

Quick Start Guide

Guía rápida de inicio

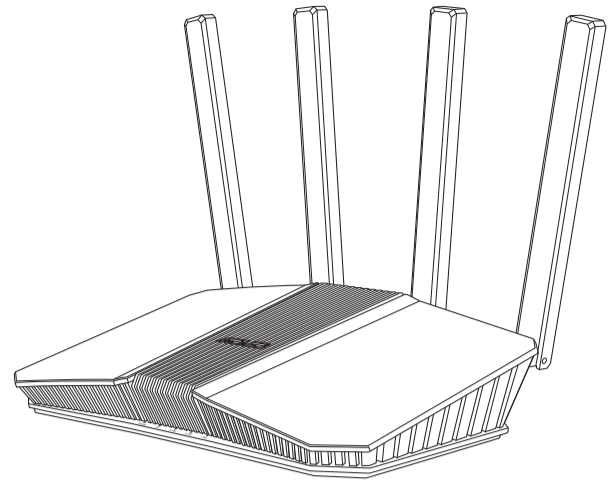
Guia de Início Rápido

RT-BE59

BE5000 Dual Band WiFi 7 Router

Enrutador WiFi 7 de doble banda BE5000

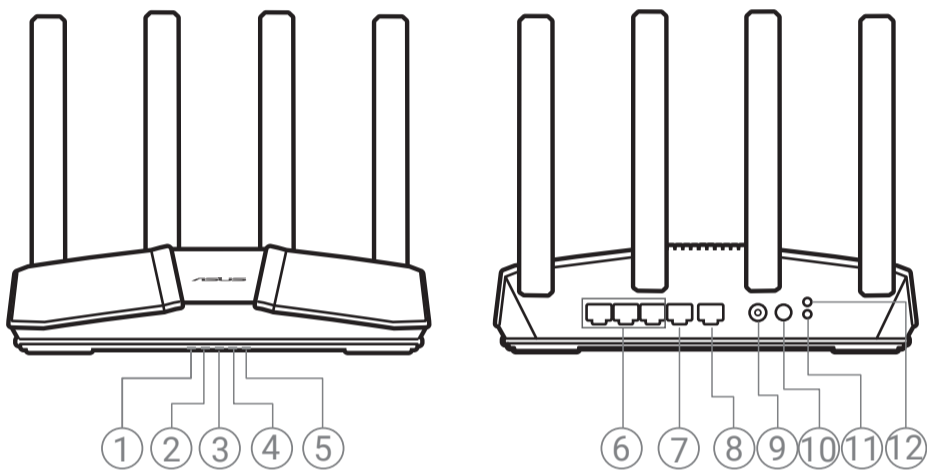
Roteador WiFi 7 de banda dupla BE5000



Product Overview & How to Setup

Descripción general del producto y cómo configurarlo

Visão geral do produto e como configurar



- | | | |
|----------------------|---------------------------------|--------------------------------------|
| ① Power LED | ① LED de encendido | ① LED de força |
| ② WAN (Internet) LED | ② WAN (Internet) LED | ② LED WAN (Internet) |
| ③ LAN LED | ③ LAN LED | ③ Indicador luminoso (LED) de LAN |
| ④ 2.4GHz LED | ④ LED de 2.4 GHz | ④ Indicador luminoso (LED) de 2,4GHz |
| ⑤ 5GHz LED | ⑤ LED de 5 GHz | ⑤ Indicador luminoso (LED) de 5GHz |
| ⑥ LAN 1~3 ports | ⑥ Puertos LAN 1~3 | ⑥ Portas LAN 1~3 |
| ⑦ 2.5G LAN port | ⑦ Puerto LAN 2.5G | ⑦ Porta LAN 2.5G |
| ⑧ 2.5G WAN port | ⑧ Puerto WAN 2.5G | ⑧ Porta WAN 2.5G |
| ⑨ Power (DCIN) port | ⑨ Puerto de Alimentación (DCIN) | ⑨ Porta de alimentação (DCIN) |
| ⑩ Power button | ⑩ Botón de encendido y apagado | ⑩ Botão liga/desliga |
| ⑪ Reset button | ⑪ Botón de reinicio | ⑪ Botão reiniciar |
| ⑫ WPS button | ⑫ Botón WPS | ⑫ Botão WPS |

1 Reboot modem and ensure its connection is ready

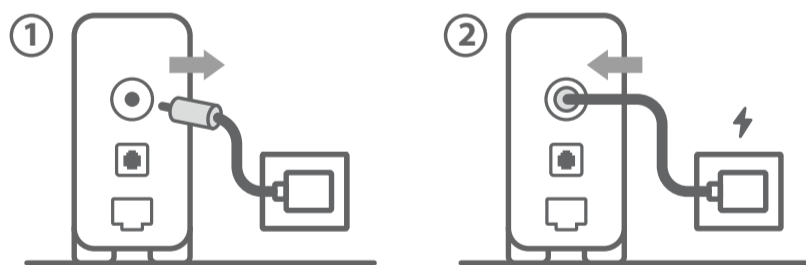
Notice: Unplug modem for 10 sec then plug back in

Reinicie el módem y asegúrese de que su conexión esté lista

Aviso: Desconecte el módem durante 10 segundos y luego vuelva a enchufarlo

Reinicie o modém e verifique se a conexão está pronta

Aviso: Desconecte o modém por 10 segundos e conecte-o novamente



2 Wired up your ASUS router, and power it on

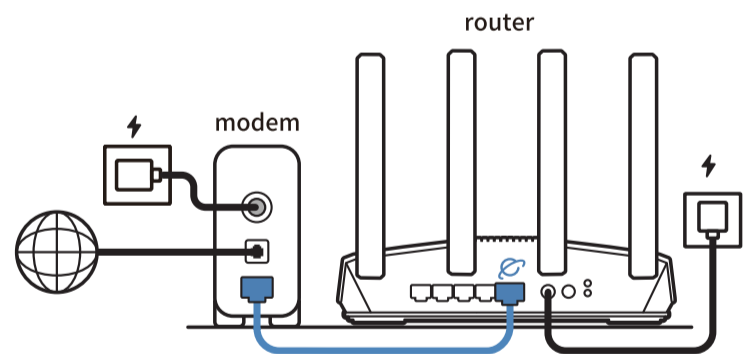
Once the WAN LED turns ON, it is ready for setup

Conecte su enrutador ASUS y enciéndalo

Una vez que el LED WAN se enciende, está listo para la configuración

Ligue o seu router ASUS e ligue-o

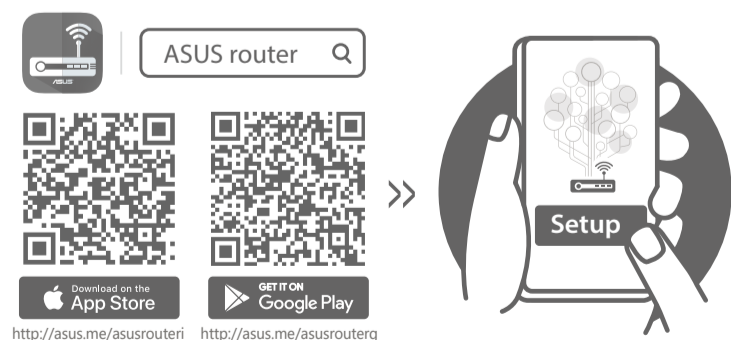
Assim que o LED WAN acender, ele estará pronto para configuração



3 Scan the code and download ASUS Router app for setup

Escanee el código y descargue la aplicación ASUS Router para la configuración

Digitalize o código e baixe o aplicativo ASUS Router para configuração



[Web] If you prefer using the Web UI, navigate to <http://www.asusrouter.com> for setup.

[Web] Si prefiere usar la interfaz de usuario de Web, vaya a <http://www.asusrouter.com> para la configuración.

[Rede] Se preferir usar a interface do usuário da Web, navegue até <http://www.asusrouter.com> para configuração.

Wi-Fi and login information

Paste the Wi-Fi and login information sticker here, and keep this information in a secure place.

Wi-Fi e información de inicio de sesión

Pegue la etiqueta de información de inicio de sesión y Wi-Fi aquí, y guarde esta información en un lugar seguro.

Wi-Fi e informações de login

Cole o adesivo de Wi-Fi e informações de login aqui, e mantenha essas informações em um local seguro.

FAQ

Where can I find more information about the wireless router?

¿Dónde puedo obtener más información sobre el router inalámbrico?

Onde posso encontrar mais informações sobre o roteador sem fio?

Service and Support
Servicio técnico y soporte
Serviço e Suporte



<https://www.asus.com/support>

Video Tutorials
Tutoriales de video
Tutoriais em vídeo



https://qr.asus.com/wl_viduetutorials

ASUS Recycling/Takeback Services

ASUS recycling and takeback programs come from our commitment to the highest standards for protecting our environment. We believe in providing solutions for you to be able to responsibly recycle our products, batteries, other components, as well as the packaging materials. Please go to <https://esg.asus.com/en/Takeback.htm> for the detailed recycling information in different regions.

REACH

Complying with the REACH (Registration, Evaluation, Authorisation, and Restriction of Chemicals) regulatory framework, we published the chemical substances in our products at ASUS REACH website at <https://esg.asus.com/Compliance.htm>

Federal Communications Commission Statement

This device complies with Part 15 of the FCC Rules. Operation is subject to the following two conditions:

- This device may not cause harmful interference.
- This device must accept any interference received, including interference that may cause undesired operation.

This equipment has been tested and found to comply with the limits for a class B digital device, pursuant to part 15 of the FCC Rules. These limits are designed to provide reasonable protection against harmful interference in a residential installation.

This equipment generates, uses and can radiate radio frequency energy and, if not installed and used in accordance with the instructions, may cause harmful interference to radio communications. However, there is no guarantee that interference will not occur in a particular installation. If this equipment does cause harmful interference to radio or television reception, which can be determined by turning the equipment off and on, the user is encouraged to try to correct the interference by one or more of the following measures:

- Reorient or relocate the receiving antenna.
- Increase the separation between the equipment and receiver.
- Connect the equipment into an outlet on a circuit different from that to which the receiver is connected.
- Consult the dealer or an experienced radio/TV technician for help.



WARNING! Any changes or modifications not expressly approved by the party responsible for compliance could void the user's authority to operate the equipment.

Prohibition of Co-location

This device and its antenna(s) must not be co-located or operating in conjunction with any other antenna or transmitter.

IMPORTANT NOTE:

Radiation Exposure Statement: This equipment complies with FCC radiation exposure limits set forth for an uncontrolled environment. End users must follow the specific operating instructions for satisfying RF exposure compliance. To maintain compliance with FCC exposure compliance requirement, please follow operation instruction as documented in this manual.



WARNING! This equipment must be installed and operated in accordance with provided instructions and the antenna(s) used for this transmitter must be installed to provide a separation distance of at least 25 cm from all persons and must not be co-located or operating in conjunction with any other antenna or transmitter.

This device is restricted for indoor use.

Compliance Statement of Innovation, Science and Economic Development Canada (ISED)

This device complies with Innovation, Science and Economic Development Canada licence exempt RSS standard(s). Operation is subject to the following two conditions: (1) this device may not cause interference, and (2) this device must accept any interference, including interference that may cause undesired operation of the device.

Operation in the band 5150–5250 MHz is only for indoor use to reduce the potential for harmful interference to co-channel mobile satellite systems.

CAN ICES (B)/NMB (B)

Radio Frequency (RF) Exposure Information

The radiated output power of the ASUS Wireless Device is below the Innovation, Science and Economic Development Canada radio frequency exposure limits. The ASUS Wireless Device should be used in such a manner such that the potential for human contact during normal operation is minimized.

This equipment should be installed and operated with a minimum distance of 30cm between the radiator any part of your body.

This device has been certified for use in Canada. Status of the listing in the Innovation, Science and Economic Development Canada's REL (Radio Equipment List) can be found at the following web address:

http://www.ic.gc.ca/eic/site/ceb-bhst.nsf/eng/h_tt00020.html

Additional Canadian information on RF exposure also can be found at the following web:

<https://www.ic.gc.ca/eic/site/smt-gst.nsf/eng/sf08792.html>

Déclaration de conformité de Innovation, Sciences et Développement économique Canada (ISED)

Le présent appareil est conforme aux CNR d'Innovation, Sciences et Développement économique Canada applicables aux appareils radio exempts de licence. L'exploitation est autorisée aux deux conditions suivantes : (1) l'appareil ne doit pas produire de brouillage, et (2) l'utilisateur de l'appareil doit accepter tout brouillage radioélectrique subi, même si le brouillage est susceptible d'en compromettre le fonctionnement.

La bande 5150 – 5250 MHz est réservée uniquement pour une utilisation à l'intérieur afin de réduire les risques de brouillage préjudiciable aux systèmes de satellites mobiles utilisant les mêmes canaux.

CAN ICES (B)/NMB (B)

Informations concernant l'exposition aux fréquences radio (RF)

La puissance de sortie émise par cet appareil sans fil est inférieure à la limite d'exposition aux fréquences radio d'Innovation, Sciences et Développement économique du Canada (ISED). Utilisez l'appareil sans fil de façon à minimiser les contacts humains lors d'un fonctionnement normal.

Cet équipement doit être installé et utilisé avec un minimum de 30cm de distance entre la source de rayonnement et votre corps.

L'utilisation de cet appareil est autorisée au Canada. Pour consulter l'entrée correspondant à l'appareil dans la liste d'équipement radio (REL - Radio Equipment List) d'Innovation, Sciences et Développement économique du Canada, rendez-vous sur : http://www.ic.gc.ca/eic/site/ceb-bhst.nsf/eng/h_tt00020.html
Pour des informations supplémentaires concernant l'exposition aux fréquences radio au Canada, rendez-

Specifications / Especificaciones / Especificações:

DC Power adapter Adaptador de Energía DC Adaptador de Energia CC	DC Output: +12V with 2A current Salida de CC: +12 V con corriente de 2 A Saída CC: +12V com corrente máxima de 2A	
Temperature Temperatura Temperatura	Operating / Operativo / Multinacional	0~40°C
	Storage / Almacenamiento / Armazenagem	0~70°C
Humidity Humedad Humidade	Operating / Operativo / Multinacional	50~90%
	Storage / Almacenamiento / Armazenagem	20~90%



For detailed information, please refer to:
Para obtener información detallada, consulte:
Para obter informações detalhadas, consulte:

https://asus.click/RT-BE59_Manual

vous sur: <https://www.ic.gc.ca/eic/site/smt-gst.nsf/eng/sf08792.html>

For indoor use only.

Pour une utilisation en intérieur uniquement.

Safety Notices

- Use this product in environments with ambient temperatures between 0°C(32°F) and 40°C(104°F).
- Refer to the rating label on the bottom of your product and ensure your power adapter complies with this rating.
- DO NOT place on uneven or unstable work surfaces. Seek servicing if the casing has been damaged.
- DO NOT place or drop objects on top and do not shove any foreign objects into the product.
- DO NOT expose to or use near liquids, rain, or moisture. DO NOT use the modem during electrical storms.
- DO NOT cover the vents on the product to prevent the system from getting overheated.
- DO NOT use damaged power cords, accessories, or other peripherals.
- If the Adapter is broken, do not try to fix it by yourself. Contact a qualified service technician or your retailer.
- To prevent electrical shock hazard, disconnect the power cable from the electrical outlet before relocating the system.
- DO NOT mount this equipment higher than 2 meters.
- The power supply cord(s) must be plugged into socket-outlet(s) that is / are provided with a suitable earth ground.
- The power adapter must comply with Limited Power Source (LPS) or PS2 requirements.

Avvertissements de sécurité

- Utilisez ce produit dans un environnement dont la température ambiante est comprise entre 0°C (32°F) et 40°C (104°F).
- Référez-vous à l'étiquette située au dessous du produit pour vérifier que l'adaptateur secteur répond aux exigences de tension.
- NE PAS placer sur une surface irrégulière ou instable. Contactez le service après-vente si le châssis a été endommagé.
- NE PAS placer, faire tomber ou insérer d'objets sur/dans le produit.
- NE PAS exposer l'appareil à la pluie ou à l'humidité, tenez-le à distance des liquides. NE PAS utiliser le modem lors d'un orage.
- NE PAS bloquer les ouvertures destinées à la ventilation du système pour éviter que celui-ci ne surchauffe.
- NE PAS utiliser de cordons d'alimentation, d'accessoires ou autres périphériques endommagés.
- Si l'adaptateur est endommagé, n'essayez pas de le réparer vous-même. Contactez un technicien électrique qualifié ou votre revendeur.
- Pour éviter tout risque de choc électrique, débranchez le câble d'alimentation de la prise électrique avant de toucher au système.
- Ne placez pas cet appareil à une hauteur supérieure à 2 mètres.
- Les cordons d'alimentation doivent être branchés sur une prise électrique correctement reliée à la terre.
- L'adaptateur secteur doit être conforme aux exigences LPS (Limited Power Source) ou PS2.

Información de seguridad

- Use este producto en entornos sometidos a una temperatura ambiente comprendida entre 0 °C (32 °F) y 40 °C (104 °F).
- Consulte la etiqueta de valores nominales situada en la parte inferior del producto y asegúrese de que su adaptador de alimentación cumple con dichos valores.
- NO coloque el equipo sobre una superficie irregular o inestable. Solicite asistencia técnica si la carcasa resulta dañada.
- NO coloque ni deje caer objetos en la parte superior del producto y no introduzca objetos extraños dentro de él.
- NO exponga el equipo a líquidos, lluvia o humedad, ni lo use cerca de ninguno de tales elementos. NO use el módem durante tormentas eléctricas.
- Para evitar que el sistema se sobrecaliente, no cubra las ranuras de ventilación del producto.
- NO cubra los orificios de ventilación del equipo de sobremesa para evitar que el sistema se caliente en exceso.
- No intente reparar la fuente de alimentación personalmente si se avería. Póngase en contacto con un técnico de mantenimiento autorizado o con su distribuidor.
- A fin de evitar posibles descargas eléctricas, desconecte el cable de alimentación de la toma de suministro eléctrico antes de cambiar la posición del sistema.
- NO monte este equipo a una altura superior a 2 metros.
- Los cables de alimentación se deben enchufar a tomas de corriente que estén provistas de una conexión a tierra adecuada.
- El adaptador de corriente debe cumplir con los requisitos de Fuente de Alimentación Limitada (LPS) o PS2.

Informações de segurança

- Utilize este equipamento em ambientes com temperaturas entre 0°C (32°F) e 40°C (104°F).
- Verifique a etiqueta relativa à tensão na parte inferior do seu dispositivo e assegure-se de que o seu transformador corresponde a essa tensão.
- NÃO coloque o computador em superfícies irregulares ou instáveis. Envie para reparação se a caixa se encontrar danificada.
- NÃO coloque nem deixe cair objetos em cima do aparelho e não introduza quaisquer objetos estranhos no produto.
- NÃO exponha o equipamento nem o utilize próximo de líquidos, chuva ou humidade. NÃO utilize o modem durante tempestades elétricas.
- NÃO tape os orifícios de ventilação do produto para impedir o sobreaquecimento do sistema.
- NÃO utilize cabos de alimentação, acessórios ou outros periféricos danificados.
- Se a fonte de alimentação estiver avariada, não tente repará-la por si próprio. Contacte um técnico qualificado ou o seu revendedor.
- Para evitar o risco de choque eléctrico, desligue o cabo de alimentação da tomada eléctrica antes de deslocar o sistema.
- NÃO instale este equipamento a uma altura superior a 2 metros.
- O(s) cabo(s) de alimentação deve(m) ser ligado(s) a tomadas elétricas com ligação à terra adequada.
- O adaptador de energia deve estar em conformidade com os requisitos de Fonte de Poder Limitada (LPS) ou PS2.