

**FORTINET**

# QuickStart Guide

FortiAP 244K

FAP-244K





## The Essentials

### Secure your Network

Register at <https://support.fortinet.com> for the latest threat protection updates

### Default Logins

 <https://192.168.1.2>  
 Username: **admin**  
 Password: **leave blank**

 <https://fortiedge.forticloud.com>  
 Username: **user-defined**  
 Password: **user-defined**

### Fortinet Documents Library

For getting started documentation admin guides, up-to-date hardware manuals and reference resources, visit <https://docs.fortinet.com/>

### FortiEdge Cloud

Experience simplified cloud provisioning, zero touch deployment, configuration management and reporting at <https://fortiedge.forticloud.com>

## Package Contents

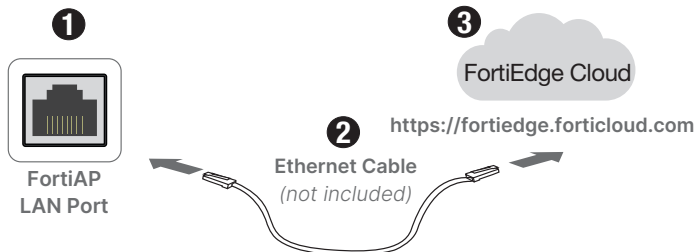
FortiAP 244K  
 FAP-244K



# Setup Options

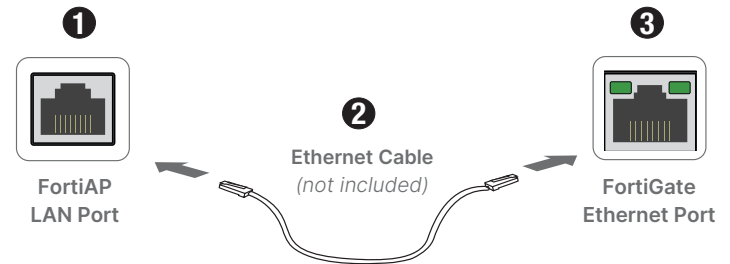
Power the FortiAP device with a PoE injector, FortiGate or FortiSwitch PoE port or the optional (not included) power adapter.

## FortiEdge Cloud



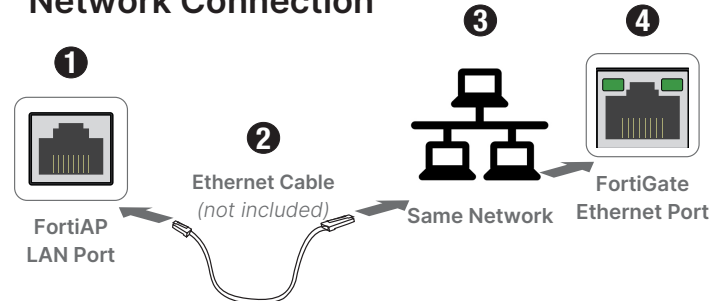
**Note:** Use your FortiCloud credentials to log in, then click Inventory, Import AP Key and enter the Cloud Key on the device sticker

## Direct Connection



**Note:** To self-configure, preauthorize the FortiAP on your FortiGate. Otherwise, once connected, wait for the FortiAP to appear on the Managed FortiAP page in FortiOS.

## Network Connection

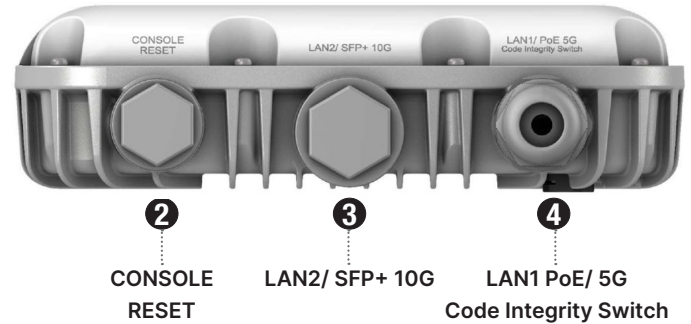


**Note:** Connect to the FortiAP using 192.168.1.2 with username *admin* and set a password. Specify the FortiGate IP using:

```
cfg -a AC_IPADDR=0.0.0.0
cfg -c
```

where 0.0.0.0 is the FortiGate IP.




## Interfaces - FAP 244K





1

### LED STATUS




#### Power

-  **Off:** Device is off
-  **Green:** Device is on; connected to a controller
-  **Amber:** Device is on; not connected to a controller




#### Code Integrity Check

-  **Green:** Officially released image
-  **Red:** Non-officially special build

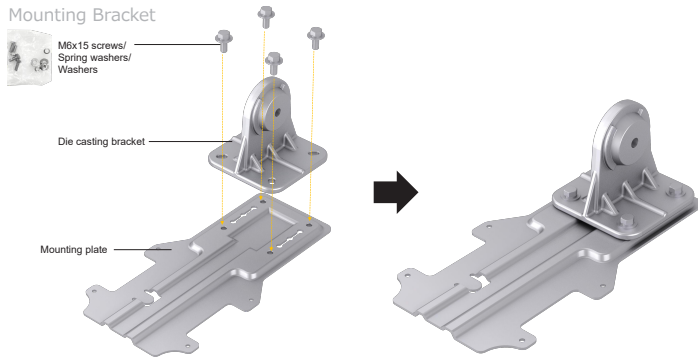
#### LAN

-  **Off:** LAN is not connected
-  **Green:** LAN is connected
-  **Blinking Green:** LAN data activity

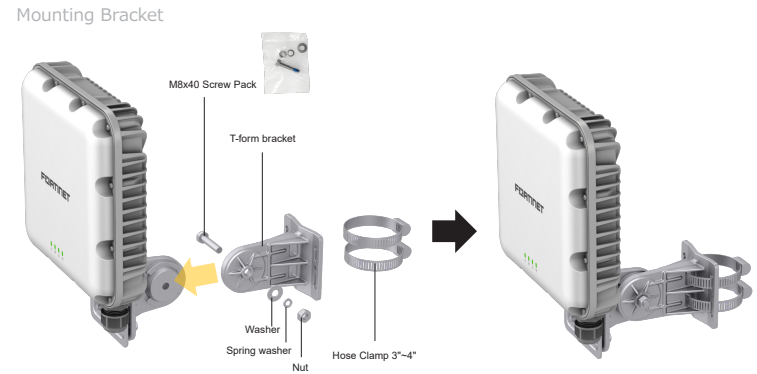
#### WiFi

-  **Off:** WiFi not broadcasting
-  **Green:** Broadcasting SSID across any radio
-  **Blinking Green:** Wireless data activity

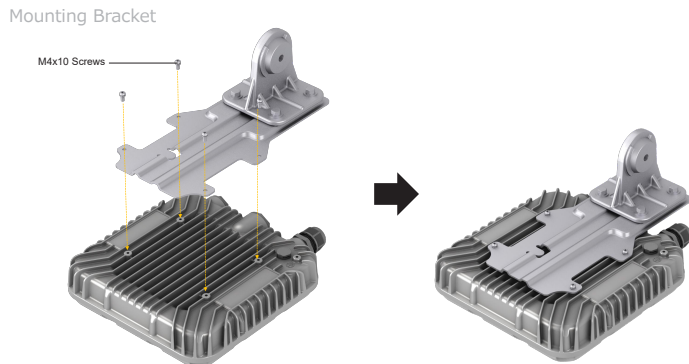
## Attach Mounting Bracket to Plate



## Assemble Mounting Bracket for Pole



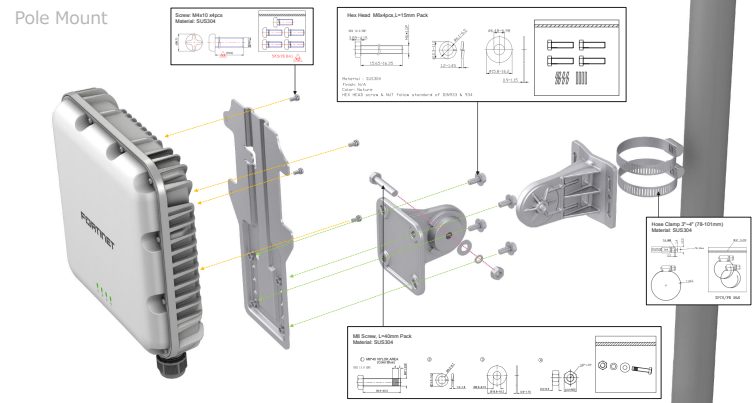
## Attach Bracket and Plate to Device



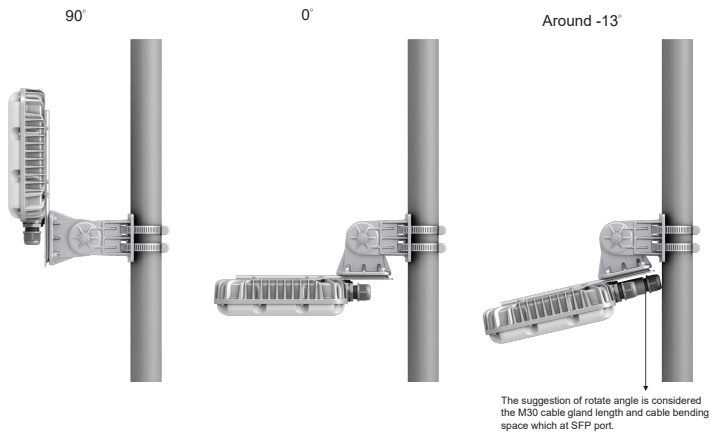
## Pole Mount



## Pole Mount Assembly

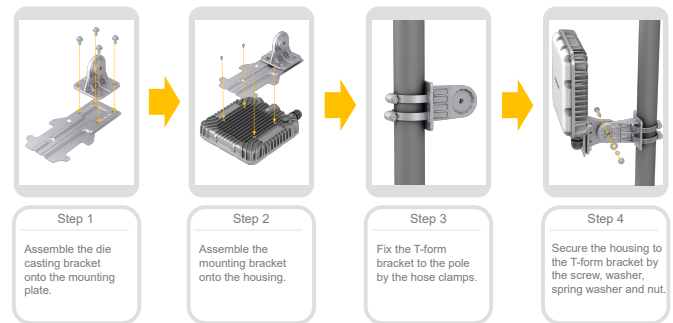


## Pole Mount Bracket Rotation



## Pole Mount Installation

Pole mount installation



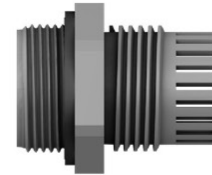


## Install Cable Gland

### Waterproof Cabling (M25)

1. Unscrew the sealing nut from the panel connector and remove the seal
2. Thread the RJ45 plug through the nuts and the seal, then the panel connector
3. Wrap the seal and claw around the cable between the sealing nut and connector
4. Insert the RJ45 plug into the port and screw the panel connector onto the threads
5. Slide the seal along the cable into the panel connector
6. Screw the sealing nut until tightening

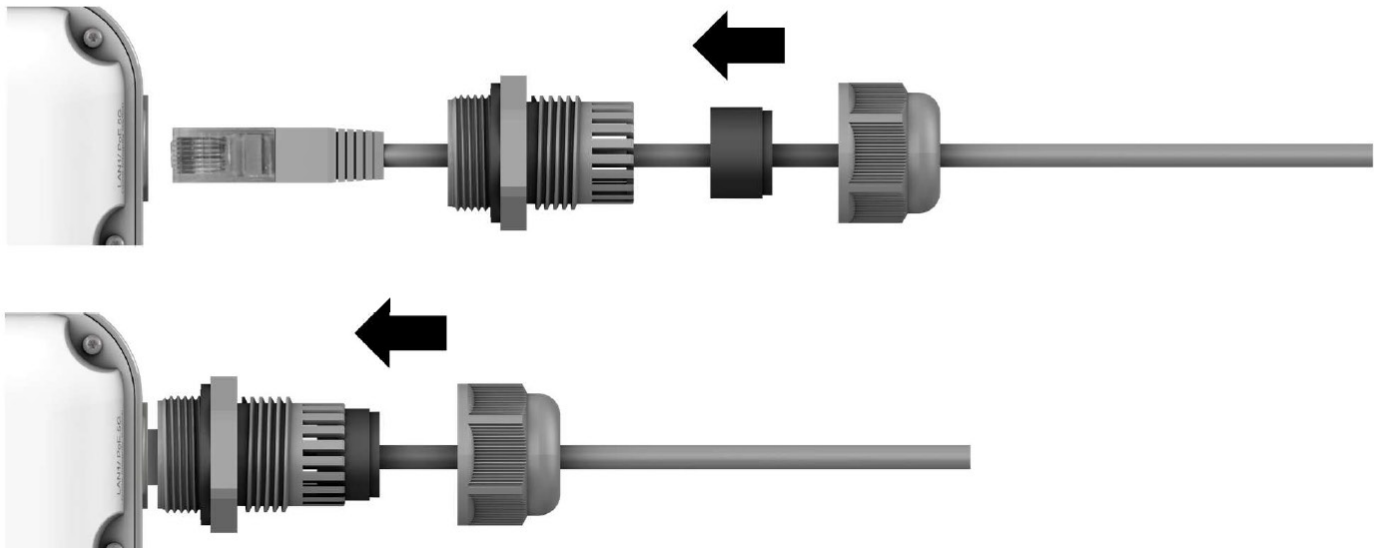
Panel connector



Seal



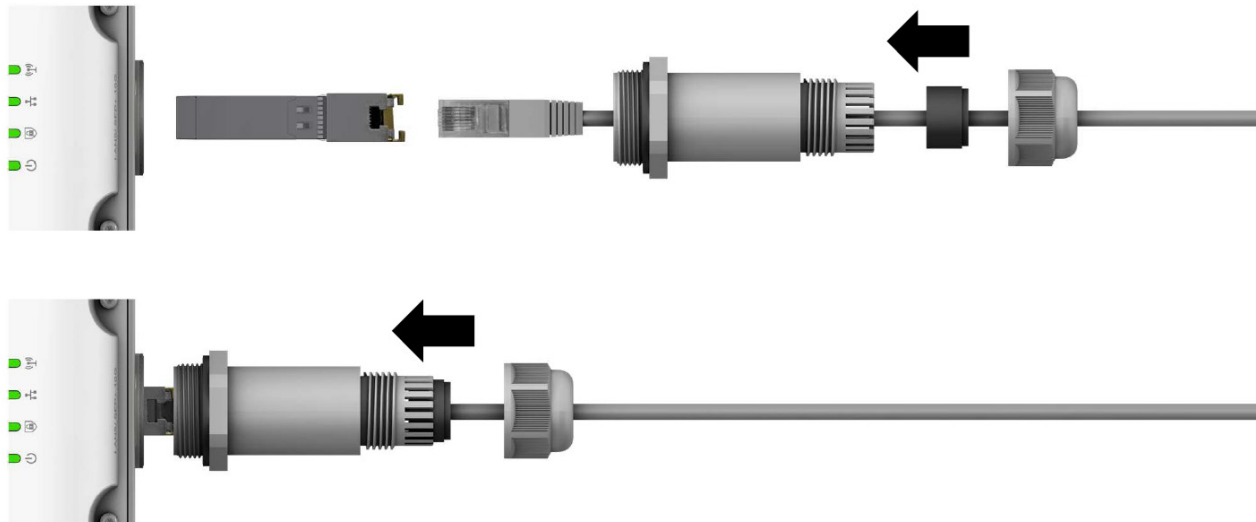
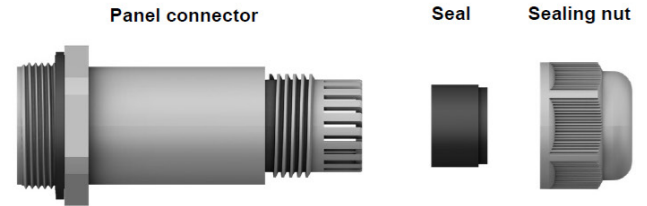
Sealing nut



## Install Cable Gland

### Waterproof Cabling (M30)

1. Unscrew the sealing nut from the panel connector and remove the seal
2. Thread the RJ45 plug through the nuts and the seal, then the panel connector
3. Wrap the seal and claw around the cable between the sealing nut and connector
4. Insert the RJ45 plug into the transceiver port and screw the panel connector onto the threads
5. Slide the seal along the cable into the panel connector
6. Screw the sealing nut until tightening



## Cautions and Warnings

### Environmental specifications

Ambient operating temperature: -40°C to 70°C

Refer to specific Product Model Data Sheet for Environmental Specifications (Operating Temperature, Storage Temperature, Humidity, and Altitude)

Référez à la Fiche Technique de ce produit pour les caractéristiques environnementales (Température de fonctionnement, température de stockage, humidité et l'altitude).

### Safety

**Warning:** Equipment intended for installation in Restricted Access Location.

**Avertissement:** Le matériel est conçu pour être installé dans un endroit où l'accès est restreint.

**Caution:** This equipment is to be used in a Network Environment 0 per IEC TR 62102. This product is connected only to PoE networks without routing to the outside plant.

**Attention:** Ce matériel doit être utilisé dans un Environnement Réseau 0 par IEC TR 62102. Ce produit est uniquement connecté aux réseaux PoE sans installation externe de routage.

This product is intended to be supplied by a Listed Direct Plug-In Power Unit marked LPS or Class 2 and rated 56Vdc, 0.535A from PoE source.

Le produit doit être alimenté par un bloc d'alimentation à courant continu homologué UL de 56Vdc, 0.535A nominal marqué LPS ou Classe 2 ou par une source d'alimentation par Ethernet de 56Vdc (PoE).

**Grounding** — To prevent damage to your equipment, connections that enter from outside the building should pass through a lightning / surge protector, and be properly grounded. Use an electrostatic discharge workstation (ESD) and/or wear an anti-static wrist strap while you work. In addition to the grounding terminal of the plug, on the back panel, there is another, separate terminal for earthing.

**Mise à la terre** — Pour éviter d'endommager votre matériel, assurez-vous que les branchements qui entrent à partir de l'extérieur du bâtiment passent par un parafoudre / parasurtenseur et sont correctement mis à la terre. Utilisez un poste de travail de décharge électrostatique (ESD) et / ou portez un bracelet anti-statique lorsque vous travaillez. Ce produit possède une borne de mise à la terre qui est prévu à l'arrière du produit, à ceci s'ajoute la mise à la terre de la prise.

This equipment is to be connected only to PoE networks (LPS) and maybe installed outdoors except the Surge Protector, the PoE Injector and its external LPS Power Supply which are intended for indoor installation only.

Ce produit doit être connecté uniquement aux réseaux POE et peut être installé à l'extérieur sauf le protecteur de surtension, l'injecteur PoE et son alimentation LPS externe qui sont destinés à une installation intérieure seulement.

Suitable for use in environmental air space in accordance with Section 300-22(C) of the National Electrical Code, and Sections 2-128, 12-010(3) and 12-100 of the Canadian Electrical Code, Part 1, CSA C22.1.

Convient pour une utilisation dans l'espace aérien conformément à l'article 300-22 (C) du Code national de l'électricité, et des articles 2-128, 12-010 (3) et 12-100 du Code de l'électricité canadien, Partie 1, CSA C22.1.

## Regulatory Notices

### Federal Communication Commission (FCC) – USA

This device complies with Part 15 of the FCC Rules. Operation is subject to the following two conditions:

- (1) this device may not cause harmful interference, and
- (2) this device must accept any interference received, including interference that may cause undesired operation.

This equipment has been tested and found to comply with the limits for a Class B digital device, pursuant to Part 15 of the FCC Rules. These limits are designed to provide reasonable protection against harmful interference in residential installation. This equipment generates, uses, and can radiate radio frequency energy, and if it is not installed and used in accordance with the instruction manual, it may cause harmful interference to radio communications. However, there is no guarantee that interference will not occur in a particular installation. If this equipment does cause harmful interference to radio or television reception, which can be determined by turning the equipment off and on, the user is encouraged to try to correct the interference by one or more of the following measures:

- Reorient or relocate the receiving antenna.
- Increase the separation between the equipment and receiver.
- Connect the equipment into an outlet on a circuit different from that to which the receiver is connected.
- Consult the dealer or an experienced radio/TV technician for help.

**WARNING:** Any changes or modifications to this unit not expressly approved by the party responsible for compliance could void the user's authority to operate the equipment

This equipment complies with FCC radiation exposure limits set forth for an uncontrolled environment. This equipment should be installed and operated with minimum distance 20cm between the radiator and your body. This transmitter must not be co-located or operating in conjunction with any other antenna or transmitter.

This device meets all the other requirements specified in Part 15E, Section 15.407 of the FCC Rules.

The operation of this device is prohibited on oil platforms, cars, trains, boats, and aircraft, except that operation of this device is permitted in large aircraft while flying above 10000 feet.

Operation of transmitters in the 5.925-7.125 GHz band is prohibited for control of or communications with unmanned aircraft systems.

### Innovation, Science and Economic Development (ISED) – Canada

This Class B digital apparatus complies with Canadian ICES-003.

Cet appareil numérique de la classe B est conforme à la norme NMB-003 du Canada.

This device contains licence-exempt transmitter(s)/receiver(s) that comply with Innovation, Science and Economic Development Canada's licence-exempt RSS(s). Operation is subject to the following two conditions:

1. This device may not cause interference.
2. This device must accept any interference, including interference that may cause undesired operation of the device.

L'émetteur/récepteur exempt de licence contenu dans le présent appareil est conforme aux CNR d'Innovation, Sciences et Développement économique Canada applicables aux appareils radio exempts de licence. L'exploitation est soumise aux deux conditions suivantes:

1. L'appareil ne doit pas produire de brouillage;
2. L'appareil doit accepter tout brouillage radioélectrique subi, même si le brouillage est susceptible d'en compromettre le fonctionnement.

For products available in the USA/Canada market, only channel 1-11 can be operated. Selection of other channels is not possible.

Pour les produits disponibles sur le marché des États-Unis/Canada, seuls les canaux 1 à 11 peuvent être utilisés. La sélection d'autres canaux n'est pas possible.

This equipment complies with ISED radiation exposure limits set forth for an uncontrolled environment. This equipment should be installed and operated with minimum distance 20cm between the radiator and your body.

Cet équipement est conforme aux limites d'exposition aux rayonnements ISED établies pour un environnement non contrôlé. Cet équipement doit être installé et utilisé avec un minimum de 20cm de distance entre la source de rayonnement et votre corps.

The maximum antenna gain permitted for devices in the band 5725-5850 MHz shall be such that the equipment still complies with the e.i.r.p. limits specified for point-to-point and non-point-to-point operation as appropriate.

Le gain maximal d'antenne permis (pour les appareils utilisant la bande 5725-5850 MHz) doit se conformer à la limite de p.i.r.e. spécifiée pour l'exploitation point à point et non point à point, selon le cas.

The maximum antenna gain permitted for devices in the bands 5250-5350 MHz and 5470-5725 MHz shall comply with the e.i.r.p. limit; and

Le gain maximal d'antenne permis pour les appareils utilisant les bandes 5250-5350 MHz et 5470-5725 MHz doit se conformer à la limite de p.i.r.e.;

The worst-case tilt angle(s) necessary to remain compliant with the e.i.r.p. elevation mask requirement set forth in Section 6.2.2(3) shall be clearly indicated.

Les angles d'inclinaison maximaux nécessaires pour rester conformes à l'exigence du masque d'élévation de la p.i.r.e. énoncée à la section 6.2.2(3) doivent être clairement indiqués.

Caution: The maximum antenna gain permitted for devices in the bands 5250-5350 MHz and 5470-5725 MHz shall comply with the e.i.r.p. limit; and the maximum antenna gain permitted for devices in the band 5725-5825 MHz shall comply with the e.i.r.p. limits specified for point-to-point and non point-to-point operation as appropriate.

Attention: Le gain maximal d'antenne permis pour les appareils utilisant les bandes 5 250-5 350 MHz et 5 470-5 725 MHz doit se conformer à la limite de p.i.r.e.; le gain maximal d'antenne permis (pour les dispositifs utilisant la bande 5 725-5 825 MHz) doit se conformer à la limite de p.i.r.e. spécifiée pour l'exploitation point à point et non point à point, selon le cas.

This radio transmitter has been approved by ISED to operate with the antenna types listed below with the maximum permissible gain and required antenna impedance for each antenna type indicated. Antenna types not included in this list, having a gain greater than the maximum gain indicated for that type, are strictly prohibited for use with this device.

Ce transmetteur radio a été approuvé par ISED pour fonctionner avec les types d'antennes énumérés ci-dessous, chacun avec le gain maximal admissible et l'impédance d'antenne requise spécifiés pour chaque type. Les types d'antennes ne figurant pas dans cette liste, ou ayant un gain supérieur au gain maximal indiqué pour ce type, sont strictement interdits pour une utilisation avec cet appareil.

This device and it's antennas(s) must not be co-located or operating in conjunction with any other antenna or transmitter except in accordance with IC multi-transmitter product procedures.

Cet appareil et son (ses) antenne(s) ne doivent pas être installés ou utilisés conjointement avec une autre antenne ou un autre émetteur, sauf conformément aux procédures de produit multi-émetteurs de l'IC.

**IMPORTANT: The device must be professionally installed and must use the supplied antenna.**

#### Professional Installation Instruction

1. Installation personnel  
This product is designed for specific application and needs to be installed by qualified personnel who has RF and related rule knowledge. The general user shall not attempt to install or change the settings.
2. Installation location  
The product shall be installed at a location where the radiating antenna can be kept 20cm from nearby person in normal operation condition to meet Regulatory RF exposure requirement. The installation applies to both indoor and outdoor location.
3. External antenna(s)  
Use only the antenna(s) that have been approved by the manufacturer. The non-approved antenna(s) may produce unwanted spurious or excessive RF transmitting power that may lead to the violation of FCC/ISED limit and is prohibited.
4. Warning  
Please carefully select the installation position and ensure that the final output power does not exceed the limit set forth in relevant rules. The violation of the rule could lead to serious federal penalty.

**IMPORTANT: L'appareil doit être installé par un professionnel et doit utiliser l'antenne fournie.**

#### Instructions d'installation professionnelle

1. Installation  
Ce produit est conçu pour une application spécifique et doit être installé par du personnel qualifié possédant des connaissances en radiofréquence (RF) et en réglementation associée. L'utilisateur général ne doit pas tenter d'installer ou de modifier les paramètres.
2. Emplacement d'installation  
Le produit doit être installé à un emplacement où l'antenne rayonnante peut être maintenue à une distance de ??? cm des personnes à proximité en condition normale de fonctionnement afin de respecter les exigences réglementaires en matière d'exposition aux radiofréquences (RF). Cette installation s'applique aussi bien aux emplacements intérieurs qu'extérieurs.
3. Antenne externe (s)  
Utiliser uniquement l'antenne (s) approuvées par le fabricant. Les antennes non approuvées peuvent générer des émissions parasites ou une puissance RF excessive, ce qui pourrait entraîner une violation des limites FCC/ISED et est interdit.
4. Avertissement  
Veuillez choisir soigneusement l'emplacement d'installation et vous assurer que la puissance de sortie finale ne dépasse pas la limite fixée par les règles applicables. Le non-respect de ces règles peut entraîner de lourdes sanctions fédérales.

#### European Conformity (CE) – EU

This is a Class B product. In a domestic environment, this product may cause radio interference, in which case the user may be required to take adequate measures.



This equipment should be installed and operated with minimum distance 20cm between the radiator and your body.

#### Simplified EU Declaration of Conformity

This declaration is only valid for Fortinet products (including, combinations of software, firmware and hardware) provided by Fortinet or Fortinet's authorized partners to the end customer directly for use within the EU or countries that have implemented the EU Directives and/or spectrum regulation. Any Fortinet products not obtained directly from Fortinet or Fortinet's authorized partners may not comply with EU Directives and Fortinet makes no assurances for such products.

##### Български

Този продукт е в съответствие с Директива 2014/53/ЕС.

##### Česky

Tento produkt je v souladu se směrnici 2014/53/EU.

##### Dansk

Denne produkt er i overensstemmelse med direktiv 2014/53/EU.

##### Deutsch

Dieses Produkt entspricht der Richtlinie 2014/53/EU.

##### Eesti

See toode vastab direktiivile 2014/53/EL.

##### English

This product is in compliance with Directive 2014/53/EU.

##### Español

Este producto cumple con la Directiva 2014/53/UE.

##### Ελληνική

Το προϊόν αυτό συμμορφώνεται με την Οδηγία 2014/53/ΕΕ.

##### Français

Ce produit est conforme à la Directive 2014/53/UE.

**Hrvatski**

Ovaj proizvod je u skladu s Direktivom 2014/53/EU.

**Italiano**

Questo prodotto è conforme alla Direttiva 2014/53/EU.

**Latviski**

Šis produkts atbilst Direktīvai 2014/53/EU.

**Lietuvių**

Šis gaminyš atitinka direktyvą 2014/53/ES.

**Malti**

Dan il-prodott huwa konformi mad-Direttiva 2014/53/UE.

**Magyar**

Ez za termék megfelel a 2014/53/EU irányelvnek.

**Nederlands**

Dit product is in overeenstemming met Richtlijn 2014/53/EU.

**Norsk**

Denne produktet er i samsvar med direktiv 2014/53/EU.

**Polski**

Ten produkt jest zgodny z dyrektywą 2014/53/UE.

**Português**

Este produto está em conformidade com a Diretiva 2014/53/UE.

**Rumunski**

Acest produs este în conformitate cu Directiva 2014/53/UE.

**Slovensky**

Tento produkt je v súlade so smernicou 2014/53/EÚ.

**Slovensko**

Ta izdelek je v skladu z Direktivo 2014/53/EU.

**Suomi**

Tämä tuote on direktiivin 2014/53/EU mukainen.


**Svenska**

Denna produkt överensstämmer med direktiv 2014/53/EU.

Note: The full declaration of conformity for this product is available at the link below:

<https://site.fortinet.com/ProductRegulatory/EU>

The device is restricted to indoor use only when operating in the 5150 to 5350 MHz frequency range in the following countries:

	AT	BE	BG	HR	CY	CZ	DK
	EE	FI	FR	DE	EL	HU	IE
	IT	LV	LT	LU	MT	NL	PL
	PT	RO	SK	SI	ES	SE	UK(NI)

**Compliance with 2014/53/EU Radio Equipment Directive (RED)**

In accordance with Article 10.8(a) and 10.8(b) of the RED, the following table provides information on the frequency bands used and the maximum RF transmit power of the product for sale in the EU:

The product transmits within the frequency ranges and less than or equal to the power listed below:

2402-2480MHz less than 20dBm  
 2405-2480MHz less than 20dBm  
 2412-2472MHz less than 20dBm  
 5180-5240MHz less than 23dBm  
 5260-5320MHz less than 23dBm \*  
 5500-5700MHz less than 30dBm \*  
 5725-5875MHz less than 14dBm  
 5955-6415MHz less than 23dBm

Note: \* Only with DFS bands certification.

This equipment should be installed and operated with minimum distance 20cm between the radiator and your body.

**UK Conformity Assessed (UKCA) – United Kingdom**

The product transmits within the frequency ranges and less than or equal to the power listed below:

2402-2480MHz less than 20dBm  
 2405-2480MHz less than 20dBm  
 2412-2472MHz less than 20dBm  
 5180-5240MHz less than 23dBm  
 5260-5320MHz less than 23dBm \*  
 5500-5700MHz less than 30dBm \*  
 5725-5875MHz less than 14dBm  
 5955-6415MHz less than 23dBm

Note: \* Only with DFS bands certification.

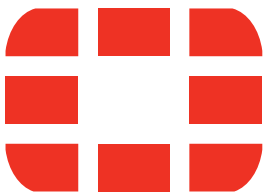
This equipment should be installed and operated with minimum distance 20cm between the radiator and your body.

This product is in compliance with **Statutory Instrument 1206 Radio Equipment Regulations 2017**

The full Declaration of Conformity for this product is available in the link below:

<https://site.fortinet.com/ProductRegulatory/UK>





November 25, 2025

Copyright © 2025 Fortinet, Inc. All rights reserved. Fortinet®, FortiGate®, FortiCare® and FortiGuard®, and certain other marks are registered trademarks of Fortinet, Inc., and other Fortinet names herein may also be registered and/or common law trademarks of Fortinet. All other product or company names may be trademarks of their respective owners. Performance and other metrics contained herein were attained in internal lab tests under ideal conditions, and actual performance and other results may vary. Network variables, different network environments and other conditions may affect performance results. Nothing herein represents any binding commitment by Fortinet, and Fortinet disclaims all warranties, whether express or implied, except to the extent Fortinet enters a binding written contract, signed by Fortinet's SVP Legal and above, with a purchaser that expressly warrants that the identified product will perform according to certain expressly-identified performance metrics and, in such event, only the specific performance metrics expressly identified in such binding written contract shall be binding on Fortinet. For absolute clarity, any such warranty will be limited to performance in the same ideal conditions as in Fortinet's internal lab tests. Fortinet disclaims in full any covenants, representations, and guarantees pursuant hereto, whether express or implied. Fortinet reserves the right to change, modify, transfer, or otherwise revise this publication without notice, and the most current version of the publication shall be applicable.

For Product License Agreement / EULA and Warranty Terms, visit  
<https://www.fortinet.com/content/dam/fortinet/assets/legal/EULA.pdf>

FAP-244K-QSG-20251125

