

D L I T E

User Manual

D L I T E

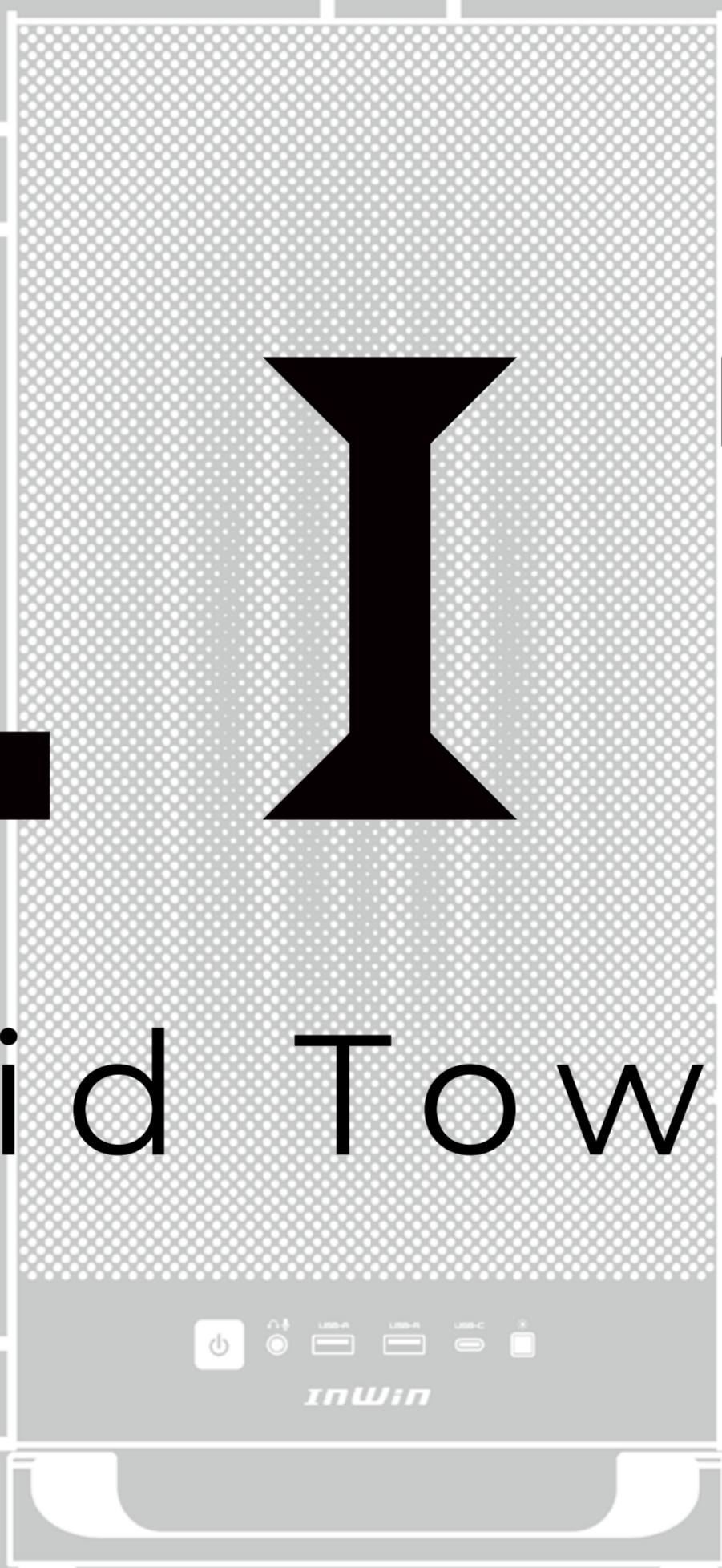
D L I T E

D L I T E

D L I T E

D L I T E

D L I T E



Mid Tower

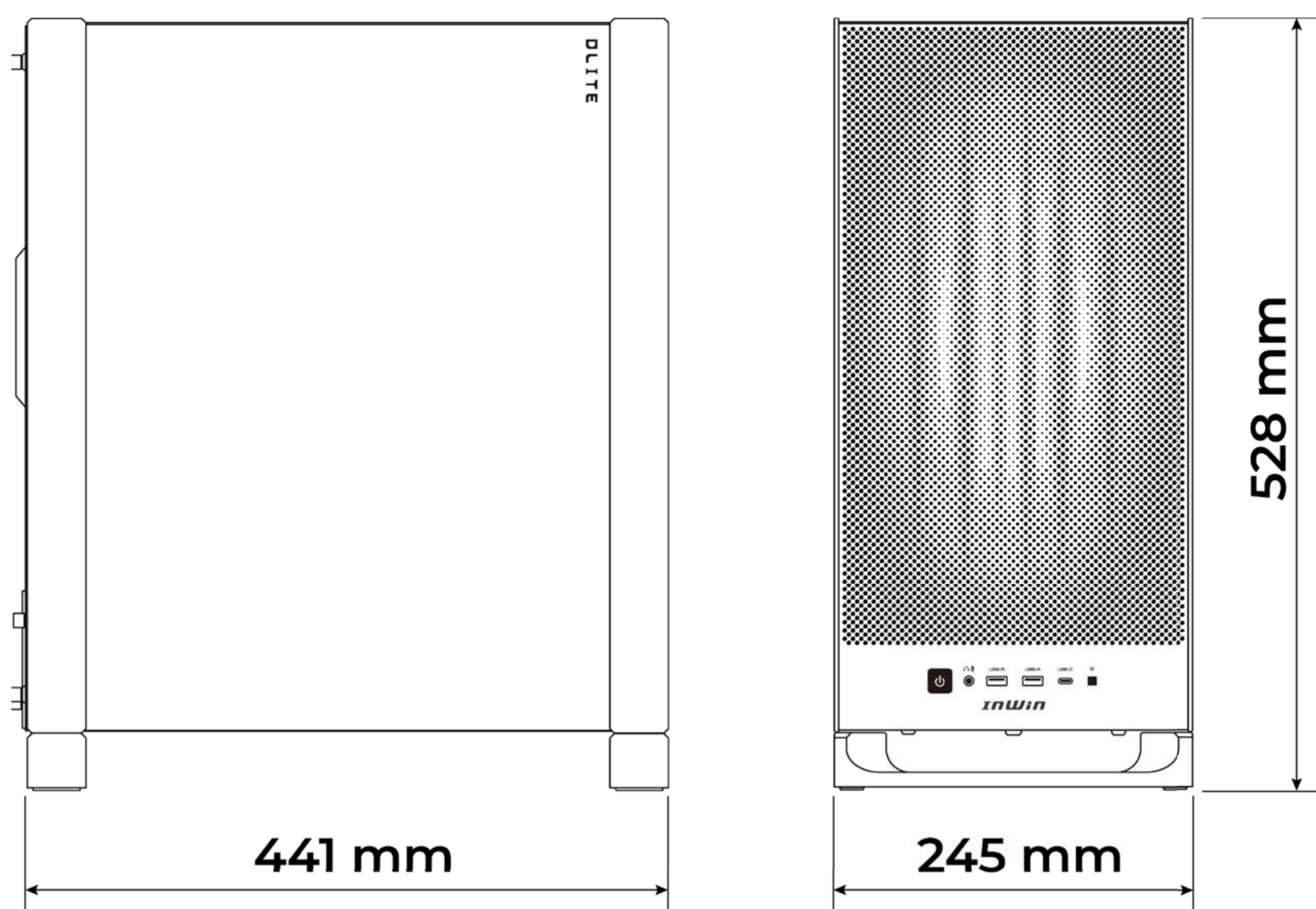


DLITE Product Video:



DLITE Installation Guide Video:

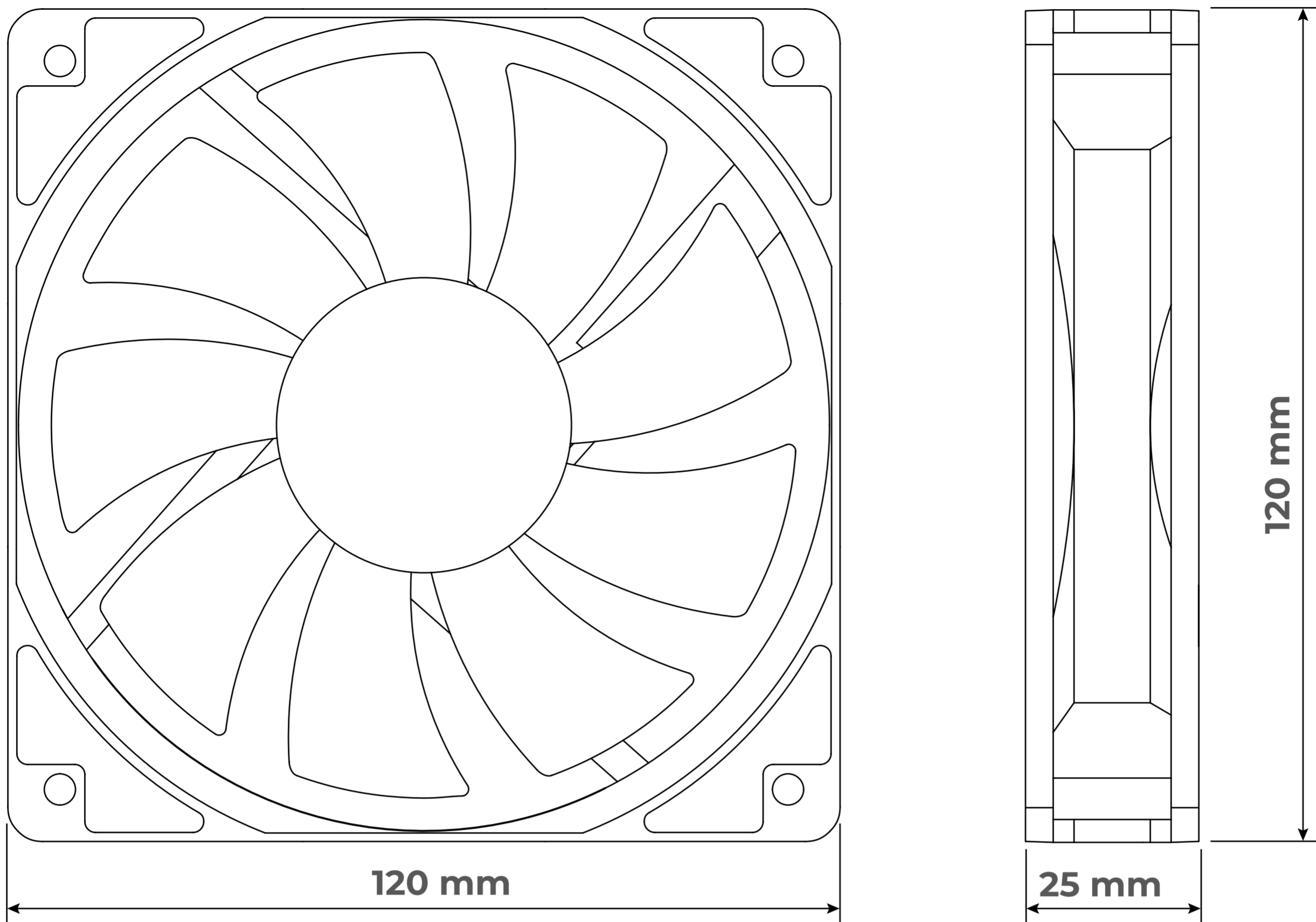
Specifications



Model	DLITE	
Model Number	IW-CS-DLITEBRO-4XM120	IW-CS-DLITEPUR-4XM120
Colors	Mocha Bronze	Lilac Silver
Case Type	Mid Tower	
Materials	SPCC, Tempered Glass, Aluminium, ABS	
M/B Compatibility	ATX, Micro-ATX, Mini-ITX	
Expansion Slots	8 x PCIe	
Maximum Compatibility	GPU Length: 380 mm CPU Heatsink Height: 165 mm	
I/O Ports	1 x USB 3.2 Gen 2x2 Type-C 2 x USB 3.2 Gen 1 HD Audio (CTIA - SPK/MIC) LED Lighting Control Switch Power Button	
Internal Drive Bays	2 x 3.5" / 2 x 2.5"	
Thermal Solution Compatibility	Air Cooling Fans: Front: 3 x 120 mm (XM120 Pre-installed) Top: 3 x 120 / 2 x 140 mm Rear: 1 x 120 / 140 mm (XM120 Pre-installed) Bottom: 2 x 120 mm (Optional) Side: 3 x 120 mm Water Cooling Radiator: Front: 1 x 360 mm Top: 1 x 280 / 360 mm Rear: 120 mm	
Power Supply Compatibility	PSII : ATX12V - Length up to 200 mm	
Product Dimensions (L x W x H)	441 x 245 x 528 mm 17.4 x 9.6 x 20.8"	
Package Dimensions (L x W x H)	595 x 323 x 550 mm 23.4 x 12.7 x 21.7"	
Net Weight	9.25 kg / 20.4 lb	
Gross Weight	10.7 kg / 20.6 lb	

* InWin's products comply with RoHS regulation.
* Specifications may vary based on different regions.

Specifications

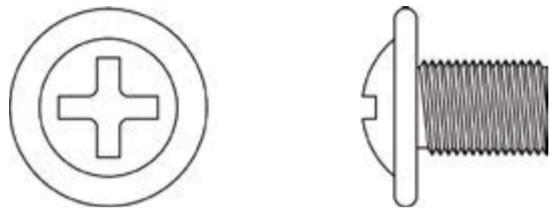


Model	XM120
Colors	Black
Fan Size	120 x 120 x 25 mm
Materials	PBT, PC
Rated Voltage	DC 12V
Rated Power	3W
Rated Current	0.25A
ARGB Rated Voltage	DC 5V
ARGB Rated Power	0.6W
ARGB Rated Current	0.12A
Speed Mode	PWM 850 - 1500 RPM
Air Flow	63.83 CFM
Air Pressure	1.29 mm / H2O
LED	Addressable RGB
Connector to M/B	4-Pin (12V, PWM), 3-Pin (5V, ARGB)
Noise Level	30.7 dB(A)
Bearing Type	Hydro Bearing

* InWin's products comply with RoHS regulation.

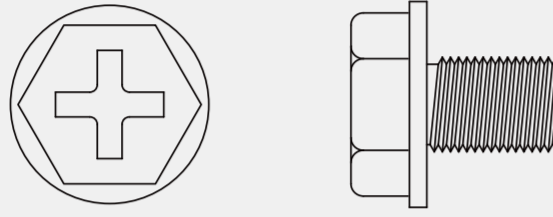
* Specifications may vary based on different regions

Accessories Bag



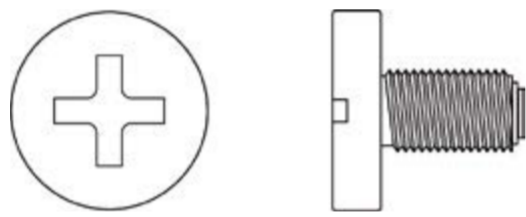
***23**

Motherboard Screws
2.5" SSD Screws
PCIe Riser Cable Screws



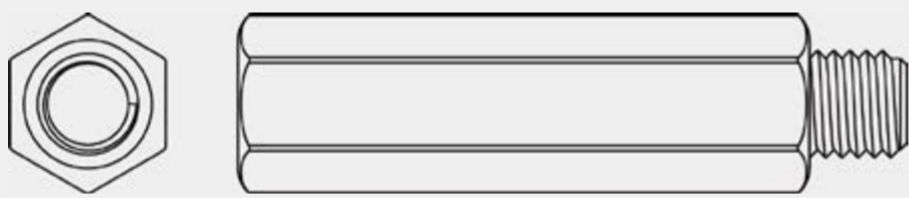
***4**

PSU Screws



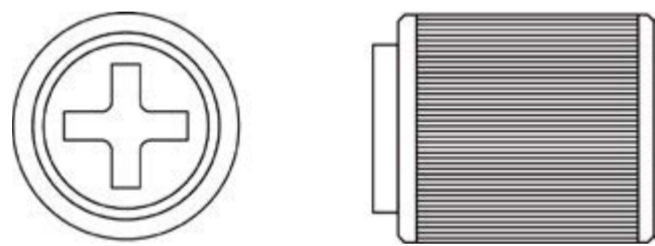
***8**

3.5" HDD Screws



***2**

PCIe Riser
Cable Stand-Offs



***1**

Stand-Offs Socket



***6**

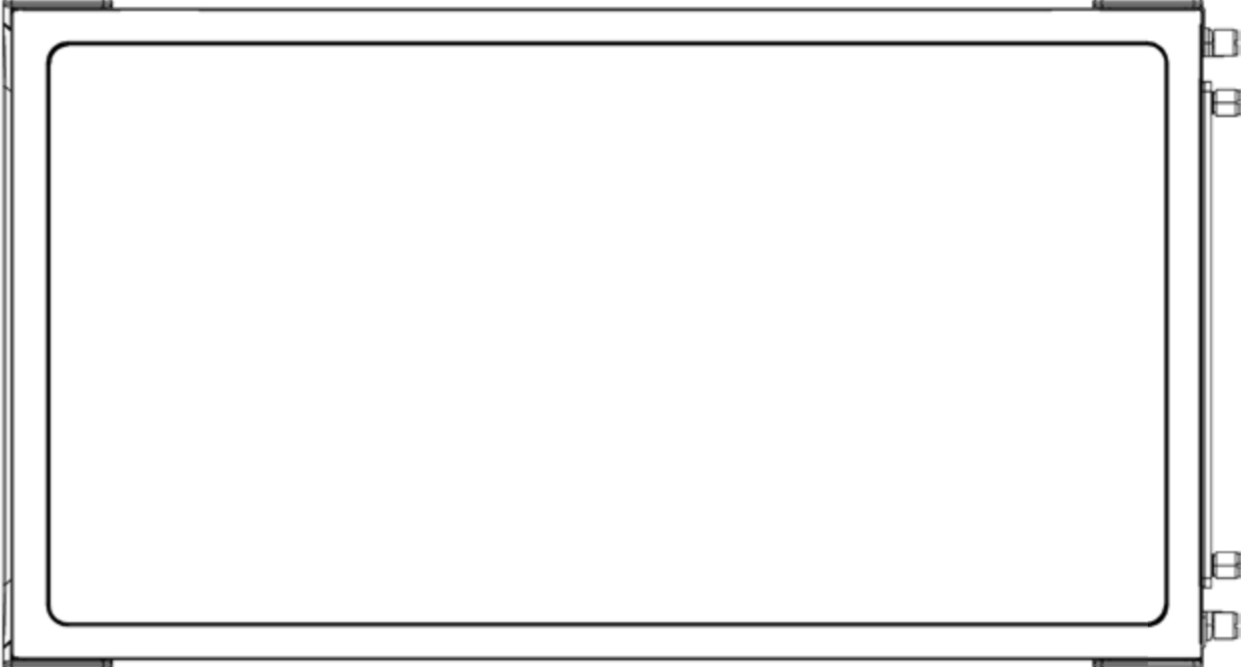
Cable Ties



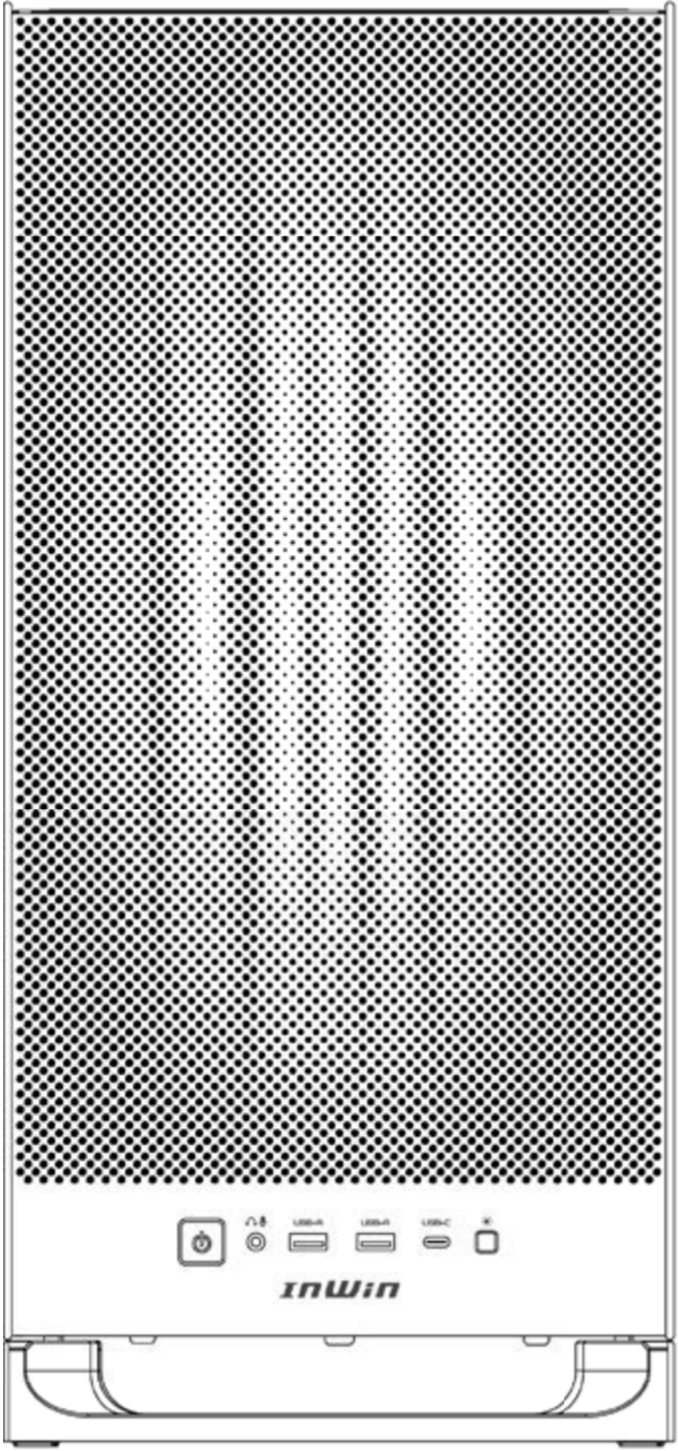
***1**

QR Code Card

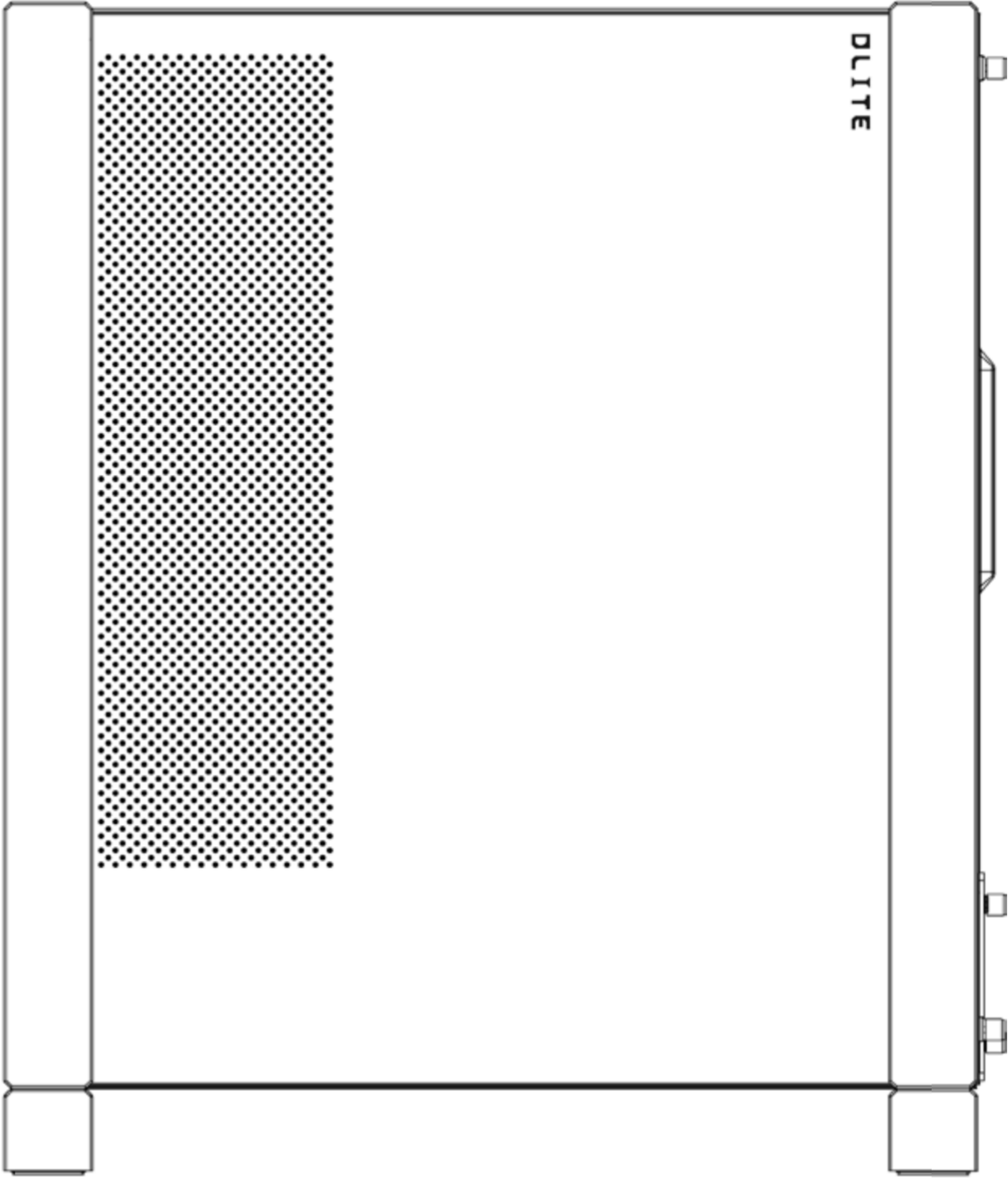
Case Structure



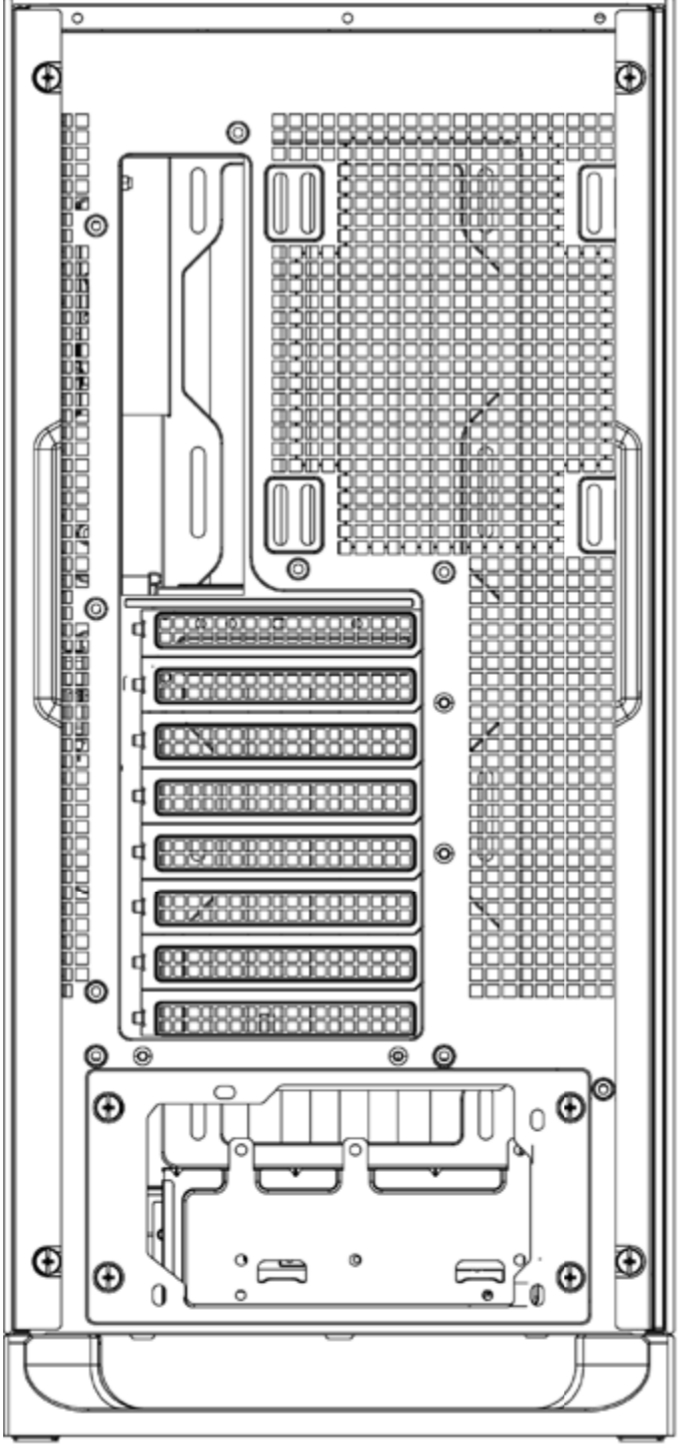
Top



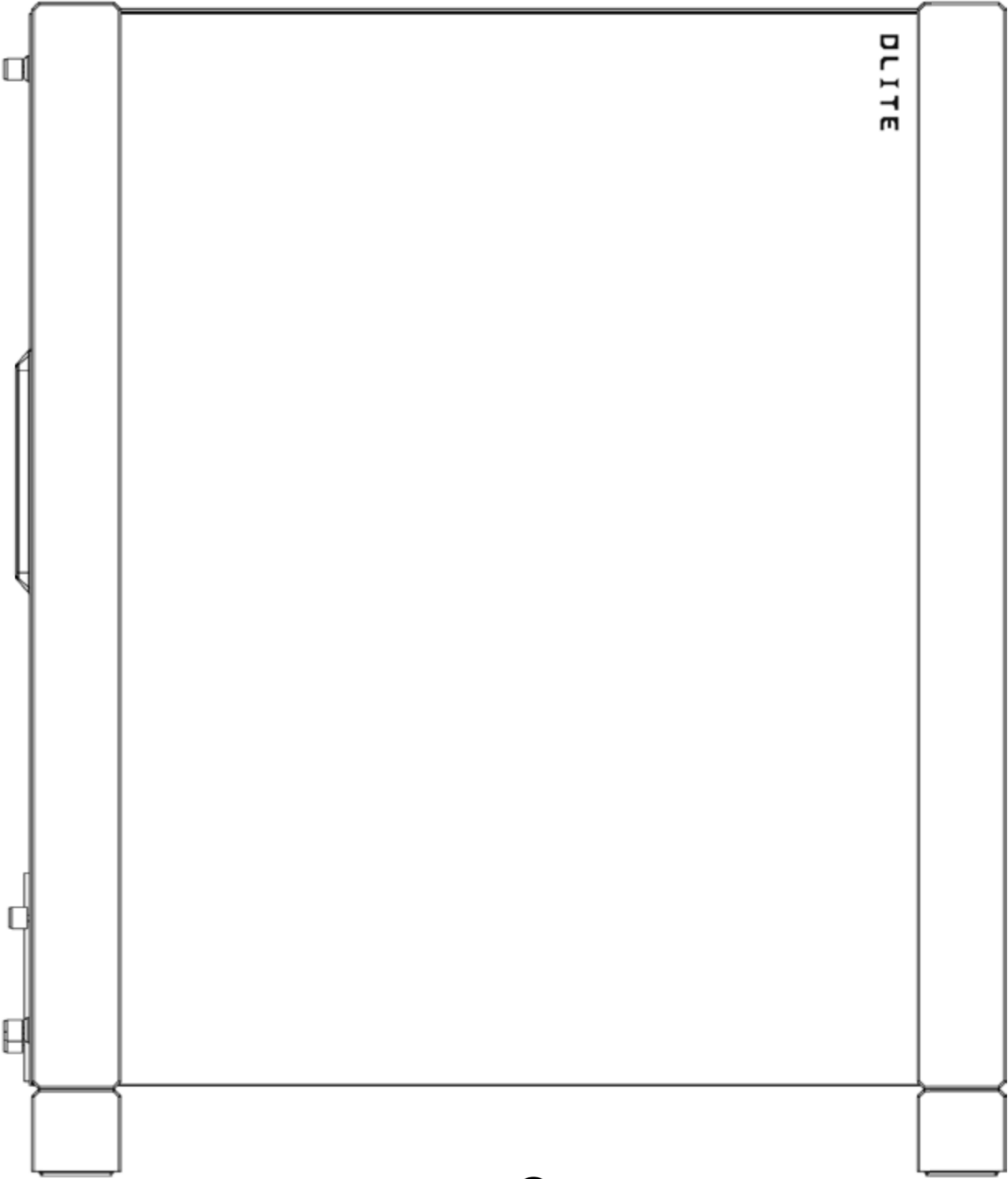
Front



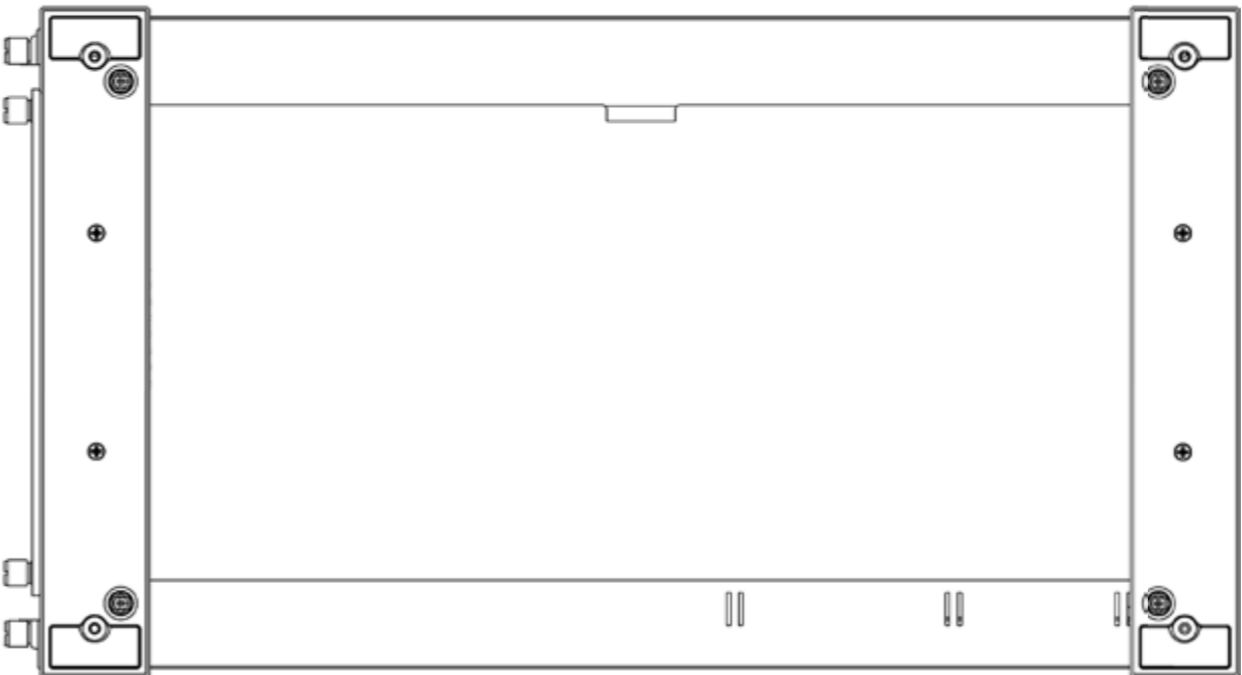
Right



Rear

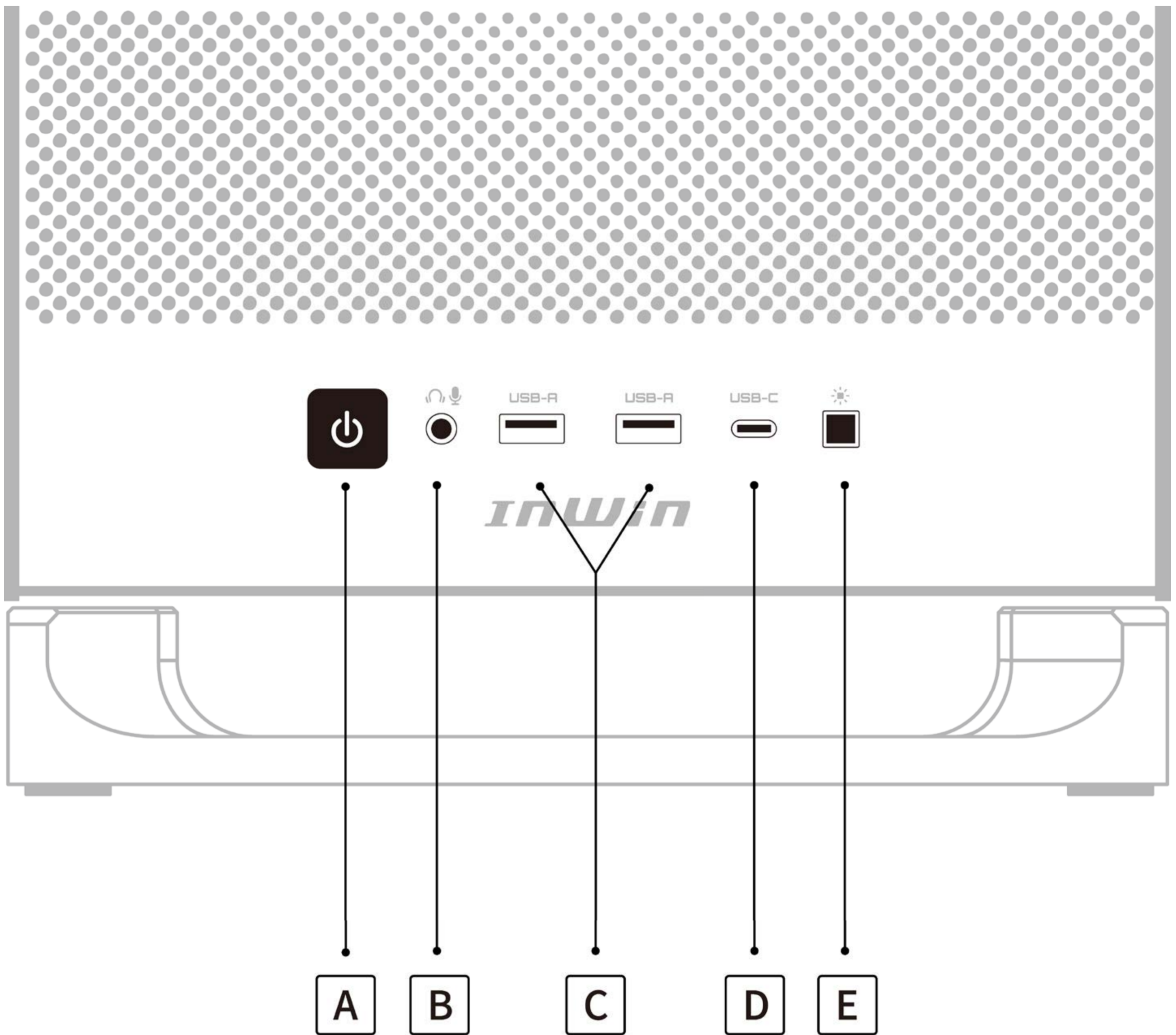


Left



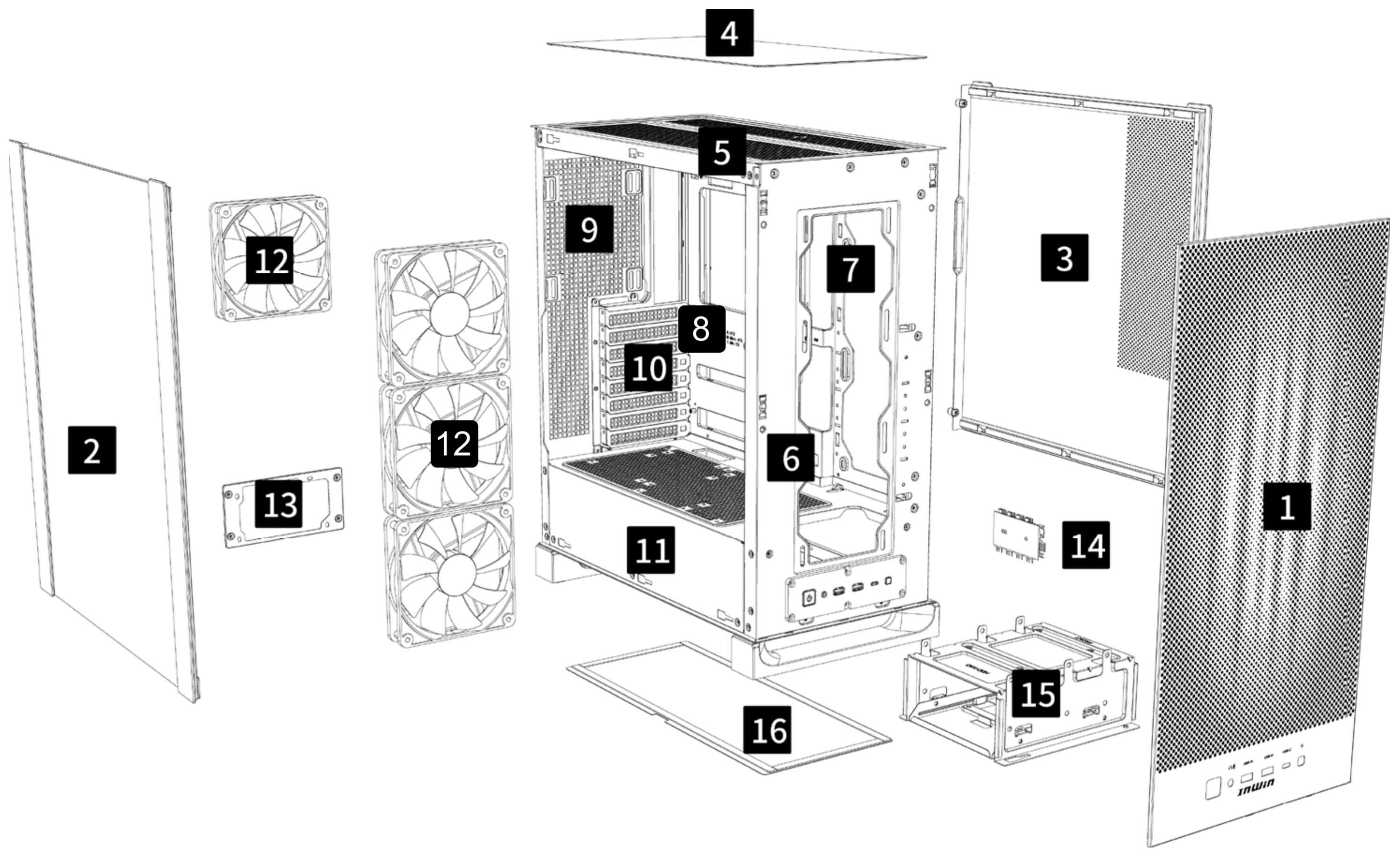
Bottom

Case Structure



- A** Power Button
- B** HD Audio Combo (CTIA – SPK/Mic)
- C** USB 3.2 Gen 1
- D** USB 3.2 Gen 2 x 2 Type-C
- E** LED Lighting Control Switch

Case Structure



1 Mesh Front Panel

2 Tempered Glass Side Panel

3 SPCC Side Panel

4 Top Anti-Dust Filter

5 Top Fans / Radiator Mounting Area

6 Front Fans / Radiator Mounting Area
(3 InWin XM120 Fans Pre-Installed)

7 Side Fans / Radiator Mounting Area

8 Motherboard Mounting Area

9 Rear Fans / Radiator Mounting Area
(1 InWin XM120 Fan Pre-Installed)

10 PCIe Expansion Slots

11 Power Supply Mounting Area

12 InWin XM120 Fan

13 PSU Bracket

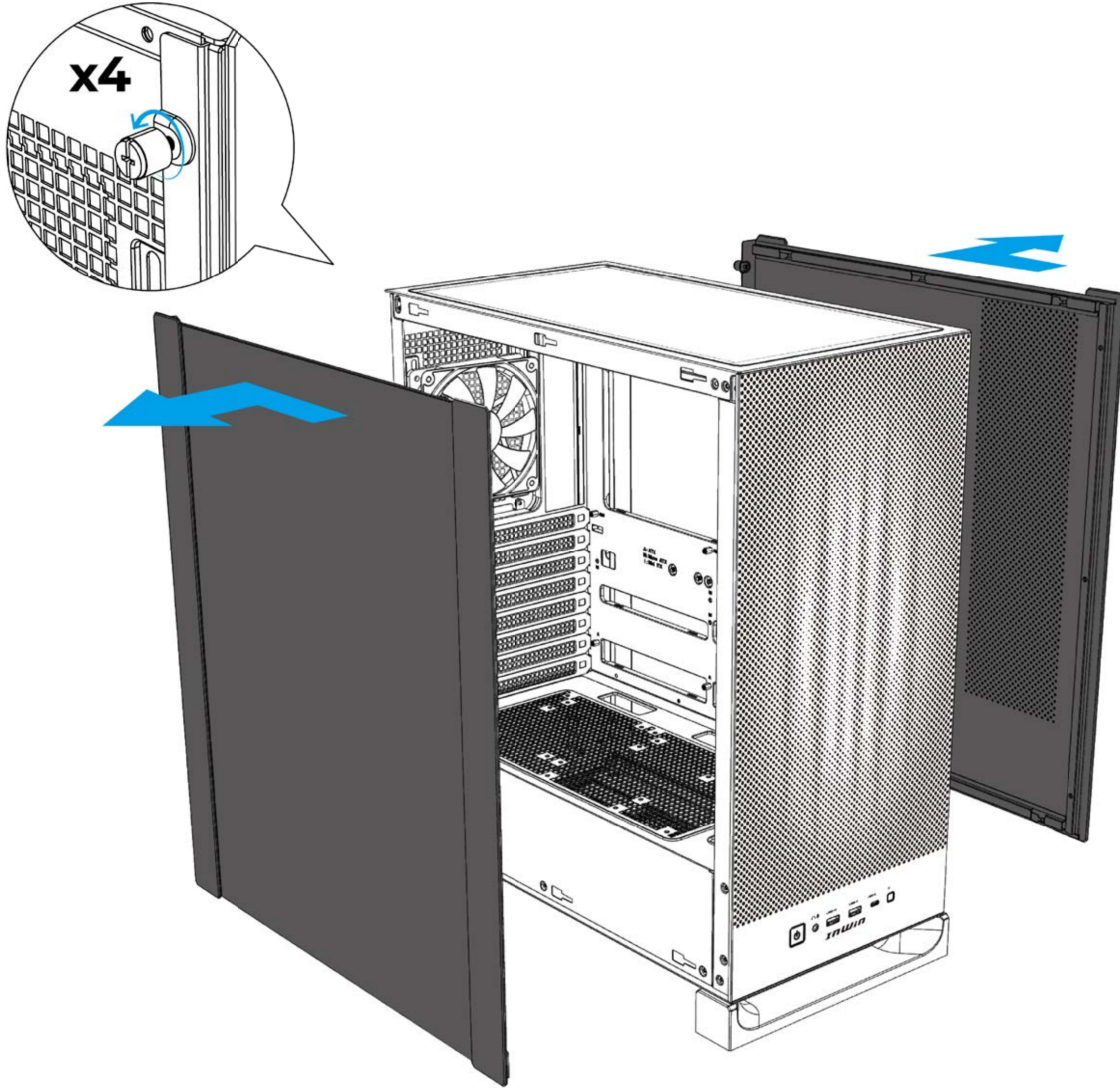
14 Fan Hub

15 2.5" / 3.5" Drive Bays

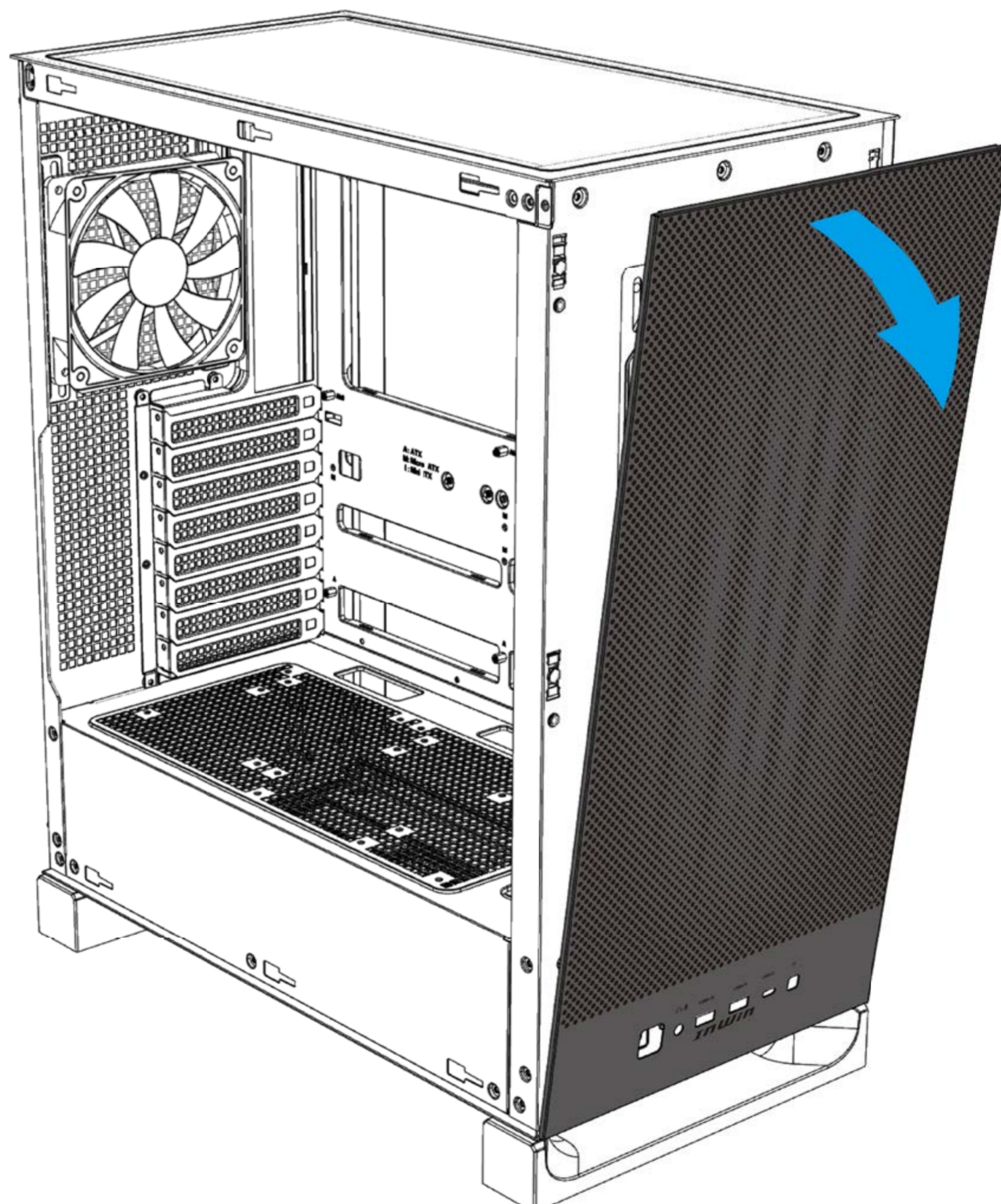
16 Bottom Anti-Dust Filter

Installation Guide

Opening the Chassis

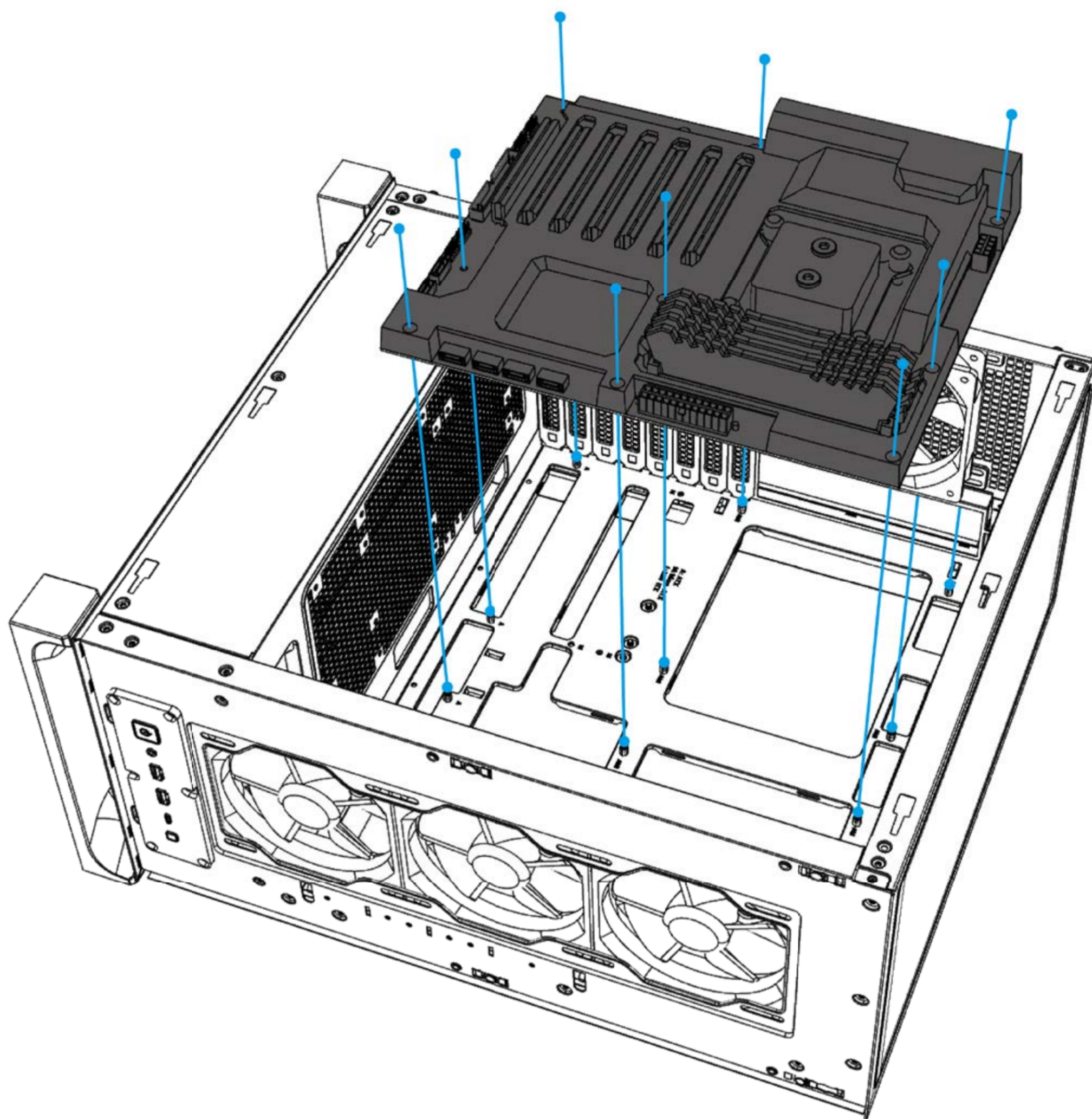


Remove Front Panel

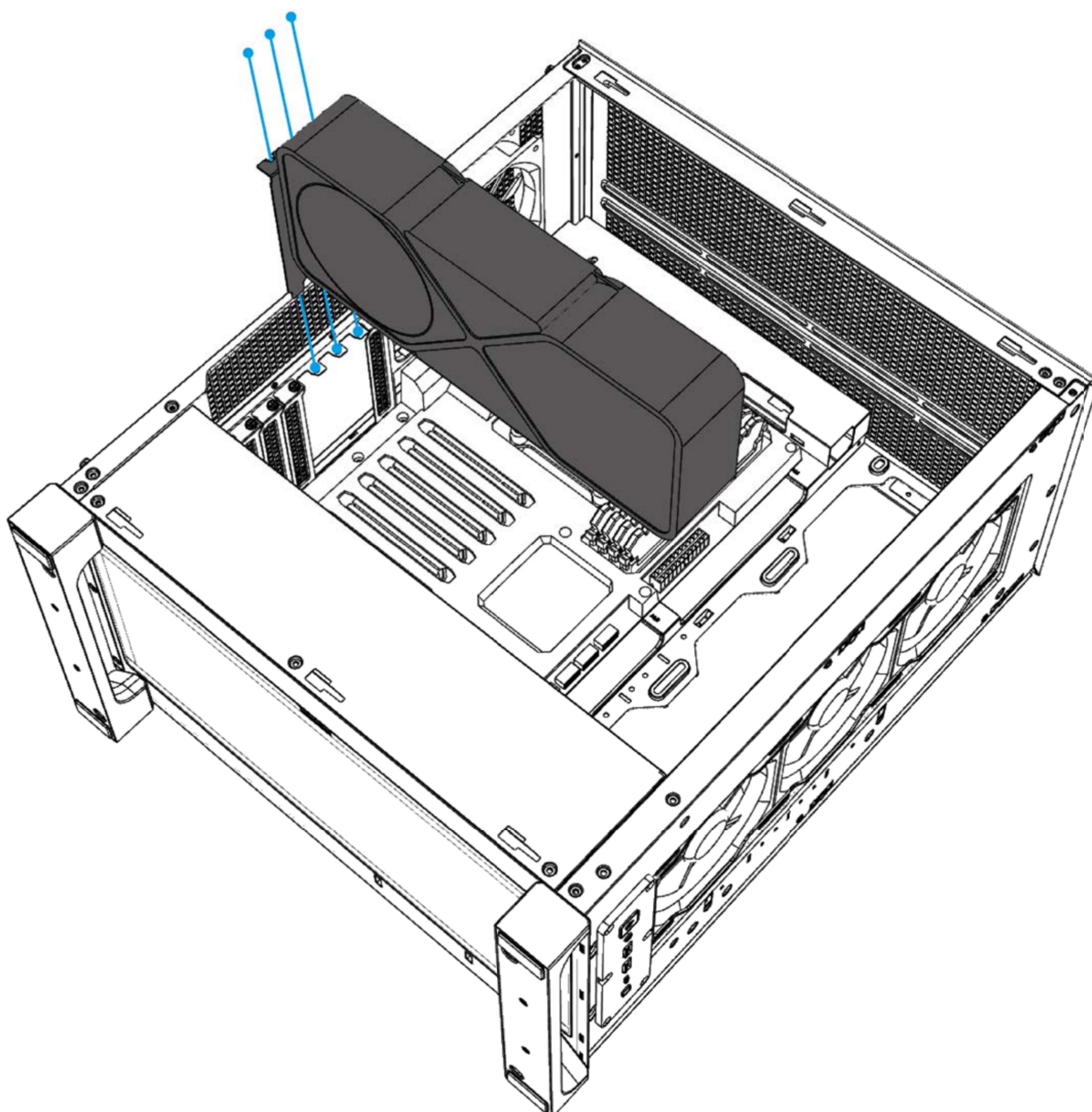


Installation Guide

Motherboard Installation



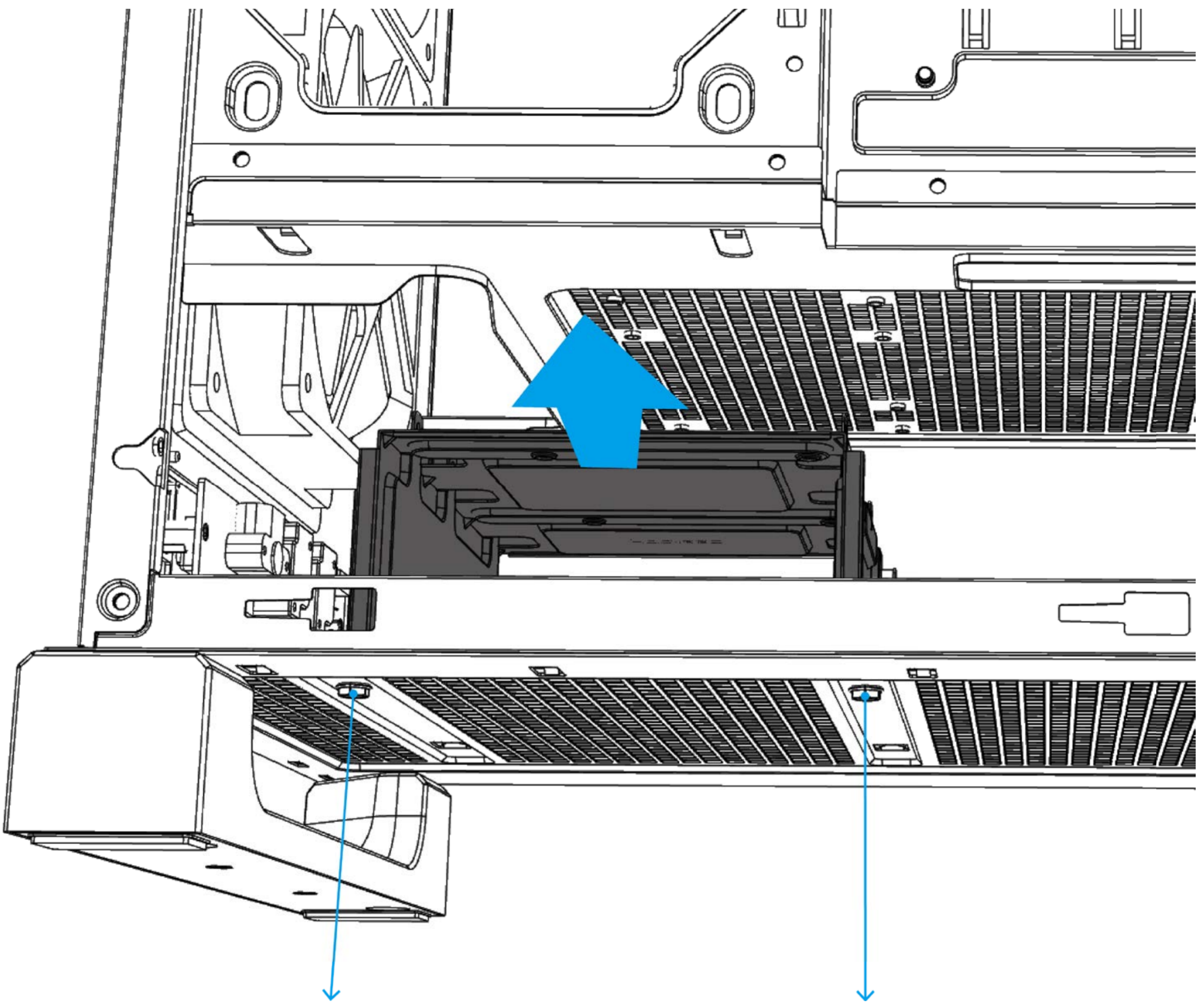
Graphics Card Installation



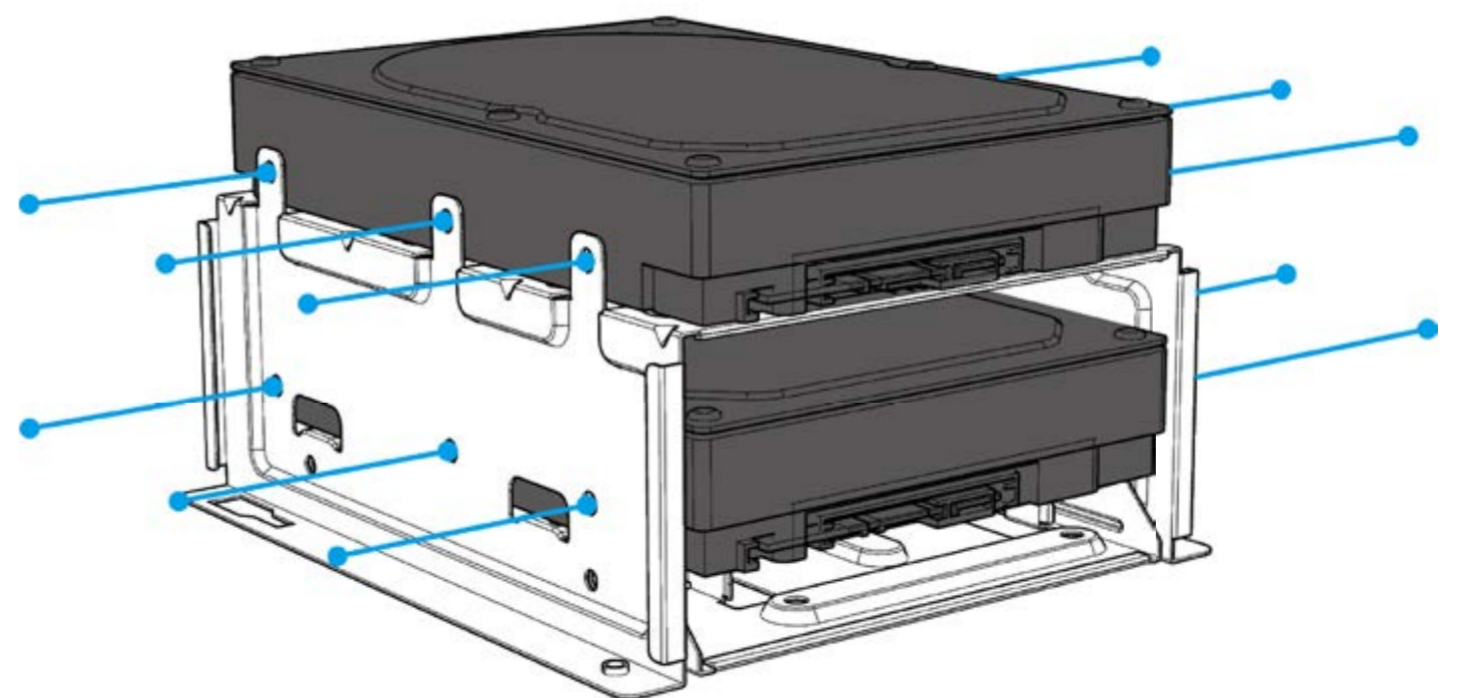
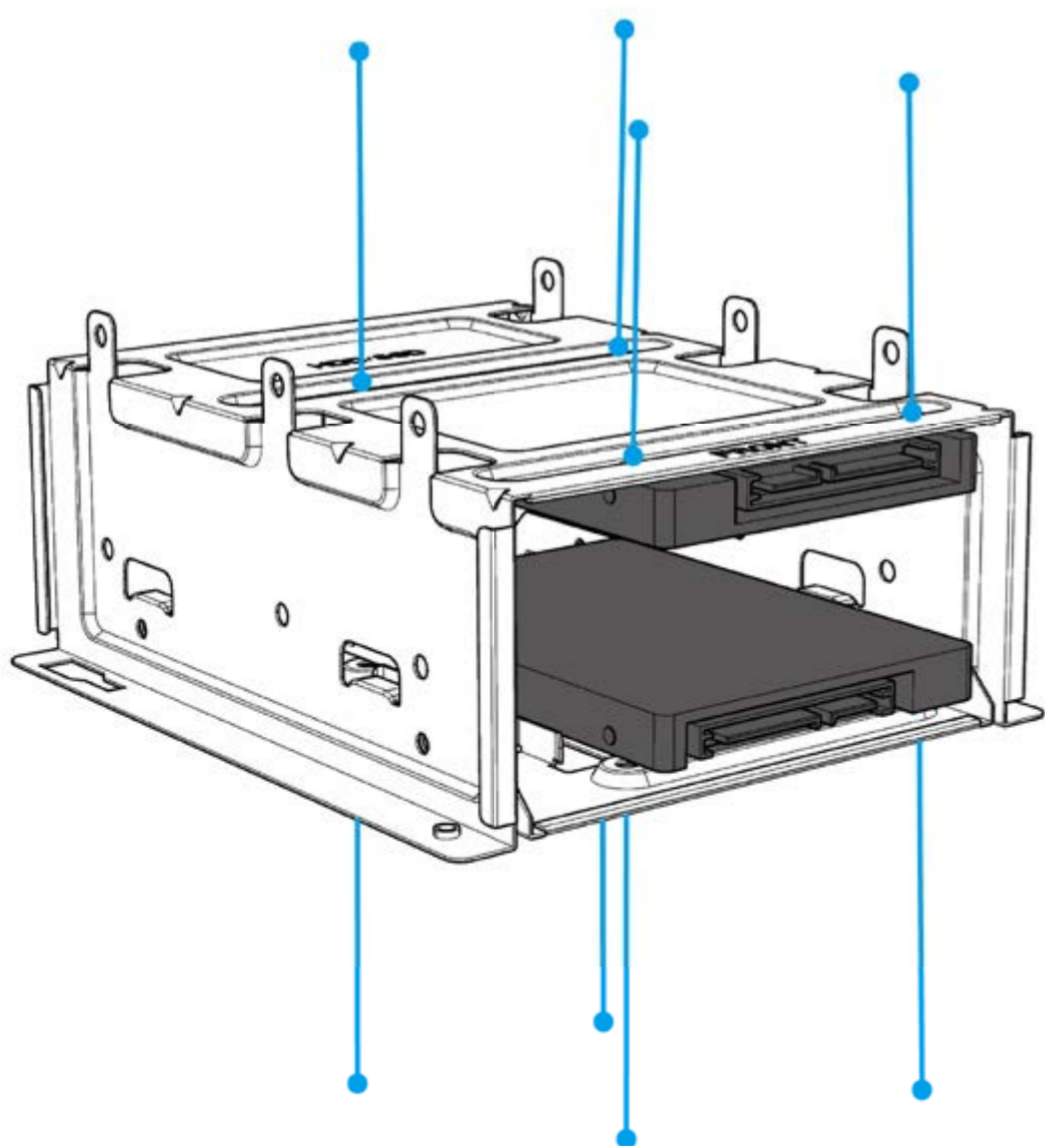
Installation Guide

2.5" / 3.5" Drive Bays Installation

i.



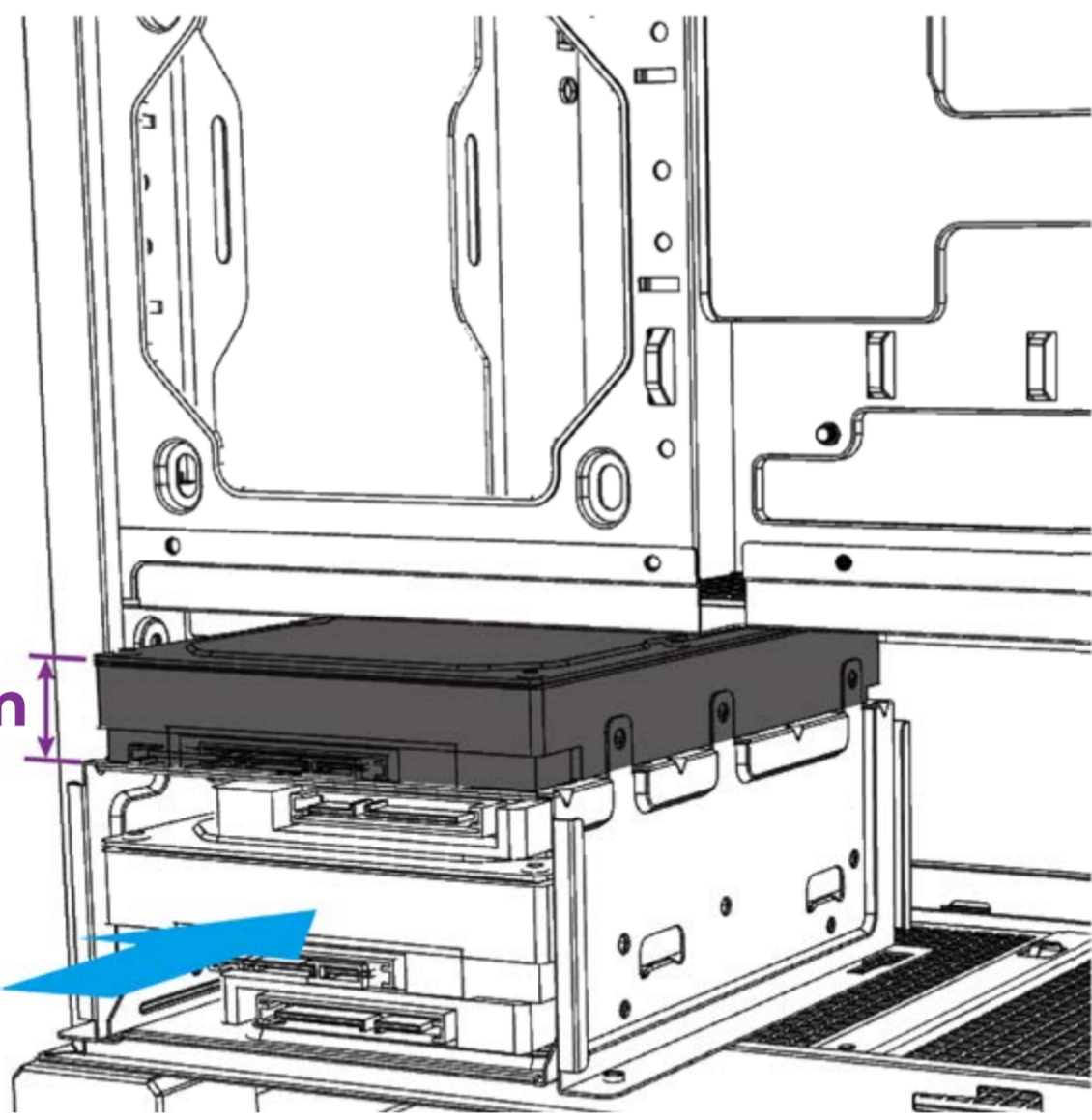
ii.



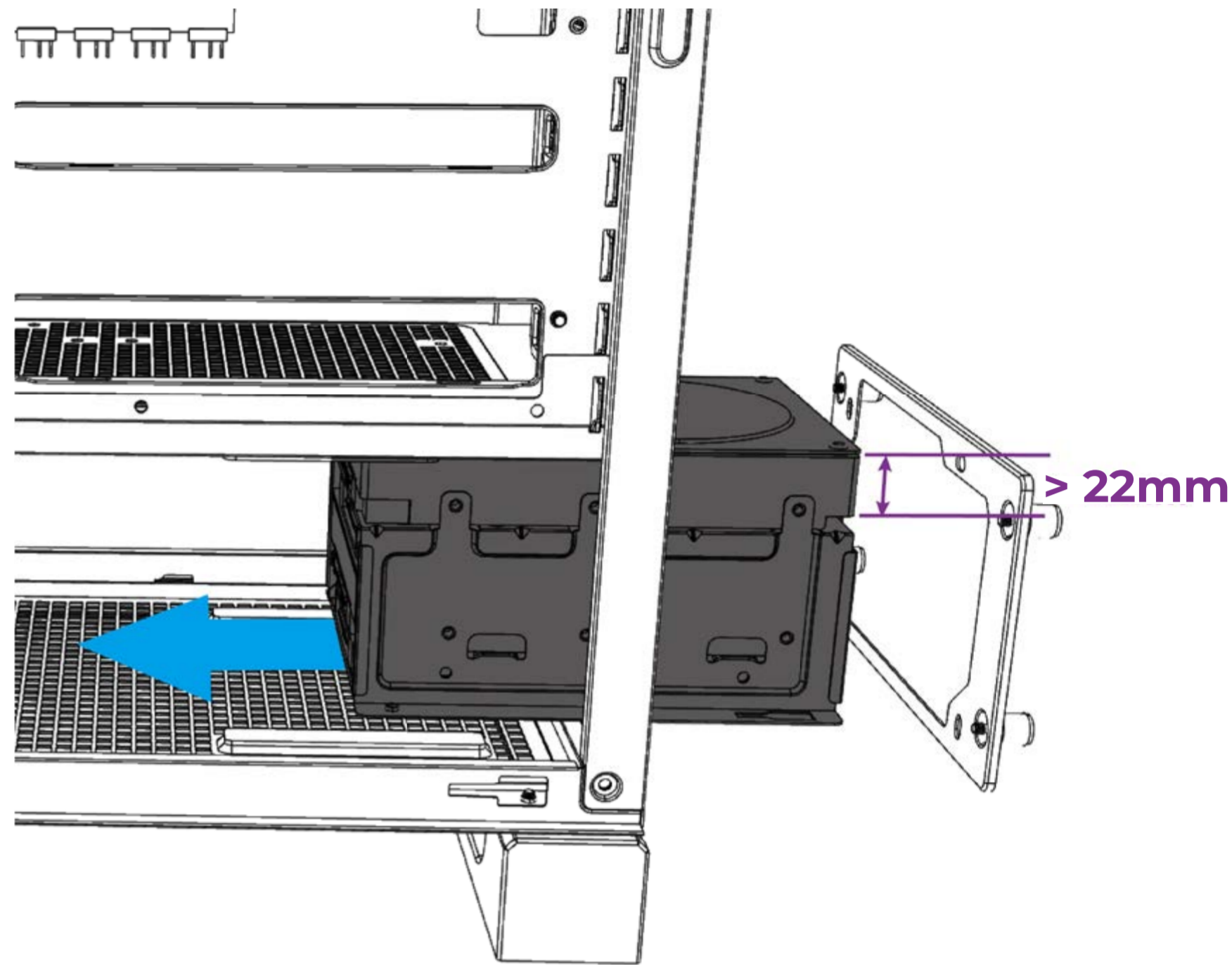
Installation Guide

2.5" / 3.5" Drive Bays Installation

iii.

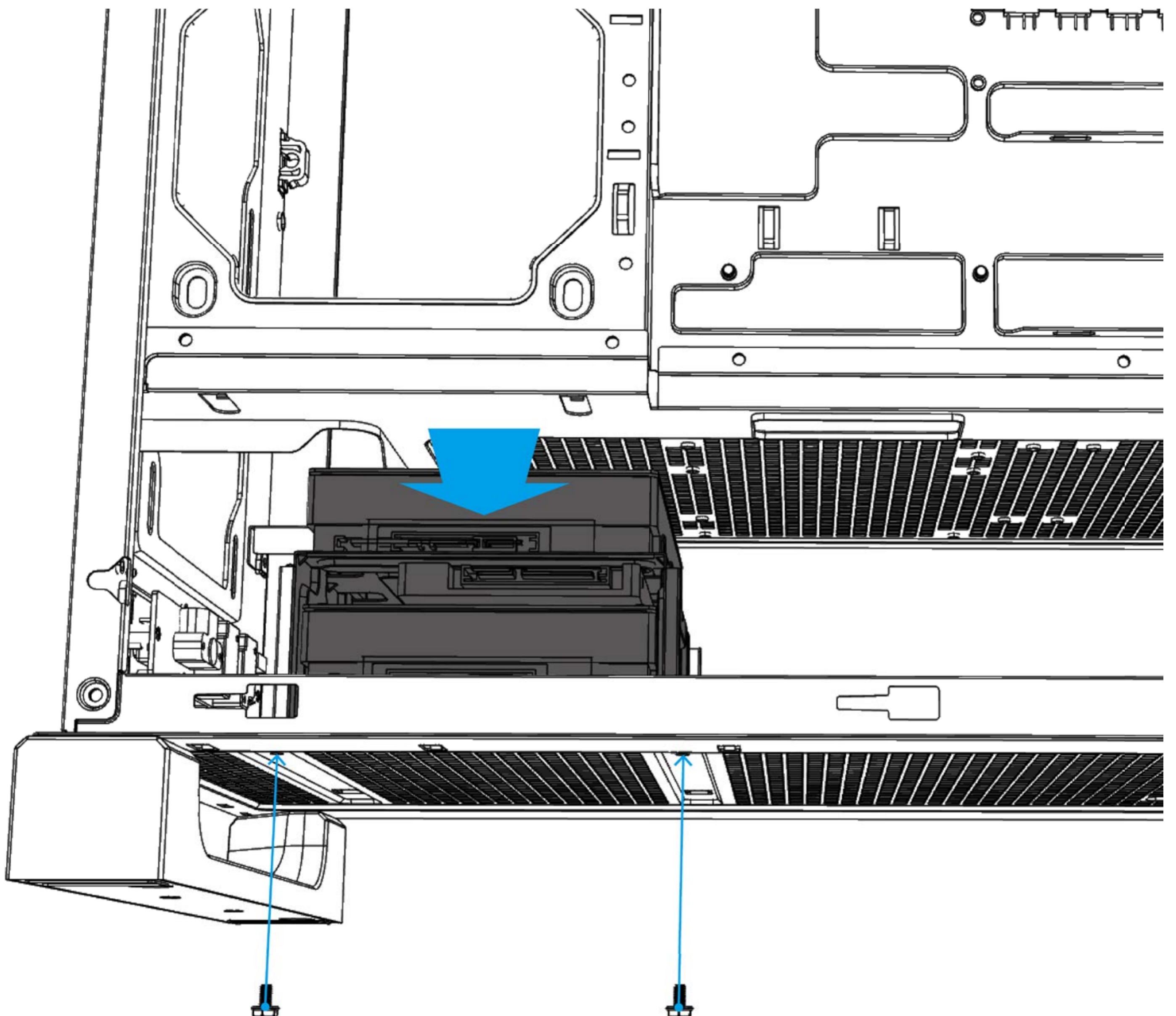


If the 3.5" HDD height is less than 22mm, reinstall the drive from the side.



If the 3.5" HDD height exceeds 22mm, insert the drive from the rear chamber.

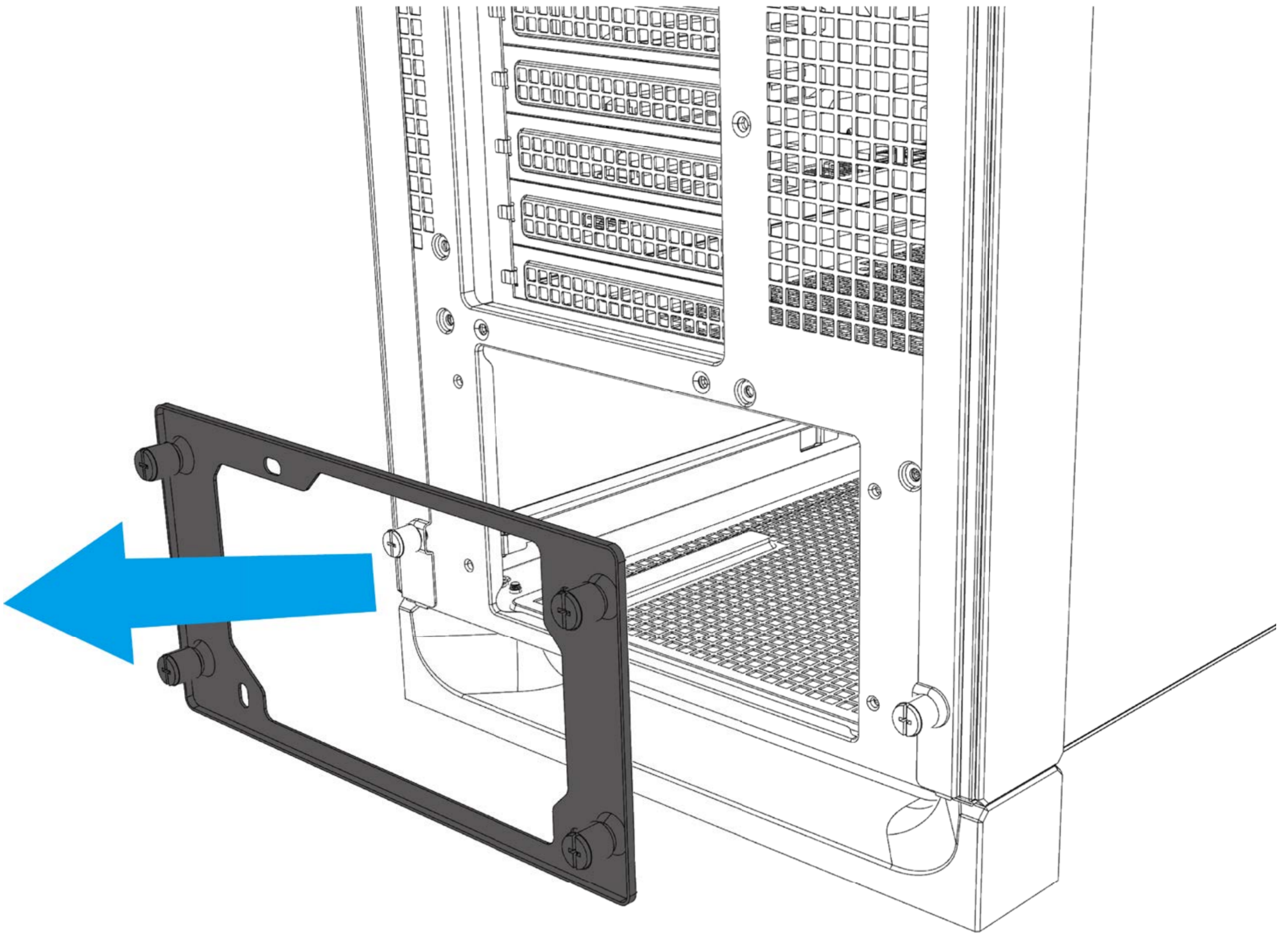
iv.



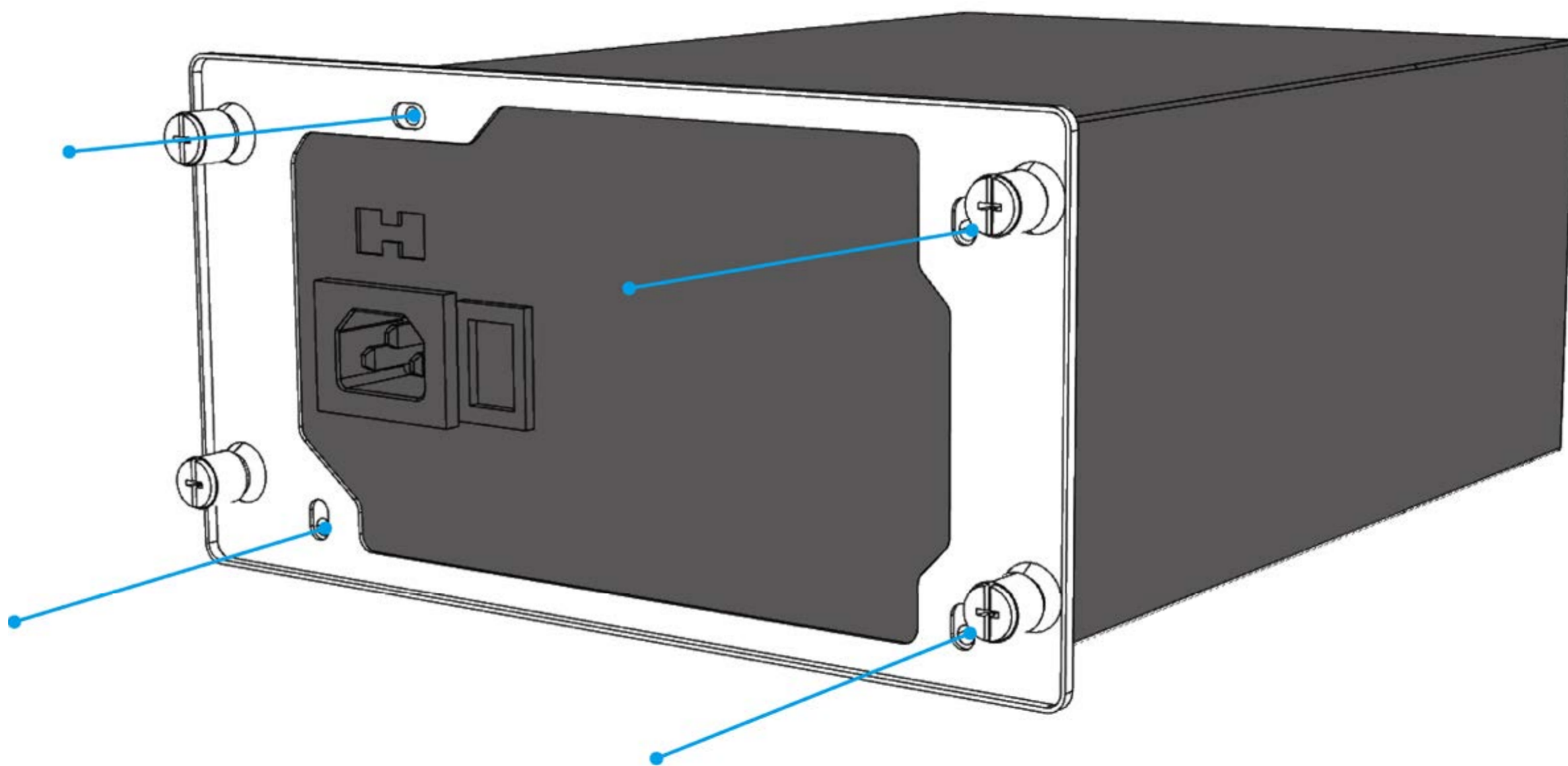
Installation Guide

Power Supply Installation

i.



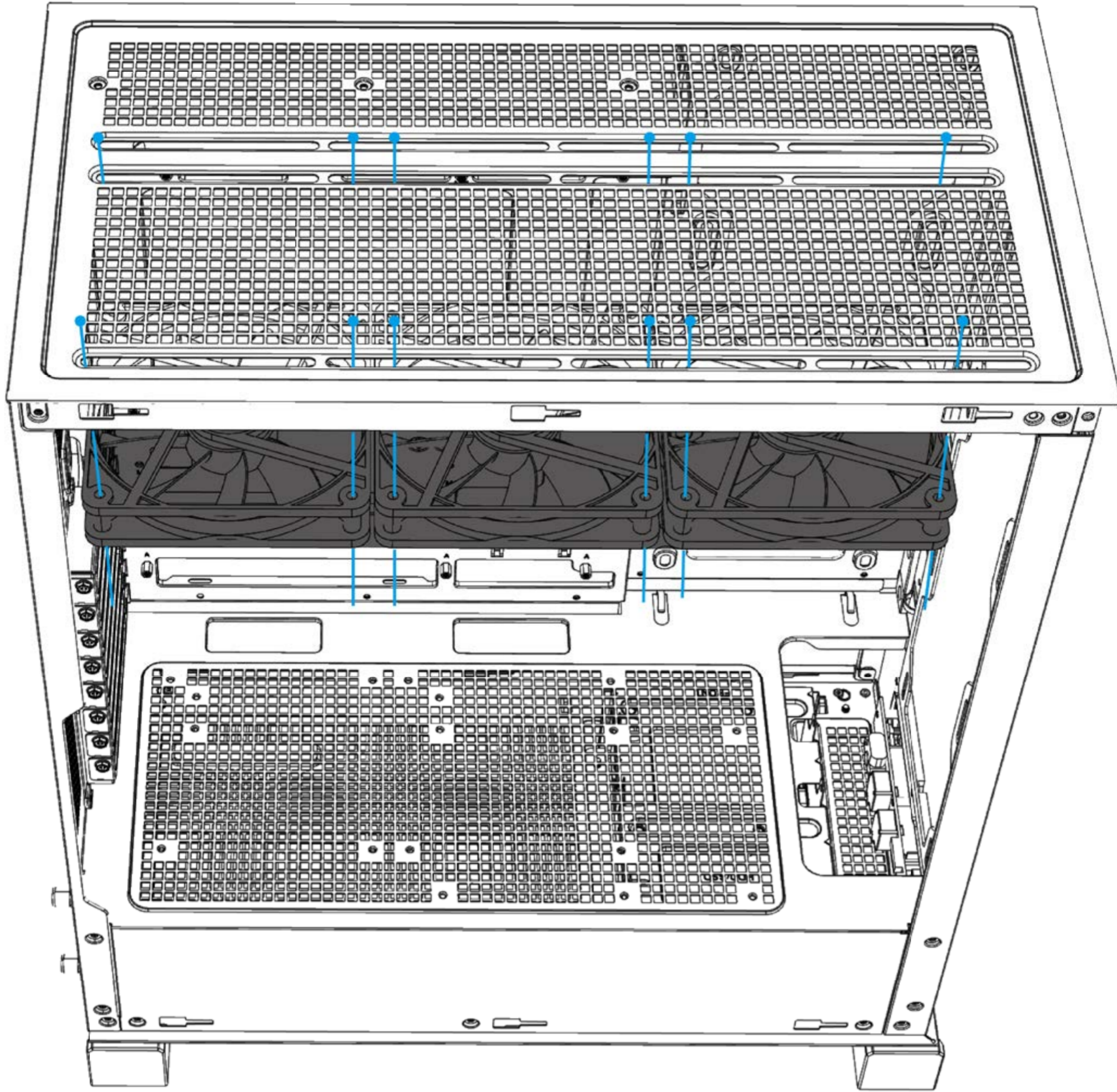
ii.



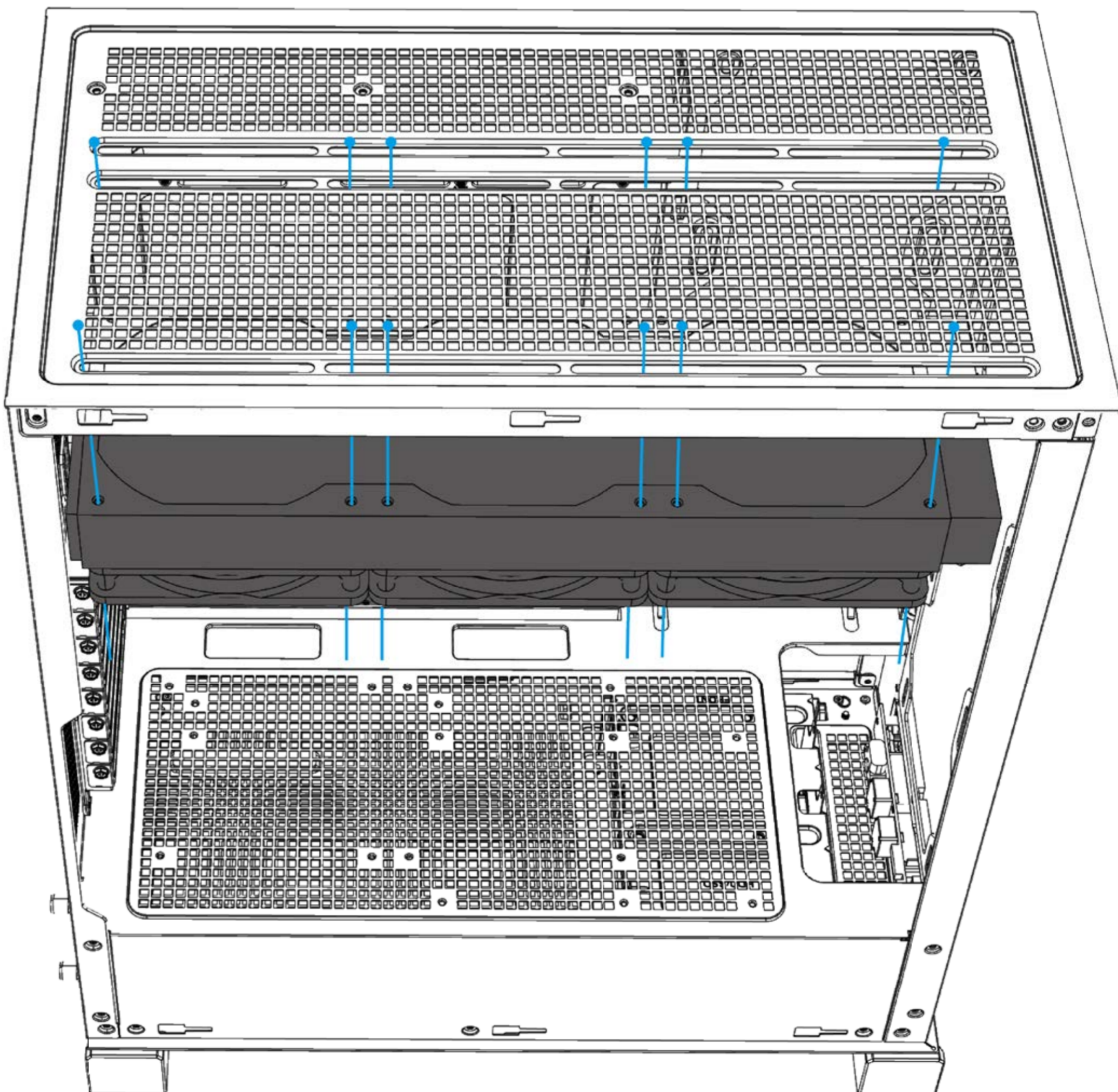
Installation Guide

Top

Fans Installation



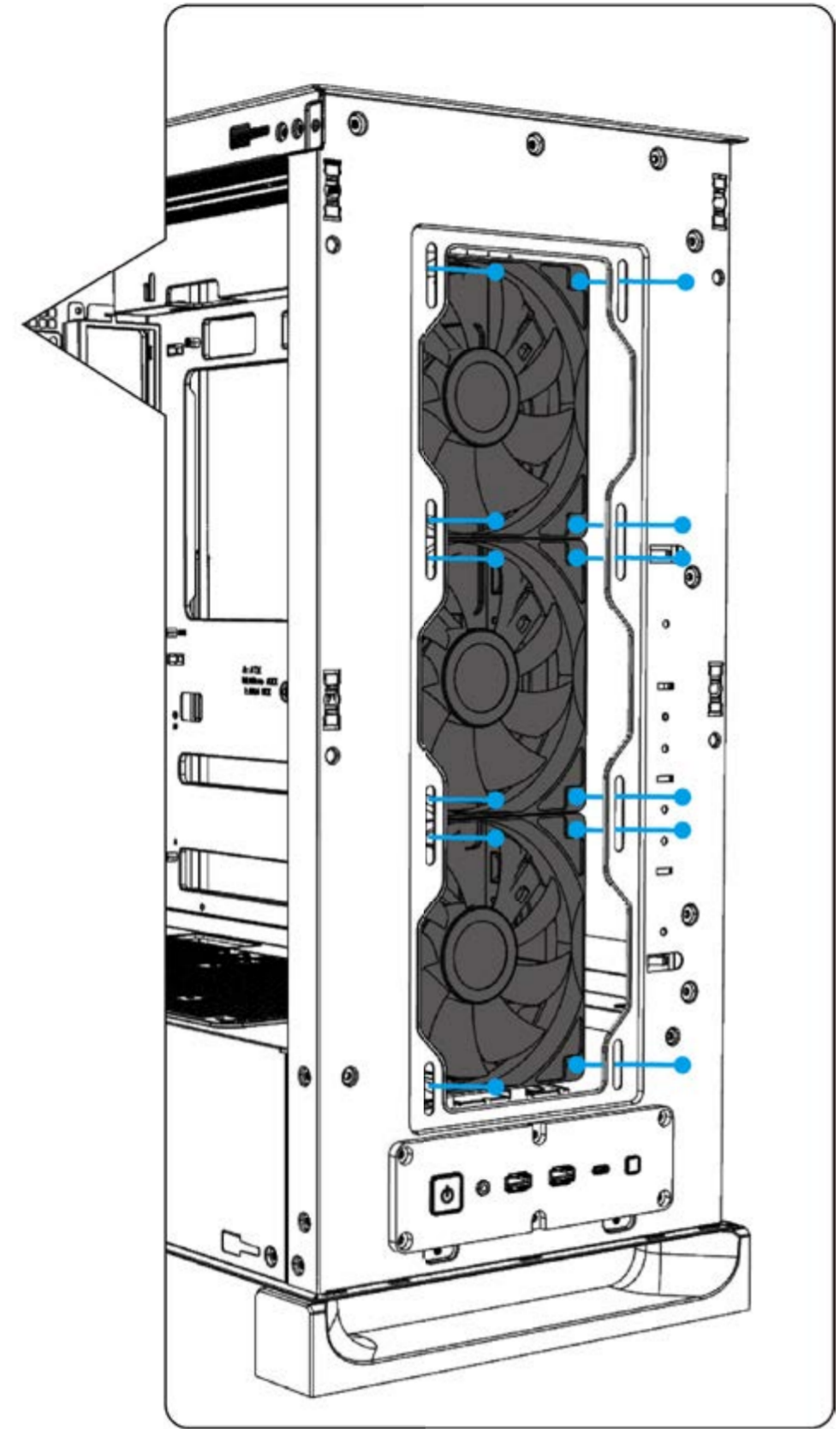
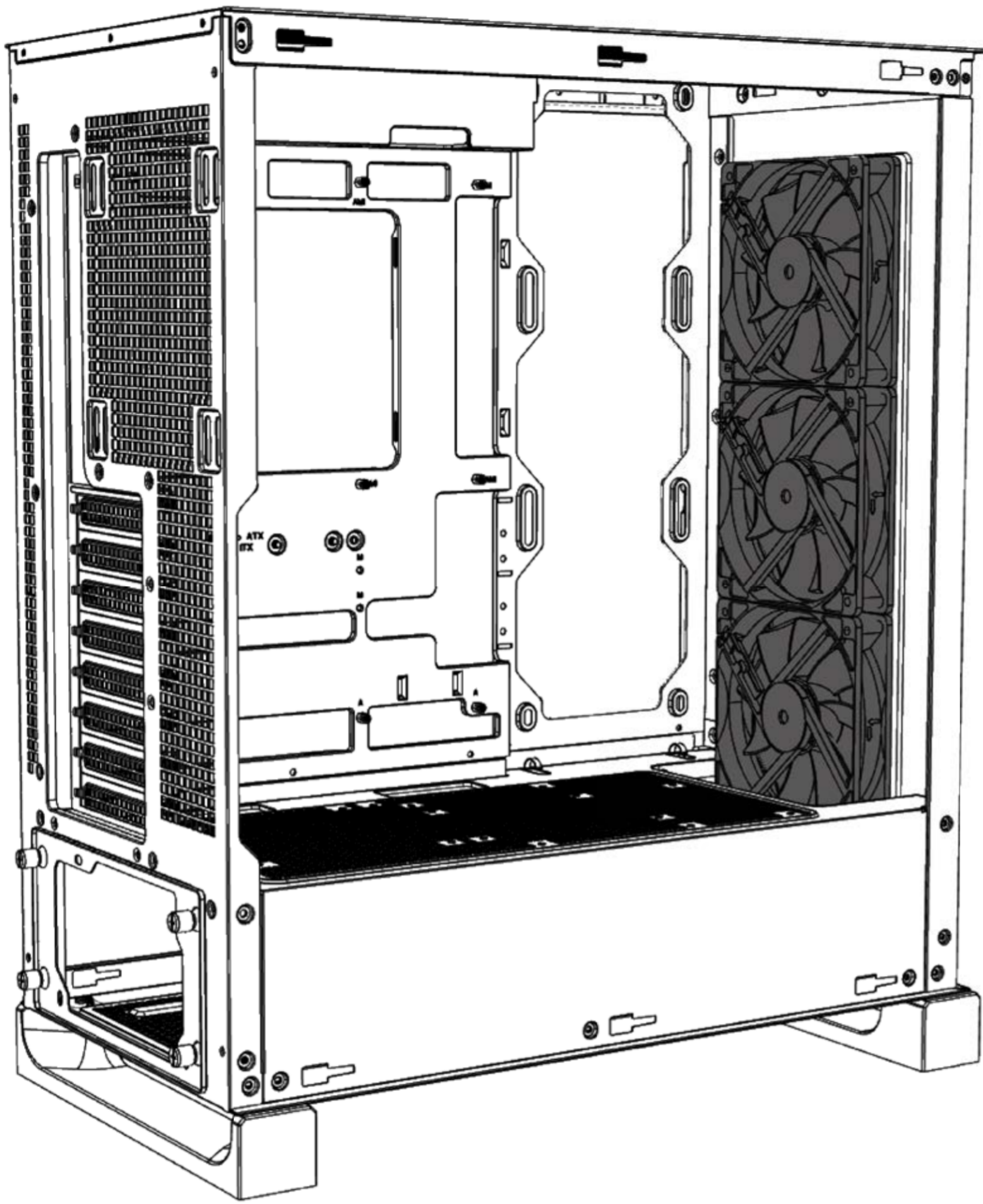
Water Cooling Radiator Installation



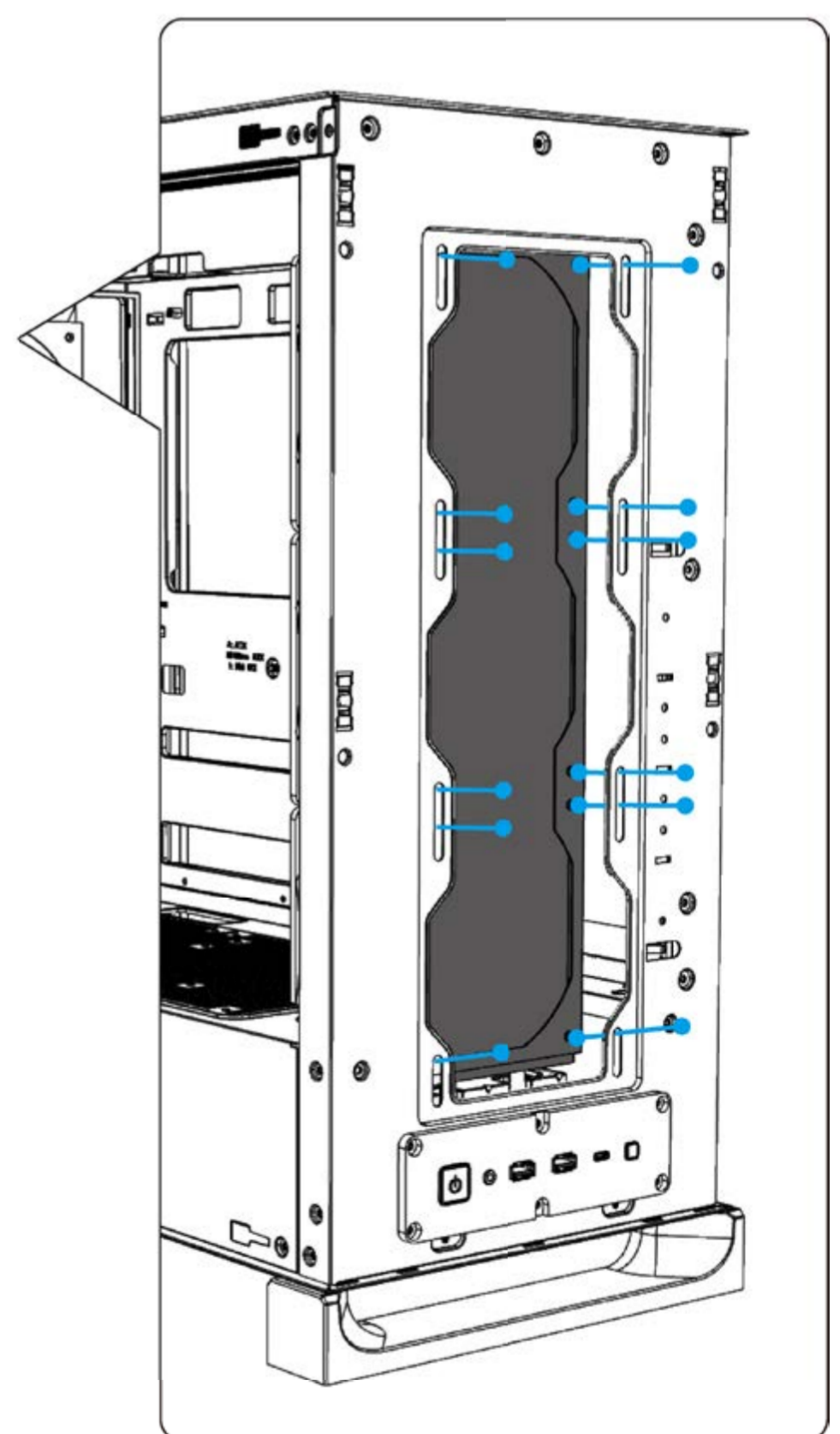
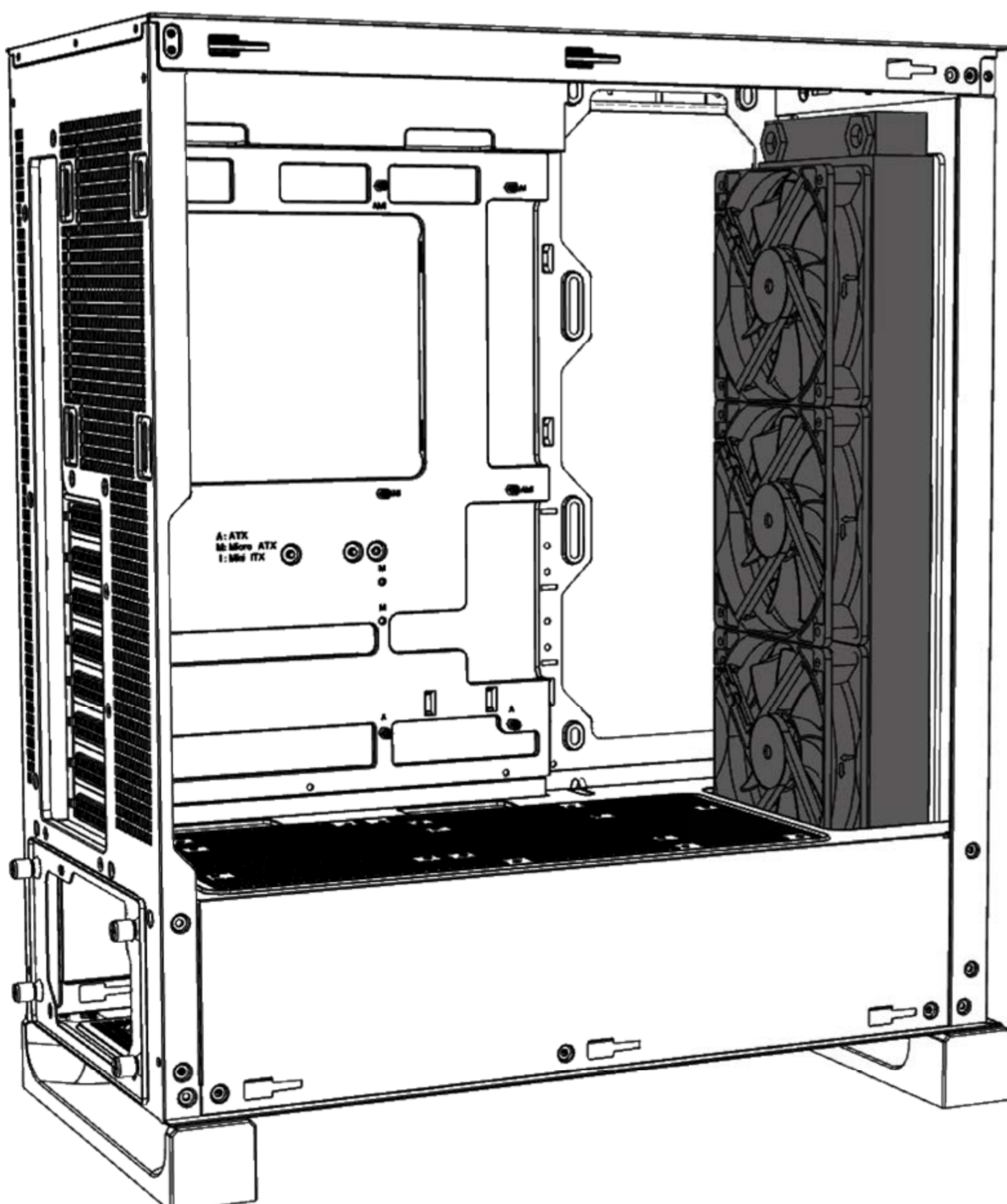
Installation Guide

FRONT

Fans Installation



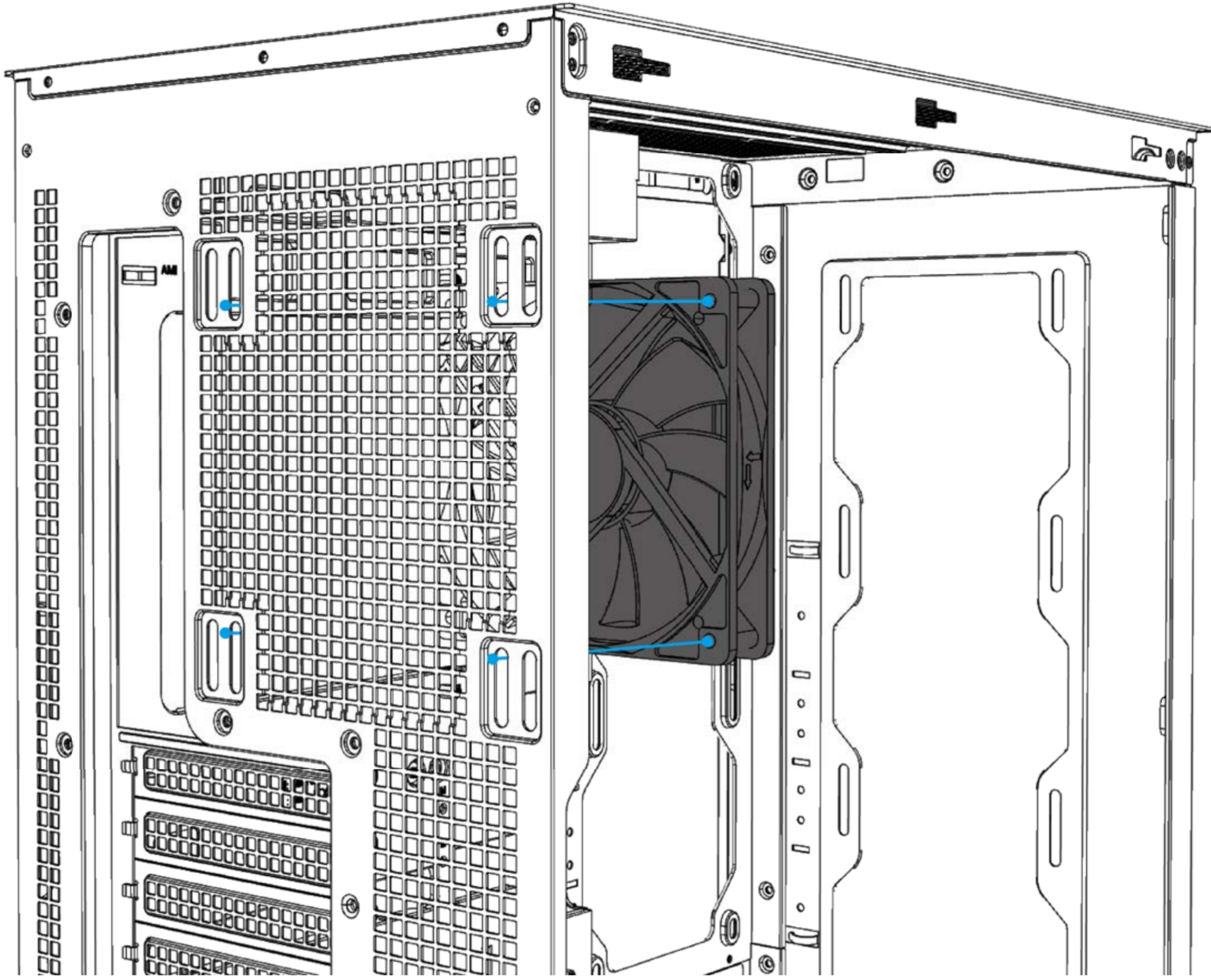
Water Cooling Radiator Installation



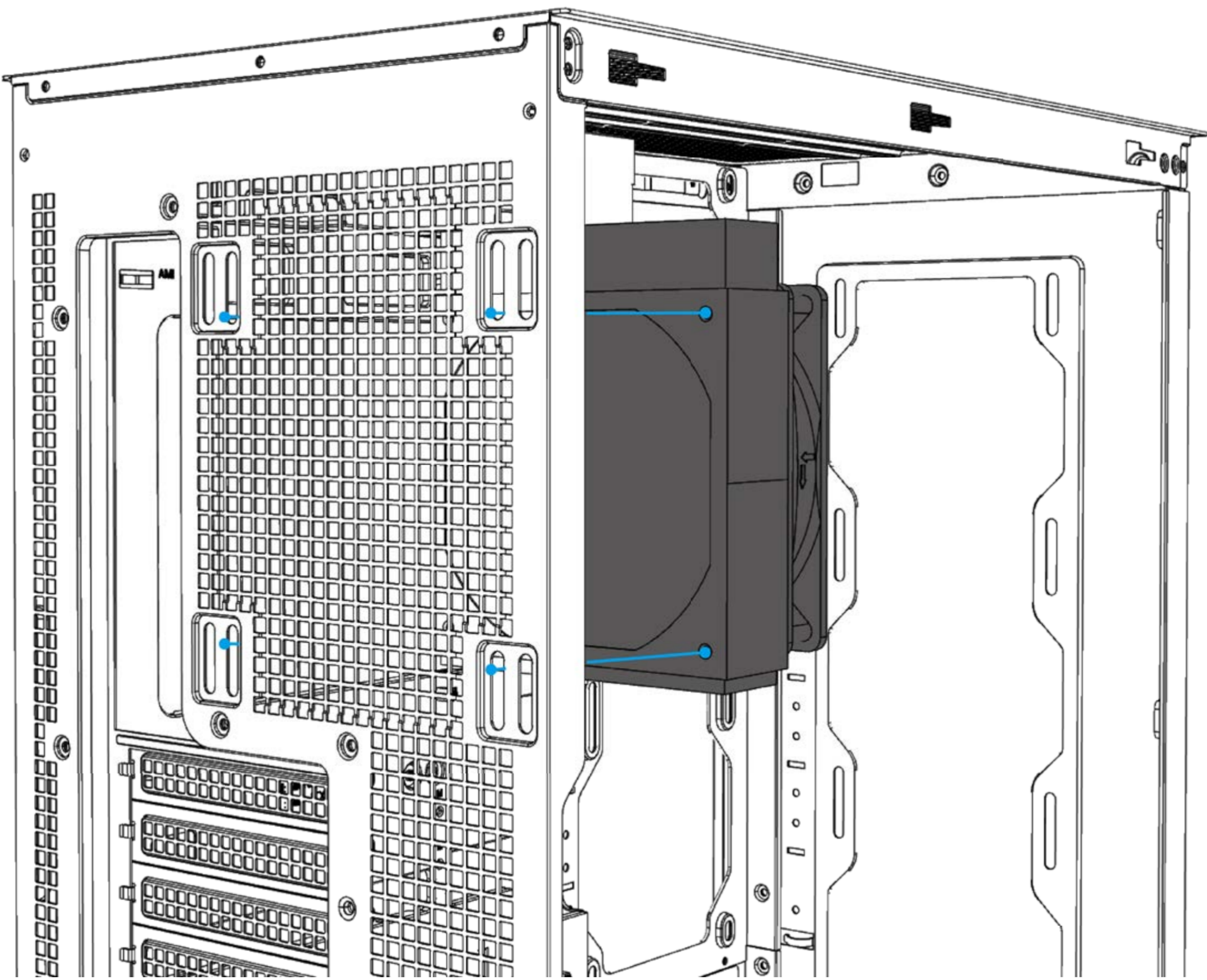
Installation Guide

REAR

Fans Installation



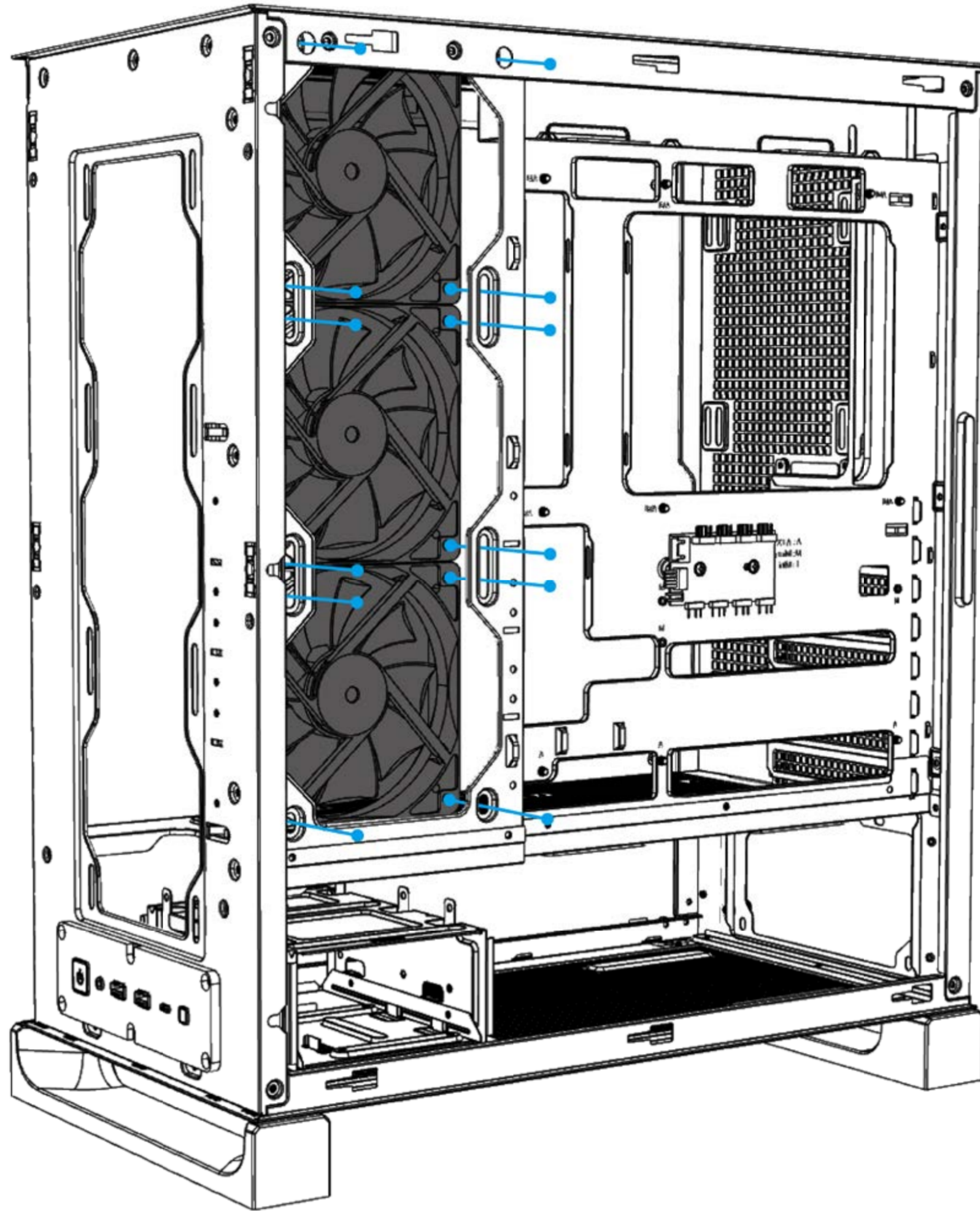
Water Cooling Radiator Installation



Installation Guide

SIDE

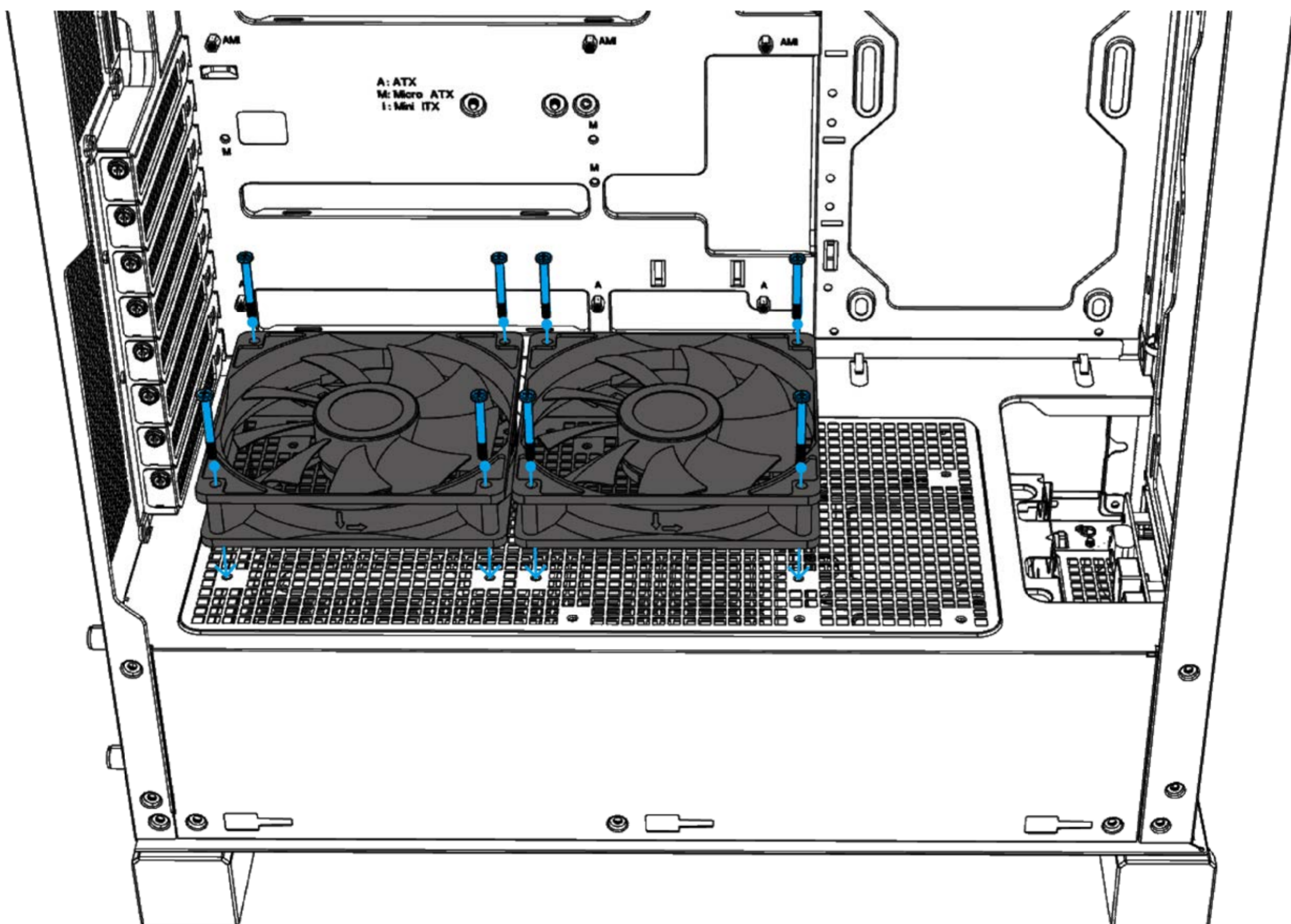
Fans Installation



BOTTOM

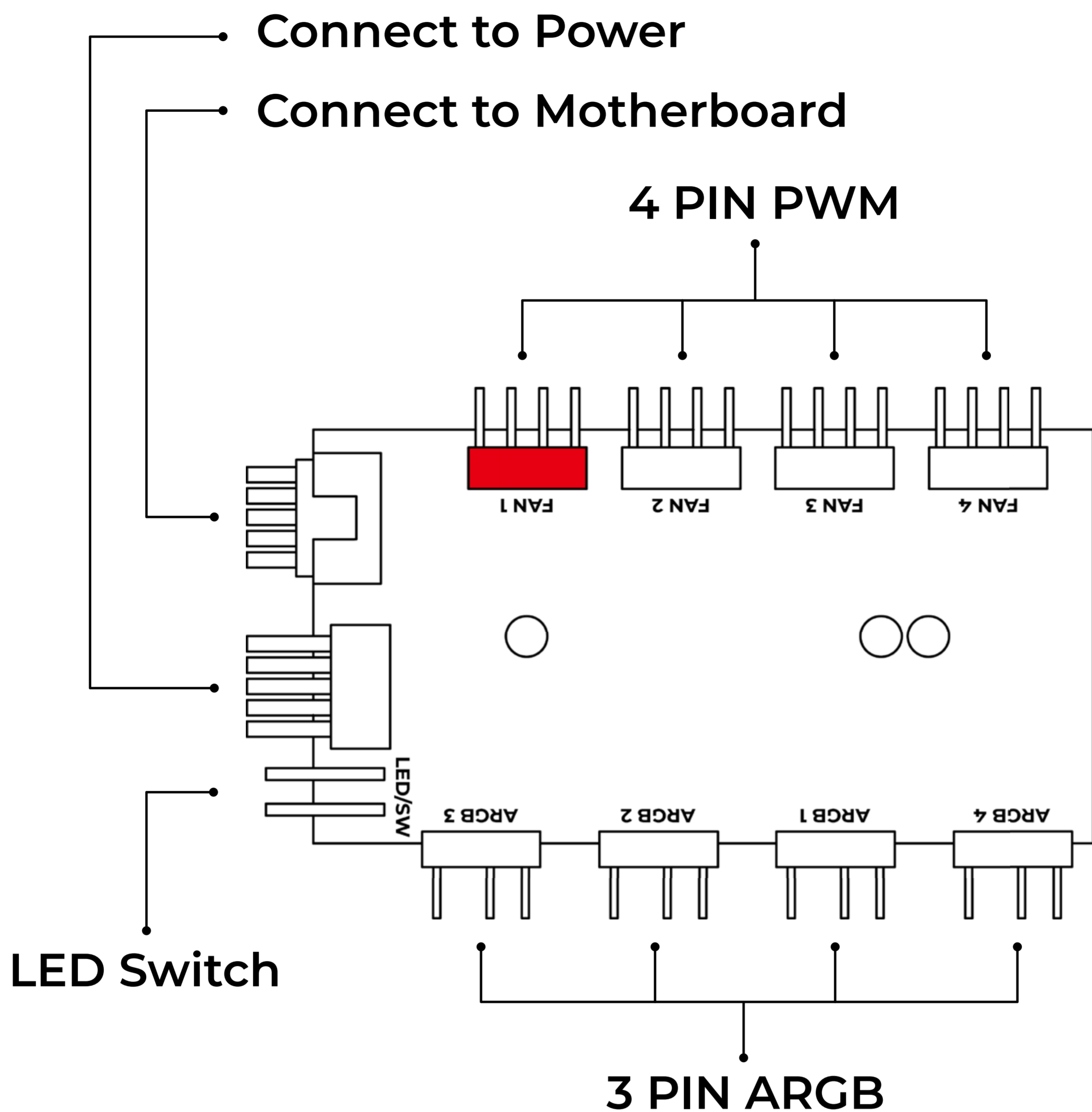
Fans Installation

* Screw length varies with fan thickness. Fan screws are not included.



Installation Guide

Fan Hub



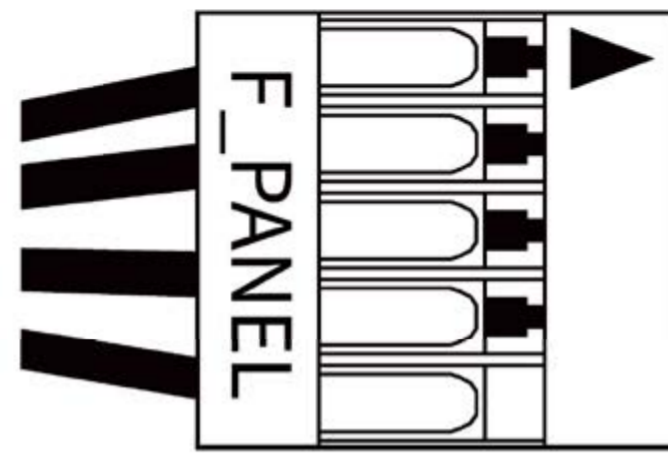
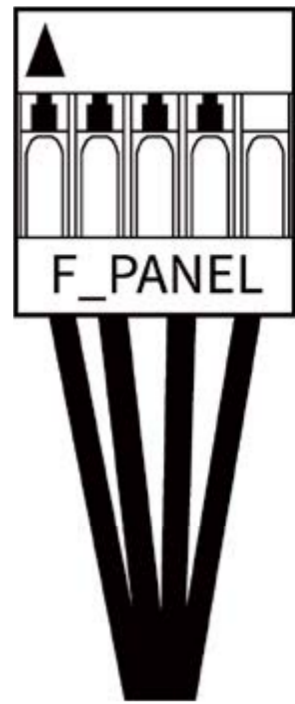
Modes: 18 lighting variations with power-off memory.

1	Rainbow Tail	10	Full Circle
2	Rainbow Flow	11	LED-Red
3	Rainbow Trail	12	LED-Green
4	Yellow-Red Chase	13	LED-Blue
5	Rainbow Counter-Clockwise	14	LED-Purple
6	Rainbow Clockwise	15	LED-Yellow
7	Red Trail	16	LED-Cyan
8	Yellow Trail	17	LED-White
9	Red/Green Trail	18	Off

- Motherboard Sync: Hold the button for 3 seconds. The fan will flash white once to switch to motherboard sync mode.
- Exit Sync: Briefly press the button to return to LED lighting control mode.
- Red Connector (FAN 1): Enables fan speed monitoring via motherboard.

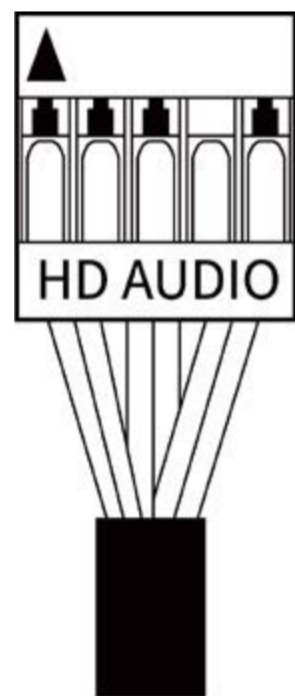
Cable Connection

I/O Wire



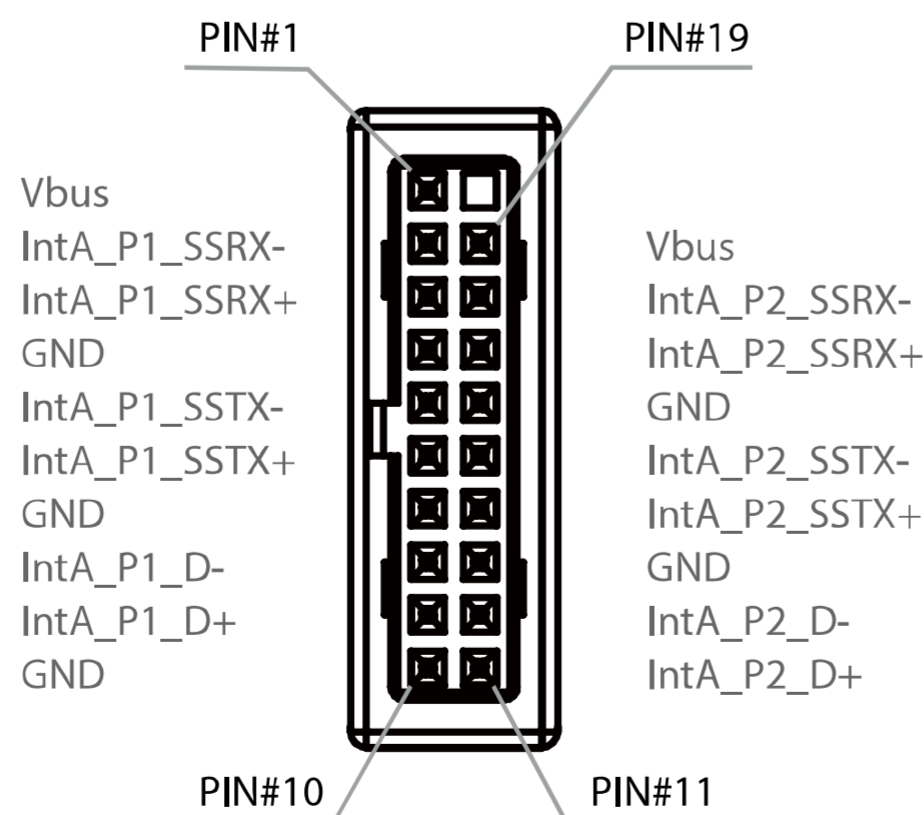
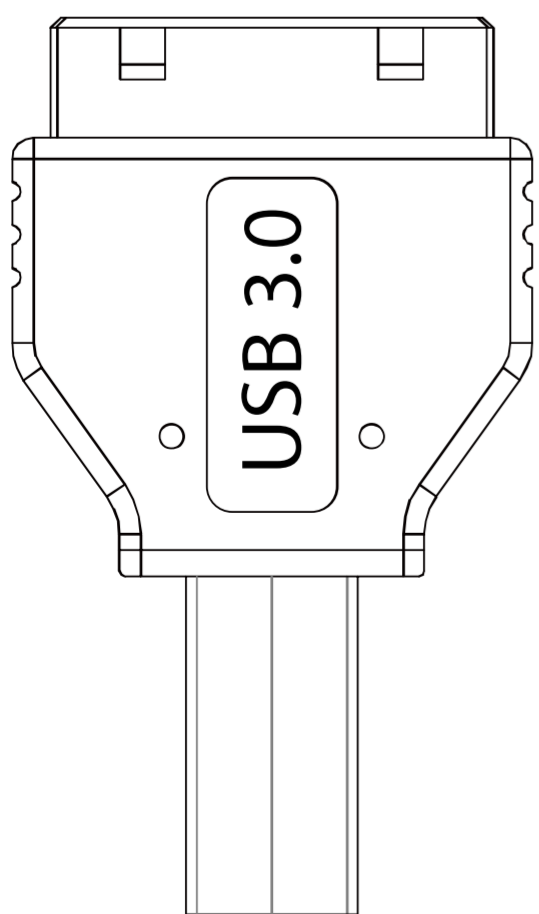
Black(P LED +)	1		2	Black (HDD LED +)
Black(P LED -)	3		4	Black (HDD LED -)
Black(P SW +)	5		6	NC
Black(P SW -)	7		8	NC
Key	9		10	NC

HD Audio Header

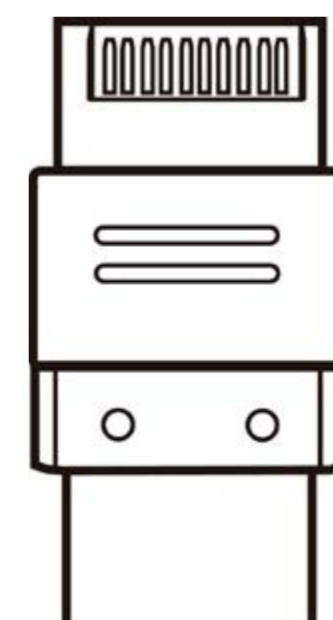


PORT2_L	BLUE	10		9	BROWN	SENSE2_R
SENSE_SEND	PURPLE	8		7		KEY
PORT2_R	YELLOW	6		5	WHITE	SNAS1_R
	RED	4		3	ORANGE	PRESENCE#
PORT1_L	GREEN	2		1	BLACK	GND

USB 3.2 Gen 1



USB 3.2 Gen 2x2 Type-C



Notices and Warranty

Notices

1. Please follow the user manual for installation guidelines.
2. When installing the computer components, please use antistatic precautions to prevent ESD (electrostatic discharge) damage. Failure to take the necessary precautions may result in injury to the installer and/or damage to the machine. Incorrect installation may burnout the motherboard and other system components.
3. To avoid any damages, please do not use this product for any other purpose than its intended use.
4. To avoid any damages, please do not use this product for any other purpose than its intended use.
5. Please remove all internal devices before shipping or moving. (Including power supply, hard drives, motherboard, CPU, etc.)
6. When storing the case, please keep this product away from high temperatures. Keep away from machines such as heaters that might cause high temperatures.
7. For more technical support, please visit the InWin Forum at <https://forum.in-win.com/>

Warranty

- * For more detailed warranty information, please visit the InWin retail website at www.in-win.com.
- * The actual product is subject to change without prior notice. In Win Development Inc. reserves the right to make final modifications.

D D L I T E

D D L I T E

D D L I T E

D D L I T E

D D L I T E

D D L I T E

D D L I T E



***Innovation from
Inception to Integration***