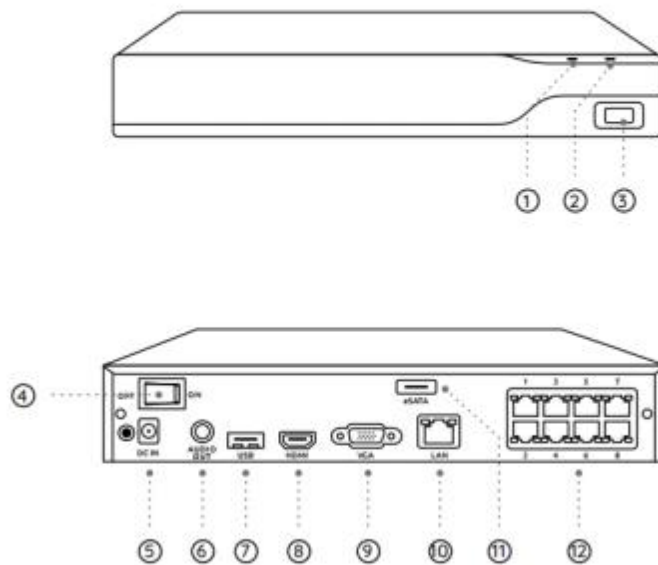


# NVS8-5MB4

NVS8-5MB4 with a pixel resolution of 2560x1920, that is, nearly 2.4X the resolution of 1080p Full HD, and even 1.3X the resolution of 1440p. It sees and records your home security more clearly, with more details. A real plug and play security system! It features PoE (Power over Ethernet), with a single network cable connecting each IP camera to the NVR for both power supply and video signal transmission. Easy wiring – the wiring process cannot be simpler for DIY enthusiasts and beginners.

## 1. Specs

Model: NVS8



1	Power LED
2	HDD LED
3	USB Port
4	On/Off Switch

5	Power Input
6	Audio Out
7	USB Port
8	HDMI Port
9	VGA Port
10	LAN Port
11	eSATA Port
12	PoE Ports



1	Daylight Sensor
2	IR LEDs
3	Lens
4	Logo
5	Waterproof Lap
6	Mic
7	Speaker
8	microSD Card Slot

## 2. Setup and Install

### Set up the System

#### What's in the Box

**Note:** The package content may vary and update with different version and platforms, please take the below information only for a reference. And the actual package content are subject to the latest information on the product selling page.  
NVS8-5MB4



NVS8



P320



NVR Power Adapter



HDMI Cable



USB Mouse



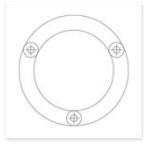
1m Network Cable\*1



Quick Start Guide



Surveillance Sticker



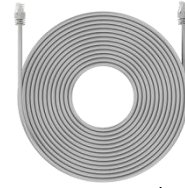
Mounting Template



Pack of Screws



Waterproof Lid



18m Network  
Cable\*4

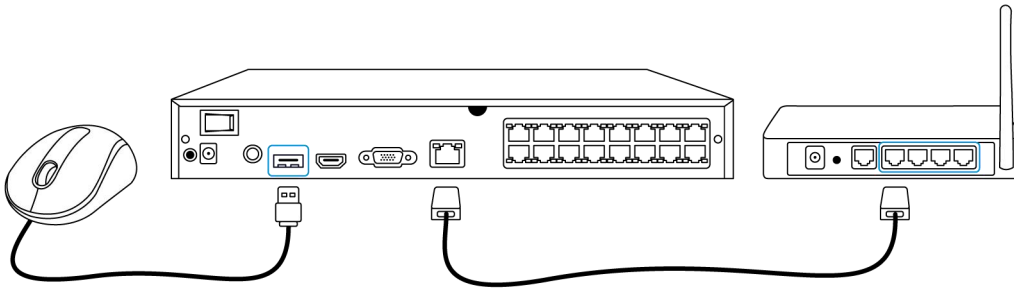


Wrench

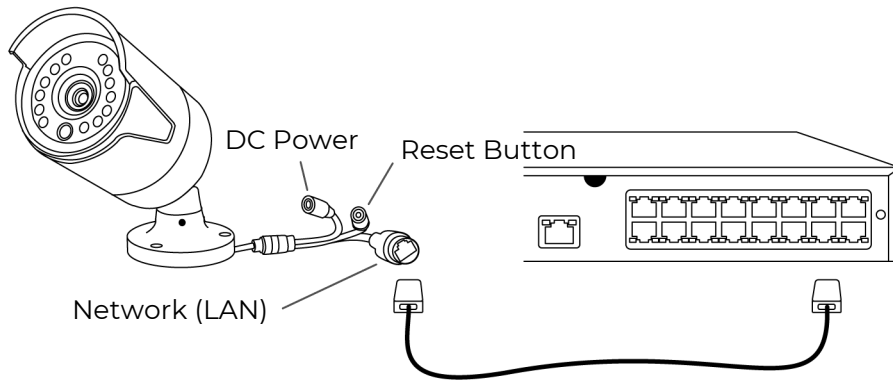
### Connect and Power the NVR

Before initially set up the system on the App, please connect the cameras to the NVR and power on the NVR.

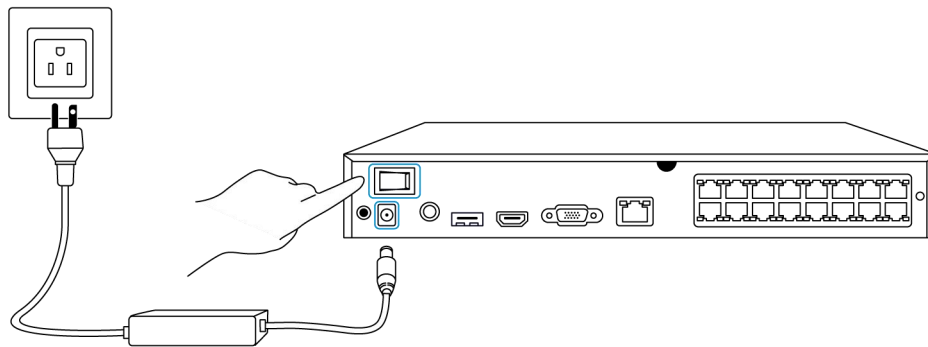
1. Connect the NVR's LAN port to router by Ethernet cable, and connect the mouse to the USB port of the NVR.



2. Connect the PoE camera to PoE port of the NVR. Or if you want to use a WiFi camera, please connect the camera to the WiFi of the same router as NVR.



3. Connect the power adapter to the NVR, and switch on the NVR.

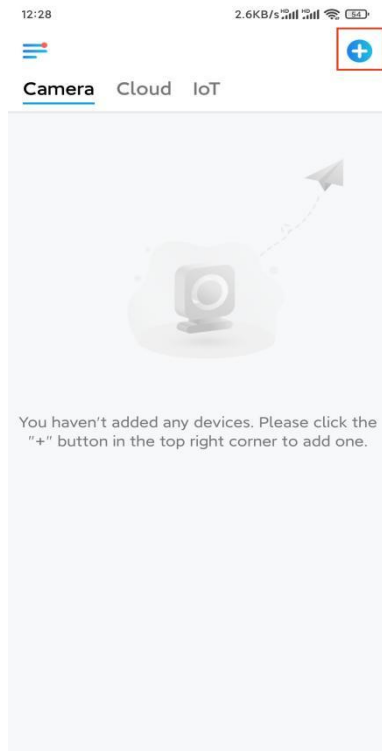


### Set up the system on the App

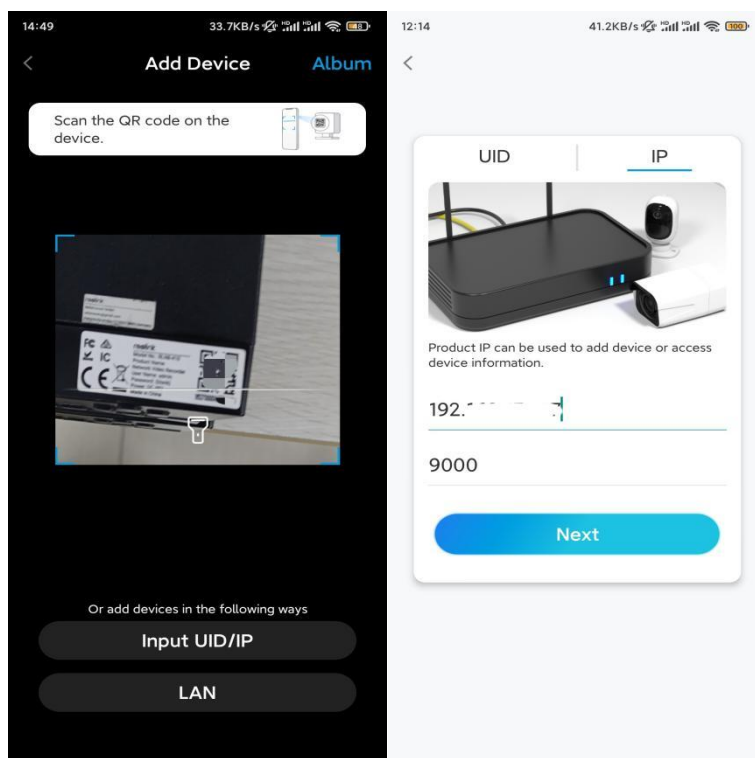
Please initially set up the system on the App by referring to the following steps.

**Note:** Please make sure the device and your phone are on the same network.

Step 1. Tap the icon  on the top right corner.



**Step 2.** Scan the QR code on your NVR, or tap **Input UID/IP** to enter the UID of the NVR (a 16-digit number under the QR code). Then tap **Next**.



**Step 3.** For security considerations, you need to create a password for the first time.

11:33


7.1KB/s




### Device initialization




First step

## Create device password

The account info is required when you access device(s) on other platforms. Keep it for quicker access.

 admin (Default device account)

 . . . . .  

 . . . . . |  

Password strength: Weak

[Next](#)

**Step 4.** Name your device. Then tap **Next**.

14:22

16.1KB/s

### Device initialization

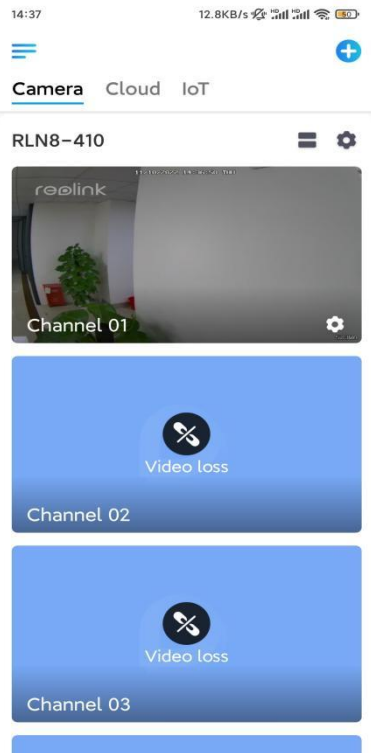
Second step

## Name Your Device

Name your camera

[Next](#)

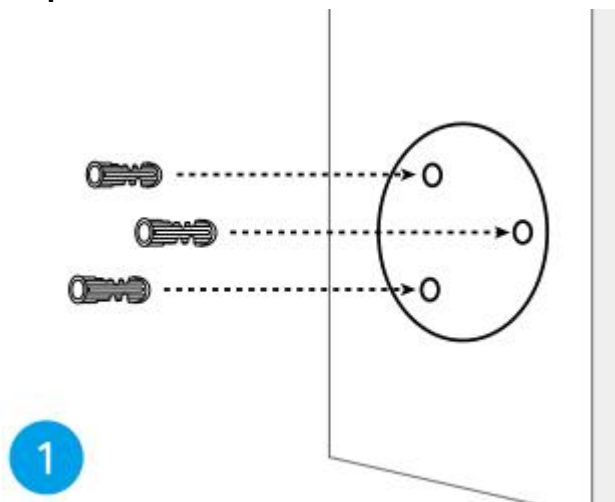
**Step 5.** Initialization finished! You can start to live view now.



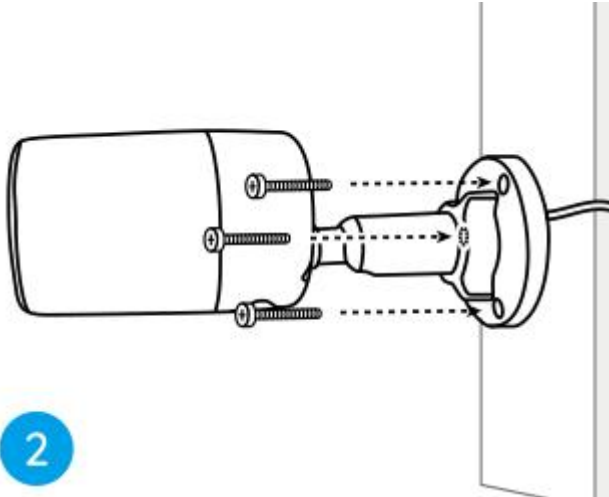
## Install the Camera

Please follow the steps below to install the camera.

**Step 1.** Drill holes in accordance with the mounting hole template.



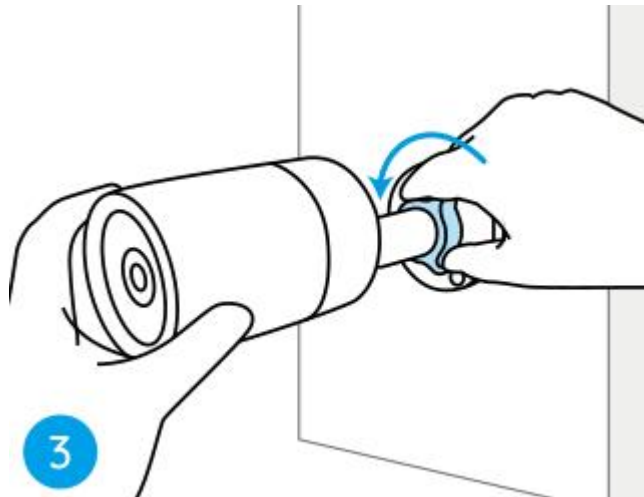
**Step 2.** Install the mount base with the mounting screws included in the package.



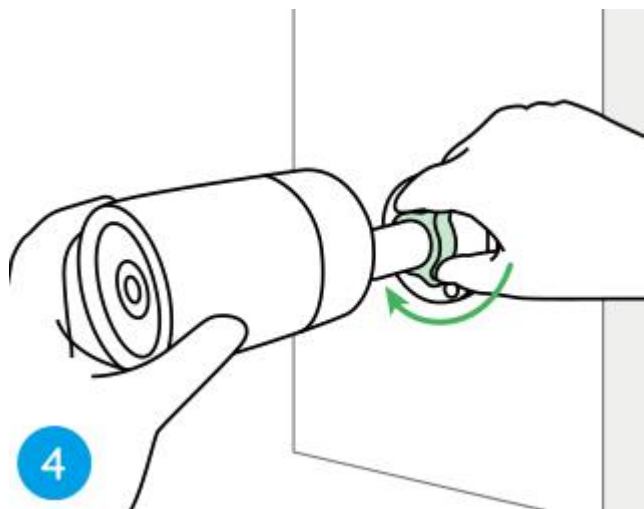
**Notes:**

Run the cable through the cable notch on the mount base.

**Step 3.** loosen the adjustment knob by twisting it counterclockwise on the security mount, and turn the camera to get an ideal view.



**Step 4.** Turn the knob clockwise to fix the camera in place.



**Note:** If your camera has another mount without the adjusting knob, please loosen

the adjusting screw with the provided hex key and turn the camera as shown below to adjust the angle.

