

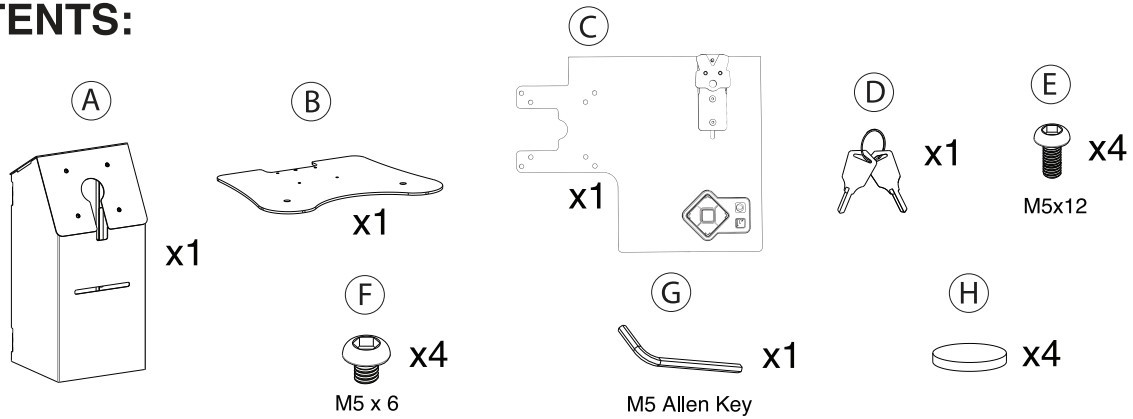


VESA Compatible Desk Mount with Printer Shelf Compartment

ADD-PARPDMCR

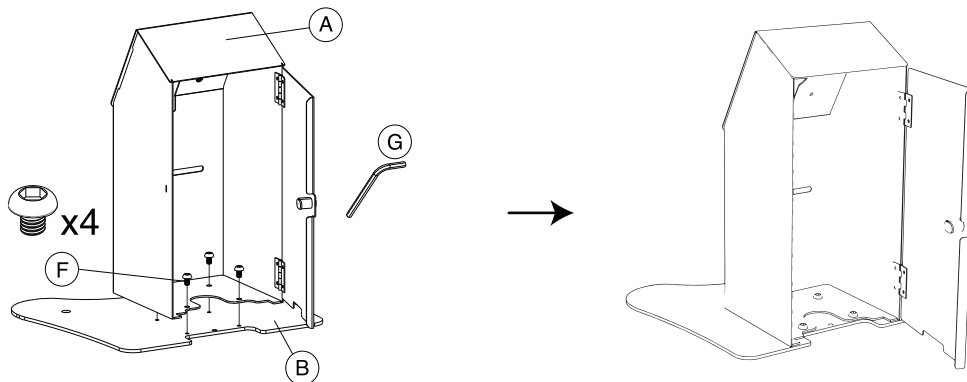
INSTRUCTION - MANUAL

CONTENTS:



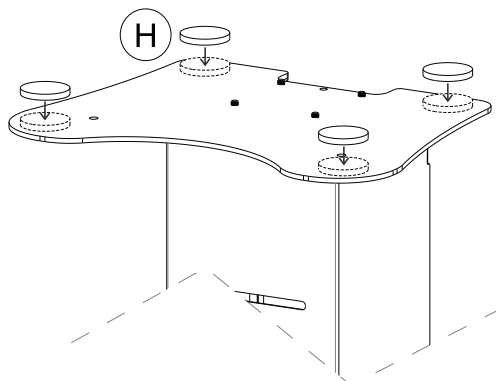
INSTALLATION:

1. Assembling base



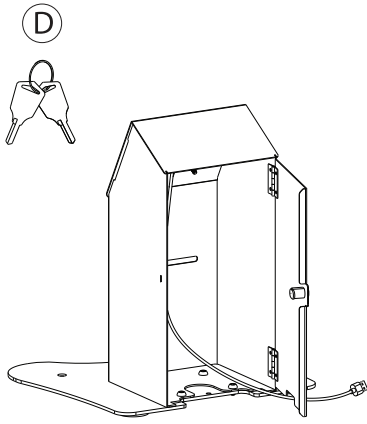
1A. Connect base (B) with body (A). Take the body (A) and align the mounting holes. Rotate in (4) screws (F) with provided allen key (G) until securely tightened.

2. Attaching Base Pads

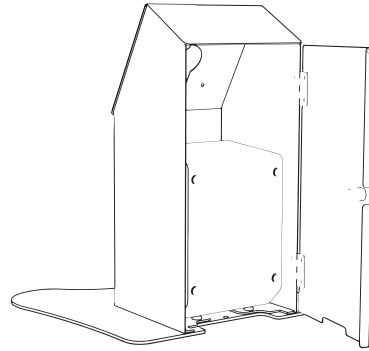


2A. Flip over the now combined base section. Find the base pads (H) and peel off the sticker to expose the adhesive. Place the foam pads (adhesive face down on base) at the corners and give it a firm press for a few seconds until it's securely attached.

3. Cable Routing and Storage Management

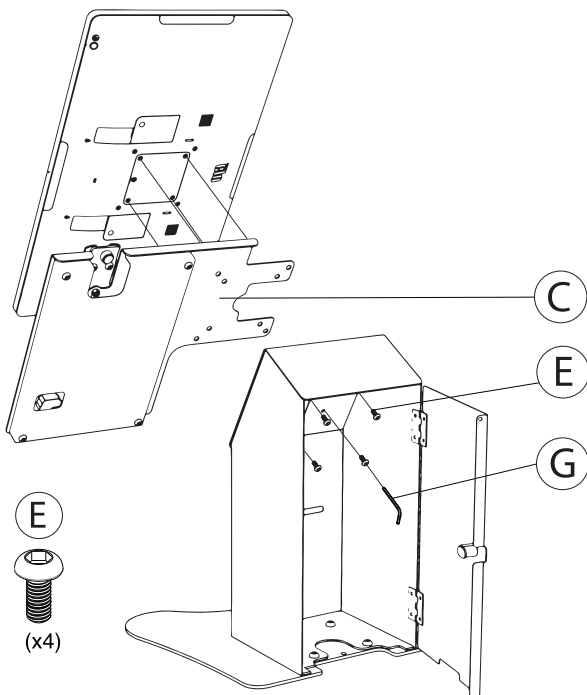


****Card reader device and arrow pad NOT included and for example purposes only**

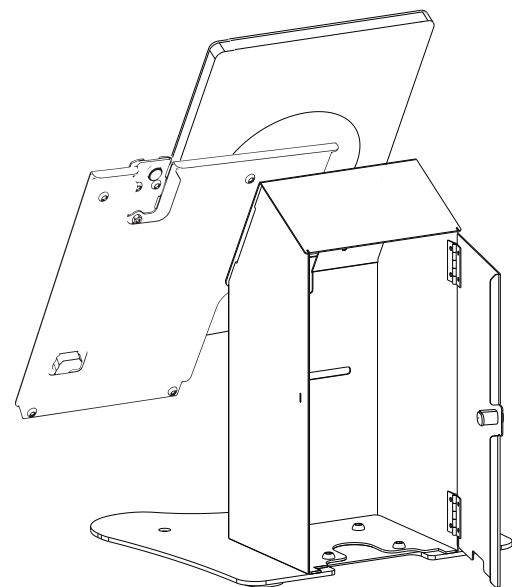


3A. First, unlock back compartment door using keys (D). Fish wire through the top to connect with device and out the bottom to your outlet or desired power source. Insert the printer device and close door, insert key (D) and rotate to lock.

4. Attaching Base to Card Reader Holder Panel and Monitor



****Monitor and card reader device NOT included and for example purposes only**



4A. Make sure the back door of base is open so you have access. Align VESA holes of card reader panel (C) to the VESA holes of the kiosk base and the monitor (not included) in portrait mode as illustrated above. Then rotate in from the back (4) screws (E) using the provided allen key tool (G). Rotate through the VESA holes of the base through the reader VESA holes and finally into the back of the monitor until securely fastened. Plug or connect any corresponding wires or cables as needed.

