



Boldly Creative



Expert Customer Service

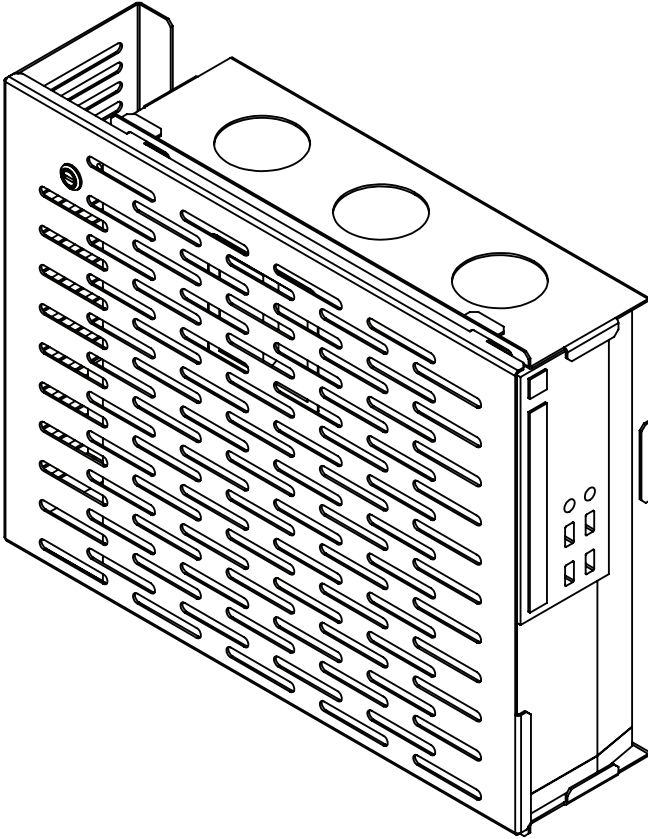


Focus On Quality



Ships Same Day

Dell PC Wall Mount



Installation Instructions

Kit P/N: 104-4778 104-6508
104-8988

Kit Contents

Kit Contents:

- (1) Main Bracket
- (1) Cover

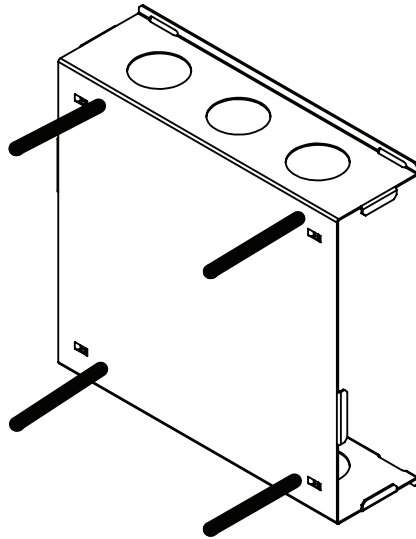
Mounting Hardware:

- (4) Pan Head Screw
- (4) Anchors

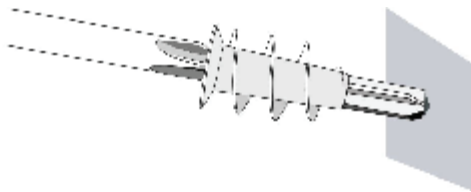
PC Wall Mount Installation Instructions

Step 1 Determine Location: Select an appropriate location on the wall. Consider cable routing and length.

Step 2 Mark Hole Position: Hold the base in position and mark 4 hole positions with a pencil.

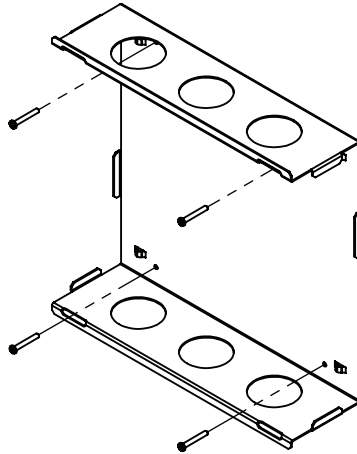


Step 3 Install Drywall Anchor: Install one drywall anchor at each hole mark. Using a #2 Phillips head screw driver press the anchor into the drywall while turning clockwise until it is seated flush with the wall.

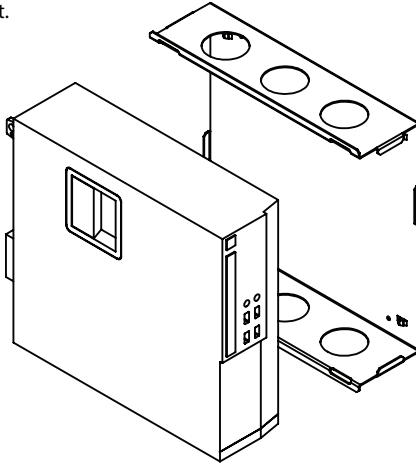


PC Wall Mount Installation Instructions

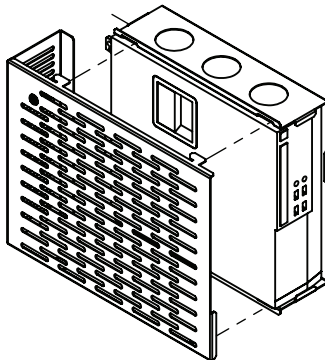
Step 4 **Main Bracket Attachment:** Secure the Main Bracket on to the wall with the supplied Pan Head Screws.



Step 5 **Computer and Cover Attachment:** Slide the Computer into the front of the mounted Main Bracket.



Step 6 **Cover Installation:** Align the tabs with the holes in the Main Bracket and lock the cover into place.



You're going to ♥ working with us Global company - small town service

Custom Engineering

Our top notch (in-house) mechanical and electrical engineers are available to solve your toughest custom design challenges.



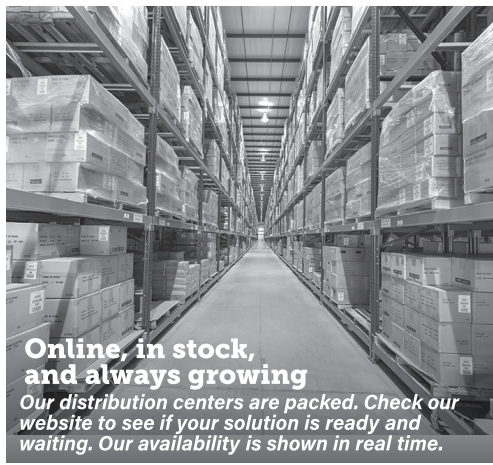
On-Site Manufacturing

Our manufacturing facility is on-site at our Texas headquarters. If we send them a drawing in the morning, we can have parts ready to ship-out that evening.



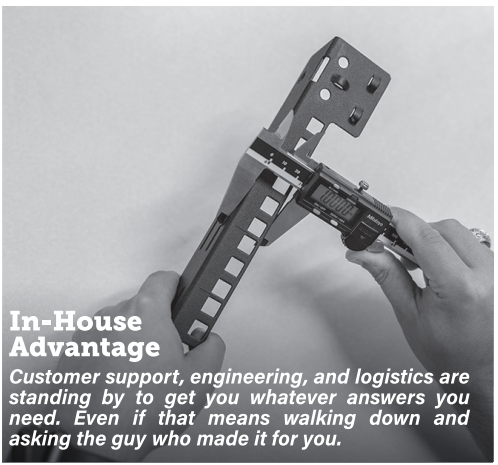
Online, in stock, and always growing

Our distribution centers are packed. Check our website to see if your solution is ready and waiting. Our availability is shown in real time.



In-House Advantage

Customer support, engineering, and logistics are standing by to get you whatever answers you need. Even if that means walking down and asking the guy who made it for you.



Warranty Statement
Innovation First, Inc. warrants our products against defects in material and workmanship for a period of one (1) year from the date of purchase. Innovation First, Inc. liability shall be limited to repairing or replacing, at our option, any defective product.

4778 **6508** **8988**