



OWNER'S MANUAL

LG UltraFine™ Display

OLED Pro

(Professional Video Display)

Please read the user manual before using this product to ensure safe and convenient use.

65EP5Q-B

TABLE OF CONTENTS

BASIC 3

- Checking the Accessories.....3
- Buttons and Terminal.....4

CHECKING BEFORE INSTALLATION 6

- Precautions for Transport.....7
- Installing the Device.....8
- Attaching the Stand.....10
- Organizing the Cables.....15
- Installing on a shelf17
- Installing on a Wall.....18

PRECAUTIONS FOR USE.....20

- Dust.....20
- OLED Image sticking20

PRODUCT SPECIFICATIONS22

LICENSES30

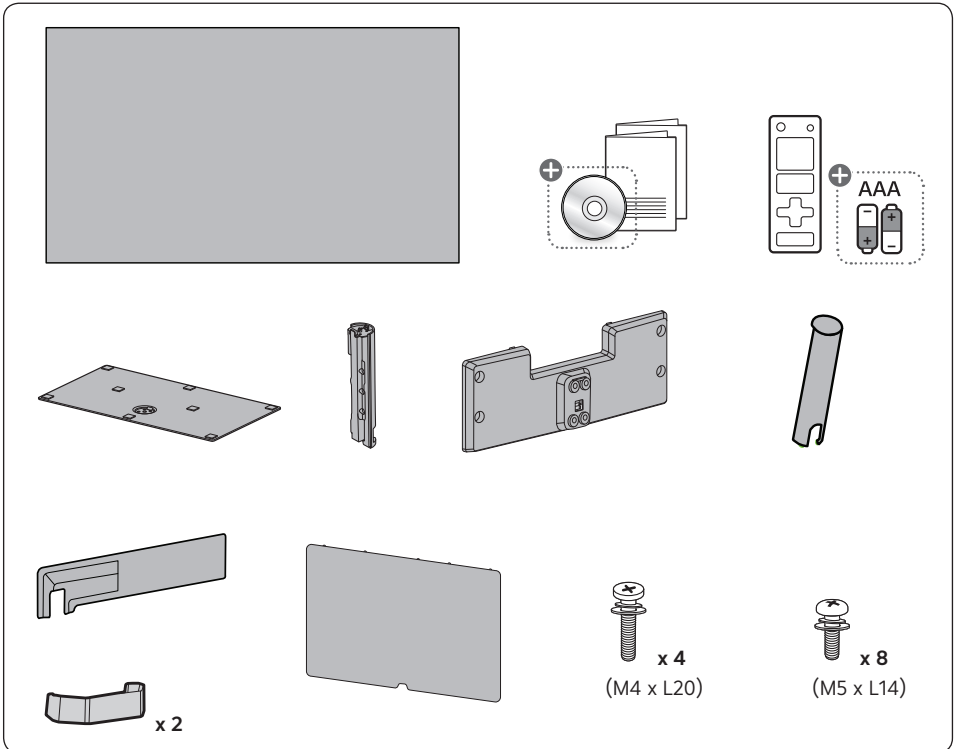
WARNING - This equipment is compliant with Class A of CISPR 32. In a residential environment this equipment may cause radio interference.

BASIC

! NOTE

- The accessories provided with your product may vary depending on the model or region.
- Product specifications or contents in this manual may be changed without prior notice due to upgrade of product functions.
- SuperSign Software & Manual
 - Visit <https://partner.lge.com> to download the latest SuperSign software and manual.

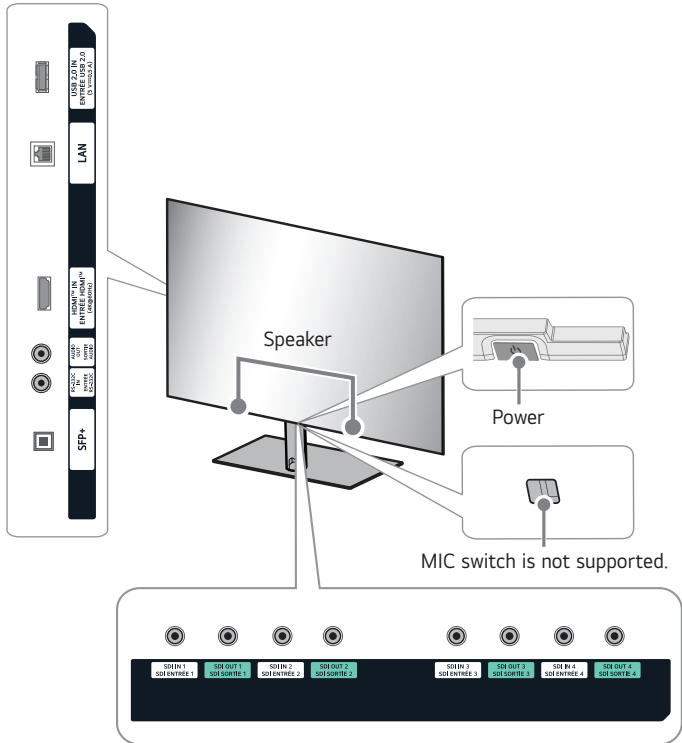
Checking the Accessories



⊕ Depending on country

Buttons and Terminal

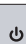
Front






Learning the Buttons



- Power On (Press)
- Quick Menu (Press ¹)
- Menu Selection (Press ²)
- Power Off ³ (Press and Hold)

- 1 When the monitor is turned on, press the  button one time.
- 2 You can use the function when you control menu.
- 3 All running apps will close.

Quick Menu

-  Turns the power off.
-  Changes the input source.
-  Adjusts the volume level.

Rear

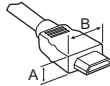
- **SFP+** : This is a slot that supports SDI optical signals up to 25Gbps and SDI over IP.
- **RS-232C IN** : Updates and calibrate the software.
- **AUDIO OUT** : Outputs sound through headphones.
- **HDMI™ IN**: Connects HDMI signal. Please refer to the HDMI supported resolutions page. (Refer to page 28)
- **USB 2.0 IN** : Updates the software.
- **SDI IN (SDI Input)** : Connects SDI signal. Please refer to the SDI supported resolution page. (Refer to page 24)
- **SDI OUT (SDI Output)** : Outputs the signal entered through the SDI input terminal. (Loops through the SDI input signal.)

CHECKING BEFORE INSTALLATION

We are not responsible for product damage caused by failure to follow the guide.

CAUTION

- Do not touch the screen. Scratches or damage to the OLED screen may occur.
- It may take about one minute to initialize the product when the power is turned on for the first time after shipment from the factory.
- The images of the product in this manual are to aid comprehension and may differ from the actual appearance.
- Various accessories are subject to change or may be added without prior notice to improve the quality of the product.
- Install the product near a socket. When turning off the product, some products may not have a power on / off button, so turn off the power with the remote control and unplug the power cord.
- When connecting an HDMI cable / USB cable or USB memory stick to the HDMI input / USB input terminal, use a product with a width of 18 mm (0.7 inches) and a thickness of 10 mm (0.3 inches) or less. If the size of the USB cable or USB memory stick to be used does not match the USB port on your device, use an extension cable that supports USB 2.0.



* A \leq 10 mm (0.3 inches)

* B \leq 18 mm (0.7 inches)

Precautions for Transport

When moving this device, follow the precautions below to transport it safely without causing scratches or other damage.

- Please use the original box or packing material when transporting the device.
- Before moving or lifting the device, unplug all power cords and cables.
- When carrying the device, hold the back of the device.
- Hold the side and bottom of the frame firmly. Do NOT hold the transparent parts, speakers, or speaker grilles. When moving the device, do NOT grip the panel. Hold it securely from the bottom as shown in the figure below. Gripping or squeezing the panel tightly may result in damage or breakage.
- Unpacking, carrying, and installing the device must be done by two or more people. Dropping the device may cause personal injury or equipment damage.
- When transporting the device, carry it as shown in the figure below. Keep the device upright. Do NOT tilt or turn it on its side.
- When moving the device, avoid exposure to impact or excessive vibration. When removing the device from the box or repositioning it, do NOT hold or grip the top, the upper parts or any of the four corners. Doing so may damage the panel.

Installing the Device

Attach the stand or wall mount bracket to the device and install it on a table or wall.

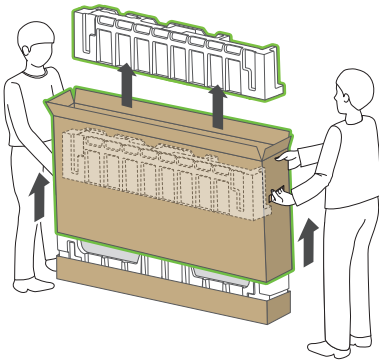
Do NOT hold, grip, or grasp the top, upper sides, or any of the four corners of the device when unpacking or moving it. Doing so may cause damage to the screen.

Hold the device at the locations indicated in the figure when lifting or moving it.

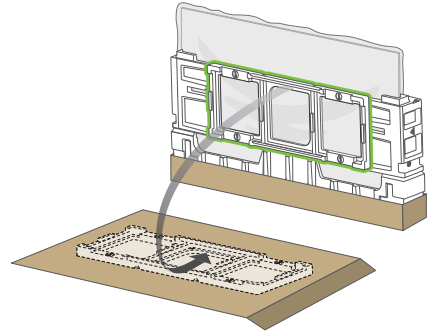
⚠ CAUTION

- Be especially careful to not grip or grasp the corners of the device.

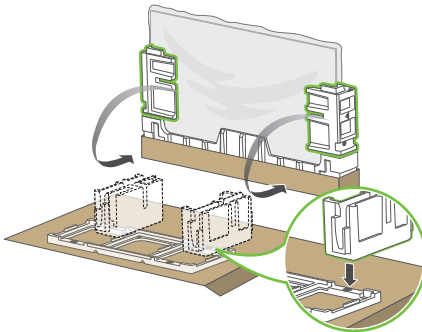
1



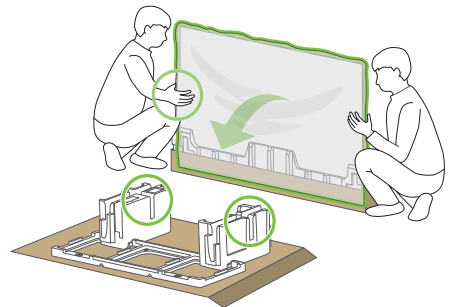
2



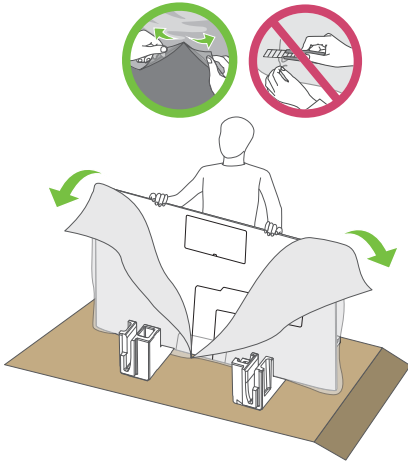
3 Use the packing materials as shown in the figure below to attach the stand.



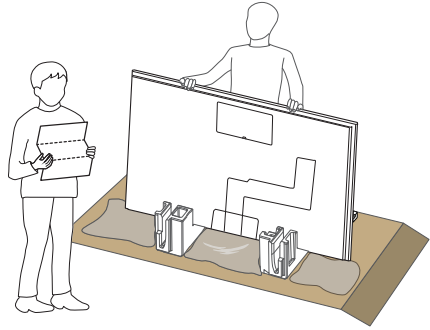
4



5 Remove the protective cover by hand. Do NOT use cutters or similar tools, as they may cause injury.



6 Hold the device firmly to prevent it from tipping over.



Attaching the Stand

To attach the device on a wall, the following steps are not required.



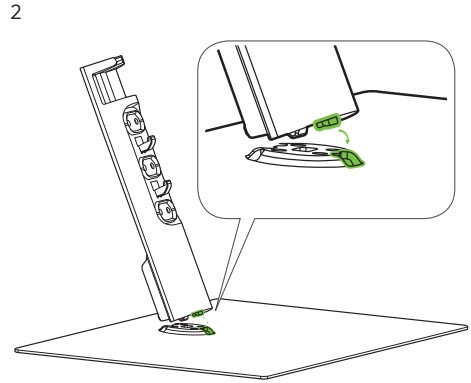
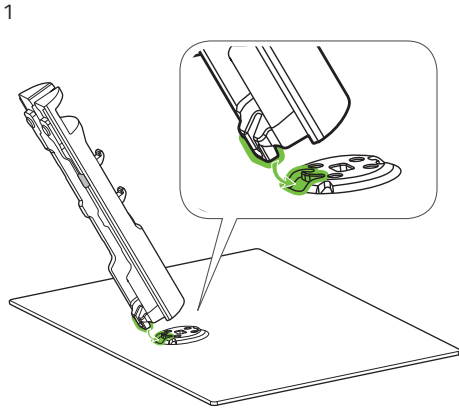
CAUTION

- When attaching the stand, place the device face down on a flat surface covered with a soft cloth to avoid damaging the screen.
- Do not apply foreign substances such as oil or lubricant to the screws during assembly, as this may cause damage to the device.
- When assembling the stand, be sure to firmly tighten all screws to prevent them from loosening. If any screw is not properly secured, the device may tilt or fall, resulting in damage. Do NOT over-tighten the screws. Over-tightening may damage the connection and loosen the screw hole, preventing secure fastening.
- Tighten the screws securely while taking care not to tilt the device forward or apply excessive force.
- Be careful not to pinch your fingers or hands during assembly.

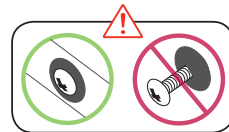
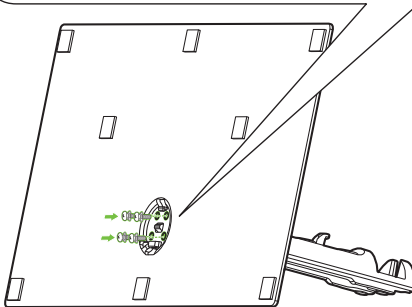
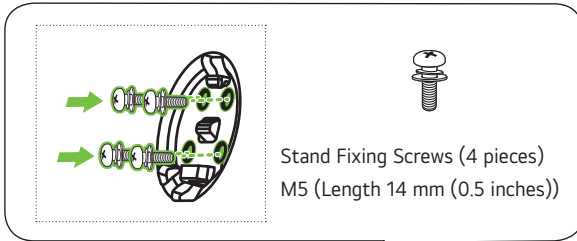


NOTE

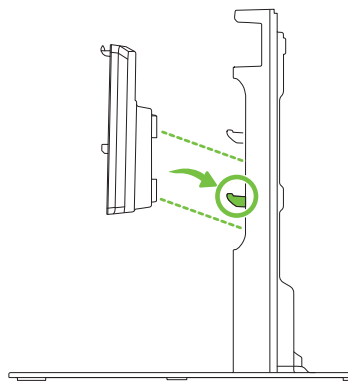
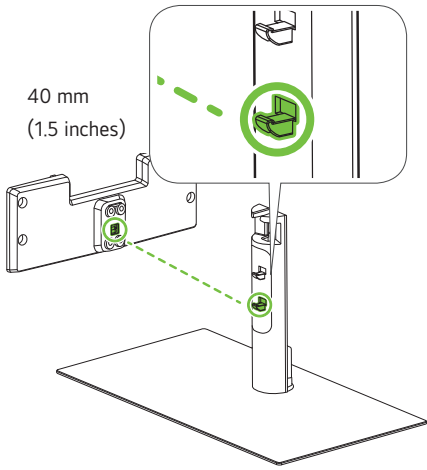
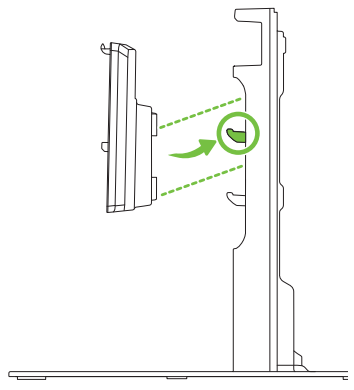
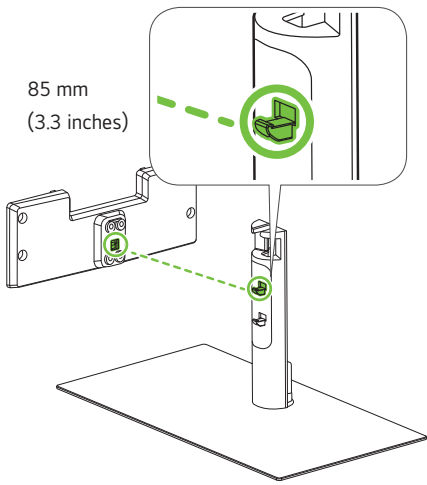
- To remove the stand, reverse the assembly steps.



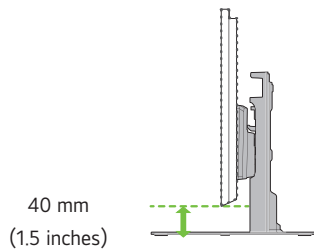
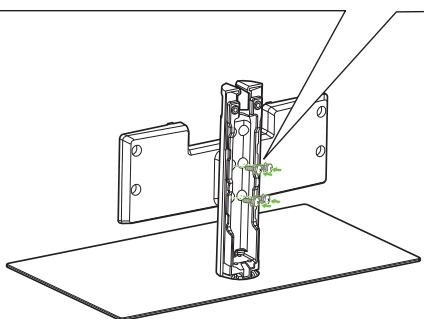
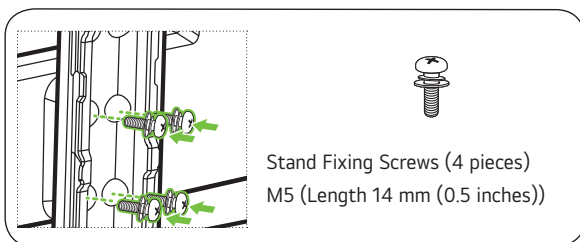
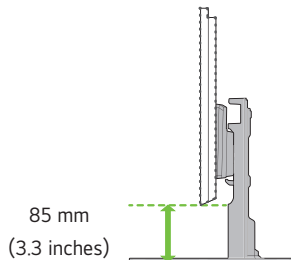
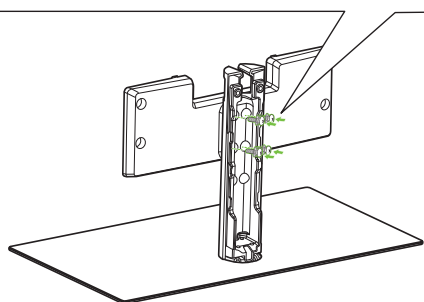
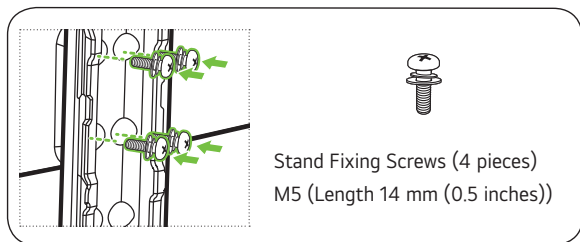
3 Secure the stand with screws.

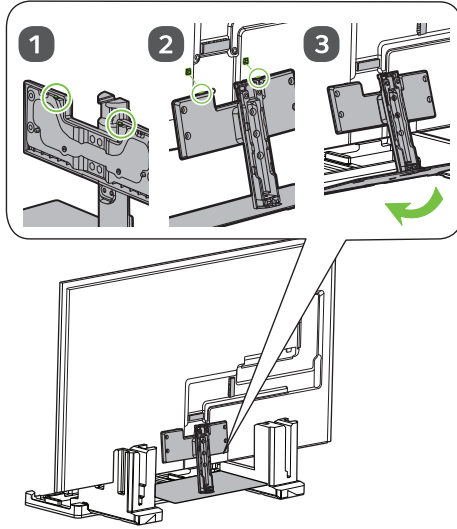


4

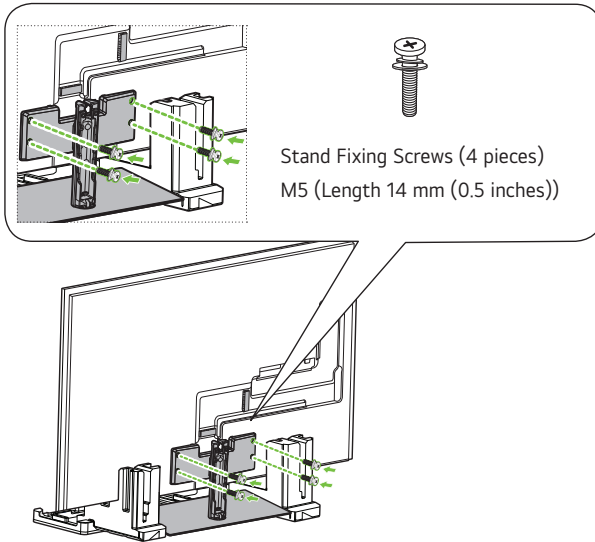


5





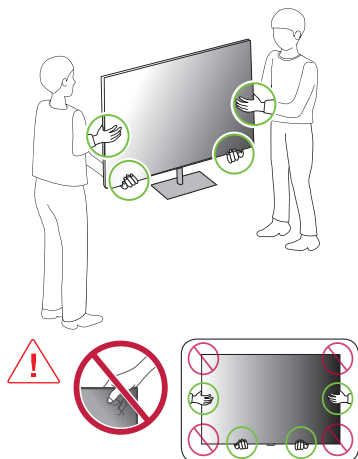
7 Secure the stand with screws.



Organizing the Cables

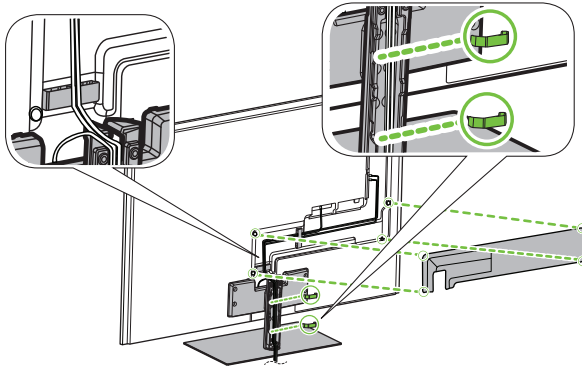
CAUTION

- When moving the device, remove the cable holder. Failure to do so may damage the cable or cause malfunction.
- Hold the parts marked with green circles.

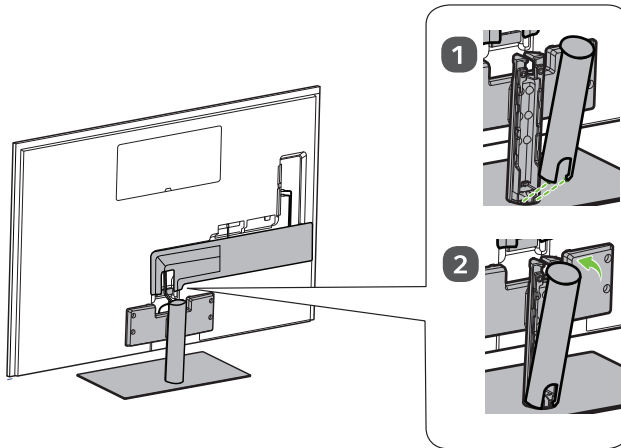


Open the protective cover and organize the cables, as shown in the figure.

1



2



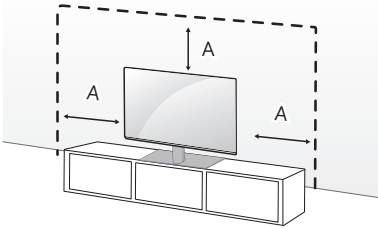
! NOTE

- Only cables with a thickness of $\varnothing 8$ or less can be assembled with the cable holder and cable cover.
- It is recommended not to use the holder as the SDI cable may be damaged due to excessive bending when using the holder.

Installing on a shelf

1 Place the device on the stand.

- Install the product on a flat, level and stable surface. Avoid installing it on slippery, soft surfaces such as carpets, or unstable locations.
- To allow for heat dissipation, ensure there is sufficient space around the device, as shown in the figure below.



A : At least 10 cm (3.9 inches)

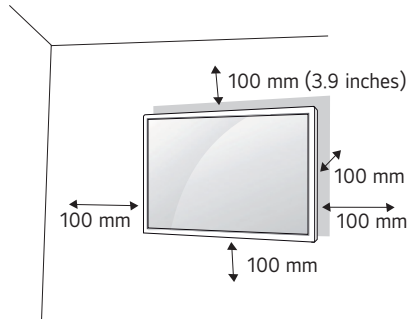
- Do not place the device near heat sources. Doing so may cause a fire.
- The remote control may not work properly depending on the placement of the soundbar or speakers, or the surrounding environment. In such cases, install the soundbar (or speaker) at least 10–15 cm (3.9–5.9 inches) away from the device.
- Placing the device on stands made of delicate materials such as lacquer, gold leaf, or varnish may cause the coating to peel or become damaged.

2 Take measures to prevent the device from tipping over.

- When attaching and installing the stand, be sure to implement anti-tip precautions.
- To prevent tipping, it is recommended to attach the anti-tip band to the device and secure it to the stand using the included screws.
- Depending on the type of stand or rack, if the included wood screws are unusable or not sufficiently long, purchase screws with a diameter of 4 mm (0.1 inches). Please contact the local dealer for further details.
- After securing the device, place the stand close to a wall to prevent small children from entering the space behind it.

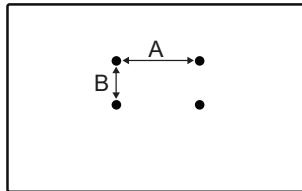
Installing on a Wall

For proper ventilation, allow a clearance of 100 mm on each side and from the wall. Detailed installation instructions are available from your dealer, see the optional Tilt Wall Mounting Bracket Installation and Setup Guide.



To install your monitor on a wall, attach a wall mounting bracket (optional part) to the back of the monitor. Make sure that the wall mounting bracket is securely fixed to the monitor and to the wall.

- 1 Use only screws and wall mounting brackets that conform to VESA standards.
- 2 Screws which are longer than standard length may damage the inside of the monitor.
- 3 A non-VESA standard screw may damage the product and cause the monitor to fall. LG Electronics is not liable for any accidents related to the use of non-standard screws.
- 4 Please use VESA standard as below.



Model	VESA (A x B) (mm (inches))	Standard screw	Length (Max) (mm (inches))	Number of screws
65EP5Q-B	300 x 300 (11.8 x 11.8)	M6	11 (0.4)	4

! NOTE

- Full Contact Wall Mount installation is not supported.

 **CAUTION**

- Disconnect the power cord before moving or installing the monitor to avoid risk of electric shock.
- If you install the monitor on a ceiling or slanted wall, it may fall and result in injury. Use an authorized LG wall mount and contact your local dealer or qualified personnel to assist with the installation.
- Do not over tighten the screws as this may damage the monitor and void your warranty.
- Use only screws and wall mounting brackets that meet the VESA standard. Any damage or injuries caused by misuse or use of improper accessories are not covered by the warranty.
- Do not install this product on a wall if it could be exposed to oil or oil mist. This may damage the product and cause it to fall.

 **NOTE**

- The wall mount kit includes the installation guide and all necessary parts.
- The wall mounting bracket is optional. You can obtain additional accessories from your local dealer.
- The length of screws required may differ depending on the wall mount. Be sure to use the correct length.
- For more information, please refer to the guide provided with the wall mount.

PRECAUTIONS FOR USE

Dust

The warranty will not cover any damage caused by using the product in an excessively dusty environment.

OLED Image sticking

Precautions for Protecting the OLED Signage screen

Unlike regular LED/LCDs, OLED Signage produce images that emit light for each pixel, achieving a perfect black colour and delivering clear images without blurring.

Due to the nature of the organic materials used to achieve high-resolution image quality, OLED displays generally experience image retention on the screen, which can be a persistent phenomenon. This phenomenon is observed in all OLED panels, and although recommended picture modes can minimise image retention, current technology cannot completely prevent this from occurring.

Displaying the same image for a long time or repeatedly displaying the same image can cause image retention on the screen, which is a common phenomenon in OLED panel products due to the nature of the product.


This product has a built-in screen protection feature. Avoid displaying images that are likely to cause image retention, and follow the recommendations.

Images that are likely to cause image retention

- Images with black areas on the top and bottom and/or the left and right sides of the screen.
- Images whose aspect ratio is 4:3 or 21:9.
- Images that are fixed for a long time, such as program number, station logo, game console icon, set-top box menu, etc.
- Other fixed screen images or repeatedly displayed images.

Running [Pixel Cleaning] to Protect the OLED Signage Screen

The OLED Signage is equipped with a pixel cleaning feature to check the status of the screen by itself and prevent image retention that leaves an image on a screen. This feature automatically calculates the optimal execution time based on the accumulated viewing time and is automatically executed when the OLED Signage is turned off. While this feature is running, horizontal lines may appear at the top and bottom of the screen. The pixel cleaning feature works when the product is connected to the power cord and main power.

To run this function manually, press the  button on the remote control, go to [Picture Advanced] → [OLED Panel Settings] and press [Pixel Cleaning].

CAUTION

- When the screen is showing one fixed image for a long time, the screen brightness will be automatically reduced and then restored once the screen content changes. This is a normal function to minimise image retention.

PRODUCT SPECIFICATIONS

Without prior notice, all product information and specifications contained in this manual are subject to change to improve the performance of the product.

The ~ symbol means alternating current, and the symbol --- means direct current.

Item		Standard		Note		
Power Supply		120 V~ 50/60 Hz				
Input	HDMI	Maximum Resolution	4096 x 2160 @ 60 Hz		<ul style="list-style-type: none"> • HDMI Cable Length - 4096 x 2160 60 Hz: 3 m (9.8 feet) - 4096 x 2160 30 Hz: 10 m (32.8 feet) - 1920 x 1080 60 Hz: 15 m (49.2 feet) • Refer to the supported resolutions page for details 	
		Recommend Resolution	3840 x 2160 @ 60 Hz			
		HDCP Support	HDCP2.2 & HDCP1.4			
		Color Format & Depth	4K @ 60 / 50 Hz	RGB444 / YCbCr444, 8 bits		
				YCbCr422 12 bits		
				YCbCr420 8 bits		
	4K @ 30 / 25 / 24 Hz		RGB444 / YCbCr444, 8 / 10 / 12 bits			
			YCbCr422 12 bits			
	SDI (4 x BNC)	Maximum Resolution	4096 x 2160 @ 60 Hz (12G Input 4Ch each)			<ul style="list-style-type: none"> • SDI Cable Length (Cable type: Belden 1694A 4.5 C) - 12G (2160p 60): 50 m (164.0 feet) - 6G (2160p 30): 100 m (328.0 feet) - 3G (1080p 60): 150 m (492.1 feet) - HD (1080i 60): 250 m (820.2 feet) - SD (525i 59.94): 300 m (984.2 feet) • Refer to the supported resolutions page for details
		Recommend Resolution	3840 x 2160 @ 60 Hz (12G Input 4Ch each)			
Color Format & Depth		4K @ 60 / 50 Hz	YCbCr422 10 bits			
			RGB444 / YCbCr444, 10 / 12 bits			
		4K @ 30 / 25 Hz	YCbCr422 10 / 12 bits			

Item		Standard		Note		
Input	SFP+	Maximum Resolution	4096 x 2160 @ 60 Hz		* Supported SFP+ Module: Embrionix SDI SFP+ module	
		Recommend Resolution	3840 x 2160 @ 60 Hz			
		Color Format & Depth	4K @ 60 / 50 Hz	YCbCr422 10 bits		
			4K @ 30 / 25 Hz	RGB444 / YCbCr444, 10 / 12 bits		
				YCbCr422 10 / 12 bits		
	USB	USB version	USB2.0, set 1 (rear)		Service (SW Update)	
	RS232C IN	SW update and Calibration			4P, 3.5 mm (0.1 inches) Phone Jack	
IR	IR Receiver	X				
LAN	RJ45, 8pin	100Base-T		100M only		
Output	Headphone	Output type	Single Ended (L / R Stereo)		3P, 3.5 mm (0.1 inches) Phone Jack	
		Output level	Min / Typ. / Max (0.627 mV / 0.98 mV / 1.334 mV)			
	SDI (4 x BNC)	Loop Through	SDI input format to SDI output (up to 12G SDI)			
Use Environment	Operating Temperature	0 ~ 40 °C (32 ~ 104 °F)				
	Operating Humidity	10 ~ 80 %				
	Storage Temperature	-20 ~ 60 °C (-4 ~ 140 °F)				
	Storage Humidity	5 ~ 85 %				
Power Consumption	Max	450 W				
	Typ	350 W				
	Standby Mode	0.5 W				
Dimensions (Width x Depth x Height) / Weight		Head	1441 mm x 24.3 mm x 826 mm / 22 kg (56.7 x 0.9 x 32.5 inches / 48.5 lbs)			
		Head + Stand	1441 mm x 263 mm x 865/910 mm / 27.3 kg (56.7 x 10.3 x 34.0/35.8 inches / 60.1 lbs)			

SDI Support mode

Interfaces		Signal Format	
12G Single Link 4K (ST 2082-10)	3840 x 2160 4096 x 2160	YCbCr 4:2:2 10 bit	47.95 / 48 / 50 / 59.94 / 60p
		YCbCr 4:2:2 12 bit	23.98 / 24 / 25 / 29.97 / 30p
		YCbCr 4:4:4 10 bit	
		YCbCr 4:4:4 12 bit	
		RGB 4:4:4 10 bit	
		RGB 4:4:4 12 bit	
6G Single Link 4K (ST 2081-10)	3840 x 2160 4096 x 2160	YCbCr 4:2:2 10 bit	23.98 / 24 / 25 / 29.97 / 30p
Quad Link 3G_A/B 4K 2-Sample Interleave (ST 425-5)	3840 x 2160 4096 x 2160	YCbCr 4:2:2 10 bit	47.95 / 48 / 50 / 59.94 / 60p
		YCbCr 4:2:2 12 bit	23.98 / 24 / 25 / 29.97 / 30p
		YCbCr 4:4:4 10 bit	
		YCbCr 4:4:4 12 bit	
		RGB 4:4:4 10 bit	
		RGB 4:4:4 12 bit	
Quad Link 3G_A/B 4K Square (ST 425-5)	3840 x 2160 4096 x 2160	YCbCr 4:2:2 10 bit	47.95 / 48 / 50 / 59.94 / 60p
		YCbCr 4:2:2 12 bit	23.98 / 24 / 25 / 29.97 / 30p
		YCbCr 4:4:4 10 bit	
		YCbCr 4:4:4 12 bit	
		RGB 4:4:4 10 bit	
		RGB 4:4:4 12 bit	
Quad Link HD 4K Square (ST 425-3)	3840 x 2160 4096 x 2160	YCbCr 4:2:2 10 bit	23.98 / 24 / 25 / 29.97 / 30p ¹⁾
Dual Link 3G_A (ST 425-3)	1920 x 1080 2048 x 1080	YCbCr 4:2:2 12 bit	47.95 / 48 / 50 / 59.94 / 60p
		YCbCr 4:4:4 10 bit	
		YCbCr 4:4:4 12 bit	
		RGB 4:4:4 10 bit	
		RGB 4:4:4 12 bit	

1) PsF (Progressive Segmented Frames) supported.

Interfaces		Signal Format	
3G_B Dual Link (ST 425-1)	1920 x 1080 2048 x 1080	YCbCr 4:2:2 10 bit	47.95 / 48 / 50 / 59.94 / 60p
		YCbCr 4:2:2 12 bit	23.98 / 24 / 25 / 29.97 / 30p ¹⁾ 50 / 59.94 / 60i
		YCbCr 4:4:4 10 bit	
		YCbCr 4:4:4 12 bit	
		RGB 4:4:4 10 bit	
RGB 4:4:4 12 bit			
3G_A Single Link (ST 425-1)	1280 x 720	YCbCr 4:4:4 10 bit	50/59.94/60 p
		RGB 4:4:4 10 bit	
	1920 x 1080 2048 x 1080	YCbCr 4:2:2 10 bit	23.98 / 24 / 25 / 29.97 / 30p ¹⁾ 50 / 59.94 / 60i
		YCbCr 4:2:2 12 bit	
		YCbCr 4:4:4 10 bit	
		YCbCr 4:4:4 12 bit	
		RGB 4:4:4 10 bit	
RGB 4:4:4 12 bit			
Dual Link HD (ST 372)	1920 x 1080 2048 x 1080	YCbCr 4:2:2 10 bit	47.95 / 48 / 50 / 59.94 / 60p
		YCbCr 4:2:2 12 bit	23.98 / 24 / 25 / 29.97 / 30p ¹⁾ 50 / 59.94 / 60i
		YCbCr 4:4:4 10 bit	
		YCbCr 4:4:4 12 bit	
		RGB 4:4:4 10 bit	
RGB 4:4:4 12 bit			
HD Single Link (ST 292)	1280 x 720	YCbCr 4:2:2 10 bit	23.98 / 24 / 25 / 29.97 / 30 / 50 / 59.94 / 60p
	1920 x 1080 2048 x 1080		23.98 / 24 / 25 / 29.97 / 30p ¹⁾ 50 / 59.94 / 60i
SD Single Link (ST 259)	720 x 480	YCbCr 4:2:2 10 bit	59.94i
	720 x 576	YCbCr 4:2:2 10 bit	50i

1) PsF (Progressive Segmented Frames) supported.

SFP+ Support mode

Interfaces		Signal Format	
12G Single Link 4K (ST 2082-10)	3840 x 2160 4096 x 2160	YCbCr 4:2:2 10 bit	47.95 / 48 / 50 / 59.94 / 60p
		YCbCr 4:2:2 12 bit	23.98 / 24 / 25 / 29.97 / 30p
		YCbCr 4:4:4 10 bit	
		YCbCr 4:4:4 12 bit	
		RGB 4:4:4 10 bit	
		RGB 4:4:4 12 bit	
6G Single Link 4K (ST 2081-10)	3840 x 2160 4096 x 2160	YCbCr 4:2:2 10 bit	23.98 / 24 / 25 / 29.97 / 30p
3G_A Single Link (ST 425-1)	1280 x 720	YCbCr 4:4:4 10 bit	23.98 / 24 / 25 / 29.97 / 30 / 50 / 59.94 / 60p
		RGB 4:4:4 10 bit	
	1920 x 1080 2048 x 1080	YCbCr 4:2:2 10 bit	23.98 / 24 / 25 / 29.97 / 30p ¹⁾ 50 / 59.94 / 60i
		YCbCr 4:2:2 12 bit	
		YCbCr 4:4:4 10 bit	
		YCbCr 4:4:4 12 bit	
		RGB 4:4:4 10 bit	
		RGB 4:4:4 12 bit	
HD Single Link (ST 292)	1280 x 720	YCbCr 4:2:2 10 bit	23.98 / 24 / 25 / 29.97 / 30 / 50 / 59.94 / 60p
	1920 x 1080		23.98 / 24 / 25 / 29.97 / 30p ¹⁾ 50 / 59.94 / 60i
	2048 x 1080		
SD Single Link (ST 259)	720 x 480	YCbCr 4:2:2 10 bit	59.94i
	720 x 576	YCbCr 4:2:2 10 bit	50i

1) PsF (Progressive Segmented Frames) supported.

Quad View Support mode

Interfaces	Signal Format		
12G Single Link 4K (ST 2082-10)	3840 x 2160 4096 x 2160	YCbCr 4:2:2 10 bit	47.95 / 48 / 50 / 59.94 / 60p
		YCbCr 4:2:2 12 bit	23.98 / 24 / 25 / 29.97 / 30p
		YCbCr 4:4:4 10 bit	
		YCbCr 4:4:4 12 bit	
		RGB 4:4:4 10 bit	
		RGB 4:4:4 12 bit	
6G Single Link 4K (ST 2081-10)	3840 x 2160 4096 x 2160	YCbCr 4:2:2 10 bit	23.98 / 24 / 25 / 29.97 / 30p
3G_A Single Link (ST 425-1)	1920 x 1080 2048 x 1080	YCbCr 4:2:2 10 bit	47.95 / 48 / 50 / 59.94 / 60p
		YCbCr 4:2:2 12 bit	23.98 / 24 / 25 / 29.97 / 30p
		YCbCr 4:4:4 10 bit	
		YCbCr 4:4:4 12 bit	
		RGB 4:4:4 10bit	
		RGB 4:4:4 12bit	
HD Single Link (ST 292)	1920 x 1080 2048 x 1080	YCbCr 4:2:2 10 bit	23.98 / 24 / 25 / 29.97 / 30p

* Support only at all same resolutions in each SDI inputs for Quad View.

* Quad Link only supports Progressive resolution.

HDMI Support Mode

Signal Format		
640 x 480 720 x 480 800 x 600 1024 x 768 1280 x 720	RGB 4:4:4 8 / 10 / 12 bit	60p
	YCbCr 4:4:4 8 / 10 / 12 bit	
	YCbCr 4:2:2 12 bit	
720 x 576 1280 x 720	RGB 4:4:4 8 / 10 / 12 bit	50p
	YCbCr 4:4:4 8 / 10 / 12 bit	
	YCbCr 4:2:2 12 bit	
1920 x 1080	RGB 4:4:4 8 / 10 / 12 bit	24 / 25 / 30 / 50 / 60p 50 / 60i
	YCbCr 4:4:4 8 / 10 / 12 bit	
	YCbCr 4:2:2 12 bit	
2048 x 1080	RGB 4:4:4 8 / 10 / 12 bit	24p
	YCbCr 4:4:4 8 / 10 / 12 bit	
	YCbCr 4:2:2 12 bit	
3840 x 2160 4096 x 2160	RGB 4:4:4 8 / 10 / 12 bit	24 / 25 / 30p
	YCbCr 4:4:4 8 / 10 / 12 bit	
	YCbCr 4:2:2 12 bit	
	RGB 4:4:4 8 bit	50 / 60p
	YCbCr 4:4:4 8 bit	
	YCbCr 4:2:2 12 bit	
	YCbCr 4:2:0 8 bit	

Wireless module (LGSBWAX12) Specifications

Wireless LAN (IEEE 802.11a/b/g/n/ac)

Frequency range (MHz)	Output power (Max.) (dBm)
2400 to 2472	17
5150 to 5725	15
5725 to 5850	15
5945 to 7125	11

Bluetooth

Frequency range (MHz)	Output power (Max.) (dBm)
2400 to 2483.5	9

- As band channels can vary per country, the user cannot change or adjust the operating frequency. This product is configured for the regional frequency table.
- For consideration of the user, this device should be installed and operated with a minimum distance of 20 cm (7.8 inches) between the device and the body.

- 1) FCC regulations restrict the operation of this device to indoor use only.
- 2) Operation prohibited on all platforms, cars, trains, boats, and aircraft, except that operation of this device is permitted in large aircraft while flying above 10,000 feet.

FCC ID: BEJLGSBWAX12 / IC: 2703H-LGSBWAX12

This product contains a Type Approved Module by Jamaica : SMA - LGSBWAX12

LICENSES

Supported licenses may differ by model. For more information of the licenses, visit www.lg.com.



The terms HDMI, HDMI High-Definition Multimedia Interface, HDMI trade dress and the HDMI Logos are trademarks or registered trademarks of HDMI Licensing Administrator, Inc.

Manufactured under license from Dolby Laboratories. Dolby, Dolby Vision, Dolby Vision IQ, Dolby Audio, Dolby Atmos, and the double-D symbol are trademarks of Dolby Laboratories Licensing Corporation.





The model and serial number of the product are located on the back and on one side of the product.

Record them below in case you ever need service.

MODEL

SERIAL NO.

Supplier's Declaration of Conformity

Trade Name	LG
Responsible Party	LG Electronics USA, Inc.
Address	111 Sylvan Avenue, North Building, Englewood Cliffs, NJ 07632
E-mail	lg.environmental@lge.com

Temporary noise is normal when powering ON or OFF this device.