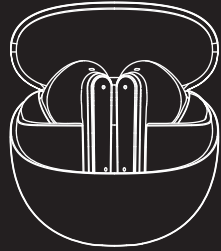


iStore



Comfort Fit Pro Wireless Earbuds

Instruction manual

Audio

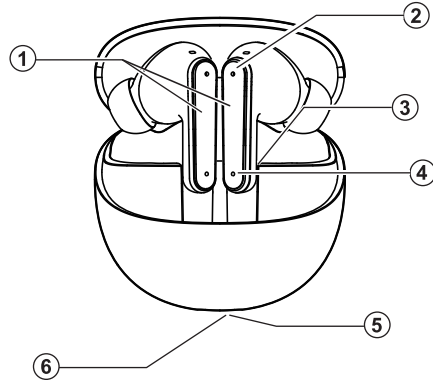


Multi-function touch key

- Audio pause/play: During playback, double-click the multi-touch key.
- Previous song: Press the left earbud's multi-function touch key 4 times.
- Next song: Press the right earbud's multi-function touch key 4 times.
- Volume +: Press the right earbud's multi-function touch key once.
- Volume -: Press the left earbud's multi-function touch key once.

Active Noise Cancellation

- Activate active noise cancellation: Hold either the left or right earbud's multi-function key for 2 seconds.
- Deactivate active noise cancellation: Hold the right earbud's multi-function key for 2 seconds.
- Turn on transparency mode: Once Active Noise Cancellation is turned off, hold the right earbud's multi-function key again for an additional 2 seconds.



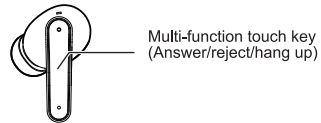
1. Multi-function touch key
2. LED indicator light
3. Earbud microphone
4. Earbud charging contacts
5. LED indicator light
6. Type C USB charging port

Voice Assistant Function

(Requires device support)

- After successfully connecting the wireless earbuds with the device, press the multi-function touch key three times to activate the voice assistant function. Please note this function is not available during a call.

Calls



Multi-function touch key (Answer/reject/hang up)

- Answer: To answer an incoming call, press the multi-function touch key once.
- Reject: To reject an incoming call, press and hold the multi-function key for 2 seconds.
- Hang up: To end a call, double-click the multi-function touch key.

Power

Auto power on: The earbuds will power on automatically when taken out of the charging case.

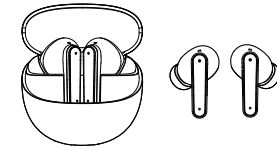
Manual start up: Press and hold the multi-function touch key for 3 seconds to start up manually.

Auto power off: The earbuds will shut down automatically when placed into the charging case, or if not connected to any device within 5 minutes.

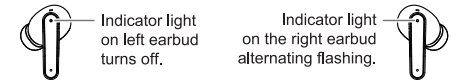
Manual shut down: When the device is not connected, press and hold the multi-function touch key for 5 seconds to shut down manually.

Bluetooth Pairing

1. Open the charging case and remove earbuds to automatically power on.



2. After the earbuds are turned on, place the left and right earphones close to each other. When pairing for the first time, the earbuds will enter search mode. This is shown by indicating light on the left earbuds turning off and the indicating light flashing alternating blue and white on the right earbud.



3. Open the Bluetooth connection interface on your device and search for "Comfort Fit Pro". When found, select 'pair'. When the connection is successful, you will hear a tone.

Restore Earbud Factory Settings

1. Ensure both wireless earbuds are turned on and disconnected from all devices.
2. Press the multi-function key of either the left or right earbuds 5 consecutive times.
3. When factory settings are successfully restored, both earbuds will simultaneously flash blue and white lights rapidly 3 times.
4. The earbud lights will then turn off and, after a brief pause, begin flashing alternating blue and white.

Charging

Charging the Earbuds:

Place the earbuds in the charging case, then close the case. They will automatically start charging and the LED indicator's white lights on both the charging case and the earbuds will turn on. Once fully charged, the LED lights will turn off.

Charging the Charging Case:

Charge the charging case by connecting the charging port to a standard Type C charging cable (included). When charging, the LED indicator flashes a red light. Once fully charged, the LED indicator's red light will remain on.

Specifications

- Bluetooth version: 5.3
- Bluetooth distance: 10m
- Supported agreement: A2DP, AVCTP, AVDTP, AVRCP, HFP
- Frequency: 2.4GHz~2.48GHz
- Power input: DC 5V/300mA
- Earbuds battery capacity: 3.7V/2*40mAh
- Earbud size: 33x24x23mm
- Single earbud weight: 4.5g
- Earbud charging time: Approximately 90 minutes
- Playback time with ANC: Up to 5 hours
- Playback time without ANC: Approximately 6 hours
- Total playback time: Approximately 18 hours
- Charging case battery capacity: 3.7V/300mAh
- Charging case size: 58x55x26mm
- Charging case weight: 41g

iStore.co