

• Picture is for reference only

The Tower 250

User's Manual
Benutzerhandbuch
Mode d'emploi
Manual del usuario
Manuale dell'utente
Manual do Utilizador

安裝說明書
用戶手冊
ユーザーズマニュアル
Руководство пользователя
kullanıcı elkitabı
(EEE Yönetmeliğine Uygundur)
คู่มือการใส่



© 2024 Thermaltake Technology Co., Ltd. All Rights Reserved. 2024.09
All other registered trademarks belong to their respective companies. www.thermaltake.com



TT Premium



TT Premium

To continue achieving the corporate mission of delivering the perfect user experience, Thermaltake developed "TT Premium" with the essence of combining supreme quality products with a new logo design. TT Premium is far more than just a guarantee of quality. Behind the name, it represents the passion in DIY, Modding and Thermaltake's desire to be the most innovative brand in the PC hardware market. To satisfy the demand of the high-end PC users, TT Premium follows its core values of Excellent Quality, Unique Design, Diverse Combinations and Boundless Creativity to provide a high performance PC product for every enthusiast. <http://tppremium.com>

Tt LCS-Liquid Cooling Support Certification



Tt LCS Certified is a Thermaltake exclusive certification applied to only products that pass the design and hardcore enthusiasts standards that a true LCS chassis should be held to. The Tt LCS certification was created so that we at Thermaltake can designate to all power users which chassis have been tested to be best compatible with extreme liquid cooling configurations to ensure you get the best performance from the best features and fitment.

Join Tt Community To Receive Benefits



Dear Valued Customer,
Thank you for choosing Thermaltake.
As a new user we value your thoughts and opinions and your feedback is important to us. We at Thermaltake would like to use this opportunity to invite you to join our Community Forums. Register today to start enjoying the full benefits of our community.



Benefits of being a member:

- Quick and responsive user support
- Receive help and advice with new builds
- Keep up to date with new product releases
- Share your thoughts and builds with the community
- Enter monthly contests and giveaways

Brand official website
<http://www.thermaltake.com/>

Global Facebook
<https://www.facebook.com/ThermaltakeInc>

Taiwan Facebook
<http://www.facebook.com/ThermaltakeTW>

Global community forums
<http://community.thermaltake.com>

CONTENTS



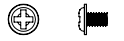


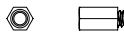
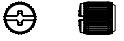



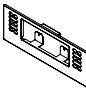
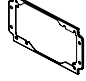
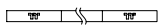
Chapter 1. Product Introduction

1.0	Specification	01
1.1	Accessory	02
1.2	Warning and Notice	03

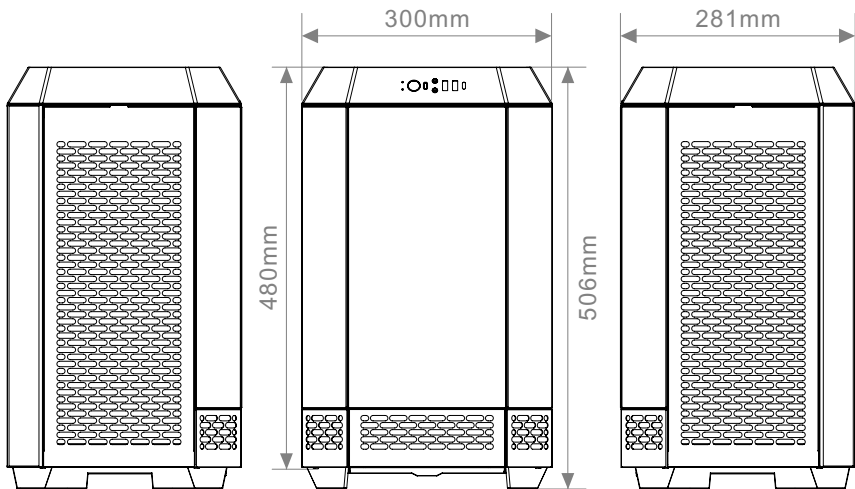
Chapter 2. Installation Guide

2.0	Remove Panels	06
2.1	Power Supply Unit (PSU) Installation	07
2.2	Motherboard Installation	09
2.3	3.5" & 2.5" HDD Installation	10
2.4	VGA Card Installation	12
2.5	Air Cooling Installation	13
2.6	AIO Liquid Cooling Installation	14
2.7	I/O Connection	15
2.8	Remove Filters	16

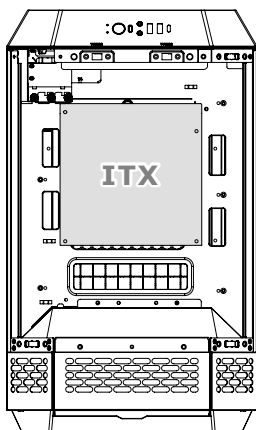
Case Type	Mini Tower		
Dimension (H*W*D)	506 x 300 x 281 mm (19.9 x 11.8 x 11.5 inch)		
Side Panel	Tempered Glass x 3		
Material	SPCC		
Cooling System	Top (exhaust): 120 x 120 x 25 mm CT120 fan (2000 rpm, 25.8 dBA) x 2		
Drive Bays	1 x 3.5" or 2 x 2.5"		
Expansion Slots	3		
Motherboards	6.7" x 6.7" (Mini ITX)		
I/O Port	USB 3.2 (Gen 2) Type-C x 1, USB 3.0 x 2, HD Audio x 1		
PSU	Standard SFX or ATX PSU (optional)		
Fan Support	Top	2 x 120 mm, 1 x 120 mm	
	Right Side	3 x 120 mm, 2 x 120 mm, 1 x 120 mm	2 x 140 mm, 1 x 140 mm
	Rear	2 x 120 mm, 1 x 120 mm	2 x 140 mm, 1 x 140 mm
	Power Cover	1 x 120 mm	1 x 140 mm
Radiator Support	Right Side (AIO)	1 x 360 mm, 1 x 240 mm, 1 x 120 mm	1 x 280 mm, 1 x 140 mm
Clearance	CPU cooler height limitation	210 mm	
	VGA length limitation	245 mm (With power cover) 360 mm (Without power cover)	
	PSU length limitation	200 mm	

Figure	Part Name	Q'ty	Used For
	Screw #6-32 x 6 mm	4	Power Supply
	Screw #6-32 x 6 mm	14	Motherboard / 3.5" HDD
	Screw M3 x 5 mm	8	2.5" SSD / HDD
	Screw #6-32 x 29 mm	4	Case Fan on the Power Cover
	Screw T5 x 10 mm	8	Case Fan
	Stand-off #6-32 x 6.5 mm	3	Motherboard
	Nut setter	1	Motherboard Stand-off
	Zip Ties	10	Cable Management
	Buzzer	1	Motherboard Alarm
	Side Plate Clip	6	Side Panel
	Bottom Front Panel	1	LCD Display
	ATX PSU Bracket	1	ATX PSU
	Velcro-1 meter	1	Cable Management

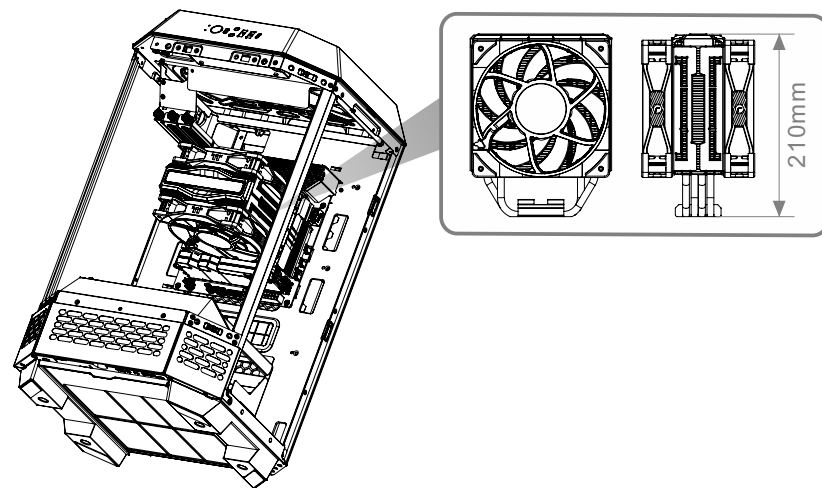
Chassis dimension



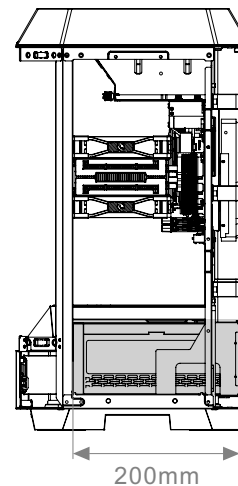
Motherboard Compatibility: ITX



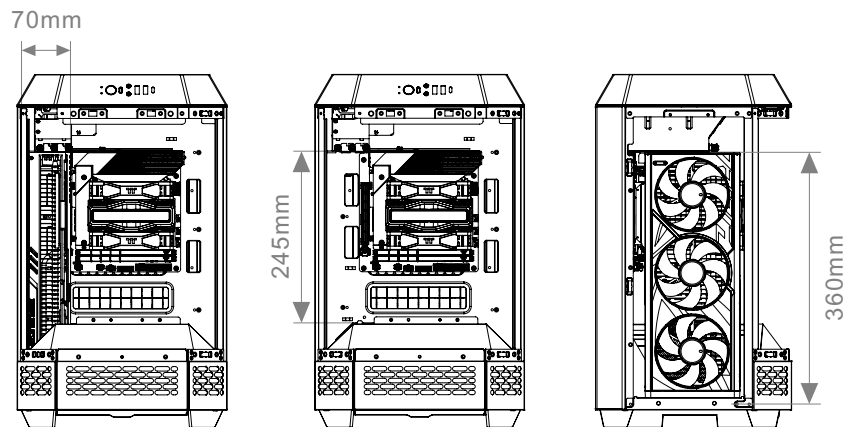
CPU cooler max height: 210mm



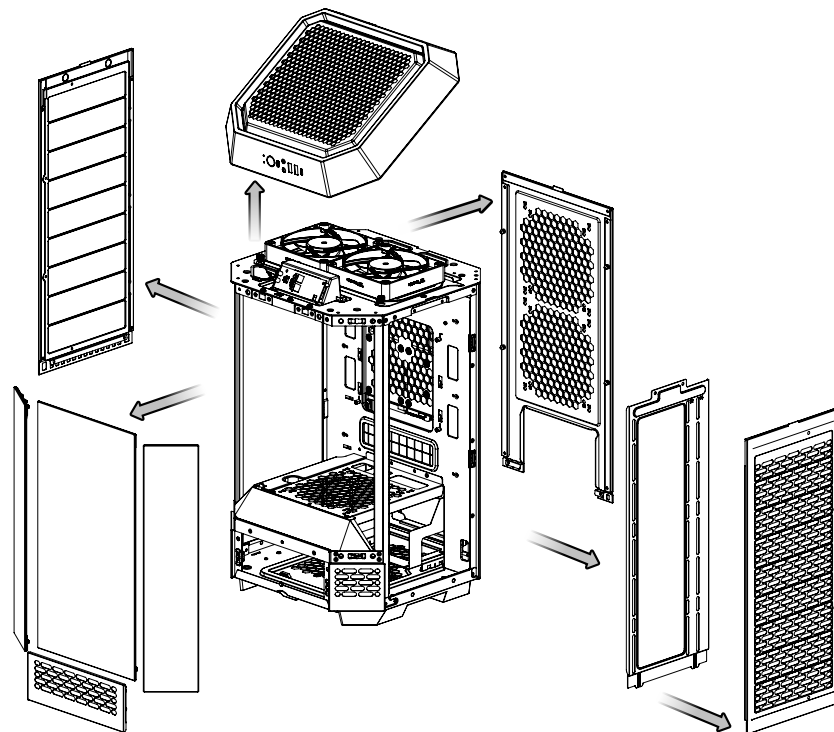
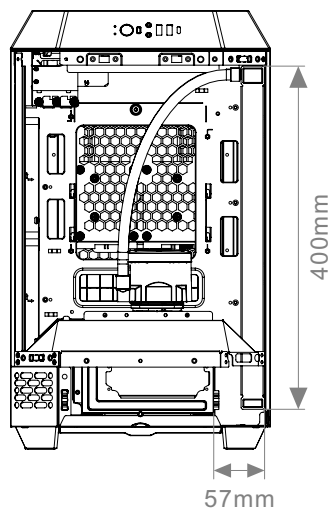
PSU max length: 200mm



VGA max length: 245 mm (With Power Cover)
360 mm (Without Power Cover)

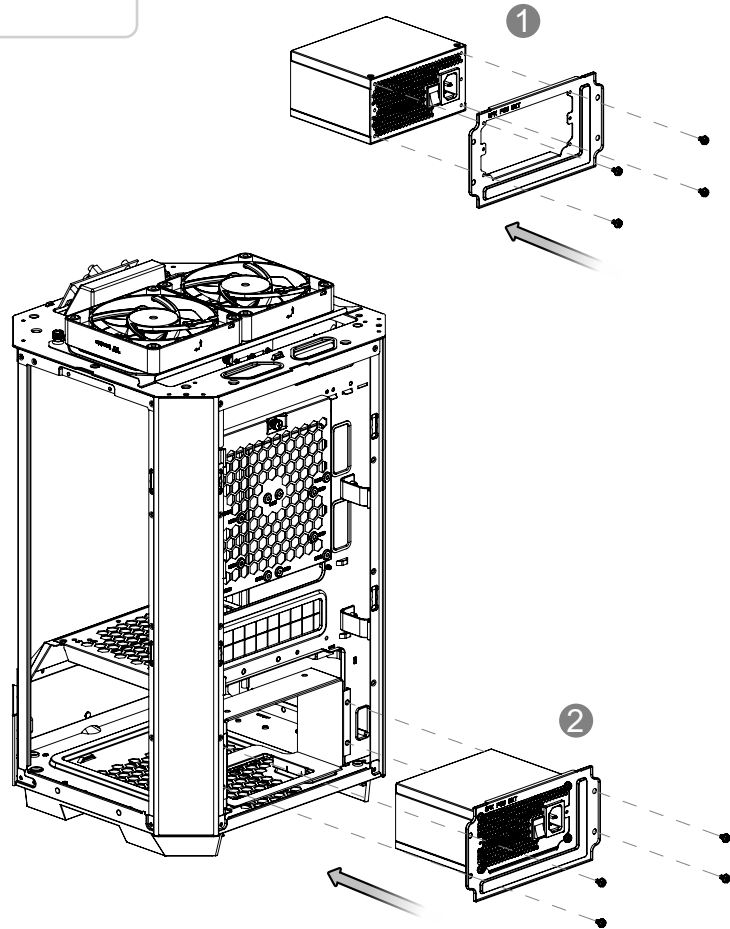


Radiator max length: 400 mm

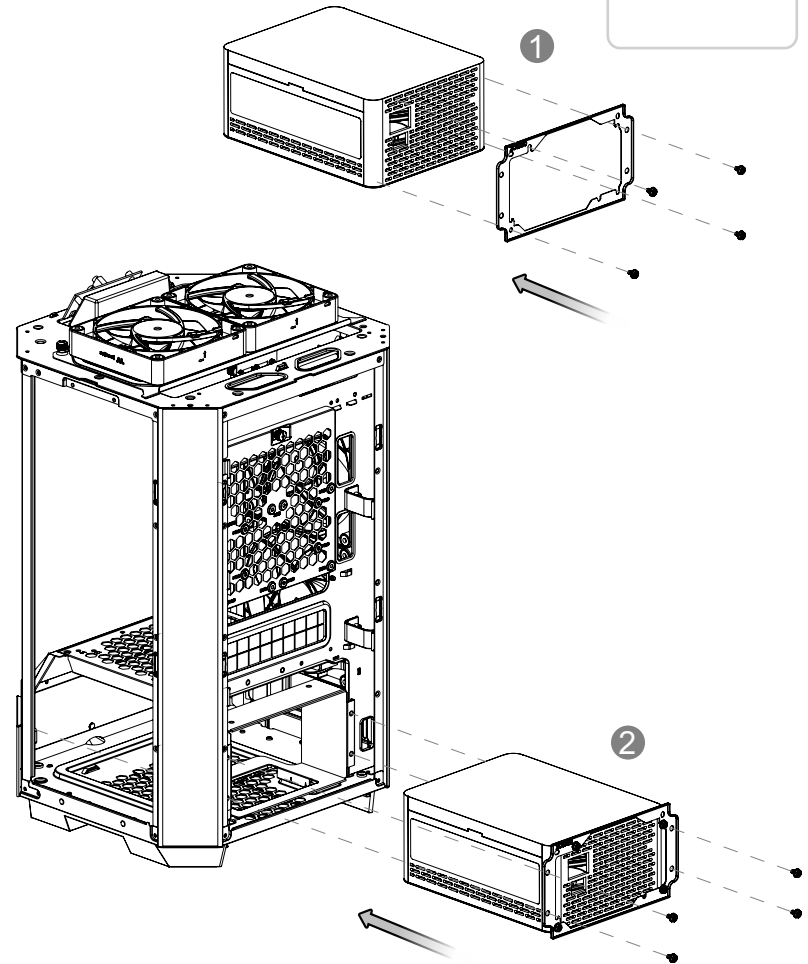


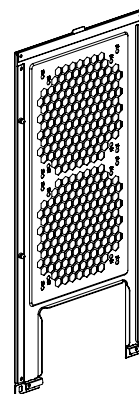
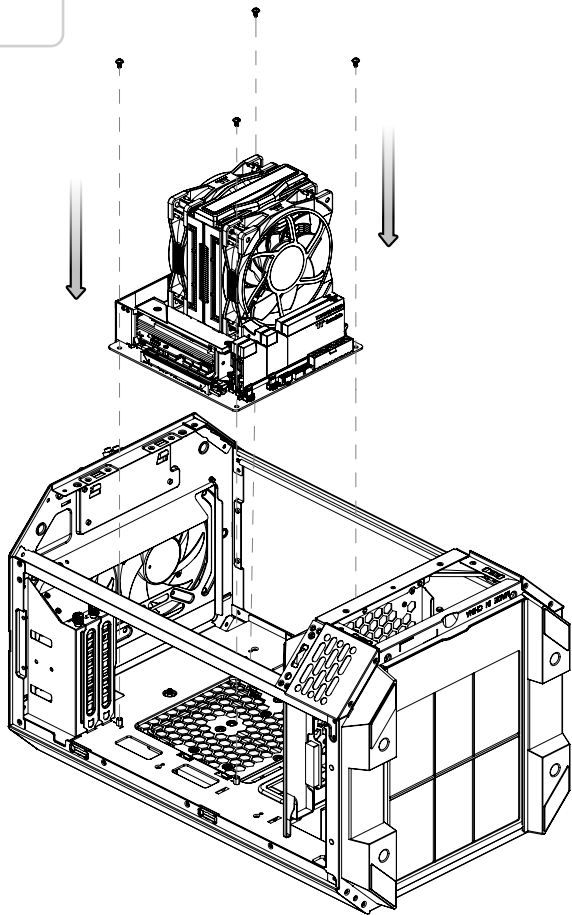


SFX

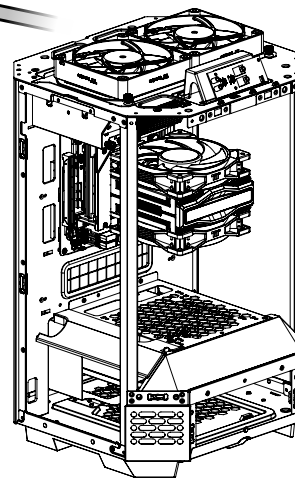


ATX

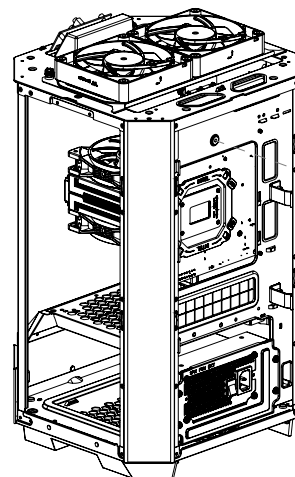




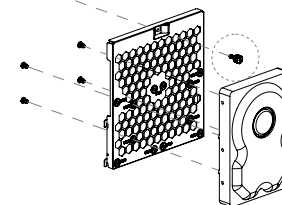
1

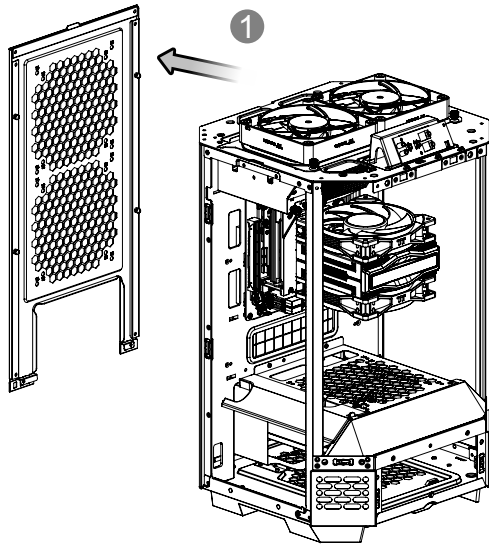
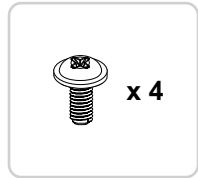


3.5" HDD

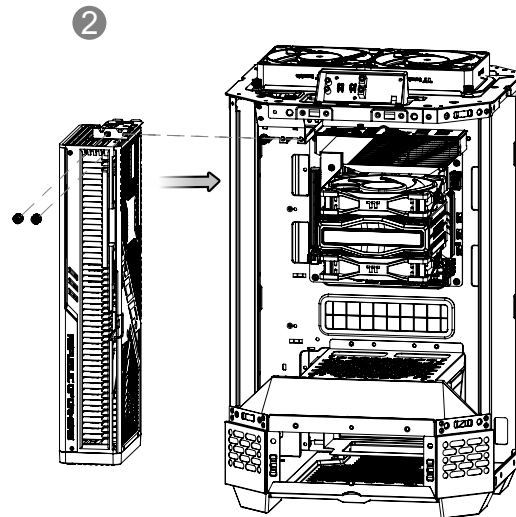
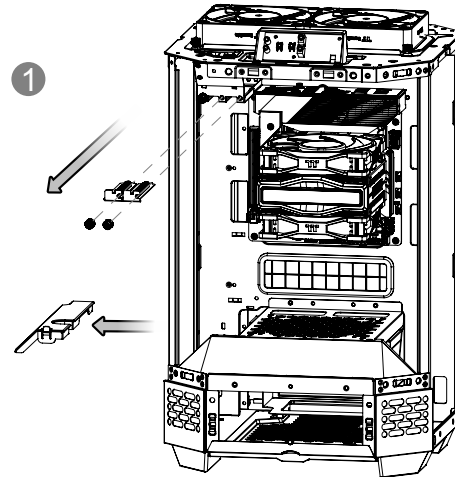
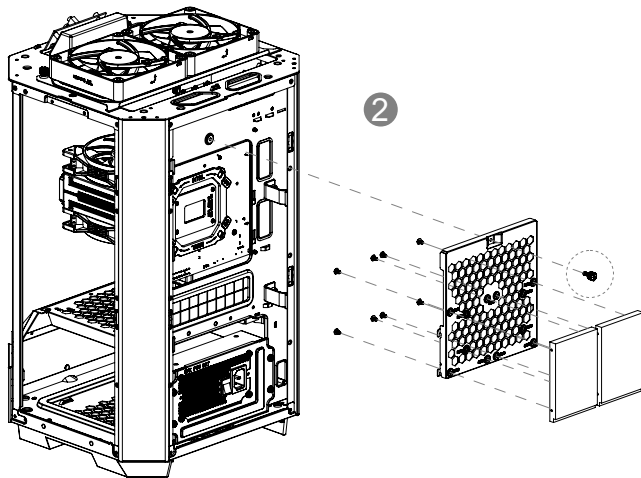


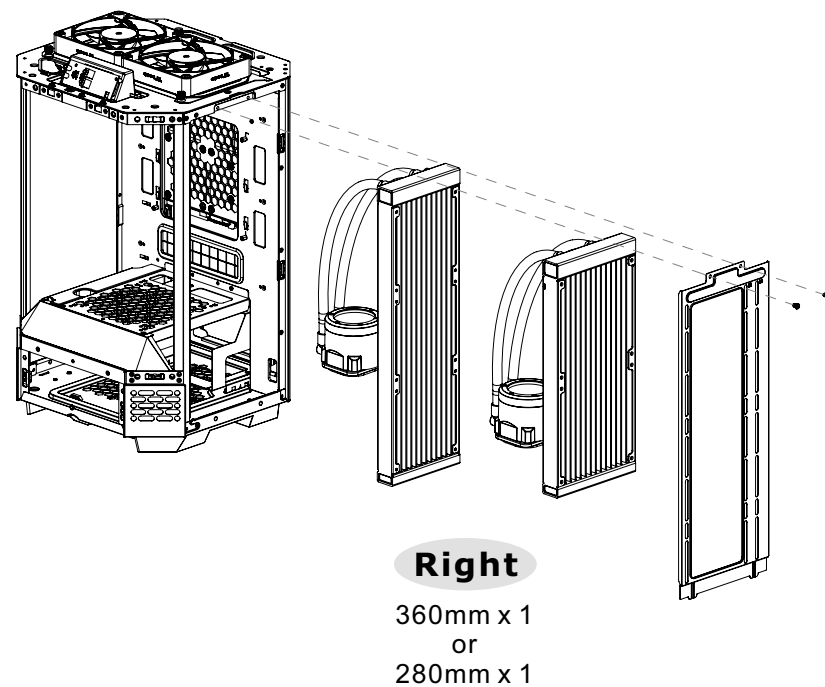
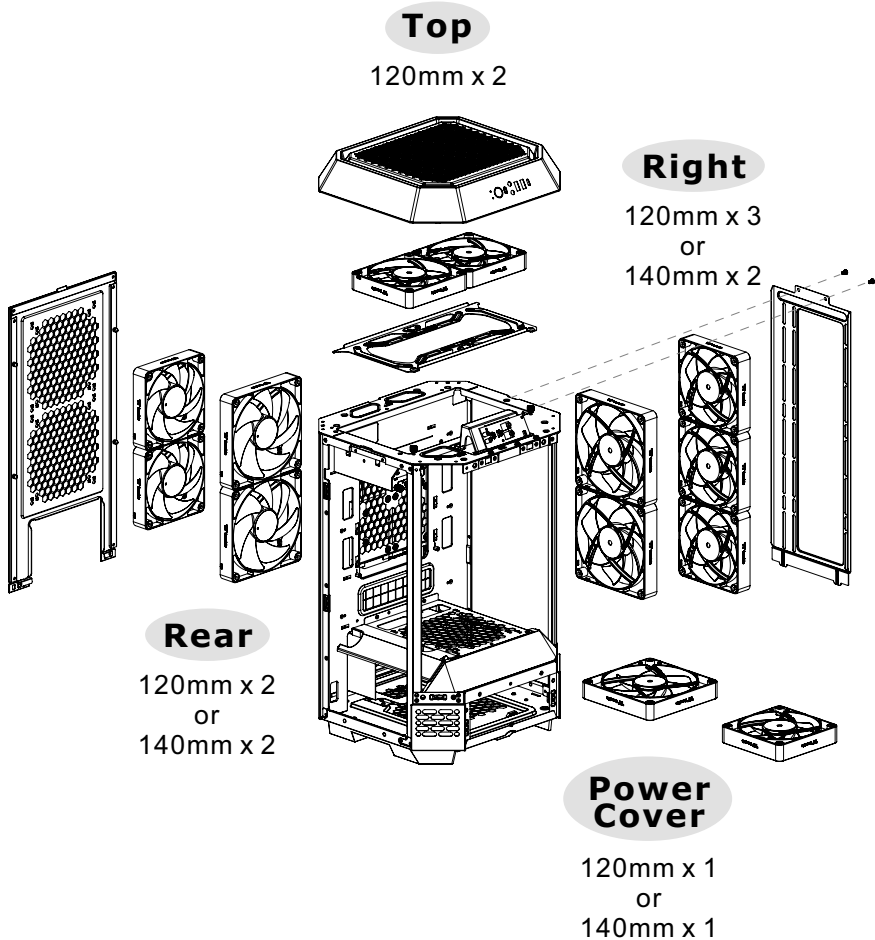
2

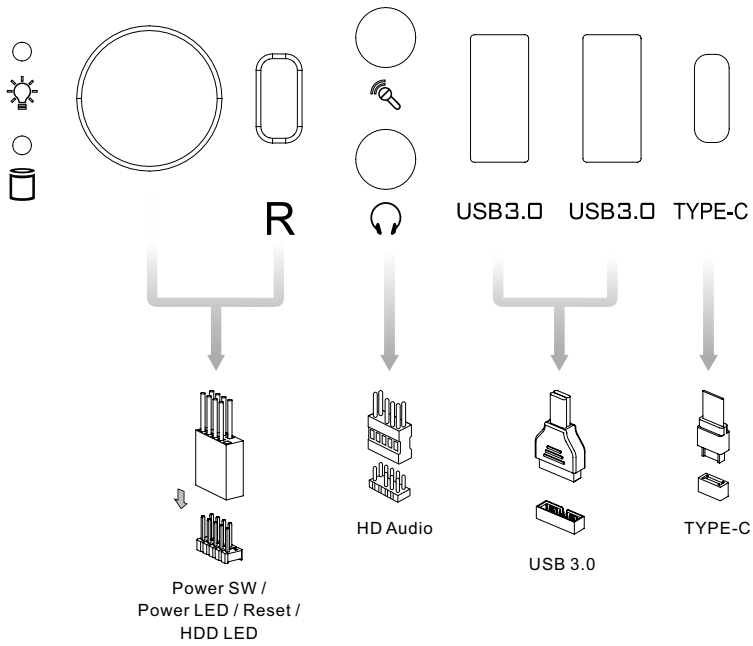




SSD / 2.5" HDD







Motherboard Header Diagram

