



MAG Series

PC Case

MAG PANO 120R PZ

User Guide

Contents

Specifications.....	3
Accessories.....	5
Case Features.....	6
Side and Front View.....	7
I/O and Buttons.....	8
Top Panel and Glass Cover Removal.....	9
Side Panel Removal.....	10
Motherboard Installation.....	11
Graphics Card Installation.....	12
HDD & SSD Installation.....	13
PSU Installation.....	14
Panel I/O Connection.....	15
Control Board Connection.....	16
General Information.....	18

Specifications

Basic Information

Case Type	Mid Tower
Dimensions (DxWxH)	470 x 301 x 496mm
Supported Motherboard Sizes	ATX*, Micro-ATX, Mini-ITX * Supports ATX back-connect motherboards
Expansion Slots	7 slots

Cooling Fan Support

Top	3 x 120mm or 2 x 140mm
Front	No
Rear	1 x 120mm or 1 x 140mm (Pre-installed 1 x 120mm PWM ARGB Fan)
Side	3 x 120mm (Pre-installed 3 x 120mm PWM ARGB Fans)
Bottom	3 x 120mm or 2 x 140mm (Pre-installed 3 x 120mm PWM ARGB Fans)

Drive Bays

2.5" SSD	1
3.5" HDD	2

I/O Ports and Buttons

USB Ports	1 x USB 5Gbps Type-A 1 x USB 20Gbps Type-C
Audio Ports	1 x Audio jack 1 x Microphone jack
Buttons	1 x Power button 1 x Reset button 1 x LED control button













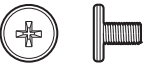
Chassis Clearances

Maximum CPU Cooler Height	180 mm
Maximum GPU Length	338 mm
Top Radiator Support	360 mm
Rear Radiator Support	120 mm
Side Radiator Support	360 mm
Bottom Radiator Support	360 mm
PSU Support	200 mm

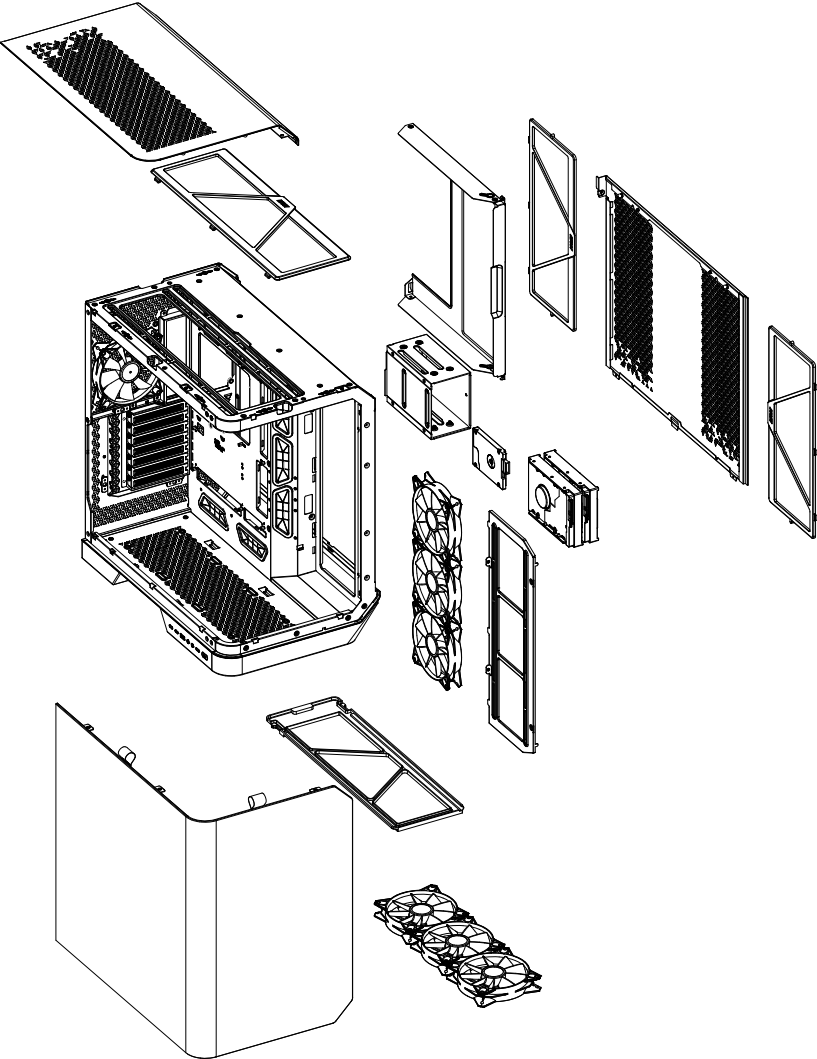
Materials

Metal Specification	SPCC 0.6 + 0.8 + 1.0 mm
Front Bezel	Tempered glass
Left Side Panel	Tempered glass
Top Bezel	Metel
Dust Filter	Top: Plastic filter Right: Plastic filter Bottom: Plastic pull-out filter
GPU holder	Steel

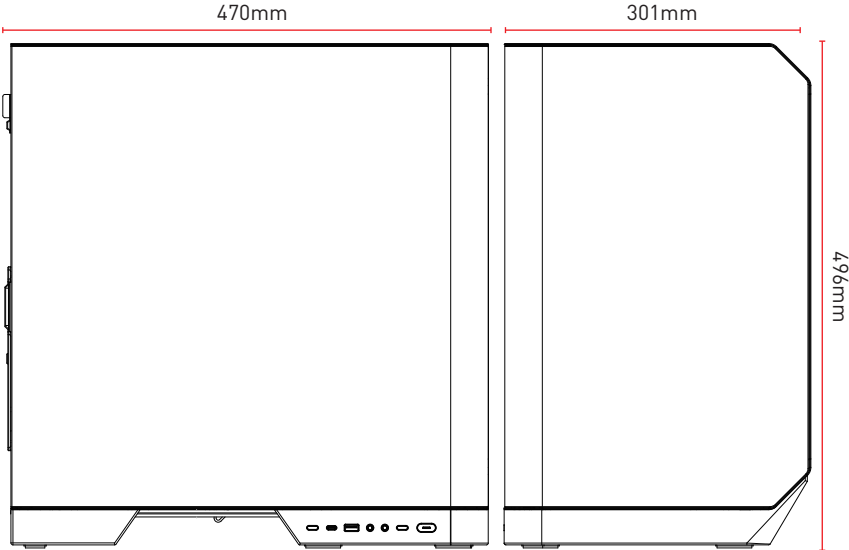
Accessories

Item	Name / Q'ty	Used for
	Accessory box x1	Storing plastic sealed component box
	PE bag x1	Storing components
	Hook-and-loop fastener x1	Cable management
	Cleaning cloth x1	Wiping Case
	Cable ties 500mm x2	Cable management
	Cable ties 150mm x5	Cable management
	Plastic sealed component box x1	Storing components
	Screw M3 5mm x18	Motherboard / SSD
	Screw #6-32 6mm x8	Securing PSU / PCIe Card
	Stand-off #6-32 6.5mm x2	Motherboard Stud
	Stand-off Mounting Tool x 1	Securing motherboard / PCIe riser cable
	Screw #6-32 5mm x8	3.5" HDD
	Screw #6-32 7.5mm x24	Securing liquid cooling radiator

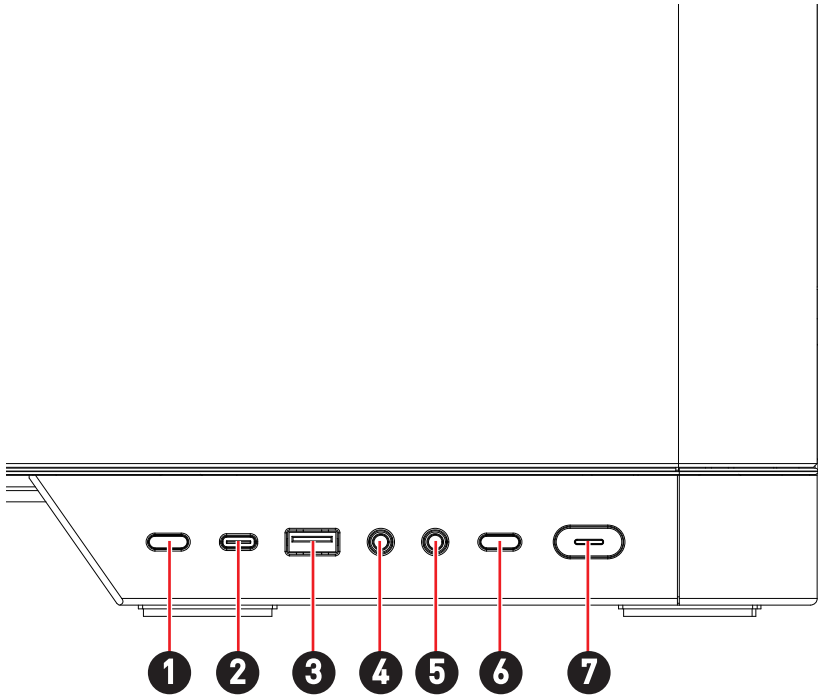
Case Features



Side and Front View

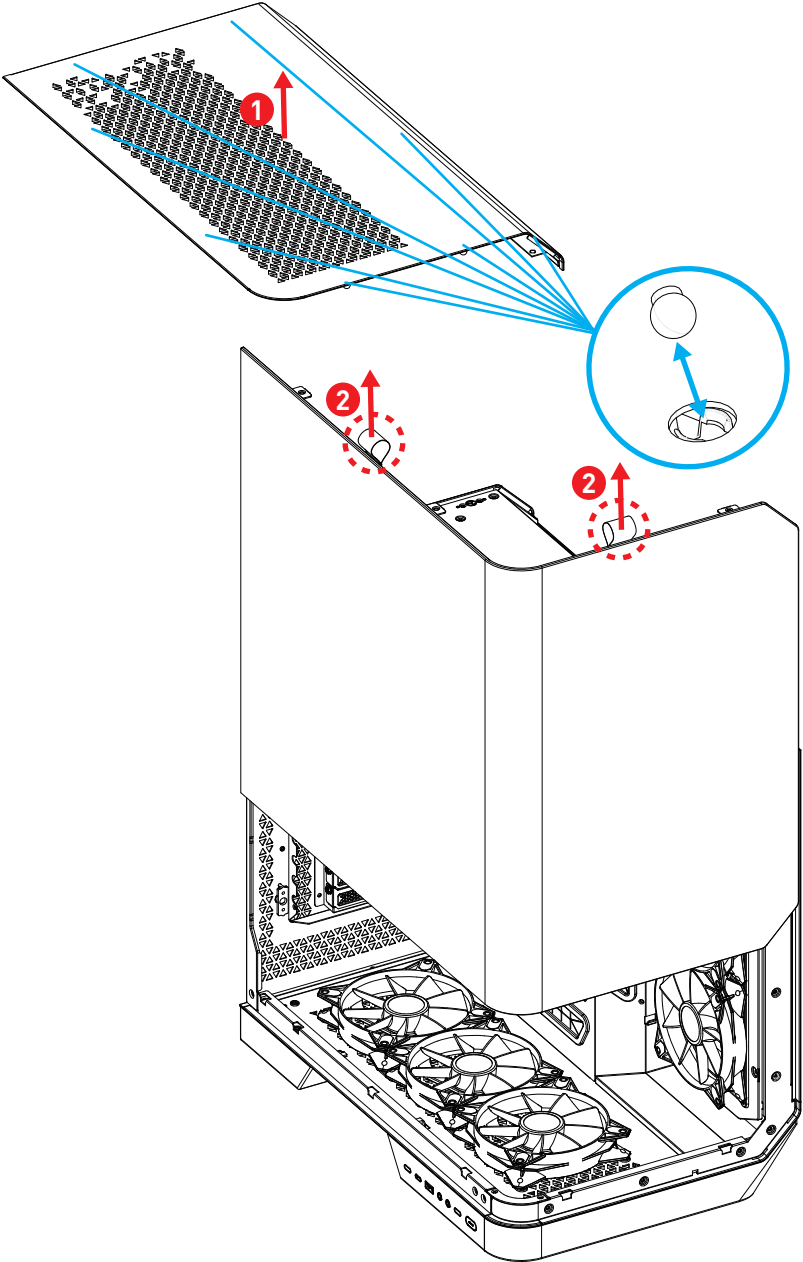


I/O and Buttons

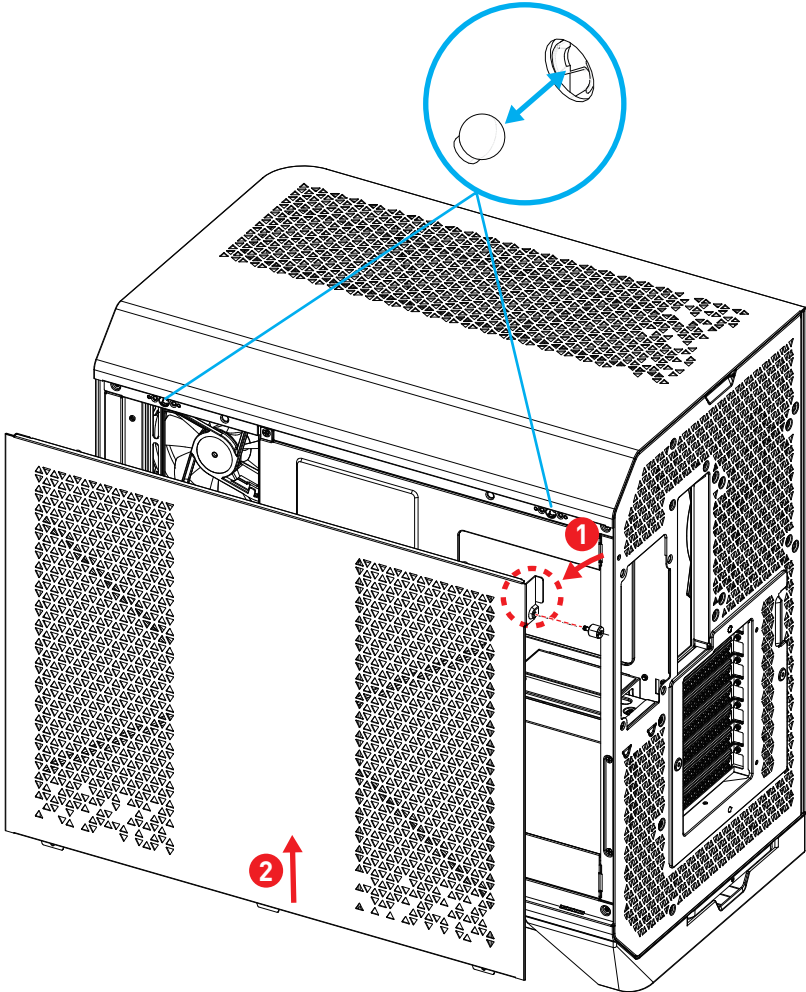


Item	Description
1	LED control button
2	USB 20Gbps Type-C
3	USB 5Gbps Type-A
4	Audio jack
5	Microphone jack
6	Reset button
7	Power button

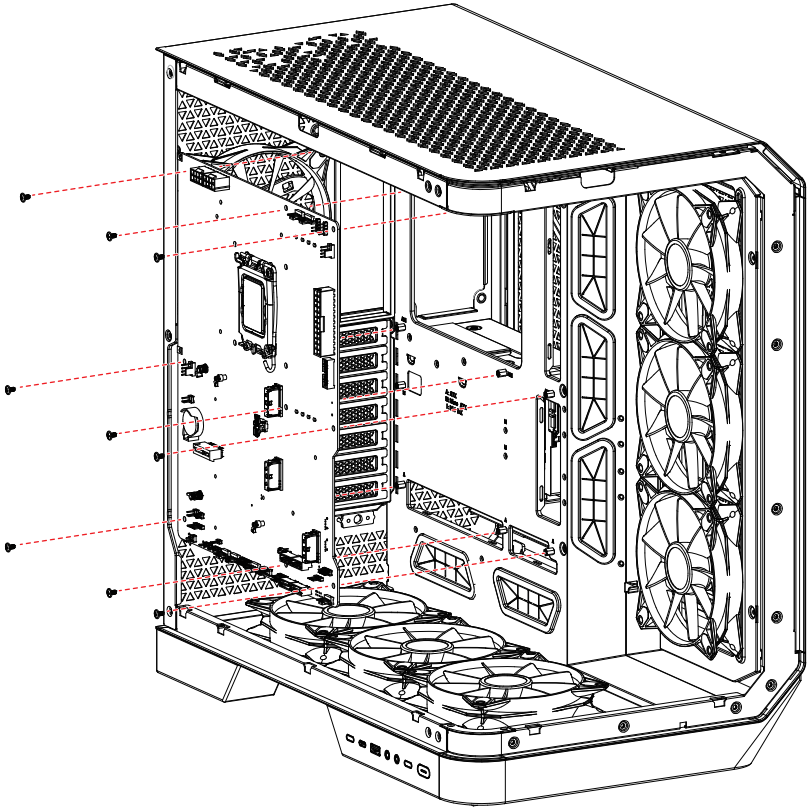
Top Panel and Glass Cover Removal



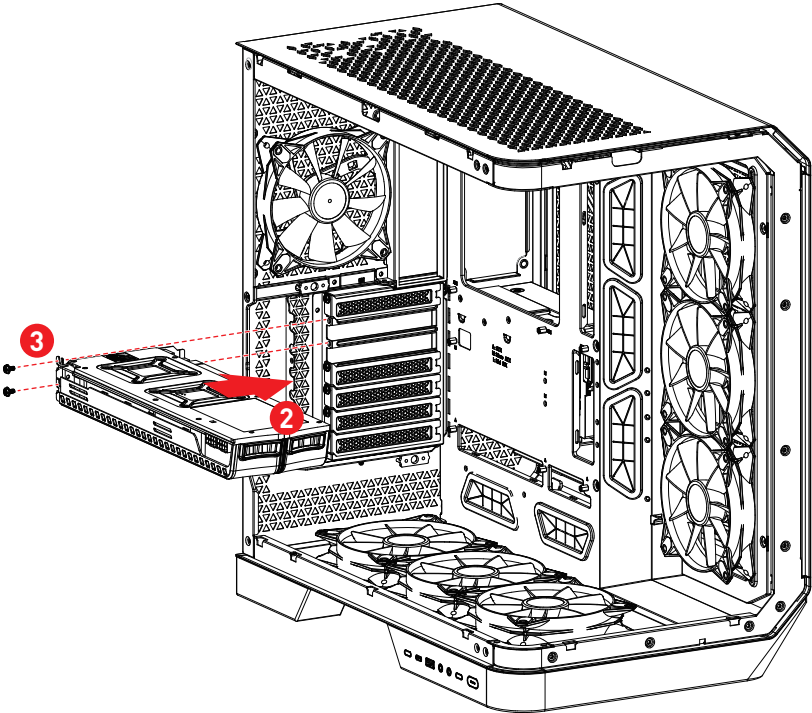
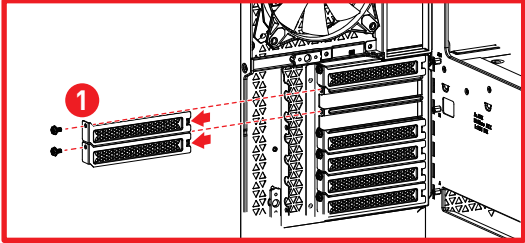
Side Panel Removal



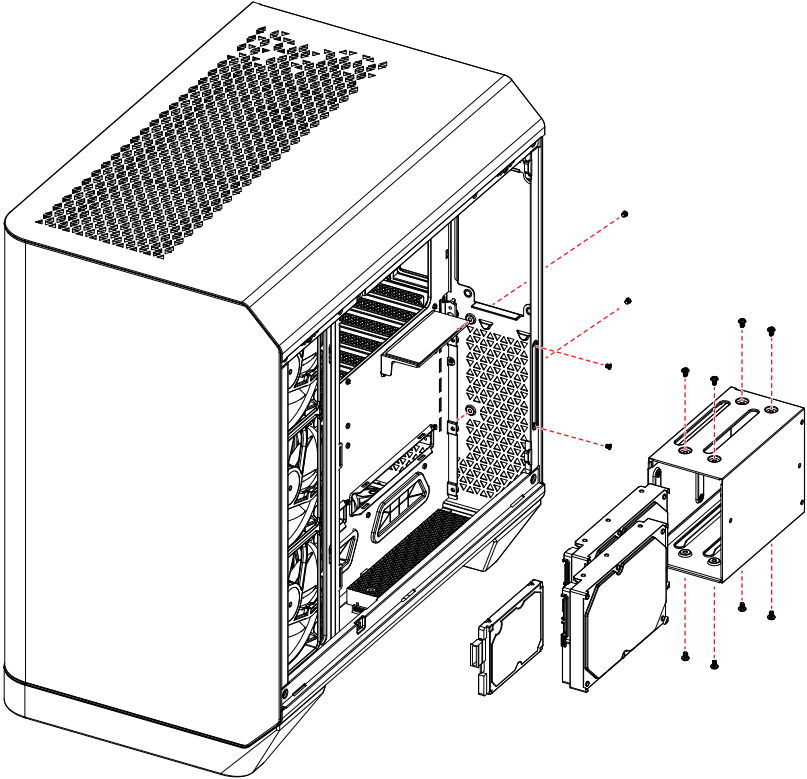
Motherboard Installation



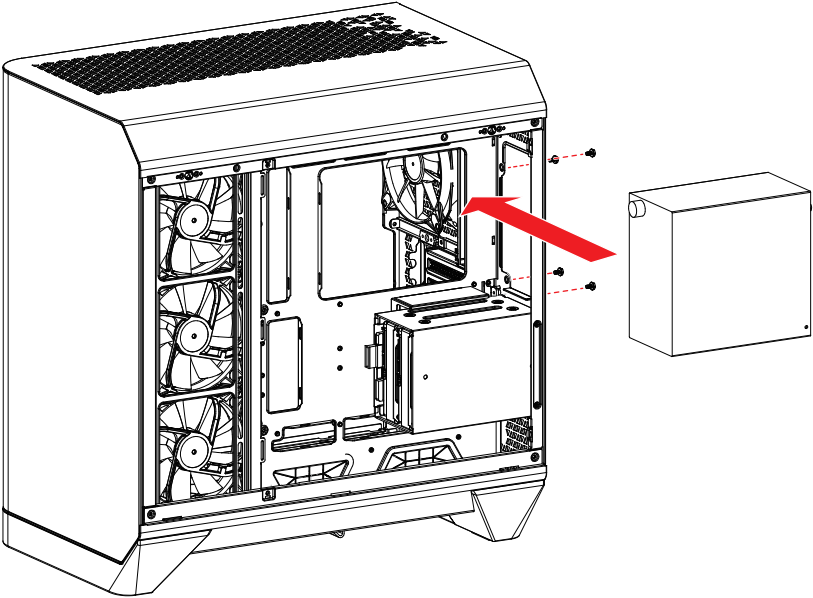
Graphics Card Installation



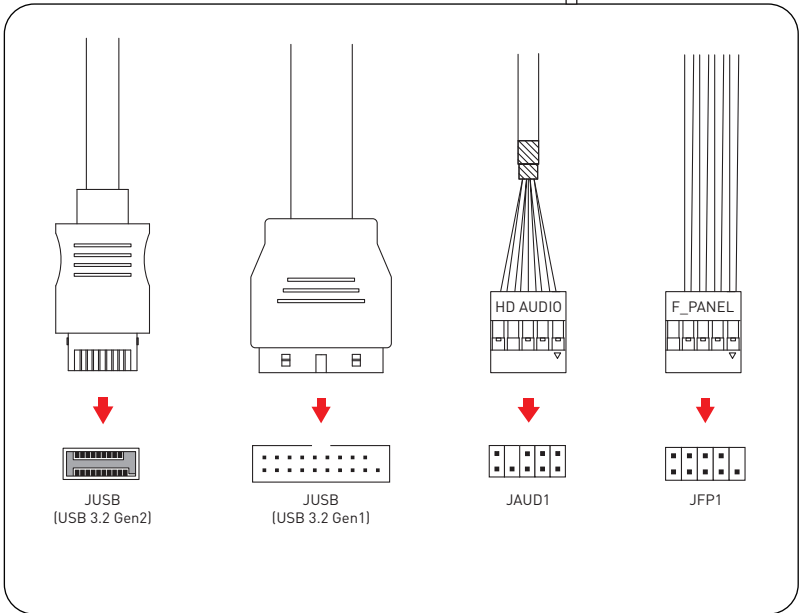
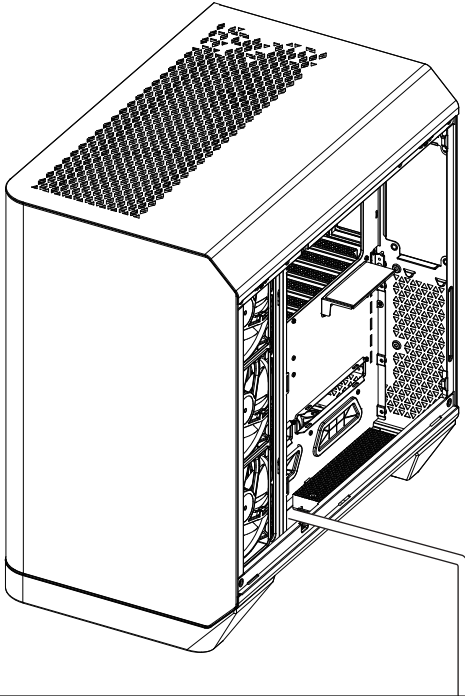
HDD & SSD Installation



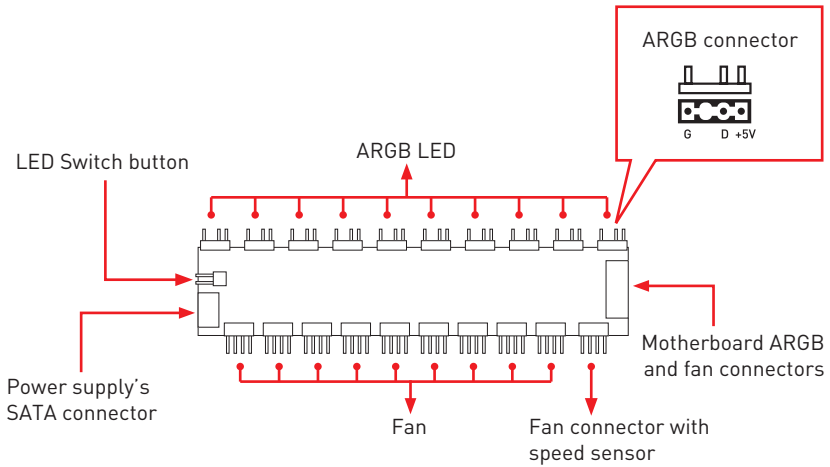
PSU Installation



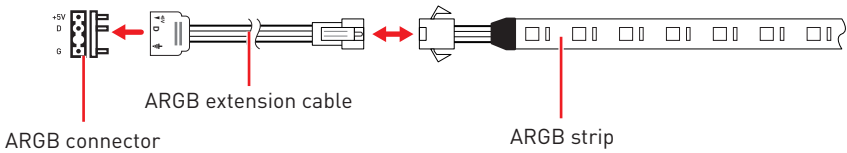
Panel I/O Connection



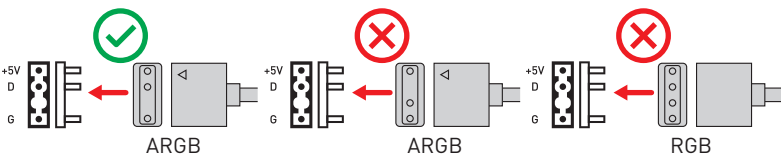
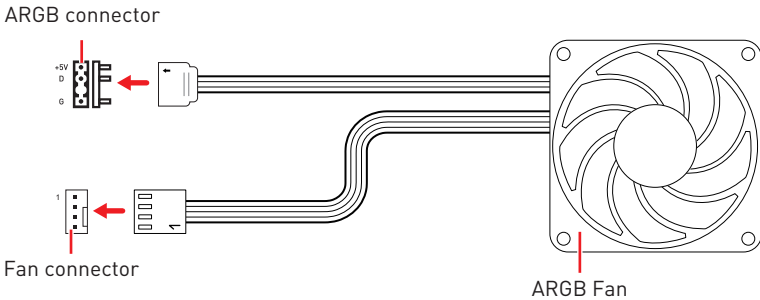
Control Board Connection



Addressable RGB LED Strip Connection



Addressable RGB LED Fan Connection



IMPORTANT

- Please always turn off the power supply and unplug the power cord from the power outlet before installing or removing the ARGB LED Strip.
- Supports a maximum of 200 LEDs, with each strip supporting up to 48 LEDs. Exceeding this limit may result in overheating, abnormal colors, or malfunctions.
- Only compatible with 4-pin PWM fans.
- Please ensure all cables are securely connected before powering on.

LED Switch Button Function

- Single press to toggle between LED effects.
- Long press for three seconds to sync with the motherboard.
- Long press for six seconds to turn off the lights. The lights will flash twice. To turn the lights back on, press the button once.

LED Effect Sequence

After pressing the LED Switch button, the LED effect sequence is as follows:

1	Solid red
2	Solid blue
3	Solid yellow
4	Solid green
5	Solid cyan
6	Solid orange
7	Solid purple
8	Solid white
9	8-color running effect (red, blue, yellow, green, cyan, orange, purple, white)
10	8-color breathing transition effect (red, blue, yellow, green, cyan, orange, purple, white)
11	8-color flowing effect (red, blue, yellow, green, cyan, orange, purple, white)
12	Green fading
13	Blue fading
14	Red fading
15	Dual-color running effect (red-blue, blue-yellow, yellow-green, green-cyan, cyan-orange, orange-purple, purple-white, white-red)
16	Rainbow color cycling (Default)

General Information

Copyright and Trademarks Notice

msi **MSI** **微星** **微星科技**

MICRO-STAR INTERNATIONAL



Copyright © Micro-Star Int'l Co., Ltd. All rights reserved.

The MSI logo used is a registered trademark of Micro-Star Int'l Co., Ltd. All other marks and names mentioned may be trademarks of their respective owners. No warranty as to accuracy or completeness is expressed or implied. MSI reserves the right to make changes to this document without prior notice.

All text, images, illustrations, and other content in this manual are the property of MSI. No part of this manual may be reproduced, distributed, or used in any form without the written permission of MSI.

Revision History

- Version A.0, 2024/08, First release.

