



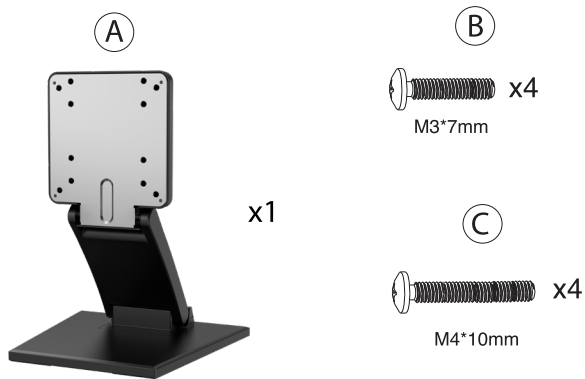
Adjustable Monitor Desk Mount with Weighted Base

ADD-MADM

INSTRUCTION - MANUAL

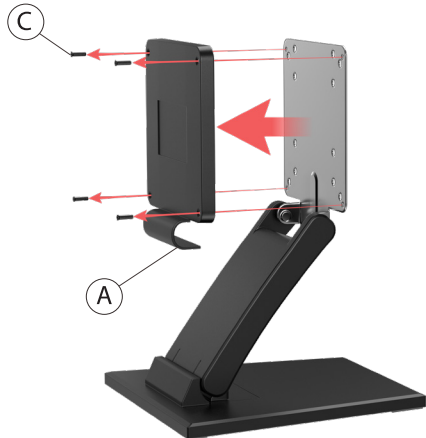
CONTENTS:

***Contents are not to scale*



INSTALLATION:

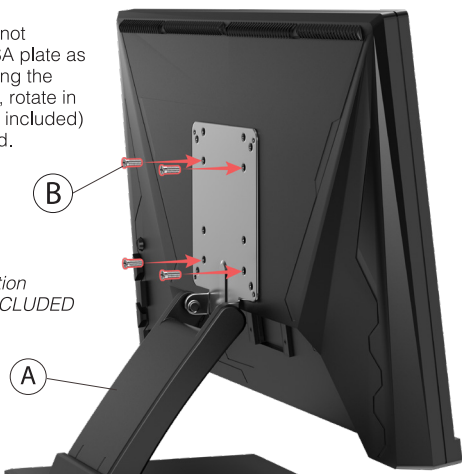
1. Removing VESA back component



1A. Identify the back VESA backing of the desk mount (A). Using a screwdriver (not included), remove the (4) screws (C) at the corners as illustrated. Then, using both hands and with force - detach the VESA back component until you only have the VESA plate left as illustrated above.

2. Attaching Monitor

2A. Align the monitor (not included) with the VESA plate as shown to the right. Using the provided 4 screws (B), rotate in using screwdriver (not included) until securely tightened.



***Monitor is for illustration purposes and NOT INCLUDED*

3. Removing VESA back component

***Monitor is for illustration purposes and NOT INCLUDED*



3A. Snap the back VESA cover / backing back on and rotate in (4) screws using screwdriver (not included) until securely fastened.