

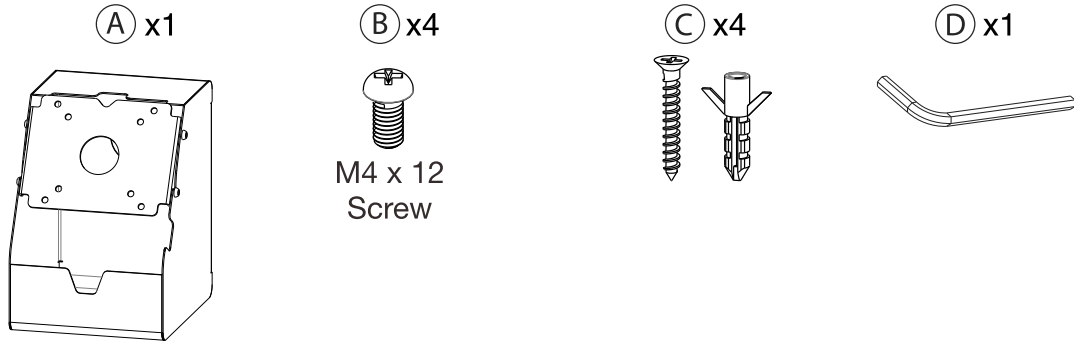


Premium Wall Mount with Storage Area for Elo and Other Displays

CP-VWMKFC

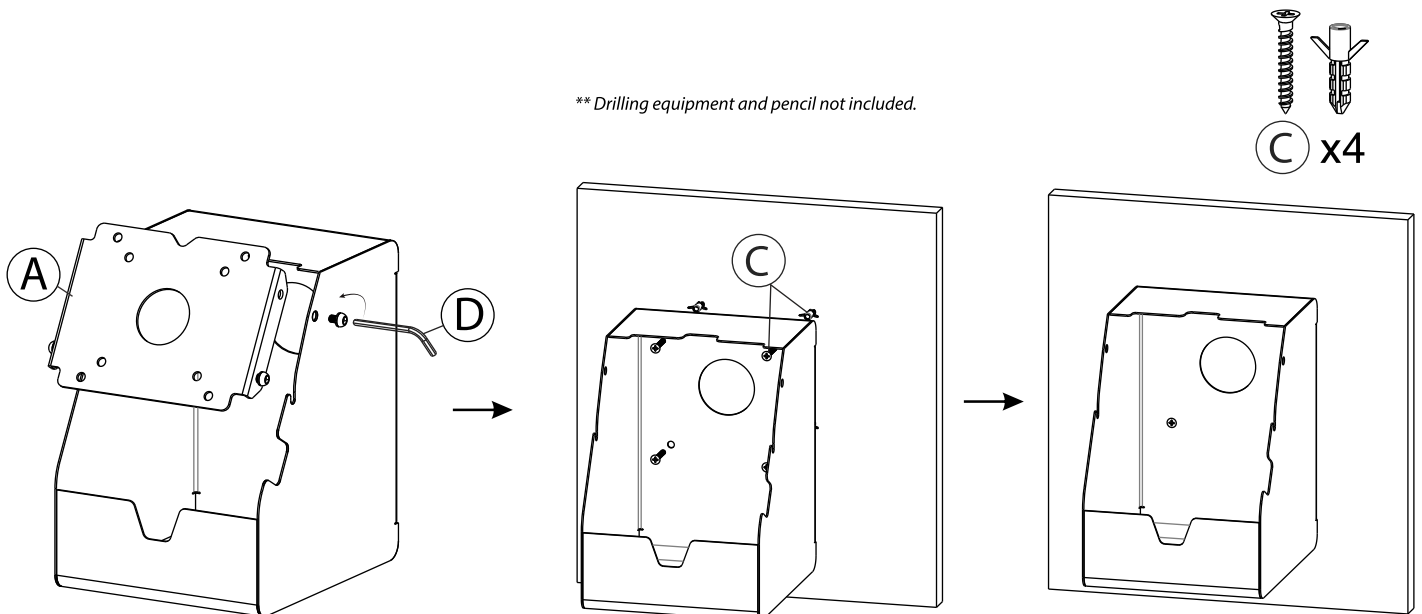
INSTRUCTION - MANUAL

CONTENTS:



INSTALLATION:

1. Direct Mounting to Wall



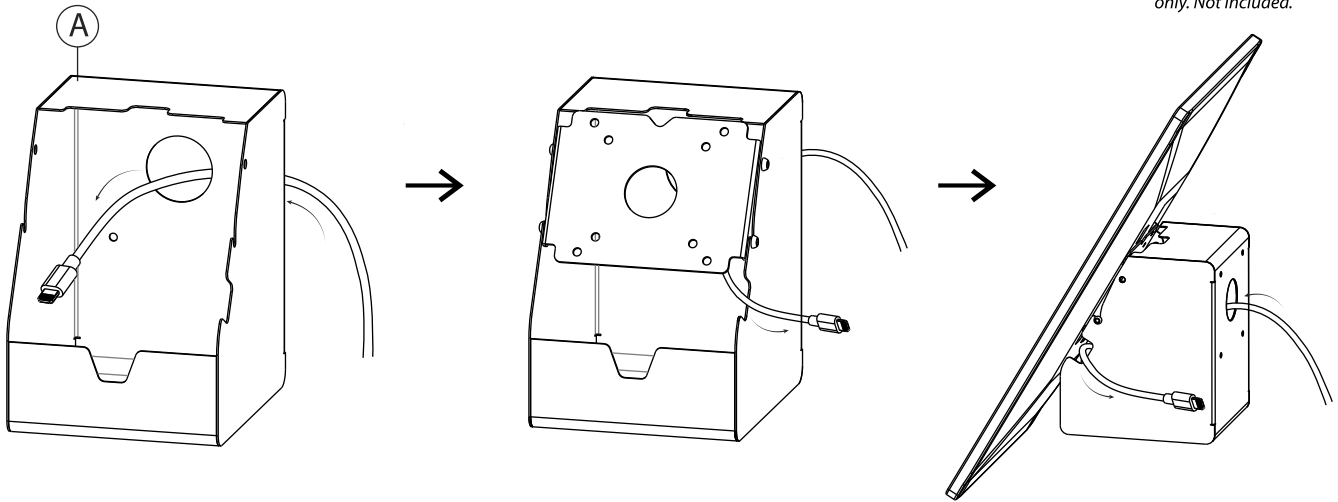
1A. Start by remove the front VESA plate from the wall mount. Identify the two integral screws on each side that hold the plate to the wall mount body. Remove two screws from each side using provided tool (D) until full removed as illustrated above.

1B. Take the wall mount and align it to desired mounting location. Mark off the mounting holes with a pencil (not included) to the surface. Pre-drill the holes (tool not included) and insert the anchor pieces (C).

1C. Align wall mount body (A) VESA holes to the pre-drilled holes with anchors and rotate in the screws (C) using screwdriver (not included) until securely tightened.

2. Cable Management

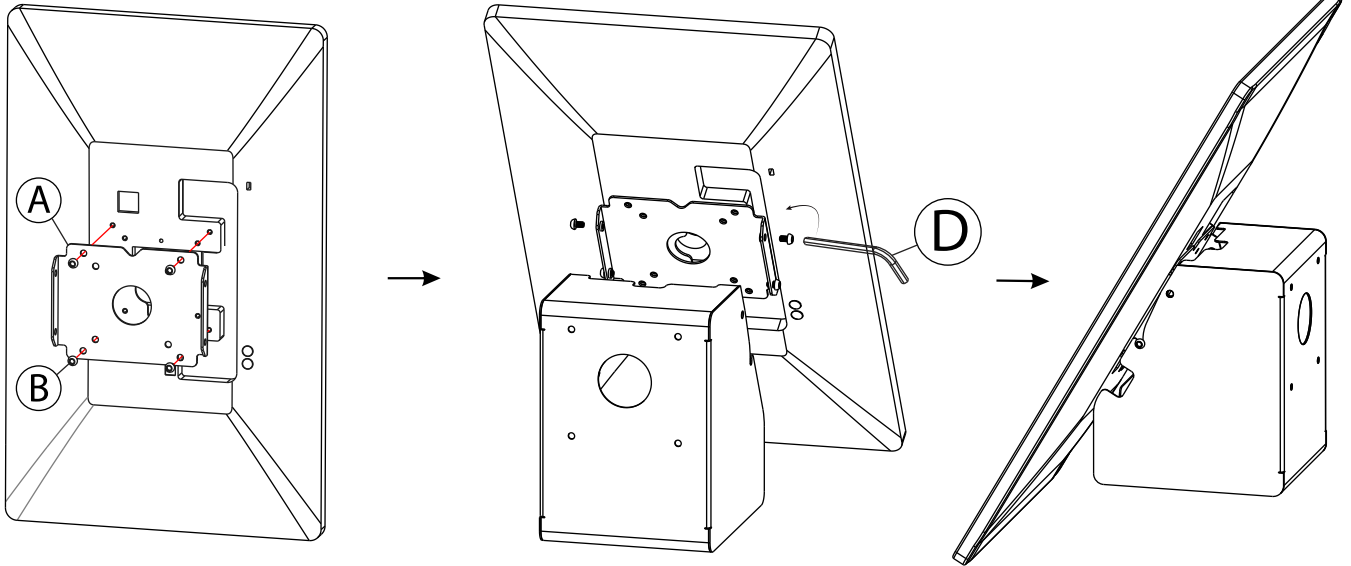
**** Cable and Device
for illustration purpose
only. Not Included.**



2A. Insert cable through the center hole on the back of the wallmount (A) then pass the cable through de side cutout, then connect it to your device. Route other end as required. Shown above. Place any additional device or components as needed within VESA wall mount and cable route as required.

3. Attaching Wall Mount Front VESA Plate to Device

**** Device for illustration
purpose only. Not Included.**



3A. Align VESA plate (A) with VESA holes of back of device and rotate in screws (B) until plate is securely affixed.

3B. Re-align the now attached device and VESA front plate with the rest of the wall mount. Make sure the holes on both sides line up. Rotate in the integral screws on both sides using provided tool (D) until securely fastened.