



**Hewlett Packard**  
Enterprise

## HPE ProLiant DL320 Gen11 Server User Guide

Part Number: 30-676781BE-006  
Published: September 2024  
Edition: 6

# HPE ProLiant DL320 Gen11 Server User Guide

## Abstract

This document is for the person who installs, administers, and troubleshoots servers and storage systems. Hewlett Packard Enterprise assumes you are qualified in the servicing of computer equipment and trained in recognizing hazards in products with hazardous energy levels, and are familiar with the weight and stability precautions for rack installations.

Part Number: 30-676781BE-006

Published: September 2024

Edition: 6

© Copyright 2023–2024 Hewlett Packard Enterprise Development LP

## Notices

The information contained herein is subject to change without notice. The only warranties for Hewlett Packard Enterprise products and services are set forth in the express warranty statements accompanying such products and services. Nothing herein should be construed as constituting an additional warranty. Hewlett Packard Enterprise shall not be liable for technical or editorial errors or omissions contained herein.

Confidential computer software. Valid license from Hewlett Packard Enterprise required for possession, use, or copying. Consistent with FAR 12.211 and 12.212, Commercial Computer Software, Computer Software Documentation, and Technical Data for Commercial Items are licensed to the U.S. Government under vendor's standard commercial license.

Links to third-party websites take you outside the Hewlett Packard Enterprise website. Hewlett Packard Enterprise has no control over and is not responsible for information outside the Hewlett Packard Enterprise website.

## Acknowledgments

Intel®, Xeon®, and Intel® Virtual RAID on CPU (Intel® VROC) are trademarks of Intel Corporation or its subsidiaries.

Microsoft®, Windows®, and Windows Server® are either registered trademarks or trademarks of Microsoft Corporation in the United States and/or other countries.

NVIDIA® and NVIDIA logos are trademarks and/or registered trademarks of NVIDIA Corporation in the U.S. and other countries.

Linux® is the registered trademark of Linus Torvalds in the U.S. and other countries.

VMware® is a registered trademark of VMware, Inc in the United States and other jurisdictions.

All third-party marks are property of their respective owners.

## Table of contents

- Component identification
  - Front panel components
    - iLO Service Port
  - Front panel LEDs and buttons
    - Server UID LED
    - Using the UID button to view the Server Health Summary
    - Front panel LED power fault codes
  - Rear panel components
    - Display device setup
  - Rear panel LEDs
  - System board components
    - System maintenance switch descriptions
    - DIMM label identification
    - DIMM slot numbering
    - Heatsink and processor socket components
  - Riser board components
  - PCIe5 slot description
  - PCIe switch board components
  - Accelerator slot numbering
  - HPE Basic Drive LED definitions
  - EDSFF SSD LED definitions
  - Drive box identification
  - Drive bay numbering
    - SFF drive bay numbering
    - LFF drive bay numbering
    - E3.S drive bay numbering
  - Drive backplane naming
  - Fan numbering
  - Fan and heatsink requirements
  - Trusted Platform Module 2.0
    - Trusted Platform Module 2.0 guidelines
    - BitLocker recovery key/password retention guidelines
  - HPE NS204i-u Boot Device components
  - HPE NS204i-u Boot Device LED definitions
- Setup
  - Initial system installation
    - HPE Installation Service
    - Intel VROC support
    - Setting up the server

- Operational requirements
  - Space and airflow requirements
  - Temperature requirements
  - Power requirements
  - Electrical grounding requirements
- Rack warnings and cautions
- Server warnings and cautions
- Electrostatic discharge
- Operations
  - Power up the server
  - Power down the server
  - Open the cable management arm
  - Extend the server out of the rack
  - Remove the server from the rack
  - Remove the front bezel
  - Remove the access panel
  - Remove the M.2 air baffle
  - Remove the middle cover
  - Remove the fan
  - Remove the fan wall
  - Remove the riser cage
  - Install the access panel
  - Install the M.2 air baffle
  - Install the middle cover
  - Install the fan wall
  - Install the riser cage
  - Install the server into the rack
- Hardware options installation
  - Server data backup
  - Hardware option installation guidelines
  - Hewlett Packard Enterprise product QuickSpecs
  - Rack mounting options
    - Rack mounting interfaces
    - Rail identification markers
    - Rack rail options
      - Installing the rack rail option
    - Installing the rack rail hook-and-loop strap
    - Installing the cable management arm
  - Installing the front bezel
  - Drive options
    - Drive installation guidelines



- Installing a hot-plug SAS, SATA or NVMe drive
- Installing a hot-plug LFF SAS, SATA or NVMe drive in box three or box five
- Installing an E3.S drive
- Installing the 8 SFF drive backplane
- Drive cage options
  - Installing the 2 SFF drive cage
  - Installing the 4 SFF drive cage
  - Installing the E3.S drive cage
- Optical drive option
  - Installing an optical drive in the SFF drive chassis
  - Installing an optical drive in the LFF drive chassis
- Display port option
  - Installing an 8 SFF display port/USB/optical blank option
  - Installing the 4 LFF display port/USB option
- PCIe riser option
  - Installing a riser board in the secondary riser cage
- Power supply options
  - Power supply warnings and cautions
  - DC power supply warnings and cautions
  - DC power supply wire colors
  - Connecting a DC power cable to a DC power source
  - Installing a DC power supply
  - Installing an AC power supply
- Transceiver option
  - Transceiver warnings and cautions
  - Installing a transceiver
- Fan options
  - Fan mode behavior
  - Installing a fan
- Expansion card options
  - Installing an expansion card
- Accelerator options
  - Installing an accelerator in the GPU riser cage
  - Installing an accelerator in the rear riser cage
- Energy pack options
  - HPE Smart Storage Battery
  - HPE Smart Storage Hybrid Capacitor
  - Minimum firmware versions
  - Installing an energy pack
- Memory options
  - DIMM population information

- HPE SmartMemory speed information
- Installing a DIMM
- Storage controller options
  - Preparing the server for storage controller installation
  - Installing a type-p controller
  - Installing a type-o storage controller
- OCP NIC 3.0 adapter option
  - Installing the OCP NIC 3.0 adapter
- HPE NS204i-u Boot Device option
  - Installing the HPE NS204i-u Boot Device
- M.2 SSD options
  - Installing an M.2 SSD
- Processor heatsink assembly option
  - Processor cautions
  - Installing a processor heatsink assembly
  - Reconfiguring the system date and time settings
- Serial port option
  - Installing the serial port
- Chassis intrusion detection switch option
  - Installing the chassis intrusion detection switch
- Internal USB device option
  - Installing an internal USB device
- Configuration resources
  - Updating firmware or system ROM
  - Configuring the server
  - Configuring storage controllers
  - Managing the HPE NS204i-u Boot Device
  - Deploying an OS
  - Configuring security
  - Server management
  - Managing Linux-based high performance compute clusters
- Cabling
  - Cabling guidelines
  - Internal cabling management
  - Cabling diagrams
  - Storage cabling
    - Drive power cabling
    - Storage controller cabling
      - 2 SFF drive controller cabling
      - 4 SFF drive controller cabling
      - 4 E3.S drive controller cabling

- 8 E3.S drive controller cabling
      - 8 SFF drive controller cabling
      - 4 LFF drive controller cabling
      - 10 LFF drive controller cabling
      - 12 LFF drive controller cabling
    - Energy pack cabling
    - Storage controller backup cabling
  - Accelerator cabling
    - GPU auxiliary power cabling
    - GPU riser cabling
  - HPE NS204i Boot Device cabling
  - Switch board cabling
  - Optical drive cabling
  - Display port cabling
  - Serial port cabling
  - Front I/O cabling
  - VGA cabling
  - Chassis intrusion detection switch cabling
- Troubleshooting
    - NMI functionality
    - Troubleshooting resources
  - Safety, warranty, and regulatory information
    - Regulatory information
      - Notices for Eurasian Economic Union
      - Turkey RoHS material content declaration
      - Ukraine RoHS material content declaration
    - Warranty information
  - Specifications
    - Environmental specifications
    - Mechanical specifications
    - Power supply specifications
      - HPE 500 W Flex Slot Platinum Hot-plug Low Halogen Power Supply
      - HPE 800 W Flex Slot Platinum Hot-plug Low Halogen Power Supply
      - HPE 1000 W Flex Slot Titanium Hot-plug Power Supply
      - HPE 1600 W Flex Slot -48 VDC Hot-plug Power Supply
  - Websites
  - Support and other resources
    - Accessing Hewlett Packard Enterprise Support
    - HPE product registration
    - Accessing updates
    - Customer self repair

- Remote support
- Documentation feedback

# Component identification

This chapter describes the external and internal server features and components.

## Subtopics

[Front panel components](#)

[Front panel LEDs and buttons](#)

[Rear panel components](#)

[Rear panel LEDs](#)

[System board components](#)

[Riser board components](#)

[PCIe5 slot description](#)

[PCIe switch board components](#)

[Accelerator slot numbering](#)

[HPE Basic Drive LED definitions](#)

[EDSFF SSD LED definitions](#)

[Drive box identification](#)

[Drive bay numbering](#)

[Drive backplane naming](#)

[Fan numbering](#)

[Fan and heatsink requirements](#)

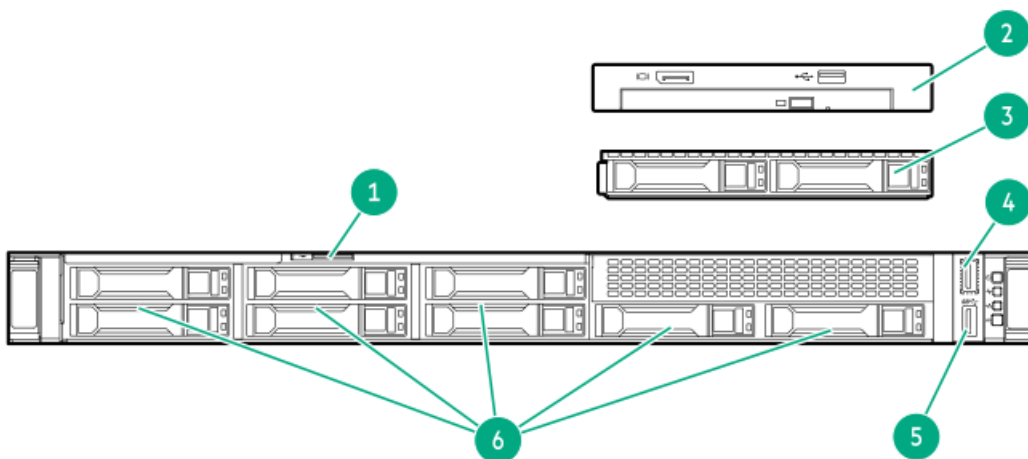
[Trusted Platform Module 2.0](#)

[HPE NS204i-u Boot Device components](#)

[HPE NS204i-u Boot Device LED definitions](#)

## Front panel components

### SFF drive configuration



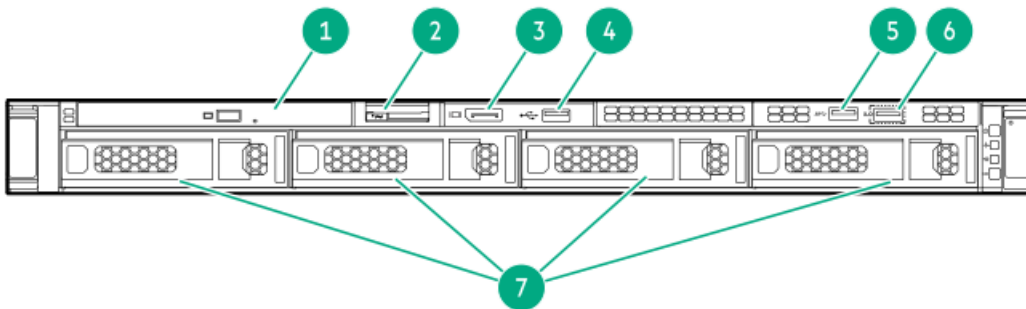
| Item | Description   |
|------|---|
| 1    | Serial number/iLO information pull tab <sup>1</sup> |
| 2    | ODD/display port + USB (optional) <sup>2</sup>      |
| 3    | 2 SFF side-by-side drive cage assembly (optional)   |
| 4    | <u>iLO Service Port</u>                             |
| 5    | USB 3.2 Gen1 port                                   |
| 6    | 8 SFF drives  |

<sup>1</sup> The serial number/ iLO information pull tab is double-sided. One side shows the server serial number and the customer asset tag label. The other side shows the default iLO account information.

<sup>2</sup> This drive cage assembly includes in the front USB and DisplayPort option.

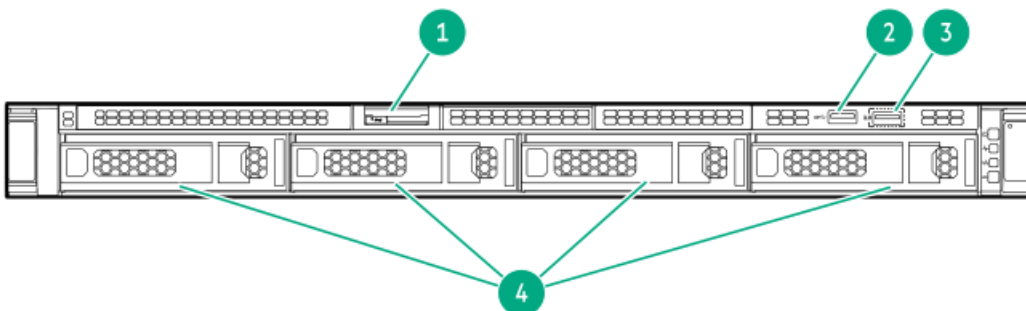
The server supports two 2 SFF drive cage options. The following drive types are supported: SATA, SAS, U.2 NVMe, and U.3 NVMe drives.

#### 4 LFF drive configuration



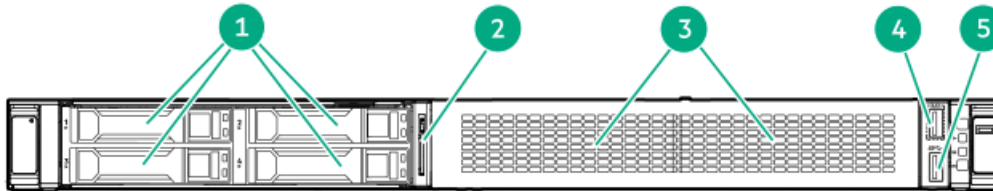
| Item | Description                            |
|------|--|
| 1    | ODD (optional)                         |
| 2    | Serial number/iLO information pull tab |
| 3    | Display port 1.1a (optional)           |
| 4    | USB 2.0 port (optional)                |
| 5    | USB 3.2 Gen1 port                      |
| 6    | <u>iLO Service Port</u>                |
| 7    | 4 LFF drives                           |

#### 12 LFF drive configuration



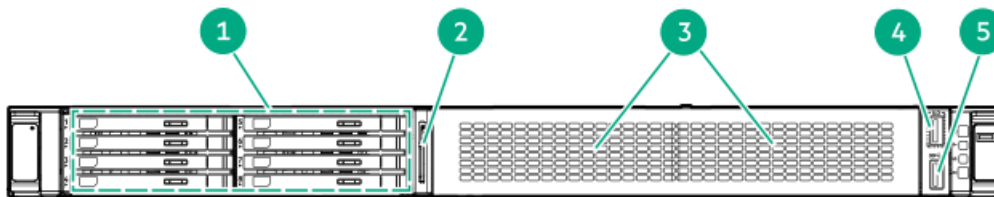
| Item | Description                            |
|------|--|
| 1    | Serial number/iLO information pull tab |
| 2    | USB 3.2 Gen1 port                      |
| 3    | <u>iLO Service Port</u>                |
| 4    | 4 LFF drives                           |

#### 4 SFF drives with a GPU riser cage



| Item | Description                             |
|------|---|
| 1    | 4 SFF drives                            |
| 2    | Serial number/ iLO information pull tab |
| 3    | GPU riser cage                          |
| 4    | <u>iLO Service Port</u>                 |
| 5    | USB 3.2 Gen1 port                       |

#### 8 E3.S drives with a GPU riser cage



| Item | Description                            |
|------|--|
| 1    | 8 E3.S drives                          |
| 2    | Serial number/iLO information pull tab |
| 3    | GPU riser cage                         |
| 4    | <u>iLO Service Port</u>                |
| 5    | USB 3.2 Gen1 port                      |

#### Subtopics

##### iLO Service Port

## iLO Service Port

The Service Port is a USB port with the label **iLO** on supported servers and compute modules.

To find out if your server or compute module supports this feature, see the server specifications document at the following website:  
<https://www.hpe.com/info/quickspecs>.

The Service Port is a USB port with the label **iLO** on the front of the server.

To find out if your server supports this feature, see the server specifications document at the following website: <https://www.hpe.com/info/quickspecs>.

When you have physical access to a server, you can use the Service Port to do the following:

- Download the Active Health System Log to a supported USB flash drive.

When you use this feature, the connected USB flash drive is not accessible by the host operating system.

- Connect a client (such as a laptop) with a supported USB to Ethernet adapter to access the following:
  - iLO web interface
  - Remote console
  - iLO RESTful API
  - CLI

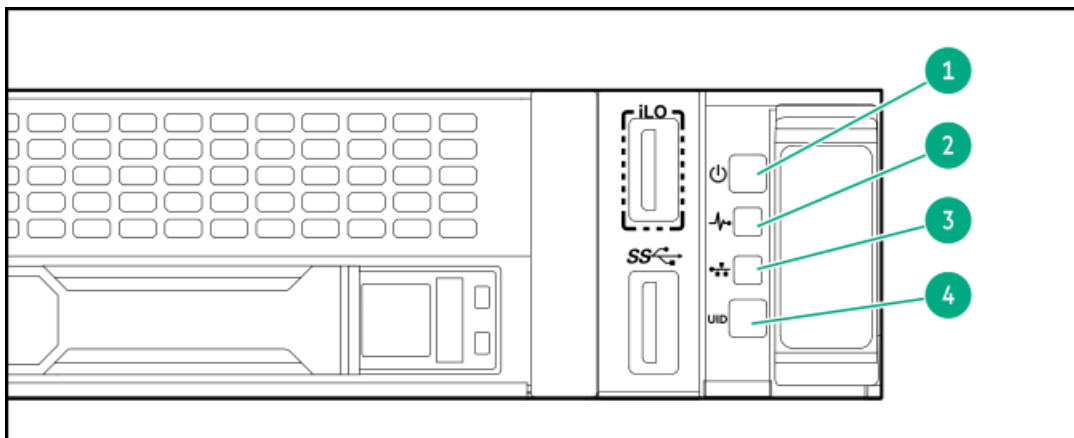
When you use the iLO Service Port:

- Actions are logged in the iLO event log.
- The server UID flashes to indicate the Service Port status.

You can also retrieve the Service Port status by using a REST client and the iLO RESTful API.

- You cannot use the Service Port to boot any device within the server, or the server itself.
- You cannot access the server by connecting to the Service Port.
- You cannot access the connected device from the server.

## Front panel LEDs and buttons





| Item | Description   | Status         | Definition   |
|------|---|----------------|--|
| 1    | Power On/Standby button and system power LED <sup>1</sup> | Solid green    | System on  |
|      |   | Flashing green | Performing power-on sequence   |
|      |   | Solid amber    | System in standby  |
|      |   | Off            | No power present <sup>2</sup>  |
| 2    | Health LED <sup>1</sup>                                   | Solid green    | Normal   |
|      |   | Flashing green | iLO is rebooting   |
|      |   | Flashing amber | System degraded <sup>3</sup>   |
|      |   | Flashing red   | System critical <sup>3</sup>   |
| 3    | NIC status LED <sup>1</sup>                               | Solid green    | Linked to network  |
|      |   | Flashing green | Network active   |
|      |   | Off            | No network activity  |
| 4    | UID button/LED <sup>1</sup>                               | Solid blue     | Activated  |
|      |   | Flashing blue  | <ul style="list-style-type: none"> <li>1 flash per second—Remote management or firmware upgrade in progress</li> <li>4 flashes per second—iLO manual reboot sequence initiated</li> <li>8 flashes per second—iLO manual reboot sequence in progress</li> </ul> |
|      |   | Off            | Deactivated  |

<sup>1</sup> When all LEDs flash simultaneously, a power fault has occurred. For more information, see [Front panel LED power fault codes](#).

<sup>2</sup> Facility power is not present, power cord is not attached, no power supplies are installed, or power supply failure has occurred.

<sup>3</sup> If the health LED indicates a degraded or critical state, [review the system Integrated Management Log \(IML\)](#) or use [HPE iLO](#) to review the system health status.

## Subtopics

### [Server UID LED](#)

#### [Using the UID button to view the Server Health Summary](#)

#### [Front panel LED power fault codes](#)

## Server UID LED

The UID LED is used to locate a particular server when it is deployed in a dense rack with other equipment. Activating the UID LED helps an on-site technician to quickly identify a server for maintenance tasks.

## Using the UID button to view the Server Health Summary

### Prerequisites

- An external monitor is connected.
- In the iLO web interface, the Show Server Health on External Monitor feature is enabled on the Access Settings page.

### About this task

Use the UID button to display the iLO Server Health Summary screen on an external monitor. This function works when the server is

powered on or off. Use this feature for troubleshooting if the server will not start up.



**CAUTION:** Press and release the UID button. Holding it down at any time for more than five seconds initiates a graceful iLO reboot or a hardware iLO reboot. Data loss or NVRAM corruption might occur during a hardware iLO reboot.

## Procedure

1. Press and release the UID button.

The Server Health Summary screen is displayed on the external monitor. For more information, see the iLO troubleshooting guide:

<https://www.hpe.com/support/ilo6>

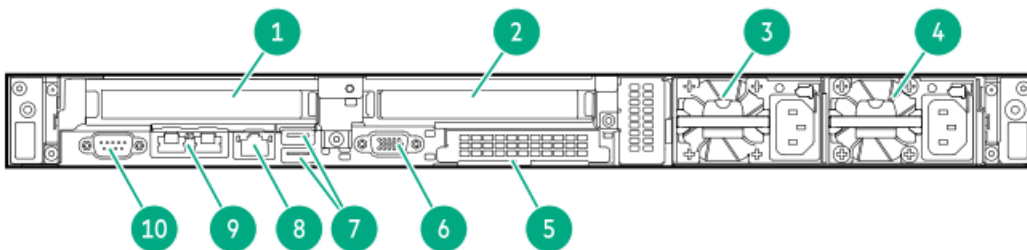
2. Press the UID button again to close the Server Health Summary screen.

## Front panel LED power fault codes

The following table provides a list of power fault codes, and the subsystems that are affected. Not all power faults are used by all servers.

| Subsystem                                     | LED behavior |
|---|--------------|
| System board                                  | 1 flash      |
| Processor                                     | 2 flashes    |
| Memory  | 3 flashes    |
| Riser board PCIe slots                        | 4 flashes    |
| FlexibleLOM                                   | 5 flashes    |
| Storage controller                            | 6 flashes    |
| System board PCIe slots                       | 7 flashes    |
| Power backplane                               | 8 flashes    |
| Storage backplane                             | 9 flashes    |
| Power supply                                  | 10 flashes   |
| PCIe expansion cards installed in riser board | 11 flashes   |
| Chassis                                       | 12 flashes   |
| GPU card                                      | 13 flashes   |

## Rear panel components



| Item | Description                           |
|------|---------------------------------------|
| 1    | Slot 1 PCIe5 x16 (16, 8, 4, 2 (Gen4)) |
| 2    | Slot 2 PCIe5 x16 (16, 8, 4, 2 (Gen4)) |
| 3    | Power supply 2 (PS2)                  |
| 4    | Power supply 1 (PS1)                  |
| 5    | Slot 14 OCP PCIe5 x16                 |
| 6    | Video (VGA) port                      |
| 7    | USB 3.2 Gen1 ports                    |
| 8    | iLO Management Port                   |
| 9    | Embedded 1x2 network port             |
| 10   | Serial port (optional)                |

## Subtopics

### Display device setup

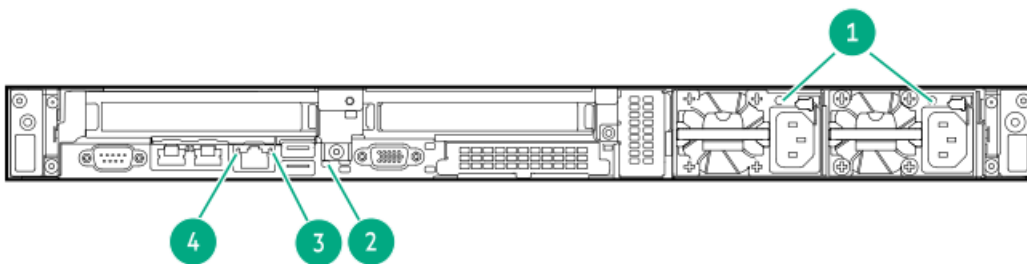
## Display device setup

The server supports both VGA port and DisplayPort 1.1a. Before connecting a display device, observe following:

- Display output modes:
  - If you connect two display devices to the server using both the VGA port and DisplayPort, the same image is mirrored on both devices.
  - The embedded video controller in the iLO chipset does not support dual display or screen extension mode. To enable dual display, install a compatible graphics card.
- When using HDMI or DVI adapters for the DisplayPort, use an active-type adapter. Passive-type adapters marked with the DP++ symbol are not supported.

Whenever possible, use the same display connection type. For example, if your monitor only has a VGA port, use the VGA port on the server. Using other adapters or converter cables or dongles might lead to decreased display quality or a lag over the connection.

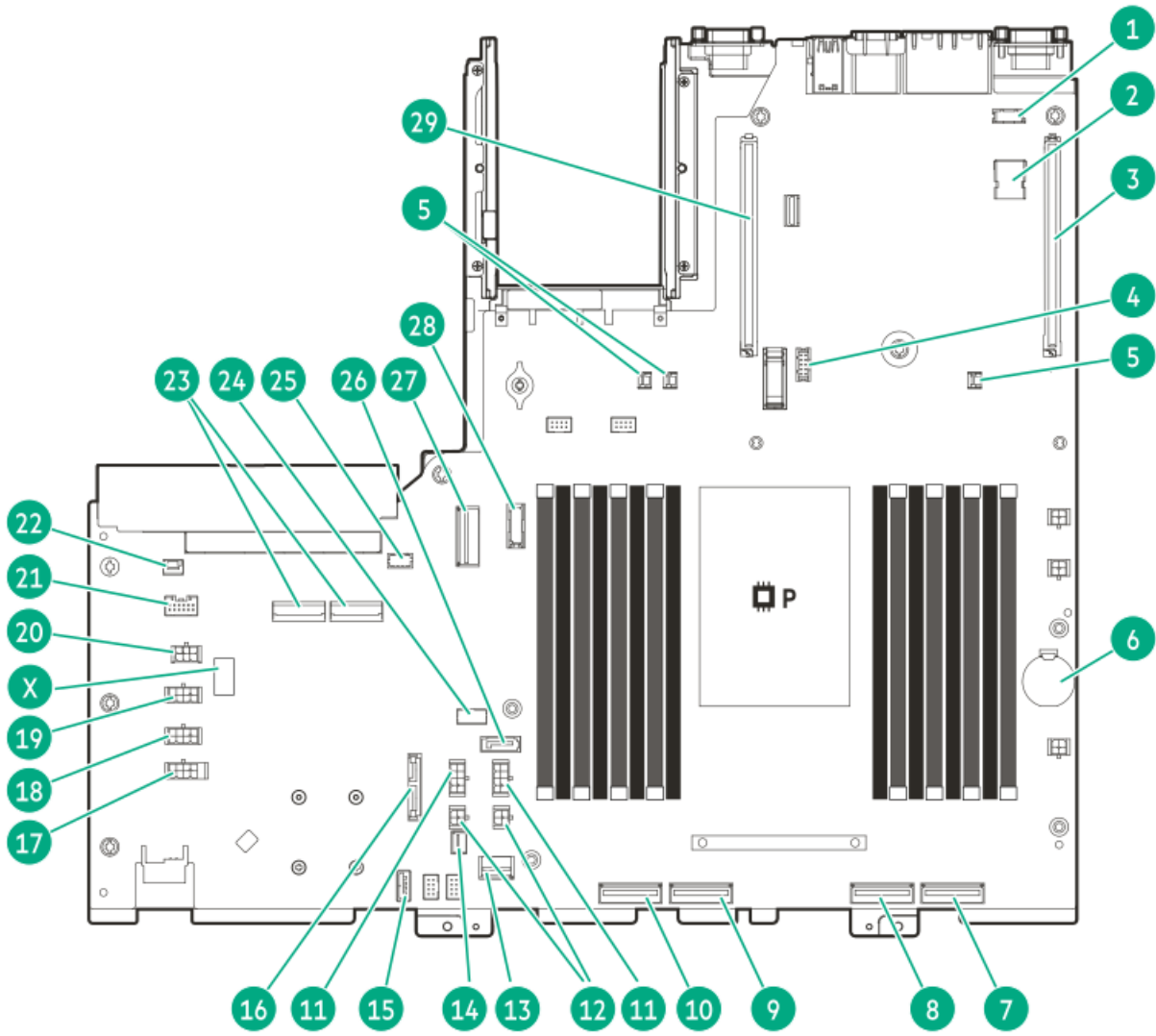
## Rear panel LEDs



| Item | LED          | Status         | Definition  |
|------|--------------|----------------|---|
| 1    | Power supply | Solid green    | The power supply is operating normally.   |
|      |              | Off            | One or more of the following conditions exists: <ul style="list-style-type: none"> <li>• Power is unavailable</li> <li>• Power supply failure</li> <li>• Power supply is in standby mode</li> <li>• Power supply error</li> </ul>                           |
| 2    | UID          | Solid blue     | Activated   |
|      |              | Flashing blue  | <ul style="list-style-type: none"> <li>• 1 flash per sec—Remote management or firmware upgrade in progress</li> <li>• 4 flashes per sec—iLO manual reboot sequence initiated</li> <li>• 8 flashes per sec—iLO manual reboot sequence in progress</li> </ul> |
|      |              | Off            | Deactivated   |
| 3    | iLO status   | Solid green    | Linked to network   |
|      |              | Flashing green | Network active  |
|      |              | Off            | No network activity   |
| 4    | iLO link     | Solid green    | Network link  |
|      |              | Off            | No network link   |

## System board components





| Item | Description                                  |
|------|--|
| 1    | Serial port cable connector                  |
| 2    | Internal USB 2.0 port                        |
| 3    | Primary riser connector                      |
| 4    | Video (VGA) cable connector                  |
| 5    | Storage controller backup power connector    |
| 6    | System battery                               |
| 7    | MCIO port 1                                  |
| 8    | MCIO port 2                                  |
| 9    | MCIO port 3                                  |
| 10   | MCIO port 4                                  |
| 11   | GPU Auxiliary power connector                |
| 12   | GPU riser power connector <sup>1</sup>       |
| 13   | Front I/O connector                          |
| 14   | SATA sideband connector                      |
| 15   | Internal USB 3.2 Gen1 port                   |
| 16   | Optical drive connector                      |
| 17   | Drive box 5 power connector                  |
| 18   | Drive box 3 power connector                  |
| 19   | Drive box 1 power connector                  |
| 20   | Media bay power connector                    |
| 21   | Energy pack connector                        |
| 22   | Chassis Intrusion Detection connector        |
| 23   | M.2 module connectors                        |
| 24   | Switch board sideband connector <sup>1</sup> |
| 25   | NS204i-u power connector                     |
| 26   | SATA 6 Gb/s port                             |
| 27   | x8 slimSAS port 1                            |
| 28   | Display port cable connector                 |
| 29   | Secondary riser connector                    |
| X    | System maintenance switch                    |

<sup>1</sup> This component is used in the 4 SFF and 8 E3.S drive configurations.

#### Subtopics

[System maintenance switch descriptions](#)

[DIMM label identification](#)

[DIMM slot numbering](#)

[Heatsink and processor socket components](#)

## System maintenance switch descriptions



| Position              | Default | Function   |
|-----------------------|---------|--|
| S1 <sup>1</sup>       | Off     | <ul style="list-style-type: none"> <li>Off—iLO 6 security is enabled.</li> <li>On—iLO 6 security is disabled.</li> </ul>       |
| S2                    | Off     | Reserved   |
| S3                    | Off     | Reserved   |
| S4                    | Off     | Reserved   |
| S5 <sup>1</sup>       | Off     | <ul style="list-style-type: none"> <li>Off—Power-on password is enabled.</li> <li>On—Power-on password is disabled.</li> </ul> |
| S6 <sup>1, 2, 3</sup> | Off     | <ul style="list-style-type: none"> <li>Off—No function</li> <li>On—Restore default manufacturing settings</li> </ul>           |
| S7                    | Off     | Reserved   |
| S8                    | Off     | Reserved   |
| S9                    | Off     | Reserved   |
| S10                   | Off     | Reserved   |
| S11                   | Off     | Reserved   |
| S12                   | Off     | Reserved   |

- <sup>1</sup> To access the redundant ROM, set S1, S5, and S6 to On.
- <sup>2</sup> When the system maintenance switch position 6 is set to the On position, the system is prepared to restore all configuration settings to their manufacturing defaults.
- <sup>3</sup> When the system maintenance switch position 6 is set to the On position and Secure Boot is enabled, some configurations cannot be restored. For more information, see [Configuring the server](#).

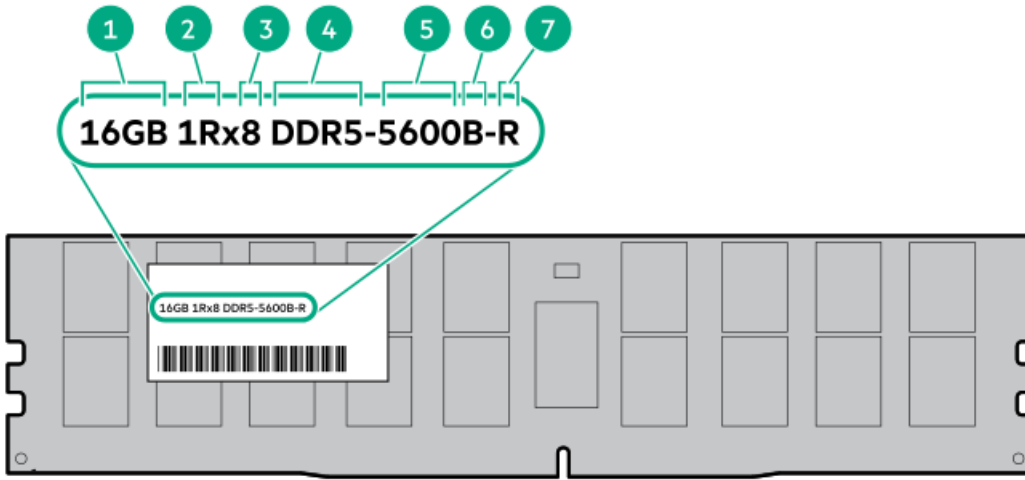
## DIMM label identification

To determine DIMM characteristics, see the label attached to the DIMM. The information in this section helps you to use the label to locate specific information about the DIMM.

For more information about product features, specifications, options, configurations, and compatibility, see the [HPE DDR5 SmartMemory QuickSpecs](#):

<https://www.hpe.com/docs/server-memory>





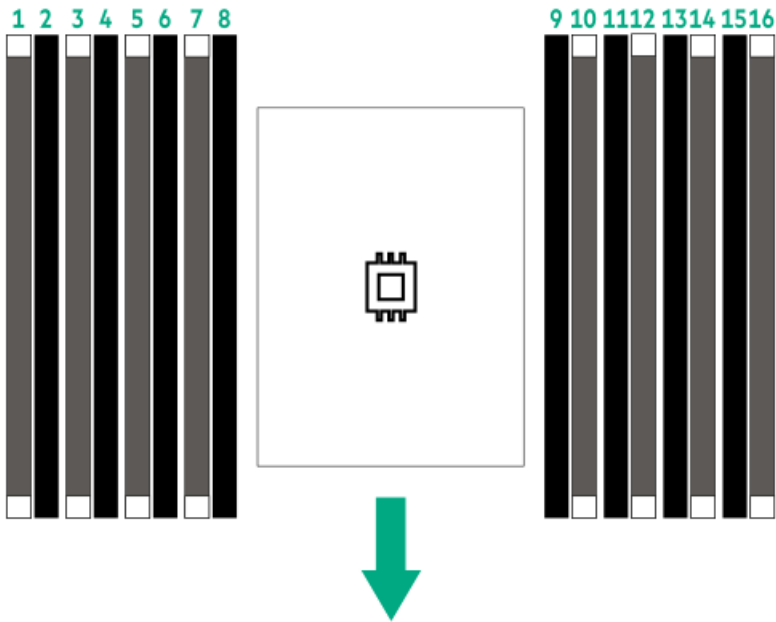
| Item | Description                       | Example   |
|------|-----------------------------------|---|
| 1    | Capacity <sup>1</sup>             | 16 GB<br>32 GB<br>64 GB<br>128 GB<br>256 GB                     |
| 2    | Rank                              | 1R—Single rank<br>2R—Dual rank<br>4R—Quad rank<br>8R—Octal rank |
| 3    | Data width on DRAM                | x4—4-bit<br>x8—8-bit  |
| 4    | Memory generation                 | PC5—DDR5  |
| 5    | Maximum memory speed <sup>1</sup> | 4800 MT/s<br>5600 MT/s  |
| 6    | CAS latency                       | B—42-42-42<br>B—50-42-42 (for 128 GB and 256 GB capacities)     |
| 7    | DIMM type                         | E—UDIMM (unbuffered with ECC)<br>R—RDIMM (registered)           |

<sup>1</sup> The maximum memory speed and capacity is a function of the memory type, memory configuration, and processor model.

## DIMM slot numbering

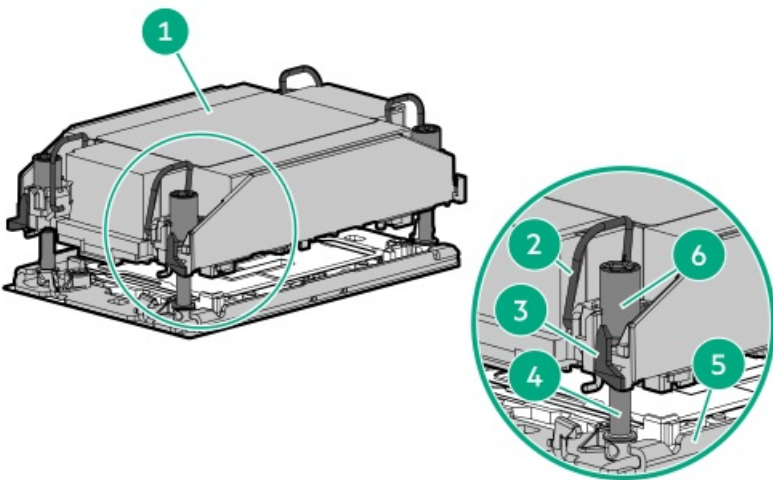
The arrow points to the front of the server.





## Heatsink and processor socket components

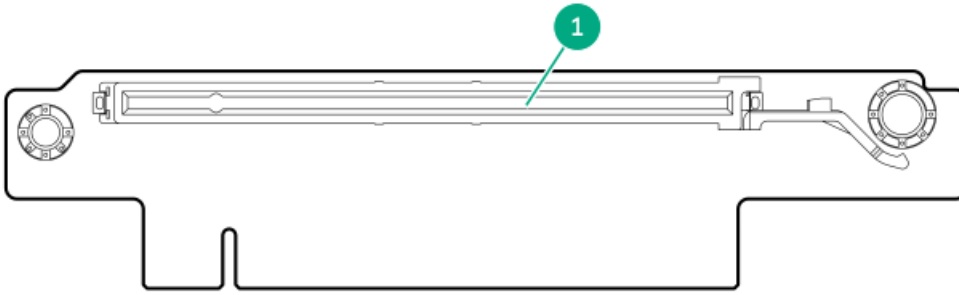
A standard heatsink is shown. Your heatsink might look different.



| Item | Description                    |
|------|--------------------------------|
| 1    | Processor-heatsink module *    |
| 2    | Anti-tilt wires                |
| 3    | Processor carrier release tabs |
| 4    | Bolster plate guide posts      |
| 5    | Bolster plate                  |
| 6    | Heatsink screws                |

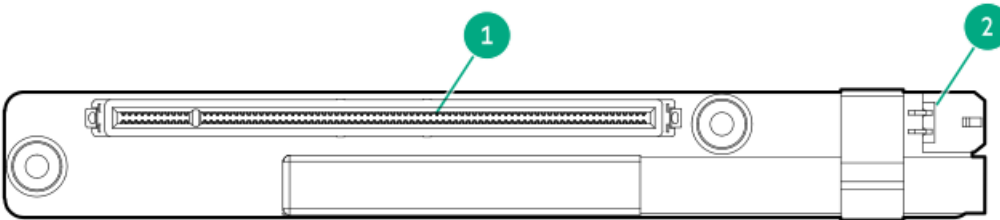
\* This module consists of the heatsink attached to the processor that is already secured in its carrier.

## Riser board components



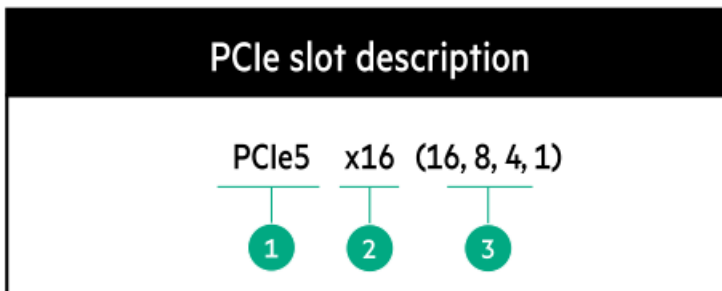
| Item | Description                    | Supported form factors   |
|------|--------------------------------|--|
| 1    | PCIe5 x16 (16, 8, 4, 2 (Gen4)) | <ul style="list-style-type: none"> <li>• Full-height, half-length</li> <li>• Half-height, half-length (low-profile)</li> </ul> |

## GPU riser board



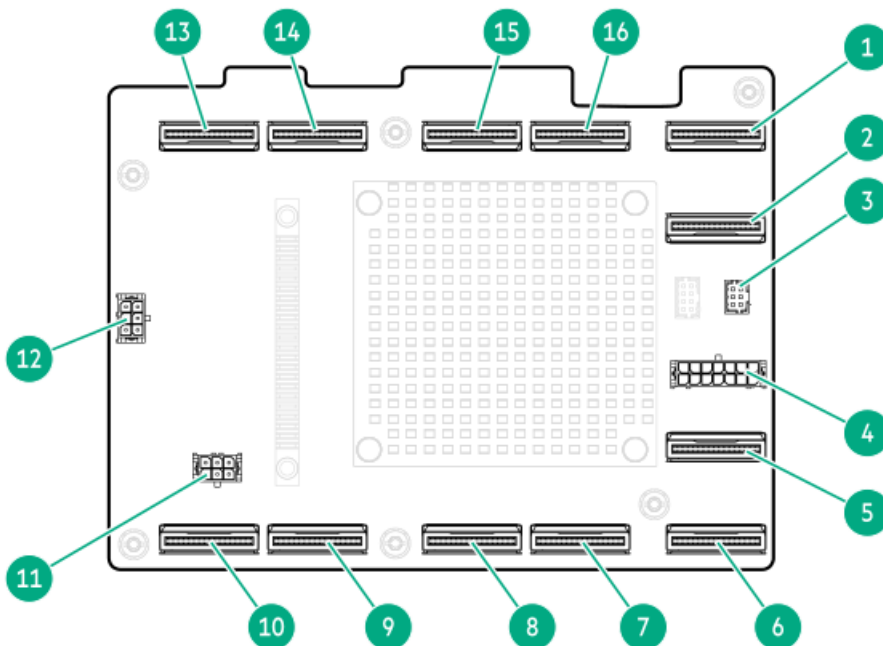
| Item | Description                    | Supported form factors   |
|------|--------------------------------|--|
| 1    | PCIe5 x16 (16, 8, 4, 2 (Gen4)) | <ul style="list-style-type: none"> <li>• Full-height, full-length</li> <li>• Half-height, half-length (low-profile)</li> </ul> |
| 2    | Power connector                | -  |

## PCIe5 slot description



| Item | Description                   | Definition   |
|------|-------------------------------|--|
| 1    | PCI Express version           | <p>Each PCIe version corresponds to a specific data transfer rate between the processor and peripheral devices. Generally, a version update corresponds to an increase in transfer rate.</p> <ul style="list-style-type: none"> <li>• PCIe 1.x</li> <li>• PCIe 2.x</li> <li>• PCIe 3.x</li> <li>• PCIe 4.x</li> <li>• PCIe 5.x</li> </ul> <p>The PCIe technology is under constant development. For the latest information, see the <a href="#">PCI-SIG website</a>.</p> |
| 2    | Physical connector link width | <p>PCIe devices communicate through a logical connection called an interconnect or link. At the physical level, a link is composed of one or more lanes. The number of lanes is written with an x prefix with x16 being the largest size in common use.</p> <ul style="list-style-type: none"> <li>• x1</li> <li>• x2</li> <li>• x4</li> <li>• x8</li> <li>• x16</li> </ul>  |
| 3    | Negotiable link width         | <p>These numbers correspond to the maximum link bandwidth supported by the slot.</p>   |

## PCIe switch board components



| Item | Description                             | Connect to  |
|------|---|---|
| 1    | Switch board downstream port 1          | MCIO port 4   |
| 2    | Switch board downstream port 2          | MCIO port 3   |
| 3    | Switch board signal extension connector | Switch board sideband connector                             |
| 4    | Switch board power connector            | Drive box 5 power connector and Drive box 3 power connector |
| 5    | Switch board downstream port 3          | MCIO port 2   |
| 6    | Switch board downstream port 4          | MCIO port 1   |
| 7    | GPU riser slot 5 MCIO connector (SEC)   | GPU riser slot 5  |
| 8    | GPU riser slot 5 MCIO connector (PRIM)  |   |
| 9    | GPU riser slot 6 MCIO connector (SEC)   | GPU riser slot 6  |
| 10   | GPU riser slot 6 MCIO connector (PRIM)  |   |
| 11   | GPU riser slot 5 and 6 power connector  | GPU riser slot 6 (P2)<br>GPU riser slot 5 (P3)              |
| 12   | GPU riser slot 3 and 4 power connector  | GPU riser slot 3 (P2)<br>GPU riser slot 4 (P3)              |
| 13   | GPU riser slot 4 MCIO connector (SEC)   | GPU riser slot 4  |
| 14   | GPU riser slot 4 MCIO connector (PRIM)  |   |
| 15   | GPU riser slot 3 MCIO connector (SEC)   | GPU riser slot 3  |
| 16   | GPU riser slot 3 MCIO connector (PRIM)  |   |

## Accelerator slot numbering

### Rear riser cage configuration



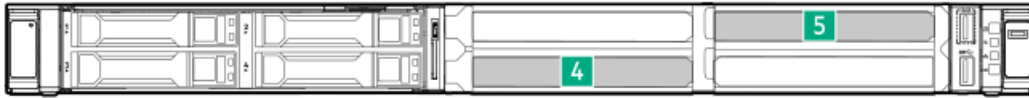
### Single-width GPU configuration

- 1 single-width accelerator with 4 SFF NVMe drive configuration
- 1 single-width accelerator with 8 E3.S drive configuration

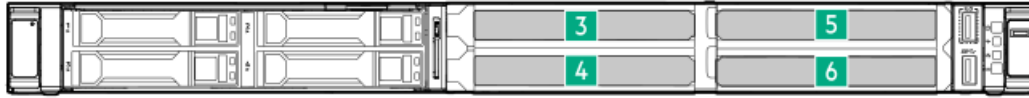


- 2 single-width accelerators with 4 SFF NVMe drive configuration

- 2 single-width accelerators with 8 E3.S drive configuration



- 4 single-width accelerators with 4 SFF NVMe drive configuration
- 4 single-width accelerators with 8 E3.S drive configuration

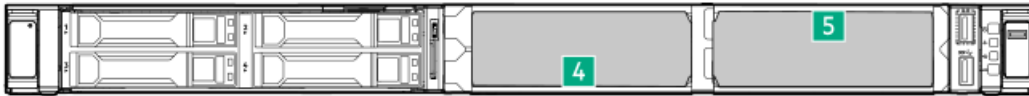


## Double-width GPU configuration

- 1 double-width accelerator with 4 SFF NVMe drive configuration
- 1 double-width accelerator with 8 E3.S drive configuration



- 2 double-width accelerators with 4 SFF NVMe drive configuration
- 2 double-width accelerators with 8 E3.S drive configuration



## HPE Basic Drive LED definitions

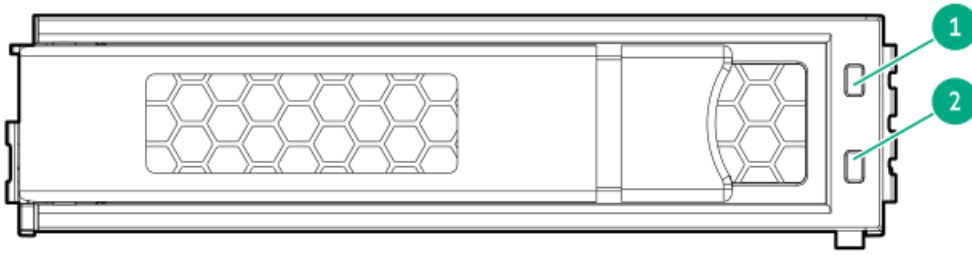
The HPE Basic drive carrier has the following LEDs:

- Amber/blue LED—Managed by the drive backplane in conjunction with the storage controller and is used to indicate drive status.
- Green LED—Managed by the drive itself and indicates the drive activity.

## LFF low-profile drive carrier

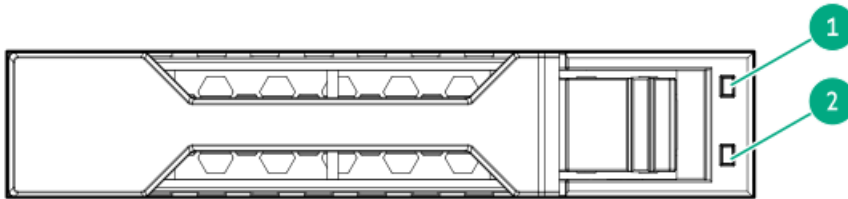
The LFF low-profile drive carrier supports hot-plug hot-plug, SAS, and SATA.





## SFF basic drive carrier

The SFF basic drive carrier supports hot-plug SAS, SATA, NVMe.



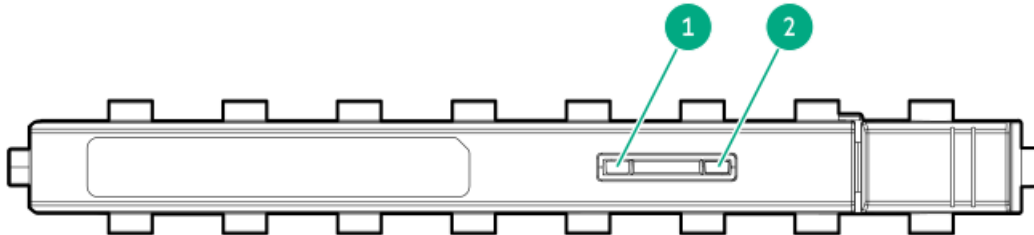
| Item | LED             | State                                    | Definition  |
|------|-----------------|--|---|
| 1    | Fault/Locate    | Solid amber                              | This drive has failed, is unsupported, or is invalid.   |
|      |                 | Solid blue                               | The drive is operating normally and being identified by a management application.   |
|      |                 | Flashing amber/blue (1 flash per second) | The drive has failed, or a predictive failure alert has been received for this drive. The drive has also been identified by a management application.   |
|      |                 | Flashing amber (1 flash per second)      | A predictive failure alert has been received for this drive. Replace the drive as soon as possible.   |
|      |                 | Off                                      | The drive is operating normally and not being identified by a management application.   |
| 2    | Online/Activity | Solid green                              | The drive is online and has no activity.  |
|      |                 | Flashing green (1 flash per second)      | The drive is doing one of the following: <ul style="list-style-type: none"> <li>Rebuilding or performing a RAID</li> <li>Performing a stripe size migration</li> <li>Performing a capacity expansion</li> <li>Performing a logical drive extension</li> <li>Erasing</li> <li>Spare part activation</li> </ul> |
|      |                 | Flashing green (4 flashes per second)    | The drive is operating normally and has activity.   |
|      |                 | Off                                      | The drive is not configured by a RAID controller or is a spare drive.   |



## EDSFF SSD LED definitions

This server supports hot-plug Enterprise and Data Center Standard Form Factor (EDSFF) drives, specifically, E3.S PCIe5 NVMe SSDs. The EDSFF drive carrier has two LEDs:

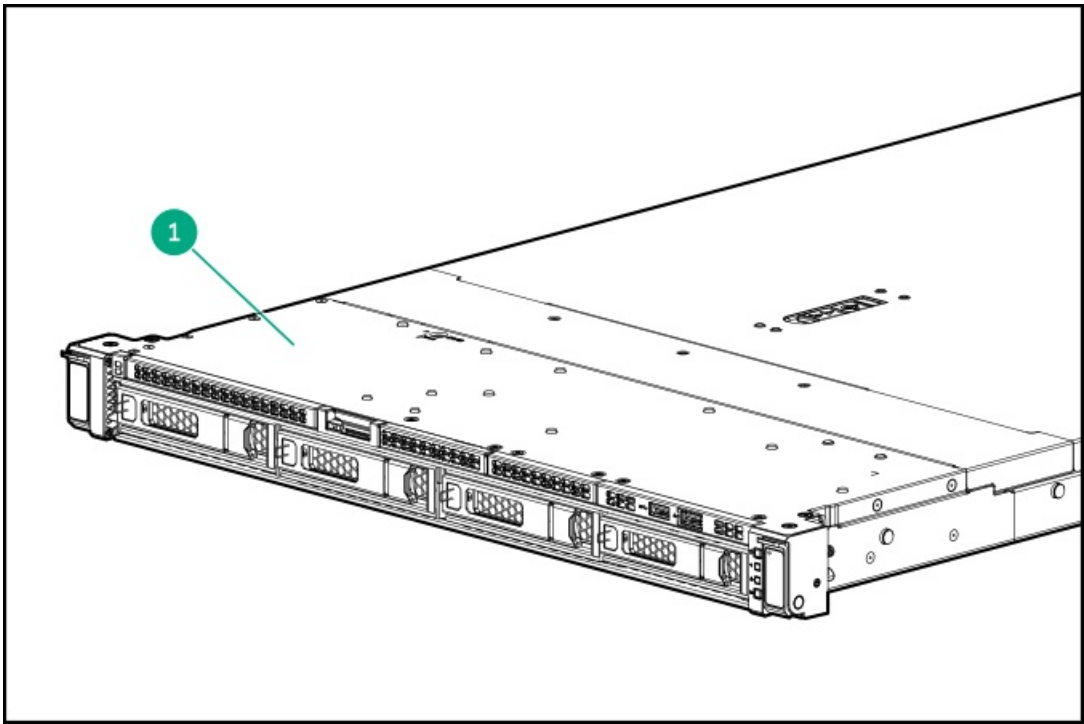
- Amber/blue LED—Managed by the drive backplane in conjunction with the storage controller and is used to indicate drive status.
- Green LED—Managed by the drive itself and indicates the drive activity.



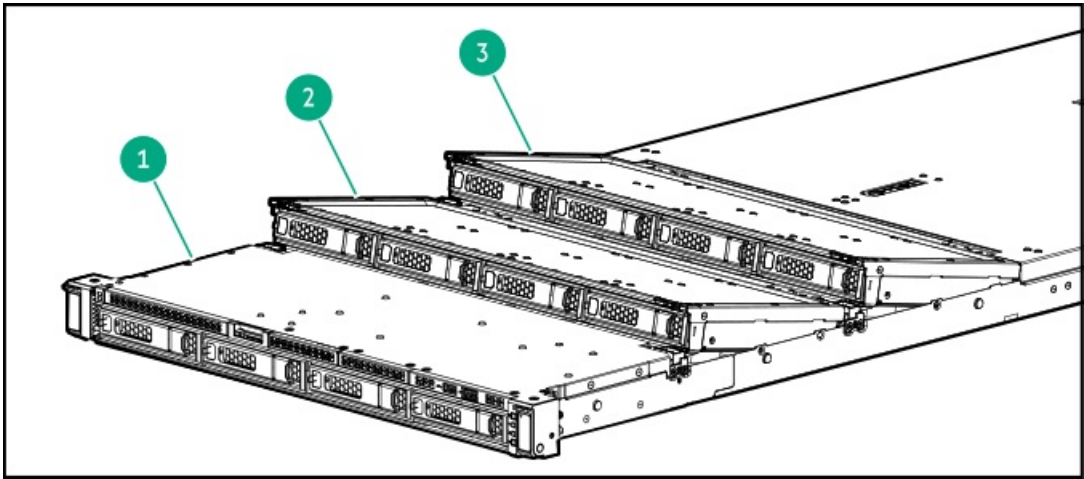
| Item | LED             | State                                    | Definition  |
|------|-----------------|--|---|
| 1    | Fault/Locate    | Solid amber                              | This drive has failed, is unsupported, or is invalid.   |
|      |                 | Solid blue                               | The drive is operating normally and being identified by a management application.   |
|      |                 | Flashing amber/blue (1 flash per second) | The drive has failed, or a predictive failure alert has been received for this drive. The drive has also been identified by a management application. |
|      |                 | Flashing amber (1 flash per second)      | A predictive failure alert has been received for this drive. Replace the drive as soon as possible.   |
|      |                 | Off                                      | The drive is operating normally and not being identified by a management application.   |
| 2    | Online/Activity | Solid green                              | The drive is online and has no activity.  |
|      |                 | Flashing green (4 flashes per second)    | The drive is operating normally and has activity.   |
|      |                 | Off                                      | No power present  |

## Drive box identification

- LFF drive model
  - Short chassis



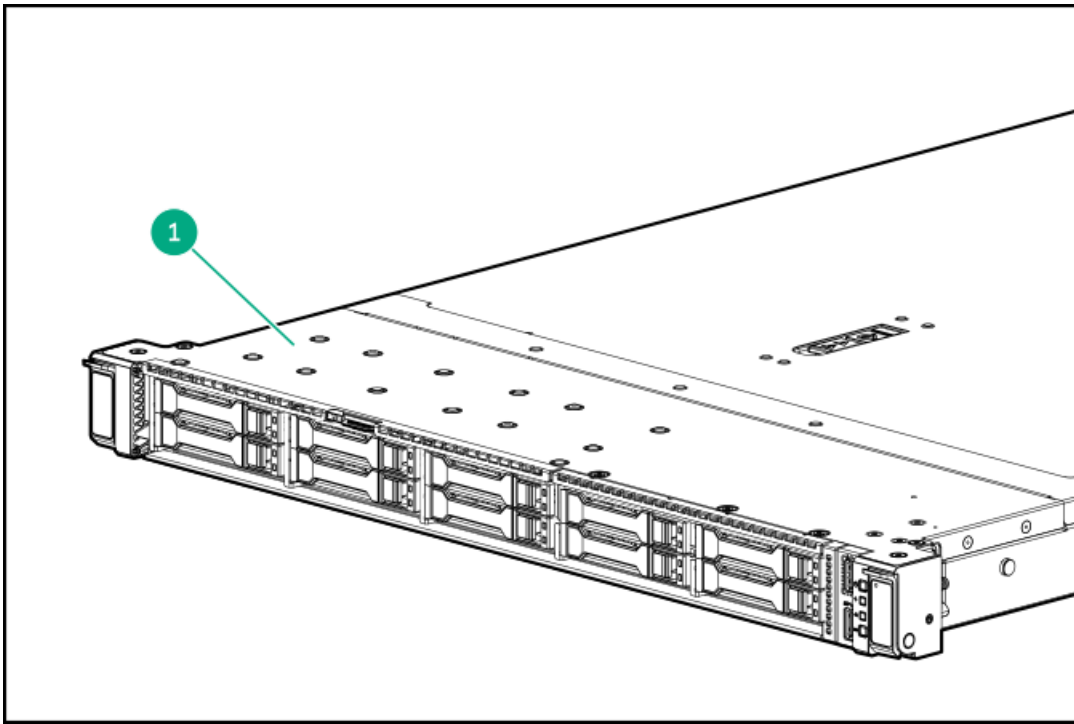
- Long chassis



- SFF drive model







| Item | Description |
|------|-------------|
| 1    | Box 1       |
| 2    | Box 3       |
| 3    | Box 5       |

## Drive bay numbering



### CAUTION:

When a server is purchased without any drive installed, some drive bays might be empty while other drive bays might be populated with drive blanks. To maintain proper system cooling, do not operate the server without a drive or a drive blank installed.

### Subtopics

[SFF drive bay numbering](#)

[LFF drive bay numbering](#)

[E3.S drive bay numbering](#)

## SFF drive bay numbering

The following drive backplane options are supported in all SFF drive configurations:

- 2 SFF side-by-side drive backplanes:
  - 2 SFF 24G x4 NVMe / SAS UBM3 BC
  - 2 SFF 24G x4 NVMe / SAS UBM6 BC
- 8 SFF drive backplanes:



- 8 SFF 24G x 1 NVMe / SAS UBM3 BC
- 8 SFF 24G x1 NVMe / SAS UBM6 BC
- 8 SFF 24G x4 NVMe / SAS UBM3 BC
- 8 SFF 24G x4 NVMe / SAS UBM6 BC

The following drive backplane options are supported in servers with a GPU riser cage:

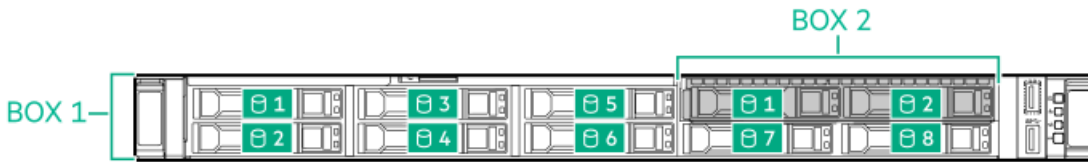
- 4 SFF drive backplanes:
  - 2x 2SFF 24G x4 NVMe / SAS UBM3 BC
  - 2x 2SFF 24G x4 NVMe / SAS UBM6 BC

For more information on the drive backplane description, see [Drive backplane naming](#).

## 8 SFF drive bay numbering

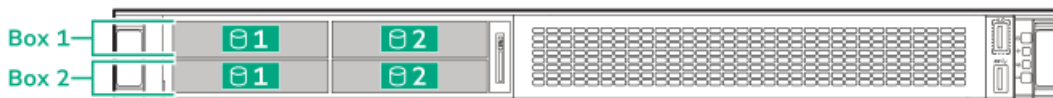


## 8 + 2 SFF drive bay numbering



| Box | Drive bays |
|-----|------------|
| 1   | 1-8        |
| 2   | 1 and 2    |

## 4 SFF drive bay numbering



| Box | Drive bays |
|-----|------------|
| 1   | 1 and 2    |
| 2   | 1 and 2    |

In the SFF drive configuration:

- Drives are assigned to box 1 and optional box 2.
- SAS, SATA, NVMe are supported.
- To manage the hot-plug SAS drive, install one of the following storage controllers:
  - HPE SR/MR type-p Gen11 storage controller
  - HPE MR type-o Gen11 storage controller (OROC)

- When installing NVMe drives, install either all U.2 or all U.3 drives. Mixed NVMe drive type installation in the same box is not supported.

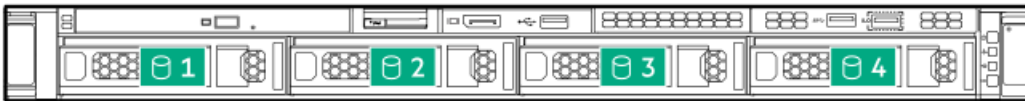
## LFF drive bay numbering

The following drive backplane options are supported in all LFF drive configurations:

- 4 LFF 12G x1 SAS UBM2 LP
- 4 LFF 12G x1 SAS UBM6 LP

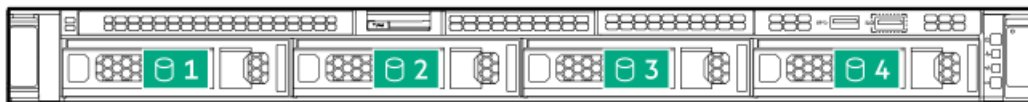
For more information on the drive backplane description, see [Drive backplane naming](#).

### 4 LFF drive bay numbering

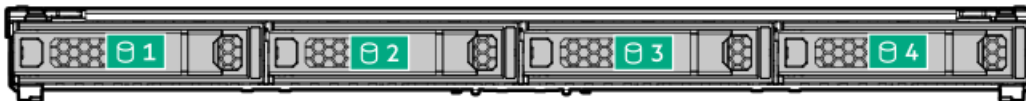


### 12 LFF drive bay numbering

- Box 1



- Box 3/Box 5



In the LFF drive configuration:

- All drives belong to box 1.
- hot-plug, SAS, and SATA drives are supported.
- To manage the hot-plug SAS drive, install the HPE MR type-o Gen11 storage controller (OROC).

## E3.S drive bay numbering

The 8 E3.S 32G x4 NVMe UBM5 E3C drive backplane option is supported.

For more information on the drive backplane description, see [Drive backplane naming](#).



## Drive backplane naming

This topic explains the features represented in the drive backplane naming. This naming convention was adopted starting in the HPE Gen11 server release. Your server might not support all the features listed in this topic. For server-specific support information, see the server guides:

- Drive backplane support, see [Drive bay numbering](#).
- Drive backplane cabling, see [Storage cabling](#).



| Item | Description                               | Values  |
|------|---|---|
| 1    | Drive bay count                           | Number of drive bays supported by the backplane.  |
| 2    | Drive form factor                         | LFF—Large Form Factor<br>SFF—Small Form Factor<br>E3.S—Enterprise and Datacenter Standard Form Factor (EDSFF)                                       |
| 3    | Maximum link rate per lane (GT/s)         | 12G<br>16G<br>24G<br>32G  |
| 4    | Port link width and interface             | x1 NVMe/SAS—U.3 NVMe, SAS, or SATA <sup>1</sup><br>x4 NVMe/SAS—U.3 NVMe, SAS, or SATA <sup>2</sup><br>x4 NVMe—U.2 NVMe <sup>3</sup><br>x4 NVMe—E3.S |
| 5    | Universal backplane manager (UBM) options | UBM2—Segregated SAS/SATA<br>UBM3 or UBM6—Converged<br>UBM4 or UBM6—Segregated U.2 NVMe<br>UBM5 or UBM7—EDSFF  |
| 6    | Drive carrier type                        | BC—Basic carrier (SFF)<br>LP—Low-profile carrier (LFF)<br>EC1—E3.S carrier  |

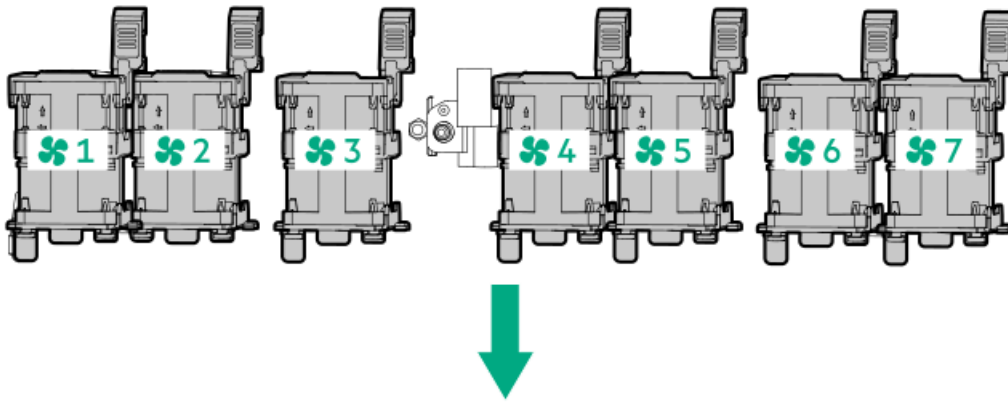
<sup>1</sup> Tri-mode controller support for x1 U.3 NVMe, SAS, and SATA drives. System board connection supports SATA drives only.

<sup>2</sup> CPU direct attach or tri-mode controller support for x4 U.3 NVMe, x2 U.3 NVMe, or x1 SAS and SATA drives.

<sup>3</sup> CPU direct attach or tri-mode controller support for x4 U.2 NVMe drives.

## Fan numbering

To provide sufficient airflow to the system, the server is by default populated by five standard fans or seven high performance fans. There are a total of seven fans.



The arrow points to the front of the server.

## Fan and heatsink requirements

The table lists the fan and heatsink requirements for the server depending on the hardware configuration. For more detailed information, see the product QuickSpecs on the Hewlett Packard Enterprise website (<https://www.hpe.com/info/quickspecs>).

| Configuration      | Fan              | Processor TDP                 | Ambient operating temperature | Heatsink    |
|--------------------|------------------|-------------------------------|-------------------------------|-------------|
| 8 + 2 SFF drives   | Standard         | ≤ 185 W                       | 30°C (86°F)                   | Standard    |
|                    | High performance | 185 W < CPUs with TDP ≤ 270 W |                               | Performance |
| 4 LFF drives       | Standard         | ≤ 185 W                       | 30°C (86°F)                   | Standard    |
|                    | High performance | 185 W < CPUs with TDP ≤ 270 W |                               | Performance |
| 12 LFF drives      | High performance | ≤ 185 W                       | 30°C (86°F)                   | Standard    |
|                    |                  | 185 W < CPUs with TDP ≤ 270 W |                               | Performance |
| 2 dual width GPU   | High performance | 185 W < CPUs with TDP ≤ 270 W | ≤ 25°C (77°F)                 | Performance |
|                    |                  | CPUs with TDP ≤ 185 W         |                               | Standard    |
| 2 single width GPU | High performance | 185 W < CPUs with TDP ≤ 270 W | ≤ 25°C (77°F)                 | Performance |
|                    |                  | CPUs with TDP ≤ 185 W         |                               | Standard    |

## Trusted Platform Module 2.0

The Trusted Platform Module 2.0 (TPM) is a hardware-based system security feature that securely stores artifacts used to authenticate the platform. These artifacts can include passwords, certificates, and encryption keys.

The TPM 2.0 is embedded on the server system board.

The TPM 2.0 is supported with specific operating system support such as Microsoft Windows Server 2012 R2 and later. For more information about operating system support, see the product QuickSpecs on the Hewlett Packard Enterprise website (<https://www.hpe.com/info/quickspecs>). For more information about Microsoft Windows BitLocker Drive Encryption feature, see the Microsoft website (<https://www.microsoft.com>).

### Subtopics

[Trusted Platform Module 2.0 guidelines](#)

[BitLocker recovery key/password retention guidelines](#)

## Trusted Platform Module 2.0 guidelines



### CAUTION:

- Always observe the TPM guidelines in this section. Failure to follow these guidelines can cause hardware damage or halt data access.
- If you do not follow procedures for modifying the server and suspending or disabling the TPM in the OS, an OS that is using TPM might lock all data access. This includes updating system or option firmware, replacing hardware such as the system board and drives, and modifying TPM OS settings.
- Changing the TPM mode after installing an OS might cause problems, including loss of data.

**Hewlett Packard Enterprise SPECIAL REMINDER:** Before enabling TPM functionality on this system, you must ensure that your intended use of TPM complies with relevant local laws, regulations and policies, and approvals or licenses must be obtained if applicable.

慧与特别提醒：在您启用系统中的TPM功能前，请务必确认您对TPM的使用遵守当地相关法律、法规及政策，并已事先获得所需的一切批准及许可（如适用），因您未获得相应的操作/使用许可而导致的违规问题，皆由您自行承担全部责任，与慧与无涉。

- When the embedded TPM is enabled, the Trusted Platform Module operates in TPM 2.0 mode.
- Use the UEFI System Utilities to configure the TPM. From the System Utilities screen, select System Configuration > BIOS/Platform Configuration (RBSU) > Server Security > Trusted Platform Module options. For more information, see the UEFI user guide:  
<https://www.hpe.com/support/UEFIGen11-UG-en>
- When using the Microsoft Windows BitLocker Drive Encryption feature, always retain the recovery key or password. The recovery key or password is required to enter Recovery Mode after BitLocker detects a possible compromise of system integrity.
- HPE is not liable for blocked data access caused by improper TPM use. For operating instructions, see the documentation for the encryption technology feature provided by the operating system.

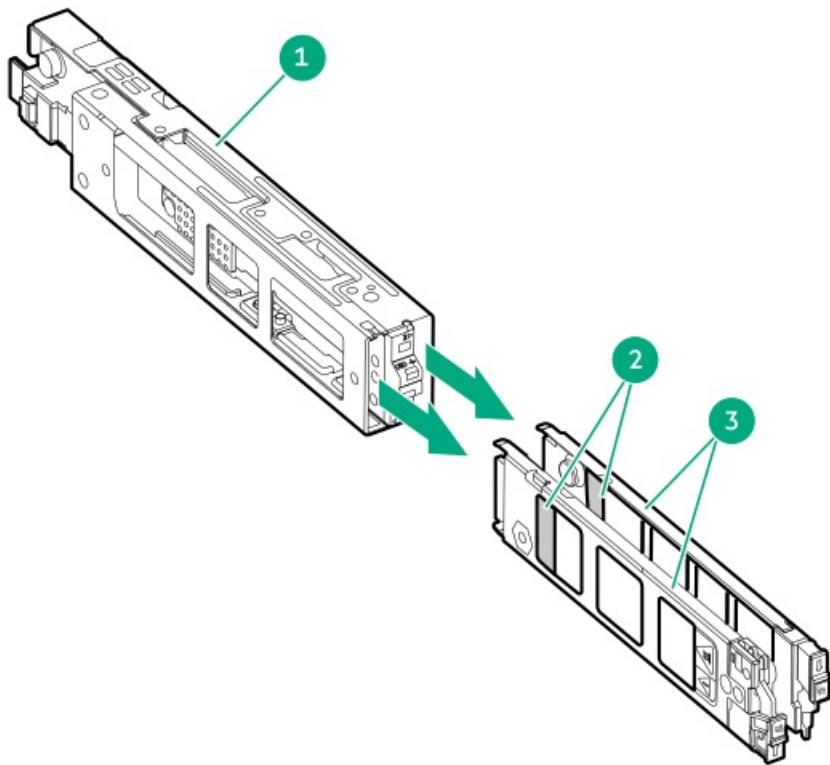
## BitLocker recovery key/password retention guidelines

The recovery key/password is generated during BitLocker setup, and can be saved and printed after BitLocker is enabled. When using BitLocker, always retain the recovery key/password. The recovery key/password is required to enter Recovery Mode after BitLocker detects a possible compromise of system integrity.

To help ensure maximum security, observe the following guidelines when retaining the recovery key/password:

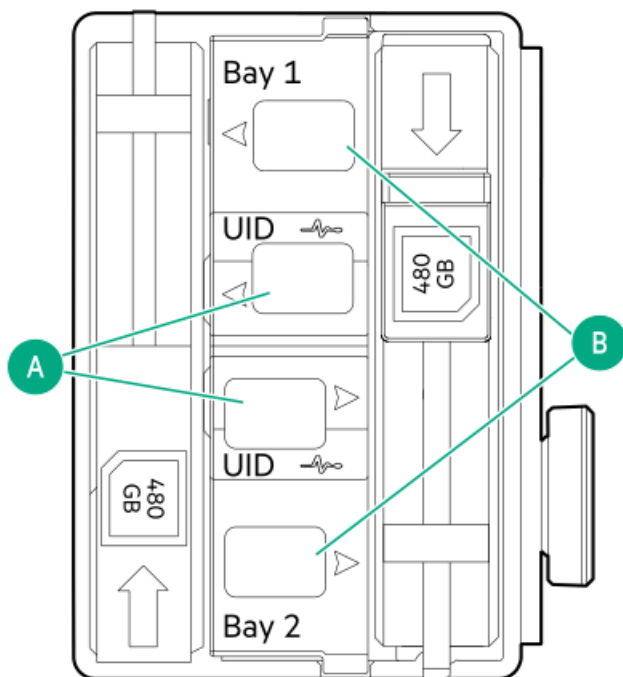
- Always store the recovery key/password in multiple locations.
- Always store copies of the recovery key/password away from the server.
- Do not save the recovery key/password on an encrypted drive.

## HPE NS204i-u Boot Device components



| Item | Description          |
|------|----------------------|
| 1    | Boot device cage     |
| 2    | M.2 slots            |
| 3    | Boot device carriers |

### HPE NS204i-u Boot Device LED definitions





NOTE: The bay number can be found on the SSD carrier handle.

| Item | LED             | Status  | Definition  |
|------|-----------------|---|---|
| A    | Fault or Locate | Solid amber                                   | Drive has failed, unsupported, or invalid.  |
|      |                 | Solid blue                                    | Drive is operating normally.  |
|      |                 | Flashing amber or blue (one flash per second) | Drive has failed, or a predictive failure alert is received for the drive.  |
|      |                 | Flashing amber (one flash per second)         | Drive predictive failure alert is received. Replace the drive as soon as possible.  |
|      |                 | Off   | Drive is operating normally and is not identified by any application.   |
| B    | Online/Activity | Solid green                                   | Drive is online and has no activity.  |
|      |                 | Flashing green (one flash per second)         | Drive is doing one of the following: <ul style="list-style-type: none"> <li>Rebuilding or performing a RAID</li> <li>Erasing</li> </ul> |
|      |                 | Flashing green (4 flashes per second)         | Drive is operating normally and has activity.   |
|      |                 | Off   | Drive is not configured by a RAID controller.   |

## Setup

This chapter describes general operational requirements and safety reminders, as well as the initial setup procedure for the server.

### Subtopics

- [Initial system installation](#)
- [Operational requirements](#)
- [Rack warnings and cautions](#)
- [Server warnings and cautions](#)
- [Electrostatic discharge](#)

## Initial system installation

Depending on your technical expertise and the complexity of the product, for the initial system installation, select one of the following options:

- [Ordering the HPE Installation Service](#)
- [Setting up the server](#)

### Subtopics

- [HPE Installation Service](#)
- [Intel VROC support](#)
- [Setting up the server](#)

## HPE Installation Service



HPE Installation Service provides basic installation of Hewlett Packard Enterprise branded equipment, software products, as well as HPE-supported products from other vendors that are sold by HPE or by HPE authorized resellers. The Installation Service is part of a suite of HPE deployment services that are designed to give users the peace of mind that comes from knowing that their HPE and HPE-supported products have been installed by an HPE specialist.

The HPE Installation Service provides the following benefits:

- Installation by an HPE authorized technical specialist.
- Verification prior to installation that all service prerequisites are met.
- Delivery of the service at a mutually scheduled time convenient to your organization.
- Allows your IT resources to stay focused on their core tasks and priorities.
- Full coverage during the warranty period for products that require installation by an HPE authorized technical specialist.

For more information on the features, limitations, provisions, and ordering information of the HPE Installation Service, see this Hewlett Packard Enterprise website:

<https://www.hpe.com/support/installation-service>

## Intel VROC support

Intel Virtual RAID on CPU (Intel VROC) provides enterprise-level hybrid RAID support. Note the following information:

- Intel VROC provides RAID support for direct attached SATA and NVMe SSDs.
- The Intel VROC driver is required. For the OS-specific driver download, see the following page:  
[https://support.hpe.com/hpesc/public/docDisplay?docId=sd00002239en\\_us&page=GUID-249FA246-0985-4598-8D7E-94069560F959.html](https://support.hpe.com/hpesc/public/docDisplay?docId=sd00002239en_us&page=GUID-249FA246-0985-4598-8D7E-94069560F959.html)
- Intel VROC requires the server boot mode to be set to UEFI Mode.
- Intel VROC RAID support is disabled by default. In the pre-OS environment, use UEFI System Utilities to enable Intel VROC and create a VROC RAID volume. These tasks are not supported in Intelligent Provisioning.
- The VROC RAID volume must use drives of the same interface and form factor.
- Intel VROC supports RAID management through the following tools:
  - Non-OS specific: UEFI System Utilities
  - Windows: Intel VROC GUI, Intel VROC CLI
  - Linux: `mdadm` CLI

For more information on Intel VROC features and configuration, see [Configuring storage controllers](#).

## Setting up the server

### Prerequisites

- As a best practice, Hewlett Packard Enterprise recommends installing the latest firmware, drivers, and system software before using the server for the first time. You have these options:
  - HPE GreenLake for Compute Ops Management is an advanced software-as-a-service platform that securely streamlines operations from edge-to-cloud and automates key life cycle tasks through a unified single browser-based interface. For more information on using HPE GreenLake for Compute Ops Management, see <https://www.hpe.com/info/com-docs>.

- Use the Firmware Update option in Intelligent Provisioning—Intelligent Provisioning is a server deployment tool embedded in HPE ProLiant servers. To access Intelligent Provisioning, during the server boot process, press **F10**. For more information, see the Intelligent Provisioning user guide at <https://www.hpe.com/info/intelligentprovisioning/docs>.
- Download the Service Pack for ProLiant (SPP)—SPP is a comprehensive system software and firmware update solution that is delivered as a single ISO image. This solution uses Smart Update Manager (SUM) as the deployment tool.
  - The preferred method for downloading an SPP is by creating an SPP custom download at <https://www.hpe.com/servers/spp/custom>.  
This option reduces the size of the SPP by excluding firmware and drivers for OS and server models that are not needed.
  - The SPP is also available for download from the SPP download page at <https://www.hpe.com/servers/spp/download>.
- Verify that your OS or virtualization software is supported: <https://www.hpe.com/support/Servers-Certification-Matrices>
- The embedded Intel Virtual RAID on CPU (Intel VROC) provides enterprise-level hybrid RAID support. Note the following information:
  - Intel VROC provides RAID support for direct attached SATA and NVMe SSDs, including M.2 SSDs.
  - The VROC RAID volume must use drives of the same form factor.
  - Intel VROC requires the server boot mode to be set to UEFI Mode.
  - In the pre-OS environment, use UEFI System Utilities to enable Intel VROC and create a VROC RAID volume. This task is not supported in Intelligent Provisioning.
  - Intel VROC supports RAID management through the following tools:
    - Non-OS specific: UEFI System Utilities
    - Windows: Intel VROC GUI, Intel VROC CLI
    - Linux: `mdadm` CLI

For more information on Intel VROC features and configuration, see the Intel Virtual RAID on CPU for HPE Gen11 User Guide:

<https://hpe.com/support/VROC-Gen11-UG>.

- Read the [operational requirements](#) for the server.
- Read the safety and compliance information: <https://www.hpe.com/support/safety-compliance-enterpriseproducts>
- Take note of the iLO hostname and default login credentials on the [serial number/ iLO information pull tab](#).

## Procedure

1. Unbox the server and verify the contents:
  - Server
  - Power cord
  - Rack rail hook-and-loop strap
  - Rack-mounting hardware (optional)
  - Printed setup documentation

The server does not ship with OS media. All system software and firmware is preloaded on the server.

2. (Optional) [Install the hardware options](#).
3. [Install the server into the rack](#).
4. Press the Power On/Standby button.



5. Decide how to manage the server:

- Locally: Use a KVM switch or a connect a keyboard, monitor, and mouse.
- Remotely: Connect to the iLO web interface and run a remote console:

a. Verify the following:

- iLO is licensed to use the remote console feature.

If iLO is not licensed, visit the HPE website:

<https://www.hpe.com/info/ilo>

- The iLO management port is connected to a secure network.

b. Using a browser, navigate to the iLO web interface, and then log in.

```
https://<iLO hostname or IP address>
```

Note the following:

- The iLO host name is on the serial number/ iLO information pull tab on the front panel.
- If a DHCP server assigns the IP address, the IP address appears on the boot screen.
- If a static IP address is assigned, use that IP address.
- The default login credentials are on the serial number/ iLO information pull tab on the front panel.

c. Enter the iLO login name and password, and then click Log In.

d. In the navigation tree, click the Remote Console & Media link, and then launch a remote console.

6. Configure the initial server setup.

7. Set up the storage.

8. Deploy an OS or virtualization software.

9. After the OS is installed, update the drivers.

## Operational requirements

When preparing and planning the installation, observe the following operational requirements:

- Space and airflow requirements
- Temperature requirements
- Power requirements
- Electrical grounding requirements

For environmental requirements, see Environmental specifications.

### Subtopics

Space and airflow requirements

Temperature requirements

Power requirements

Electrical grounding requirements

## Space and airflow requirements

To allow for servicing and adequate airflow, observe the following space and airflow requirements when installing the server in an indoor commercial rack:

- 63.50 cm (25.00 in) in front of the rack
- 76.20 cm (30.00 in) behind the rack
- 121.90 cm (48.00 in) from the back of the rack to the back of another rack or row of racks

Observe the following:

- Servers draw in cool air through the front of the rack and expel warm air through the rear. The front and rear rack doors must be adequately ventilated to allow ambient air to enter the cabinet. The rear door must be adequately ventilated to allow the warm air to escape from the cabinet.



**CAUTION:**

To prevent improper cooling and damage to the equipment, do not block the ventilation openings.



**CAUTION:**

When the vertical space in the rack is not filled by a server or rack component, the gaps between the components can cause changes in airflow through the rack and around the servers. Cover all gaps with blanking panels to maintain proper airflow. Using a rack without blanking panels results in improper cooling which can lead to thermal damage.

- If a third-party rack is used, observe the following additional requirements to ensure adequate airflow and prevent damage to the equipment:
  - Front and rear doors—If the 42U rack includes closing front and rear doors, you must allow 5,350 sq cm (830 sq in) of holes evenly distributed from top to bottom to permit adequate airflow (equivalent to the required 64 percent open area for ventilation).
  - Side—The clearance between the installed rack component and the side panels of the rack must be a minimum of 7.00 cm (2.75 in).

## Temperature requirements

To ensure continued safe and reliable equipment operation, install or position the system in a well-ventilated, climate-controlled environment.

The maximum recommended ambient operating temperature (TMRA) for most server products is 35°C (95°F). The temperature in the room where the rack is located must not exceed 35°C (95°F).



**CAUTION:** To reduce the risk of damage to the equipment when installing third-party options:

- Do not permit optional equipment to impede airflow around the server or to increase the internal rack temperature beyond the maximum allowable limits.
- Do not exceed the manufacturer's TMRA.

## Power requirements

Installation of this equipment must comply with local and regional electrical regulations governing the installation of information technology equipment by licensed electricians. This equipment is designed to operate in installations covered by NFPA 70, 1999 Edition (National

Electric Code) and NFPA-75, 1992 (code for Protection of Electronic Computer/Data Processing Equipment). For electrical power ratings on options, refer to the product rating label or the user documentation supplied with that option.



**WARNING:** To reduce the risk of personal injury, fire, or damage to the equipment, do not overload the AC supply branch circuit that provides power to the rack. Consult the electrical authority having jurisdiction over wiring and installation requirements of your facility.



**CAUTION:** Protect the server from power fluctuations and temporary interruptions with a regulating uninterruptible power supply. This device protects the hardware from damage caused by power surges and voltage spikes and keeps the system in operation during a power failure.

## Electrical grounding requirements

The server must be grounded properly for proper operation and safety. In the United States, you must install the equipment in accordance with NFPA 70, National Electric Code Article 250, as well as any local and regional building codes. In Canada, you must install the equipment in accordance with Canadian Standards Association, CSA C22.1, Canadian Electrical Code. In all other countries, you must install the equipment in accordance with any regional or national electrical wiring codes, such as the International Electrotechnical Commission (IEC) Code 364, parts 1 through 7. Furthermore, you must be sure that all power distribution devices used in the installation, such as branch wiring and receptacles, are listed or certified grounding-type devices.

Because of the high ground-leakage currents associated with multiple servers connected to the same power source, Hewlett Packard Enterprise recommends the use of a PDU that is either permanently wired to the building's branch circuit or includes a nondetachable cord that is wired to an industrial-style plug. NEMA locking-style plugs or those complying with IEC 60309 are considered suitable for this purpose. Using common power outlet strips for the server is not recommended.

## Rack warnings and cautions



**WARNING:**

When all components are removed, the server weighs 12.00 kg (26.45 lb ). When all components are installed, the server can weigh up to 29.60 kg (65.23 lb ).

Before configuring your rack solution, be sure to check the rack manufacturer weight limits and specifications. Failure to do so can result in physical injury or damage to the equipment and the facility.



**WARNING:**

The server is heavy. To reduce the risk of personal injury or damage to the equipment, do the following:

- Observe local occupational health and safety requirements and guidelines for manual material handling.
- Get help to lift and stabilize the product during installation or removal, especially when the product is not fastened to the rails. The server weighs more than 12.00 kg (26.45 lb ), so at least two people must lift the server into the rack together. An additional person may be required to help align the server if the server is installed higher than chest level.
- Use caution when installing the server in or removing the server from the rack.
- Adequately stabilize the rack before extending a component outside the rack. Extend only one component at a time. A rack may become unstable if more than one component is extended.
- Do not stack anything on top of rail-mounted component or use it as a work surface when extended from the rack.

**WARNING:**

To reduce the risk of personal injury or damage to the equipment, be sure that:

- The rack has anti-tip measures in place. Such measures include floor-bolting, anti-tip feet, ballast, or a combination as specified by the rack manufacturer and applicable codes.
- The leveling jacks (feet) are extended to the floor.
- The full weight of the rack rests on the leveling jacks (feet).
- The stabilizing feet are attached to the rack if it is a single-rack installation.
- The racks are coupled together in multiple rack installations.

**WARNING:**

To reduce the risk of personal injury or equipment damage when unloading a rack:

- At least two people are needed to safely unload the rack from the pallet. An empty 42U rack can weigh as much as 115 kg (253 lb), can stand more than 2.1 m (7 ft) tall, and might become unstable when being moved on its casters.
- Never stand in front of the rack when it is rolling down the ramp from the pallet. Always handle the rack from both sides.

**CAUTION:**

Always plan the rack installation so that the heaviest item is on the bottom of the rack. Install the heaviest item first, and continue to populate the rack from the bottom to the top.

**CAUTION:**

Before installing the server in a rack, be sure to properly scope the limitations of the rack. Before proceeding with the installation, consider the following:

- You must fully understand the static and dynamic load carrying capacity of the rack and be sure that it can accommodate the weight of the server.
- Be sure sufficient clearance exists for cabling, installation and removal of the server, and movement of the rack doors.

## Server warnings and cautions

**WARNING:**

To reduce the risk of personal injury, electric shock, or damage to the equipment, disconnect the power cord to remove power from the server. Pressing the Power On/Standby button does not shut off system power completely. Portions of the power supply and some internal circuitry remain active until AC power is removed.



**WARNING:** To reduce the risk of personal injury from hot surfaces, allow the drives and the internal system components to cool before touching them.

**WARNING:**

To reduce the risk of fire or burns after removing the energy pack:

- Do not disassemble, crush, or puncture the energy pack.
- Do not short external contacts.
- Do not dispose of the energy pack in fire or water.
- Do not expose the energy pack to low air pressure as it might lead to explosion or leakage of flammable liquid or gas.
- Do not expose the energy pack to temperatures higher than 60°C (140°F).

After power is disconnected, battery voltage might still be present for 1s to 160s.

**CAUTION:**

Protect the server from power fluctuations and temporary interruptions with a regulating UPS. This device protects the hardware from damage caused by power surges and voltage spikes and keeps the server in operation during a power failure.

**CAUTION:**

To prevent damage to electrical components, properly ground the server before beginning any installation, removal, or replacement procedure. Improper grounding can cause [electrostatic discharge](#).

**CAUTION:**

To avoid data loss, Hewlett Packard Enterprise recommends that you [back up all server data](#) before installing or removing a hardware option, or performing a server maintenance or troubleshooting procedure.



**CAUTION:** Do not operate the server for long periods with the access panel open or removed. Operating the server in this manner results in improper airflow and improper cooling that can lead to thermal damage.

## Electrostatic discharge

Be aware of the precautions you must follow when setting up the system or handling components. A discharge of static electricity from a finger or other conductor may damage system boards or other static-sensitive devices. This type of damage may reduce the life expectancy of the system or component.

To prevent electrostatic damage:

- Avoid hand contact by transporting and storing products in static-safe containers.
- Keep electrostatic-sensitive parts in their containers until they arrive at static-free workstations.
- Place parts on a grounded surface before removing them from their containers.
- Avoid touching pins, leads, or circuitry.
- Always be properly grounded when touching a static-sensitive component or assembly. Use one or more of the following methods when handling or installing electrostatic-sensitive parts:
  - Use a wrist strap connected by a ground cord to a grounded workstation or computer chassis. Wrist straps are flexible straps with a minimum of 1 megohm  $\pm$ 10 percent resistance in the ground cords. To provide proper ground, wear the strap snug against the skin.
  - Use heel straps, toe straps, or boot straps at standing workstations. Wear the straps on both feet when standing on conductive



floors or dissipating floor mats.

- Use conductive field service tools.
- Use a portable field service kit with a folding static-dissipating work mat.

If you do not have any of the suggested equipment for proper grounding, have an authorized reseller install the part.

For more information on static electricity or assistance with product installation, contact an authorized reseller.

## Operations

This chapter describes the hardware operations carried out prior to and after installing or removing a hardware component, or performing a server maintenance or troubleshooting procedure. Before performing these hardware operations, review the:

- [Rack warnings and cautions](#)
- [Server warnings and cautions](#)

### Subtopics

[Power up the server](#)

[Power down the server](#)

[Open the cable management arm](#)

[Extend the server out of the rack](#)

[Remove the server from the rack](#)

[Remove the front bezel](#)

[Remove the access panel](#)

[Remove the M.2 air baffle](#)

[Remove the middle cover](#)

[Remove the fan](#)

[Remove the fan wall](#)

[Remove the riser cage](#)

[Install the access panel](#)

[Install the M.2 air baffle](#)

[Install the middle cover](#)

[Install the fan wall](#)

[Install the riser cage](#)

[Install the server into the rack](#)

## Power up the server

### Procedure

- Press the Power On/Standby button.
- Use the virtual power button through iLO 6.

## Power down the server

Before powering down the server for any upgrade or maintenance procedures, [perform a backup of critical server data and programs](#).





**IMPORTANT:**

When the server is in standby mode, auxiliary power is still being provided to the system.

To power down the server, use one of the following methods:

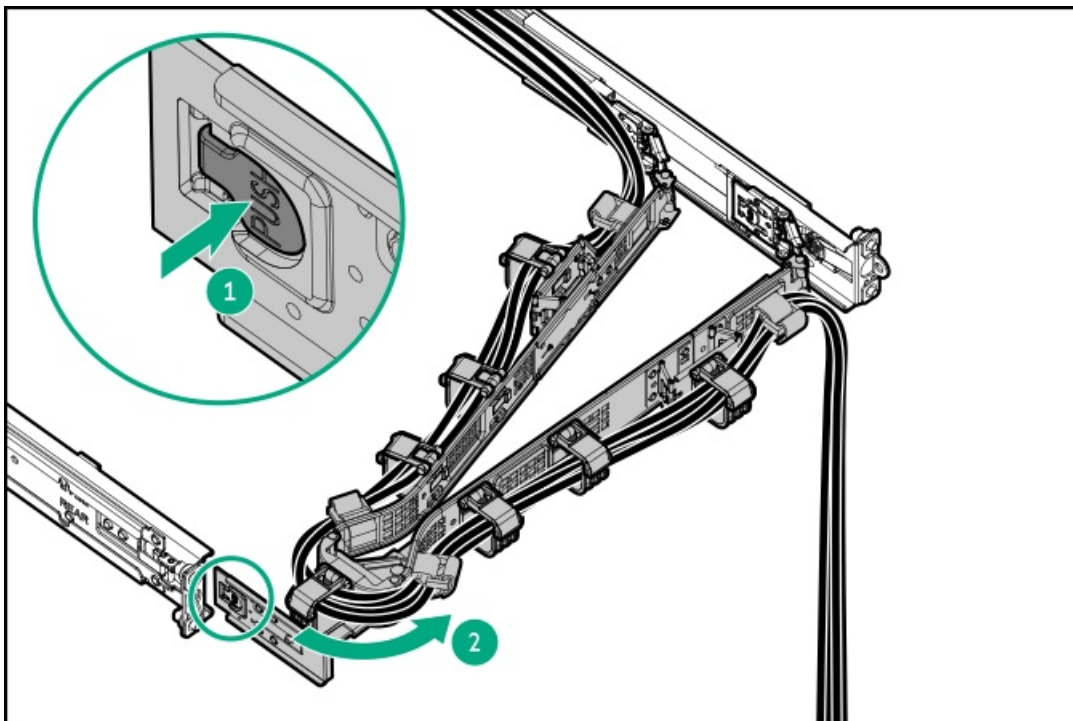
- Press and release the Power On/Standby button.  
This method activates a controlled shutdown of applications and the OS before the server enters standby mode. It can also activate a shutdown behavior governed by an OS configuration or policy.
- Press and hold the Power On/Standby button for more than 4 seconds to force the server to enter standby mode.  
This method forces the server to enter standby mode without properly exiting applications and the OS. If an application stops responding, you can use this method to force a shutdown.
- Use a virtual power button selection through iLO 6.  
This method initiates a controlled remote shutdown of applications and the OS before the server enters standby mode.

Before proceeding, verify that the server is in standby mode by observing that the system power LED is amber.

## Open the cable management arm

### Procedure

1. Press and hold the blue **PUSH** button on the retention bracket.
2. Swing the arm away from the rear panel.



## Extend the server out of the rack

### Prerequisites



- Before you perform this procedure, review the [Rack warnings and cautions](#).
- T-25 Torx screwdriver—This tool is required if the shipping screws located inside the chassis ears are secured.

## About this task

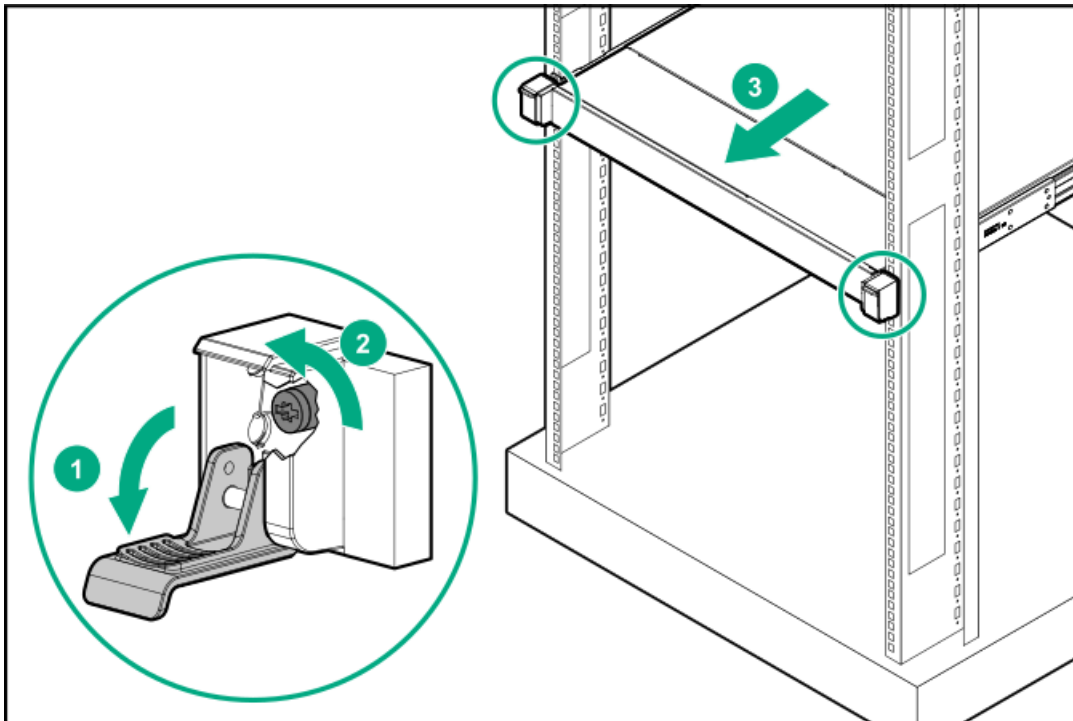


### WARNING:

To reduce the risk of personal injury, be careful when pressing the server rail-release latches. The inner rails could pinch your fingers.

## Procedure

1. If needed, loosen the shipping screws, and then use the chassis ear latches to slide the server out of the rack until the rail-release latches are engaged.

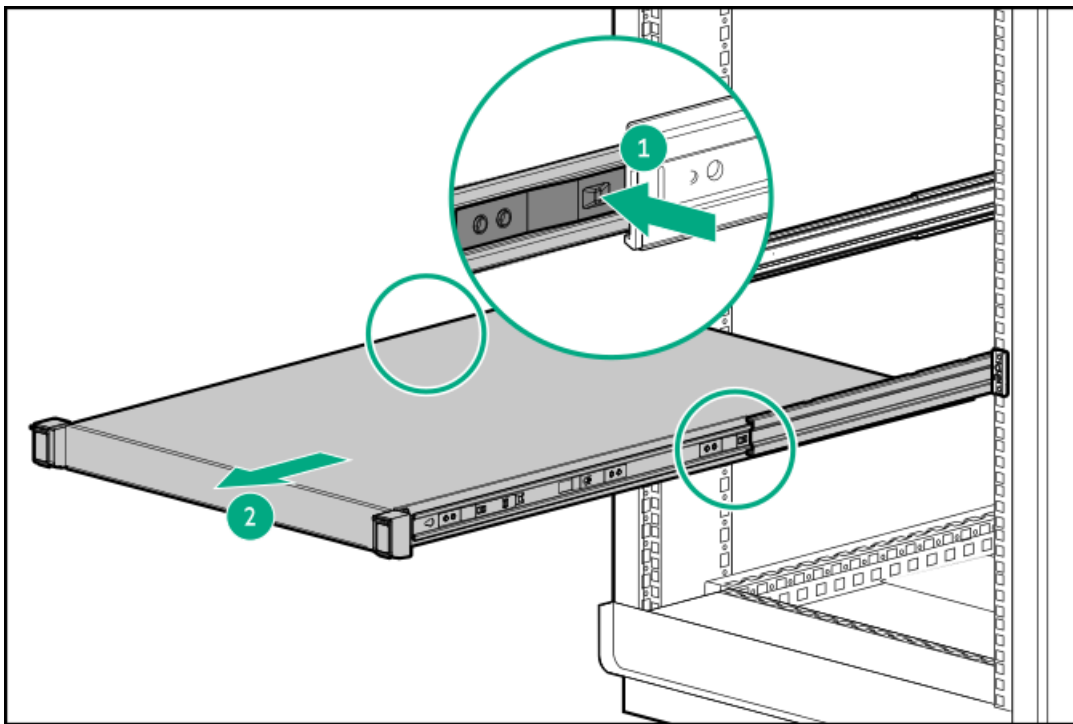


2. Press and hold the rear-end rail-release latches, and then slide the server out of the rack until it is fully extended.



### WARNING:

To reduce the risk of personal injury, be careful when pressing the server rail-release latches. The inner rails could pinch your fingers.



## Remove the server from the rack

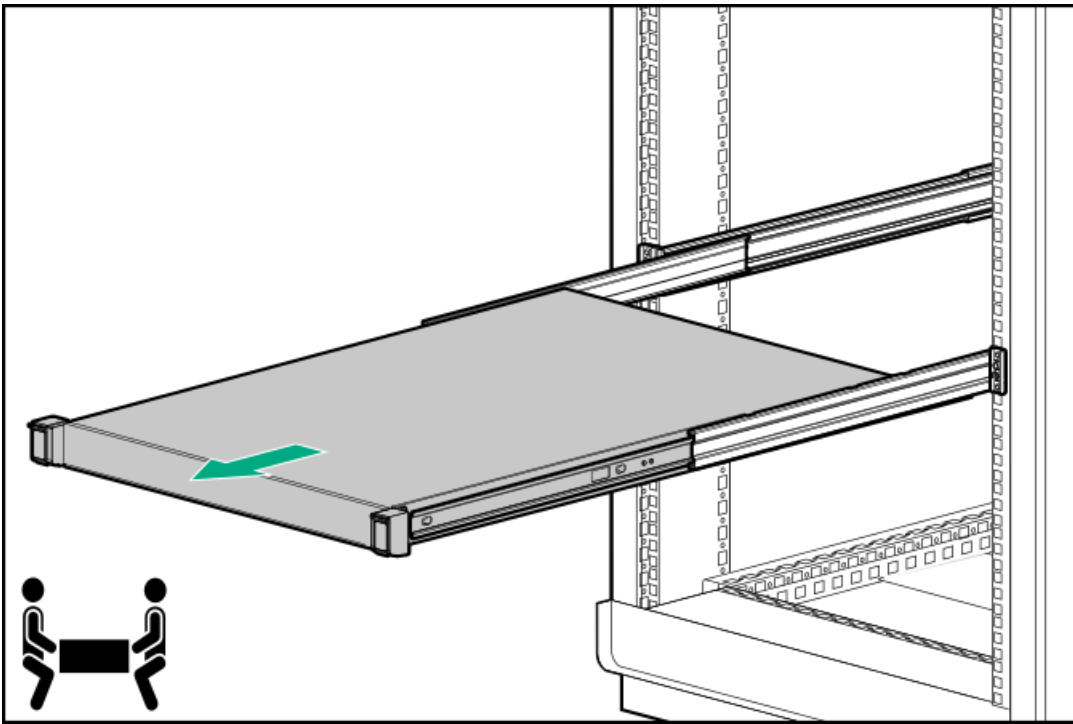
### Prerequisites

- Get help to lift and stabilize the server during removal from the rack. **If the server is installed higher than chest level, an additional two people might be required to help remove the server:** One person to support the server weight, and the other two to slide the server out of the rack.
- Before you perform this procedure, review the:
  - [Rack warnings and cautions](#)
  - [Server warnings and cautions](#)
- A fully populated server is heavy. Hewlett Packard Enterprise recommends removing the external chassis components before removing the server from the rack.

### Procedure

1. [Power down the server.](#)
2. If installed, [open the cable management arm.](#)
3. Remove all power:
  - a. Disconnect each power cord from the power source.
  - b. Disconnect each power cord from the server.
4. Disconnect all peripheral cables from the server.
5. [Fully extend the server out of the rack.](#)
6. Slide the server completely out of the rack.





7. Place the server on a flat, level work surface.

## Remove the front bezel

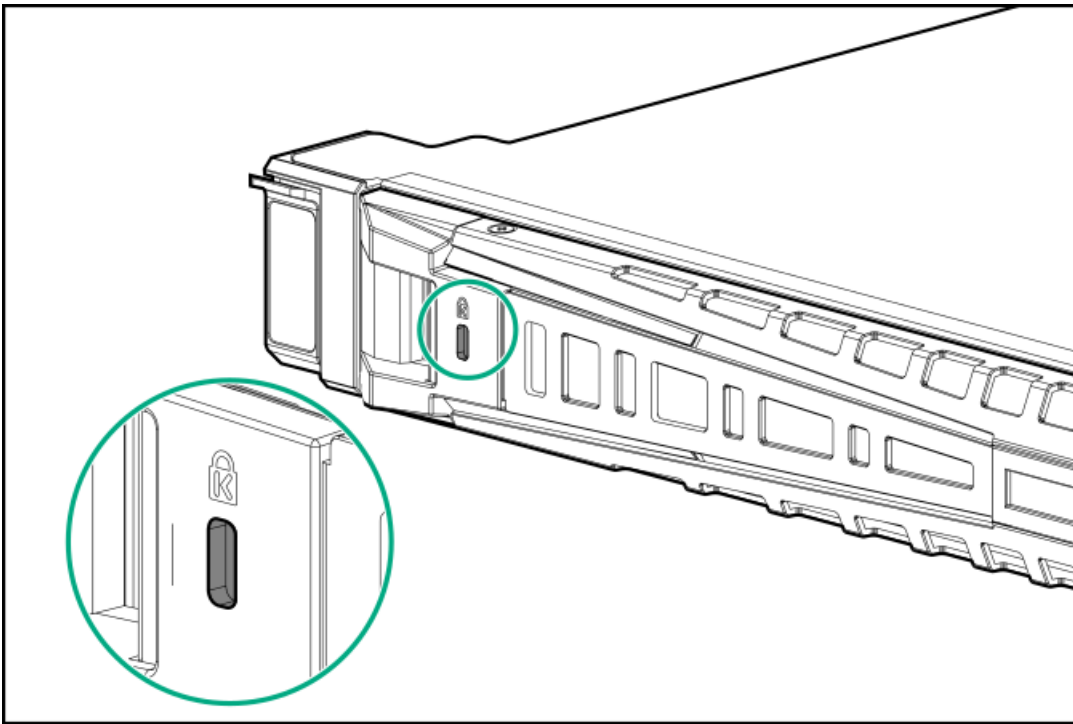
### About this task

If you are using the virtual power button in iLO to power the server on/off, you do not need to remove the front bezel. Remove the front bezel only if you need to access the front panel components.

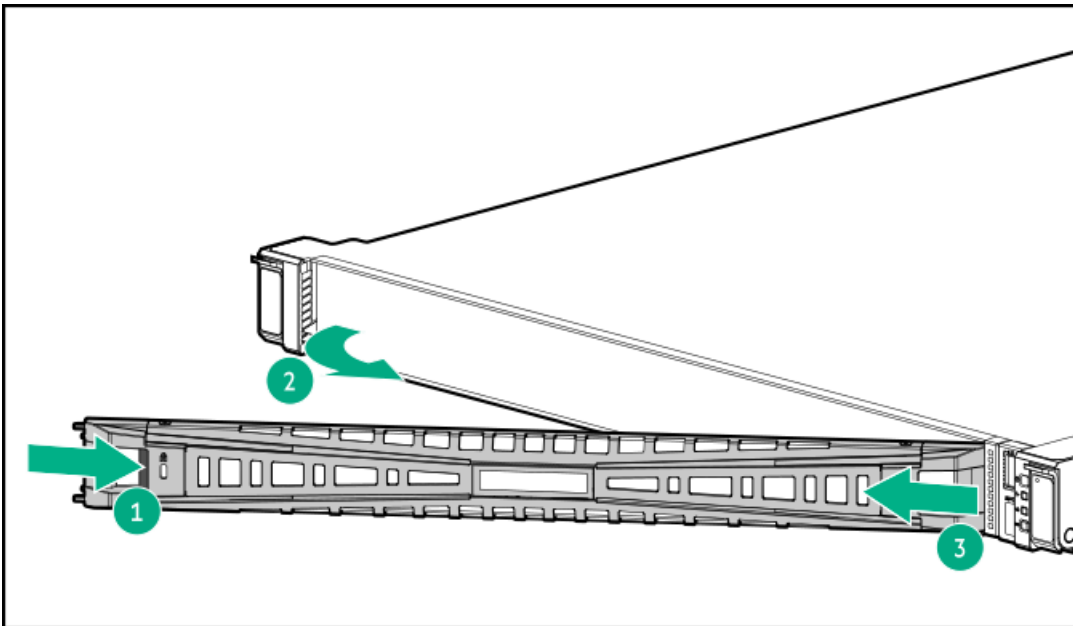
### Procedure

1. If installed, remove the Kensington security lock.

For more information, see the lock documentation.



2. Press the bezel release latch, and then pivot the bezel open.
3. Release the right side of the bezel from the front panel.



## Remove the access panel

### Prerequisites

Before you perform this procedure, make sure that you have a T-15 Torx screwdriver available.

### About this task



**WARNING:** To reduce the risk of personal injury from hot surfaces, allow the drives and the internal system components to cool before touching them.

**CAUTION:**

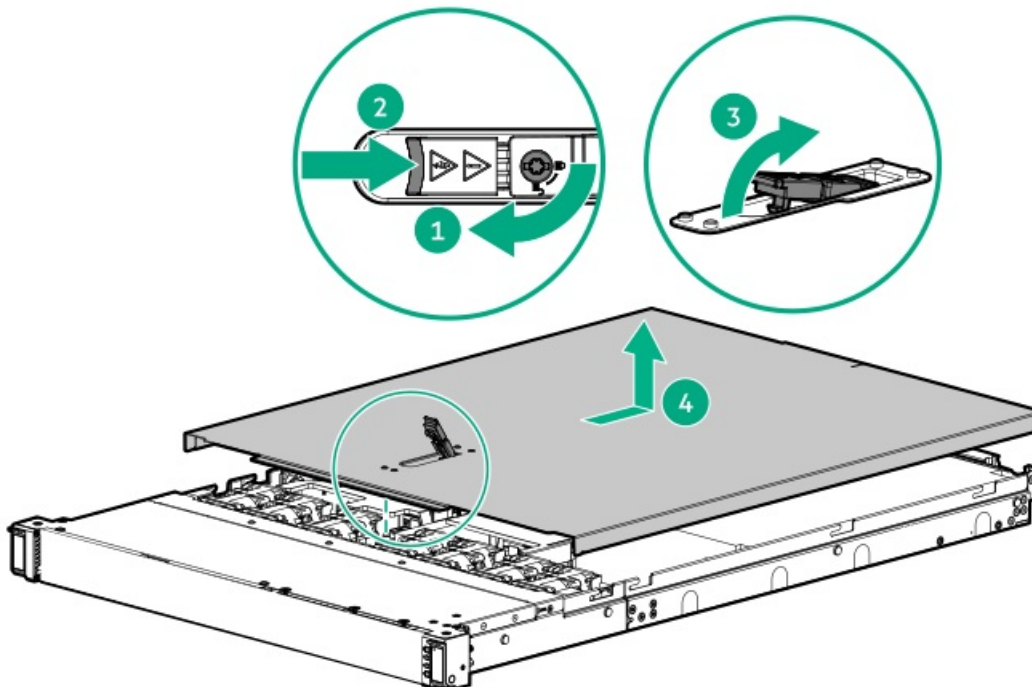
To prevent damage to electrical components, properly ground the server before beginning any installation, removal, or replacement procedure. Improper grounding can cause electrostatic discharge.

**CAUTION:**

Do not operate the server for long periods with the access panel open or removed. Operating the server in this manner results in improper airflow and improper cooling that can lead to thermal damage.

## Procedure

1. Power down the server.
2. Remove all power:
  - a. Disconnect each power cord from the power source.
  - b. Disconnect each power cord from the server.
3. Disconnect all peripheral cables from the server.
4. Do one of the following:
  - a. Extend the server from the rack.
  - b. Remove the server from the rack.
5. Remove the access panel:
  - a. If necessary, unlock the access panel latch.
  - b. To disengage the access panel from the chassis, press the release button and pull up the latch.
  - c. Lift the access panel.

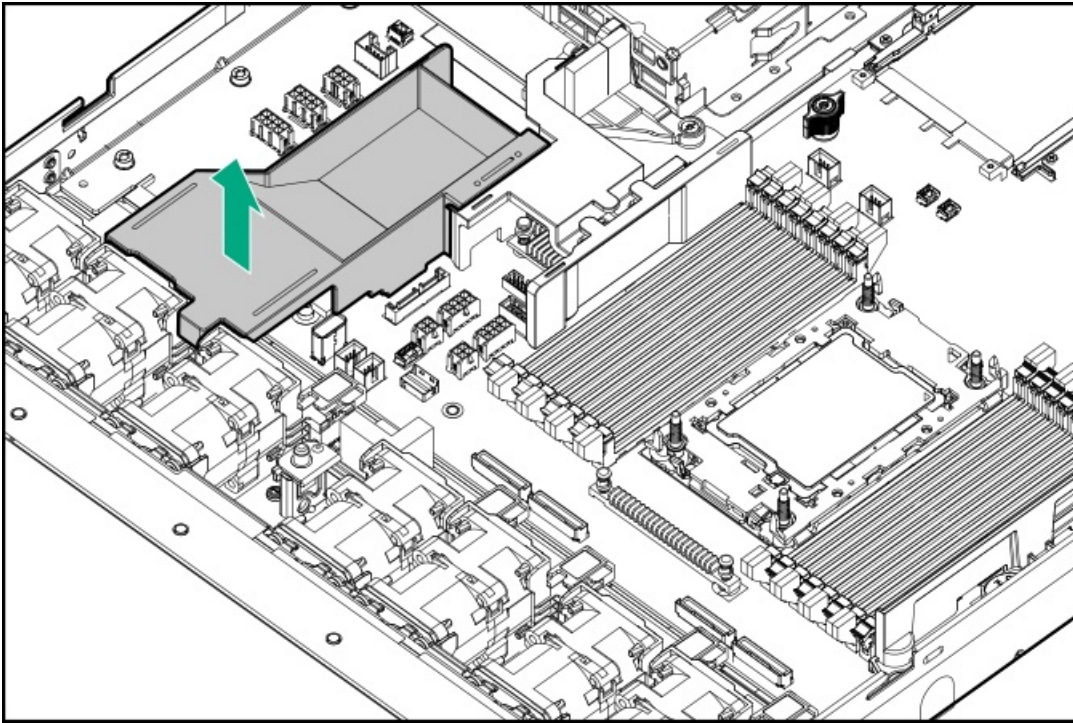


## Remove the M.2 air baffle



## Procedure

1. Power down the server.
2. If installed, open the cable management arm.
3. Remove all power:
  - a. Disconnect each power cord from the power source.
  - b. Disconnect each power cord from the server.
4. Disconnect all peripheral cables from the server.
5. Do one of the following:
  - a. Extend the server from the rack.
  - b. Remove the server from the rack.
6. Remove the access panel.
7. Remove the M.2 air baffle.



## Remove the middle cover

### Prerequisites

Before you perform this procedure, make sure that you have a T-10 Torx screwdriver available.

This tool is required to remove the middle cover from servers with a GPU riser cage.

### About this task



**CAUTION:** For proper cooling, do not operate the server without the access panel, baffles, expansion slot covers, or blanks installed.

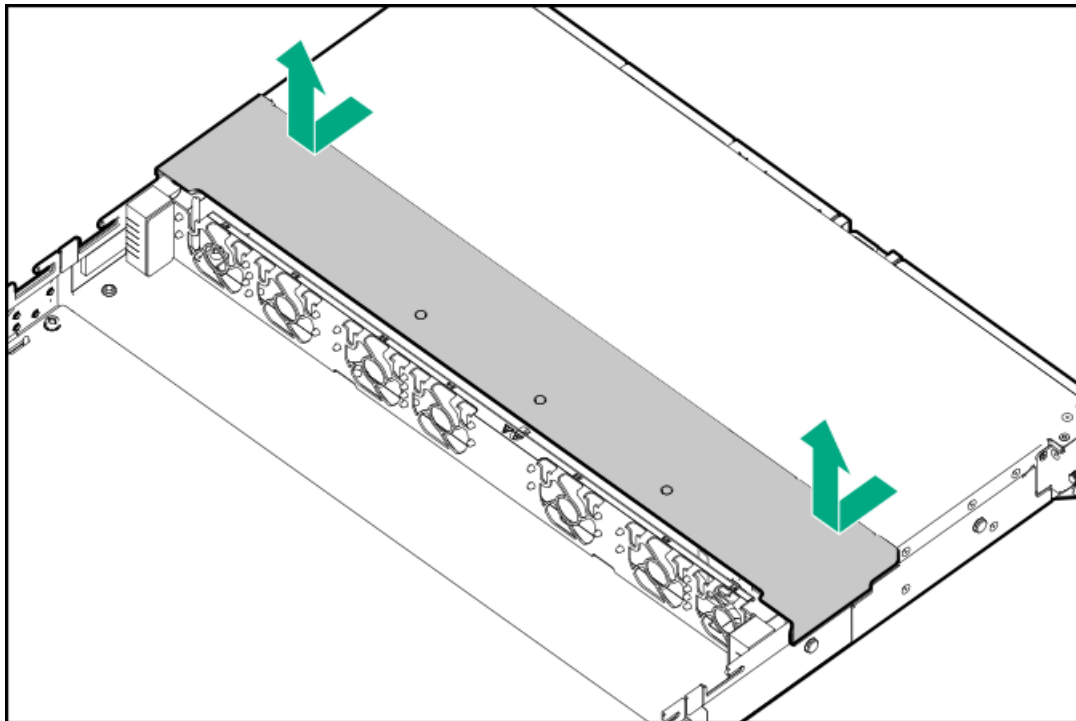


**CAUTION:**

To prevent damage to electrical components, properly ground the server before beginning any installation, removal, or replacement procedure. Improper grounding can cause electrostatic discharge.

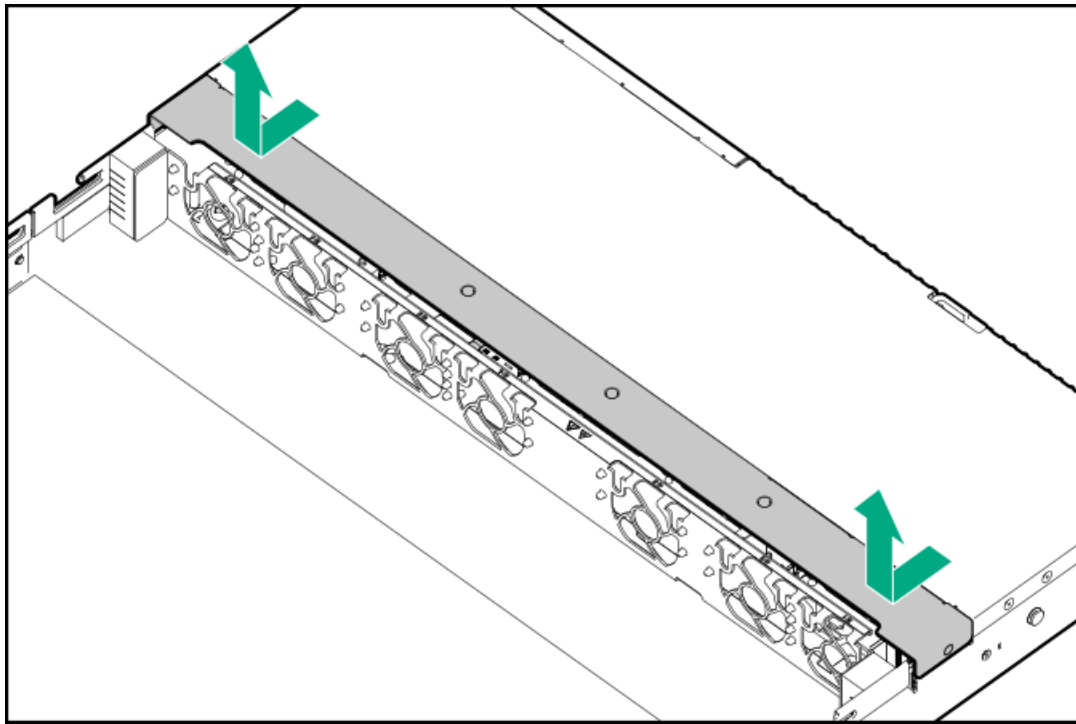
**Procedure**

1. Power down the server.
2. If installed, open the cable management arm.
3. Remove all power:
  - a. Disconnect each power cord from the power source.
  - b. Disconnect each power cord from the server.
4. Disconnect all peripheral cables from the server.
5. Do one of the following:
  - a. Extend the server from the rack.
  - b. Remove the server from the rack.
6. Remove the access panel.
7. To remove the middle cover from the LFF and the SFF drive configuration, take both sides of the middle cover and detach from the server.
  - LFF drive configuration

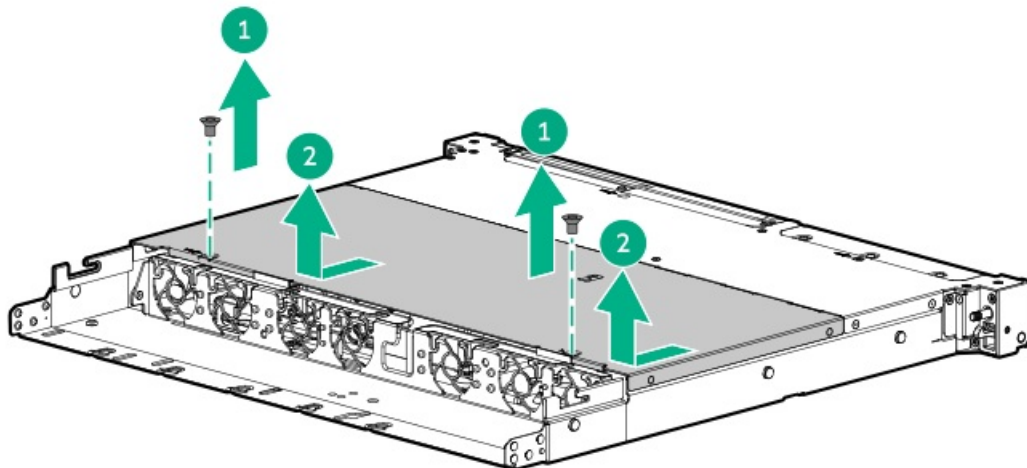


- SFF drive configuration





8. To remove the middle cover from a server with a GPU riser cage:
  - a. Remove the screws.
  - b. Take both sides of the middle cover and detach from the server.



## Remove the fan

### About this task



**CAUTION:** To prevent improper cooling and thermal damage, do not operate the server unless all bays are populated with either a component or a blank.



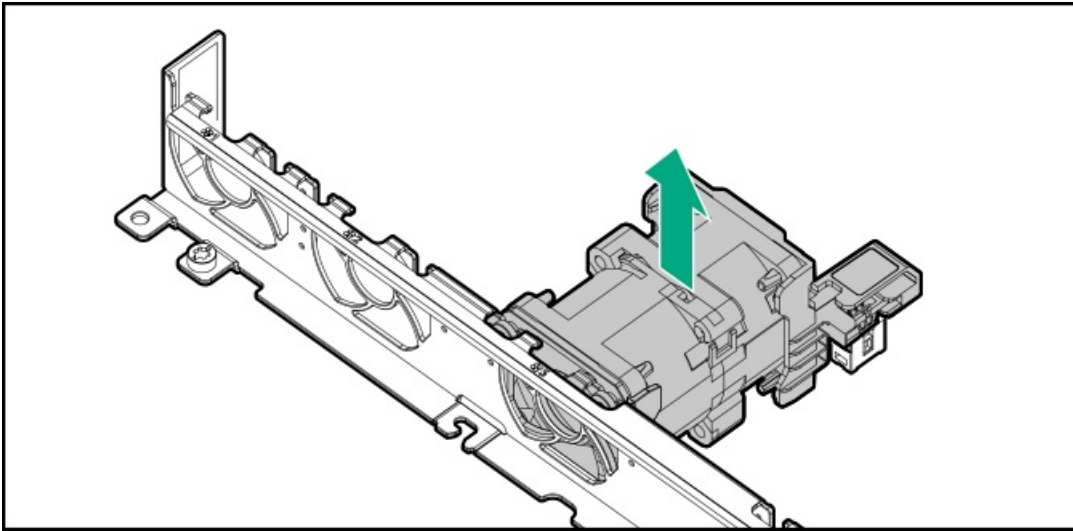
**IMPORTANT:**

The fan setup can either be standard, single-rotor fans or high performance, dual-rotor fans. Do not mix fan types in the same server.



## Procedure

1. Power down the server.
2. If installed, open the cable management arm.
3. Remove all power:
  - a. Disconnect each power cord from the power source.
  - b. Disconnect each power cord from the server.
4. Disconnect all peripheral cables from the server.
5. Do one of the following:
  - a. Extend the server from the rack.
  - b. Remove the server from the rack.
6. Remove the access panel.
7. Remove the fan.



## Remove the fan wall

### Prerequisites

Before you perform this procedure, make sure that you have the following items available:

- T-15 Torx screwdriver
- T-10 Torx screwdriver—This tool is required to remove the fan wall from the 12 LFF or the 4 SFF or 8 E3.S drive configuration.

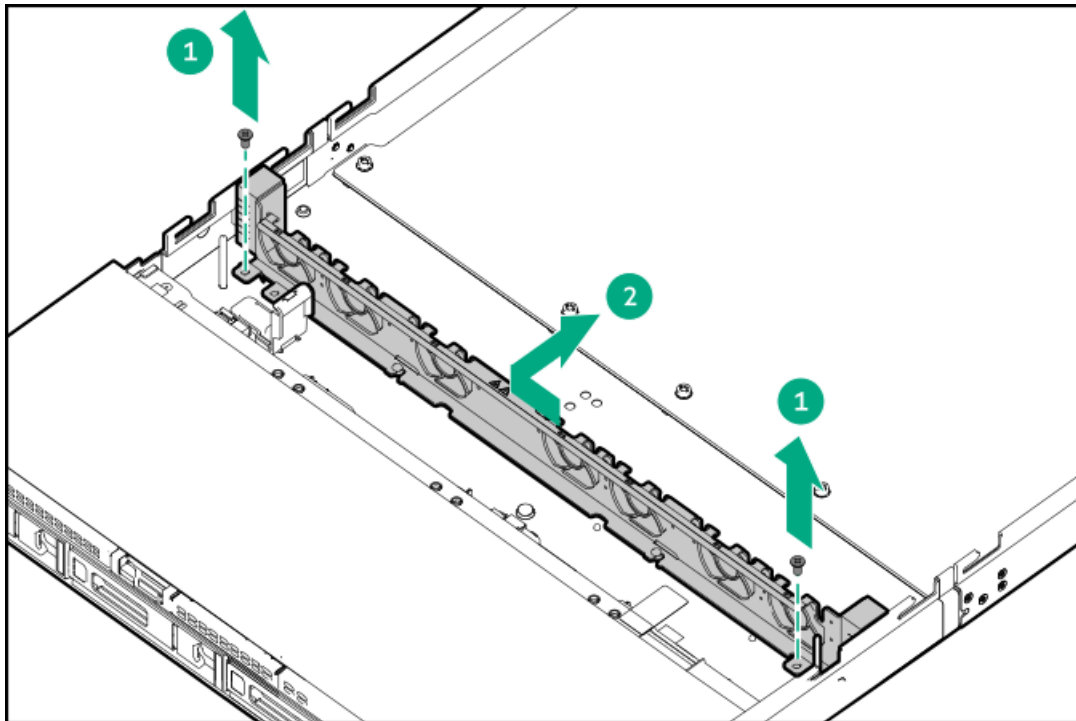
### Procedure

1. Power down the server.
2. If installed, open the cable management arm.
3. Remove all power:
  - a. Disconnect each power cord from the power source.
  - b. Disconnect each power cord from the server.

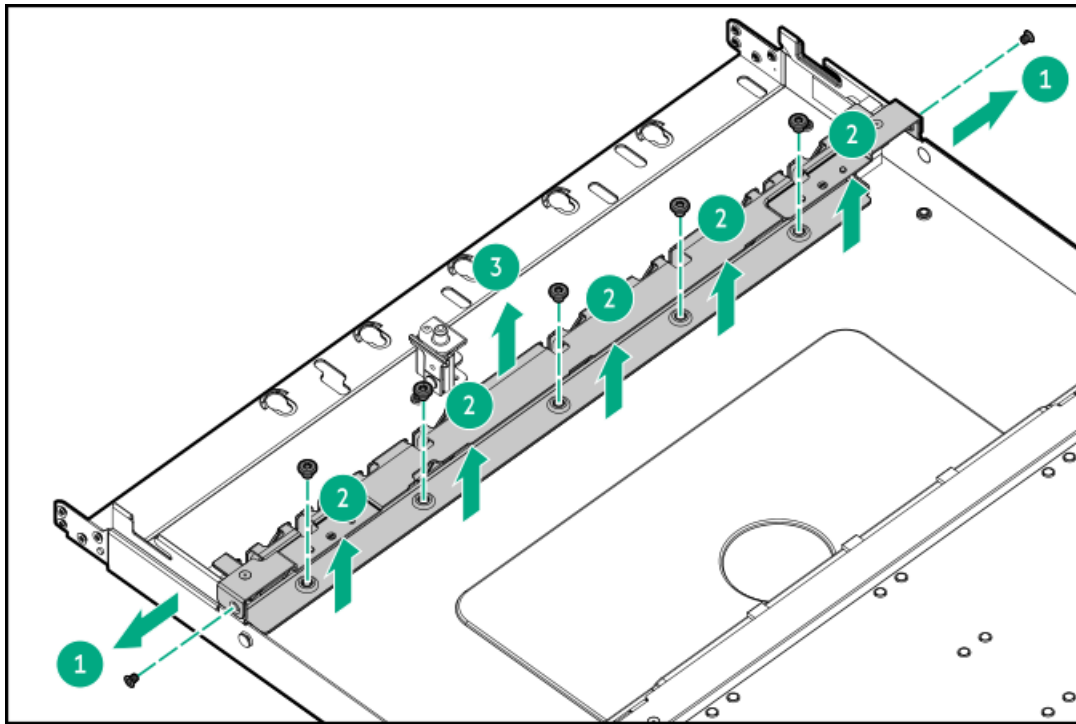
4. Disconnect all peripheral cables from the server.
5. Remove the server from the rack.
6. Remove the access panel.
7. Remove the middle cover.
8. Remove the fans.
9. Remove the fan wall.

Retain the screws and fan wall. These screws will be used to secure the fan wall after replacing or installing the internal component.

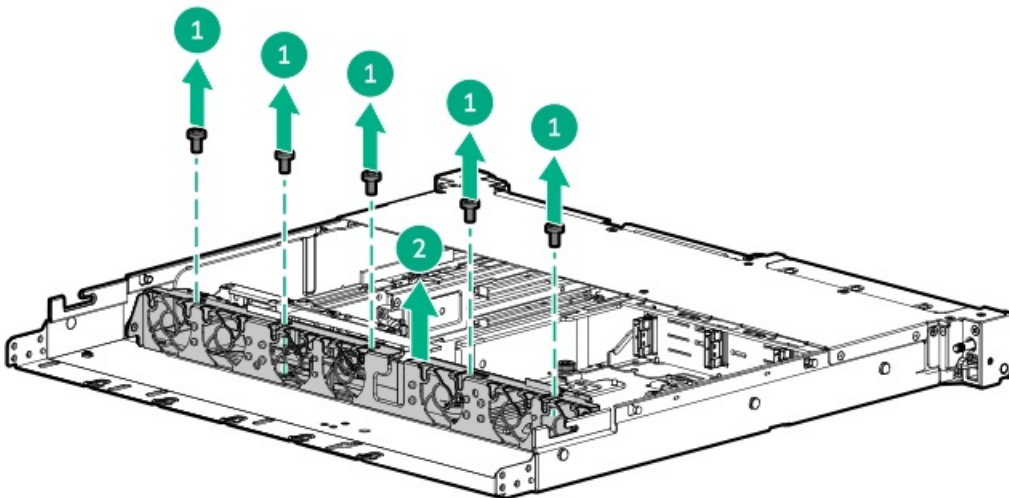
- SFF or 4 LFF drive configuration:



- 12 LFF drive configuration:



- 4 SFF or 8 E3.S drive configuration:



## Remove the riser cage

### Prerequisites

A T-10 Torx screwdriver is required to remove a GPU riser cage.

### About this task



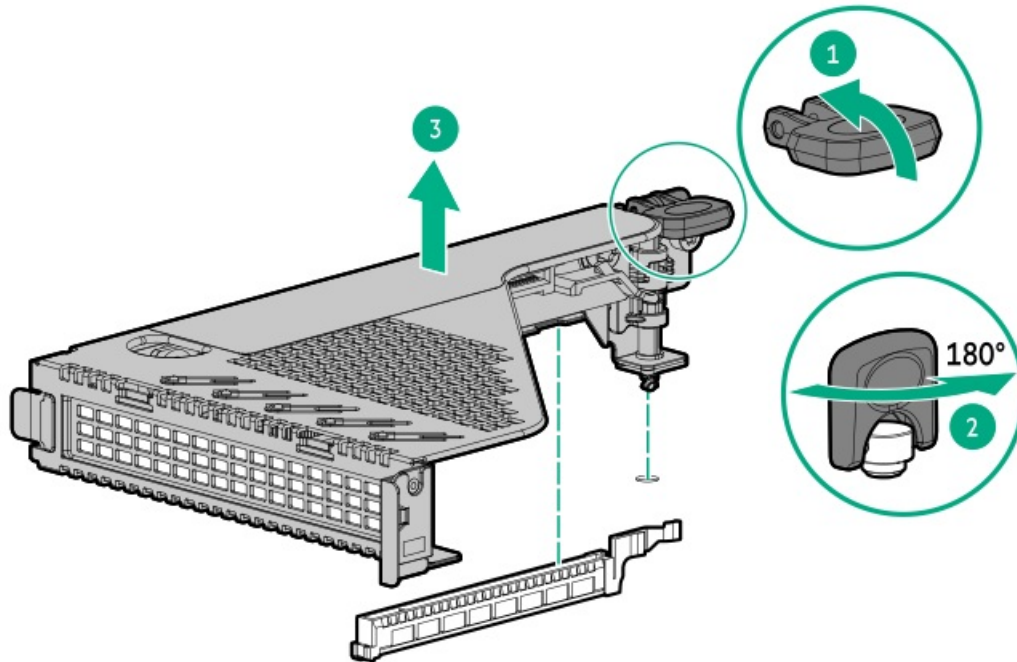
**WARNING:** To reduce the risk of personal injury from hot surfaces, allow the drives and the internal system components to cool before touching them.

### Procedure

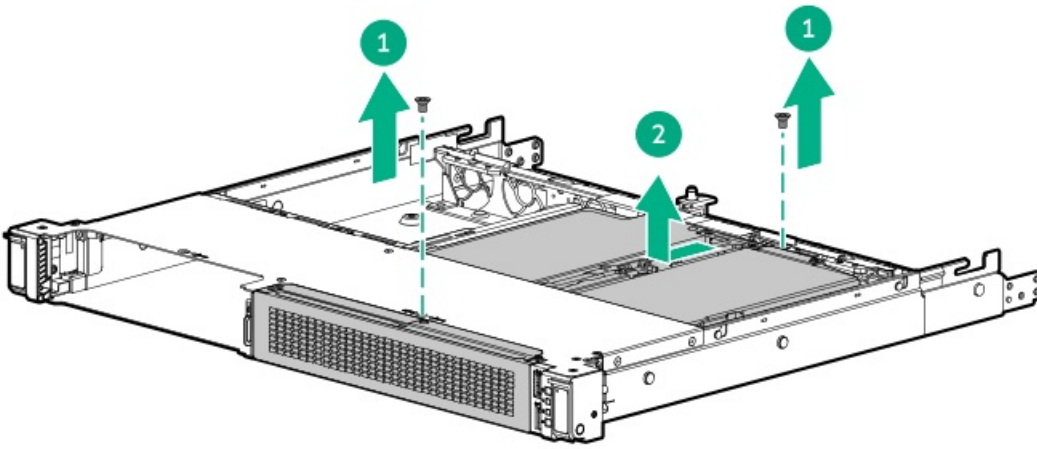
1. Power down the server.



2. If installed, open the cable management arm.
3. Remove all power:
  - a. Disconnect each power cord from the power source.
  - b. Disconnect each power cord from the server.
4. Disconnect all peripheral cables from the server.
5. Remove the server from the rack.
6. Place the server on a flat, level work surface.
7. Remove the access panel.
8. If an expansion card with internal cables is installed on the riser, disconnect the cables from the card.
9. If the storage controller backup cable is connected, disconnect the cable .
10. To remove the rear riser cage:
  - a. Release the half-turn spring latch.
  - b. Lift the riser cage off the system board.



11. To remove the GPU riser cage, do the following:
  - a. Remove the two screws.
  - b. Push the cage forward and slide it out.



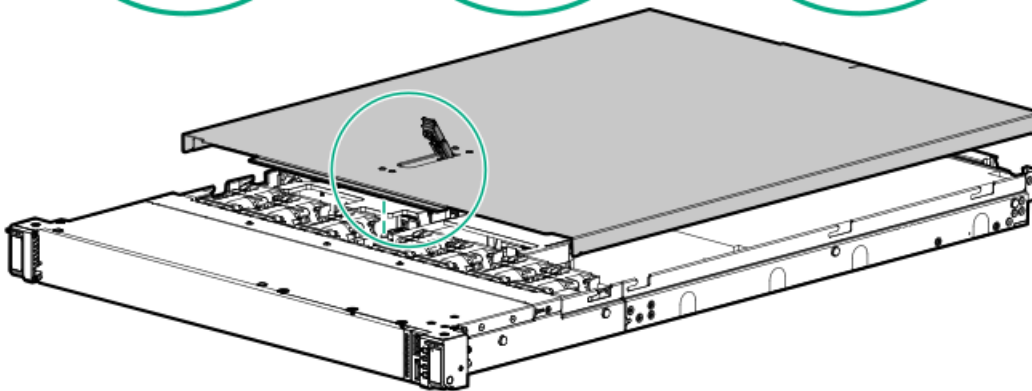
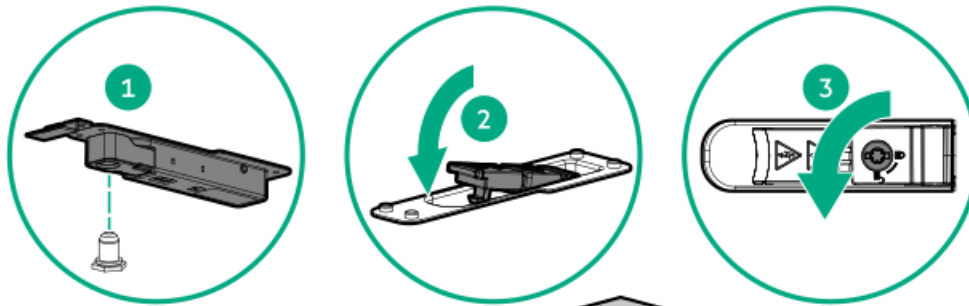
## Install the access panel

### Prerequisites

Before you perform this procedure, make sure that you have a T-15 Torx screwdriver available.

### Procedure

1. With the access panel latch open, insert the guide pin on the chassis through the hole on the bottom side of the latch.
2. Close the access panel latch.  
The access panel slides to the closed position.
3. Lock the access panel latch.



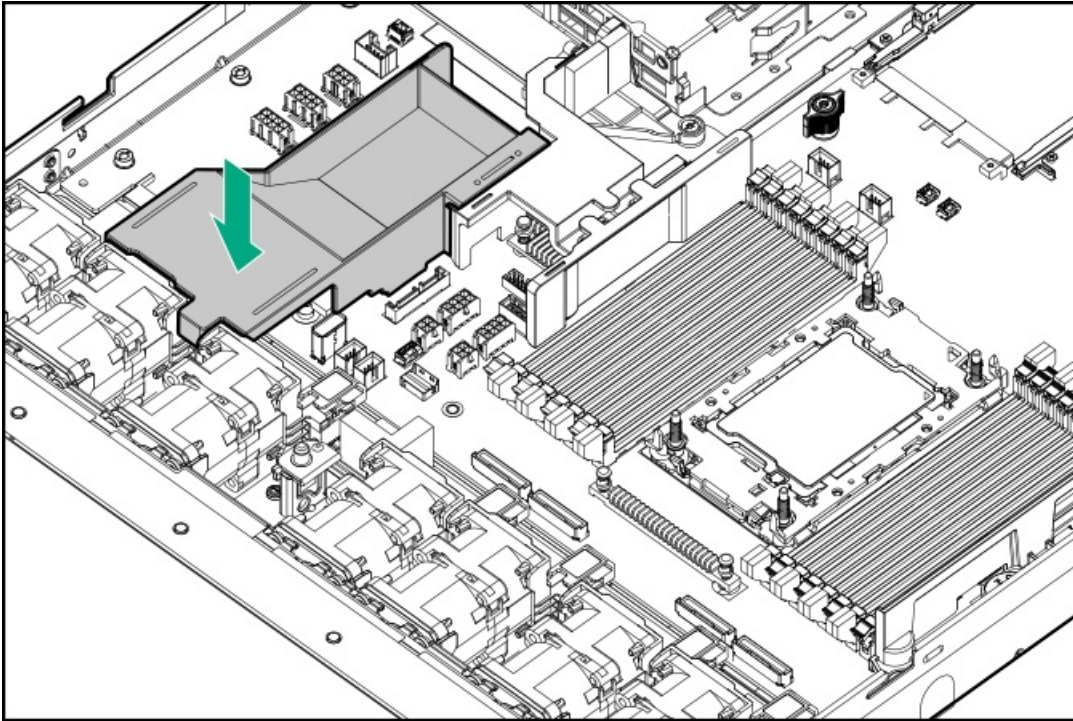
4. Perform the post-installation or maintenance steps required by the procedure that necessitates the removal of the access panel.



## Install the M.2 air baffle

### Procedure

Install the M.2 air baffle.



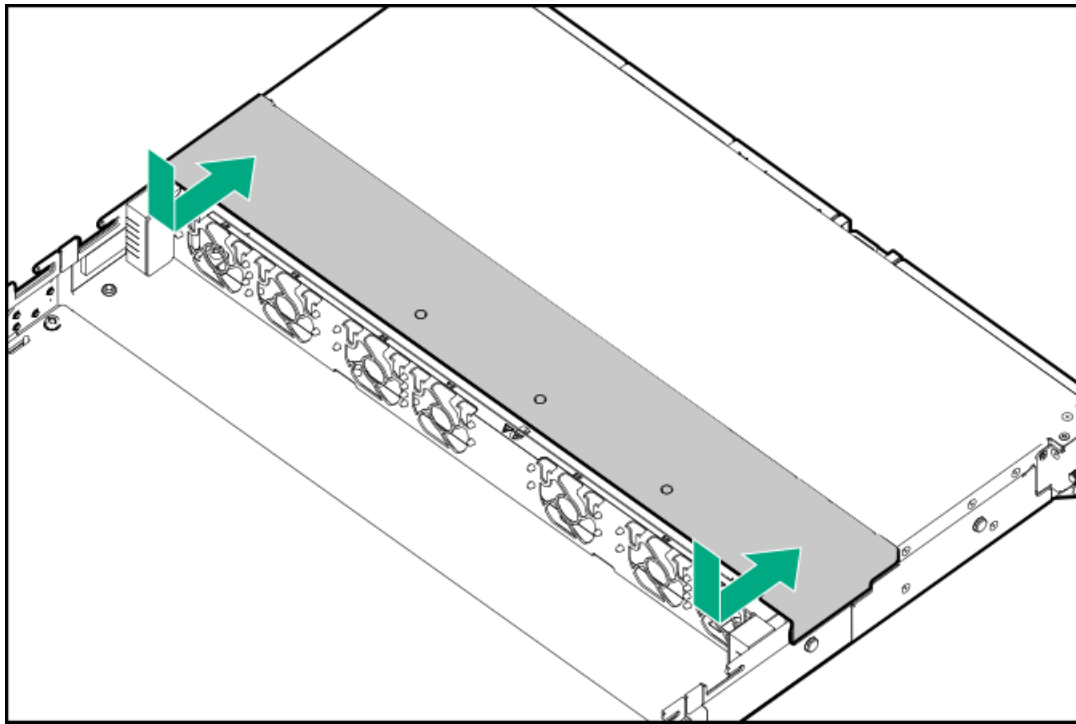
## Install the middle cover

### Prerequisites

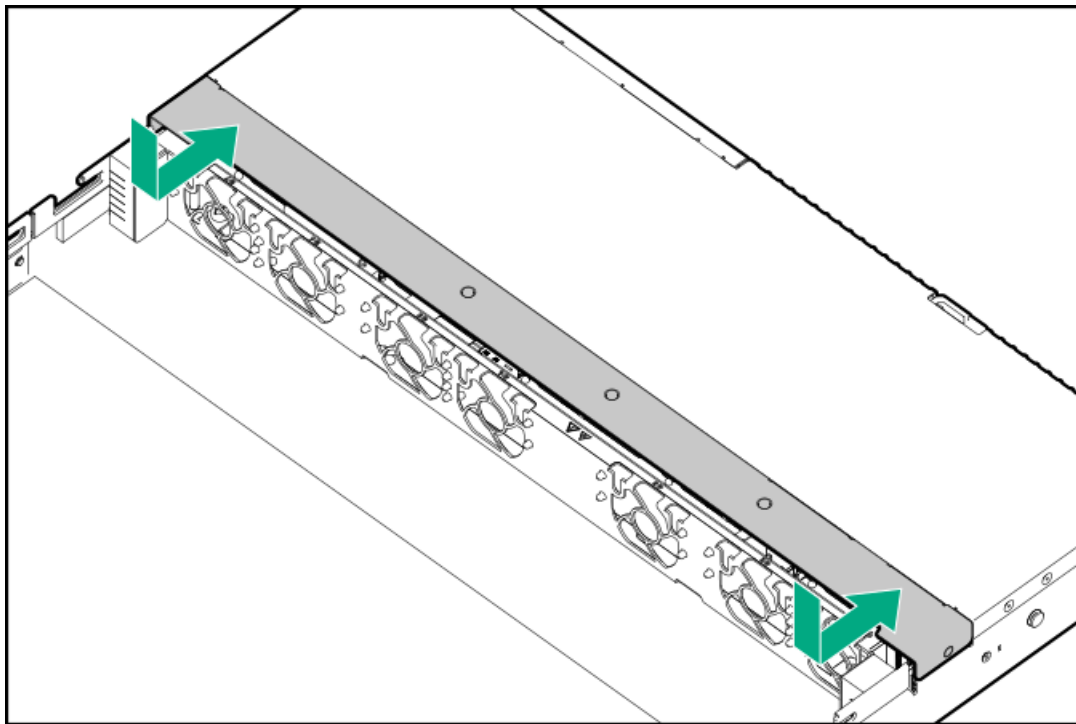
A T-10 Torx screwdriver is required to install the middle cover on a server with a GPU riser cage.

### Procedure

1. To install the middle cover on the LFF and SFF drive configuration, take both sides of the middle cover and install on the server.
  - LFF drive configuration



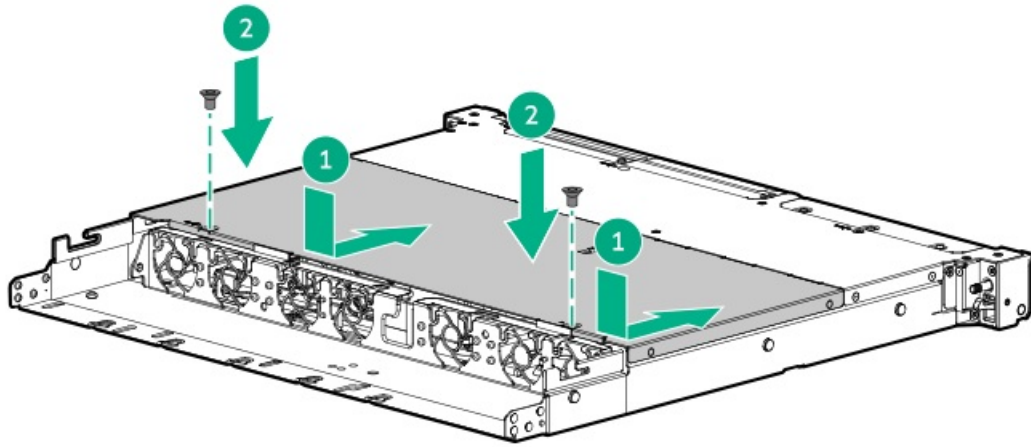
- SFF drive configuration



2. To install the middle cover on a server with a GPU riser cage:
  - a. Take both sides of the middle cover and attach on the server.
  - b. Install the screws.







## Install the fan wall

### Prerequisites

Before you perform this procedure, make sure that you have the following items available:

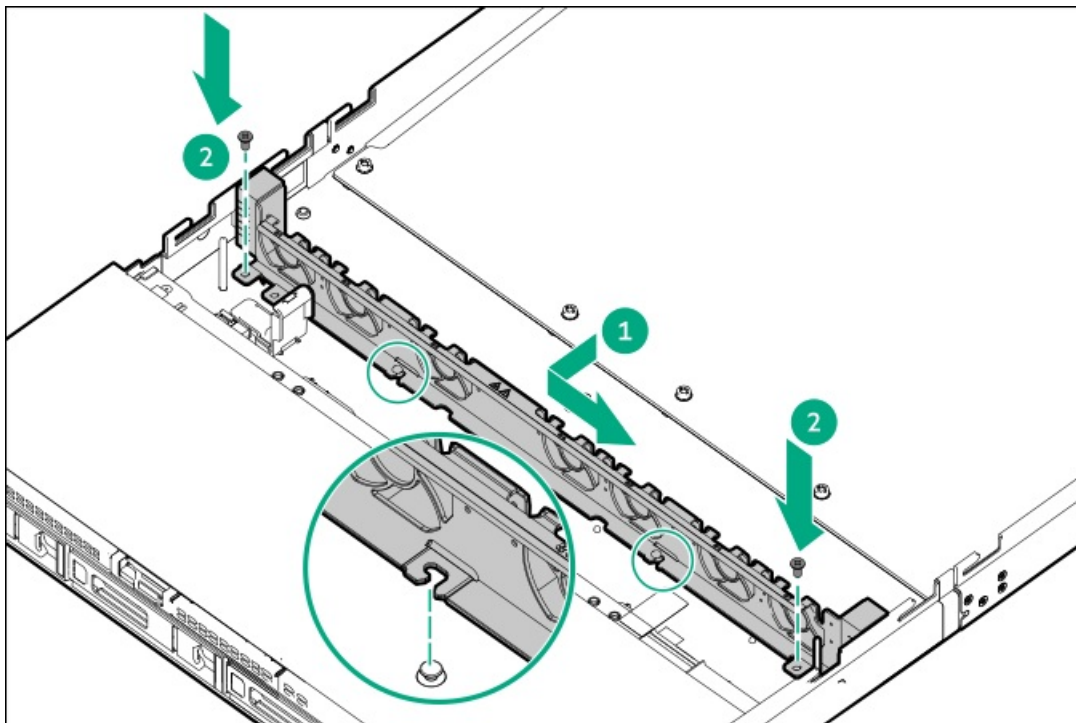
- T-15 Torx screwdriver
- T-10 Torx screwdriver—This tool is required if you plan to install the fan wall in the 10 or 12 LFF drive configuration or the 4 SFF or 8 E3.S drive configuration.

### Procedure

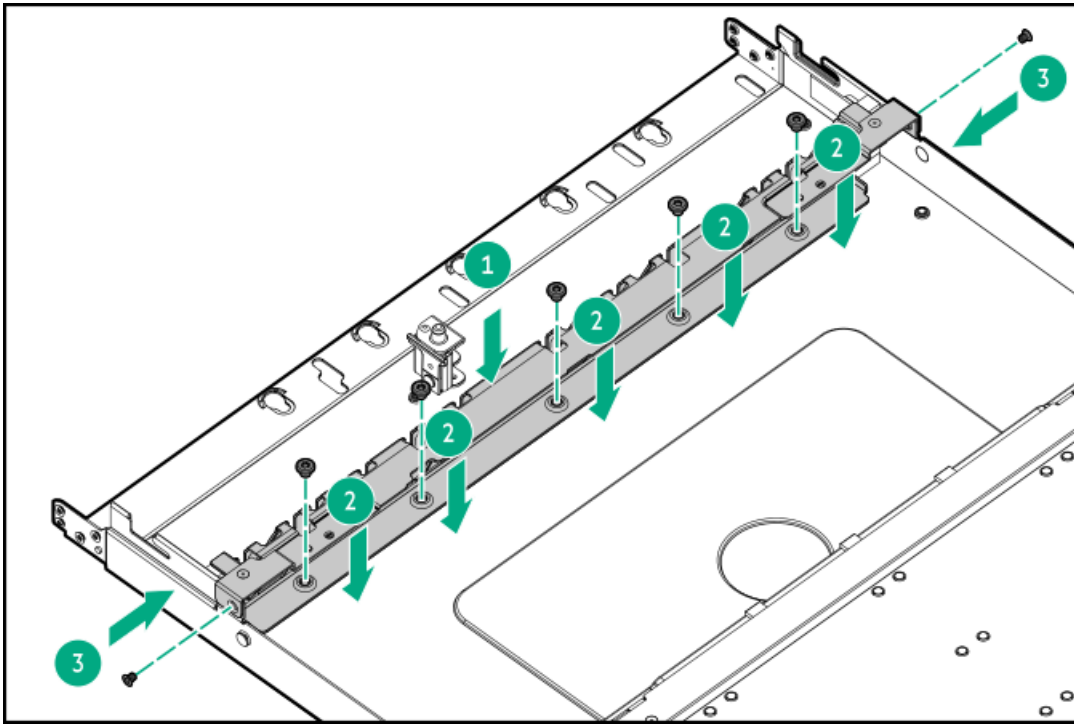
Install the fan wall.

Retain the screws and fan wall. These screws will be used to secure the fan wall after replacing or installing the internal component.

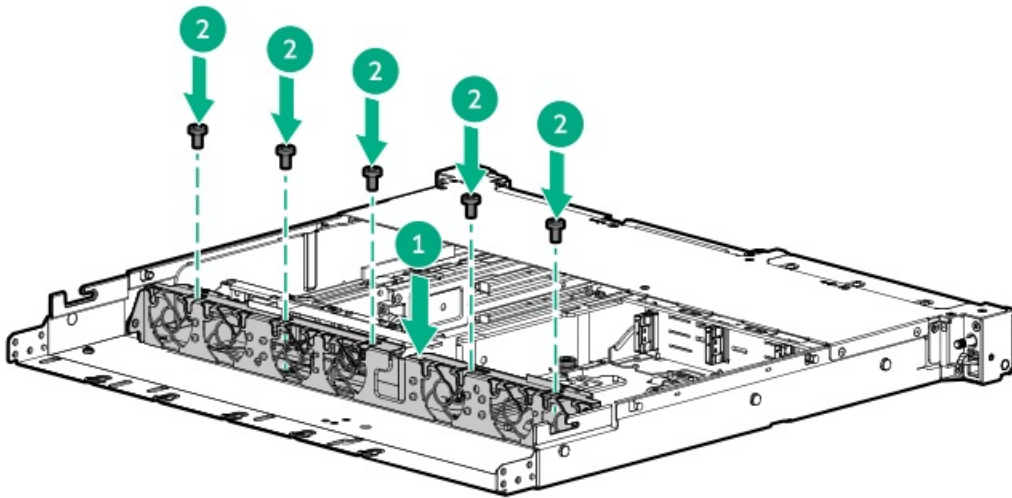
- SFF or 4 LFF drive configuration:



- 12 LFF drive configuration:



- 4 SFF or 8 E3.S drive configuration:



## Install the riser cage

### Prerequisites

A T-10 Torx screwdriver is required to install the GPU riser cage.

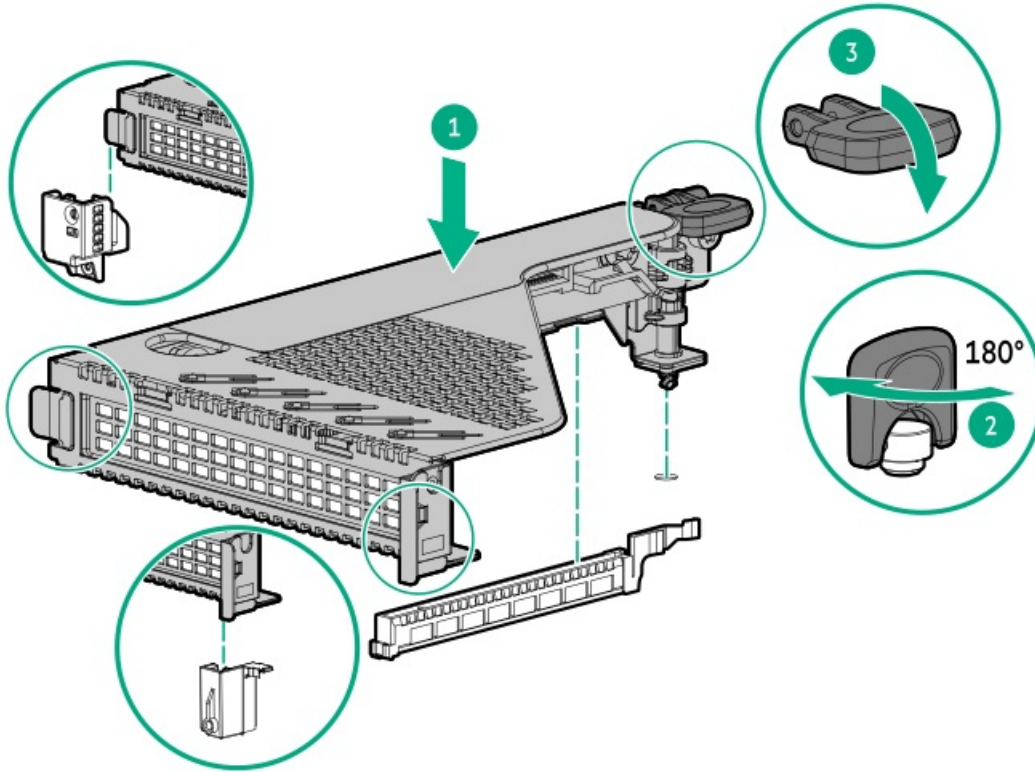
### Procedure

1. If an expansion card or its internal cabling was removed, reinstall these components.
2. If a storage controller is installed, connect the storage controller backup cable.
3. To install the rear riser cage, do the following:
  - a. Carefully press the riser down on its system board connector.



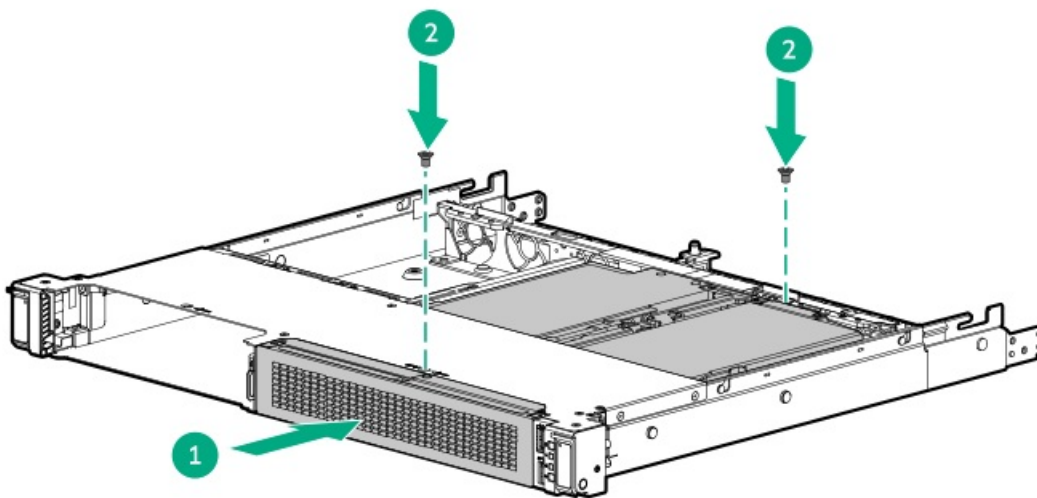
Make sure that:

- The riser cage is aligned with the rear chassis.
  - The riser board is firmly seated on the system board.
- b. Simultaneously push and rotate the half-turn spring latch to 180°.
- c. Close the spring latch.



4. To install the GPU riser cage, do the following:

- a. Slide the cage into the slot.
- b. Install the two screws.



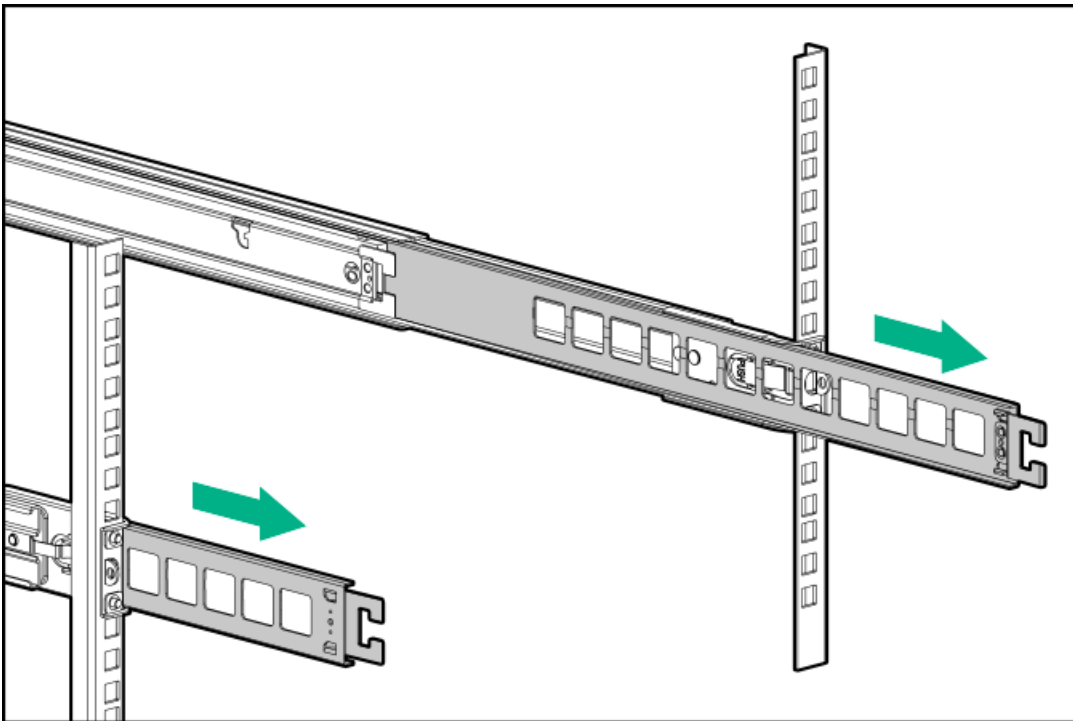
# Install the server into the rack

## Prerequisites

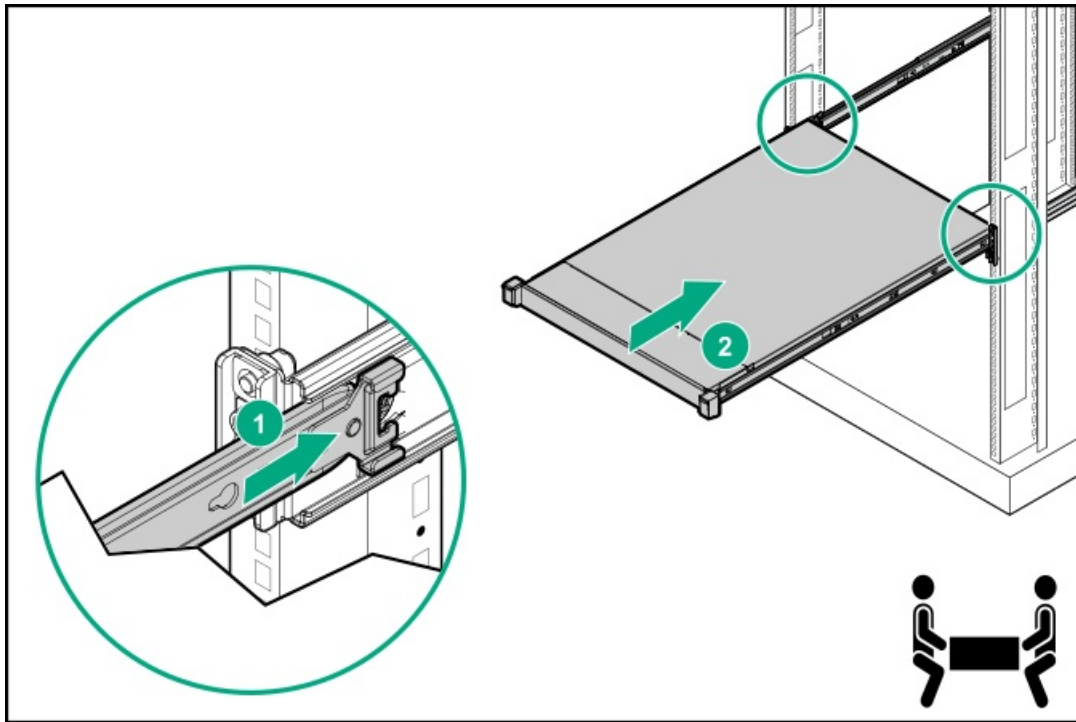
- Get help to lift and stabilize the server during rack installation. **If the server is installed higher than chest level, an additional two people might be required to help install the server:** One person to support the server weight, and the other two to slide the server into the rack.
- Before you perform this procedure, review the:
  - [Rack warnings and cautions](#)
  - [Server warnings and cautions](#)
- A fully populated server is heavy. Hewlett Packard Enterprise recommends removing the external chassis components before installing the server into a rack.

## Procedure

1. Extend the slide rails out on the mounting rails until they hit the internal stops and lock into place.



2. Install the server into the rack:
  - a. Insert the inner rails into the slide rails.
  - b. Slide the server into the rack until the chassis ears are flush against the rack posts.



3. Connect all peripheral cables to the server.
4. Connect the power cords:
  - a. Connect each power cord to the server.
  - b. Connect each power cord to the power source.
5. Employ industry best practices in routing and managing the peripheral cables and power cords. Do one of the following:
  - Install the rack rail hoop-and-loop strap.
  - Install the cable management arm.

## Hardware options installation

This chapter provides instructions for installing supported hardware options. To ensure proper server deployment and operation, Hewlett Packard Enterprise recommends installing only HPE-validated hardware options. To see the list of validated options for this server, see the product QuickSpecs on the HPE website:

<https://www.hpe.com/info/quickspecs>

To view the warranty for your server and supported options, see [Warranty information](#).

### Subtopics

[Server data backup](#)

[Hardware option installation guidelines](#)

[Hewlett Packard Enterprise product QuickSpecs](#)

[Rack mounting options](#)

[Installing the front bezel](#)

[Drive options](#)

[Installing the 8 SFF drive backplane](#)

[Drive cage options](#)

[Optical drive option](#)

[Display port option](#)

[PCIe riser option](#)

[Power supply options](#)

[Transceiver option](#)

[Fan options](#)

[Expansion card options](#)

[Accelerator options](#)

[Energy pack options](#)

[Memory options](#)

[Storage controller options](#)

[OCP NIC 3.0 adapter option](#)

[HPE NS204i-u Boot Device option](#)

[M.2 SSD options](#)

[Processor heatsink assembly option](#)

[Serial port option](#)

[Chassis intrusion detection switch option](#)

[Internal USB device option](#)

## Server data backup

To avoid data loss, make sure to back up all server data before installing or removing a hardware option, performing a server maintenance, or a troubleshooting procedure.

Server data in this context refers to information that may be required to return the system to a normal operating environment after completing a hardware maintenance or troubleshooting procedure. This information may include:

- User data files
- User account names and passwords
- Application settings and passwords
- Component drivers and firmware
- TPM recovery key/password
- BIOS configuration settings—Use the backup and restore function in UEFI System Utilities. For more information, see the UEFI user guide (<https://www.hpe.com/info/UEFI-manuals>).
  - Custom default system settings
  - Security passwords including those required for power-on and BIOS admin access, persistent memory, and Server Configuration Lock (for HPE Trusted Supply Chain servers)
  - Server serial number and the product ID
- iLO-related data—Use the iLO backup and restore function. For more information, see the iLO user guide (<https://www.hpe.com/support/ilo6>).
  - iLO license
  - Customer iLO user name, password, and DNS name
  - iLO configuration settings
- For servers managed by HPE GreenLake for Compute Ops Management, make sure that you have your HPE GreenLake account ID. For more information, see the HPE GreenLake for Compute Ops Management Getting Started Guide :

<https://www.hpe.com/info/com-gsg>



## Hardware option installation guidelines



**WARNING:** To reduce the risk of personal injury from hot surfaces, allow the drives and the internal system components to cool before touching them.



**CAUTION:**

To avoid data loss, Hewlett Packard Enterprise recommends that you back up all server data before installing or removing a hardware option, or performing a server maintenance or troubleshooting procedure.



**CAUTION:**

To prevent damage to electrical components, properly ground the server before beginning any installation, removal, or replacement procedure. Improper grounding can cause electrostatic discharge.

- Install any hardware options before initializing the server.
- If multiple options are being installed, read the installation instructions for all the hardware options to identify similar steps and streamline the installation process.
- If the hardware option installation involves internal cabling, review the Cabling guidelines.

## Hewlett Packard Enterprise product QuickSpecs

To learn more about your product, search the Hewlett Packard Enterprise website (<https://www.hpe.com/info/quickspecs>) for the product QuickSpecs:

- Supported options
- Supported configurations
- Component compatibility
- New features
- Specifications
- Part numbers

## Rack mounting options

Use the quick-deploy, toolless HPE rack rail option to install the server in a standard four-post rack. The rail design supports installation on rack of different mounting interfaces.

For cable management, the rack rail kit might include one or both of the following options:

- Rack rail hoop-and-loop strap
- Cable management arm

### Subtopics

Rack mounting interfaces

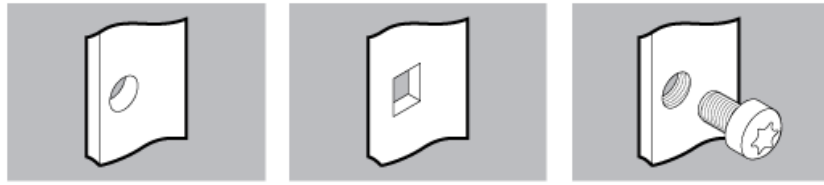
Rail identification markers

Rack rail options



## Rack mounting interfaces

The rack rails can be installed in a rack that has the following mounting interfaces:



Round-hole

Square-hole

Threaded round-hole

The illustrations used in this procedure show an icon on the upper right corner of the image. This icon indicates the type of mounting interface for which the action illustrated in the image is valid.

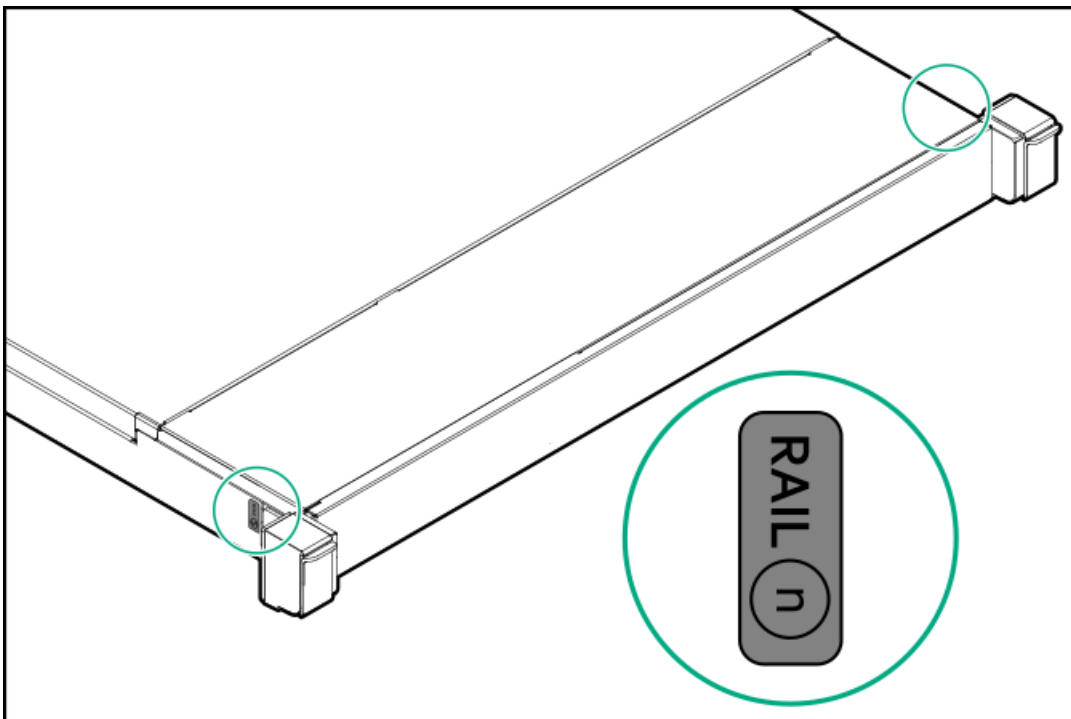
## Rail identification markers

The rack rail option support is dependent on these two factors:

- The height and weight of the chassis as determined by the front- and rear-end server configurations.
- The depth of the chassis as measured from the edge of the front panel (without the front bezel) to the edge of the rear panel.

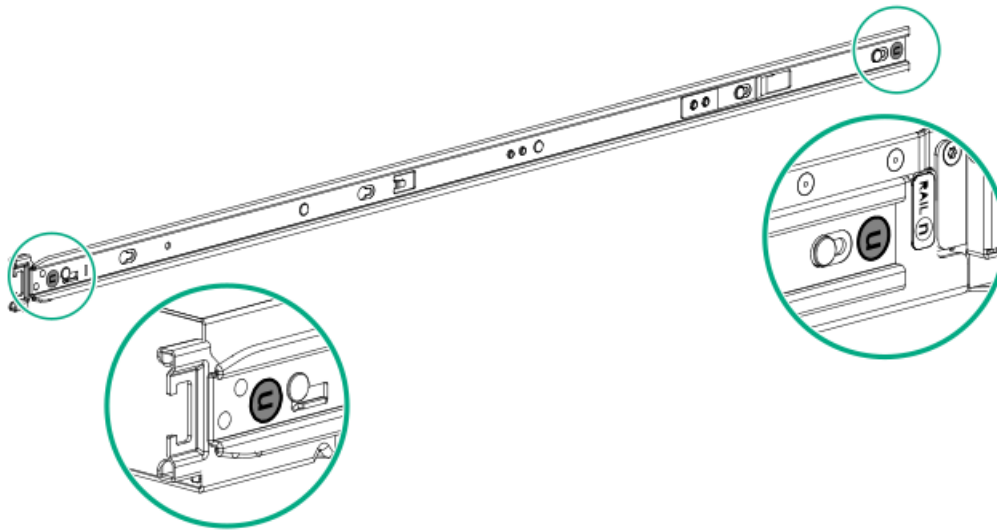
To ensure compatibility between the rack rails and the server, verify that the rail number labels on the chassis match the ones stamped on the rails.

- Rail number labels on the chassis

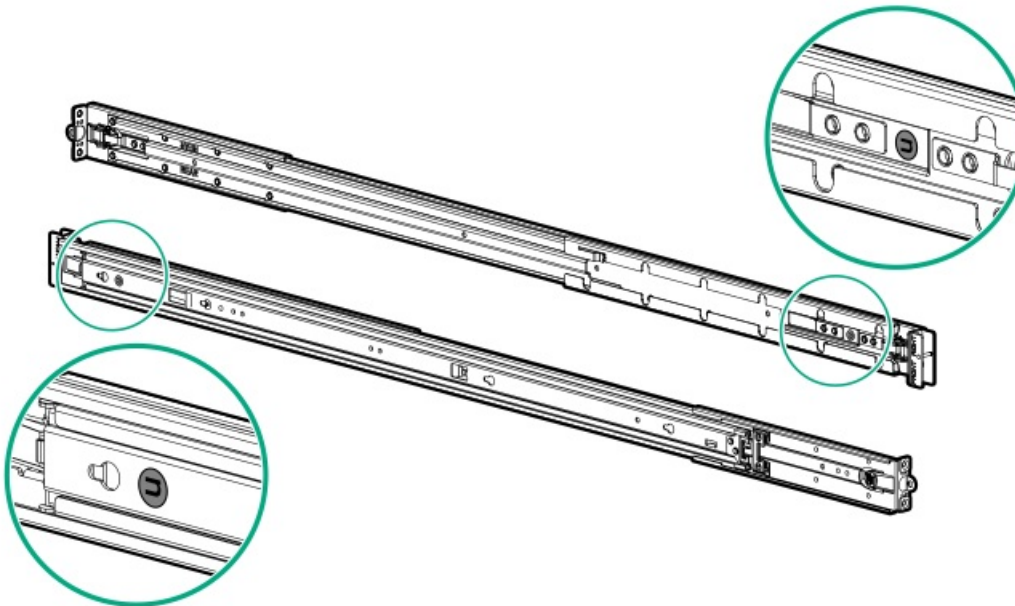


- Rail identifier stamps on the inner rail of the friction rack rail





- Rail identifier stamps on the mounting rail of the friction rack rail



## Rack rail options

This server supports the following HPE Easy Install friction rack rail (stab-in) options:

| Server configuration  | Rack rail option               | Minimum rail length   | Adjustable rail range                         |
|-----------------------|--------------------------------|-----------------------|---|
| SFF drive             | Rail option #1<br>(P52349-B21) | 674.20 mm (26.54 in)  | 609.60 mm to 867.30 mm (24.00 in to 34.00 in) |
| LFF drive             | Rail option #2<br>(P52351-B21) | 714.32 mm (28.12 in)  | 609.60 mm to 918.10 mm (24.00 in to 36.15 in) |
| 3-row LFF drive       | Rail option #9<br>(P52353-B21) | 1029.61 mm (40.54 in) | 609.60 mm to 918.10 mm (24.00 in to 36.15 in) |
| Accelerator-optimized | Rail option #5<br>(P52343-B21) | 808.69 mm (31.84 in)  | 609.60 mm to 918.10 mm (24.00 in to 36.15 in) |

## Subtopics

[Installing the rack rail option](#)

## Installing the rack rail option

### Prerequisites

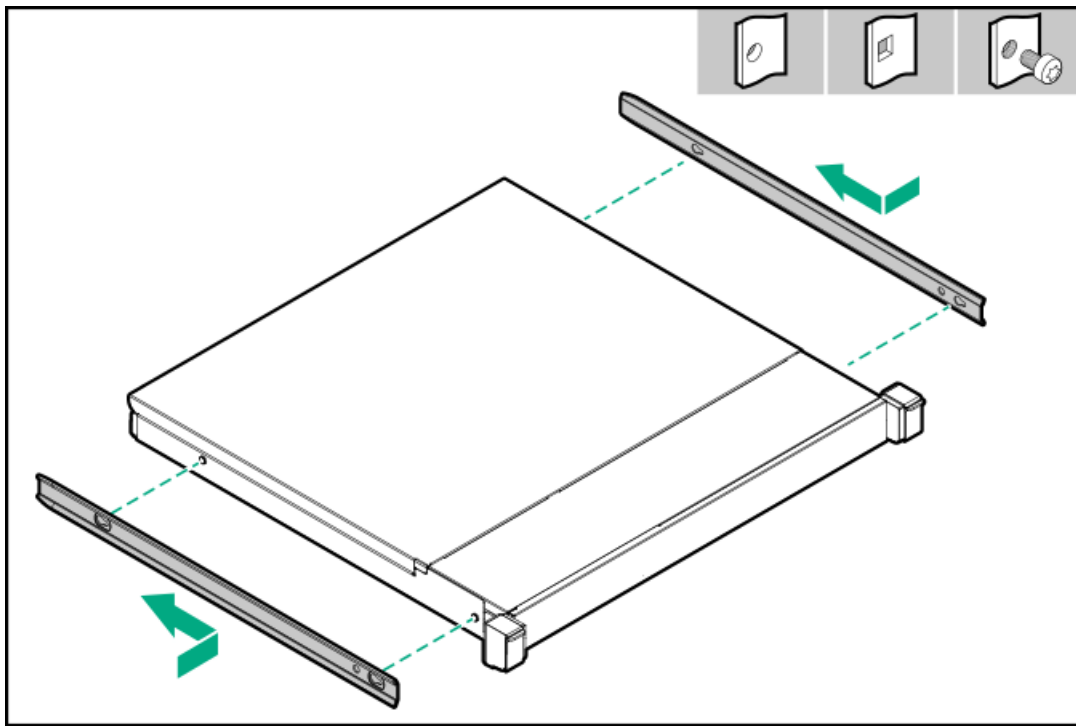
- [Rail identification markers](#)
- Make sure that the rail option is compatible with the server configuration.
- Small slotted screwdriver—This tool is required if you intend to install the server in a threaded round-hole rack.

### Procedure

#### Installing the inner rails on the server

1. Attach the inner rails to the server:
  - a. Insert the spools on the sides of the server through the keyed slots on the rails.
  - b. Slide the rail towards the rear panel to lock it into place.

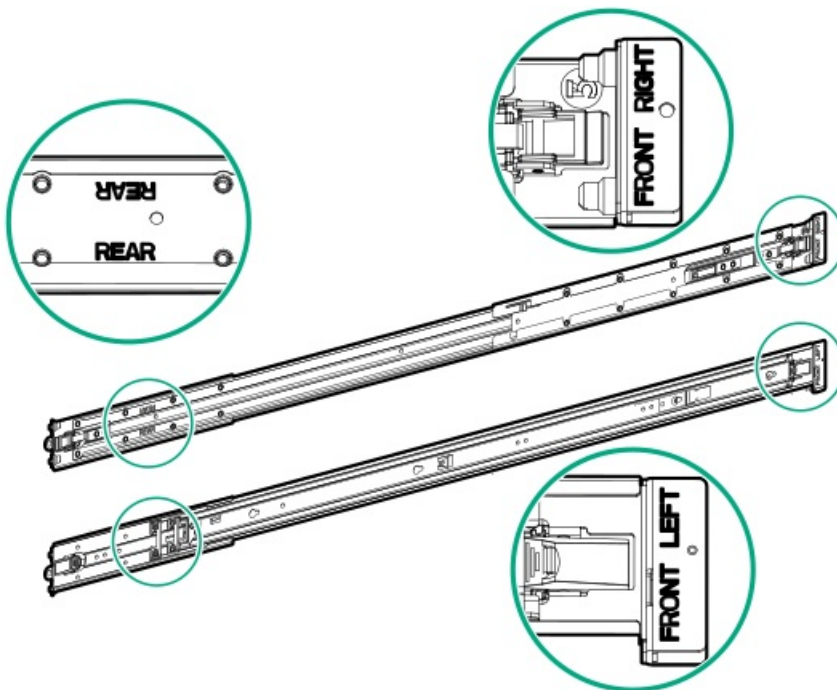




**Installing the mounting rails on the rack**

2. Locate the orientation markers on the mounting rails.

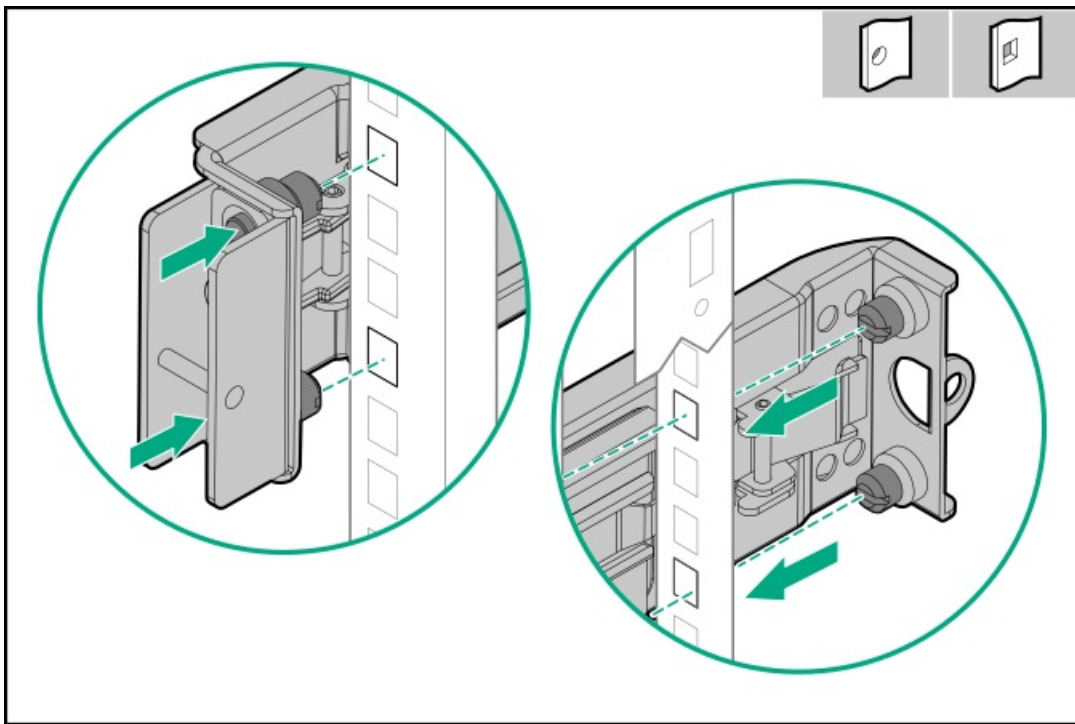
- The front end of the rails is marked as **FRONT LEFT** or **FRONT RIGHT**.
- The other end of the rails is marked as **REAR**.



3. Extend the mounting rails to align with the depth of the rack.

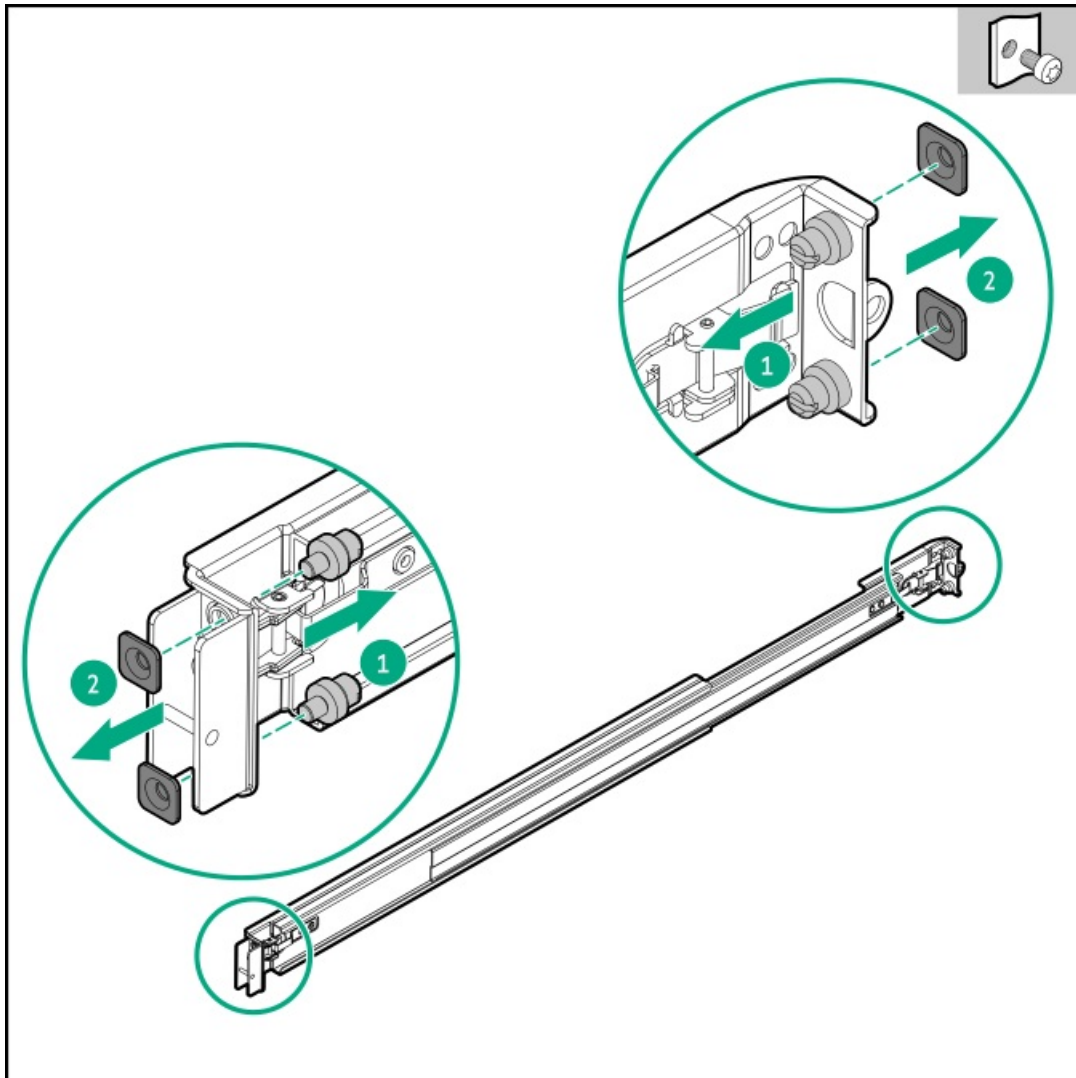
4. To install the mounting rails in a round-hole or square-hole rack, insert the pins on the mounting flanges into the rack post holes.



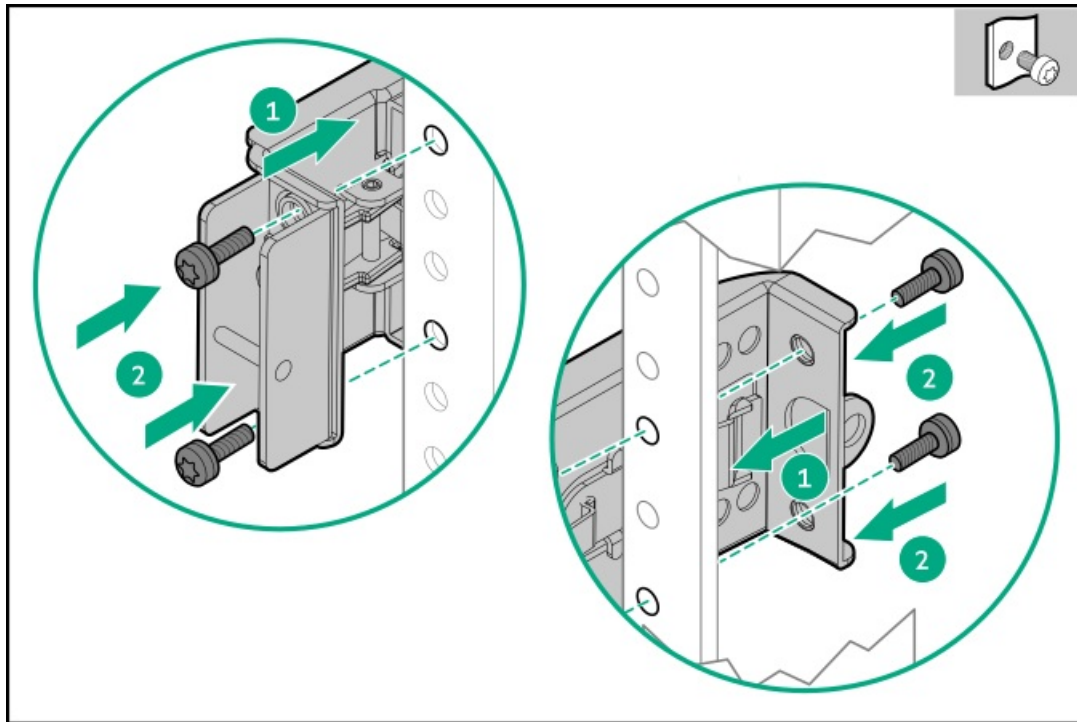


5. To install the mounting rails in a threaded round-hole rack, do the following:

- a. Remove the pins and washers from the mounting rails.



- b. Position the holes on the mounting flanges against the threaded holes on the rack post.
- c. Install the rack mounting screws.



- 6. Install the server into the rack.

## Results

The installation procedure is complete.

## Installing the rack rail hook-and-loop strap

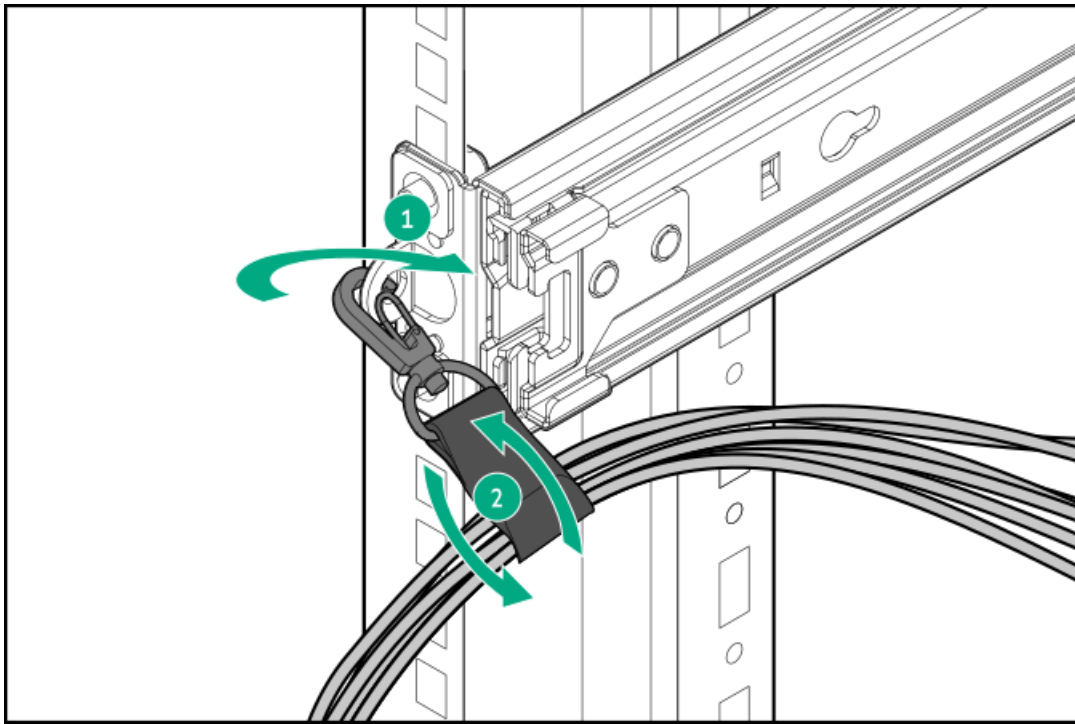
### About this task

The hook-and-loop strap can be installed on either the left or right rail.

### Procedure

- 1. Attach the strap carabiner to the rail.
- 2. Bundle the cords and cables, and then wrap the strap around the cables.





## Installing the cable management arm

### Prerequisites

- Before you perform this procedure, review the [Rack warnings and cautions](#).
- T-25 Torx screwdriver—This tool is required if the shipping screws located inside the chassis ears need to be loosened or tightened.

### About this task

The cable management arm (CMA) allows the server to be fully extended from the rack without the need to power off the system or disconnect any rear panel cables. This CMA is designed for ambidextrous implementation.

For the purpose of this procedure, left and right terminology is from the perspective of a user facing the front of the rack.



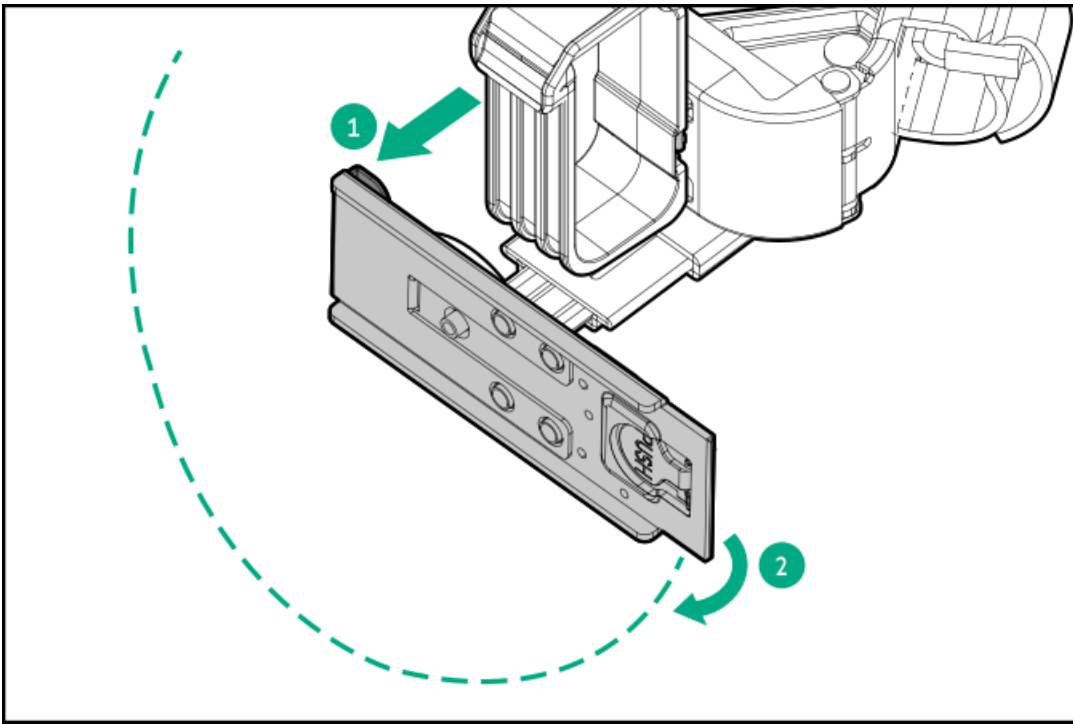
#### CAUTION:

Support the CMA during the removal and replacement procedures. Do not allow the CMA to hang by its own weight during the procedure.

### Procedure

1. Connect and secure all peripheral cables and power cords to the rear panel.
2. (Optional) The CMA retention bracket can be rotated to fit a left- or right-hand CMA operation. Press and hold the rotate mechanism, and then rotate the bracket 180°.

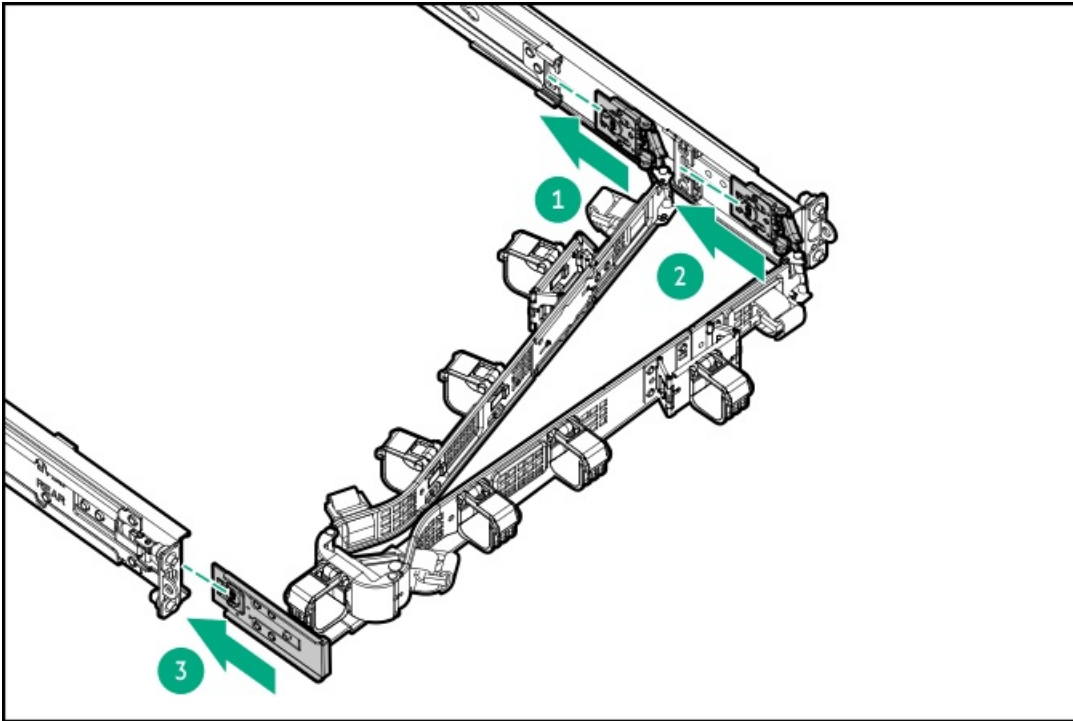
There will be an audible click to indicate that the bracket is locked in its adjusted position.



3. Connect the CMA hinged tabs and retention bracket to the rack rails:

- a. Insert the inner tab into the slide rail.
- b. Insert the outer tab into the mounting rail.
- c. Insert the retention bracket into the opposite mounting rail.

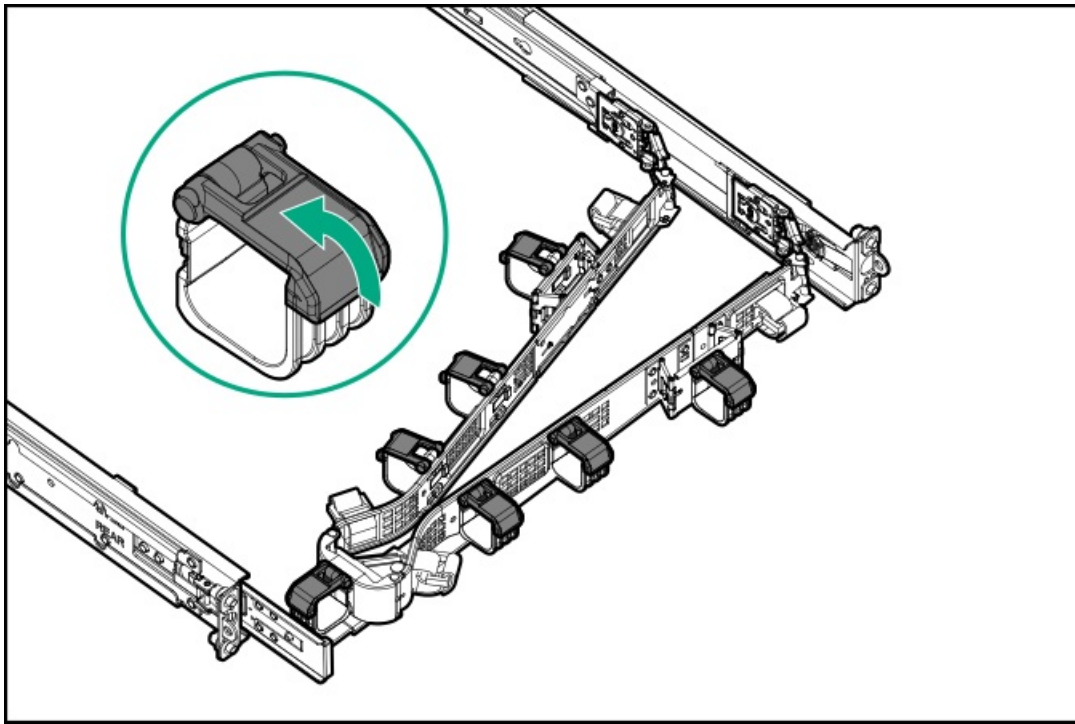
There will be an audible click to indicate that the tabs and bracket are locked into place.



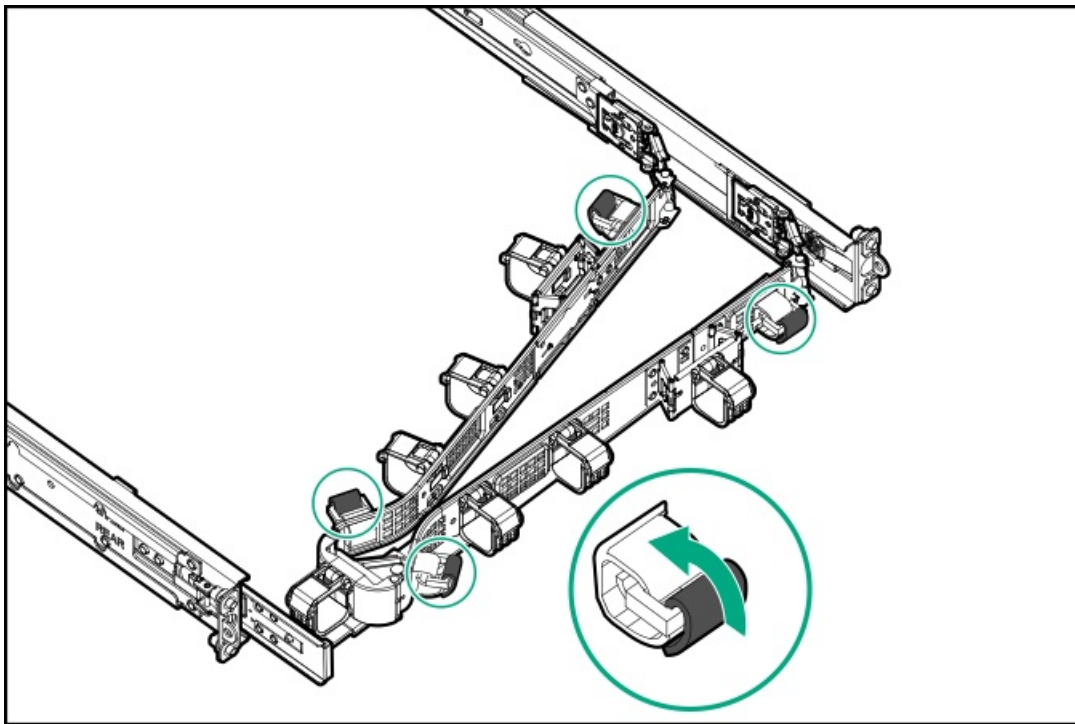
4. Open the cable clamps.








5. (Optional) If your CMA has cable straps for additional cable strain relief, unwrap the straps.

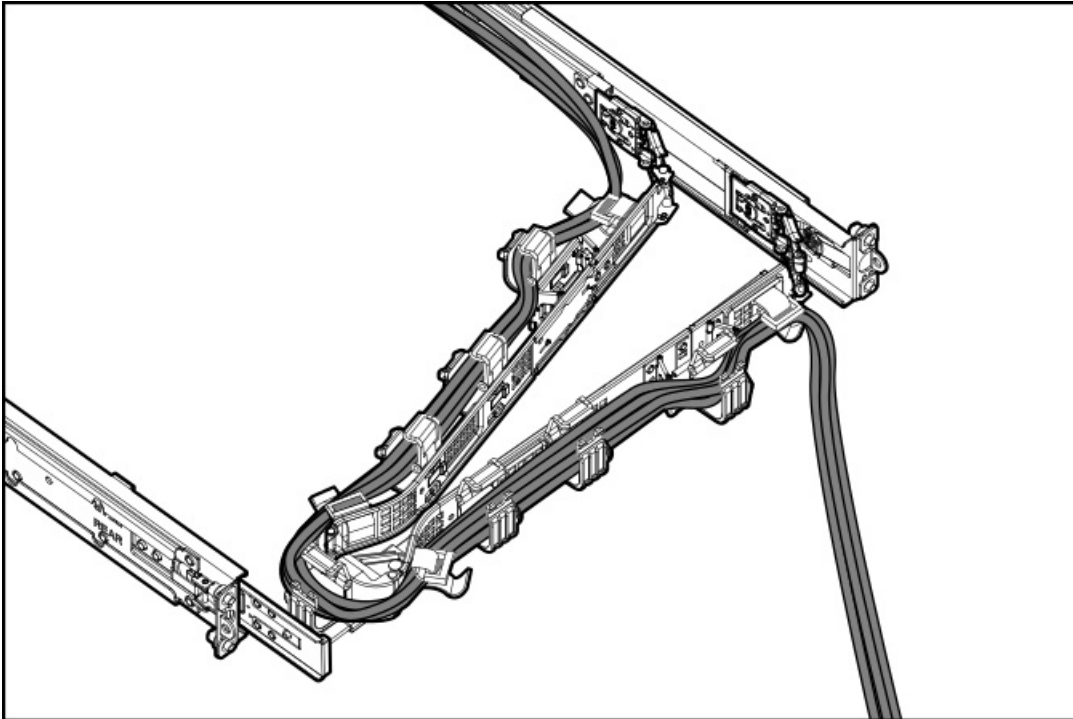




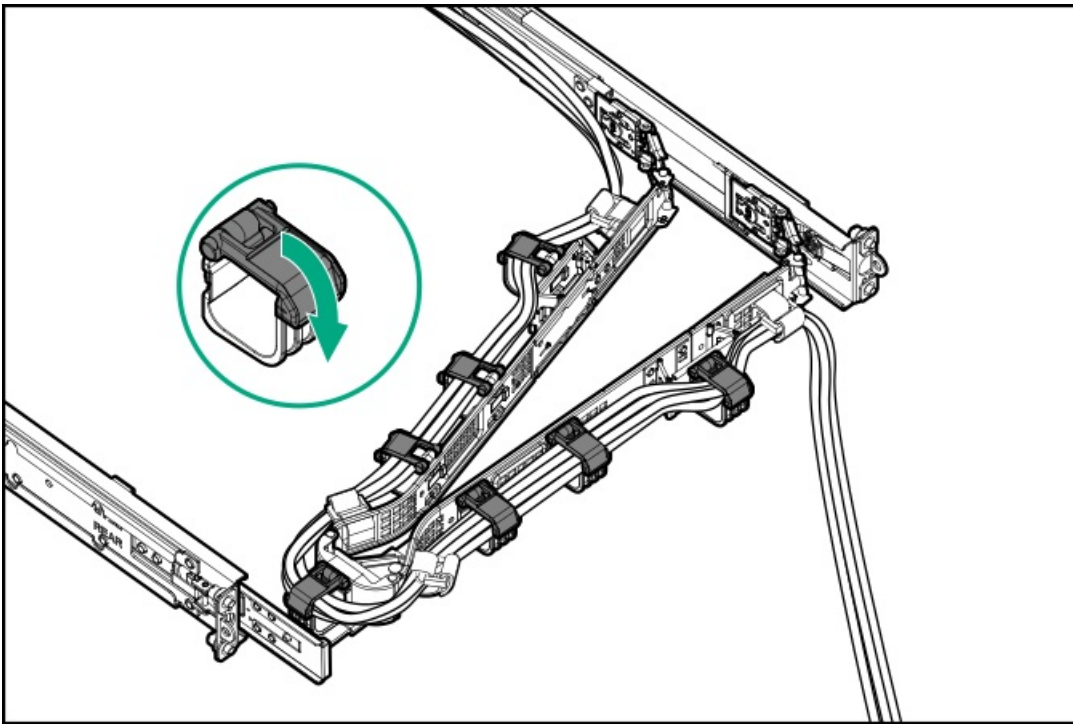
6.  **CAUTION:** Employ industry best practices in managing peripheral cables and power cords secured in the CMA. These are some of the more important points:

- Leave enough cable slack between the rear panel and the CMA to allow the full extension of the CMA when the server is extended out of the rack.
- However, there should be no excess cable slack inside the CMA; this might cause cable binding and could lead to cable damage.
- Make sure that the cables and power cords do not extend above the top or below the bottom of the server to which they are attached. Otherwise, the cables might snag on other equipment installed in the rack when the server is extended from or returned to the rack.

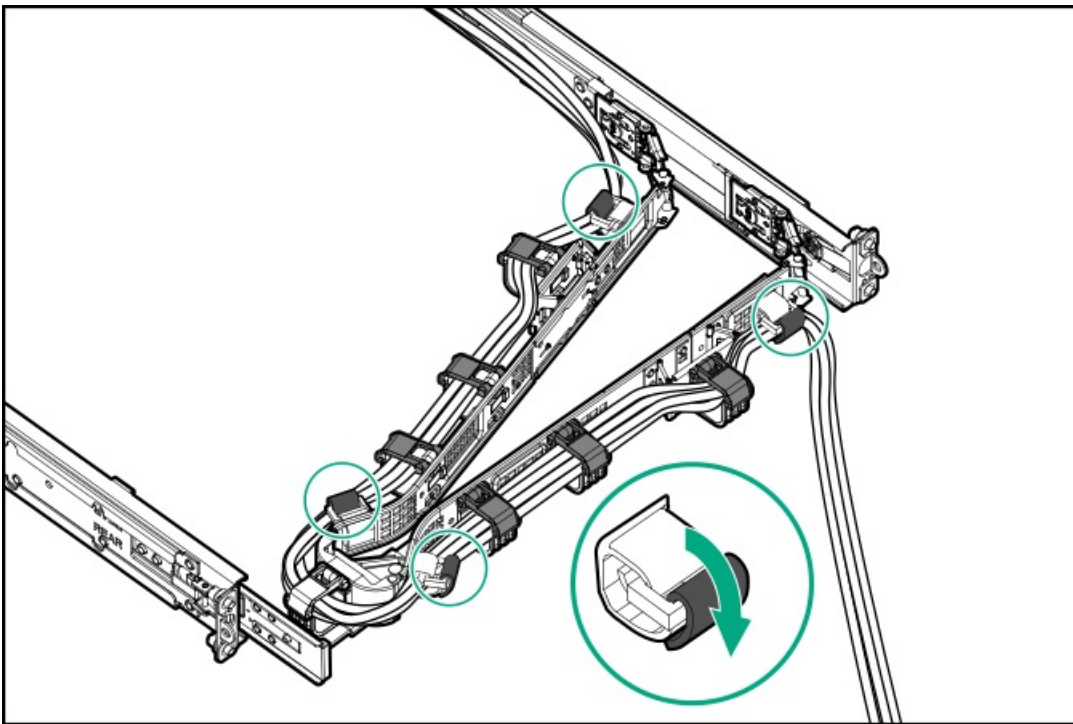
Route the peripheral cables and power cords through the cable clamps and/or straps.



7. Close the cable clamps.



8. (Optional) If your CMA has cable straps, fasten the straps.



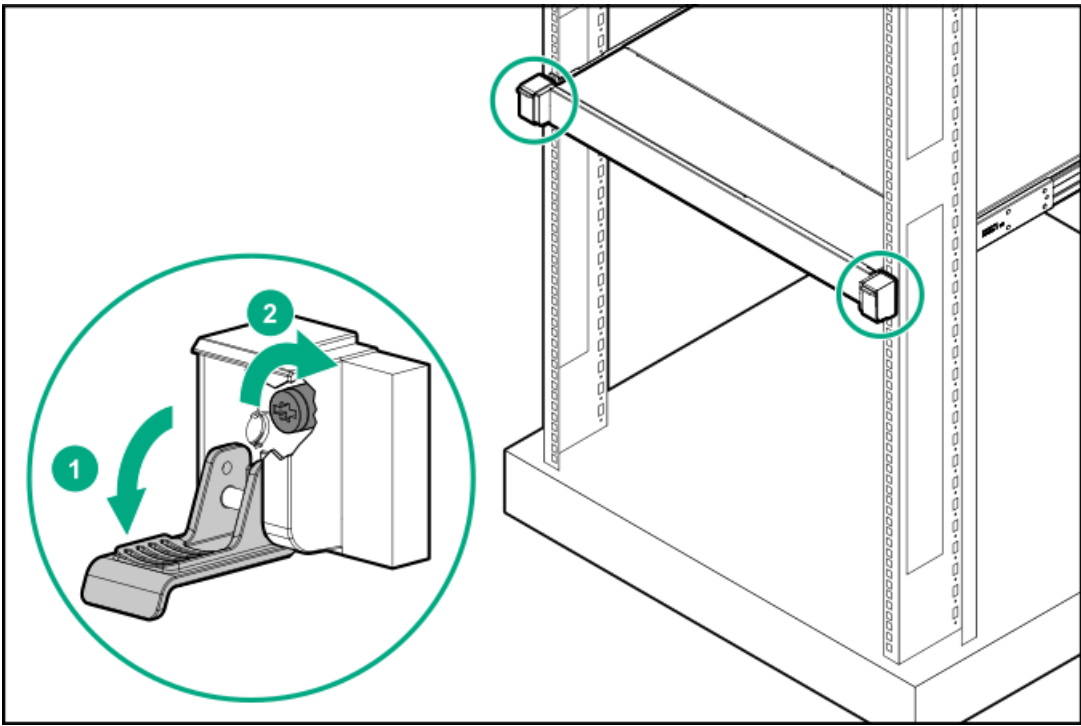
9. Verify the operation of the rack rails:

- a. Fully extend the chassis out of the rack.
- b. Check that there is enough slack in the cables and cords for full extension of the chassis. Make sure that there is no cable binding or crimping.
- c. To ensure that the cables and cords are secured properly, slide the chassis in and out of the rack. Make sure that there is no risk of accidental disconnection of the peripheral cables and power cords.

10. Slide the server into the rack until the chassis ears are flushed against the rack posts.

11. (Optional) Open the chassis ear latches, and then tighten the shipping screws.





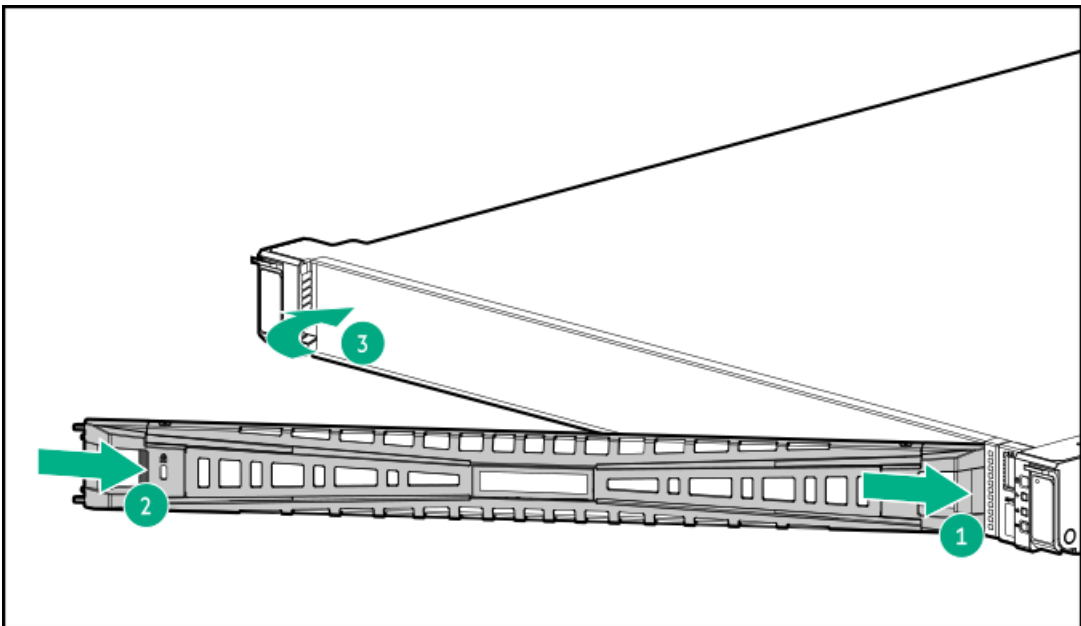
## Results

The installation procedure is complete.

## Installing the front bezel

### Procedure

1. Attach the front bezel to the right chassis ear.
2. Press and hold the front bezel release latch.
3. Close the front bezel.



4. (Optional) Install the Kensington security lock.



For more information, see the lock documentation.

## Drive options

Depending on the drive backplane installed, the server supports the following drive types:

- Hot-plug LFF hot-plug, SAS, and SATA
- Hot-plug SFF SAS, SATA, NVMe
- Hot-plug E3.S PCIe5 NVMe SSDs

The embedded Intel VROC for HPE Gen11 (Intel VROC) supports software RAID for direct attached SATA and NVMe drives.

To support hardware RAID, [install a storage controller option](#).

### Subtopics

[Drive installation guidelines](#)

[Installing a hot-plug SAS, SATA or NVMe drive](#)

[Installing a hot-plug LFF SAS, SATA or NVMe drive in box three or box five](#)

[Installing an E3.S drive](#)

## Drive installation guidelines

Observe the following general guidelines:

- The system automatically sets all drive numbers.



### CAUTION:

When a server is purchased without any drive installed, some drive bays might be empty while other drive bays might be populated with drive blanks. To maintain proper system cooling, do not operate the server without a drive or a drive blank installed.

- If only one drive is used, install it in the bay with the lowest drive number.  
For drive numbering, see [Drive bay numbering](#).
- This server does not support mixed drive types in the same drive box.
- All drives grouped into the same drive array must meet the following criteria:
  - All drives must be either all hard drives or all solid-state drives.
  - All drives must be of the same capacity to provide the greatest storage space efficiency when drives are grouped into the same drive array.

## Installing a hot-plug SAS, SATA or NVMe drive

### About this task





**CAUTION:** To maintain proper system cooling, do not operate the server for long period with the access panel open or removed. Operating the server in this manner results in an improper system airflow. For internal hot-plug component procedures, complete the procedure within 60 seconds. Failure to do so can cause the system temperature to increase and trip the safety threshold. When this happens:

- The health LED flashes amber.
- The operating system gracefully shuts down.



**CAUTION:** A discharge of static electricity from a finger or other conductor might damage system boards or other static-sensitive devices. To prevent damage, observe [antistatic precautions](#).



**CAUTION:** To prevent improper cooling and thermal damage, do not operate the server unless all bays are populated with either a component or a blank.

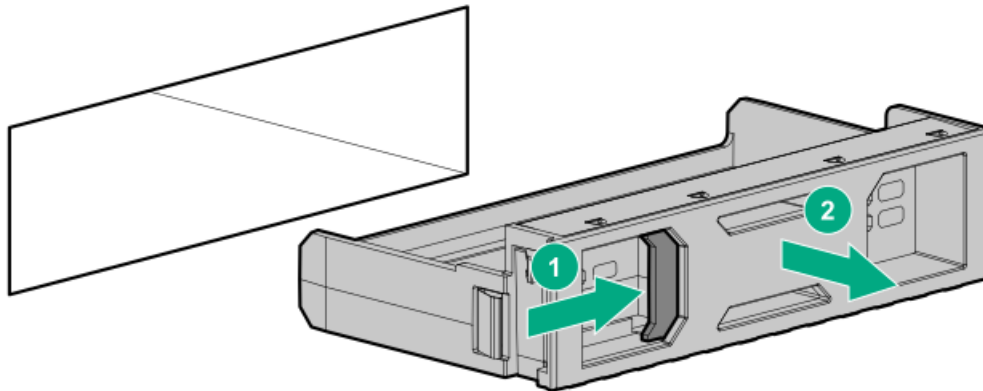
## Procedure

1. If installed, remove the front bezel.

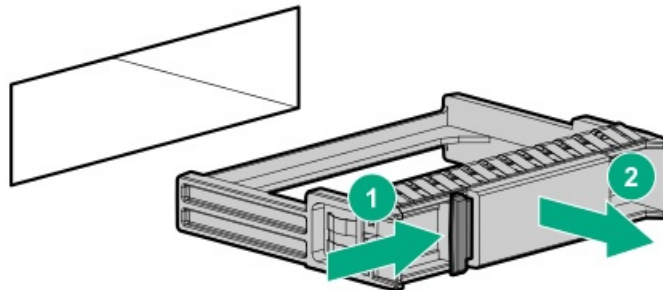
2. Remove the drive blank.

Retain the blank for future use.

- LFF drive blank



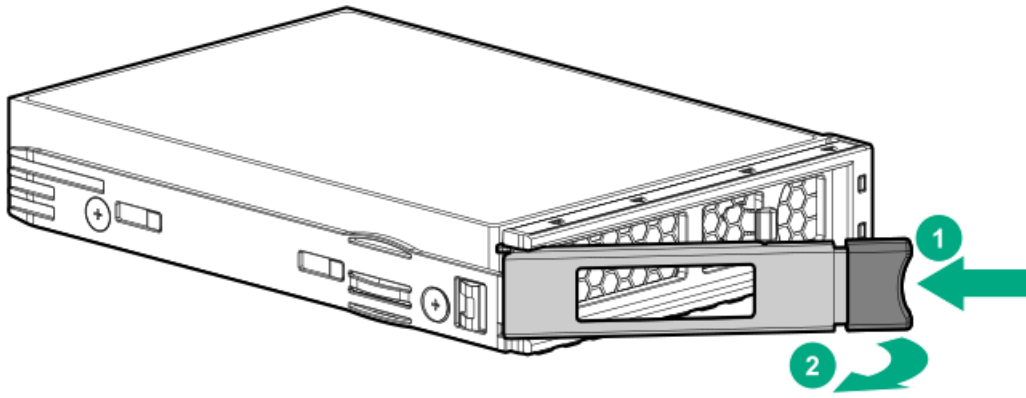
- SFF drive blank



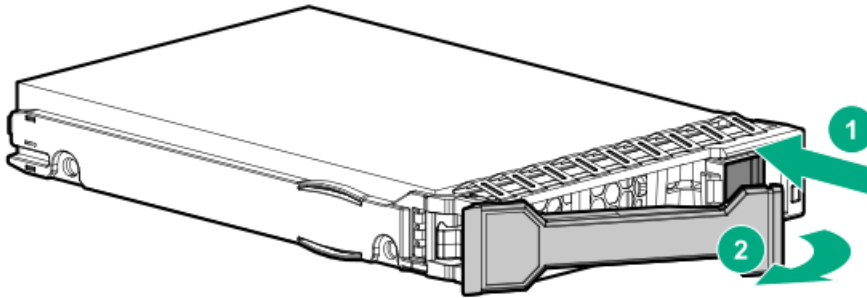
3. Prepare the drive.

- LFF drive



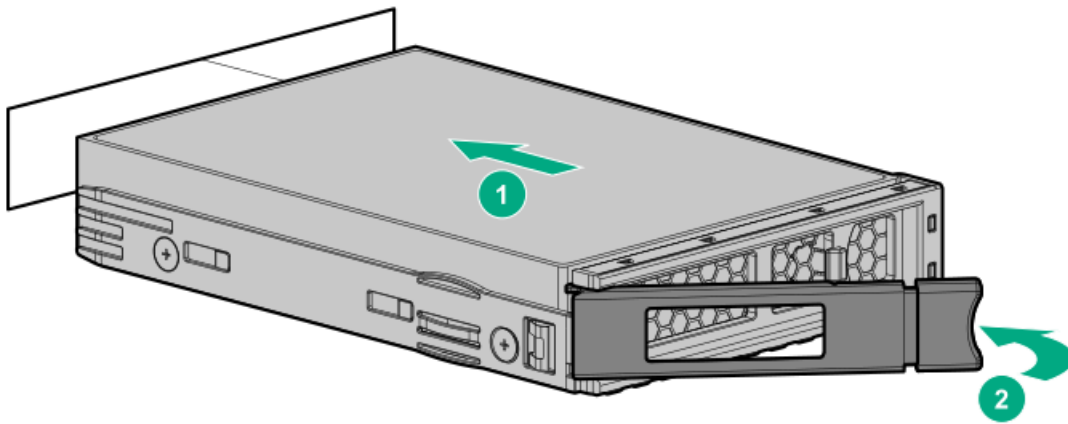


- SFF drive

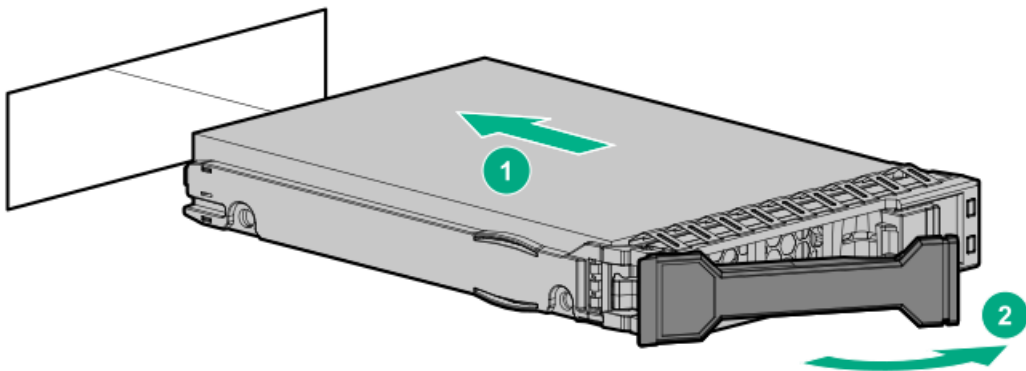


4. Install the drive.

- LFF drive



- SFF drive



5. Determine the status of the drive from the drive LED definitions .



6. If removed, [install the front bezel](#).
7. [Configure the controller](#).

## Results

The installation procedure is complete.

## Installing a hot-plug LFF SAS, SATA or NVMe drive in box three or box five

### About this task

**CAUTION:** To maintain proper system cooling, do not operate the server for long period with the access panel open or removed. Operating the server in this manner results in an improper system airflow. For internal hot-plug component procedures, complete the procedure within 60 seconds. Failure to do so can cause the system temperature to increase and trip the safety threshold. When this happens:

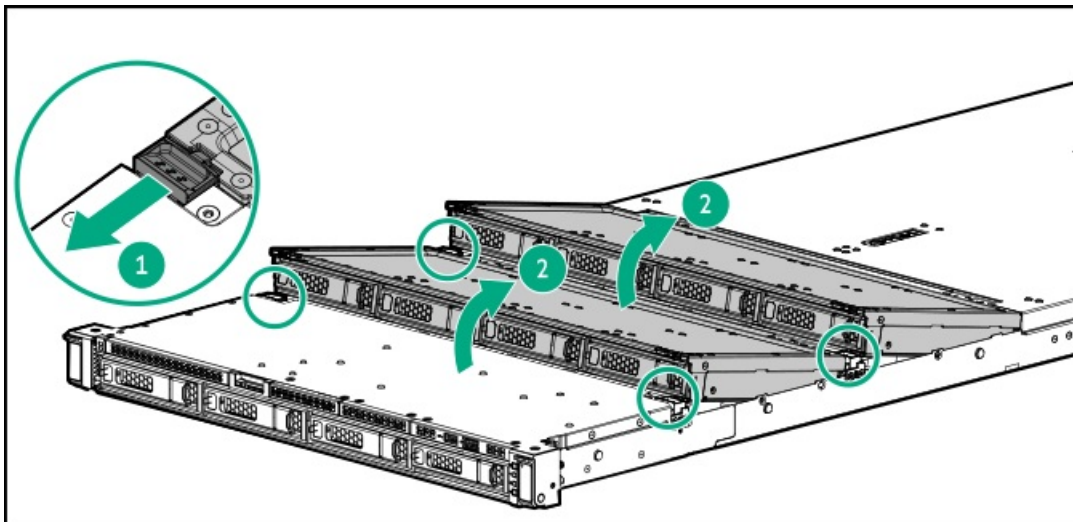
- The health LED flashes amber.
- The operating system gracefully shuts down.

**CAUTION:** A discharge of static electricity from a finger or other conductor might damage system boards or other static-sensitive devices. To prevent damage, observe [antistatic precautions](#).

**CAUTION:** To prevent improper cooling and thermal damage, do not operate the server unless all bays are populated with either a component or a blank.

### Procedure

1. If installed, [open the cable management arm](#).
2. Do one of the following:
  - a. [Extend the server from the rack](#).
  - b. [Remove the server from the rack](#).
3. Press and pull the tab, and the drive box will automatically pop up.

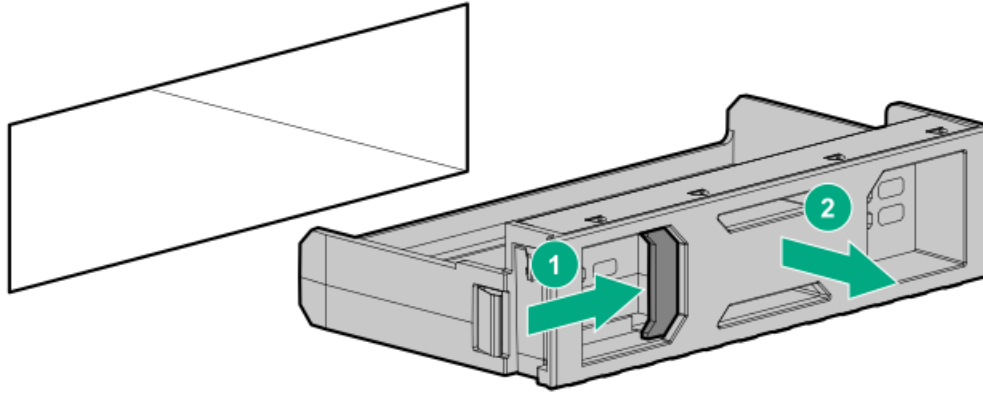


4. Remove the drive blank.

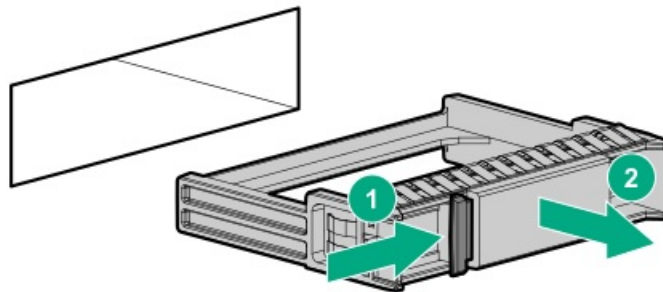


Retain the blank for future use.

- LFF drive blank

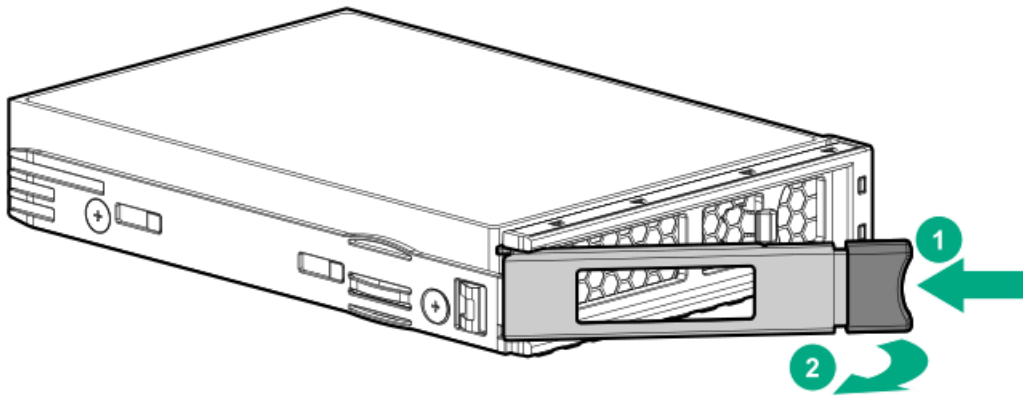


- SFF drive blank

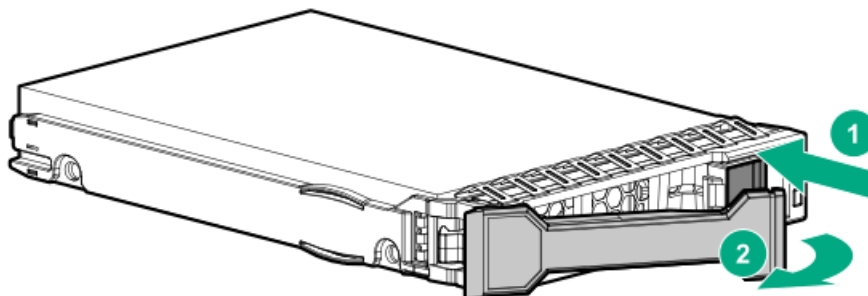


5. Prepare the drive.

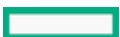
- LFF drive



- SFF drive

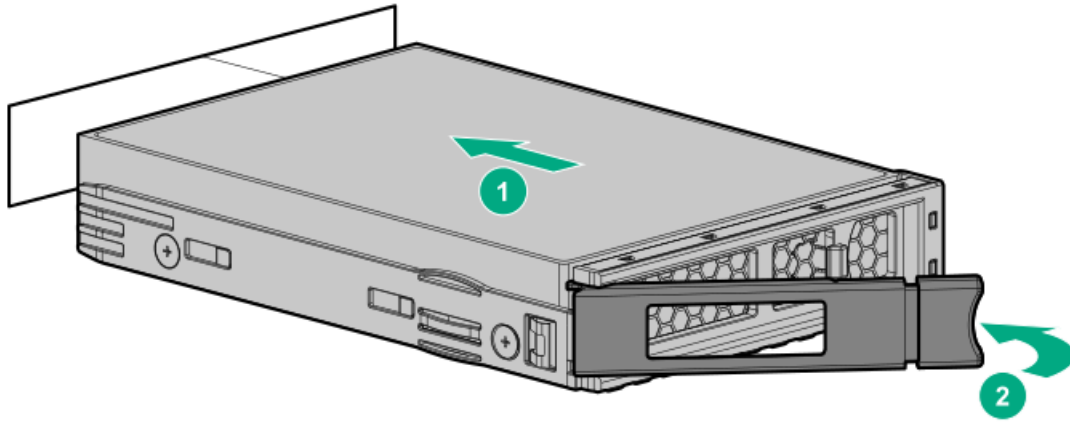


6. Install the drive.

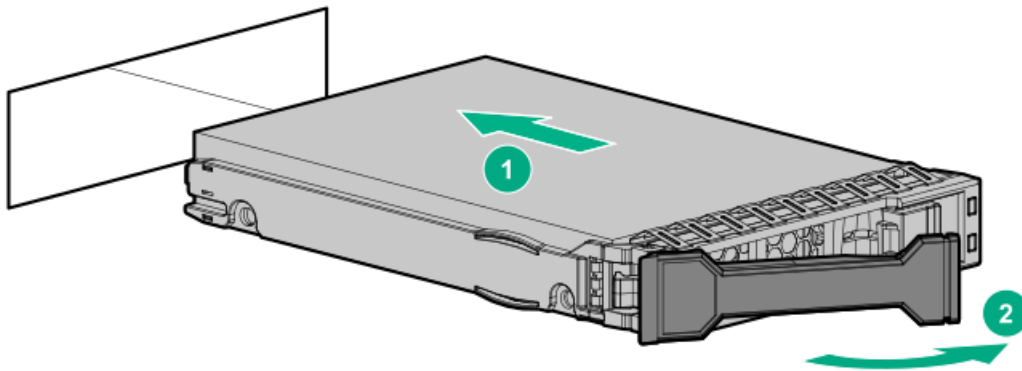




- LFF drive



- SFF drive



7. Determine the status of the drive from the drive LED definitions.
8. Configure the controller.

## Results

The installation procedure is complete.

## Installing an E3.S drive

### About this task



**CAUTION:** A discharge of static electricity from a finger or other conductor might damage system boards or other static-sensitive devices. To prevent damage, observe [antistatic precautions](#).



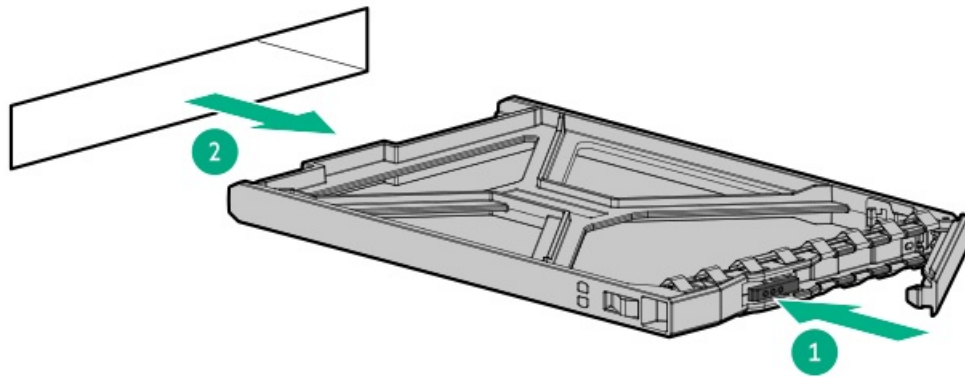
**CAUTION:** To prevent improper cooling and thermal damage, do not operate the server unless all bays are populated with either a component or a blank.

### Procedure

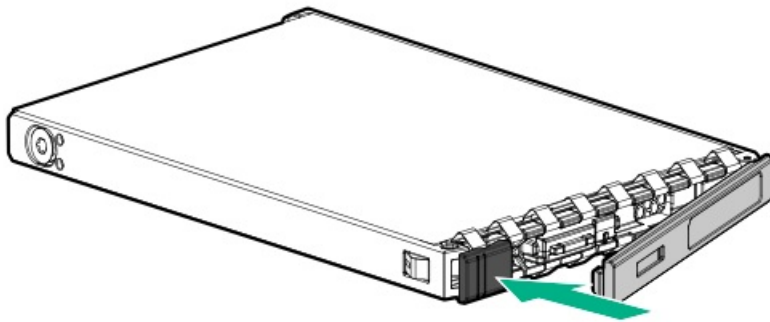
1. Back up all server data.
2. If installed, remove the front bezel.
3. Remove the drive blank.



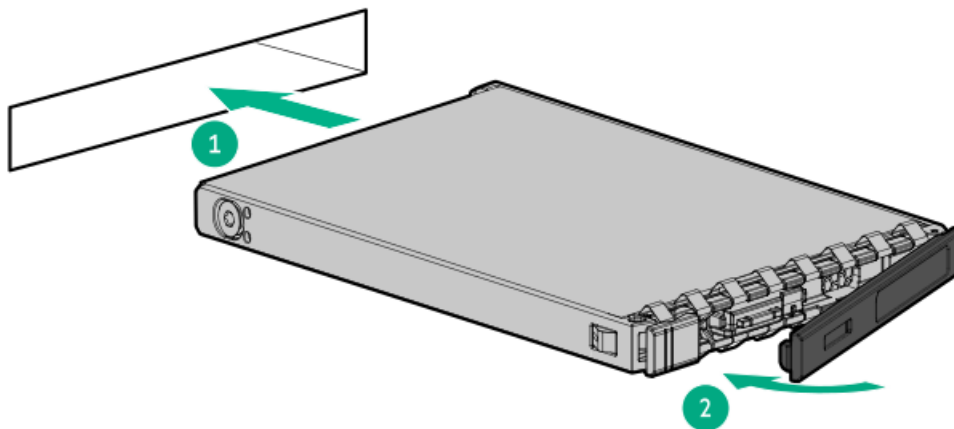
Retain the blank for future use.



4. Prepare the drive.



5. Install the drive.



**NOTE:**

To make sure that the drive has installed successfully, make sure that the latch is engaged with the drive cage.

6. Determine the status of the drive from the drive LED definition.
7. Install the front bezel.
8. To configure drive arrays, see the relevant storage controller guide.

## Results



The installation procedure is complete.

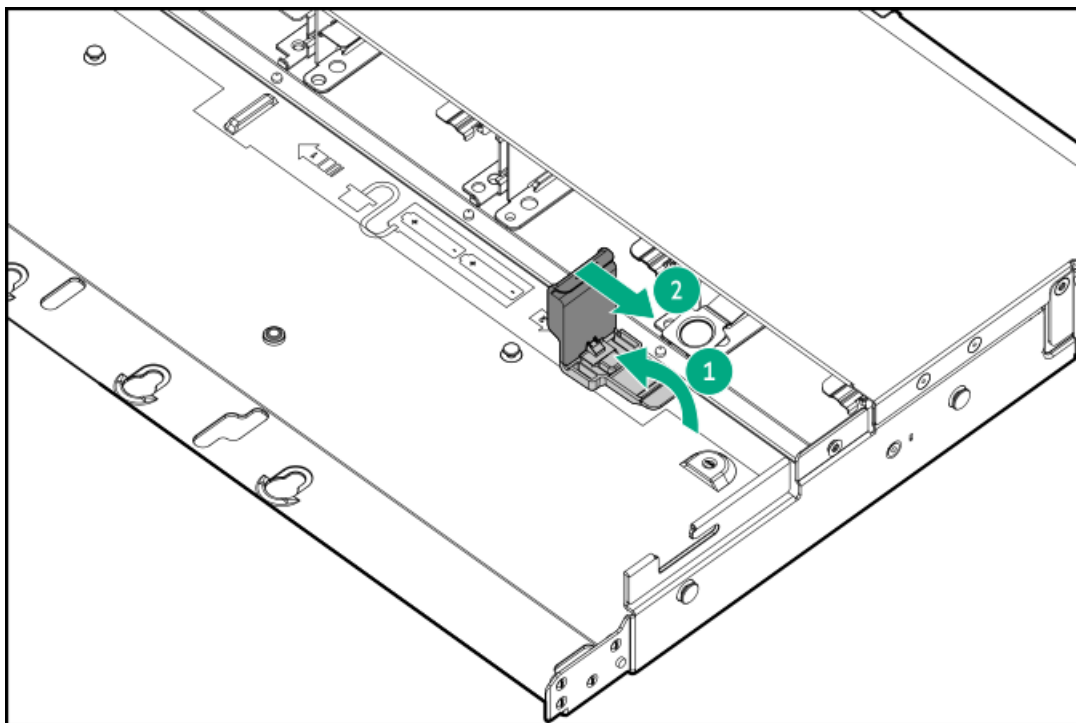
## Installing the 8 SFF drive backplane

### Prerequisites

Before you perform this procedure, make sure that you have a T-15 Torx screwdriver available.

### Procedure

1. Power down the server.
2. Remove all power:
  - a. Disconnect each power cord from the power source.
  - b. Disconnect each power cord from the server.
3. Disconnect all peripheral cables from the server.
4. Remove the server from the rack.
5. Place the server on a flat, level work surface.
6. Remove the access panel.
7. Remove the middle cover.
8. Remove the fans.
9. Remove the fan wall.
10. Remove the energy pack retention latch:
  - a. Pull up and hold the latch.
  - b. Push the latch to detach from the chassis.

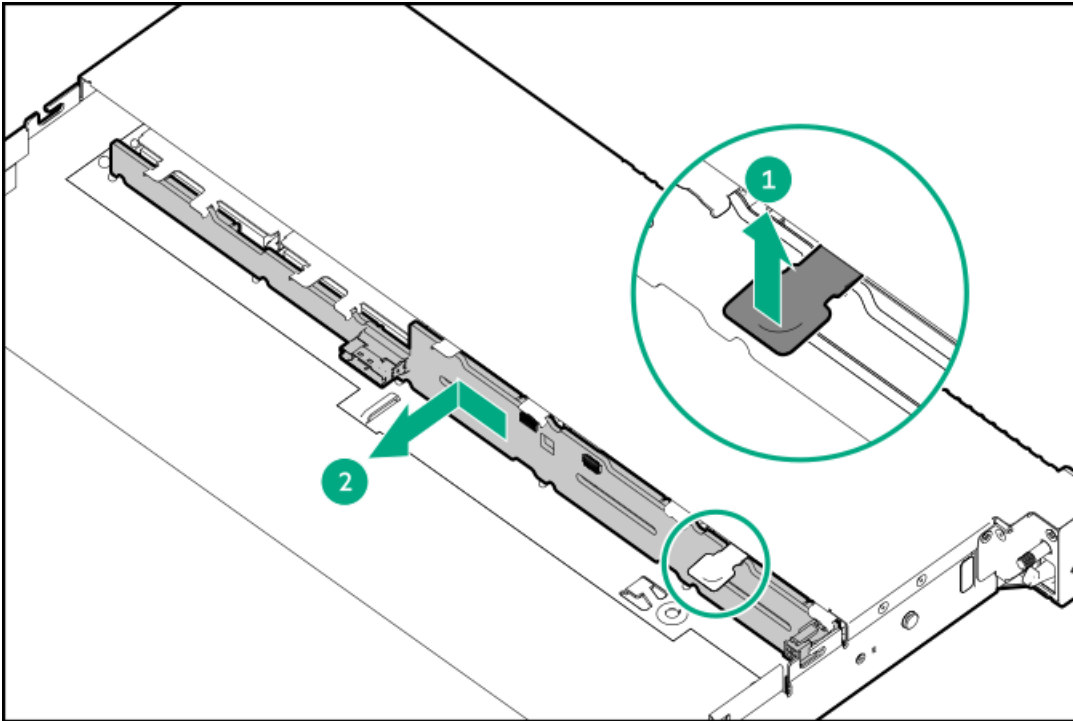


11. Disconnect all cables from the drive backplane.



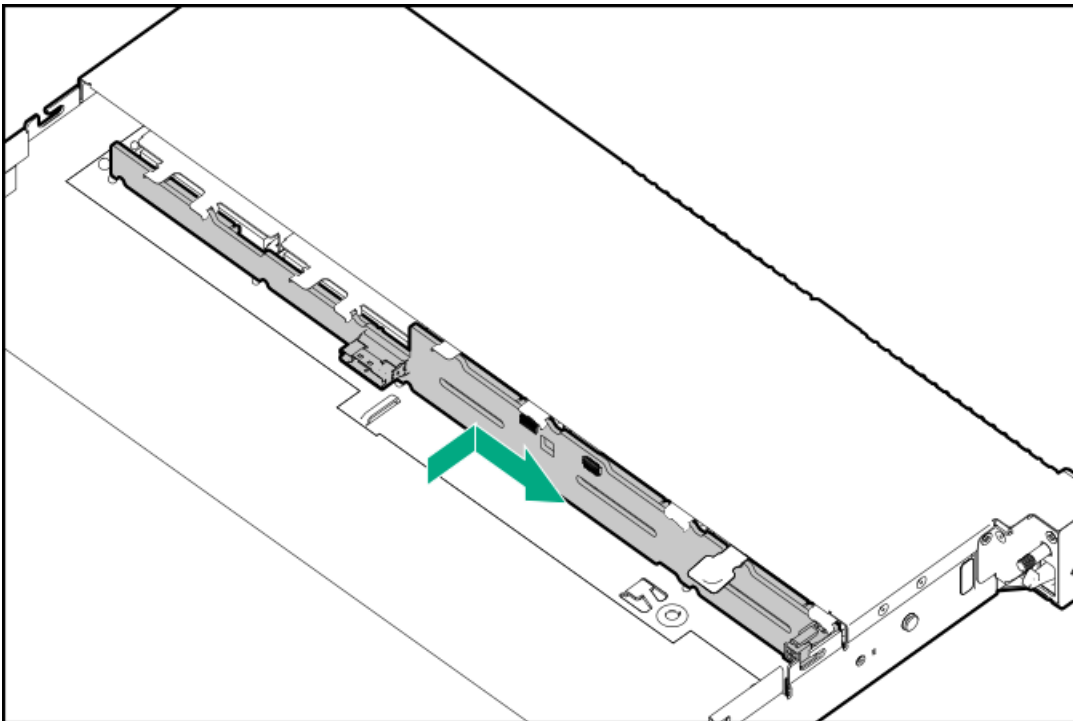
12. Remove the 8 SFF drive backplane:

- a. Lift the release latch.
- b. Detach the backplane from the drive cage.



13. Install the 8 SFF drive backplane.

Make sure the backplane is firmly seated in the drive cage and locked by the release latch.

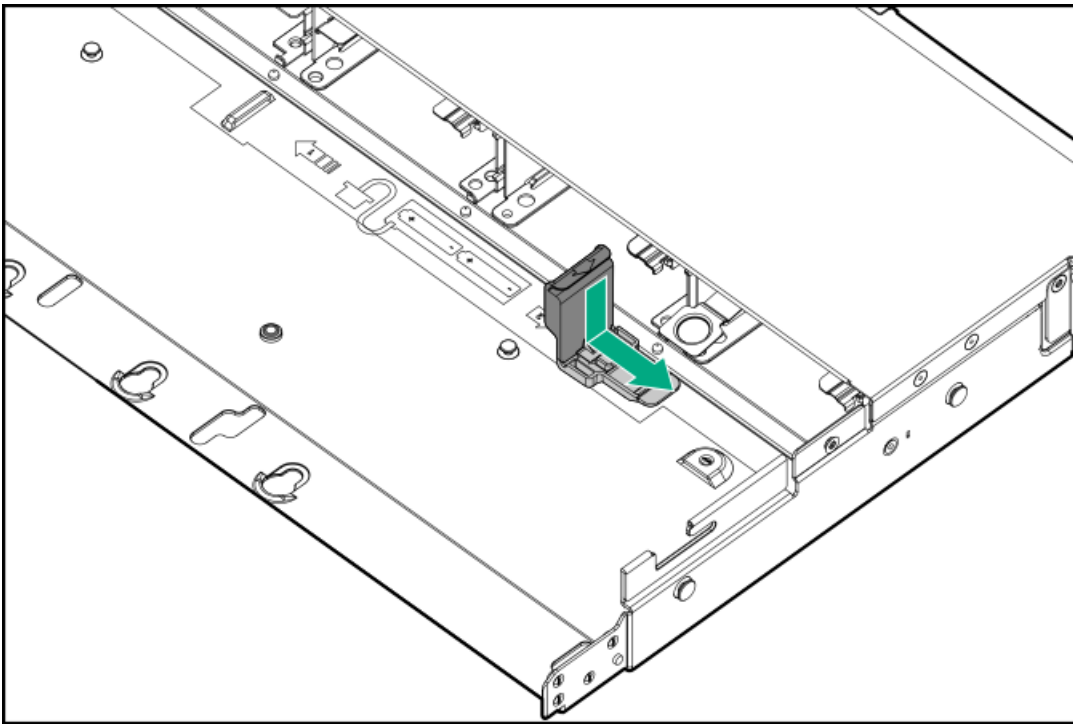


14. Connect the following cables to 8 SFF drive backplane:

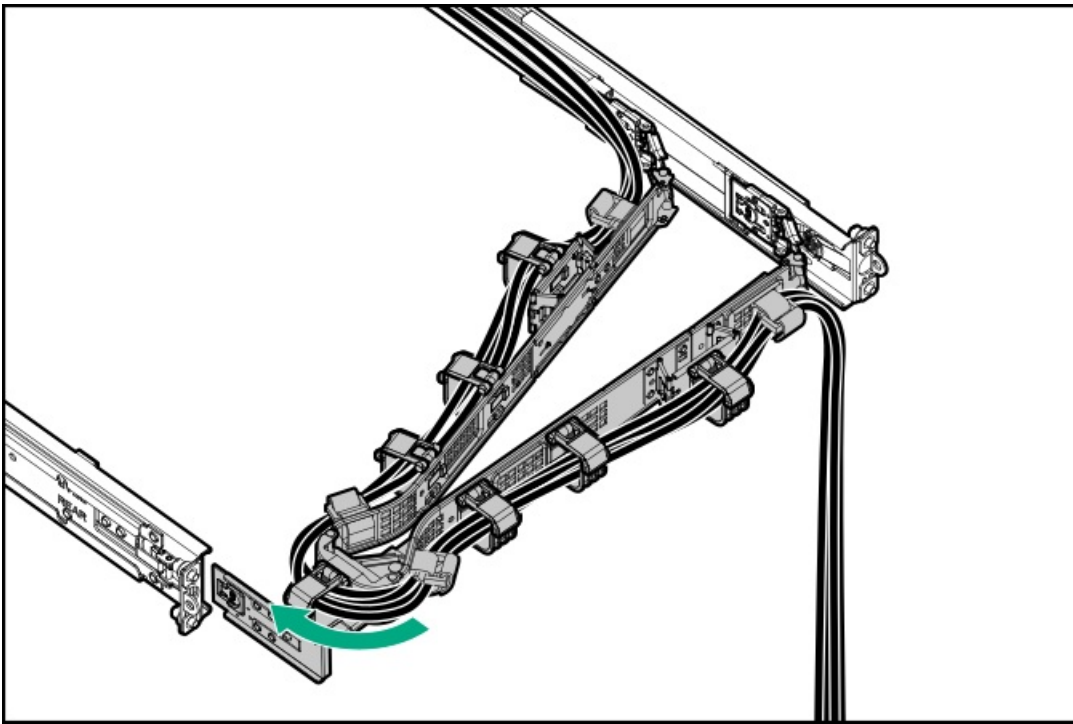
- Drive power cable
- Storage controller cable

15. Install the energy pack retention latch:





16. Install the fan wall.
17. Install the fans.
18. Install the middle cover.
19. Install the access panel.
20. Install the server into the rack.
21. Connect all peripheral cables to the server.
22. Connect the power cords:
  - a. Connect each power cord to the server.
  - b. Connect each power cord to the power source.
23. If installed, close the cable management arm.



24. Power up the server.

## Results

The installation procedure is complete.

## Drive cage options

The server supports the following drive cage options:

- 2 SFF side-by-side drive cage
- 4 SFF drive cage
- E3.S drive cage

To maintain proper system cooling, install the correct fan and heatsink types required for specific drive configurations. For more information, see the product QuickSpecs on the HPE ProLiant DL320 Gen11 Server website:

<https://www.hpe.com/info/quickspecs>

### Subtopics

[Installing the 2 SFF drive cage](#)

[Installing the 4 SFF drive cage](#)

[Installing the E3.S drive cage](#)

## Installing the 2 SFF drive cage

### Prerequisites

Before you perform this procedure, make sure that you have the following items available:

- T-10 Torx screwdriver

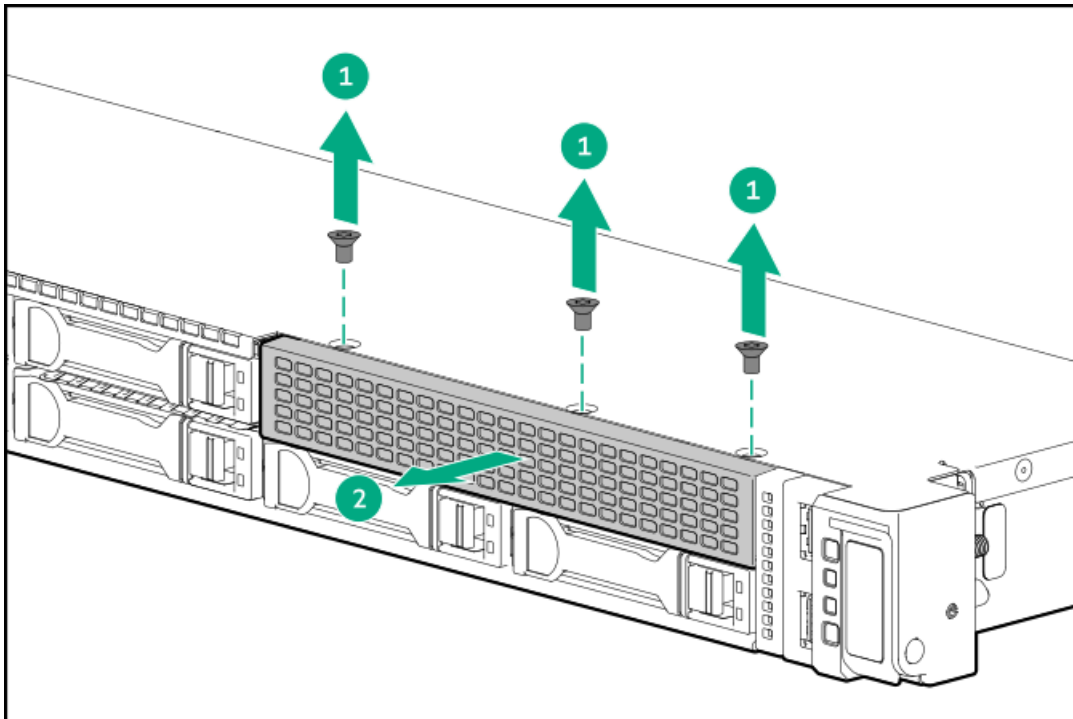


- T-15 Torx screwdriver

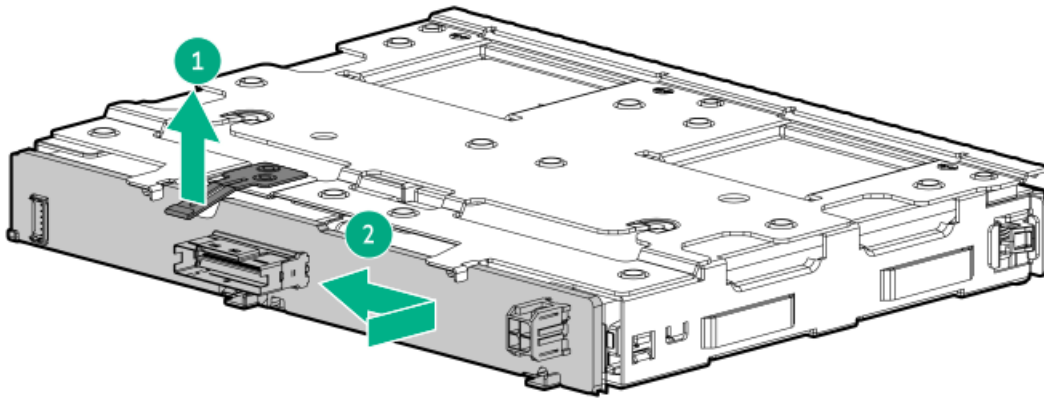
## Procedure

1. If installed, remove the front bezel.
2. Power down the server.
3. If installed, open the cable management arm.
4. Remove all power:
  - a. Disconnect each power cord from the power source.
  - b. Disconnect each power cord from the server.
5. Disconnect all peripheral cables from the server.
6. Remove the server from the rack.
7. Place the server on a flat, level work surface.
8. Remove the access panel.
9. Remove the middle cover.
10. Remove the fans.
11. Remove the fan wall.
12. Remove the universal media bay blank.

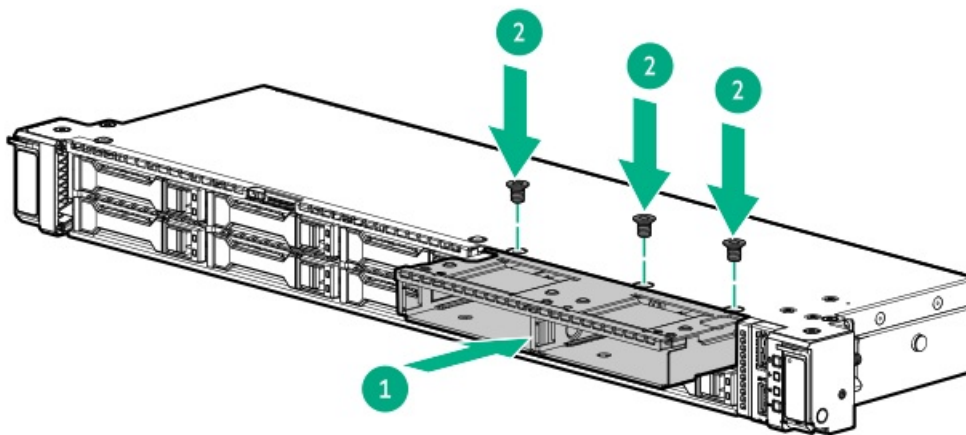
Retain the screws and blank. These screws will be used to secure the new 2 SFF side-by-side drive cage assembly.



13. Install the 2 SFF NVMe drive backplane onto the 2 SFF drive cage.



14. Install the 2 SFF side-by-side drive cage assembly.



15. If you intend to connect the 2 SFF drive backplane to a storage controller option, install it now:

- Type-p storage controller

16. Connect the following cables to the 2 SFF drive backplane:

- Drive power cable
- Storage controller cable

17. Install the drives.

18. Install the fan wall.

19. Install the fans.

20. Install the middle cover.

21. Install the access panel.

22. Install the server into the rack.

23. Connect all peripheral cables to the server.

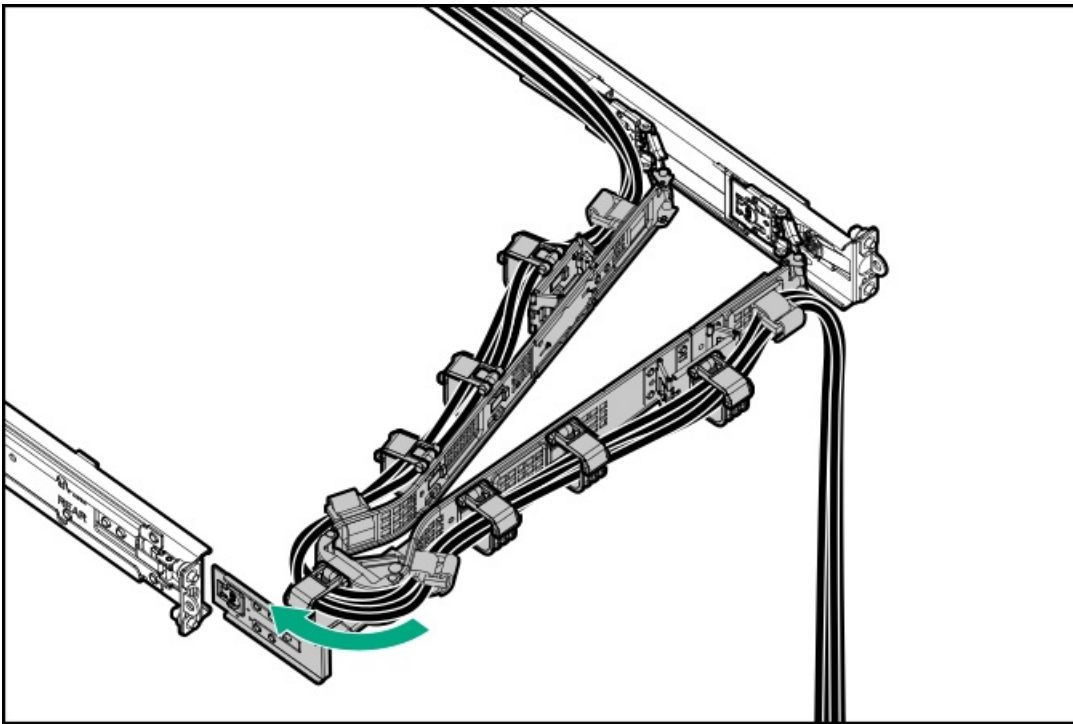
24. Connect the power cords:

- Connect each power cord to the server.
- Connect each power cord to the power source.

25. If installed, close the cable management arm.







26. Power up the server.
27. If removed, install the front bezel.

## Results

The installation procedure is complete.

## Installing the 4 SFF drive cage

### Prerequisites

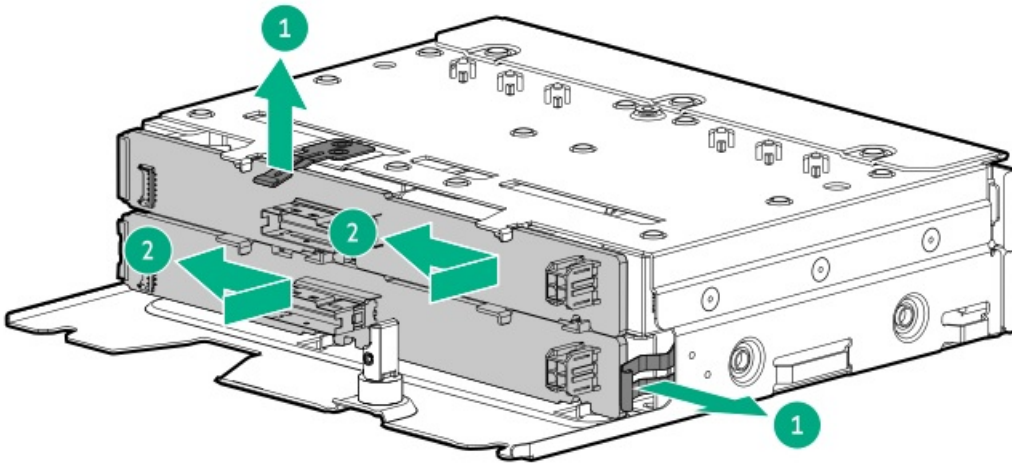
Before you perform this procedure, make sure that you have the following items available:

- T-10 Torx screwdriver
- The components included with the hardware option kit

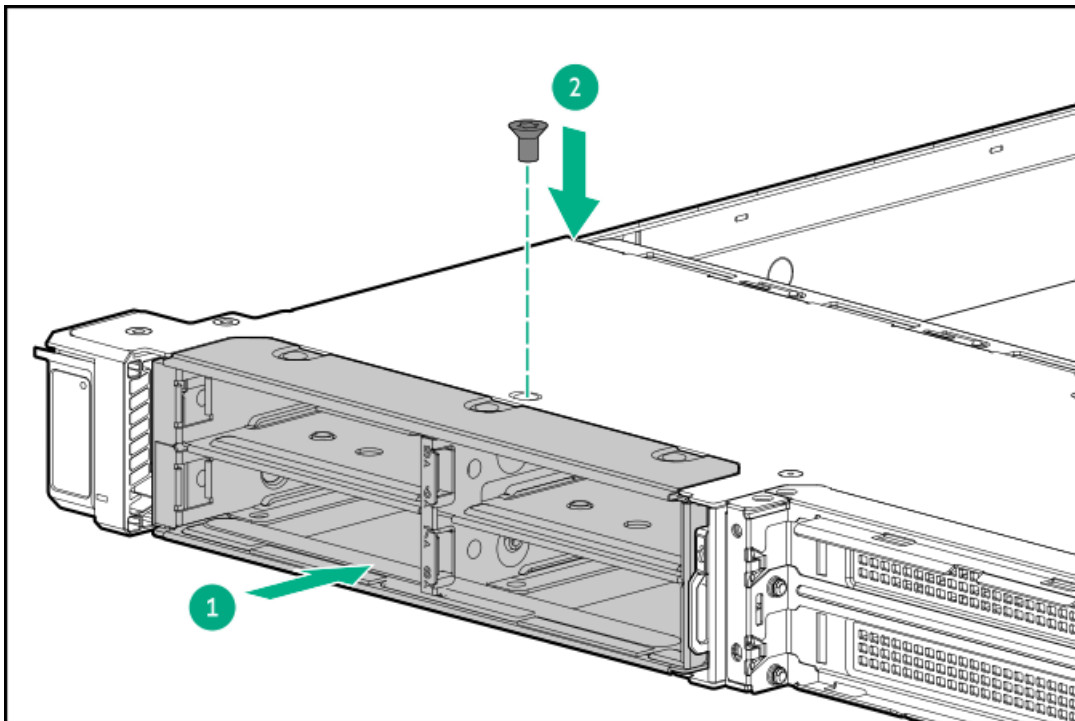
### Procedure

1. If installed, remove the front bezel.
2. Power down the server.
3. If installed, open the cable management arm.
4. Remove all power:
  - a. Disconnect each power cord from the power source.
  - b. Disconnect each power cord from the server.
5. Disconnect all peripheral cables from the server.
6. Remove the server from the rack.
7. Place the server on a flat, level work surface.
8. Remove the access panel.

9. Remove the middle cover.
10. Install the 2 SFF drive backplanes onto the drive cage.

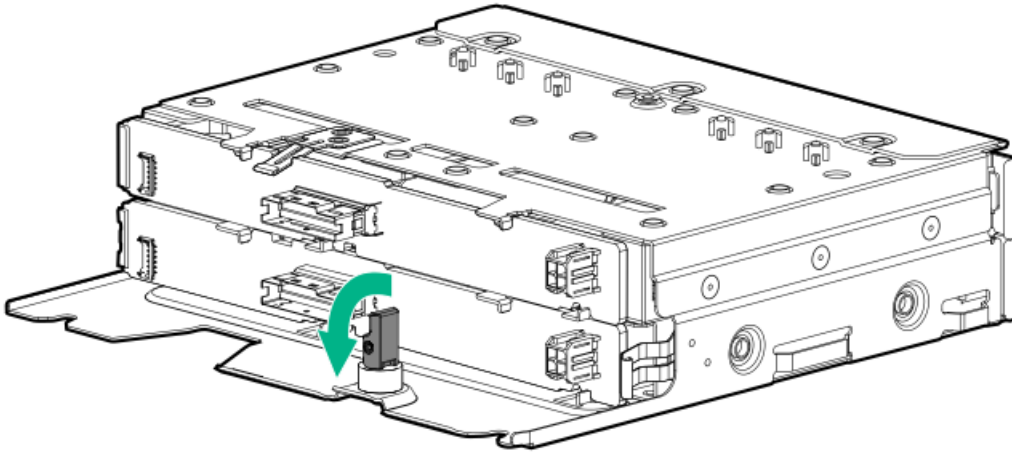


11. Connect the drive cables to the drive backplanes:
  - Drive power cable
  - Storage controller cables
12. Install the 4 SFF drive cage.

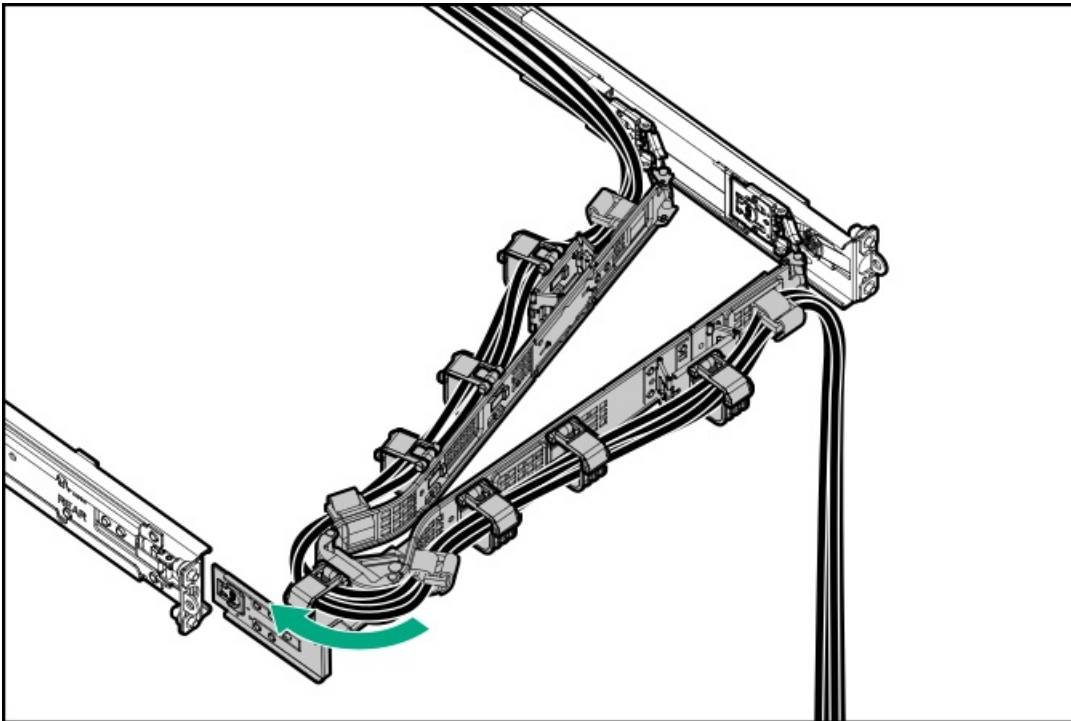


13. Lock the drive cage.





14. Install the drives.
15. Install the middle cover.
16. Install the access panel.
17. Install the server into the rack.
18. Connect all peripheral cables to the server.
19. Connect the power cords:
  - a. Connect each power cord to the server.
  - b. Connect each power cord to the power source.
20. If installed, close the cable management arm.



21. Power up the server.
22. If removed, install the front bezel.

## Results

The installation procedure is complete.



## Installing the E3.S drive cage

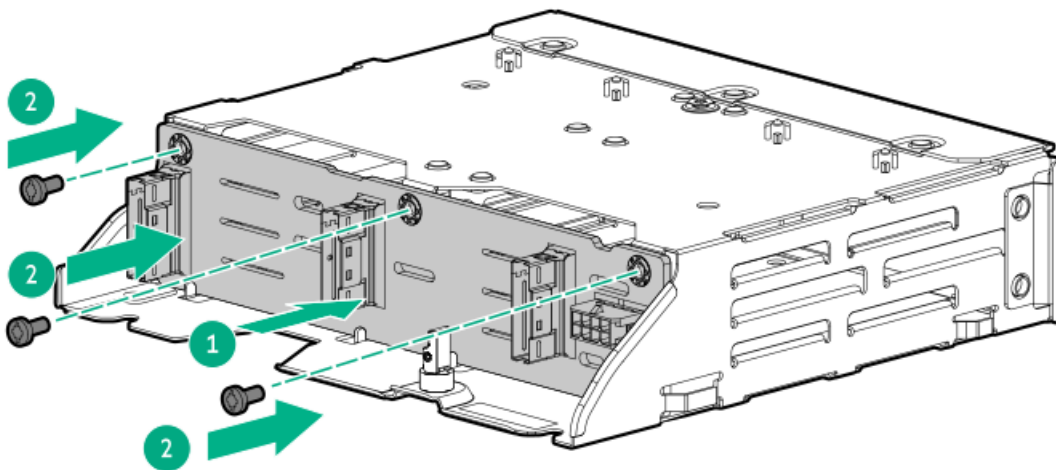
### Prerequisites

Before you perform this procedure, make sure that you have the following items available:

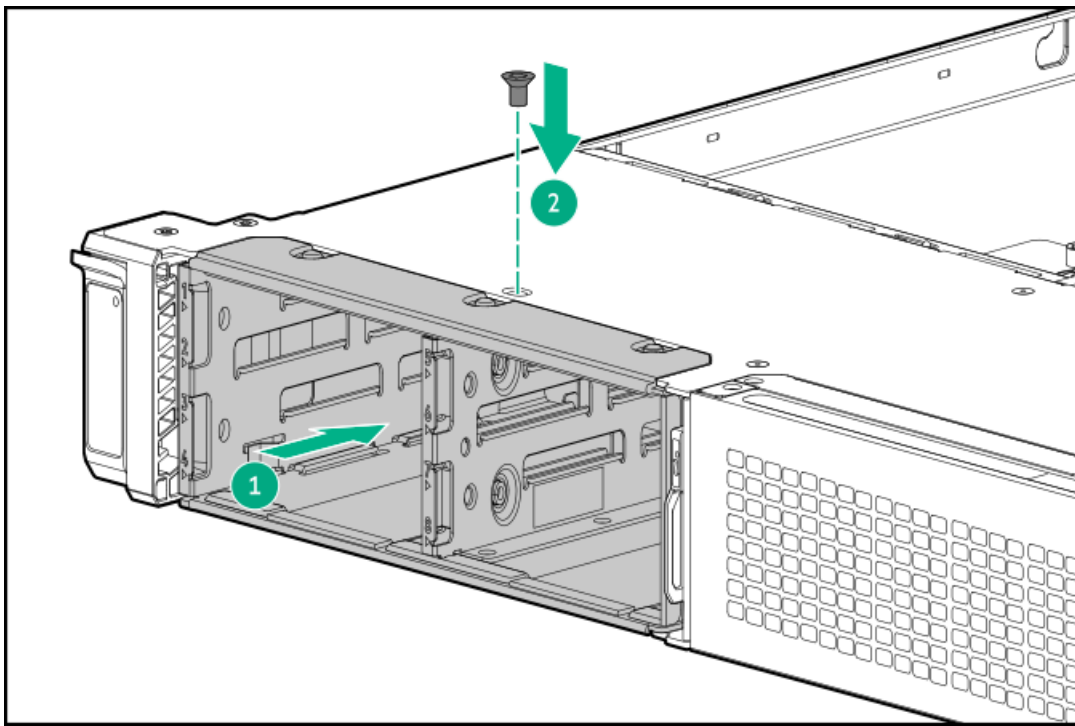
- T-10 Torx screwdriver
- T-15 Torx screwdriver
- The components included with the hardware option kit

### Procedure

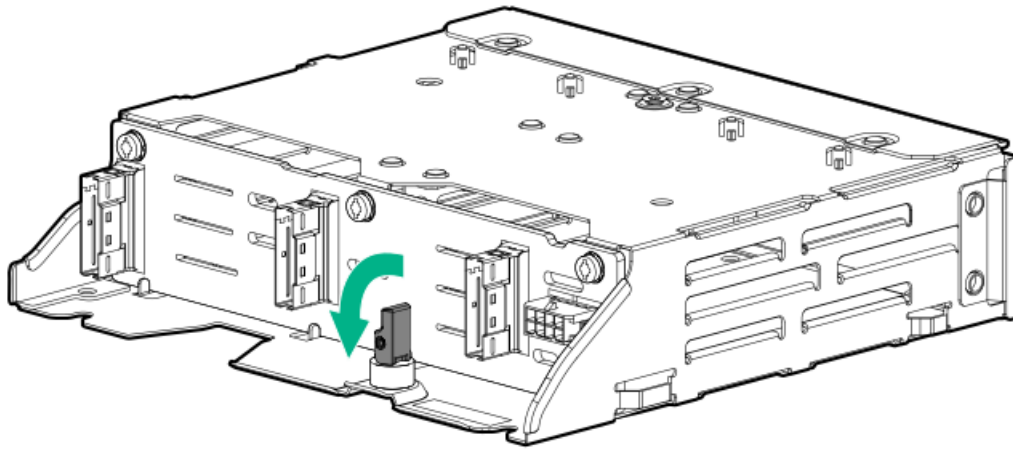
1. If installed, remove the front bezel.
2. Power down the server.
3. If installed, open the cable management arm.
4. Remove all power:
  - a. Disconnect each power cord from the power source.
  - b. Disconnect each power cord from the server.
5. Disconnect all peripheral cables from the server.
6. Remove the server from the rack.
7. Place the server on a flat, level work surface.
8. Remove the access panel.
9. Remove the middle cover.
10. Install the E3.S drive backplane onto the drive cage.



11. Connect the drive cables to the drive backplanes:
  - Drive power cable
  - Storage controller cables
12. Install the E3.S drive cage.



13. Lock the drive cage.

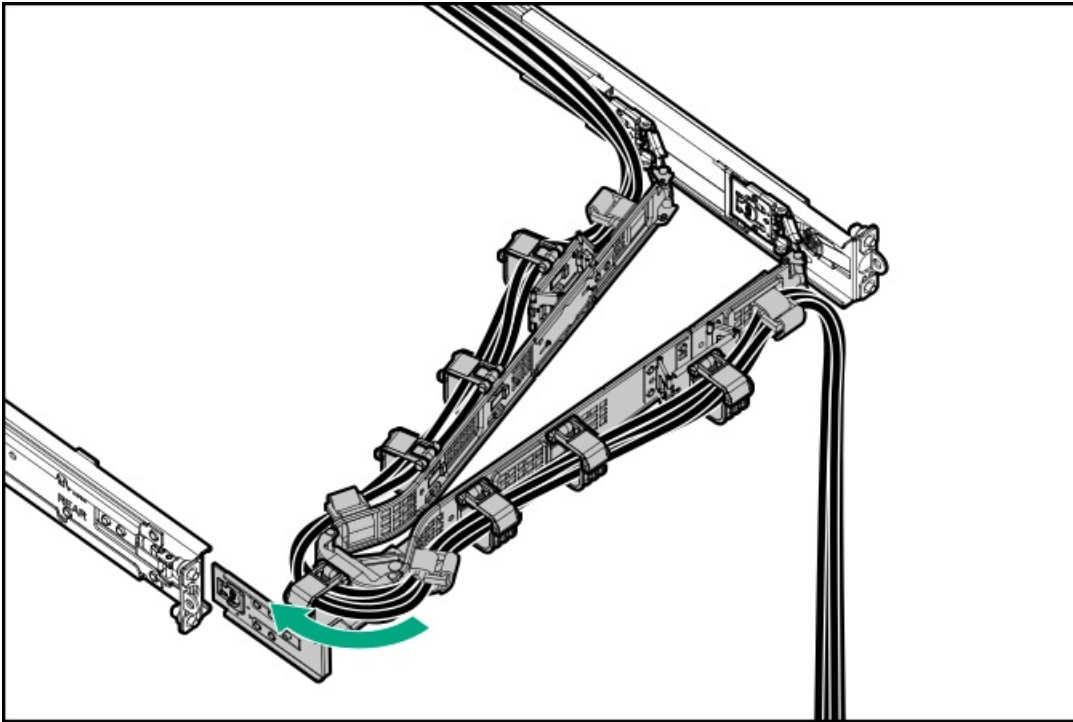


14. Install the drives.
15. Install the middle cover.
16. Install the access panel.
17. Install the server into the rack.
18. Connect all peripheral cables to the server.
19. Connect the power cords:
  - a. Connect each power cord to the server.



b. Connect each power cord to the power source.

20. If installed, close the cable management arm.



21. Power up the server.

22. If removed, install the front bezel.

## Results

The installation procedure is complete.

## Optical drive option

### Subtopics

[Installing an optical drive in the SFF drive chassis](#)

[Installing an optical drive in the LFF drive chassis](#)

## Installing an optical drive in the SFF drive chassis

### Prerequisites

Before you perform this procedure, make sure that you have the following items available:

- T-10 Torx screwdriver
- Phillips No. 1 screwdriver

### About this task

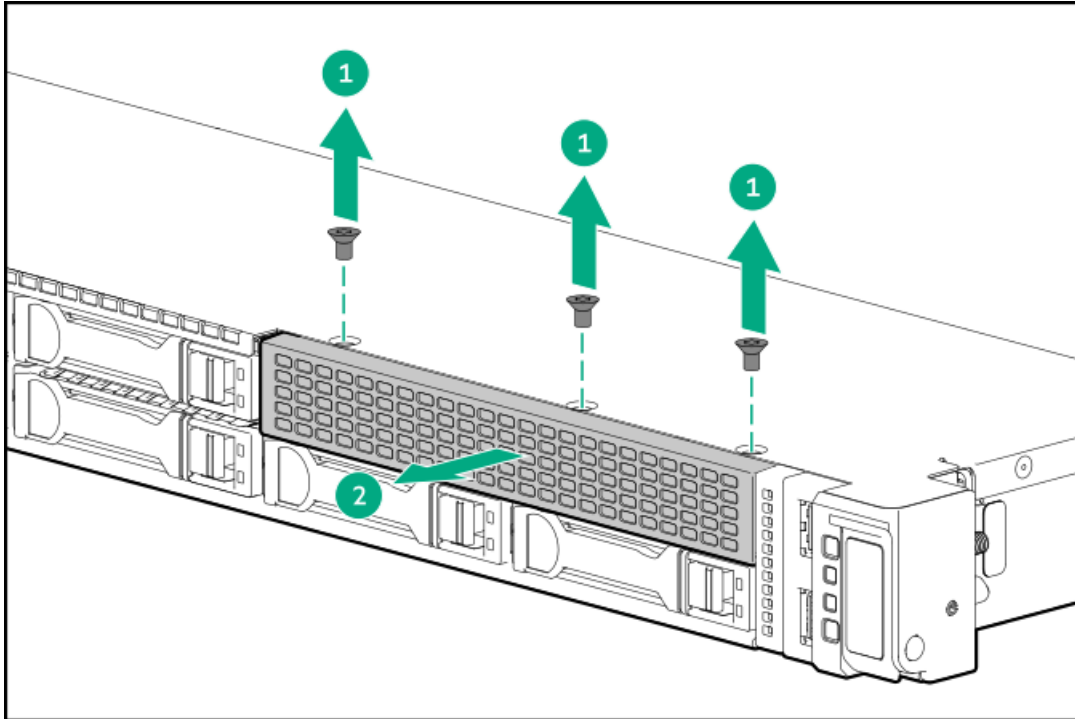


**CAUTION:** A discharge of static electricity from a finger or other conductor might damage system boards or other static-sensitive devices. To prevent damage, observe [antistatic precautions](#).

## Procedure

1. If installed, remove the front bezel.
2. Power down the server.
3. If installed, open the cable management arm.
4. Remove all power:
  - a. Disconnect each power cord from the power source.
  - b. Disconnect each power cord from the server.
5. Disconnect all peripheral cables from the server.
6. Remove the server from the rack.
7. Place the server on a flat, level work surface.
8. Remove the access panel.
9. Remove the middle cover.
10. Remove the universal media bay blank.

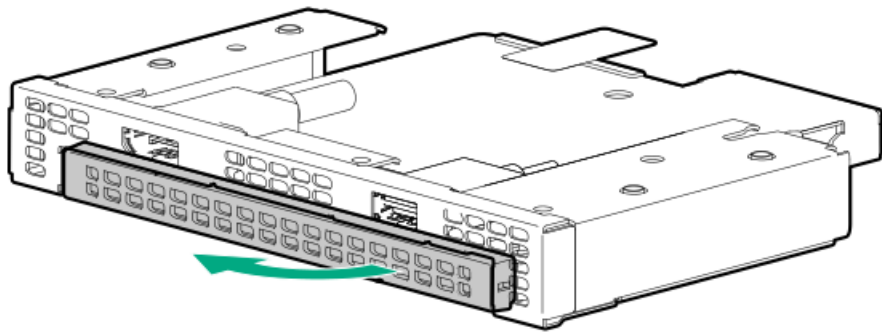
Retain the screws and blank. These screws will be used to secure the new optical drive cage.



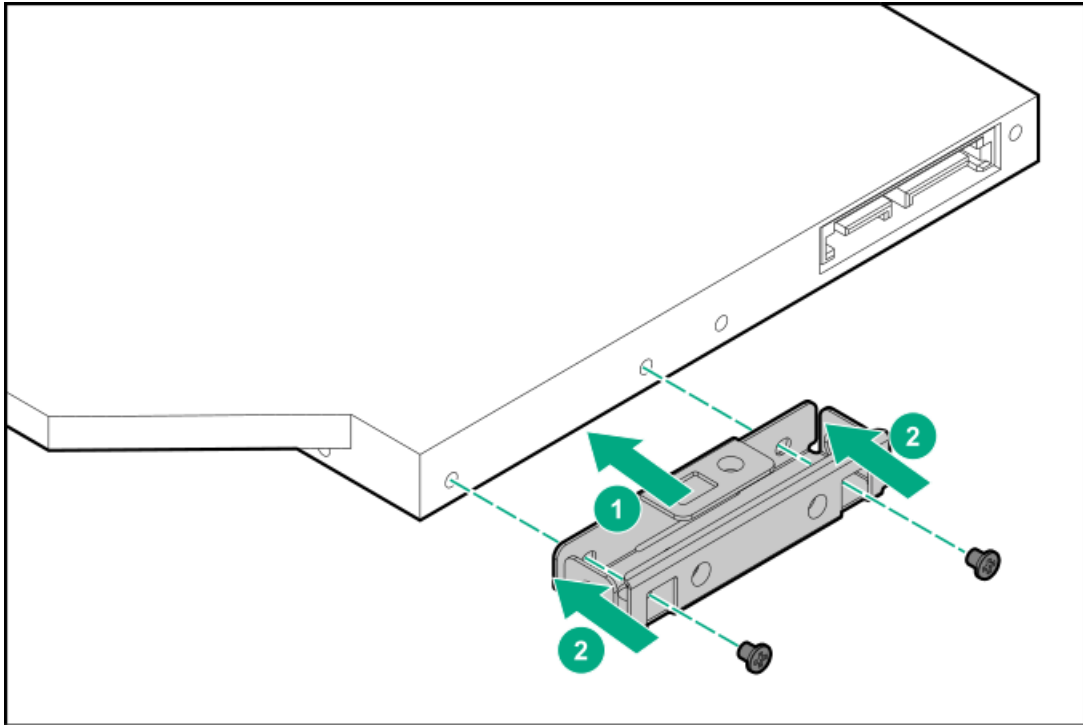
11. Remove the optical drive bay blank from the drive cage.

Retain the blank for future use.

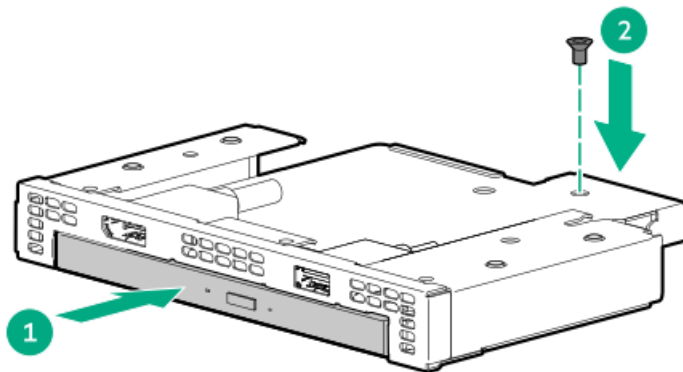




12. Install the optical drive bracket.



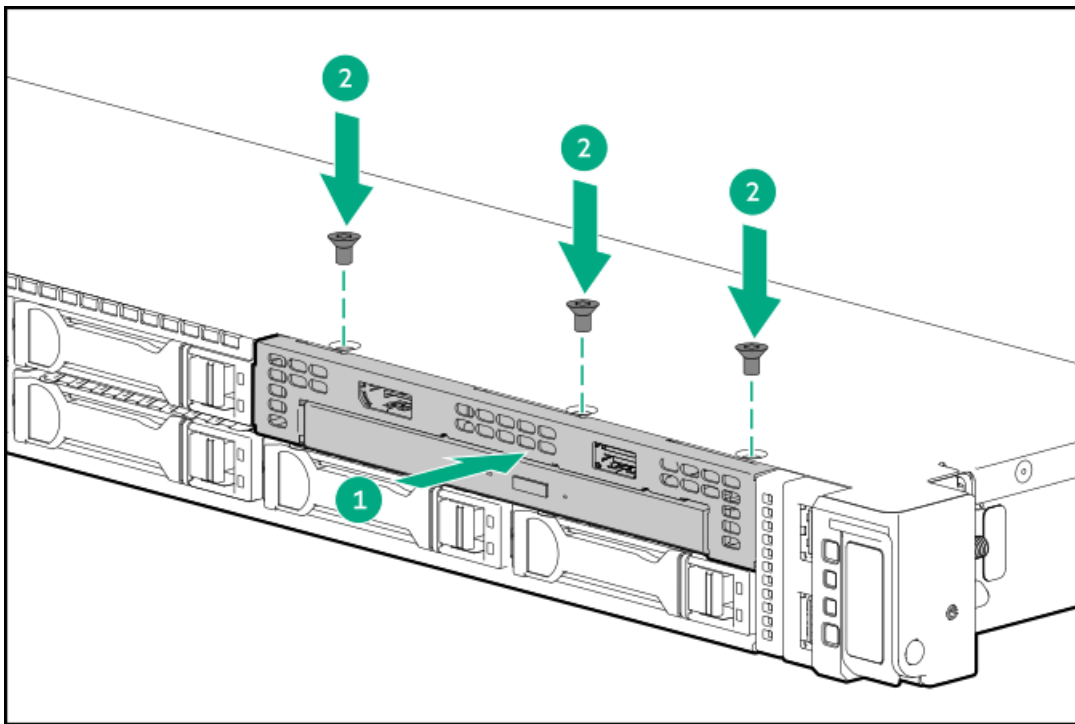
13. Install the optical drive in the optical drive cage.



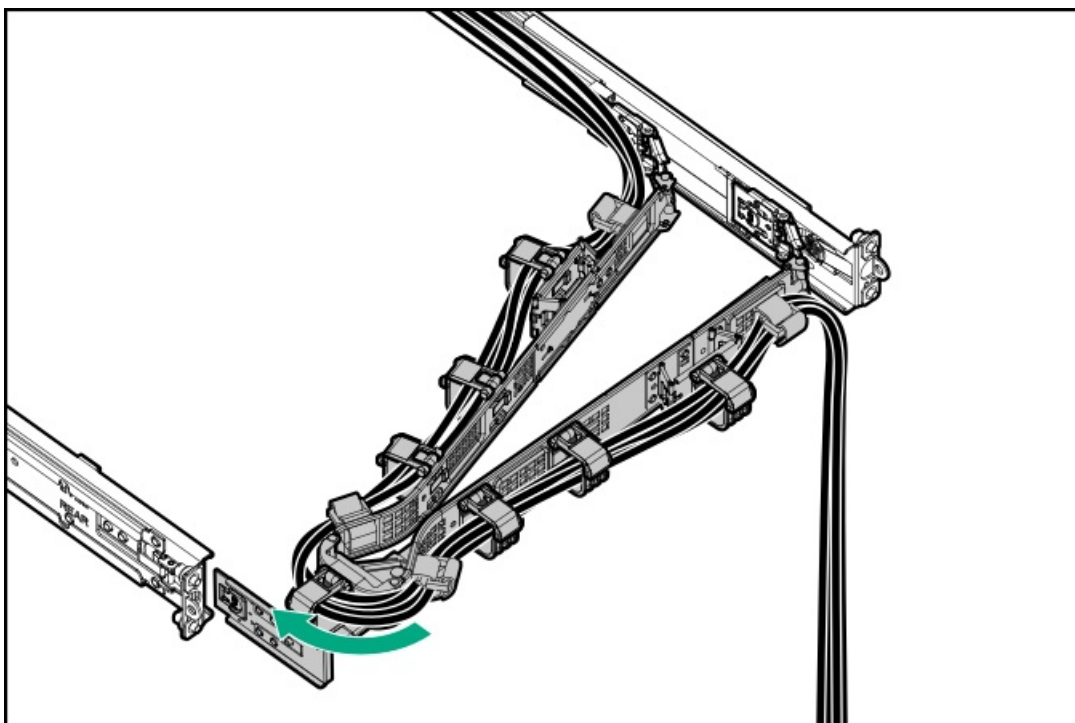
14. Install the optical drive cage in the universal media bay.







15. Cable the optical drive.
16. Install the middle cover.
17. Install the access panel.
18. Install the server into the rack.
19. Connect all peripheral cables to the server.
20. Connect the power cords:
  - a. Connect each power cord to the server.
  - b. Connect each power cord to the power source.
21. If installed, close the cable management arm.



22. Power up the server.
23. If removed, install the front bezel.

## Results

The installation procedure is complete.

## Installing an optical drive in the LFF drive chassis

### Prerequisites

Before you perform this procedure, make sure that you have the following items available:

- T-10 Torx screwdriver
- Phillips No. 1 screwdriver
- The components included with the hardware option kit
- LFF optical cable option kit
- An optical drive

### About this task



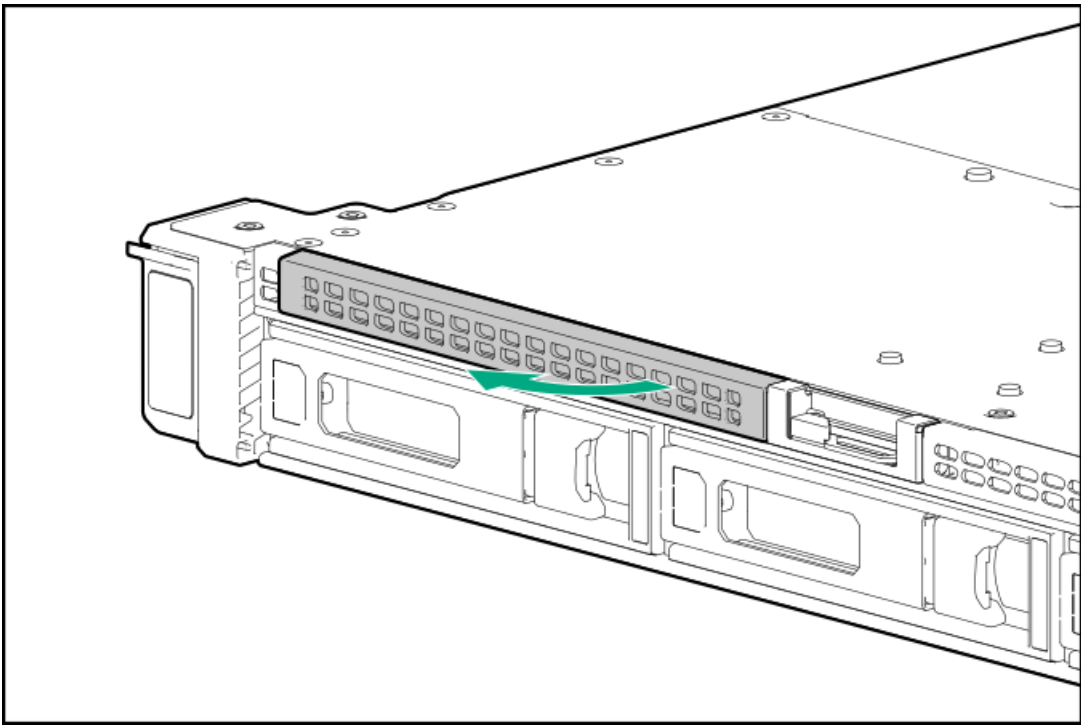
**CAUTION:** A discharge of static electricity from a finger or other conductor might damage system boards or other static-sensitive devices. To prevent damage, observe [antistatic precautions](#).

### Procedure

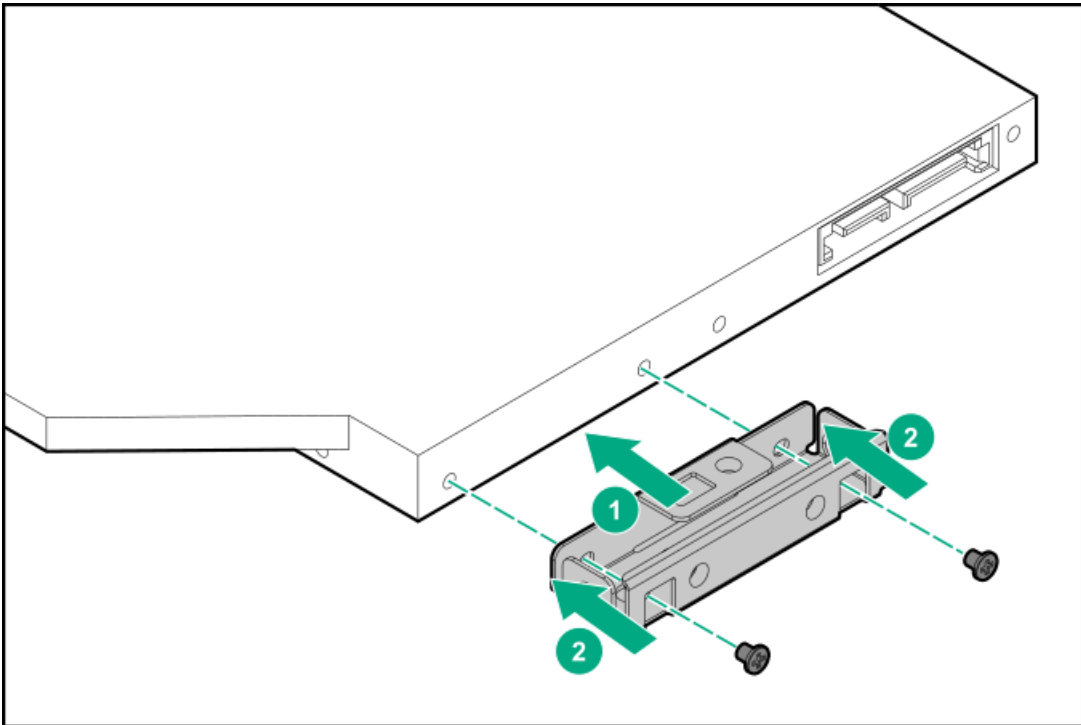
1. If installed, remove the front bezel.
2. Power down the server.
3. If installed, open the cable management arm.
4. Remove all power:
  - a. Disconnect each power cord from the power source.
  - b. Disconnect each power cord from the server.
5. Disconnect all peripheral cables from the server.
6. Remove the server from the rack.
7. Place the server on a flat, level work surface.
8. Remove the access panel.
9. Remove the middle cover.
10. Remove the optical drive bay blank.

Retain the drive bay blank for future use.

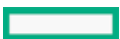


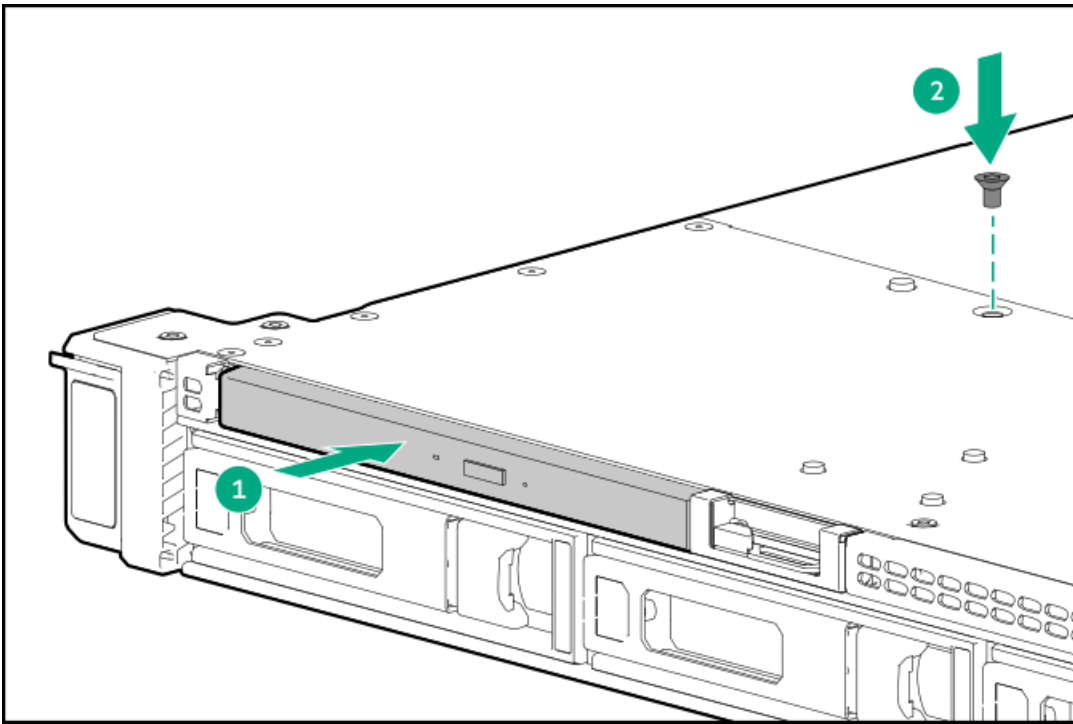


11. Install the optical drive bracket.

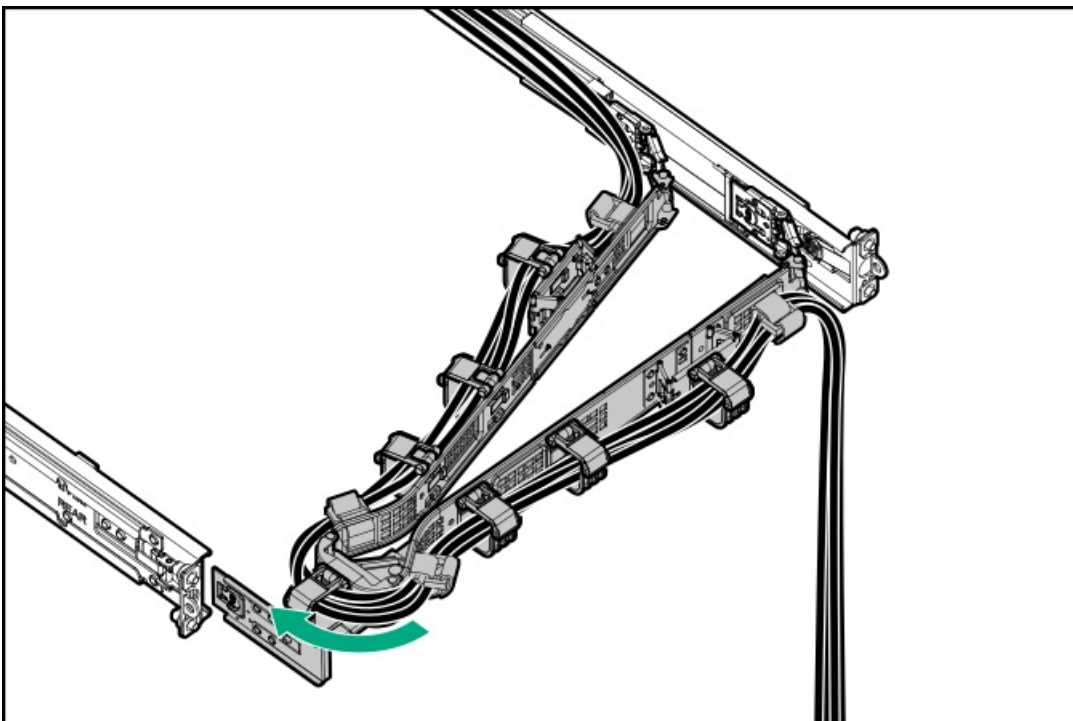


12. Install the optical drive.





13. Cable the optical drive.
14. Install the middle cover.
15. Install the access panel.
16. Install the server into the rack.
17. Connect all peripheral cables to the server.
18. Connect the power cords:
  - a. Connect each power cord to the server.
  - b. Connect each power cord to the power source.
19. If installed, close the cable management arm.



20. [Power up the server.](#)
21. If removed, [install the front bezel.](#)

## Results

The installation procedure is complete.

## Display port option

### Subtopics

[Installing an 8 SFF display port/USB/optical blank option](#)

[Installing the 4 LFF display port/USB option](#)

## Installing an 8 SFF display port/USB/optical blank option

### Prerequisites

Before you perform this procedure, make sure that you have the following items available:

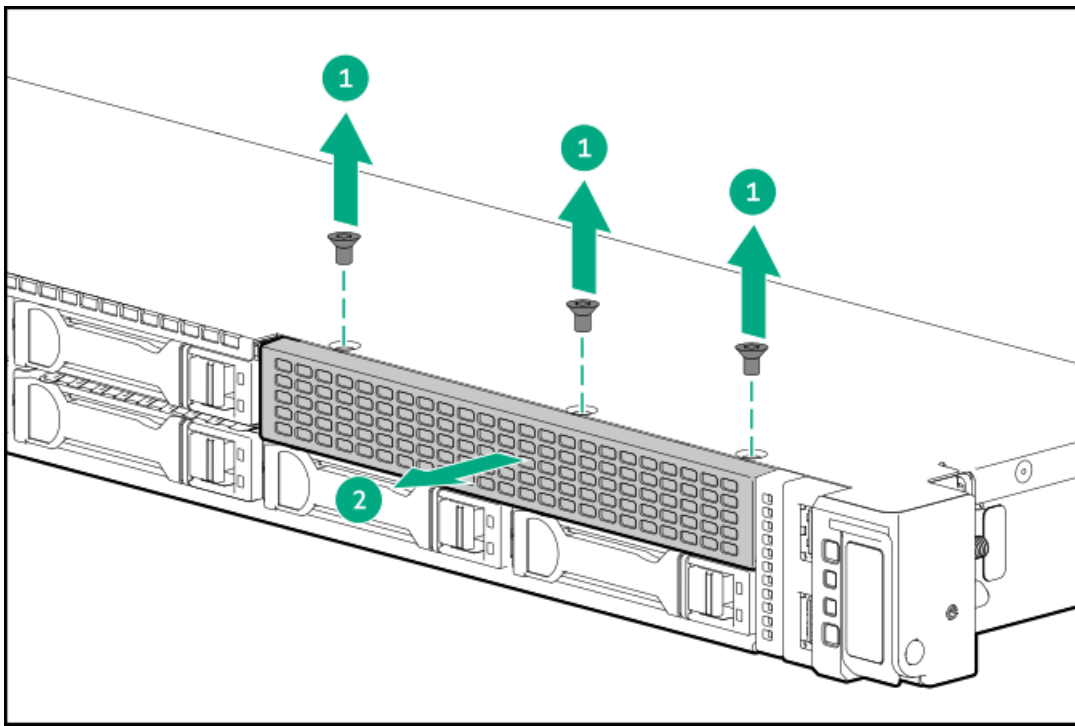
- T-10 Torx screwdriver
- Phillips No. 1 screwdriver

### Procedure

1. If installed, [remove the front bezel.](#)
2. [Power down the server.](#)
3. If installed, [open the cable management arm.](#)
4. Remove all power:
  - a. Disconnect each power cord from the power source.
  - b. Disconnect each power cord from the server.
5. Disconnect all peripheral cables from the server.
6. [Remove the server from the rack.](#)
7. Place the server on a flat, level work surface.
8. [Remove the access panel.](#)
9. [Remove the middle cover.](#)
10. Remove the universal media bay blank.

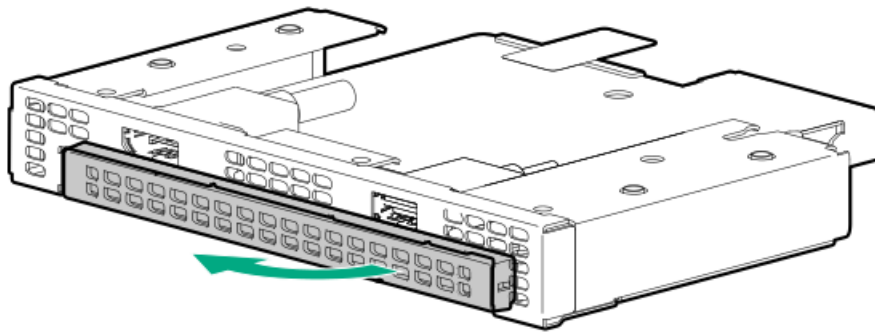
Retain the screws and blank. These screws will be used to secure the new optical drive cage.





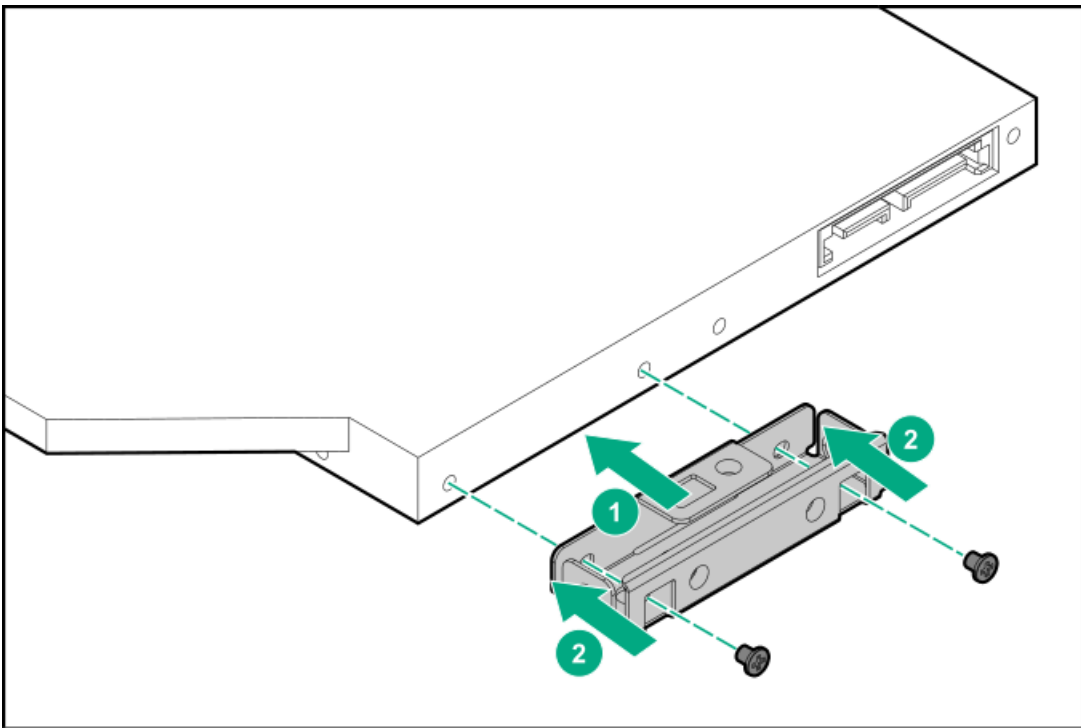
11. Remove the optical drive bay blank from the drive cage.

Retain the blank for future use.

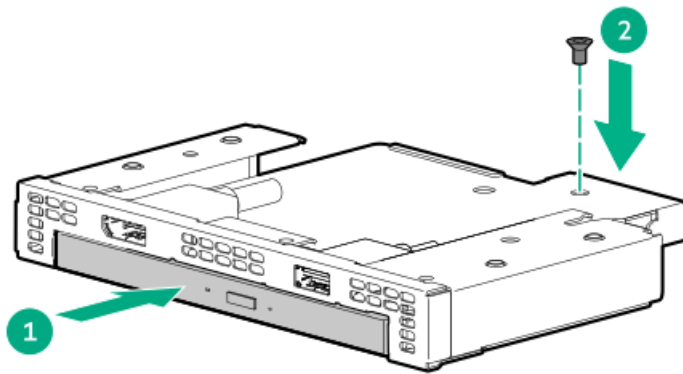


12. Install the optical drive bracket.



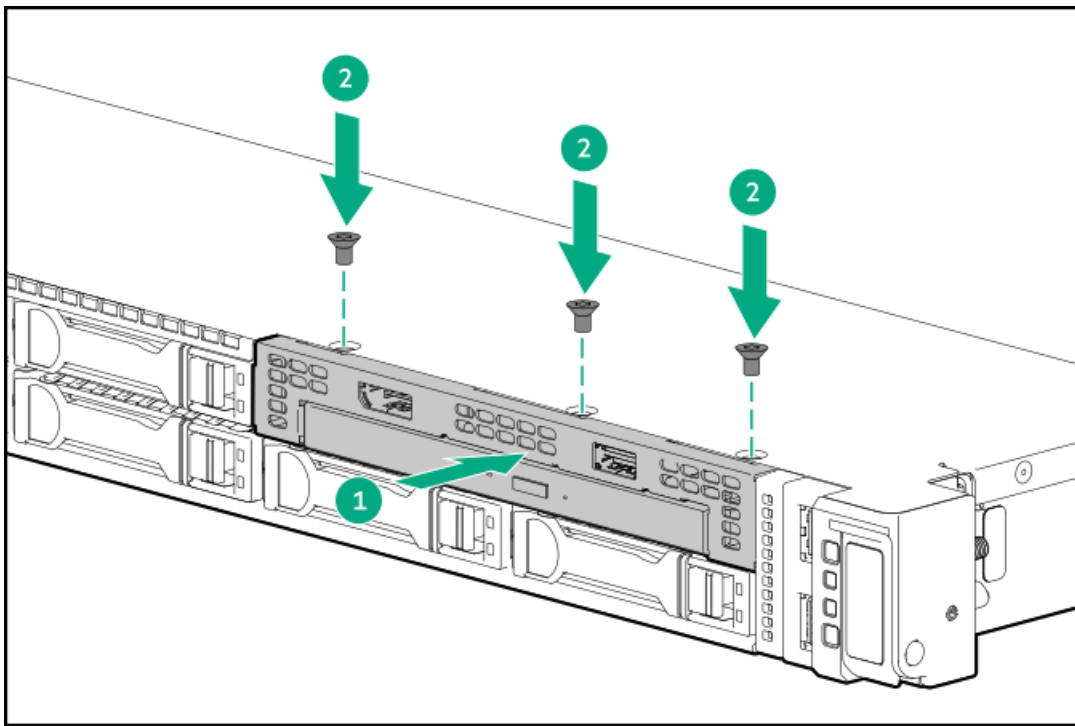


13. Install the optical drive in the optical drive cage.

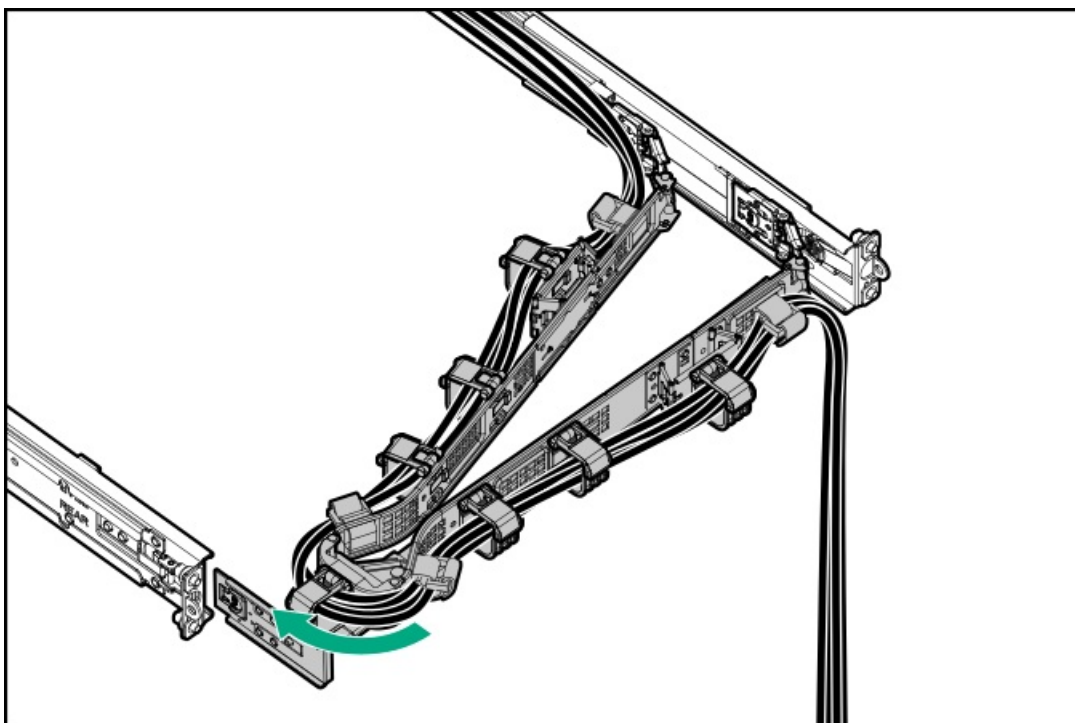


14. Install the optical drive cage in the universal media bay.





15. Cable the option.
16. Install the middle cover.
17. Install the access panel.
18. Install the server into the rack.
19. Connect all peripheral cables to the server.
20. Connect the power cords:
  - a. Connect each power cord to the server.
  - b. Connect each power cord to the power source.
21. If installed, close the cable management arm.





22. Power up the server.
23. If removed, install the front bezel.

## Results

The installation procedure is complete.

## Installing the 4 LFF display port/USB option

### Prerequisites

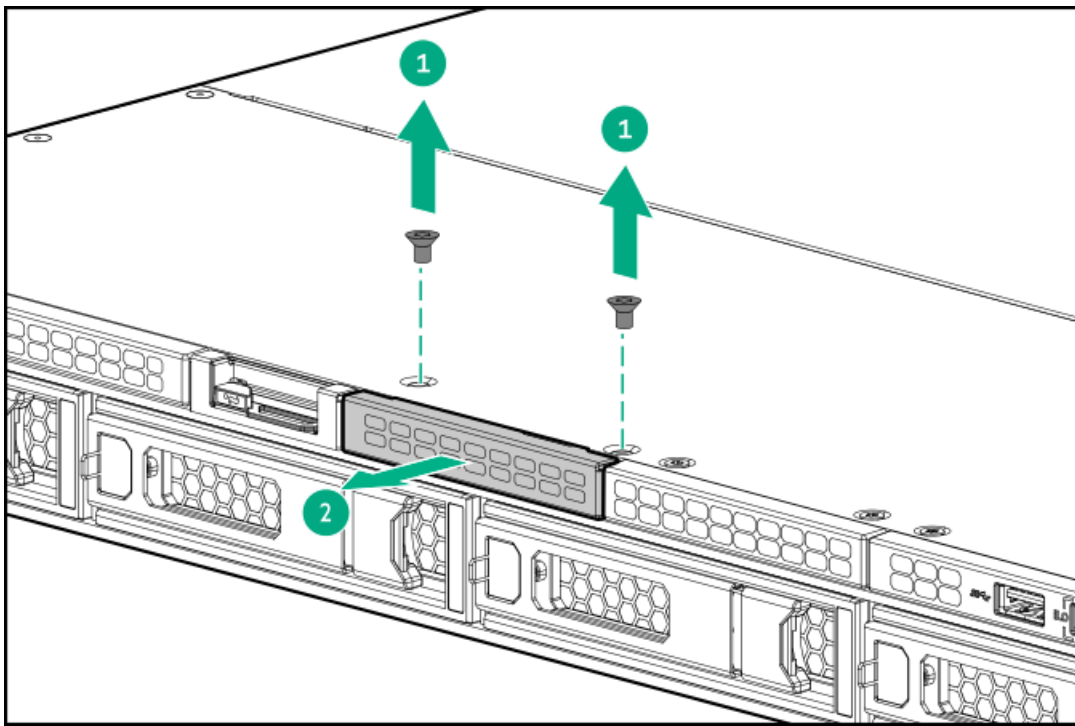
Before you perform this procedure, make sure that you have a T-10 Torx screwdriver available.

### Procedure

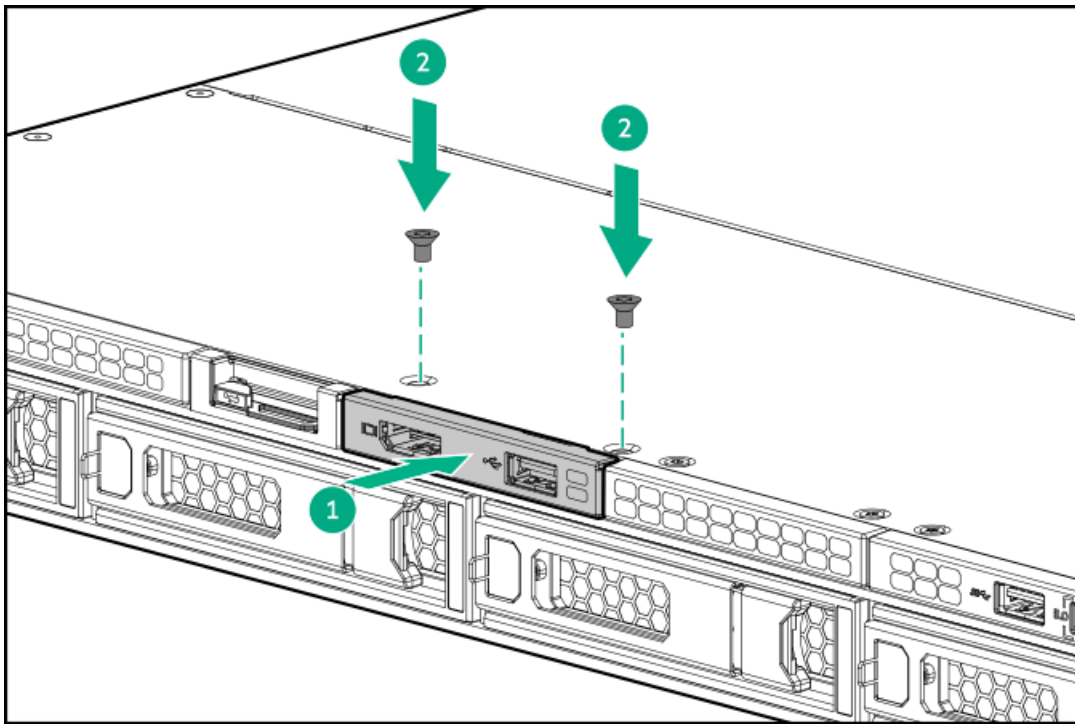
1. If installed, remove the front bezel.
2. Power down the server.
3. If installed, open the cable management arm.
4. Remove all power:
  - a. Disconnect each power cord from the power source.
  - b. Disconnect each power cord from the server.
5. Disconnect all peripheral cables from the server.
6. Remove the server from the rack.
7. Place the server on a flat, level work surface.
8. Remove the access panel.
9. Remove the middle cover.
10. Remove the front USB and DisplayPort blank.

Retain the screws. These screws will be used to secure the front USB and DisplayPort assembly.





11. Install the front USB and DisplayPort assembly.



12. Cable the option.

13. Install the middle cover.

14. Install the access panel.

15. Install the server into the rack.

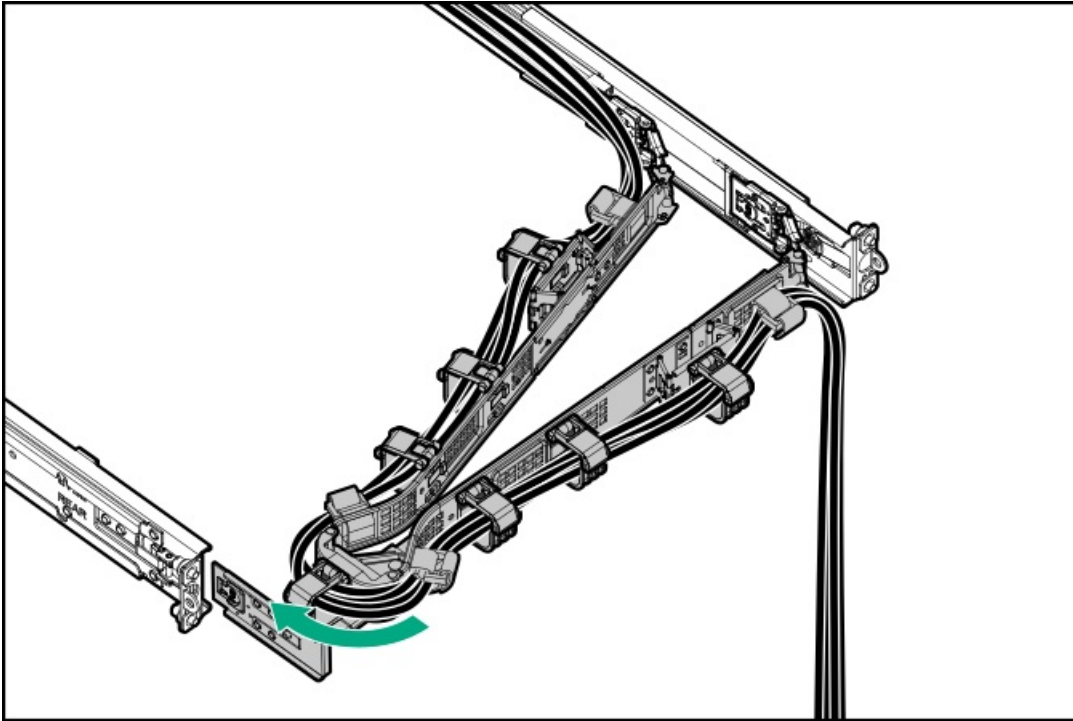
16. Connect all peripheral cables to the server.

17. Connect the power cords:

- a. Connect each power cord to the server.
- b. Connect each power cord to the power source.



18. If installed, close the cable management arm.



19. Power up the server.
20. If removed, install the front bezel.

## Results

The installation procedure is complete.

## PCIe riser option

### Subtopics

[Installing a riser board in the secondary riser cage](#)

## Installing a riser board in the secondary riser cage

### Prerequisites

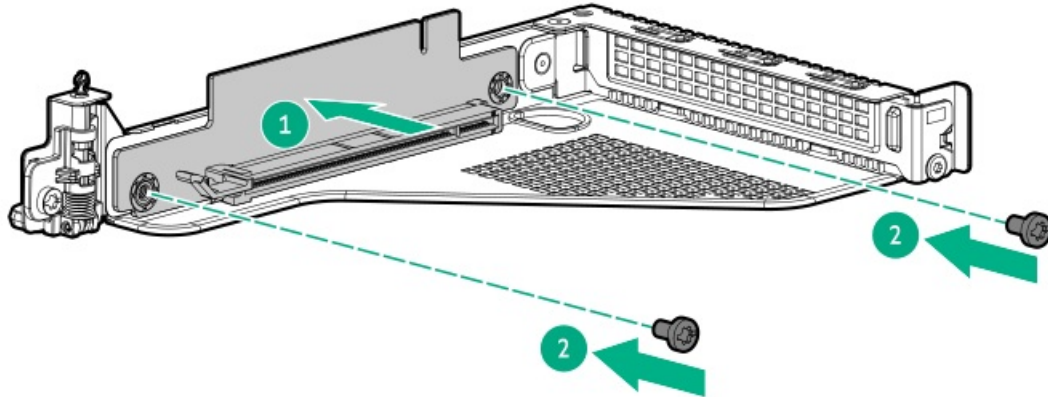
Before you perform this procedure, make sure that you have a T-15 Torx screwdriver available.

### Procedure

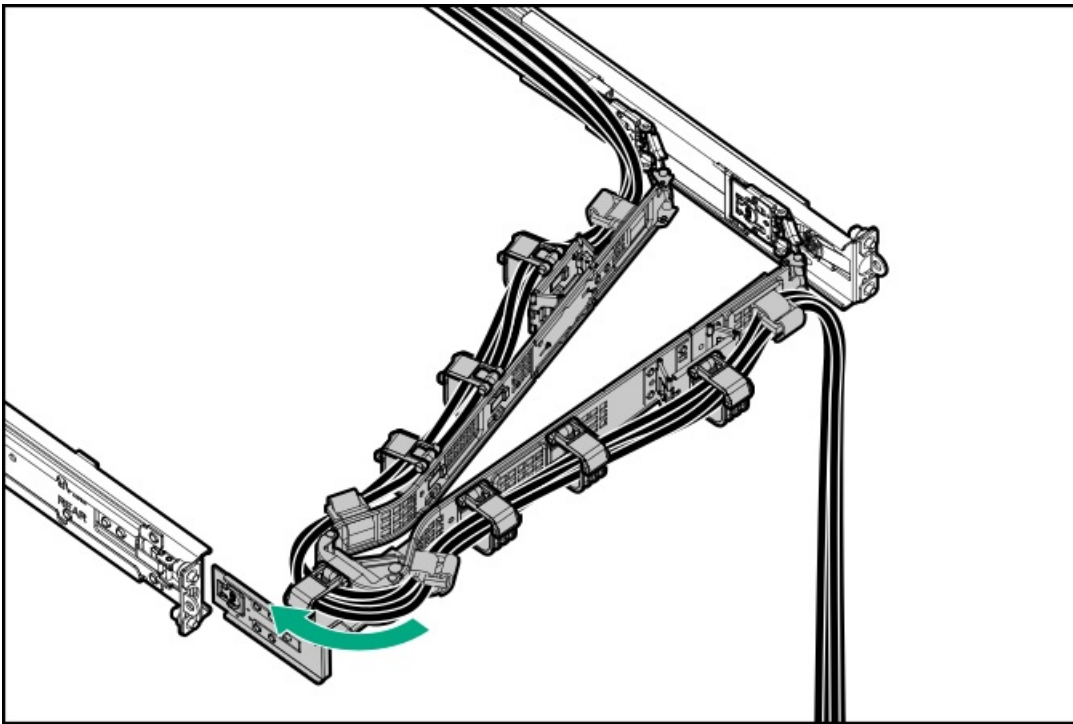
1. Power down the server.
2. If installed, open the cable management arm.
3. Remove all power:
  - a. Disconnect each power cord from the power source.
  - b. Disconnect each power cord from the server.



4. Disconnect all peripheral cables from the server.
5. Remove the server from the rack.
6. Place the server on a flat, level work surface.
7. Remove the access panel.
8. Remove the secondary riser cage.
9. Install the secondary riser board:
  - a. Attach the riser board to the cage.
  - b. Install the riser board screws.



10. Install the secondary riser cage.
11. Connect the cables to the system board.
12. Install the access panel.
13. Install the server into the rack.
14. Connect all peripheral cables to the server.
15. Connect the power cords:
  - a. Connect each power cord to the server.
  - b. Connect each power cord to the power source.
16. If installed, close the cable management arm.



17. [Power up the server.](#)

## Results

The installation procedure is complete.

## Power supply options

Depending on the installed options and the regional location where the server was purchased, the server can be configured with one of the supported [power supplies](#).

### Subtopics

[Power supply warnings and cautions](#)

[DC power supply warnings and cautions](#)

[DC power supply wire colors](#)

[Connecting a DC power cable to a DC power source](#)

[Installing a DC power supply](#)

[Installing an AC power supply](#)

## Power supply warnings and cautions



**WARNING:**

To reduce the risk of electric shock or damage to the equipment:

- Do not disable the power cord grounding plug. The grounding plug is an important safety feature.
- Plug the power cord into a grounded (earthed) electrical outlet that is easily accessible at all times.
- Unplug the power cord from the power supply to disconnect power to the equipment.
- Do not route the power cord where it can be walked on or pinched by items placed against it. Pay particular attention to the plug, electrical outlet, and the point where the cord extends from the server.



**WARNING:** To reduce the risk of injury from electric shock hazards, do not open power supplies. Refer all maintenance, upgrades, and servicing to qualified personnel.



**CAUTION:** Mixing different types of power supplies in the same server might:

- Limit or disable some power supply features including support for power redundancy.
- Cause the system to become unstable and might shut down.

To ensure access to all available features, all power supplies in the same server should have the same output and efficiency ratings. Verify that all power supplies have the same part number and label color.

## DC power supply warnings and cautions



**WARNING:** To reduce the risk of electric shock or energy hazards:

- This equipment must be installed by trained service personnel.
- Connect the equipment to a reliably grounded secondary circuit source. A secondary circuit has no direct connection to a primary circuit and derives its power from a transformer, converter, or equivalent isolation device.
- The branch circuit overcurrent protection must be rated 27 A.



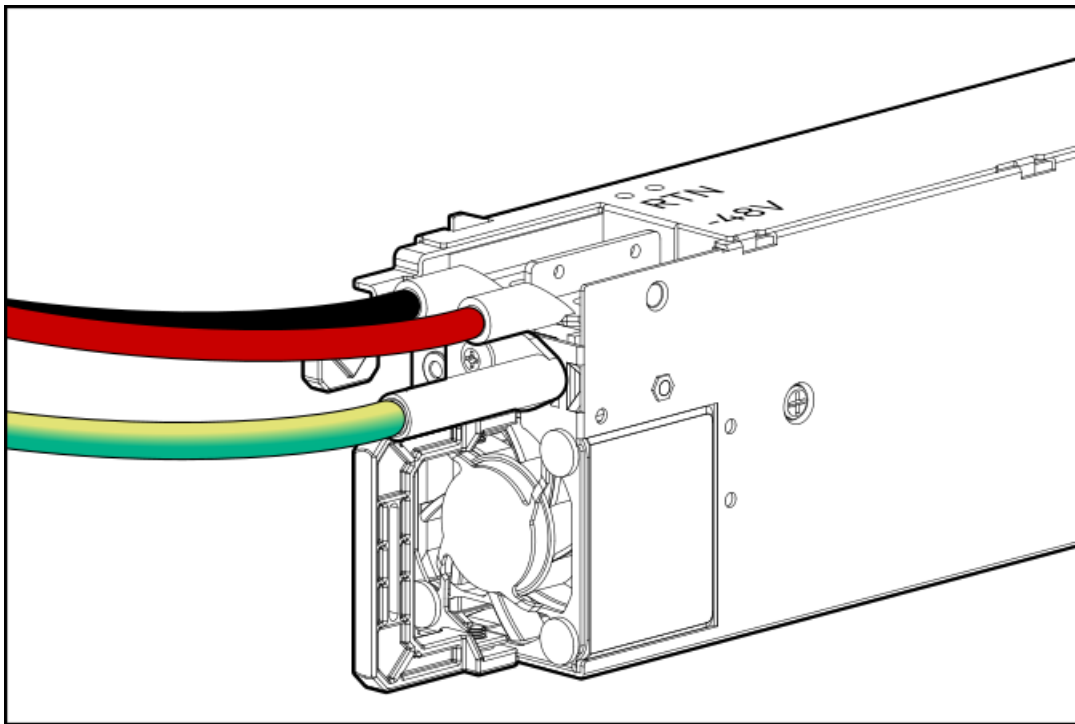
**WARNING:** To reduce the risk of electric shock, be sure that the cable grounding kit is properly installed and connected to a suitable protective earth terminal before connecting the power source to the rack.



**CAUTION:** This equipment is designed to permit the connection of the earthed conductor of the DC supply circuit to the earthing conductor at the equipment. If this connection is made, all the following must be met:

- This equipment must be connected directly to the DC supply system earthing electrode conductor or to a bonding jumper from an earthing terminal bar or bus to which the DC supply system earthing electrode conductor is connected.
- This equipment must be located in the same immediate area (such as adjacent cabinets) as any other equipment that has a connection between the earthed conductor of the same DC supply circuit and the earthing conductor, and also the point of earthing of the DC system. The DC system must be earthed elsewhere.
- The DC supply source is to be located within the same premises as the equipment.
- Switching or disconnecting devices must not be in the earthed circuit conductor between the DC source and the point of connection of the earthing electrode conductor.

## DC power supply wire colors



| Wire color     | Description | Wire slot     |
|----------------|-------------|---------------|
| Red            | Line wire   | -48V          |
| Black          | Return wire | Return        |
| Green + Yellow | Ground wire | Safety ground |

## Connecting a DC power cable to a DC power source

### Prerequisites



Before you perform this procedure, make sure that you have the following items available:

- Electrical wire cutter
- Hand crimp tool

## About this task



### WARNING:

To reduce the risk of electric shock or energy hazards:

- This equipment must be installed by trained service personnel and in accordance with local and regional electric codes and regulations
- Connect the equipment to a reliably grounded secondary circuit source. A secondary circuit has no direct connection to a primary circuit and derives its power from a transformer, converter, or equivalent isolation device.
- The overcurrent protection for the DC source must not exceed 45 A.



### WARNING:

When installing a DC power supply, the ground wire must be connected before the positive or negative leads.



### WARNING:

Remove power from the power supply before performing any installation steps or maintenance on the power supply.



### CAUTION:

The server equipment connects the earthed conductor of the DC supply circuit to the earthing conductor at the equipment. For more information, see the documentation that ships with the power supply.



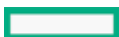
### CAUTION:

If a DC connection exists between the earthed conductor of the DC supply circuit and the earthing conductor at the server equipment, the following conditions must be met:

- This equipment must be connected directly to the DC supply system earthing electrode conductor or to a bonding jumper from an earthing terminal bar or bus to which the DC supply system earthing electrode conductor is connected.
- Locate the equipment in the same immediate area (such as adjacent cabinets) as any other equipment that has a connection between the earthed conductor of the same DC supply circuit and the earthing conductor, and also the point of earthing of the DC system. The DC system must be earthed elsewhere.
- The DC supply source is to be located within the same premises as the equipment.
- Switching or disconnecting devices should not be in the earthed circuit conductor between the DC source and the point of connection of the earthing electrode conductor.

## Procedure

1. Cut the DC power cord ends no shorter than 150.00 cm (59.06 in).





**IMPORTANT:**

The ring terminals must be UL approved and accommodate 6 AWG wires.

**IMPORTANT:**

The minimum nominal thread diameter of a pillar or stud type terminal must be 3.50 mm (0.138 in).  
The diameter of a screw type terminal must be 5.00 mm (0.197 in).

2. If the power source requires ring tongues, use a crimping tool to install the ring tongues on the power cord wires and ground wire.
3. Stack each same-colored pair of wires and then attach them to the same power source.

For more information, see the documentation that ships with the power supply.

## Installing a DC power supply

### Prerequisites

- Before installing a power supply, review the following:
  - [Power supply warnings and cautions](#)
  - [DC power supply warnings and cautions](#)
  - [DC power supply wire colors](#)
- Before you perform this procedure, make sure that you have a Phillips No. 2 screwdriver available.
- Before connecting the power cables, review the following:
  - The optional P36877-B21 HPE lug kit can be purchased from an authorized HPE reseller for use with customer-supplied power cables. (The power cable and lug kit listed below can only be used with the 1600 W -48 VDC power supply.)
  - If you are using an input power cord option, the P22173-B21 HPE 1600 W DC PSU power cable kit can be purchased from an authorized HPE reseller.
  - The DC power supply option kits do not ship with a Power Supply DC cable Kit and may not include a Power Supply Cable Lug kit. The optional DC Cable kit or the optional DC Cable Lug Kit may be purchased directly from Hewlett Packard Enterprise or an authorized HPE reseller. For additional information, see the power supply QuickSpecs at <https://www.hpe.com/info/fsps-qs>.

### About this task

If you are not using an input power cord option, the power supply cabling must be made in consultation with a licensed electrician and be compliant with local code.



**WARNING:**

To reduce the risk of electric shock, fire, and damage to the equipment, you must install this product in accordance with the following guidelines:

- The HPE 1600 W Flex Slot -48 VDC hot-plug power supply is intended only for installation in Hewlett Packard Enterprise servers located in a restricted access location.
- The HPE 1600 W Flex Slot -48 VDC hot-plug power supply is not intended for direct connection to the DC supply branch circuit. Only connect this power supply to a power distribution unit (PDU) that provides an independent overcurrent-protected output for each DC power supply. Each output overcurrent-protected device in the PDU must be suitable for interrupting fault current available from the DC power source and must be rated no more than 45 A.
- The PDU output must have a shut-off switch or a circuit breaker to disconnect power for each power supply. To completely remove power from the power supply, disconnect power at the PDU. The end product may have multiple power supplies. To remove all power from the product, disconnect the power for each power supply.
- In accordance with applicable national requirements for Information Technology Equipment and Telecommunications Equipment, this power supply only connects to DC power sources that are classified as SELV or TNV. Generally, these requirements are based on the International Standard for Information Technology Equipment, IEC 60950-1/IEC 62368-1. In accordance with local and regional electric codes and regulations, the DC source must have one pole (Neutral/Return) reliably connected to earth ground.
- You must connect the power supply ground screw located on the front of the power supply to a suitable ground (earth) terminal. In accordance with local and regional electric codes and regulations, this terminal must be connected to a suitable building ground (earth) terminal. Do not rely on the rack or cabinet chassis to provide adequate ground (earth) continuity.



**WARNING:** To reduce the risk of personal injury from hot surfaces, allow the power supply, power supply blank, or dual slot power supply adapter to cool before touching it.

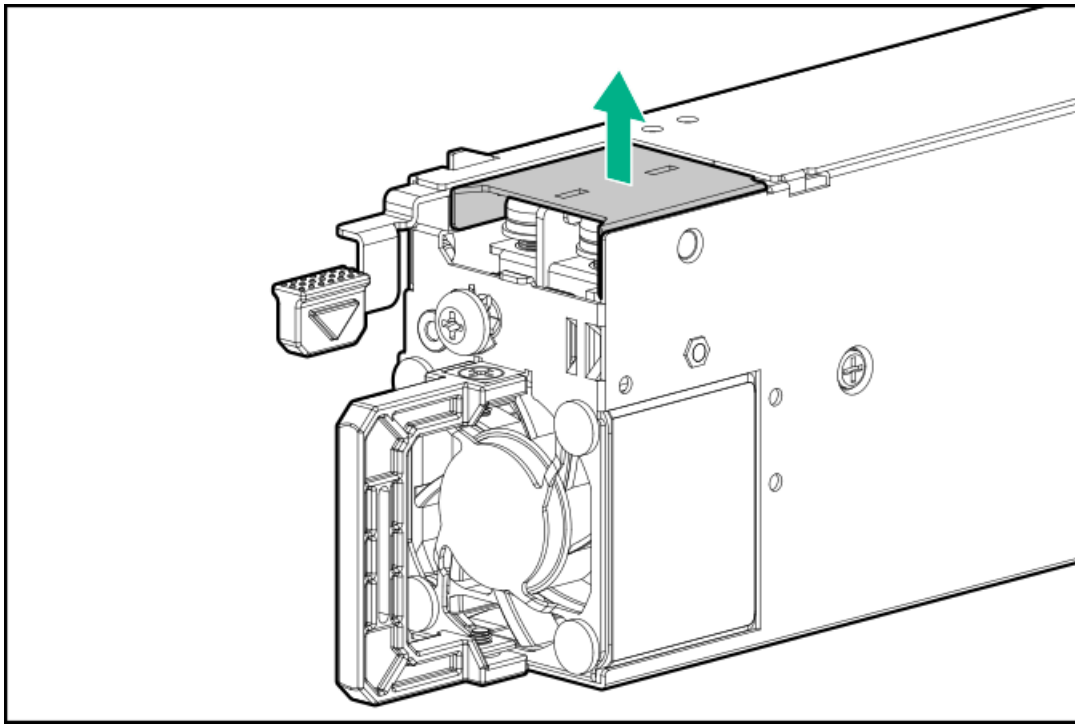


**CAUTION:** To prevent improper cooling and thermal damage, do not operate the server unless all bays are populated with either a component or a blank.

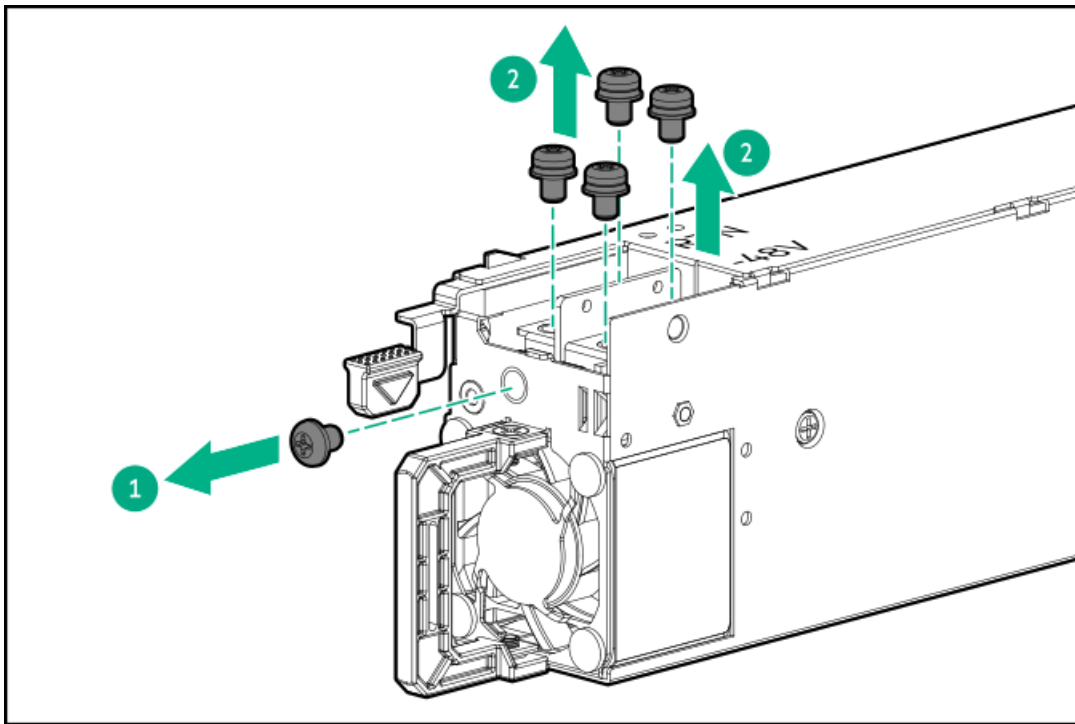
## Procedure

1. Remove the protective cover from the power supply.



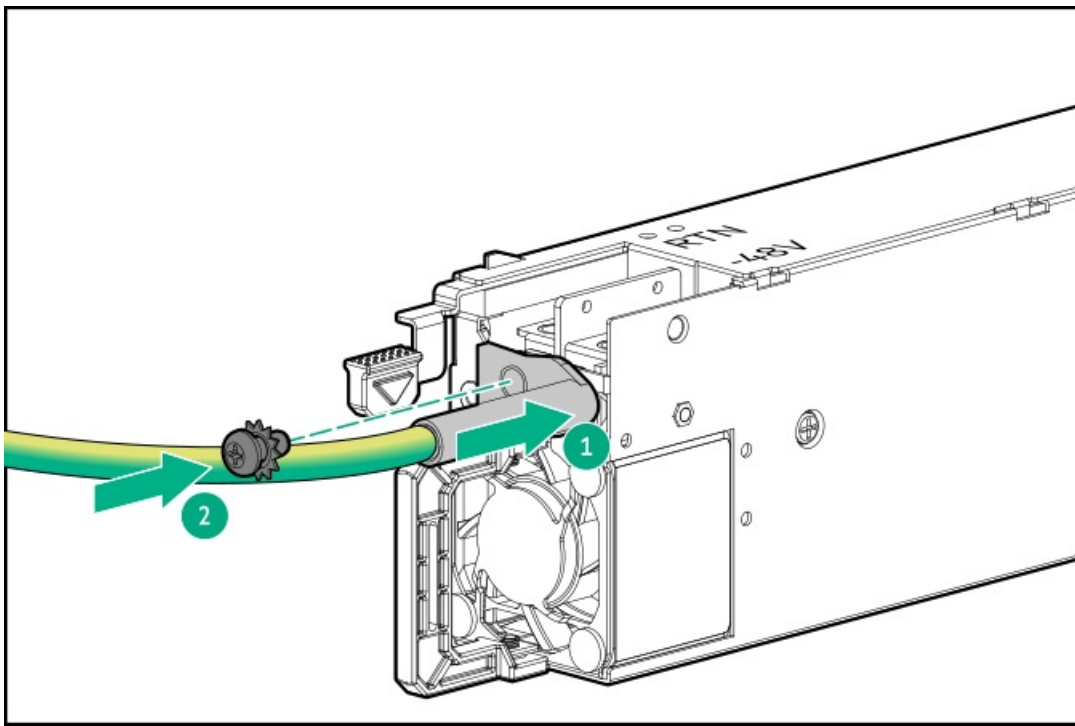


2. Remove the ground wire screw, and then remove the return wire and line wire screws.



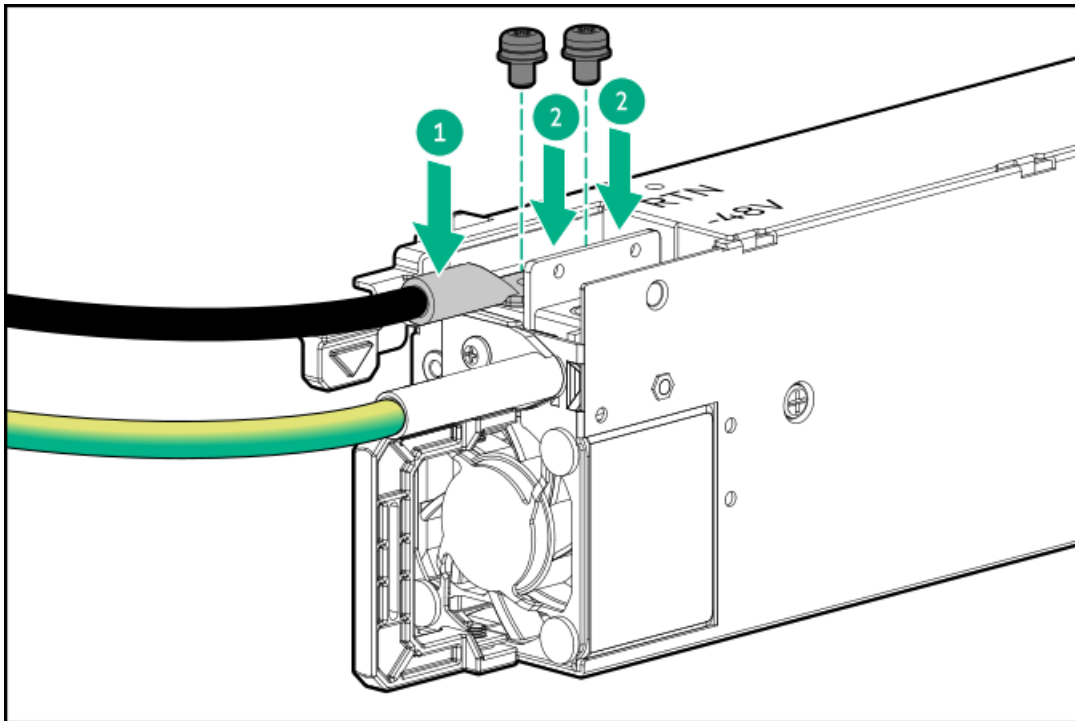
3. Attach the ground wire (green and yellow) to the DC power supply and tighten the screw and washer with 1.47 N-m (13 lbf-in).





4. Install the return wire (black):

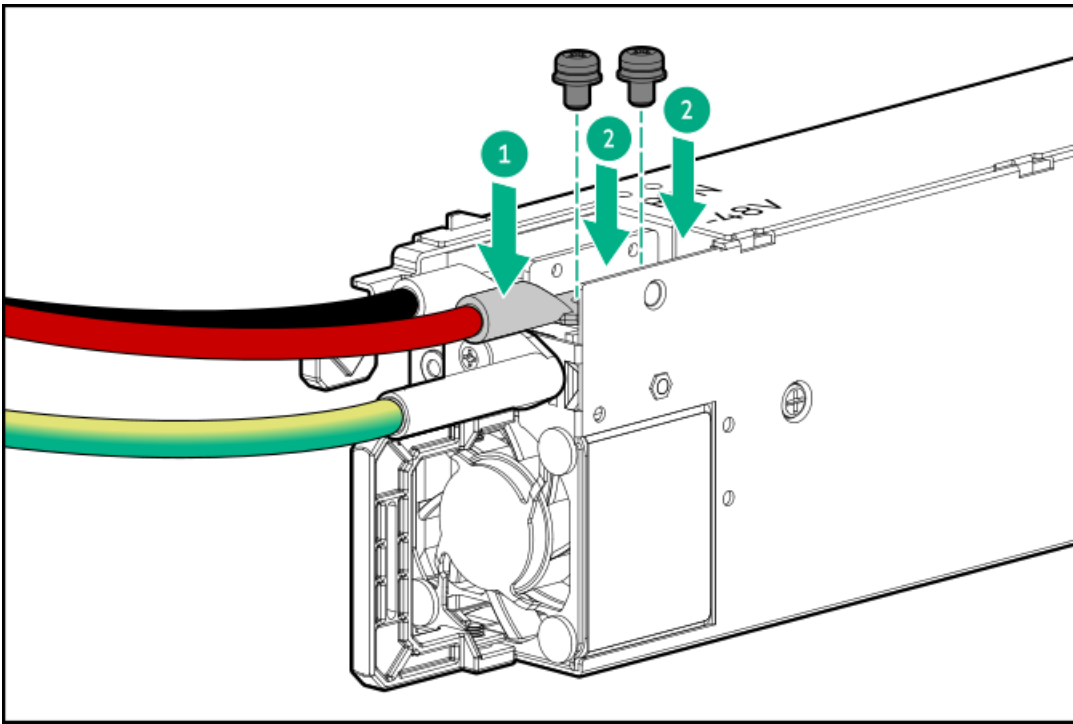
- a. Insert the return wire into the RTN slot on the DC power supply.
- b. Tighten the screw with 0.98 N-m (8.68 lbf-in).



5. Install the line wire (red):

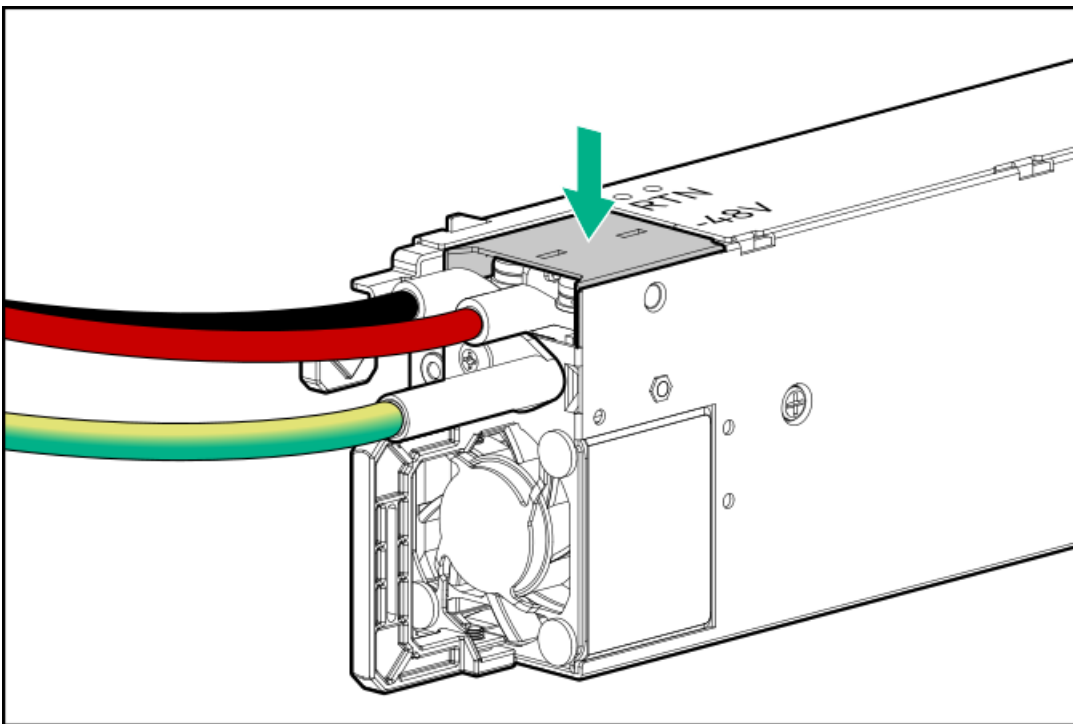
- a. Insert the line wire into the -48V slot on the DC power supply.
- b. Tighten the screw to 0.98 N-m (8.68 lbf-in).





6. Install the protective cover on the DC power supply.

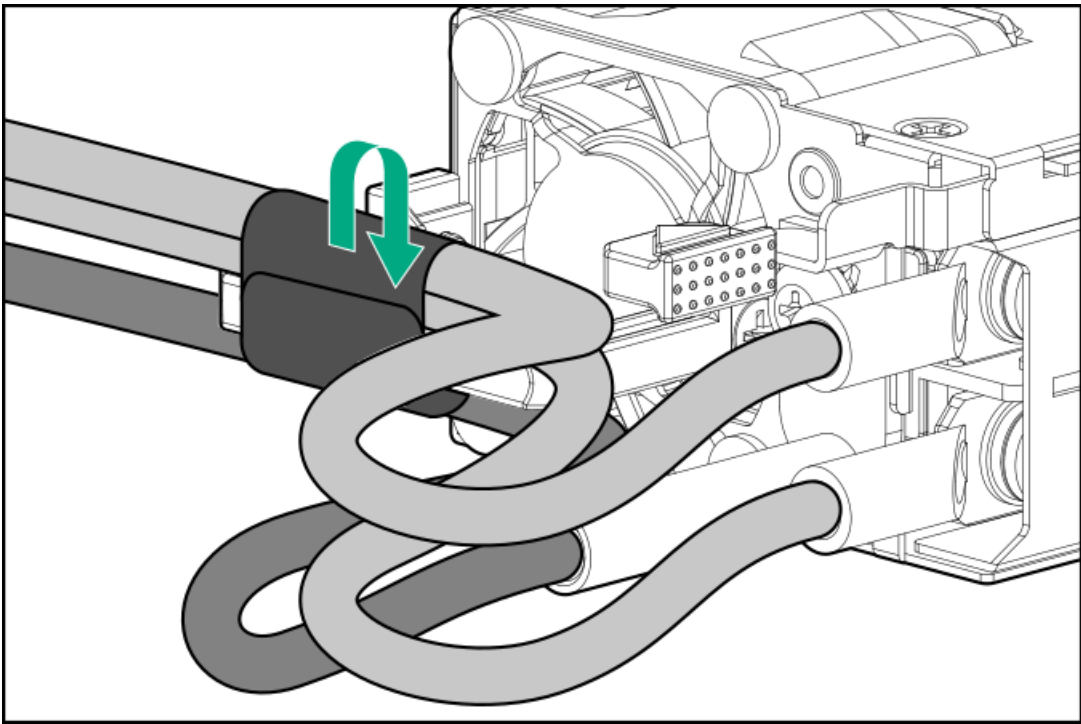
Make sure that the protective cover is locked.



7. Secure the ground, positive return, and negative input wires in the strain relief strap.

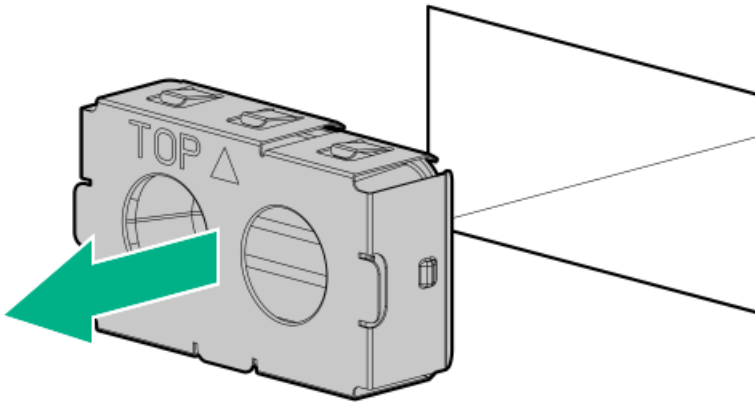


**CAUTION:** Avoid tight bend radii to prevent damaging the internal wires of a power cord or a server cable. Never bend power cords and server cables tight enough to cause a crease in the sheathing.

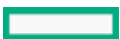
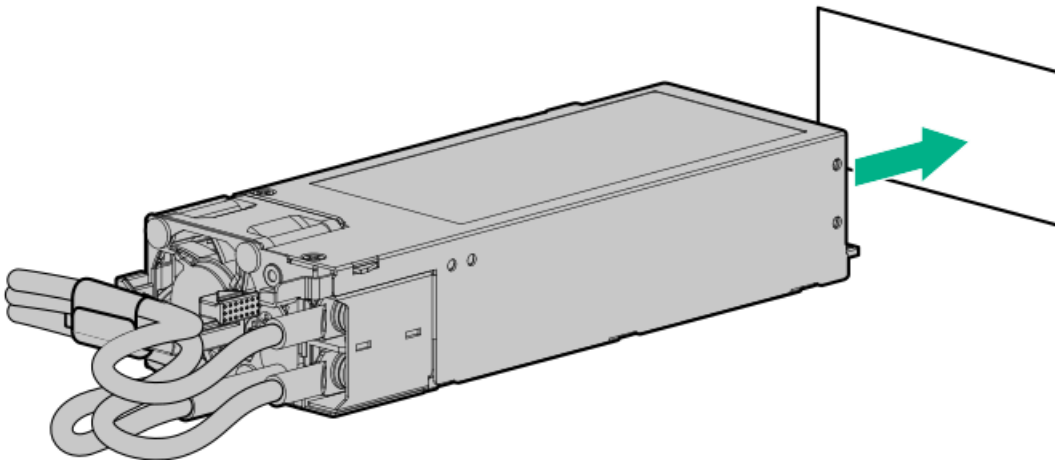


8. If you are installing a power supply in the power supply bay 2, remove the power supply blank.

Retain the blank for future use.



9. Immediately slide the power supply into the bay until it clicks into place.



10. Make sure the -48 V DC power source is off or the PDU breaker is in the off position, and then connect the power cord to the -48 V DC power source or PDU.
11. Turn on the -48 V power source or switch the PDU breaker to the on position to supply -48 V to the power supply.
12. Connect a DC power cable to a DC power source.
13. Make sure that the power supply LED is green.

## Results

The installation procedure is complete.

## Installing an AC power supply

### Prerequisites

Before installing a power supply option, review the [Power supply warnings and cautions.](#)

### About this task



**WARNING:** To reduce the risk of personal injury from hot surfaces, allow the power supply, power supply blank, or dual slot power supply adapter to cool before touching it.

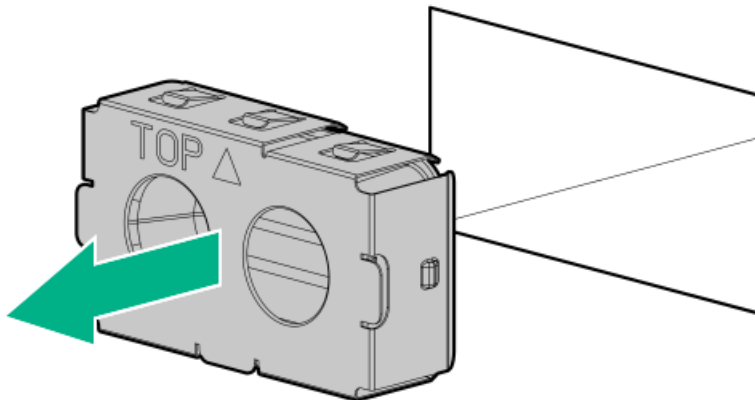


**CAUTION:** To prevent improper cooling and thermal damage, do not operate the server unless all bays are populated with either a component or a blank.

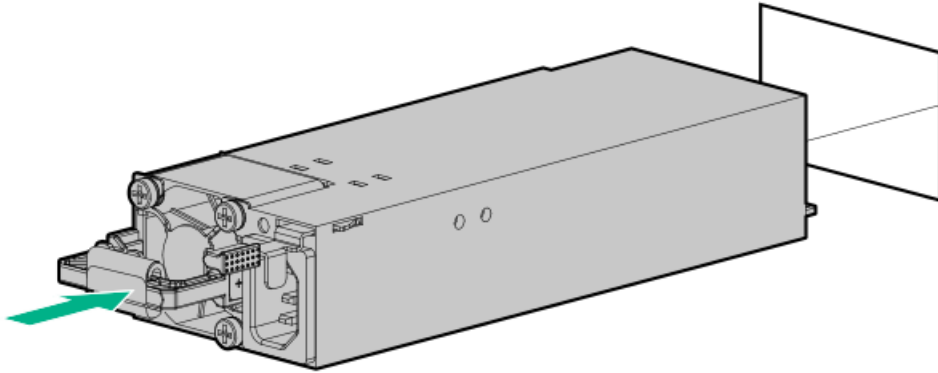
### Procedure

1. Remove the power supply blank.

Retain the blank for future use.



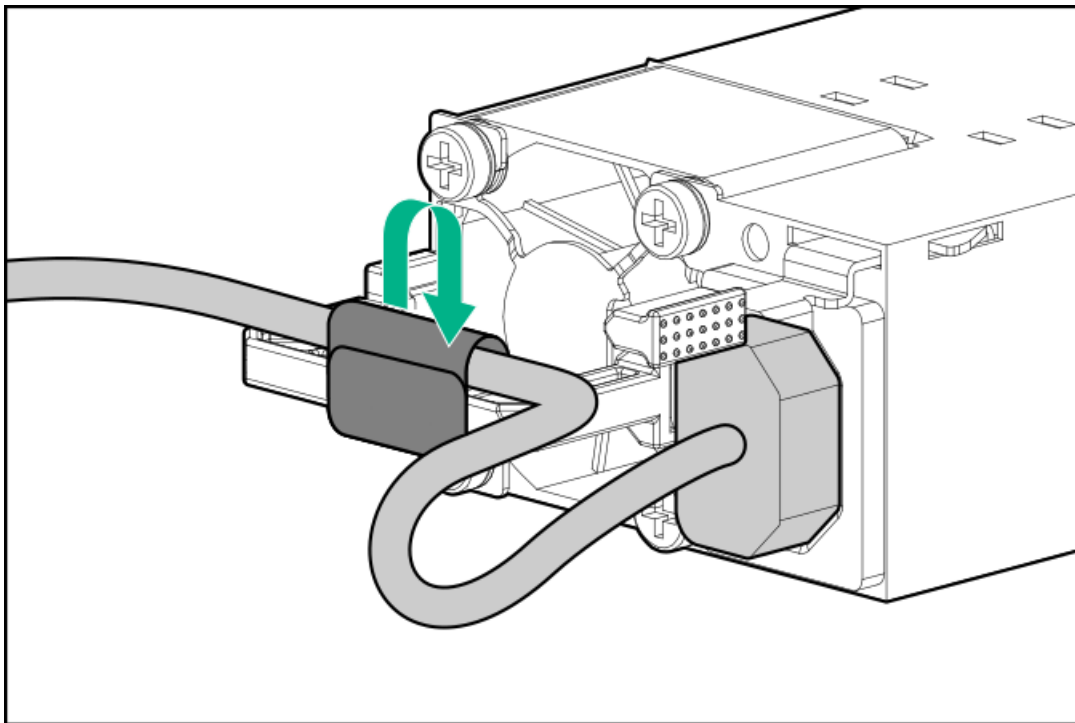
2. Install the power supply.



3. Connect the power cord to the power supply.
4. Secure the power cord.



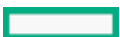
**CAUTION:** Avoid tight bend radii to prevent damaging the internal wires of a power cord or a server cable. Never bend power cords and server cables tight enough to cause a crease in the sheathing.



5. Connect the power cords:
  - a. Connect each power cord to the server.
  - b. Connect each power cord to the power source.
6. Make sure that the power supply LED is green.

## Results

The installation procedure is complete.





## Transceiver option

Transceivers serve as the connection between the adapter and the network cable for maintaining high-speed performance.

### Subtopics

[Transceiver warnings and cautions](#)

[Installing a transceiver](#)

## Transceiver warnings and cautions



### WARNING:

Fiber-optic transceivers and fiber-optic cables connected to transceivers emit laser light that can damage your eyes. To avoid eye injuries, avoid direct eye exposure to the beam from the fiber-optic transceiver or into the ends of fiber-optic cables when they are powered-up.



### CAUTION:

The presence of dust in transceiver ports can cause poor cable connectivity. To prevent dust from entering, install a dust plug in an unused transceiver port.



### CAUTION:

Supported transceivers can be hot-swapped—removed and installed while the server is powered-on. However, to prevent potential damage to the transceiver or the fiber-optic cable, disconnect the cable from the transceiver before hot-swapping it.



### CAUTION:

Do not remove and install transceivers more often than is necessary. Doing so can shorten the useful life of the transceiver.



### IMPORTANT:

When you replace a transceiver with another of a different type, the server might retain selected port-specific configuration settings that were configured for the replaced transceiver. Be sure to validate or reconfigure port settings as required.

## Installing a transceiver

### Prerequisites

Before installing a transceiver option, review the following:

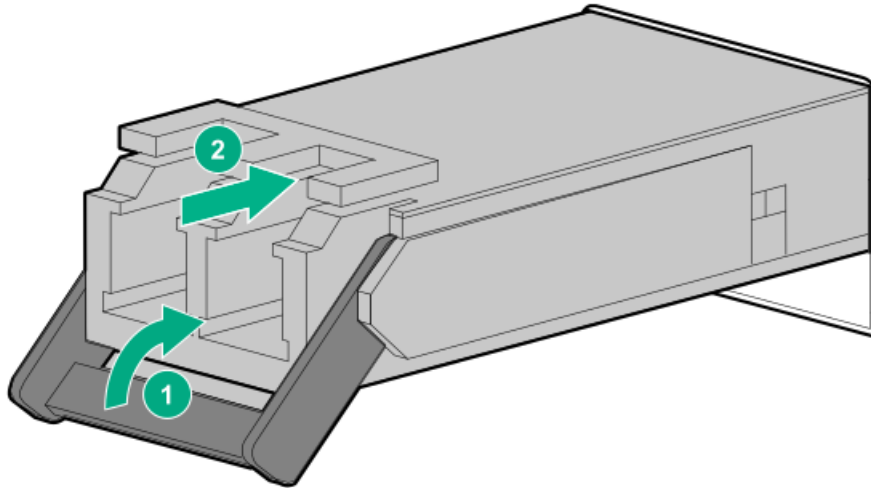
- [Transceiver warnings and cautions](#)
- Transceiver documentation for specific operational and cabling requirements

### Procedure

1. Hold the transceiver by its sides and gently insert it into the network adapter port until it clicks into place.

Transceivers are keyed so that they can only be inserted in the correct orientation. If the transceiver does not fit easily into the port, you

might have positioned it incorrectly. Reverse the orientation of the transceiver and insert it again.



2. Remove the dust plug or protective cover from the transceiver.
3. Connect a compatible LAN segment cable to the transceiver.
4. Make sure that the NIC link LED on the port is solid green.

For more information on the port LED behavior, see the documentation that ships with the transceiver.

5. If needed, see the transceiver documentation for the model-specific fastening mechanism applicable to the transceiver.

## Results

The installation is complete.

## Fan options



**CAUTION:** To avoid damage to the equipment, do not operate the server for extended periods of time if the server does not have the optimal number of fans installed. Although the server might boot, Hewlett Packard Enterprise does not recommend operating the server without the required fans installed and operating.

The server supports standard and high performance fans. Use the following tables to identify the valid fan configurations.

Table 1. Standard fan configuration

| Drive configuration | Fan bay 1 | Fan bay 2 | Fan bay 3 | Fan bay 4 | Fan bay 5 | Fan bay 6 | Fan bay 7 |
|---------------------|-----------|-----------|-----------|-----------|-----------|-----------|-----------|
| 4 LFF               | Optional  | Optional  | Fan       | Fan       | Fan       | Fan       | Fan       |
| 8 SFF               | Optional  | Optional  | Fan       | Fan       | Fan       | Fan       | Fan       |

Table 2. High performance fan configuration

| Drive configuration | Fan bay 1 | Fan bay 2 | Fan bay 3 | Fan bay 4 | Fan bay 5 | Fan bay 6 | Fan bay 7 |
|---------------------|-----------|-----------|-----------|-----------|-----------|-----------|-----------|
| 4 LFF               | Fan       | Fan       | Fan       | Fan       | Fan       | Fan       | Fan       |
| 12 LFF              | Fan       | Fan       | Fan       | Fan       | Fan       | Fan       | Fan       |
| 8 SFF               | Fan       | Fan       | Fan       | Fan       | Fan       | Fan       | Fan       |

The server supports variable fan speeds. The fans operate at minimum speed until a temperature change requires a fan speed increase to cool the server. The server shuts down during the following temperature-related scenarios:



- At POST and in the OS, iLO 6 performs an orderly shutdown if a cautionary temperature level is detected. If the server hardware detects a critical temperature level before an orderly shutdown occurs, the server performs an immediate shutdown.
- When the Thermal Shutdown feature is disabled in the BIOS/Platform Configuration (RBSU), iLO 6 does not perform an orderly shutdown when a cautionary temperature level is detected. Disabling this feature does not disable the server hardware from performing an immediate shutdown when a critical temperature level is detected.



**CAUTION:** A thermal event can damage server components when the Thermal Shutdown feature is disabled in the BIOS/Platform Configuration (RBSU).

## Subtopics

[Fan mode behavior](#)

[Installing a fan](#)

## Fan mode behavior

The seven fan setup provides redundant fan support. In redundant fan mode, if a fan rotor failure occurs:

- The system switches to nonredundant fan mode. The system continues to operate in this mode.
- The system Health LED flashes amber.

If a second fan rotor failure or a missing fan occurs, the operating system gracefully shuts down.

## Installing a fan

### About this task

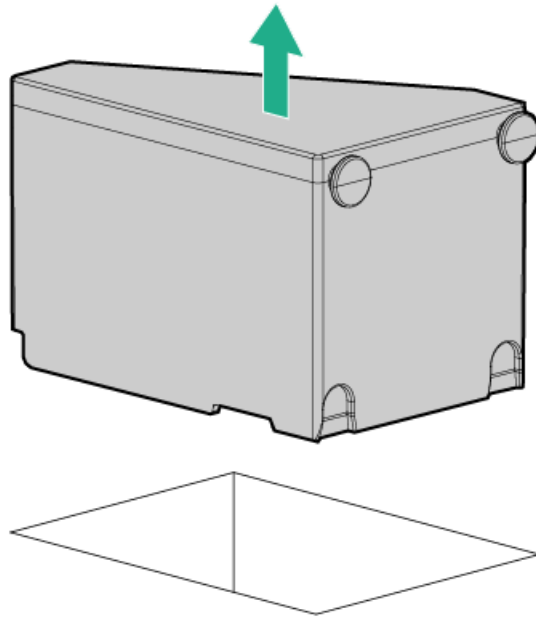


**IMPORTANT:** After removing a high-performance (dual-rotor) fan, install or replace the fan within 60 seconds. Otherwise, the server will shut down gracefully.

### Procedure

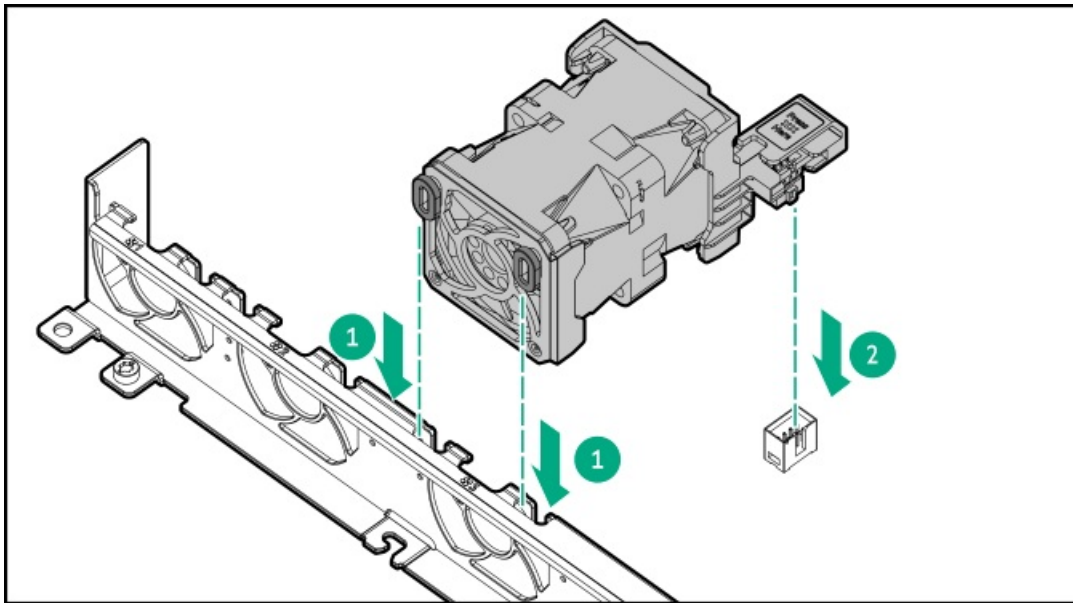
1. If installed, [open the cable management arm](#).
2. Do one of the following:
  - a. [Extend the server from the rack](#).
  - b. [Remove the server from the rack](#).
3. [Remove the access panel](#).
4. [Remove the M.2 air baffle](#).
5. Remove fan blanks from the fan bays, if installed.





6. Install a fan.

Press the fan connector to make sure the fan is firmly seated on the fan board.



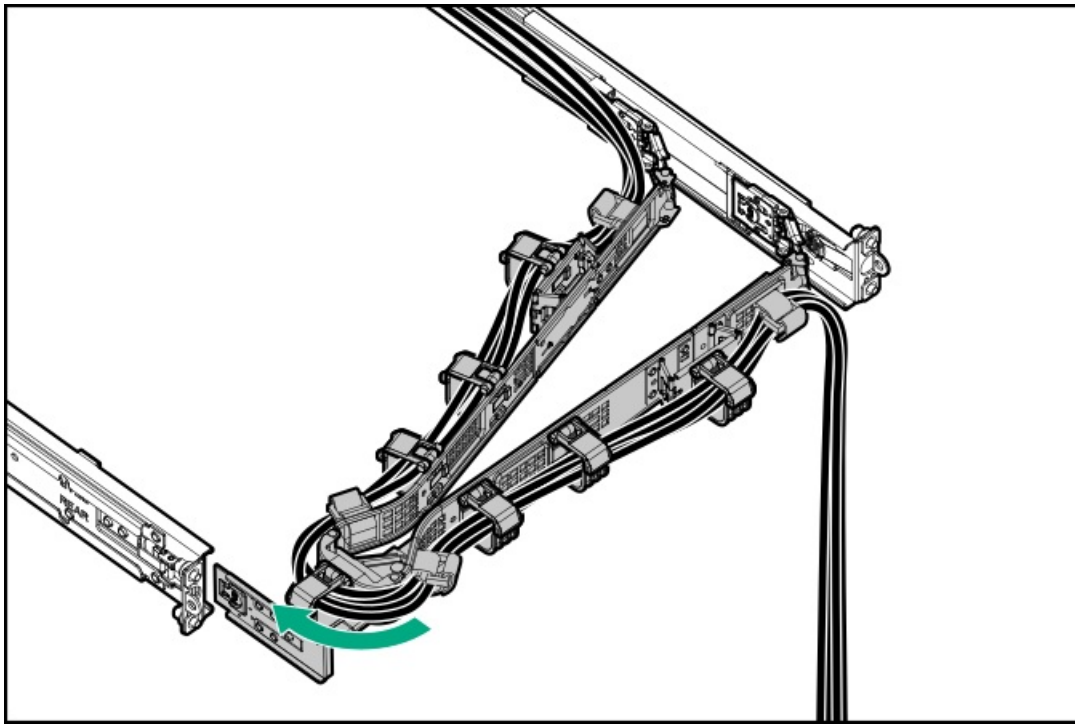
7. Install the M.2 air baffle.

8. Install the access panel.

9. Install the server into the rack.

10. If installed, close the cable management arm.





## Results

The installation procedure is complete.

## Expansion card options

The server supports the installation of full-height, half-length and half-height, half-length (low profile) PCIe expansion / add-in (AIC) cards such as:

- HPE type-p storage controller
- Ethernet adapter
- HDR InfiniBand adapter
- Fibre channel host bus adapter (FC HBA)
- Accelerator (workload, computational, or graphics accelerator)

For more information on the expansion options validated for this server, see the server QuickSpecs on the Hewlett Packard Enterprise website:

<https://www.hpe.com/info/quickspecs>

### Subtopics

[Installing an expansion card](#)

## Installing an expansion card

### Prerequisites

Before you perform this procedure, make sure that you have the following items available:

- T-10 Torx screwdriver

## About this task



**CAUTION:** To prevent improper cooling and thermal damage, do not operate the server unless all PCIe slots have either a riser slot blank or an expansion card installed.

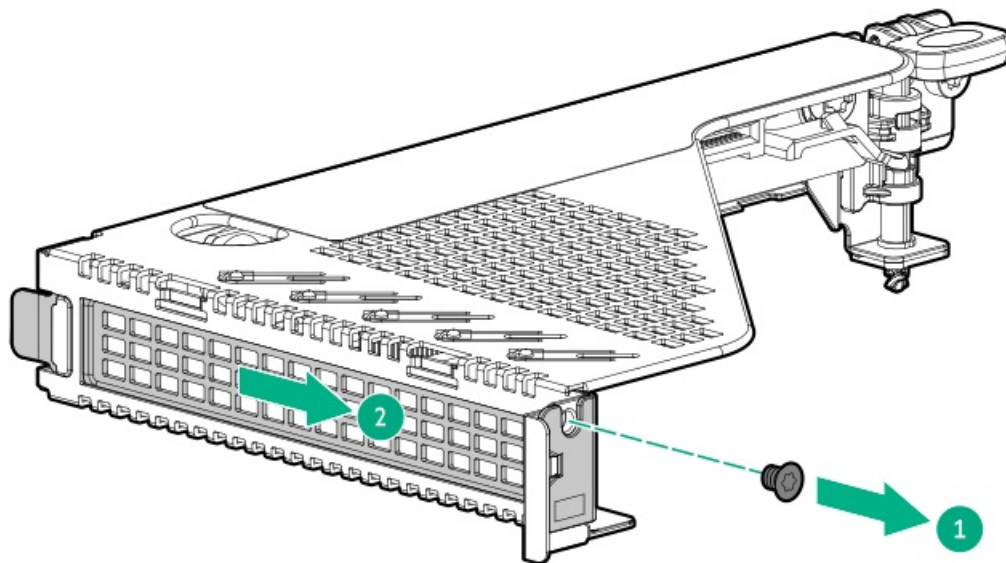


**CAUTION:** A discharge of static electricity from a finger or other conductor might damage system boards or other static-sensitive devices. To prevent damage, observe [antistatic precautions](#).

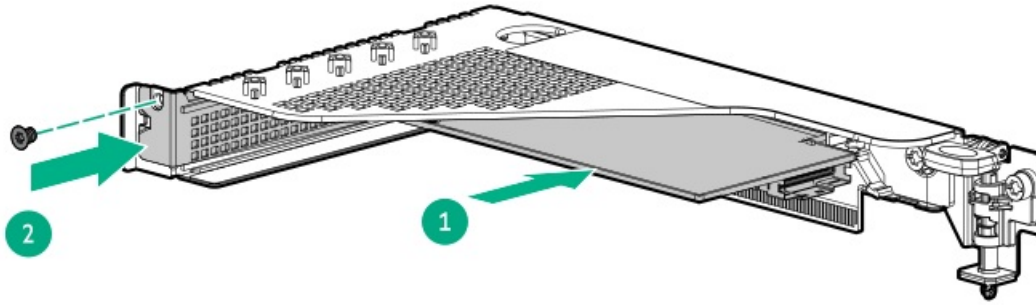
## Procedure

1. Power down the server.
2. If installed, open the cable management arm.
3. Remove all power:
  - a. Disconnect each power cord from the power source.
  - b. Disconnect each power cord from the server.
4. Disconnect all peripheral cables from the server.
5. Remove the server from the rack.
6. Place the server on a flat, level work surface.
7. Remove the access panel.
8. Remove the riser cage.
9. Remove the riser slot blank.

Retain the blank for future use.



10. Make sure that any switches or jumpers on the expansion card are set properly.  
For more information, see the documentation that ships with the expansion card option.
11. Install the expansion card:  
Make sure that the expansion card is seated firmly in the slot.



12. Connect all necessary internal cabling to the expansion card.

For more information on these cabling requirements, see the documentation that ships with the option.

13. Install the riser cage.

14. Install the access panel.

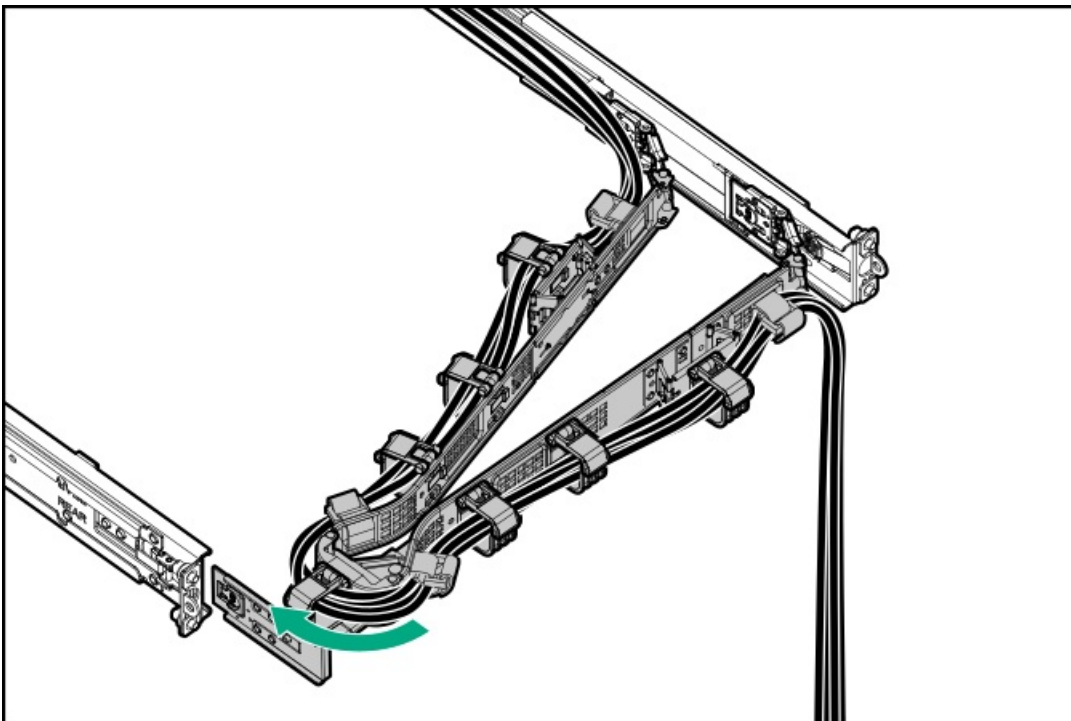
15. Install the server into the rack.

16. Connect all peripheral cables to the server.

17. Connect the power cords:

- a. Connect each power cord to the server.
- b. Connect each power cord to the power source.

18. If installed, close the cable management arm.



19. Power up the server.

## Results

The installation procedure is complete.



## Accelerator options

This server supports various accelerator options to meet your computational and graphics workload requirements. For a list of supported accelerator models, see the server QuickSpecs on the Hewlett Packard Enterprise website (<https://www.hpe.com/info/quickspecs>).

- PCIe workload accelerators—These options are PCIe card-based, direct-attach solutions that use solid-state storage technology directly on the PCI bus to boost I/O performance and reduce latency to scale in line with your processing requirements.
- Computational and graphics accelerators—These options deliver accelerated compute performance for a range of deep learning, high-performance computing (HPC), and graphics-intensive applications.

### Subtopics

[Installing an accelerator in the GPU riser cage](#)

[Installing an accelerator in the rear riser cage](#)

## Installing an accelerator in the GPU riser cage

### Prerequisites

Before installing this option, do the following:

- Be sure that the power supplies support the installation of this option. For more information, see the [Hewlett Packard Enterprise Configurator website](#).
- Before you perform this procedure, make sure that you have a T-15 Torx screwdriver available.

### About this task



**WARNING:** To reduce the risk of personal injury from hot surfaces, allow the drives and the internal system components to cool before touching them.



**CAUTION:** To prevent damage to electrical components, properly ground the server before beginning any installation procedure. Improper grounding can cause electrostatic discharge.

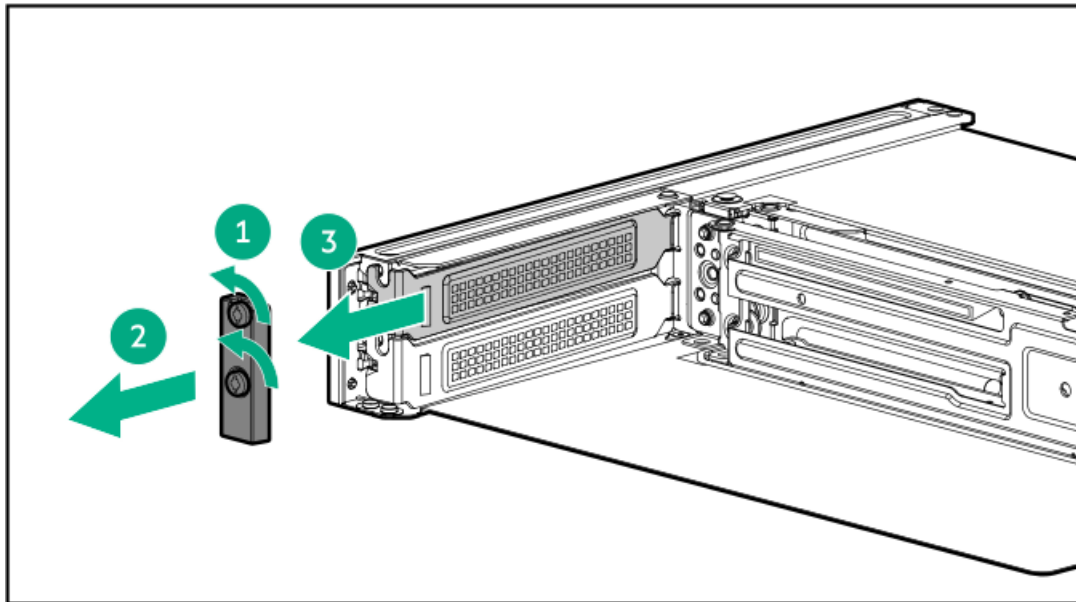
- One single-width accelerator is supported in slot 4.
- Two single-width accelerators and double-width accelerators are supported in slots 4 and 5.
- Four single-width accelerators are supported in all four slots.

### Procedure

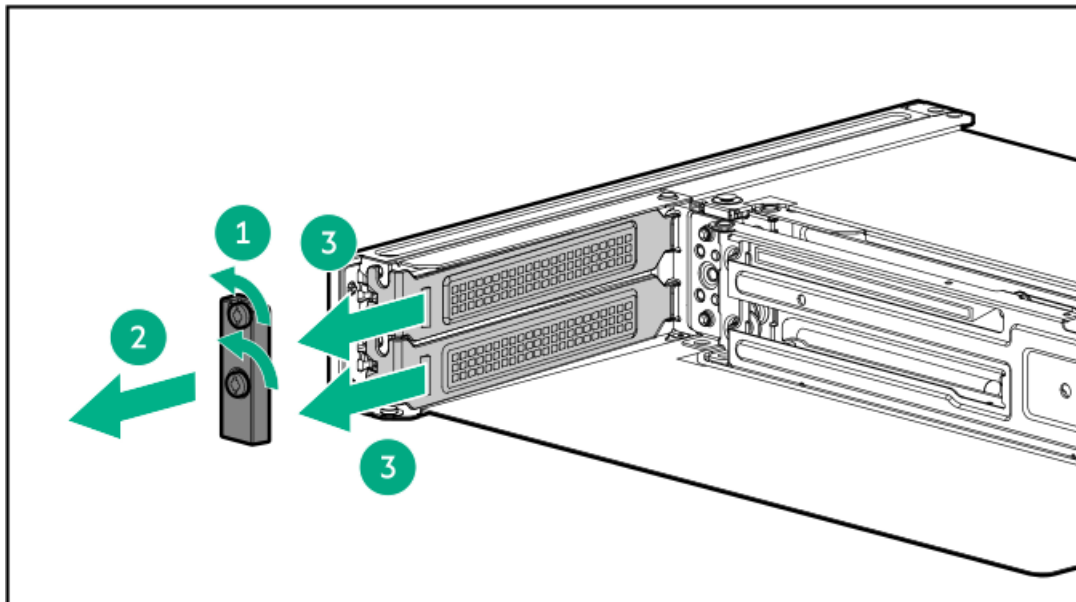
1. Back up all server data.
2. [Power down the server](#).
3. If installed, [open the cable management arm](#).
4. Remove all power:
  - a. Disconnect each power cord from the power source.
  - b. Disconnect each power cord from the server.
5. Disconnect all peripheral cables from the server.
6. [Remove the server from the rack](#).
7. Place the server on a flat, level work surface.



8. Remove the access panel.
9. Remove the middle cover.
10. Remove the GPU riser cage.
11. Remove the GPU riser slot blank:
  - a. Loosen the captive screws on the GPU bracket retainer.
  - b. Remove the GPU bracket retainer.
  - c. Remove the riser slot blank from the GPU riser cage.
    - Single-width accelerator



- Double-width accelerator



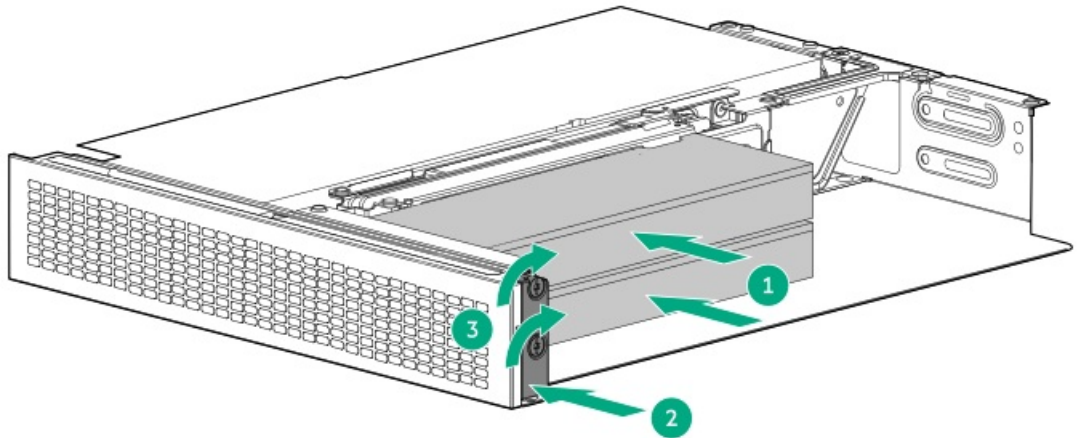
12. Install the accelerator:
  - a. Plug in the accelerator to the GPU riser.

Make sure that the accelerator is firmly seated in the riser slot.
  - b. Attach the GPU bracket retainer.

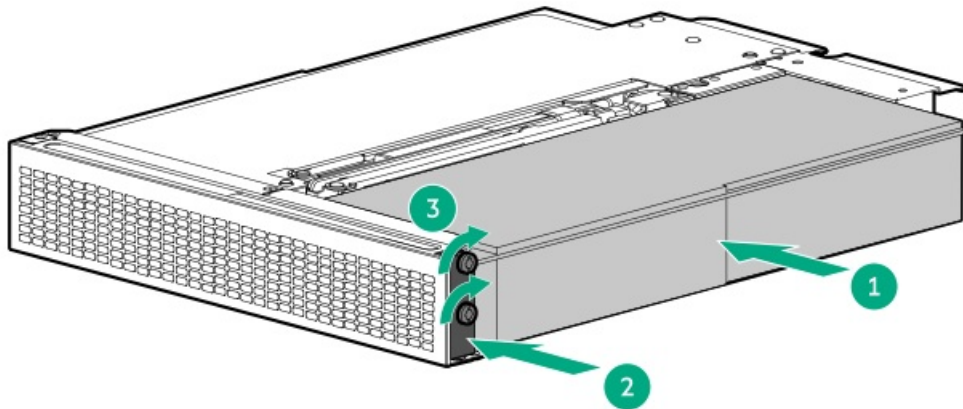


c. Tighten the captive screws.

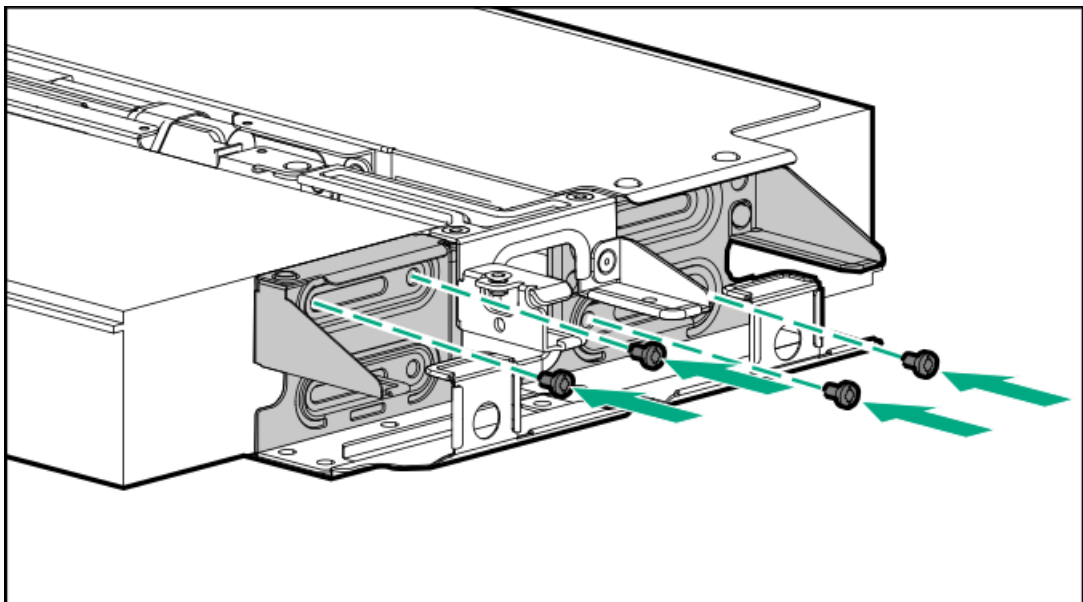
- Single-width accelerator



- Double-width accelerator

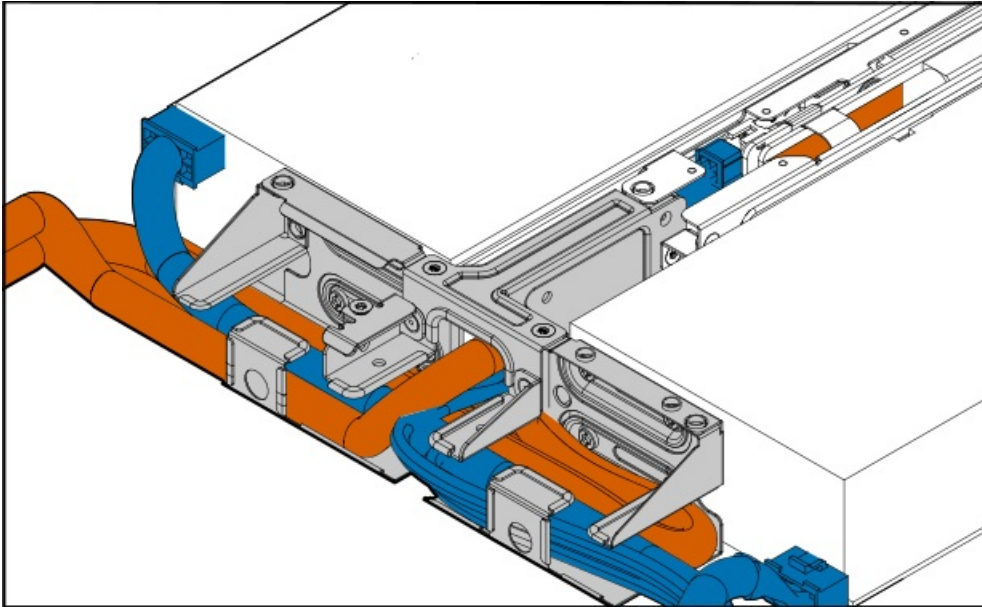


13. If installing the double-width accelerator, secure the accelerator on the GPU riser cage.

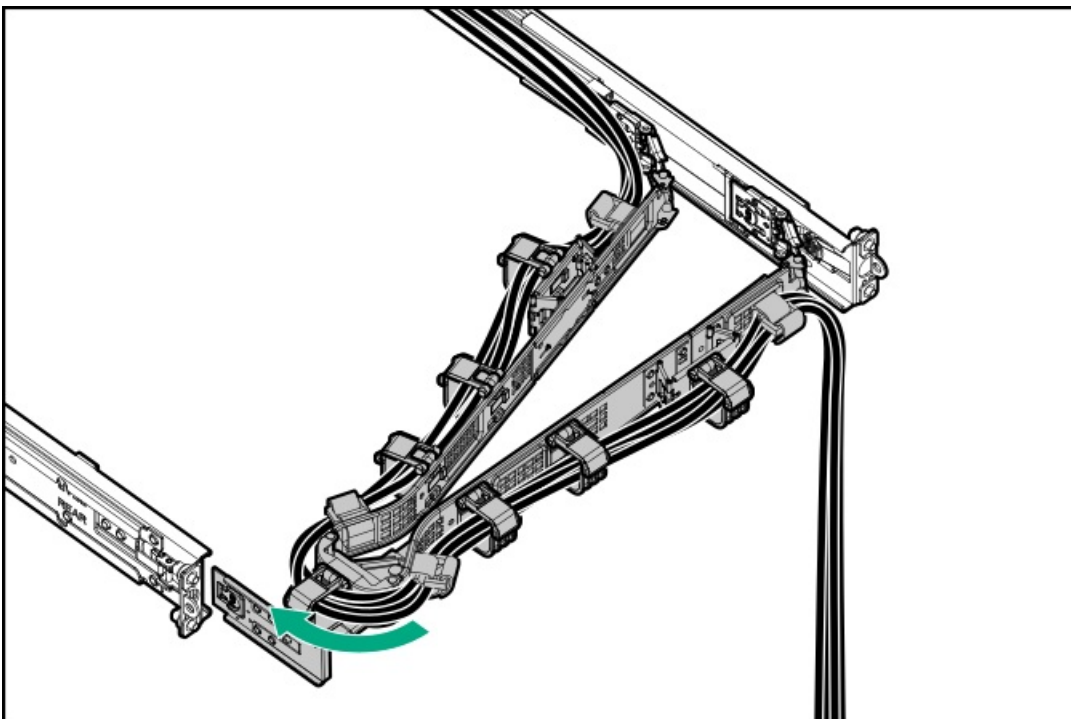


14. Route the accelerator auxiliary power cables and the GPU riser cables in the cable divider.





15. Install the GPU riser cage.
16. Install the middle cover.
17. Install the access panel.
18. Install the server into the rack.
19. Connect all peripheral cables to the server.
20. Connect the power cords:
  - a. Connect each power cord to the server.
  - b. Connect each power cord to the power source.
21. If installed, close the cable management arm.



22. Power up the server.



## Results

The installation procedure is complete.

## Installing an accelerator in the rear riser cage

### Prerequisites

Before installing this option, do the following:

- Be sure that the power supplies support the installation of this option. For more information, see the [Hewlett Packard Enterprise Configurator website](#).
- Before you perform this procedure, make sure that you have a T-15 Torx screwdriver available.

### About this task

The accelerator can be installed in the primary or secondary riser cage.



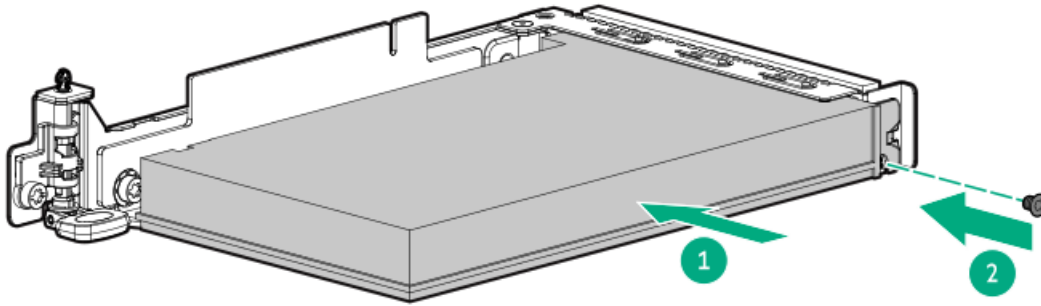
**WARNING:** To reduce the risk of personal injury from hot surfaces, allow the drives and the internal system components to cool before touching them.



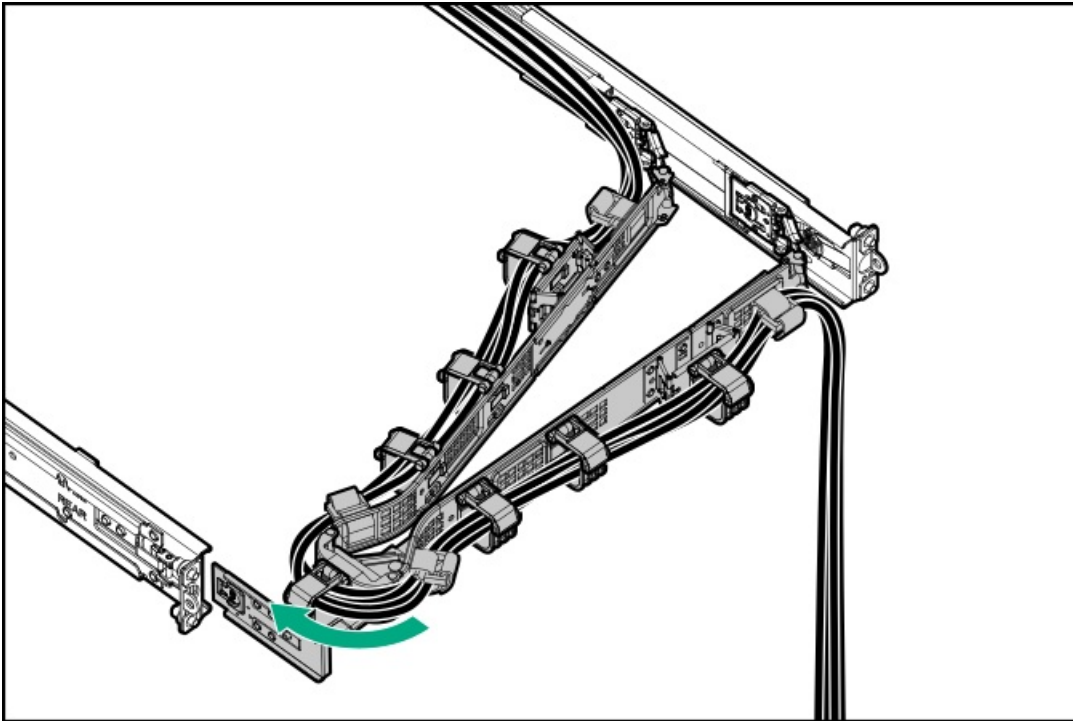
**CAUTION:** To prevent damage to electrical components, properly ground the server before beginning any installation procedure. Improper grounding can cause electrostatic discharge.

### Procedure

1. Back up all server data.
2. Power down the server.
3. If installed, open the cable management arm.
4. Remove all power:
  - a. Disconnect each power cord from the power source.
  - b. Disconnect each power cord from the server.
5. Disconnect all peripheral cables from the server.
6. Remove the server from the rack.
7. Place the server on a flat, level work surface.
8. Remove the access panel.
9. Remove the riser cage.
10. Remove the existing rear guide bracket from the card, if installed.
11. Install the card in the riser cage.



12. Install the riser cage.
13. Install the access panel.
14. Install the server into the rack.
15. Connect all peripheral cables to the server.
16. Connect the power cords:
  - a. Connect each power cord to the server.
  - b. Connect each power cord to the power source.
17. If installed, close the cable management arm.



18. Power up the server.

## Results

The installation procedure is complete.

## Energy pack options



If there is an unplanned server power outage, the flash-backed write cache (FBWC) feature of HPE storage controllers requires a centralized backup power source to back up the write cache data in a flash device. This server supports the following power options—collectively known as energy pack:

- [HPE Smart Storage Battery](#)
- [HPE Smart Storage Hybrid Capacitor](#)

One energy pack supports multiple devices. After it is installed, the status of the energy pack appears in HPE iLO. For more information, see the iLO user guide:

<https://www.hpe.com/support/ilo6>

#### Subtopics

[HPE Smart Storage Battery](#)

[HPE Smart Storage Hybrid Capacitor](#)

[Minimum firmware versions](#)

[Installing an energy pack](#)

## HPE Smart Storage Battery

The HPE Smart Storage Battery supports both HPE SR and MR storage controllers.

A single 96 W battery can support up to 24 devices.

After the battery is installed, it might take up to two hours to charge. Controller features requiring backup power are not re-enabled until the battery is capable of supporting the backup power.

This server supports the 96 W HPE Smart Storage Battery with the 145 mm cable.

For more information, see HPE Smart Storage Batteries and Hybrid Capacitors QuickSpecs:

[https://www.hpe.com/psnow/doc/a00028553enw.pdf?jumpid=in\\_pdp-psnow-qs](https://www.hpe.com/psnow/doc/a00028553enw.pdf?jumpid=in_pdp-psnow-qs)

## HPE Smart Storage Hybrid Capacitor

The HPE Smart Storage Hybrid Capacitor supports both HPE SR and MR storage controllers.

The capacitor pack can support up to three devices.

This server supports the HPE Smart Storage Hybrid Capacitor with the 145 mm cable.

Before installing the HPE Smart Storage Hybrid Capacitor, verify that the system BIOS meets the minimum firmware requirements to support the capacitor pack.



#### **IMPORTANT:**

If the system BIOS or controller firmware is older than the minimum recommended firmware versions, the capacitor pack will only support one device.

The capacitor pack is fully charged after the system boots.

For more information, see HPE Smart Storage Batteries and Hybrid Capacitors QuickSpecs:

[https://www.hpe.com/psnow/doc/a00028553enw.pdf?jumpid=in\\_pdp-psnow-qs](https://www.hpe.com/psnow/doc/a00028553enw.pdf?jumpid=in_pdp-psnow-qs)

## Minimum firmware versions

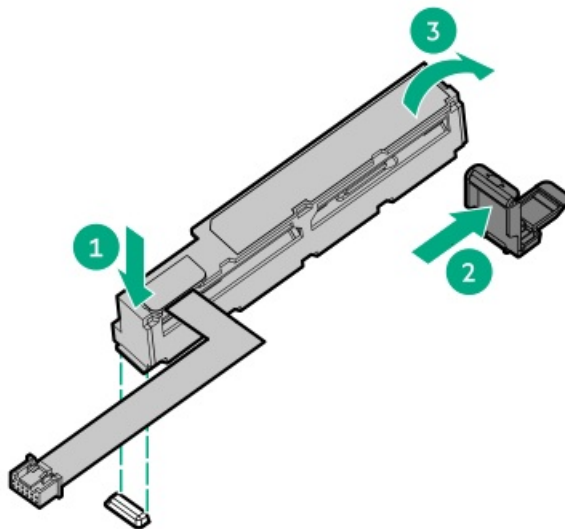
| Product                                    | Minimum firmware version |
|--|--------------------------|
| Server system ROM                          | 1.20                     |
| HPE MR type-o and type-p Gen11 controllers | 52.22.3-4650             |
| HPE SR900 series type-p Gen11 controllers  | 03.01.14.062             |

## Installing an energy pack

### Procedure

1. Power down the server.
2. If installed, open the cable management arm.
3. Remove all power:
  - a. Disconnect each power cord from the power source.
  - b. Disconnect each power cord from the server.
4. Disconnect all peripheral cables from the server.
5. Remove the server from the rack.
6. Place the server on a flat, level work surface.
7. Remove the access panel.
8. Install the energy pack:
  - a. Attach one end of the energy pack on the chassis.
  - b. Press and hold the retention latch.
  - c. Pivot the energy pack downward and release the retention latch.

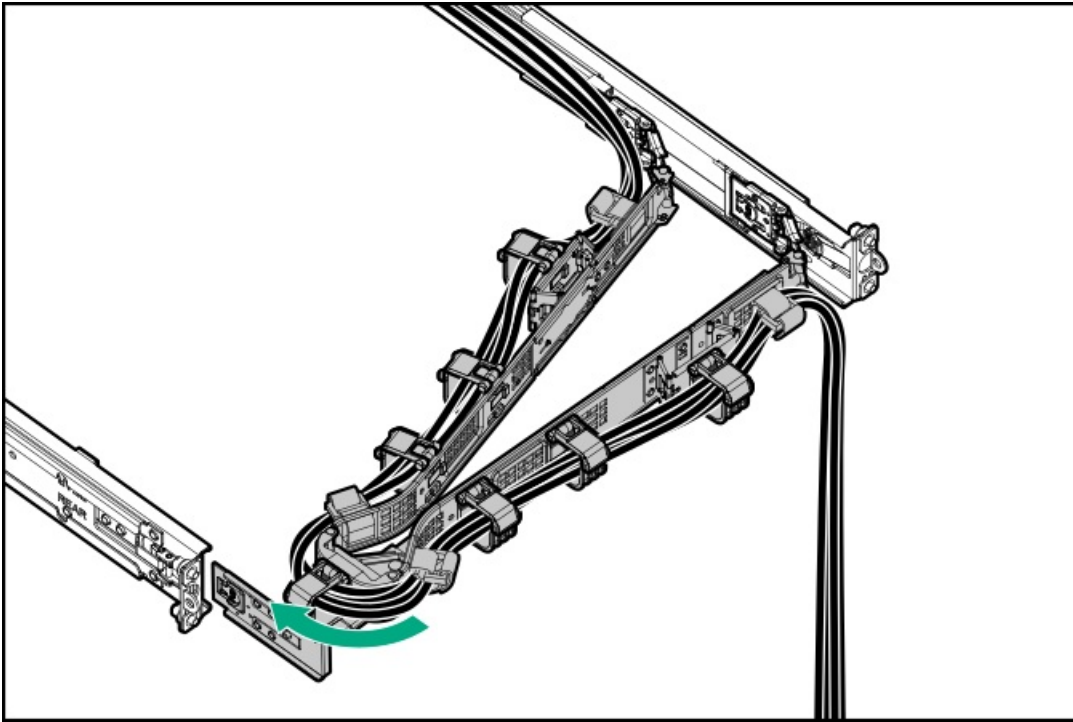
Make sure that the energy pack is locked in the retention latch.



9. Cable the energy pack.
10. Install the access panel.
11. Install the server into the rack.



12. Connect all peripheral cables to the server.
13. Connect the power cords:
  - a. Connect each power cord to the server.
  - b. Connect each power cord to the power source.
14. If installed, close the cable management arm.



## Results

The installation procedure is complete.

## Memory options



**IMPORTANT:** This server does not support mixing LRDIMMs and RDIMMs. Attempting to mix any combination of these DIMMs can cause the server to halt during BIOS initialization. All memory installed in the server must be of the same type.

### Subtopics

[DIMM population information](#)

[HPE SmartMemory speed information](#)

[Installing a DIMM](#)

## DIMM population information

For specific DIMM population information, see the DIMM population guidelines on the Hewlett Packard Enterprise website (<https://www.hpe.com/docs/server-memory>).





## HPE SmartMemory speed information

For more information about memory speed information in HPE servers using Intel processors, see the Hewlett Packard Enterprise website (<https://www.hpe.com/docs/memory-speed-table>).

## Installing a DIMM

### Prerequisites



**CAUTION:**

- Do not install RDIMMs and LRDIMMs in the same server.
- Do not install ×4 and ×8 DRAM widths in the same server.

Attempting to mix any combination of these DIMMs can cause the server to halt during BIOS initialization. All memory installed in the server must be of the same type.



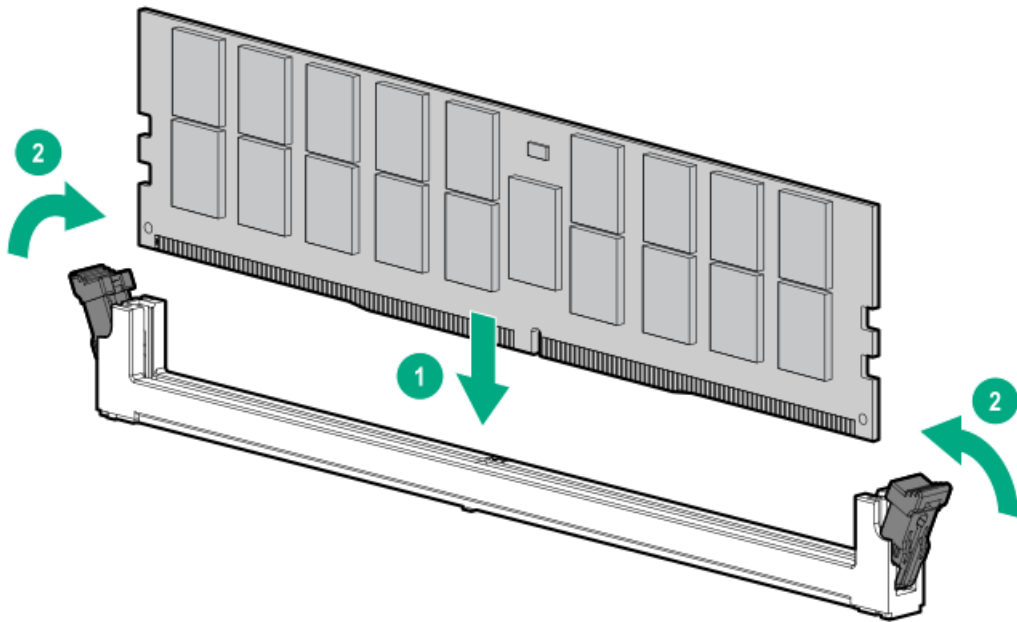
**CAUTION:** A discharge of static electricity from a finger or other conductor might damage system boards or other static-sensitive devices. To prevent damage, observe [antistatic precautions](#).

### Procedure

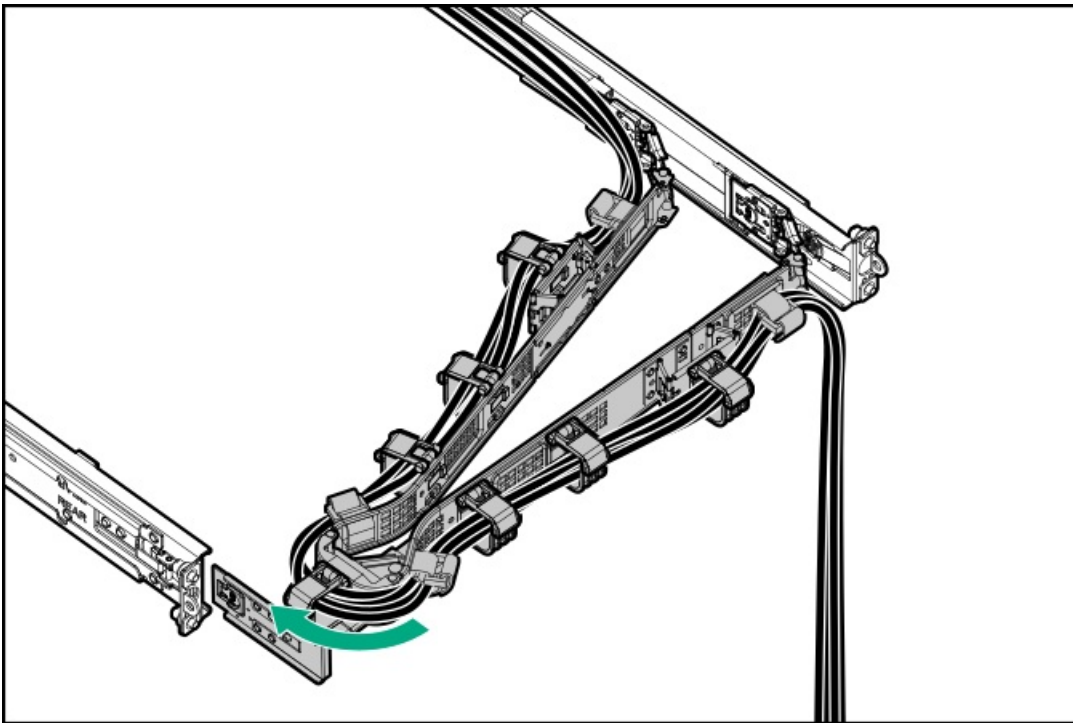
1. [Power down the server.](#)
2. If installed, [open the cable management arm.](#)
3. Remove all power:
  - a. Disconnect each power cord from the power source.
  - b. Disconnect each power cord from the server.
4. Disconnect all peripheral cables from the server.
5. [Remove the server from the rack.](#)
6. [Remove the access panel.](#)
7. Install the DIMM:
  - a. Open the DIMM slot latches.
  - b. Align the notch on the bottom edge of the DIMM with the keyed surface of the DIMM slot, and then fully press the DIMM into the slot until the latches snap back into place.

The DIMM slots are structured to ensure proper installation. If you try to insert a DIMM but it does not fit easily into the slot, you might have positioned it incorrectly. Reverse the orientation of the DIMM and insert it again.





8. Install the access panel.
9. If installed, close the cable management arm.



10. To configure the memory settings:
  - a. From the boot screen, press **F9** to access UEFI System Utilities.
  - b. From the System Utilities screen, select `System Utilities > System Configuration > BIOS/Platform Configuration (RBSU) > Memory Options`.

## Results

The installation procedure is complete.



## Storage controller options

The server supports the following storage controllers:

- Intel Virtual RAID on CPU (Intel VROC) —Provides enterprise-level hybrid RAID support for direct attached SATA and NVMe SSDs, including M.2 SSDs.
- HPE MR type-o and type-p Gen11 controllers
- HPE SR type-p Gen11 controllers  
For more information on drive array and storage controller configuration, see [Configuring storage controllers](#).

When a tri-mode storage controller option is used together with a U.3 drive backplane, the system will support mixed drive configuration.

### Subtopics

[Preparing the server for storage controller installation](#)

[Installing a type-p controller](#)

[Installing a type-o storage controller](#)

## Preparing the server for storage controller installation

### Prerequisites

Before beginning this procedure, download the Service Pack for ProLiant (SPP) from the Hewlett Packard Enterprise website (<https://www.hpe.com/servers/spp/download>).

### Procedure

1. If the server was previously configured:
  - a. [Back up data on the system](#).
  - b. Close all applications.
  - c. Ensure that users are logged off and that all tasks are completed on the server.



**CAUTION:** In systems that use external data storage, be sure that the server is the first unit to be powered down and the last to be powered back up. Taking this precaution ensures that the system does not erroneously mark the drives as failed when the server is powered up.

2. If the server firmware is not the latest revision, [update the firmware](#).
3. If the new controller is the new boot device, [install the controller drivers](#).

## Installing a type-p controller

### Prerequisites

Before you perform this procedure, make sure that you have the following items available:

- T-10 Torx screwdriver

### About this task





**CAUTION:** A discharge of static electricity from a finger or other conductor might damage system boards or other static-sensitive devices. To prevent damage, observe [antistatic precautions](#).

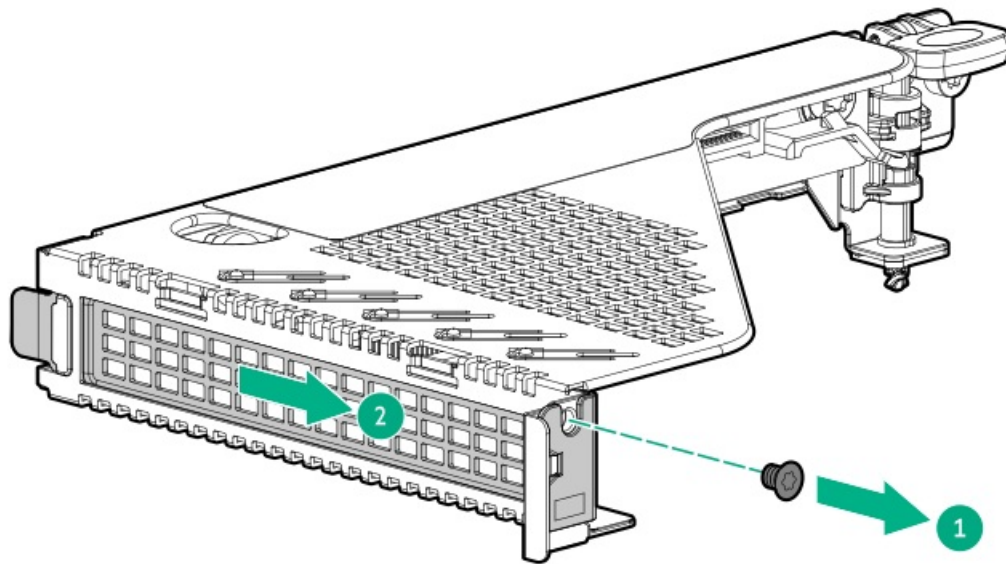


**CAUTION:** To prevent improper cooling and thermal damage, do not operate the server unless all PCIe slots have either a riser slot blank or an expansion card installed.

## Procedure

1. [Power down the server](#).
2. If installed, [open the cable management arm](#).
3. Remove all power:
  - a. Disconnect each power cord from the power source.
  - b. Disconnect each power cord from the server.
4. Disconnect all peripheral cables from the server.
5. [Remove the server from the rack](#).
6. Place the server on a flat, level work surface.
7. [Remove the access panel](#).
8. [Remove the riser cage](#).
9. Remove the riser slot blank.

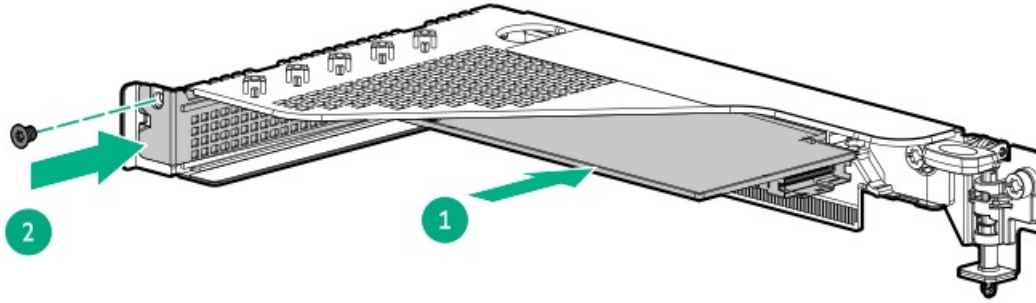
Retain the screw and blank for future use.



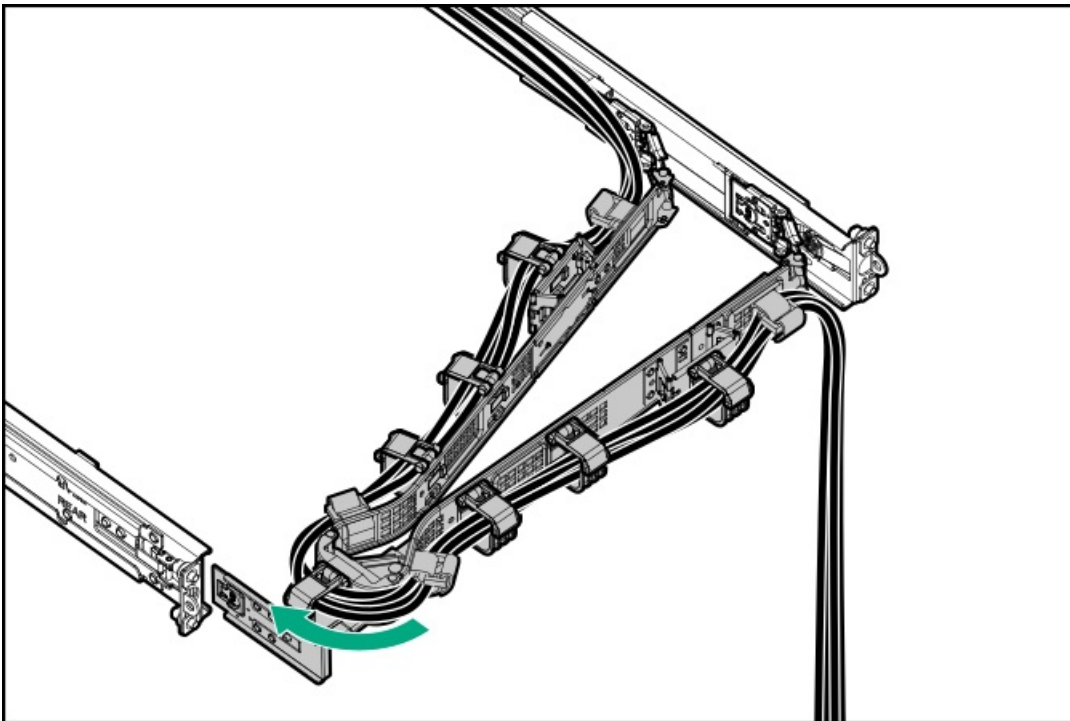
10. Install the type-p storage controller.

Make sure that the controller is seated firmly in the slot.





11. Cable the type-p storage controller.
12. Install the riser cage.
13. Install the access panel.
14. Install the server into the rack.
15. Connect all peripheral cables to the server.
16. Connect the power cords:
  - a. Connect each power cord to the server.
  - b. Connect each power cord to the power source.
17. If installed, close the cable management arm.



18. Power up the server.

## Results

The installation procedure is complete.

## Installing a type-o storage controller

## Prerequisites

The flash-backed write cache (FBWC) feature of some storage controllers requires the installation of an [energy pack option](#). For more information, see the controller QuickSpecs on the Hewlett Packard Enterprise website (<https://www.hpe.com/info/quickspecs>).

Before you perform this procedure, make sure that you have the following items available:

- Compatible controller cable option
- T-10 Torx screwdriver

## About this task

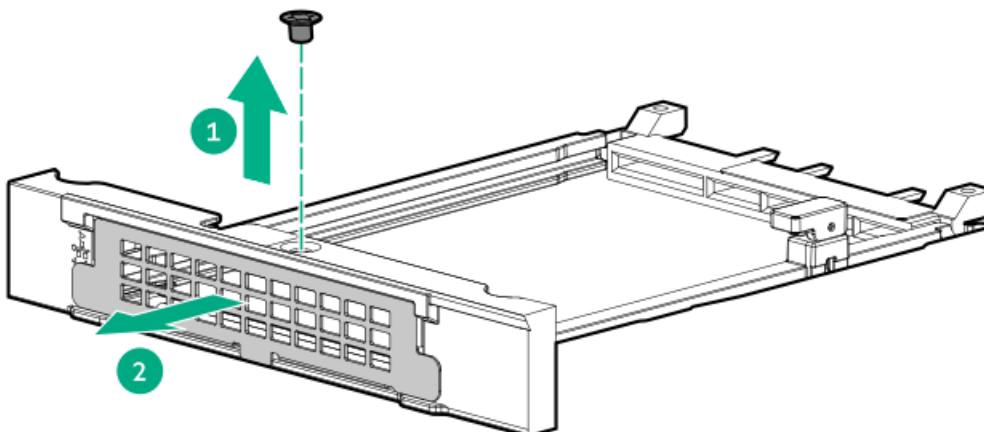


**CAUTION:** A discharge of static electricity from a finger or other conductor might damage system boards or other static-sensitive devices. To prevent damage, observe [antistatic precautions](#).

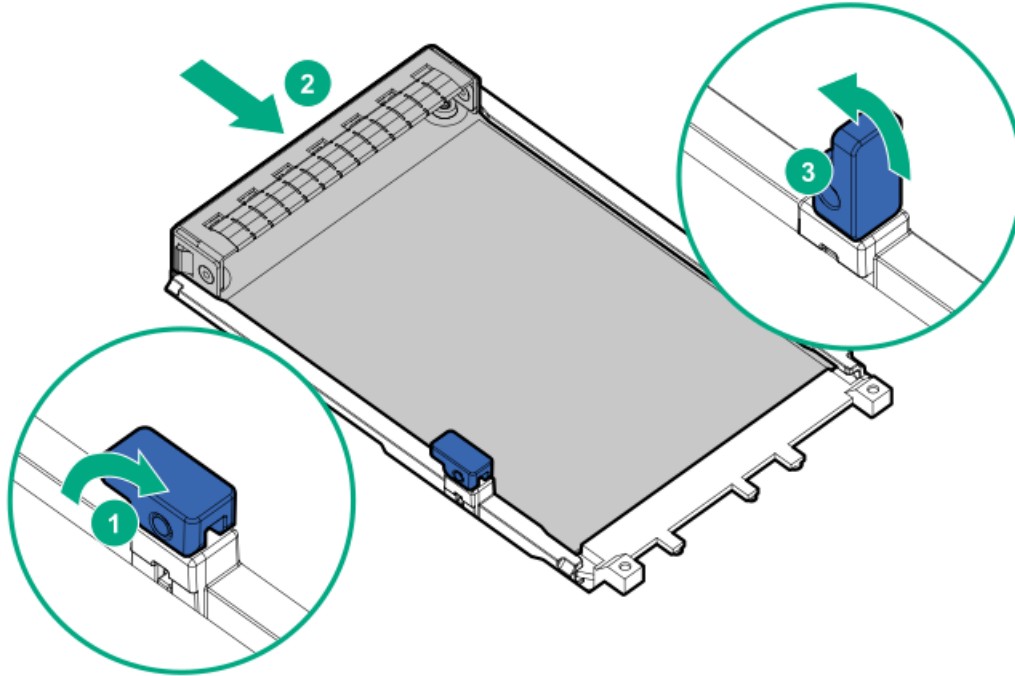
## Procedure

1. [Power down the server.](#)
2. If installed, [open the cable management arm.](#)
3. Remove all power:
  - a. Disconnect each power cord from the power source.
  - b. Disconnect each power cord from the server.
4. Disconnect all peripheral cables from the server.
5. [Remove the server from the rack.](#)
6. Place the server on a flat, level work surface.
7. [Remove the access panel.](#)
8. [Remove the secondary riser cage.](#)
9. Remove the OCP slot blank:
  - a. Remove the blank screw.
  - b. Remove the blank.

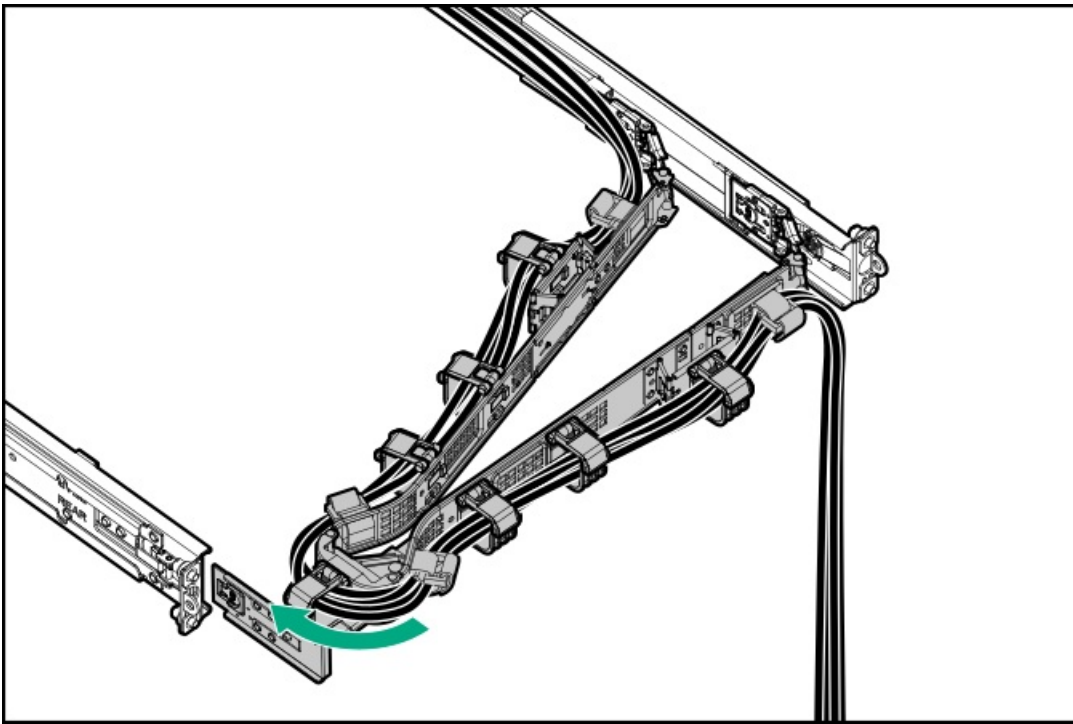
Retain the screw and blank for future use.



10. Install the type-o storage controller:
  - a. Rotate the locking pin to the open (vertical) position.
  - b. Slide the controller into the bay until it clicks into place.  
Make sure that the controller is seated firmly in the slot.
  - c. Rotate the locking pin to the close (horizontal) position.



11. Cable the type-o storage controller.
12. Install the secondary riser cage.
13. Install the access panel.
14. Install the server into the rack.
15. Connect all peripheral cables to the server.
16. Connect the power cords:
  - a. Connect each power cord to the server.
  - b. Connect each power cord to the power source.
17. If installed, close the cable management arm.



18. Power up the server.

## Results

The installation procedure is complete.

## OCP NIC 3.0 adapter option

The server supports SFF dual-port and quad-port OCP NIC 3.0 adapter options with various interfaces and advanced interconnect features for high-bandwidth applications.

### Subtopics

[Installing the OCP NIC 3.0 adapter](#)

## Installing the OCP NIC 3.0 adapter

### Prerequisites

Before you perform this procedure, make sure that you have a T-10 Torx screwdriver available.

### About this task



**CAUTION:** A discharge of static electricity from a finger or other conductor might damage system boards or other static-sensitive devices. To prevent damage, observe [antistatic precautions](#).

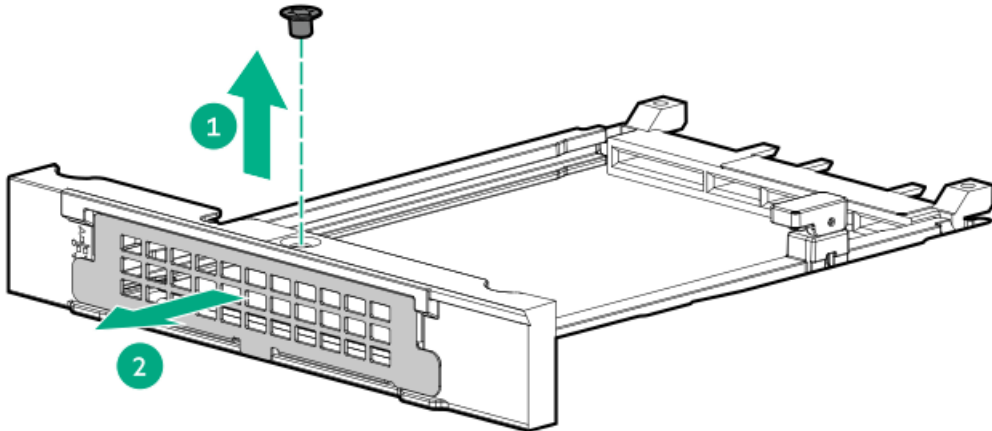


**CAUTION:**  
The port blank provides EMI shielding and helps maintain proper thermal status inside the server. Do not operate the server when a port blank is removed without the corresponding I/O port option installed.

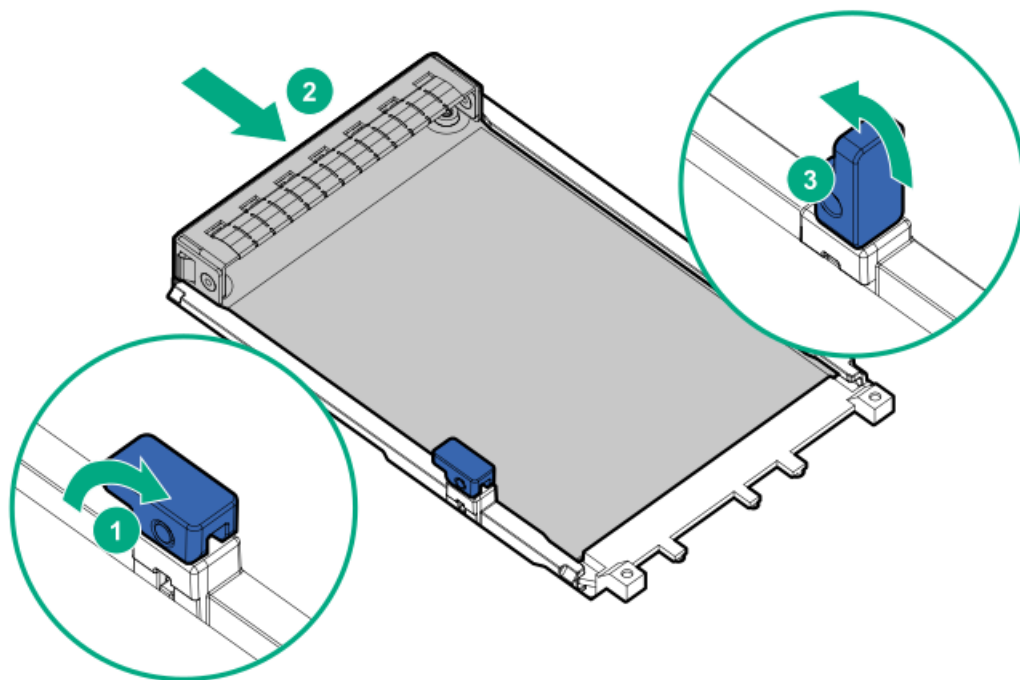


## Procedure

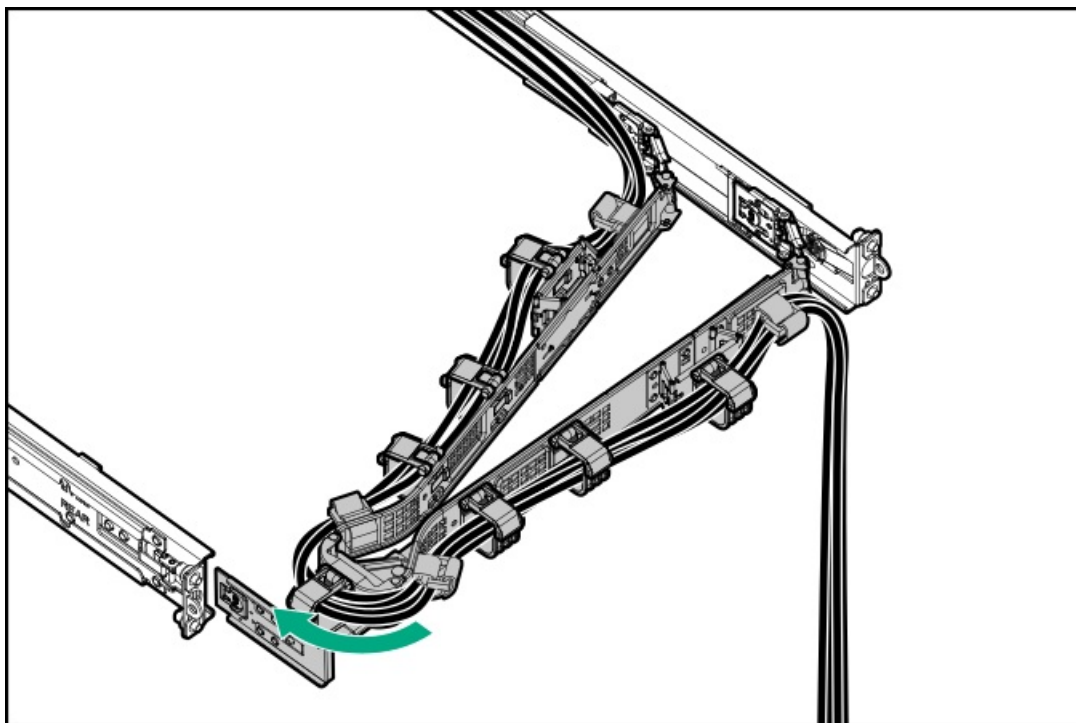
1. Power down the server.
2. If installed, open the cable management arm.
3. Remove all power:
  - a. Disconnect each power cord from the power source.
  - b. Disconnect each power cord from the server.
4. Disconnect all peripheral cables from the server.
5. Remove the server from the rack.
6. Place the server on a flat, level work surface.
7. Remove the access panel.
8. Remove the secondary riser cage.
9. Remove the OCP slot blank:
  - a. Remove the blank screw.
  - b. Remove the blank.Retain the screw and blank for future use.



10. Install the OCP NIC 3.0 adapter:
  - a. Rotate the locking pin to the open (vertical) position.
  - b. Slide the adapter into the bay until it clicks into place.  
Make sure that the adapter is seated firmly in the slot.
  - c. Rotate the locking pin to the close (horizontal) position.



11. Install the secondary riser cage.
12. Install the access panel.
13. Install the server into the rack.
14. Connect all peripheral cables to the server.
15. Connect the power cords:
  - a. Connect each power cord to the server.
  - b. Connect each power cord to the power source.
16. If installed, close the cable management arm.



17. Power up the server.



## Results

The installation procedure is complete.

## HPE NS204i-u Boot Device option

Note the following information about the HPE NS204i-u Boot Device option:

- The HPE NS204i-u Gen11 NVMe Hot Plug Boot Optimized Storage Device is a PCIe5 custom form factor module that includes two hot-pluggable 2280 M.2 NVMe SSDs.
- This boot device enables the deployed OS to be mirrored through a dedicated hardware RAID 1.
- The boot device auto-creates a RAID1 volume during boot. This means the boot device does not require further RAID configuration.
- This boot device is compatible with the following native OS:
  - Windows
  - Linux
  - VMware
- This boot device uses native inbox OS NVMe drivers.

### Subtopics

[Installing the HPE NS204i-u Boot Device](#)

## Installing the HPE NS204i-u Boot Device

### Prerequisites

Before beginning installation, make sure that the server is updated with the latest operating system firmware and drivers.

Before you perform this procedure, make sure that you have the following items available:

- T-15 Torx screwdriver
- Phillips No. 1 screwdriver

### About this task

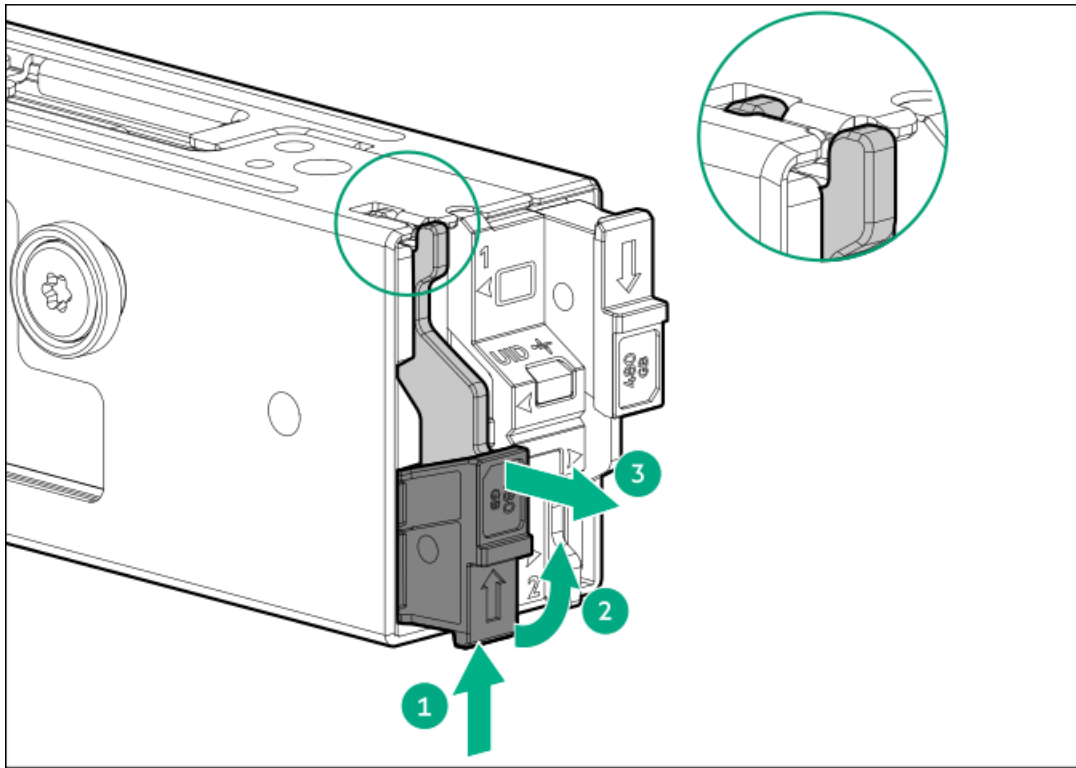


**CAUTION:** A discharge of static electricity from a finger or other conductor might damage system boards or other static-sensitive devices. To prevent damage, observe [antistatic precautions](#).

### Procedure

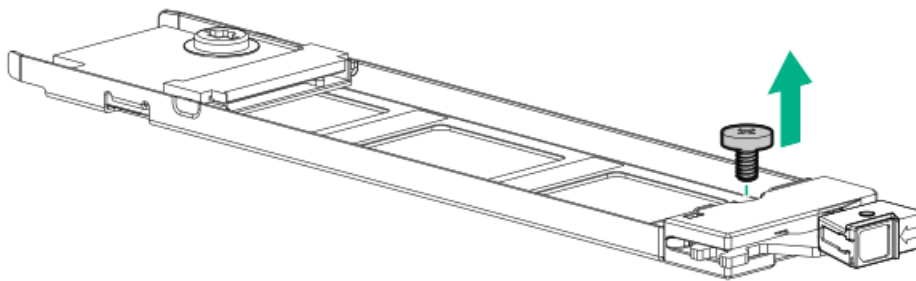
#### Installing drives onto the boot device

1. Remove the boot device carrier:
  - a. Press and hold the carrier latch.
  - b. Pivot the latch to open.
  - c. Slide the carrier out from the boot device cage.

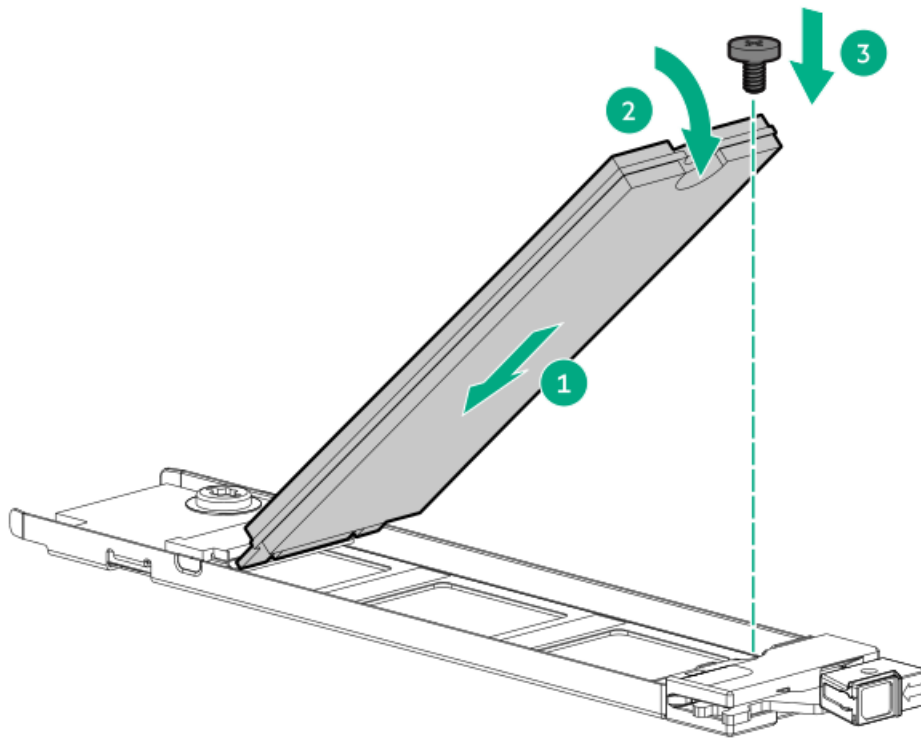


2. Install the SSD on the boot device carrier:

- a. Remove the SSD mounting screw.



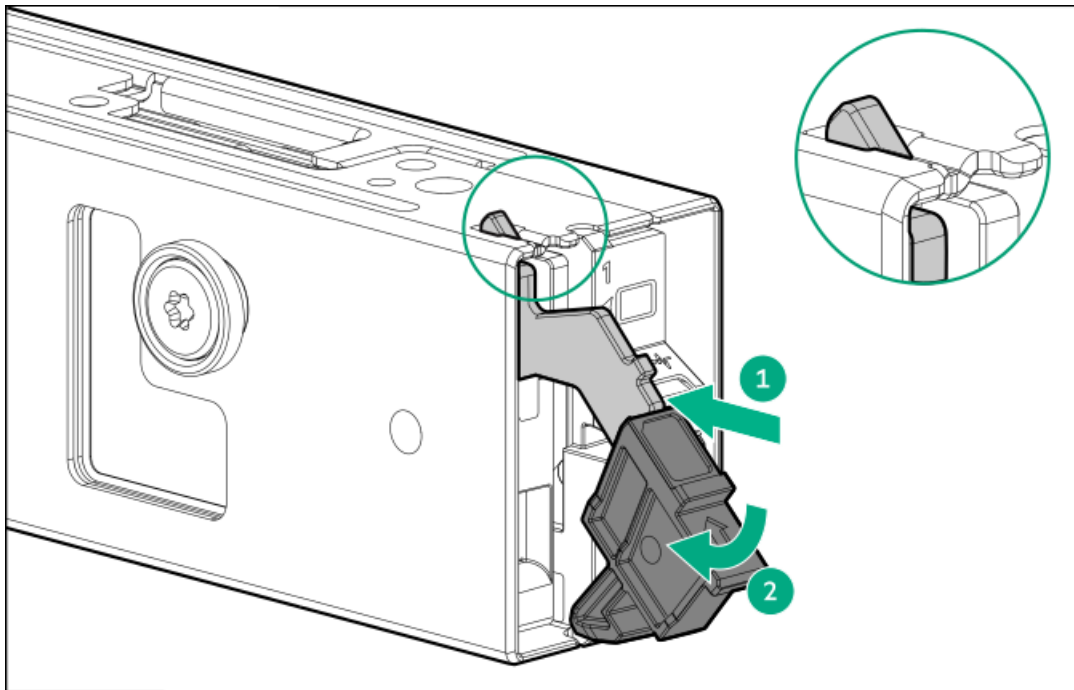
- b. Insert the SSD into the M.2 slot at a 45° angle.
- c. Carefully press the SSD down to the horizontal position.
- d. Install the SSD mounting screw.



3. Install the boot device carriers:

- a. If closed, pivot the carrier latch to open.
- b. Slide the carrier into the boot device cage.
- c. Pivot the latch to close.

Make sure that the carrier latch is locked on the boot device cage.

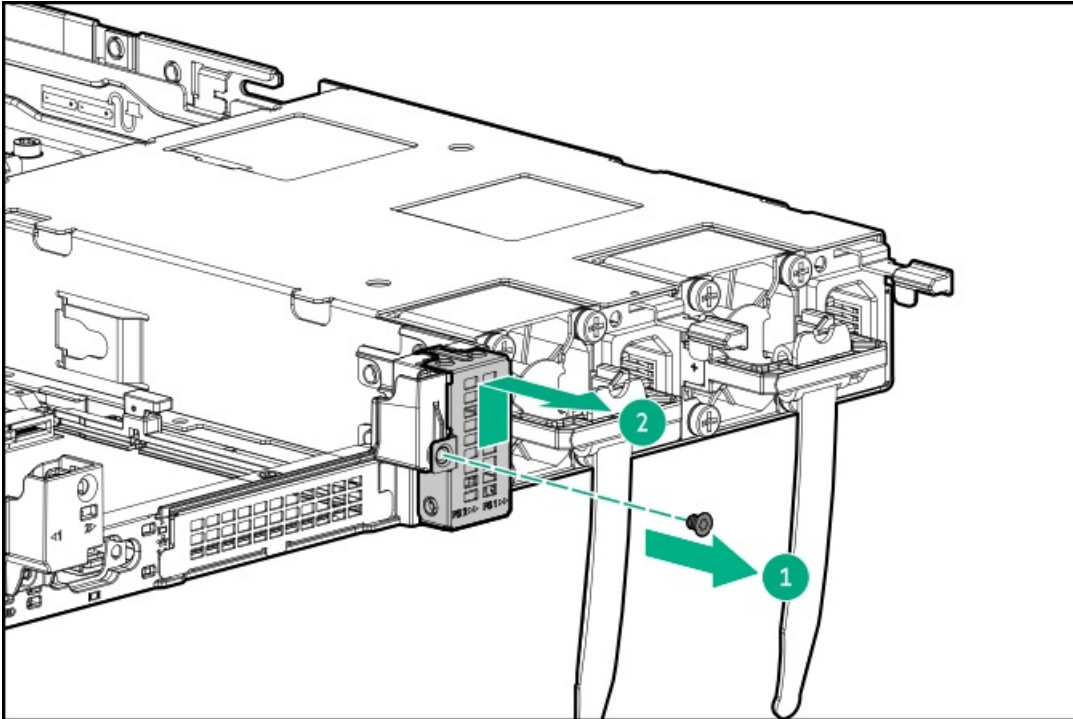


**Installing the boot device**

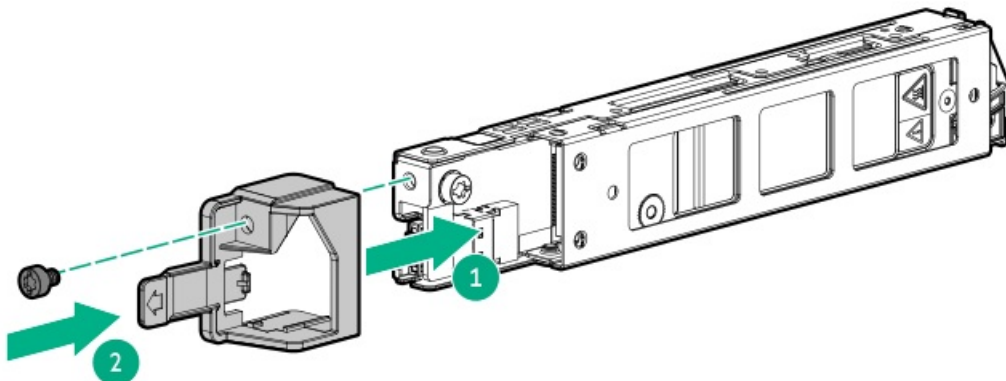
- 4. If installed, remove the front bezel.
- 5. Power down the server.
- 6. If installed, open the cable management arm.



7. Remove all power:
  - a. Disconnect each power cord from the power source.
  - b. Disconnect each power cord from the server.
8. Disconnect all peripheral cables from the server.
9. Remove the server from the rack.
10. Place the server on a flat, level work surface.
11. Remove the access panel.
12. Remove the secondary riser cage.
13. Remove the security cover to allow hot-plug access to the SSDs.



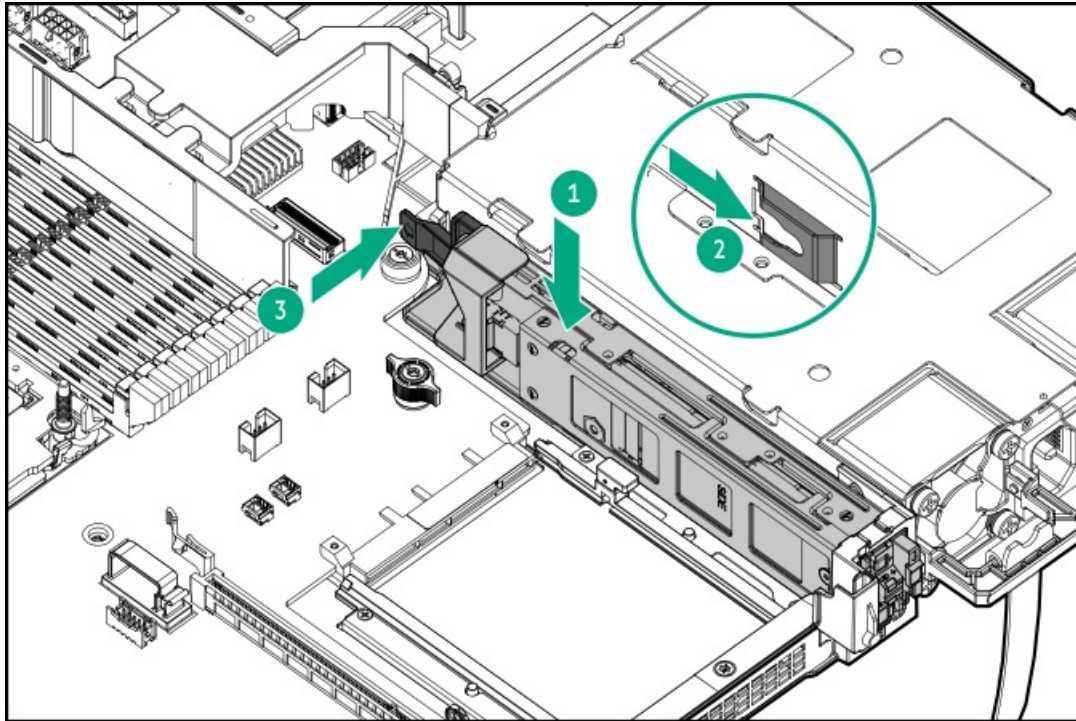
14. Install the latch onto the boot device.
  - a. Slide the latch onto the boot device.
  - b. Install the screw.



15. Install the boot device:



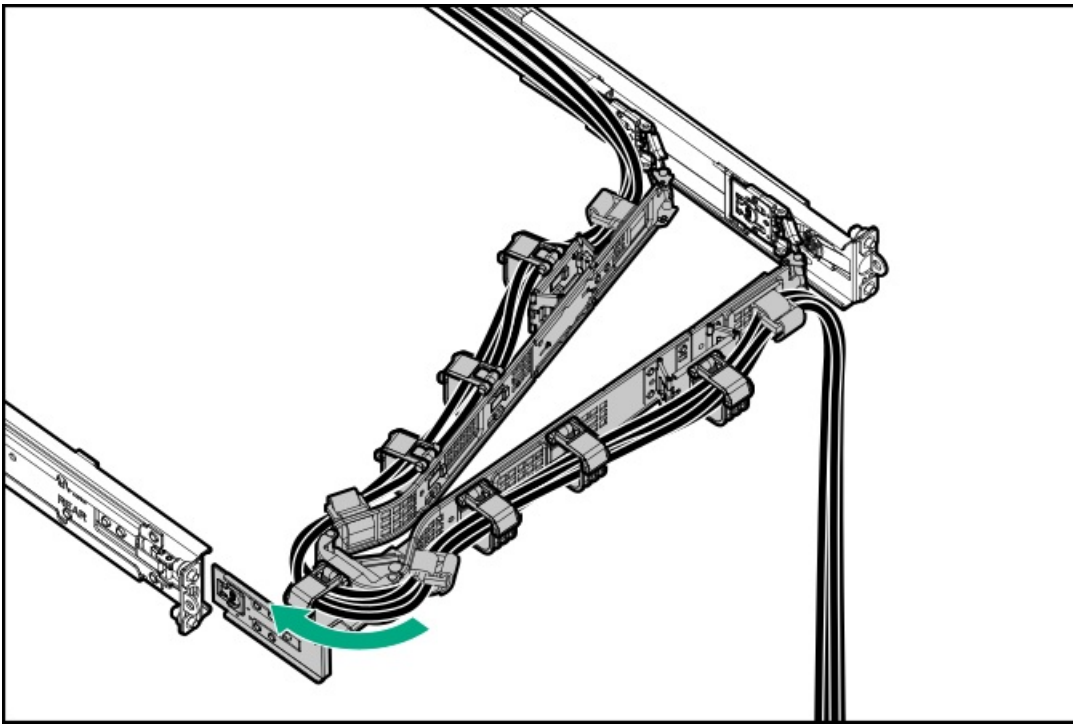
- a. Slide the boot device assembly into the latches.
- b. Push the boot device assembly to the left and against the power supply cage.



16. Cable the boot device.
17. Install the secondary riser cage.
18. Install the access panel.
19. Install the server into the rack.
20. Connect all peripheral cables to the server.
21. Connect the power cords:
  - a. Connect each power cord to the server.
  - b. Connect each power cord to the power source.
22. If installed, close the cable management arm.







23. [Power up the server.](#)
24. If removed, [install the front bezel.](#)

## Results

The installation procedure is complete.

## M.2 SSD options

The server supports the installation of M.2 SATA and NVMe SSD options for:

- Booting up from flash solution
- Data backup/redundancy

In this server, M.2 SSD support is provided through the following options:

- [Installing the HPE NS204i-u controller option](#)
- [Installing an M.2 SSD](#)

### Subtopics

[Installing an M.2 SSD](#)

## Installing an M.2 SSD

### Prerequisites

- Use Intel VROC to configure M.2 SSDs.
- If you are installing M.2 NVMe SSDs, the Intel VROC Standard license is required to support the RAID 0/1 configuration. For more information on Intel VROC licenses, see the product QuickSpecs:





<https://www.hpe.com/info/quickspecs>

- Before beginning installation, make sure that the server is updated with the latest operating system firmware and drivers.
- Before beginning installation, make sure that the server is updated with the latest operating system firmware and drivers.
- Before you perform this procedure, make sure that you have a Phillips No. 1 screwdriver available.

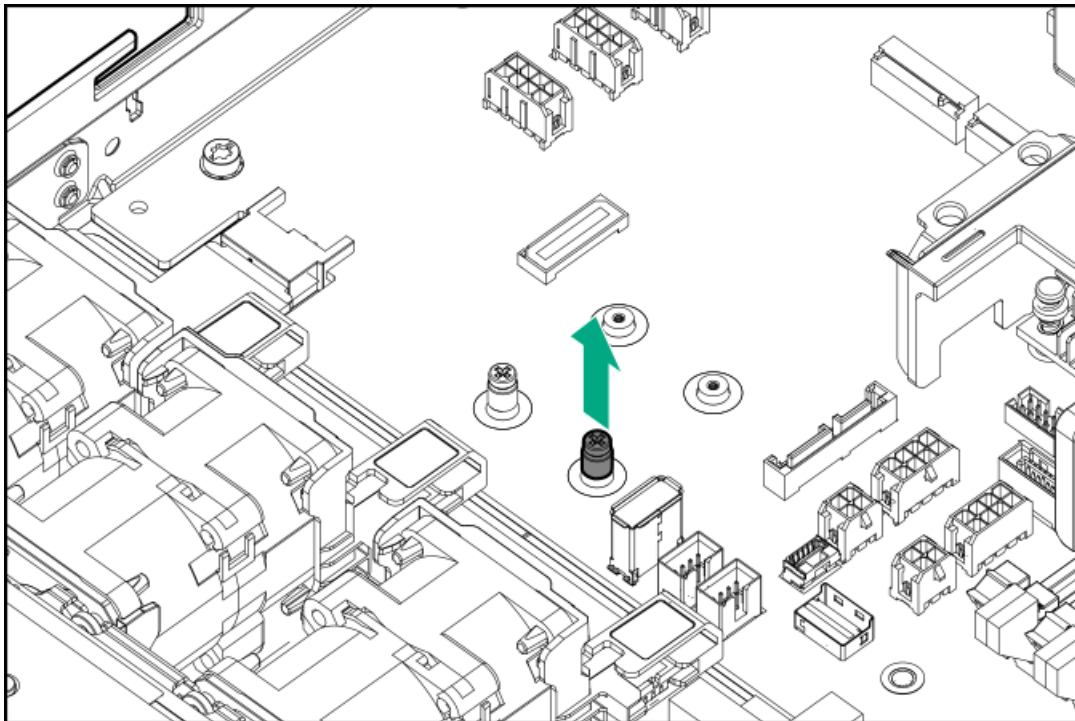
## About this task



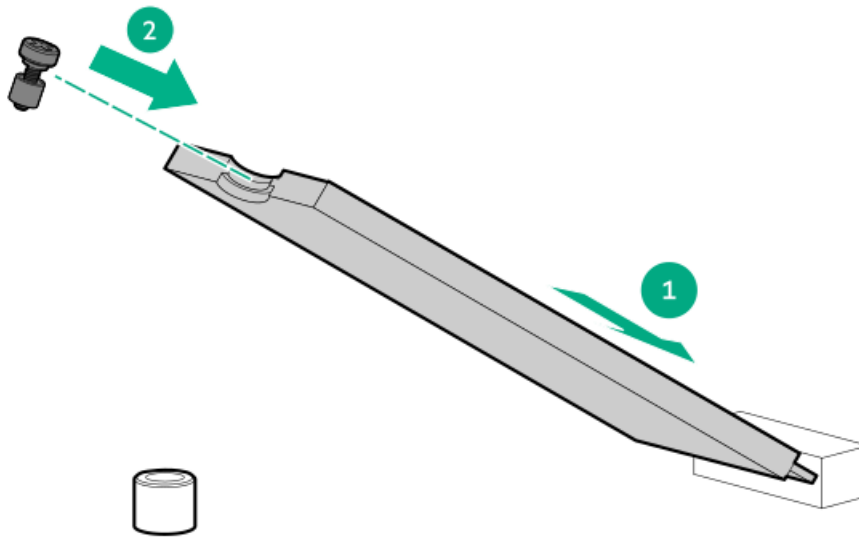
**CAUTION:** A discharge of static electricity from a finger or other conductor might damage system boards or other static-sensitive devices. To prevent damage, observe antistatic precautions.

## Procedure

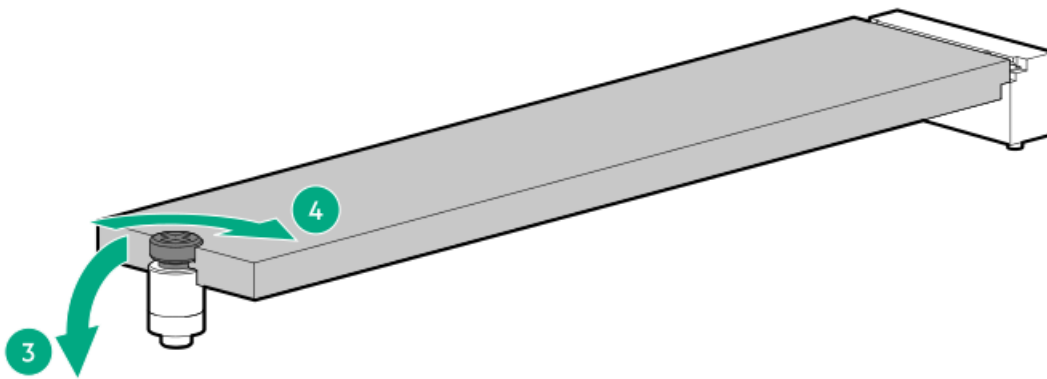
1. Power down the server.
2. If installed, open the cable management arm.
3. Remove all power:
  - a. Disconnect each power cord from the power source.
  - b. Disconnect each power cord from the server.
4. Disconnect all peripheral cables from the server.
5. Remove the server from the rack.
6. Place the server on a flat, level work surface.
7. Remove the access panel.
8. Remove the M.2 air baffle.
9. Remove the SSD jack screw from the M.2 location where you intend to install the new SSD.



10. Install the M.2 SSD:
  - a. Insert the SSD into the M.2 slot.
  - b. Position the jack screw on the SSD notch.

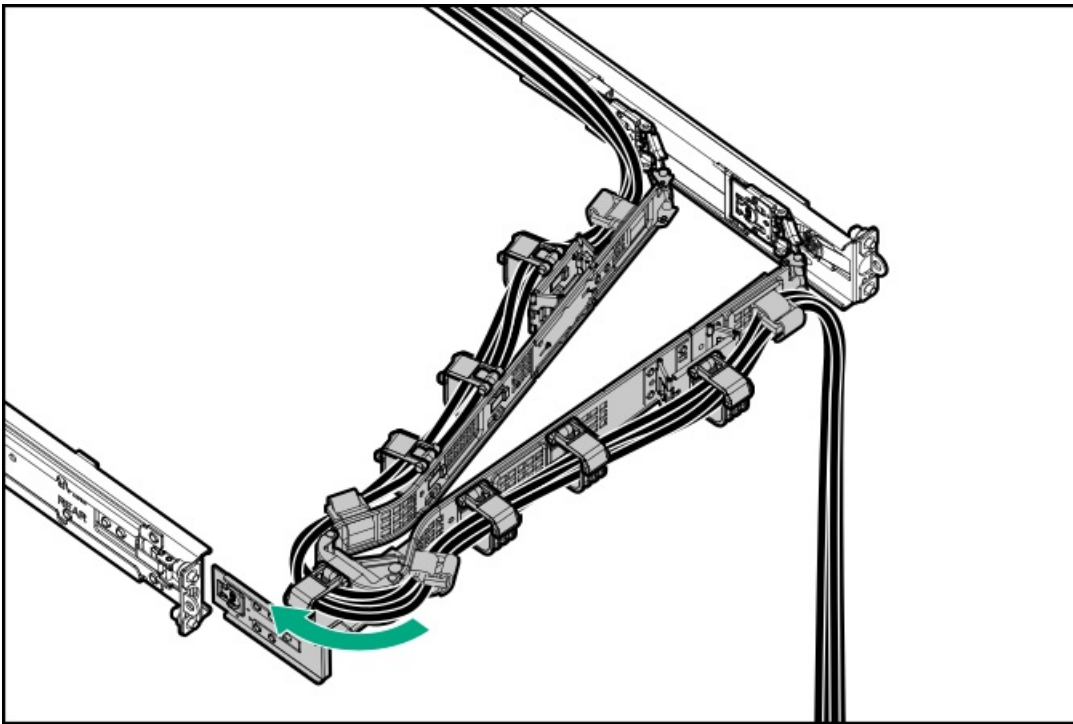


- c. Carefully press the SSD down to the horizontal position.
- d. Tighten the SSD jack screw.



- 11. Install the M.2 air baffle.
- 12. Install the access panel.
- 13. Install the server into the rack.
- 14. Connect all peripheral cables to the server.
- 15. Connect the power cords:
  - a. Connect each power cord to the server.
  - b. Connect each power cord to the power source.
- 16. If installed, close the cable management arm.





17. [Power up the server.](#)

## Results

The installation procedure is complete.

## Processor heatsink assembly option

### Subtopics

[Processor cautions](#)

[Installing a processor heatsink assembly](#)

[Reconfiguring the system date and time settings](#)

## Processor cautions



**CAUTION:** To avoid damage to the processor or system board, only authorized personnel should attempt to replace or install the processor in this server.



**CAUTION:** To prevent possible server malfunction and damage to the equipment, multiprocessor configurations must contain processors with the same part number.



**CAUTION:** The pins on the processor socket and on the processor are very fragile and easily damaged. To avoid component damage, do not touch these pins. Any damage to them might require replacing the system board and/or processor.



**IMPORTANT:** Processor socket 1 must be populated at all times or the server does not function.





**IMPORTANT:** If installing a processor with a faster speed, update the system ROM before installing the processor. To download firmware, see [Updating firmware or system ROM](#).



**IMPORTANT:**

After removing a processor from the system board, the server resets the date and time. For information on reconfiguring these settings, see [Reconfiguring the system date and time settings](#).

## Installing a processor heatsink assembly

### Prerequisites

Before you perform this procedure, make sure that you have a T-30 Torx screwdriver available.

### About this task

This server supports Intel® Xeon® Scalable Processor XCC and Intel® Xeon® Scalable Processor MCC where the keying features are different between the two processors. The processor carrier clip for an Intel® Xeon® Scalable Processor XCC is E1A. The processor carrier clip for an Intel® Xeon® Scalable Processor MCC is E1B.



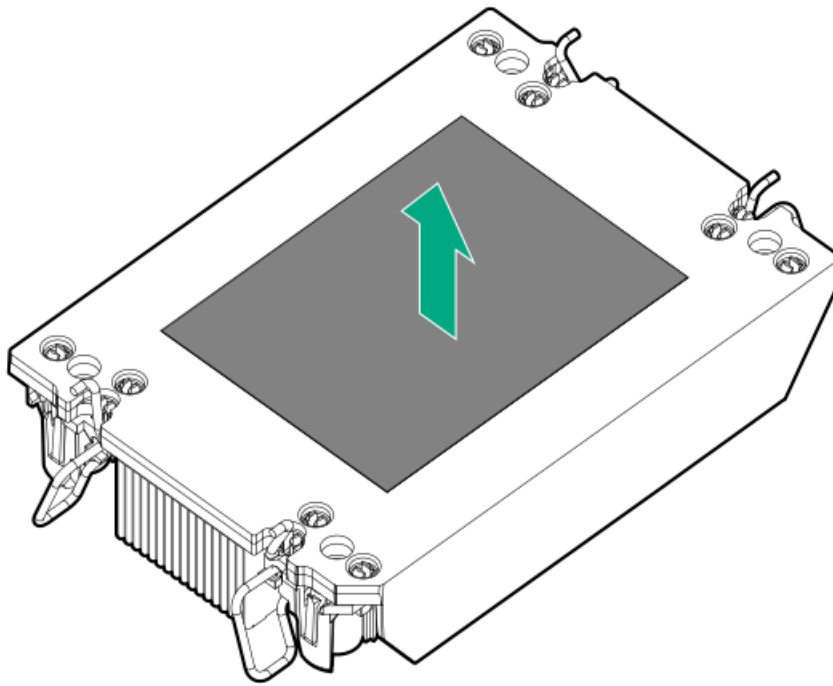
**CAUTION:** A discharge of static electricity from a finger or other conductor might damage system boards or other static-sensitive devices. To prevent damage, observe [antistatic precautions](#).

### Procedure

1. [Power down the server](#).
2. If installed, [open the cable management arm](#).
3. Remove all power:
  - a. Disconnect each power cord from the power source.
  - b. Disconnect each power cord from the server.
4. Disconnect all peripheral cables from the server.
5. [Remove the server from the rack](#).
6. Place the server on a flat, level work surface.
7. [Remove the access panel](#).
8. Remove the protective film from the thermal interface material.

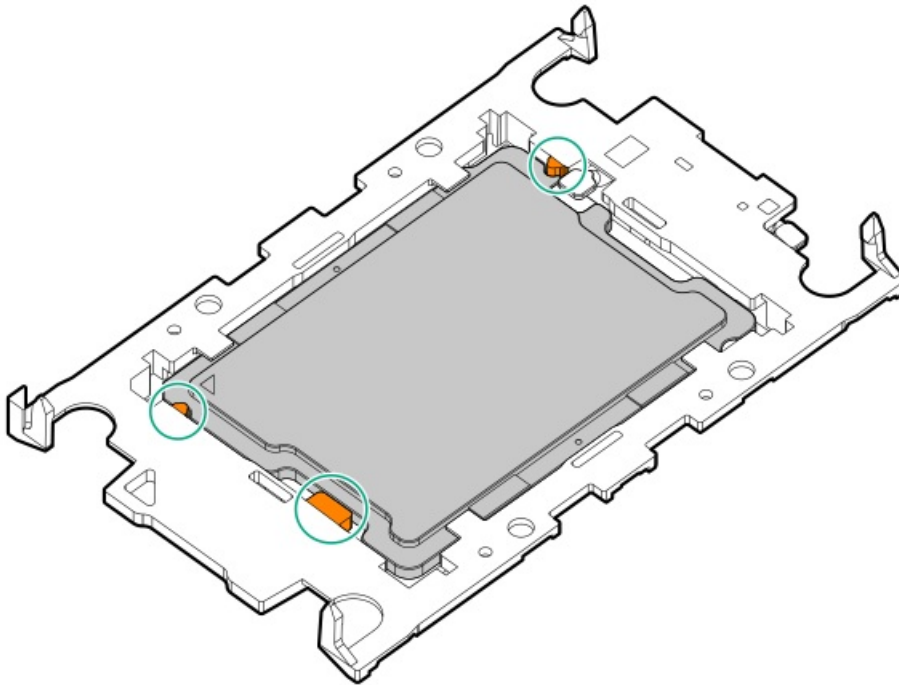


**CAUTION:** To prevent mechanical damage or depositing oil on your hands or other contaminants to the heatsink contact surface, hold the heatsink only by the edge of its base plate. Do not touch the heatsink fins.



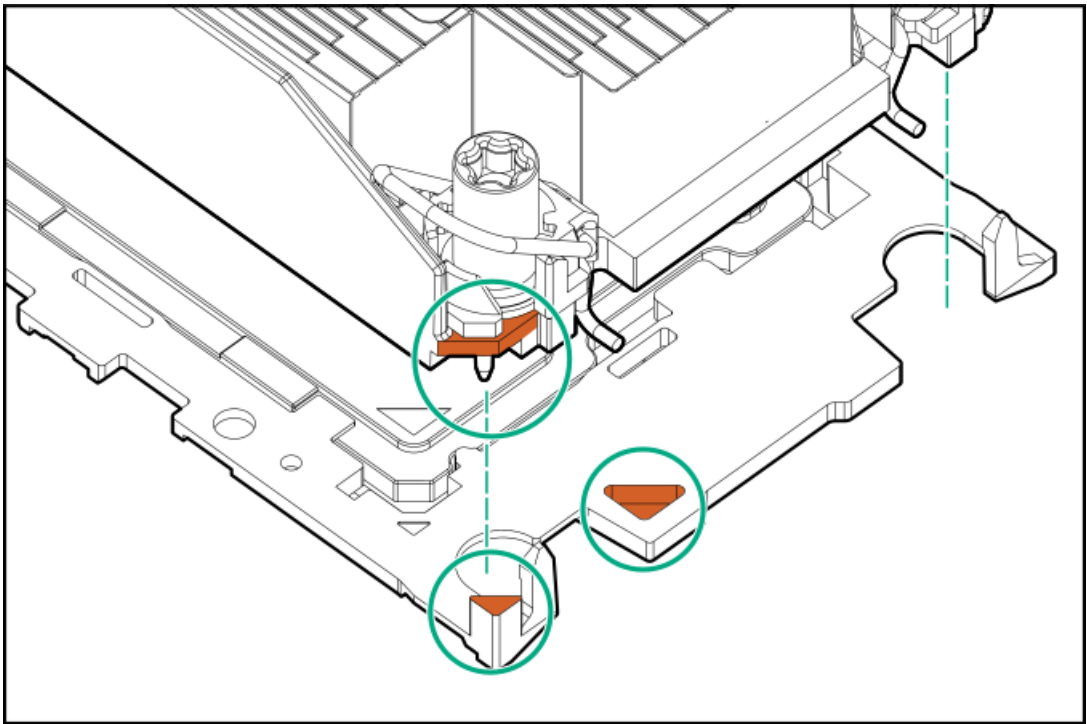
9. Verify that the processor is securely latched to the processor carrier.

The following illustration calls out the keying feature tabs that secure the processor. Different processor carriers will have these tabs in different locations.



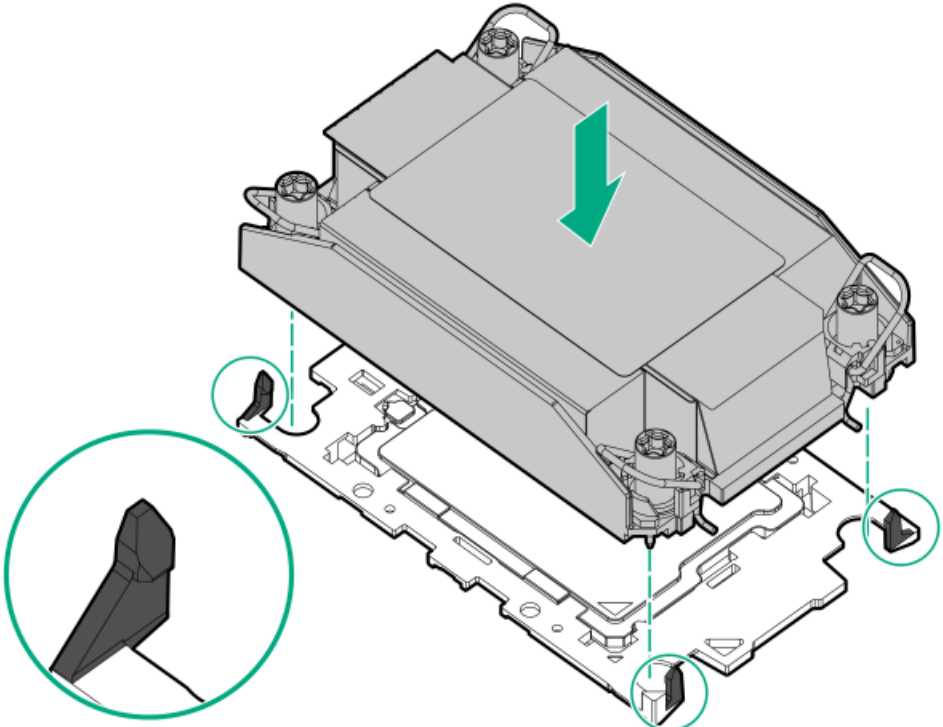
10. Attach the heatsink to the processor carrier:
  - a. Align the pin 1 indicator on the processor carrier with that on the heatsink.





b. Lower the heatsink on the processor carrier until the carrier tabs snap into place.  
 There will be an audible click to indicate that the heatsink is properly latched on the processor carrier.

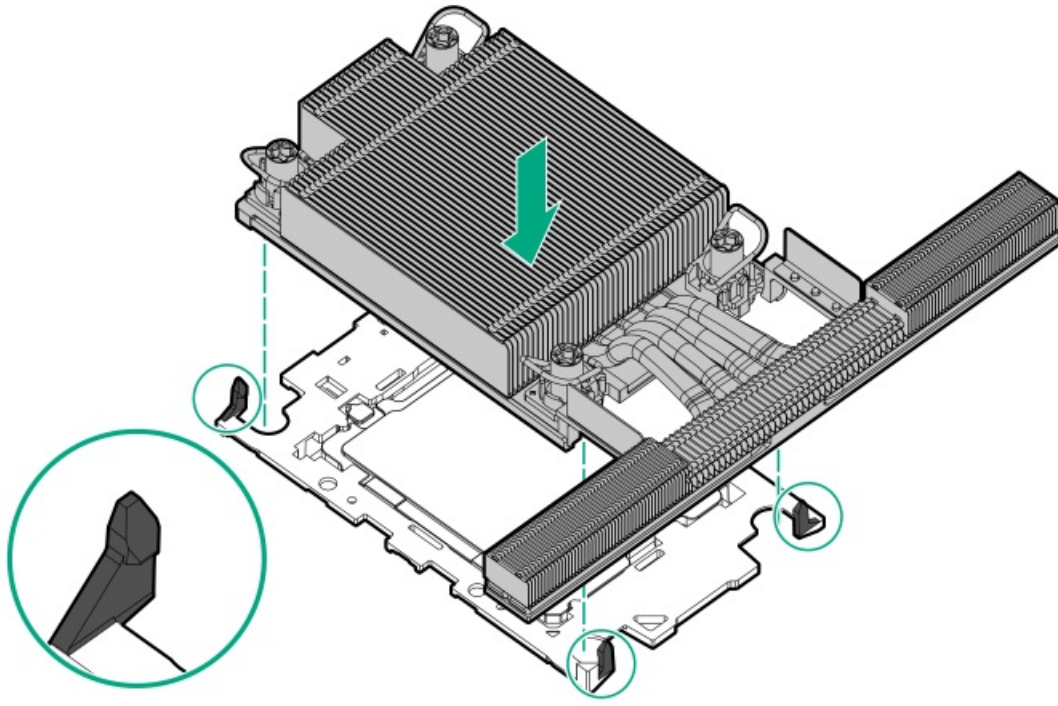
- Standard heatsink



- Performance heatsink

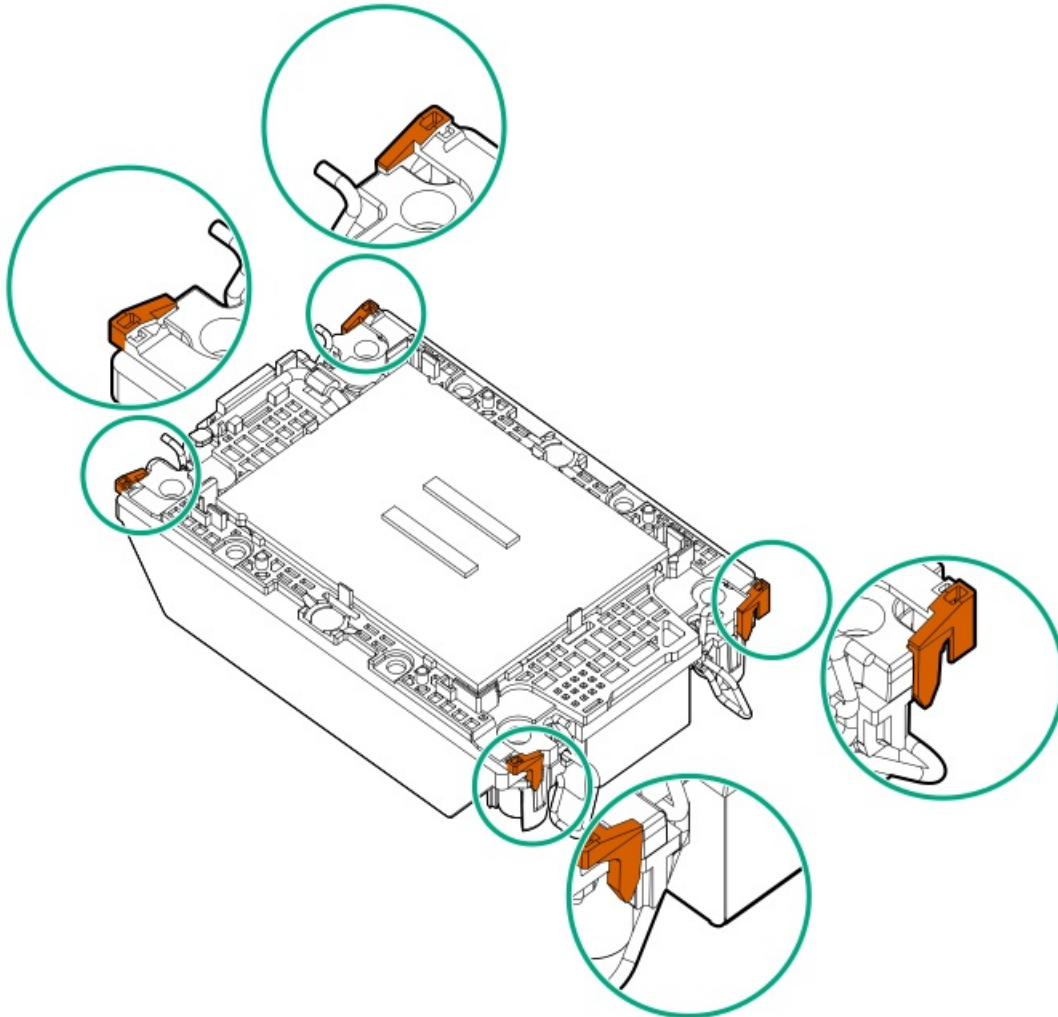




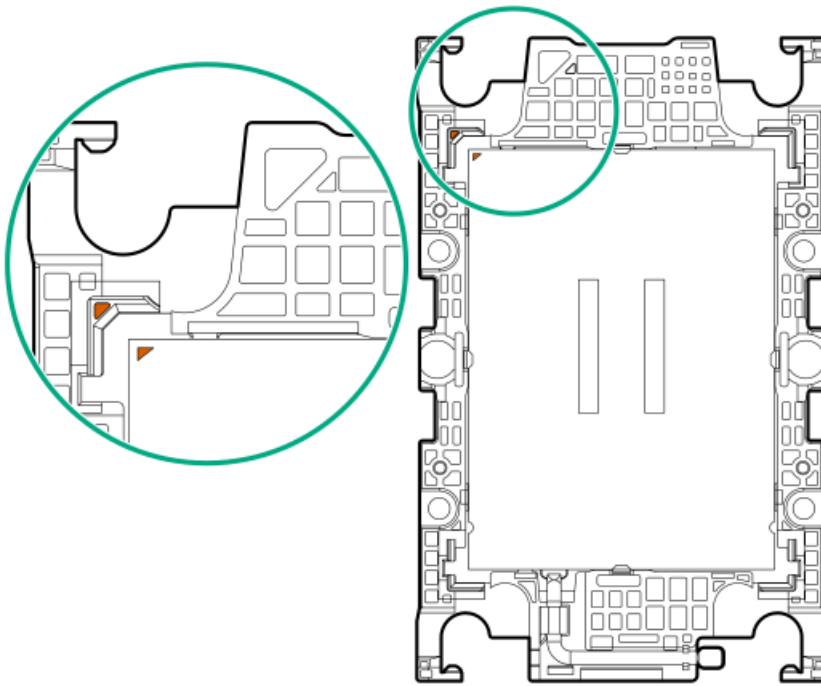


11. Perform the following verification steps:

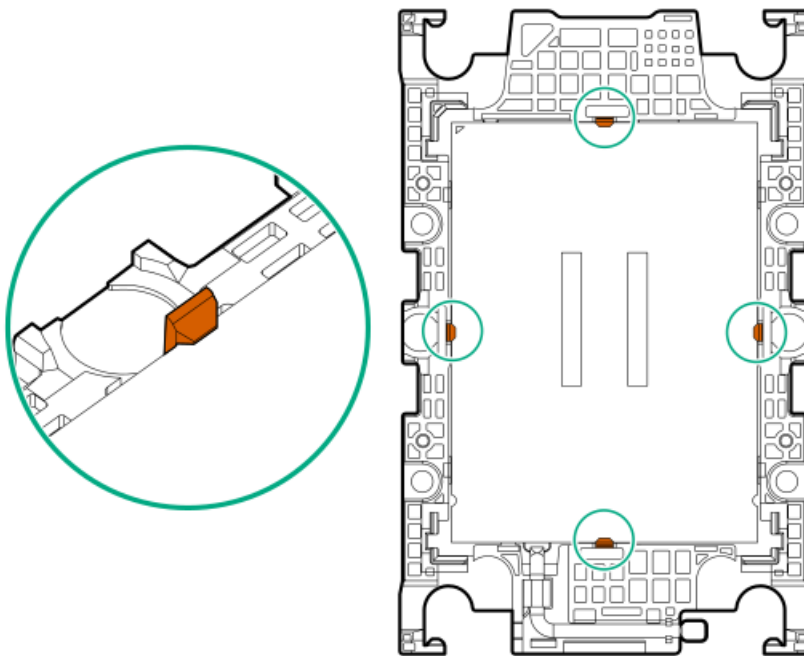
- a. Verify that the tabs on the processor carrier are securely latched on the heatsink.



b. Verify that the pin 1 indicators on the processor and processor carrier are aligned.



c. Verify that the processor is properly secured by the carrier snaps.



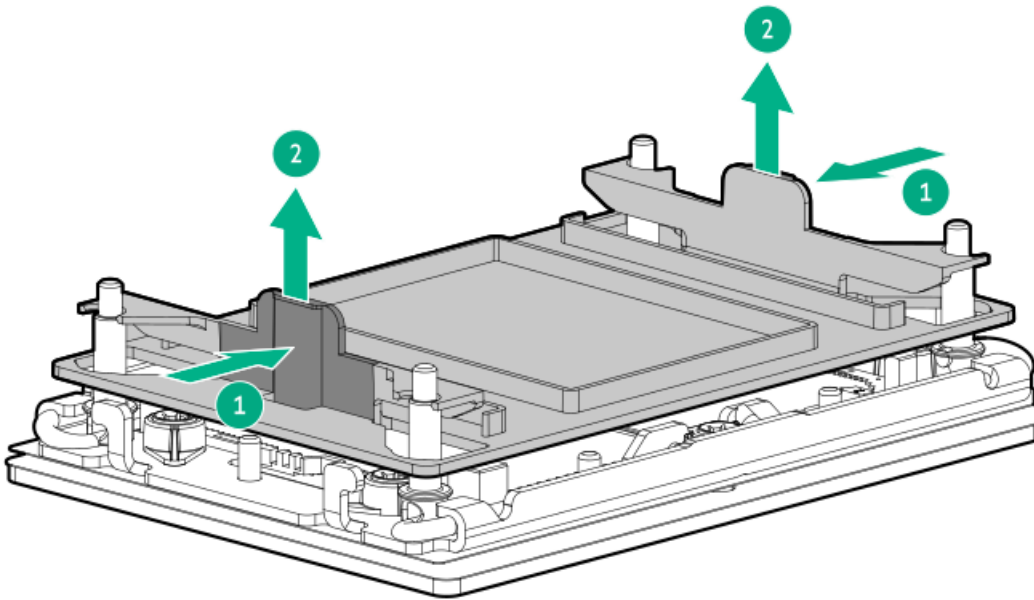
12. Remove the dust cover from the processor socket:

- a. Press and hold the grip tabs on the dust cover.
- b. Lift the dust cover away from the bolster plate.

Retain the cover for future use.







13.



**CAUTION:**

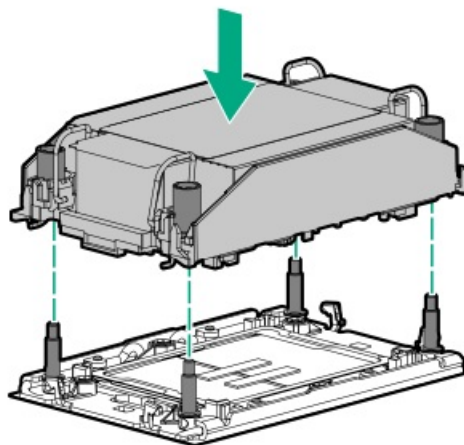
To prevent thermal failure or component damage, do not move the heatsink once the bottom of its base plate touches the top of the processor. Excessive heatsink movement can cause the thermal grease to smear and become uneven. Voids in the compound can adversely impact the transfer of heat away from the processor.

Install the processor-heatsink module:

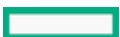
- a. When using a torque wrench to tighten the heatsink screws, set 0.9 N-m (8 in-lb) of torque .
- b. Note the **Front of server** text on the heatsink label to correctly orient the processor-heatsink module over the bolster plate.
- c. Carefully lower the processor-heatsink module straight down onto the bolster plate guide posts.

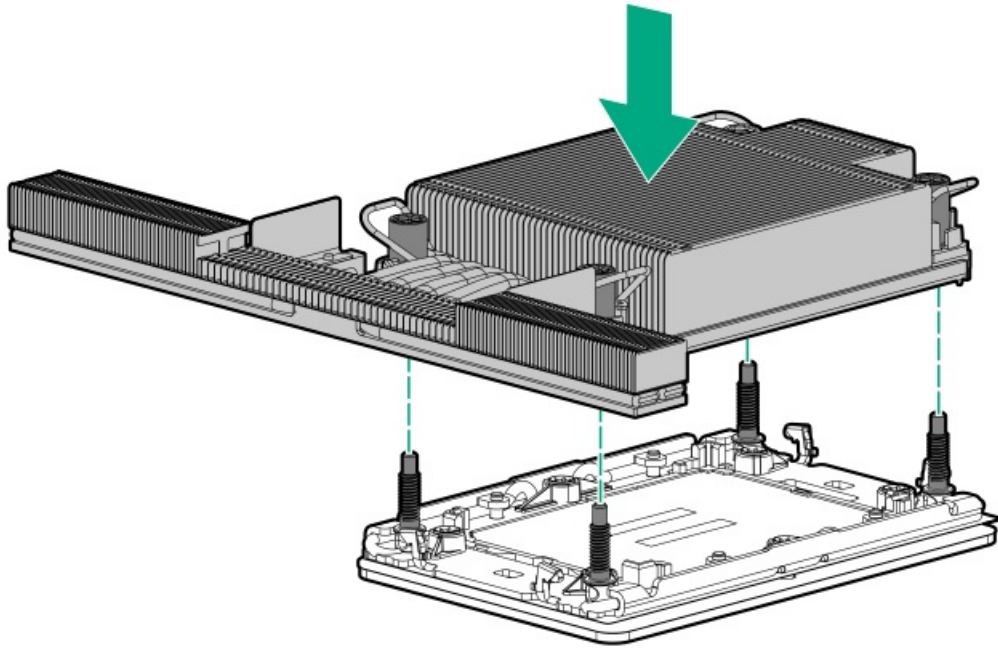
The posts are keyed so that the module can only be installed one way. Make sure that the module is properly seated on the bolster plate before securing the screws.

- Standard heatsink

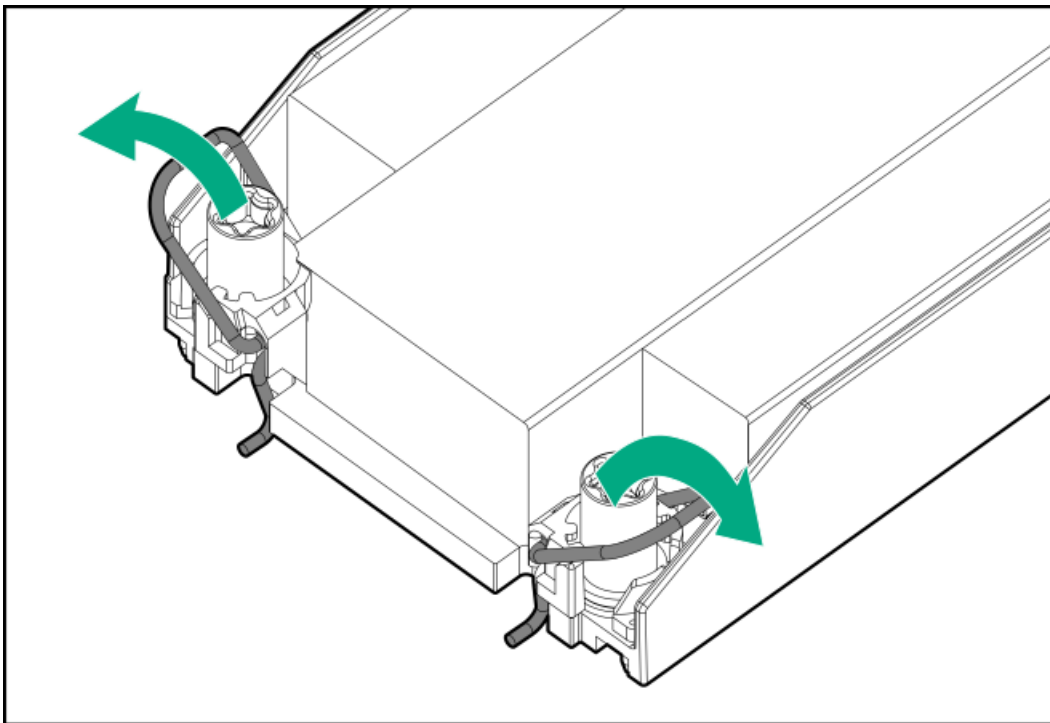


- Performance heatsink





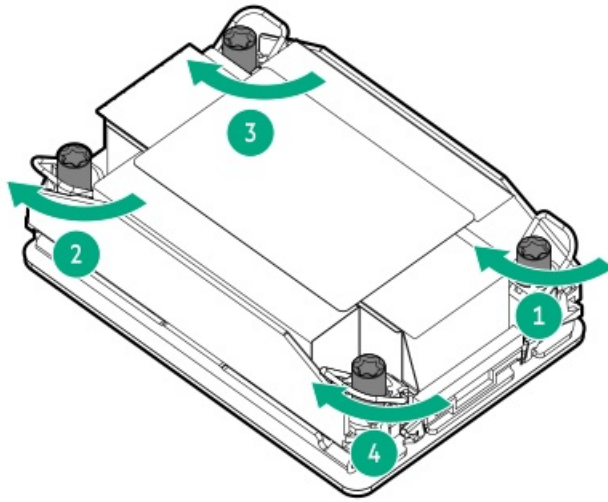
d. Set the anti-tilt wires to the locked position.



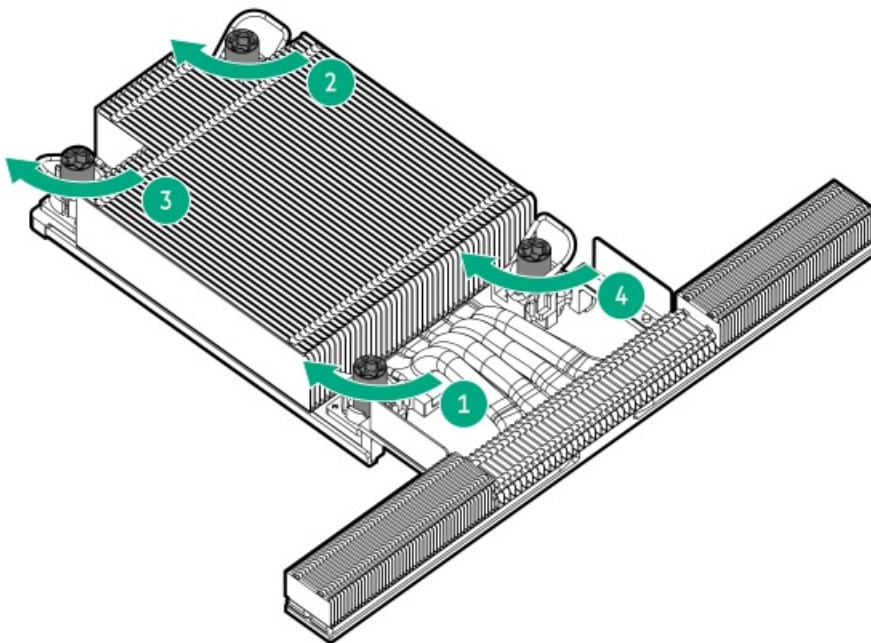
e. Tighten one pair of diagonally opposite heatsink screws, and then tighten the other pair of heatsink screws.

- Standard heatsink



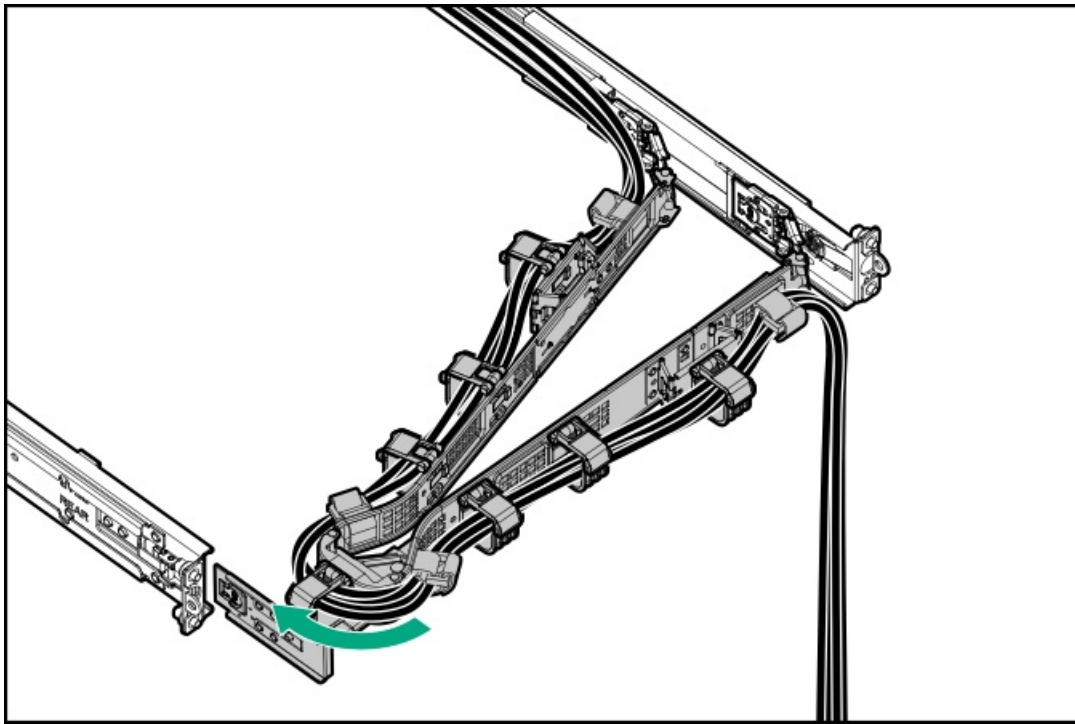


- Performance heatsink



14. Install the access panel.
15. Install the server into the rack.
16. Connect all peripheral cables to the server.
17. Connect the power cords:
  - a. Connect each power cord to the server.
  - b. Connect each power cord to the power source.
18. If installed, close the cable management arm.





19. [Power up the server.](#)
20. [Reconfigure the system date and time settings.](#)

## Results

The installation procedure is complete.

## Reconfiguring the system date and time settings

### Procedure

1. Access the UEFI System Utilities. During POST, press **F9**.
2. From the System Utilities screen, select **System Configuration > BIOS/Platform Configuration (RBSU) > Date and Time**.
3. Select a setting, and then complete your entry.
  - **Date (mm-dd-yyyy)**—Enter the date in a month-day-year (mm-dd-yyyy) format.
  - **Time (hh:mm:ss)**—Enter the time in a 24-hour format (hh:mm:ss) format.
  - **Hour Format**—Select either a 12- or 24-hours format. (This setting is supported in Gen10 Plus and later servers.)
  - **Time Format**
    - **Coordinated Universal Time (UTC)**—Calculates the time stored in the hardware real-time clock (RTC) from the associated **Time Zone** setting.
    - **Local Time**—Removes the use of the **Time Zone** setting. This option is useful for addressing interaction issues in Windows operating systems set in legacy BIOS boot mode.
  - **Time Zone**—Select the time zone for the system.
  - **Daylight Savings Time**
    - **Enabled**—Adjusts the local time displayed by one hour for Daylight Savings Time.

- Disabled—Does not adjust the local time displayed for Daylight Savings Time.
4. To confirm and save the settings, press **F12**.

The server automatically reboots.

## Serial port option

Install the serial port option to enable communication to physical serial devices. You can also use the serial connection to remotely access the system BIOS and view POST error messages.

### Subtopics

#### [Installing the serial port](#)

## Installing the serial port

### Prerequisites

Before you perform this procedure, make sure that you have the following items available:

- Hex screwdriver
- Spudger or any small prying tool

### About this task



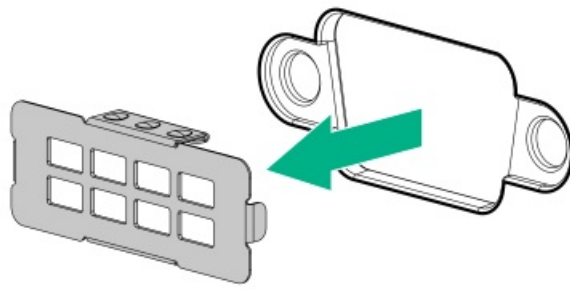
**CAUTION:** A discharge of static electricity from a finger or other conductor might damage system boards or other static-sensitive devices. To prevent damage, observe [antistatic precautions](#).



**CAUTION:**  
The port blank provides EMI shielding and helps maintain proper thermal status inside the server. Do not operate the server when a port blank is removed without the corresponding I/O port option installed.

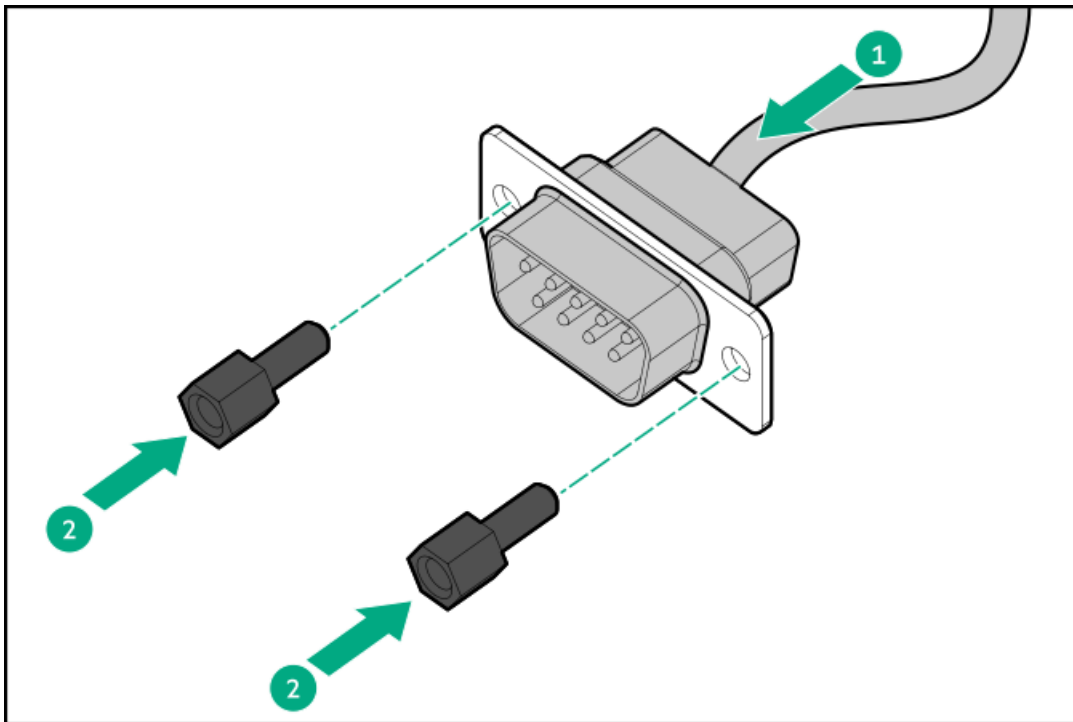
### Procedure

1. [Power down the server](#).
2. If installed, [open the cable management arm](#).
3. Remove all power:
  - a. Disconnect each power cord from the power source.
  - b. Disconnect each power cord from the server.
4. Disconnect all peripheral cables from the server.
5. [Remove the server from the rack](#).
6. Place the server on a flat, level work surface.
7. [Remove the access panel](#).
8. [Remove the primary riser cage](#).
9. Remove the serial port blank.



10. Install the serial port cable:

- a. Insert the serial port into the rear panel opening.
- b. Install the hex screws.



11. Cable the serial port.

12. Install the primary riser cage.

13. Install the access panel.

14. Install the server into the rack.

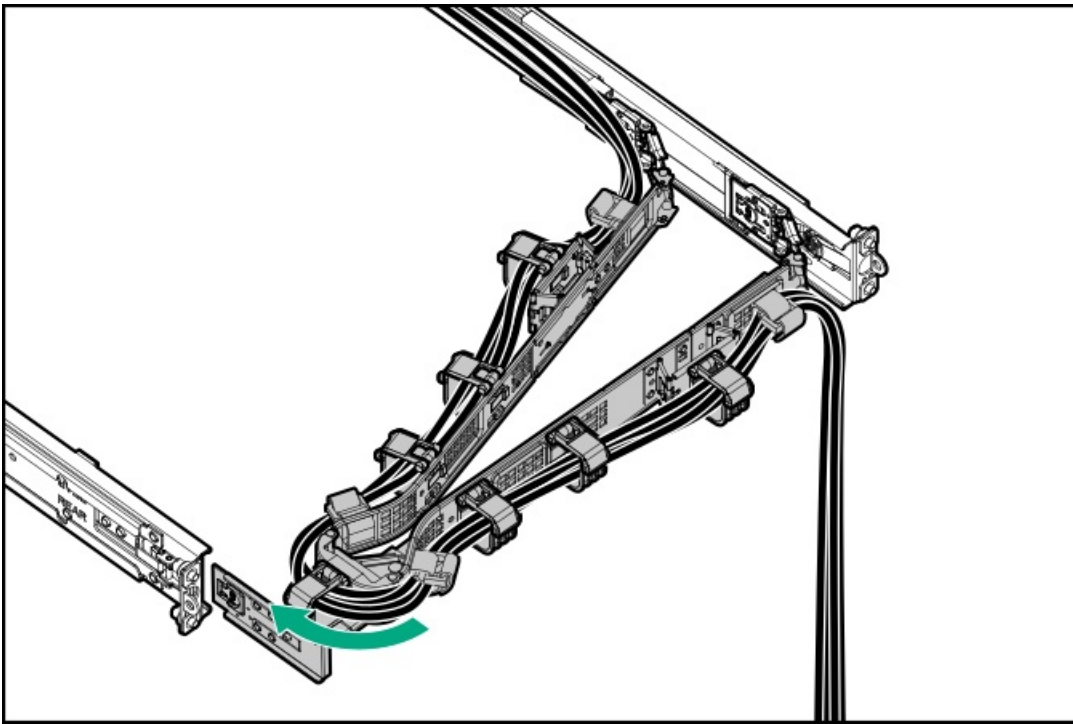
15. Connect all peripheral cables to the server.

16. Connect the power cords:

- a. Connect each power cord to the server.
- b. Connect each power cord to the power source.

17. If installed, close the cable management arm.





18. Power up the server.

## Results

The installation procedure is complete.

## Chassis intrusion detection switch option

The chassis intrusion detection switch enables iLO to record an event in the Integrated Management Log (IML) whenever the access panel is physically opened or removed. An alert is also sent to the BIOS whenever a chassis intrusion is detected. The chassis intrusion detection occurs as long as the server is plugged in, regardless of whether the server is powered on or off.

### Subtopics

#### Installing the chassis intrusion detection switch

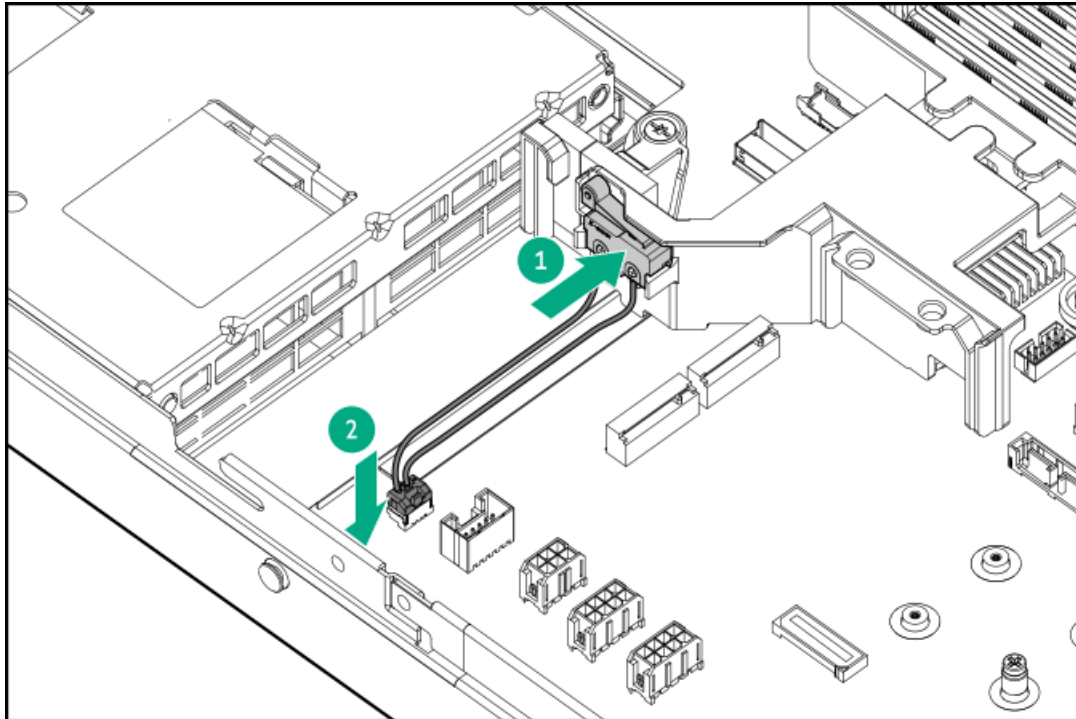
## Installing the chassis intrusion detection switch

### Procedure

1. Power down the server.
2. If installed, open the cable management arm.
3. Remove all power:
  - a. Disconnect each power cord from the power source.
  - b. Disconnect each power cord from the server.
4. Disconnect all peripheral cables from the server.
5. Remove the server from the rack.



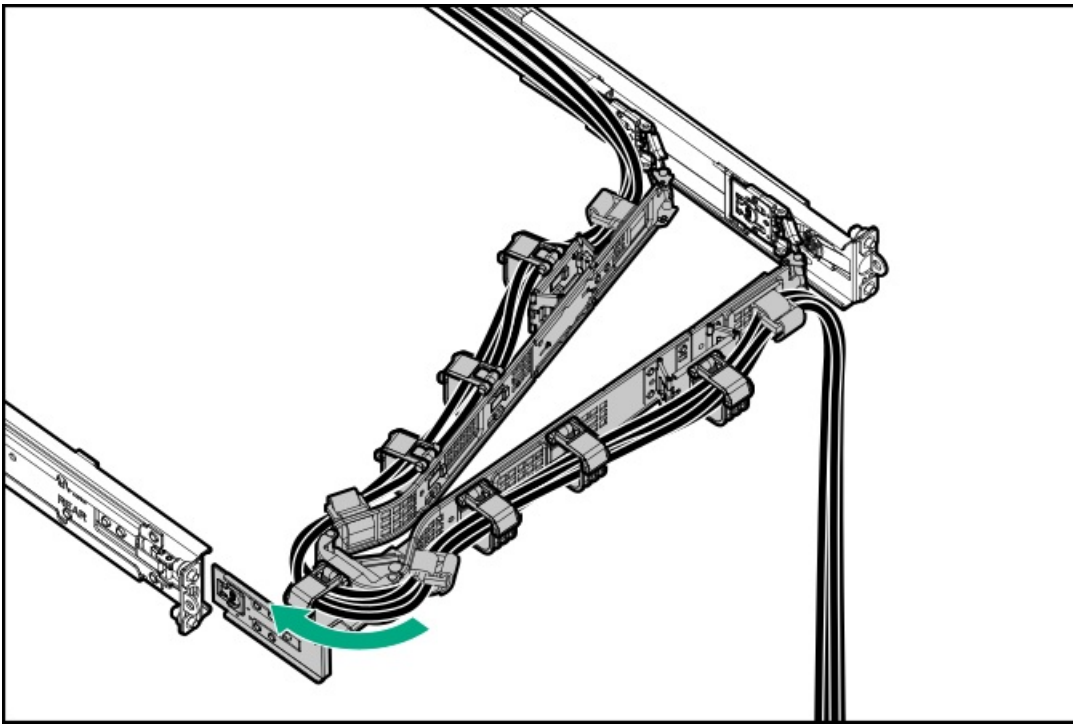
6. Place the server on a flat, level work surface.
7. Remove the access panel.
8. Remove the M.2 air baffle.
9. Install the chassis intrusion detection switch:
  - a. Insert the alignment pins on the middle DIMM guard through the holes on the switch.
  - b. Route the rest of the cable.



10. Install the M.2 air baffle.
11. Install the access panel.
12. Install the server into the rack.
13. Connect all peripheral cables to the server.
14. Connect the power cords:
  - a. Connect each power cord to the server.
  - b. Connect each power cord to the power source.
15. If installed, close the cable management arm.







16. Power up the server.

## Results

The installation procedure is complete.

The System Intrusion Detection setting in the UEFI System Utilities is automatically enabled after installing the chassis intrusion detection switch. To view a log of intrusion events, use the iLO web interface to access the IML or the iLO event log. For more information, see the iLO user guide on the Hewlett Packard Enterprise website (<https://www.hpe.com/support/ilo-docs>).

## Internal USB device option

The server has an internal USB 2.0 port to install a USB device that can be used as a flash boot media or for data backup/redundancy.

### Subtopics

#### Installing an internal USB device

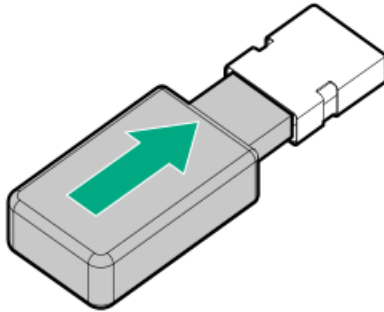
## Installing an internal USB device

### Procedure

1. Power down the server.
2. Remove all power:
  - a. Disconnect each power cord from the power source.
  - b. Disconnect each power cord from the server.
3. Disconnect all peripheral cables from the server.
4. Do one of the following:



- a. Extend the server from the rack.
  - b. Remove the server from the rack.
5. Remove the access panel.
  6. Locate the internal USB port.
  7. Remove the primary riser cage.
  8. Plug in the USB device into the USB port.



9. Install the primary riser cage.
10. Install the access panel.
11. Install the server into the rack.
12. Connect all peripheral cables to the server.
13. Connect the power cords:
  - a. Connect each power cord to the server.
  - b. Connect each power cord to the power source.
14. Power up the server.

## Results

The installation procedure is complete.

## Configuration resources

Use the following resources to find documentation for configuring and managing your server.

- Some utilities might not apply to your server. For information about server compatibility with the products listed in this chapter, see the product QuickSpecs (<https://www.hpe.com/info/quickspecs>).
- Products ordered from HPE Factory Express might have already been configured with some or all the configurations in this chapter. To determine if any additional setup is required, see your HPE Factory Express order.
- For the most recent changes, feature enhancements, and bug fixes, see the latest product release notes.

### Subtopics

[Updating firmware or system ROM](#)

[Configuring the server](#)

[Configuring storage controllers](#)

[Managing the HPE NS204i-u Boot Device](#)

- [Deploying an OS](#)
- [Configuring security](#)
- [Server management](#)
- [Managing Linux-based high performance compute clusters](#)

## Updating firmware or system ROM

| To   | Use  |
|--|--|
| Download service packs   | Service Pack for ProLiant (SPP)<br><a href="https://www.hpe.com/servers/spp/download">https://www.hpe.com/servers/spp/download</a> |
| Deploy service packs to a single server  | Smart Update Manager (SUM)<br><a href="https://www.hpe.com/info/sum-docs">https://www.hpe.com/info/sum-docs</a>                    |
| Deploy service packs to multiple servers   | HPE OneView<br><a href="https://www.hpe.com/support/oneview-docs">https://www.hpe.com/support/oneview-docs</a>                     |
| Updating iLO or system firmware in a single server or multiple servers   | iLO user guide<br><a href="https://www.hpe.com/support/ilo6">https://www.hpe.com/support/ilo6</a>                                  |
| <ul style="list-style-type: none"> <li>• Enable policy-based management of server or server group firmware for distributed server infrastructure</li> <li>• Monitor server compliance with a configured firmware baseline</li> <li>• Receive automatic iLO firmware updates</li> <li>• Receive baseline update alerts</li> </ul> | HPE GreenLake for Compute Ops Management<br><a href="https://www.hpe.com/info/com-docs">https://www.hpe.com/info/com-docs</a>      |

## Configuring the server



## To configure

## Use

---

### Single server (GUI)

- Intelligent Provisioning  
<https://www.hpe.com/info/intelligentprovisioning/docs>
- iLO remote console or web interface  
<https://www.hpe.com/support/ilo6>
- UEFI System Utilities  
<https://www.hpe.com/info/UEFI-manuals>
- HPE GreenLake for Compute Ops Management  
<https://www.hpe.com/info/com-docs>

---

### Single server (scripting)

- RESTful Interface Tool  
<https://www.hpe.com/support/restfulinterface/docs>
- Python iLO Redfish Library (python-iloest-library)  
<https://github.com/HewlettPackard/python-iloest-library>
- Scripting Tools for Windows Powershell  
<https://www.hpe.com/info/powershell/docs>
- iLO RESTful API  
<https://servermanagementportal.ext.hpe.com/docs/redfishservices/ilos/ilo6/>
- HPE GreenLake for Compute Ops Management API  
<https://developer.greenlake.hpe.com/>

---

### Multiple servers (either UI or scripting)

- HPE OneView <sup>1</sup>  
<https://www.hpe.com/support/oneview-docs>
- HPE GreenLake for Compute Ops Management  
<https://www.hpe.com/info/com-docs>
  - **Server settings:** Define server-specific parameters such as firmware baselines, and then apply them to server groups.
  - **Server groups:** Organize servers into custom-defined sets with associated server settings, and then apply group-specific policies to create a consistent configuration across the servers in the group.

<sup>1</sup> For servers running HPE OneView, do not use another tool, such as iLO, to delete or change certain settings. For more information about using HPE OneView and iLO to manage the same server, see the iLO user guide at <https://www.hpe.com/support/ilo6>.

## Configuring storage controllers

| Controller type          | Documentation  |
|--------------------------|--|
| HPE SR Gen10 controllers | <p>HPE Smart Array SR Controller Gen10 User Guide</p> <p><a href="https://www.hpe.com/support/SR-Gen10-UG">https://www.hpe.com/support/SR-Gen10-UG</a></p>   |
| HPE SR Gen11 controllers | <p>HPE SR Gen11 Controller User Guide</p> <p><a href="https://hpe.com/support/SR-Gen11-UG">https://hpe.com/support/SR-Gen11-UG</a></p> <p>Configuration guides:</p> <ul style="list-style-type: none"> <li>HPE Smart Storage Administrator GUI User Guide<br/><a href="https://www.hpe.com/support/SSA-UG">https://www.hpe.com/support/SSA-UG</a></li> <li>HPE Smart Storage Administrator CLI User Guide<br/><a href="https://www.hpe.com/support/SSACLI-UG">https://www.hpe.com/support/SSACLI-UG</a></li> </ul>   |
| HPE MR Gen11 controllers | <p>HPE MR Gen11 Controller User Guide</p> <p><a href="https://hpe.com/support/MR-Gen11-UG">https://hpe.com/support/MR-Gen11-UG</a></p> <p>Configuration guides:</p> <ul style="list-style-type: none"> <li>HPE MR Storage Administrator User Guide<br/><a href="https://www.hpe.com/support/MRSA">https://www.hpe.com/support/MRSA</a></li> <li>HPE StorCLI User Guide<br/><a href="https://www.hpe.com/support/StorCLI">https://www.hpe.com/support/StorCLI</a></li> </ul>  |
| Intel VROC for HPE Gen11 | <p>Intel Virtual RAID on CPU for HPE Gen11 User Guide</p> <p><a href="https://hpe.com/support/VROC-Gen11-UG">https://hpe.com/support/VROC-Gen11-UG</a></p> <p>OS-specific configuration guides:</p> <ul style="list-style-type: none"> <li>Intel Virtual RAID on CPU (Intel VROC) for Windows User Guide<br/><a href="https://www.intel.com/content/dam/support/us/en/documents/memory-and-storage/338065_Intel_VROC_UserGuide_Windows.pdf">https://www.intel.com/content/dam/support/us/en/documents/memory-and-storage/338065_Intel_VROC_UserGuide_Windows.pdf</a></li> <li>Intel Virtual RAID on CPU (Intel VROC) for Linux User Guide<br/><a href="https://www.intel.com/content/dam/support/us/en/documents/memory-and-storage/linux-intel-vroc-userguide-333915.pdf">https://www.intel.com/content/dam/support/us/en/documents/memory-and-storage/linux-intel-vroc-userguide-333915.pdf</a></li> <li>Intel Volume Management Device Driver for VMware ESXi User Guide<br/><a href="https://www.intel.com/content/dam/support/us/en/documents/memory-and-storage/ESXi-Intel-VROC-UserGuide.pdf">https://www.intel.com/content/dam/support/us/en/documents/memory-and-storage/ESXi-Intel-VROC-UserGuide.pdf</a></li> </ul> |

## Managing the HPE NS204i-u Boot Device

For more information on supported features and maintenance information for the HPE NS204i-u Boot Device, see the HPE NS204i-u Boot Device User Guide:

<https://www.hpe.com/support/NS204-UG>

## Deploying an OS

For a list of supported operating systems, see the HPE Servers Support & Certification Matrices:

<https://www.hpe.com/support/Servers-Certification-Matrices>

| To  | See  |
|---|--|
| Deploy an OS using HPE GreenLake for Compute Ops Management | HPE GreenLake for Compute Ops Management User Guide<br><a href="https://www.hpe.com/info/com-docs">https://www.hpe.com/info/com-docs</a>   |
| Deploy an OS using Intelligent Provisioning                 | Intelligent Provisioning user guide<br><a href="https://www.hpe.com/info/intelligentprovisioning/docs">https://www.hpe.com/info/intelligentprovisioning/docs</a>                         |
| Deploy an OS using iLO virtual media                        | iLO user guide<br><a href="https://www.hpe.com/support/ilo6">https://www.hpe.com/support/ilo6</a>  |
| Configure the server to boot from a PXE server              | UEFI System Utilities User Guide for HPE ProLiant Gen11 Servers and HPE Synergy<br><a href="https://www.hpe.com/support/UEFIGen11-UG-en">https://www.hpe.com/support/UEFIGen11-UG-en</a> |
| Configure the server to boot from a SAN                     | HPE Boot from SAN Configuration Guide<br><a href="https://www.hpe.com/info/boot-from-san-config-guide">https://www.hpe.com/info/boot-from-san-config-guide</a>                           |

## Configuring security

| To   | See  |
|--|--|
| Implement server security best practices.  | <ul style="list-style-type: none"><li>HPE Compute Security Reference Guide<br/><a href="https://www.hpe.com/info/server-security-reference-en">https://www.hpe.com/info/server-security-reference-en</a></li><li>HPE iLO 6 Security Technology Brief<br/><a href="https://www.hpe.com/support/ilo6-security-en">https://www.hpe.com/support/ilo6-security-en</a></li></ul> |
| Configure and use the Server Configuration Lock feature on HPE Trusted Supply Chain servers and other servers that have the Server Configuration Lock feature enabled. | Server Configuration Lock User Guide for HPE ProLiant servers and HPE Synergy<br><a href="https://www.hpe.com/info/server-config-lock-UG-en">https://www.hpe.com/info/server-config-lock-UG-en</a>   |

## Server management

| To monitor                 | See   |
|----------------------------|---|
| Single server              | HPE iLO<br><a href="https://www.hpe.com/support/ilo6">https://www.hpe.com/support/ilo6</a>                                    |
| Multiple servers           | HPE OneView<br><a href="https://www.hpe.com/support/oneview-docs">https://www.hpe.com/support/oneview-docs</a>                |
| Single or multiple servers | HPE GreenLake for Compute Ops Management<br><a href="https://www.hpe.com/info/com-docs">https://www.hpe.com/info/com-docs</a> |

# Managing Linux-based high performance compute clusters

| To   | Use  |
|--|--|
| Provision, manage, and monitor clusters.   | HPE Performance Cluster Manager<br><a href="https://www.hpe.com/support/hpcm_manuals">https://www.hpe.com/support/hpcm_manuals</a>                     |
| Optimize your applications.  | HPE Performance Analysis Tools<br><a href="https://www.hpe.com/info/perftools">https://www.hpe.com/info/perftools</a>                                  |
| Optimize software library for low latency and high bandwidth, both on-node and off-node, for point-to-point and collective communications. | HPE Cray Programming Environment User Guide<br><a href="https://www.hpe.com/info/cray-pe-user-guides">https://www.hpe.com/info/cray-pe-user-guides</a> |

## Cabling

This chapter includes cabling guidelines and diagrams for internal component cabling.

### Subtopics

- [Cabling guidelines](#)
- [Internal cabling management](#)
- [Cabling diagrams](#)
- [Storage cabling](#)
- [Accelerator cabling](#)
- [HPE NS204i Boot Device cabling](#)
- [Switch board cabling](#)
- [Optical drive cabling](#)
- [Display port cabling](#)
- [Serial port cabling](#)
- [Front I/O cabling](#)
- [VGA cabling](#)
- [Chassis intrusion detection switch cabling](#)

## Cabling guidelines

Observe the following:

- For cable option kits, see the product QuickSpecs.
- For cable spare part numbers, see the Illustrated parts catalog in the maintenance and service guide.
- Some diagrams show alphabetical callouts such as A, B, C, etc. These callouts correspond to labels near the connectors on the cable.
- Some cables have more than one connector, such as a Y-cable, but not all connectors are used.
- The cable colors in the cabling diagrams used in this chapter are for illustration purposes only.
- Observe all guidelines when working with server cables.

## Before connecting cables

- Note the port labels on the PCA components. Not all these components are used by all servers:
  - System board ports
  - Drive and power supply backplane ports
  - Expansion board ports (controllers, retimers, adapters, expanders, risers, and similar boards)
- Note the label near each cable connector. This label indicates the destination port for the cable connector.
- Some data cables are prebent. Do not unbend or manipulate the cables.
- To prevent mechanical damage or depositing oil that is present on your hands, and other contamination, do not touch the ends of the connectors.

## When connecting cables

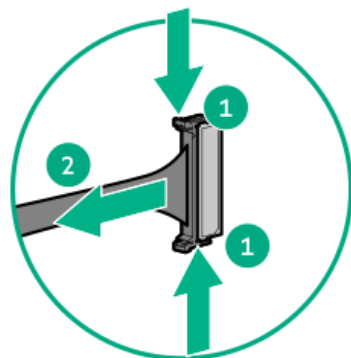
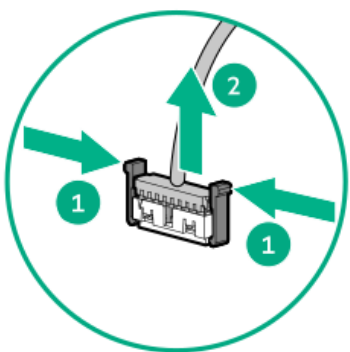
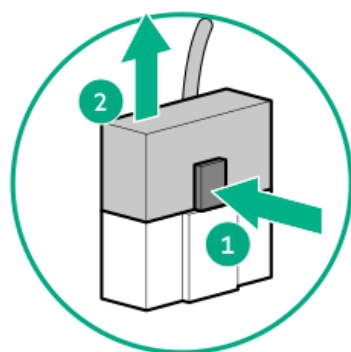
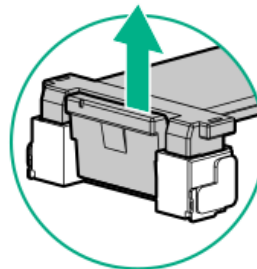
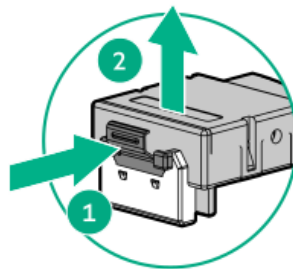
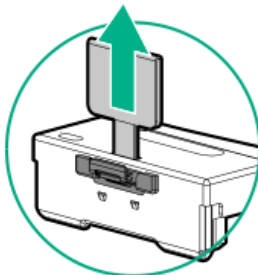
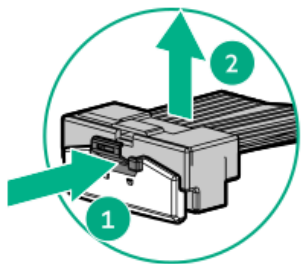
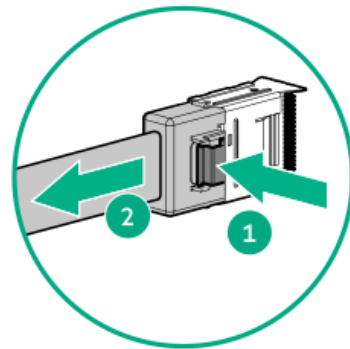
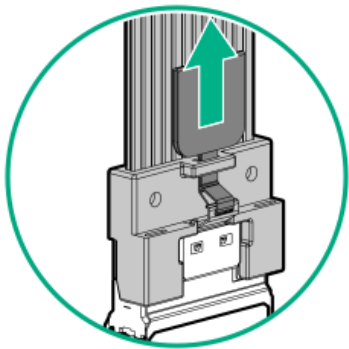
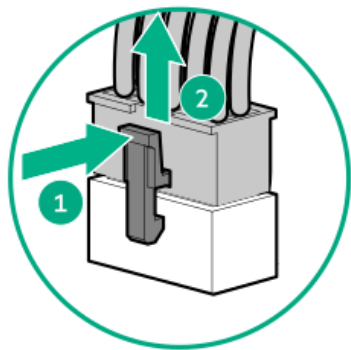
- Before connecting a cable to a port, lay the cable in place to verify the length of the cable.
- Use the internal cable management features to properly route and secure the cables.
- When routing cables, be sure that the cables are not in a position where they can be pinched or crimped.
- Avoid tight bend radii to prevent damaging the internal wires of a power cord or a server cable. Never bend power cords and server cables tight enough to cause a crease in the sheathing.
- Make sure that the excess length of cables is properly secured to avoid excess bends, interference issues, and airflow restriction.
- To prevent component damage and potential signal interference, make sure that all cables are in their appropriate routing position before installing a new component and before closing up the server after hardware installation/maintenance.

## When disconnecting cables

- Grip the body of the cable connector. Do not pull on the cable itself because this action can damage the internal wires of the cable or the pins on the port.
- If a cable does not disconnect easily, check for any release latch that must be pressed to disconnect the cable.



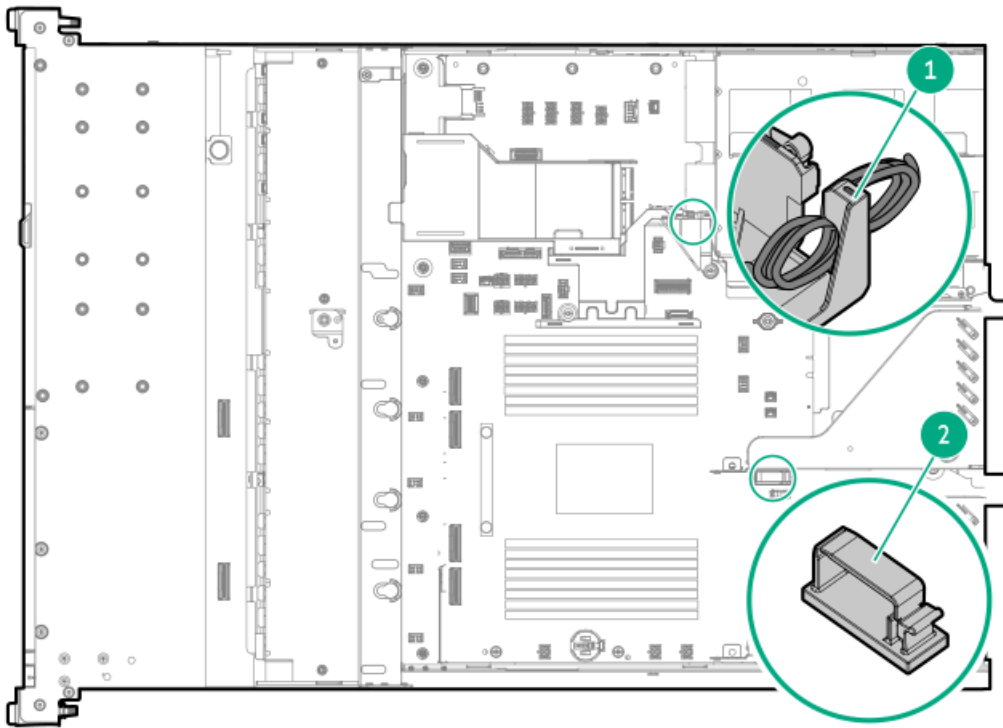




- Remove cables that are no longer being used. Retaining them inside the server can restrict airflow. If you intend to use the removed cables later, label and store them for future use.

## Internal cabling management





#### Item Description

- 1 Cable organizer
- 2 Cable clip

## Cabling diagrams

Observe the following:

- Before cabling components, see the [cabling guidelines](#).
- Use the cable part number or search feature to find your diagram.

| Component cabling                      | Cable part number  |
|--|--|
| <b>Drive power cabling</b>             |  |
| 2 SFF drive power cabling              | <a href="#">P64313-001</a>   |
| 8+2 SFF drive power cabling            | <a href="#">869667-001</a>   |
| 4 SFF drive power cabling              | <a href="#">P54942-001</a>   |
| 8 SFF drive power cabling              | <a href="#">P53958-001</a>   |
| 8 E3.S drive power cabling             | <a href="#">P54939-001</a>   |
| 4 LFF drive power cabling              | <a href="#">P53988-001</a>   |
| 10/12 LFF drive power cabling          | <ul style="list-style-type: none"> <li>• <a href="#">P54925-001</a></li> <li>• <a href="#">P54926-001</a></li> <li>• <a href="#">P54927-001</a></li> </ul> |
| <b>2 SFF drive controller cabling</b>  |  |
| 2 SFF drive: Onboard SATA cabling      | <a href="#">P53969-001</a>   |
| 2 SFF drive: Onboard NVMe cabling      | <a href="#">P53967-001</a>   |
| 2 SFF drive: Type-o controller cabling | <a href="#">P48960-001</a>   |

| Component cabling                                 | Cable part number  |
|---|--|
| 2 SFF drive: Re-timer card cabling                | <a href="#">P53984-001</a>   |
| <b>4 SFF drive controller cabling</b>             |  |
| 4 SFF drive: Secondary type-p controller cabling  | <a href="#">P45610-001</a>   |
| <b>4 E3.S drive controller cabling</b>            |  |
| 4 E3.S drive: Onboard NVMe cabling                | <a href="#">P53960-001</a>   |
| <b>8 SFF drive controller cabling</b>             |  |
| 8 SFF drive: Onboard SAS/SATA cabling             | <a href="#">P53957-001</a>   |
| 8 SFF drive: Onboard NVMe cabling                 | <ul style="list-style-type: none"> <li>• <a href="#">P53959-001</a></li> <li>• <a href="#">P53960-001</a></li> <li>• <a href="#">P53961-001</a></li> <li>• <a href="#">P53967-001</a></li> </ul>   |
| 8 SFF drive: Primary type-p controller cabling    | <ul style="list-style-type: none"> <li>• <a href="#">P53977-001</a></li> <li>• <a href="#">P53978-001</a></li> <li>• <a href="#">P45611-001</a></li> <li>• <a href="#">P53972-001</a></li> <li>• <a href="#">P53976-001</a></li> </ul>                                       |
| 8 SFF drive: Secondary type-p controller cabling  | <a href="#">P64312-001</a>   |
| 8 SFF drive: Type-o controller cabling            | <ul style="list-style-type: none"> <li>• <a href="#">P53979-001</a></li> <li>• <a href="#">P48964-001</a></li> </ul>   |
| <b>8 E3.S drive controller cabling</b>            |  |
| 8 E3.S drive: Type-p controller cabling           | <a href="#">P54940-001</a>   |
| 8 E3.S drive: SR932i-p controller cabling         | <a href="#">P62296-001</a>   |
| <b>4 LFF drive controller cabling</b>             |  |
| 4 LFF drive: Onboard SATA cabling                 | <a href="#">P53989-001</a>   |
| 4 LFF drive: Type-o controller cabling            | <a href="#">P53989-001</a>   |
| <b>10 LFF and 12 LFF drive controller cabling</b> |  |
| 10 LFF drive: Onboard SAS/SATA cabling            | <ul style="list-style-type: none"> <li>• <a href="#">P54928-001</a></li> <li>• <a href="#">P54929-001</a></li> </ul>   |
| 12 LFF: Secondary type-p controller cabling       | <ul style="list-style-type: none"> <li>• <a href="#">P54930-001</a></li> <li>• <a href="#">P54931-001</a></li> </ul>   |
| <b>Accelerator cabling</b>                        |  |
| GPU auxiliary power cabling                       | <ul style="list-style-type: none"> <li>• <a href="#">P60495-001</a></li> <li>• <a href="#">P61488-001</a></li> <li>• <a href="#">P61487-001</a></li> <li>• <a href="#">P61489-001</a></li> <li>• <a href="#">P68828-001</a></li> <li>• <a href="#">P68829-001</a></li> </ul> |
| GPU riser power cabling                           | <ul style="list-style-type: none"> <li>• <a href="#">P60489-001</a></li> <li>• <a href="#">P60490-001</a></li> </ul>   |
| GPU riser signal cabling                          | <a href="#">P51471-001</a>   |
| GPU riser power cabling to the switch board       | <ul style="list-style-type: none"> <li>• <a href="#">P60494-001</a></li> <li>• <a href="#">P60493-001</a></li> </ul>   |

| Component cabling                              | Cable part number  |
|--|--|
| GPU riser signal cabling to the switch board   | <ul style="list-style-type: none"> <li>• <a href="#">P44002-001</a></li> <li>• <a href="#">P55910-001</a></li> </ul> |
| HPE NS204i Boot Device cabling: Option 1       | <ul style="list-style-type: none"> <li>• <a href="#">P54088-001</a></li> <li>• <a href="#">P54087-001</a></li> </ul> |
| HPE NS204i Boot Device cabling: Option 2       | <ul style="list-style-type: none"> <li>• <a href="#">P54088-001</a></li> <li>• <a href="#">P56364-001</a></li> </ul> |
| <b>Switch board cabling</b>                    |  |
| Power cabling                                  | <a href="#">P60491-001</a>   |
| Signal cabling                                 | <a href="#">P60492-001</a>   |
| Sideband cabling                               | <a href="#">P54897-001</a>   |
| <b>Optical drive cabling</b>                   |  |
| 8 SFF drive: Optical drive cabling             | <a href="#">P45622-001</a>   |
| 4 LFF drive: Optical drive cabling             | <a href="#">P45622-001</a>   |
| <b>Display port cabling</b>                    |  |
| 8 SFF drive: Display port cabling              | <a href="#">P45620-001</a>   |
| 4 LFF drive: Display port cabling              | <a href="#">P45619-001</a>   |
| <b>Front I/O cabling</b>                       |  |
| 8 SFF drive and 4 LFF drive: Front I/O cabling | <a href="#">P43727-001</a>   |
| 12 LFF drive: Front I/O cabling                | <a href="#">P54923-001</a>   |
| GPU dense: Front I/O cabling                   | <a href="#">P47750-001</a>   |
| <b>Miscellaneous cabling</b>                   |  |
| Storage controller backup cabling              | <a href="#">877849-001</a>   |
| Energy pack cabling                            | <a href="#">P01366-B21</a>   |
| Serial port cabling                            | <a href="#">P47752-001</a>   |
| VGA cabling                                    | <a href="#">P53987-001</a>   |
| Chassis intrusion detection switch cabling     | <a href="#">869413-001</a>   |

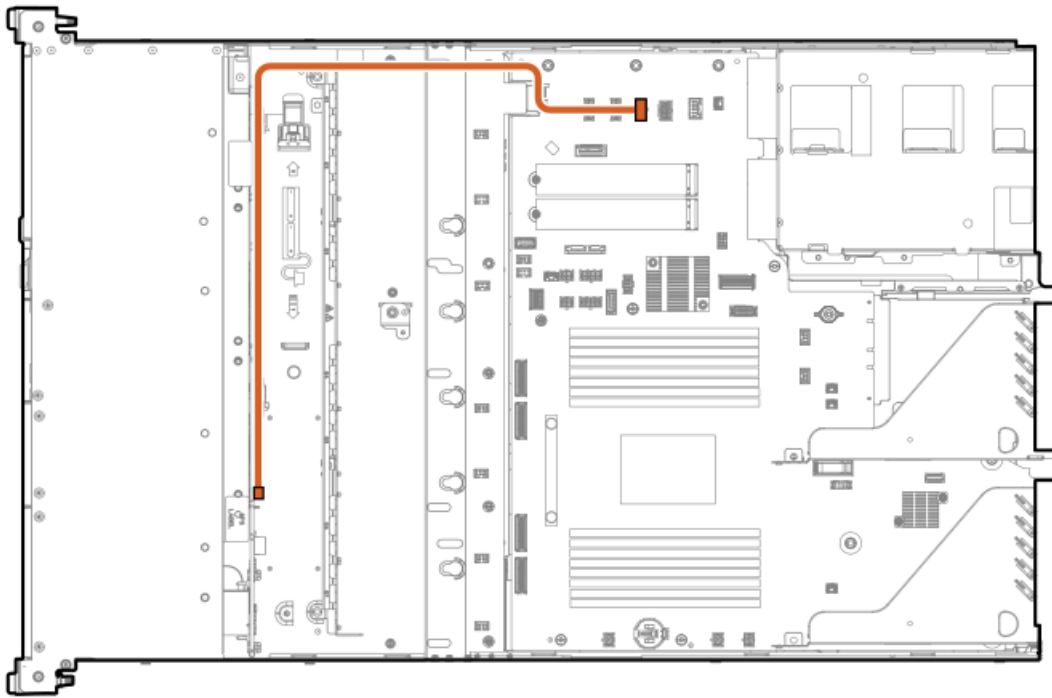
## Storage cabling

### Subtopics

- [Drive power cabling](#)
- [Storage controller cabling](#)
- [Energy pack cabling](#)
- [Storage controller backup cabling](#)

## Drive power cabling

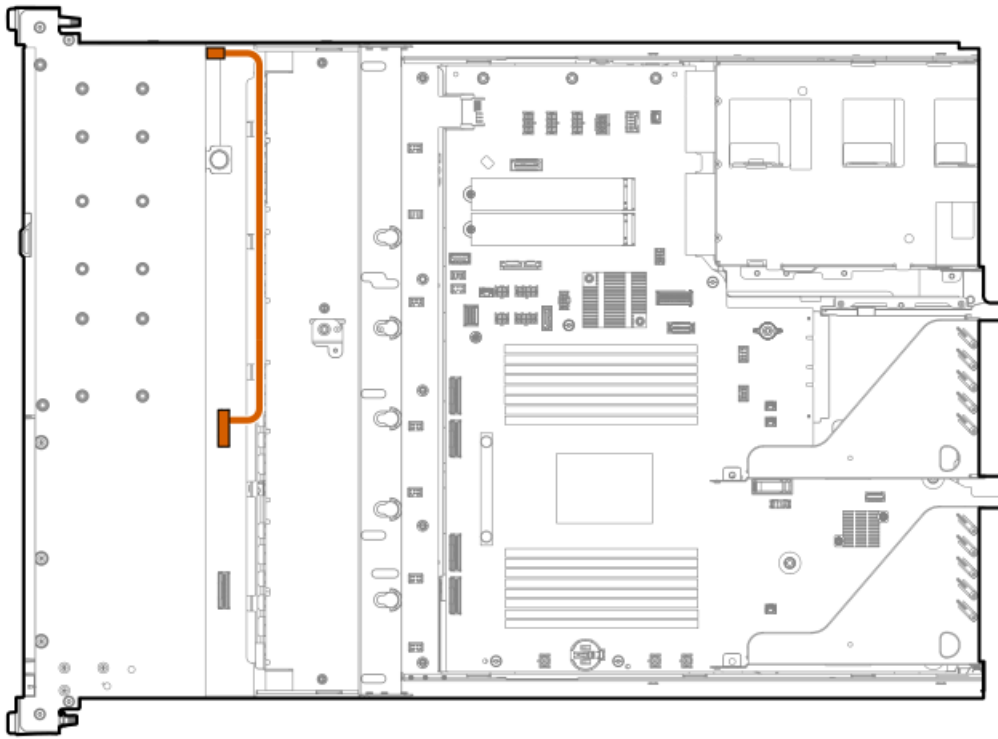
### 2 SFF drive power cabling



| Cable part number | Color  | From                        | To                          |
|-------------------|--------|-----------------------------|-----------------------------|
| P64313-001        | Orange | Drive box 1 power connector | 2 SFF drive power connector |

**8+2 SFF drive power cabling**

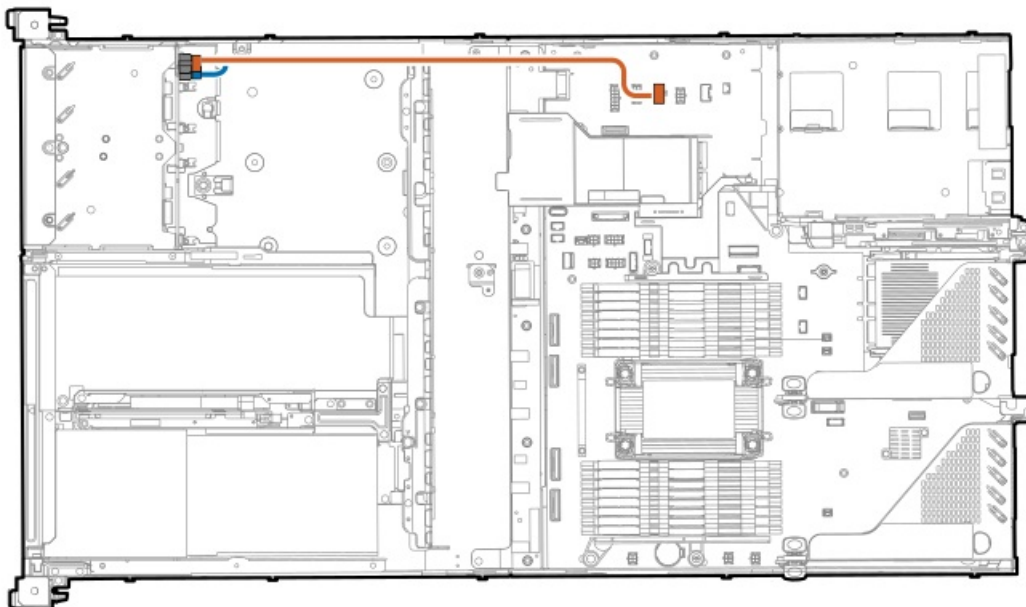




| Cable part number       | Color  | From                        | To                          |
|-------------------------|--------|-----------------------------|-----------------------------|
| 869667-001 <sup>1</sup> | Orange | 2 SFF drive power connector | 8 SFF drive power connector |

<sup>1</sup> Option kit: P52749-B21; P52751-B21

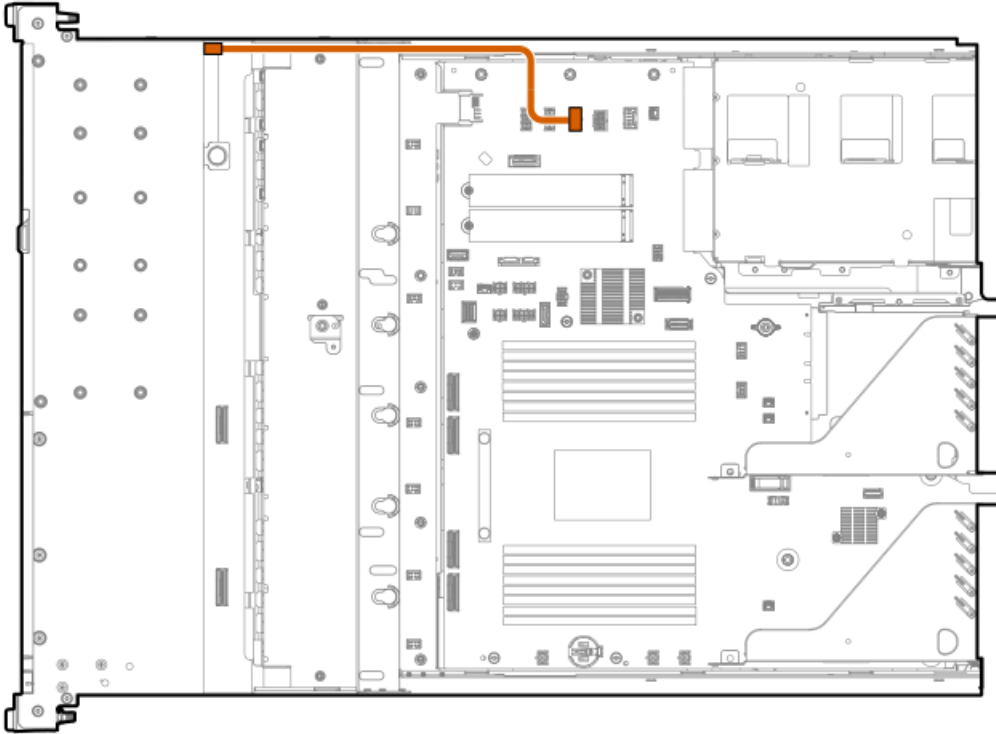
#### 4 SFF drive power cabling



| Cable part number       | Color  | From                        | To                      |
|-------------------------|--------|-----------------------------|-------------------------|
| P54942-001 <sup>1</sup> | Orange | Drive box power connector 1 | Top backplane port 1    |
|                         | Blue   | Drive box power connector 1 | Bottom backplane port 1 |

<sup>1</sup> Option kit: P61220-B21; P61221-B21

## 8 SFF drive power cabling

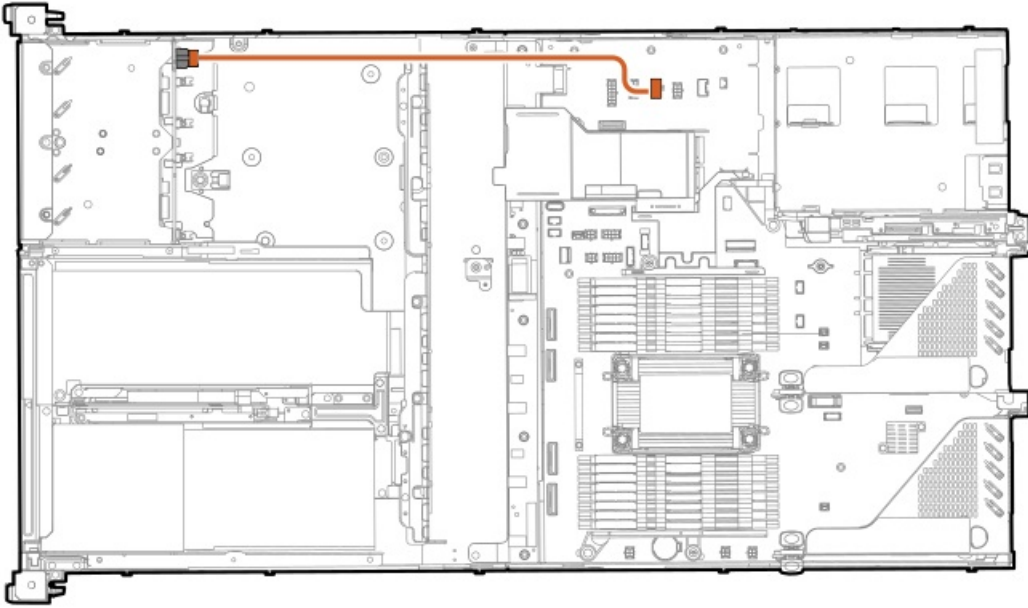


| Cable part number       | Color  | From                        | To                    |
|-------------------------|--------|-----------------------------|-----------------------|
| P53958-001 <sup>1</sup> | Orange | Drive box 1 power connector | Box 1 power connector |

<sup>1</sup> Option kit: P52743-B21; P52745-B21; P52747-B21

## 8 E3.S drive power cabling

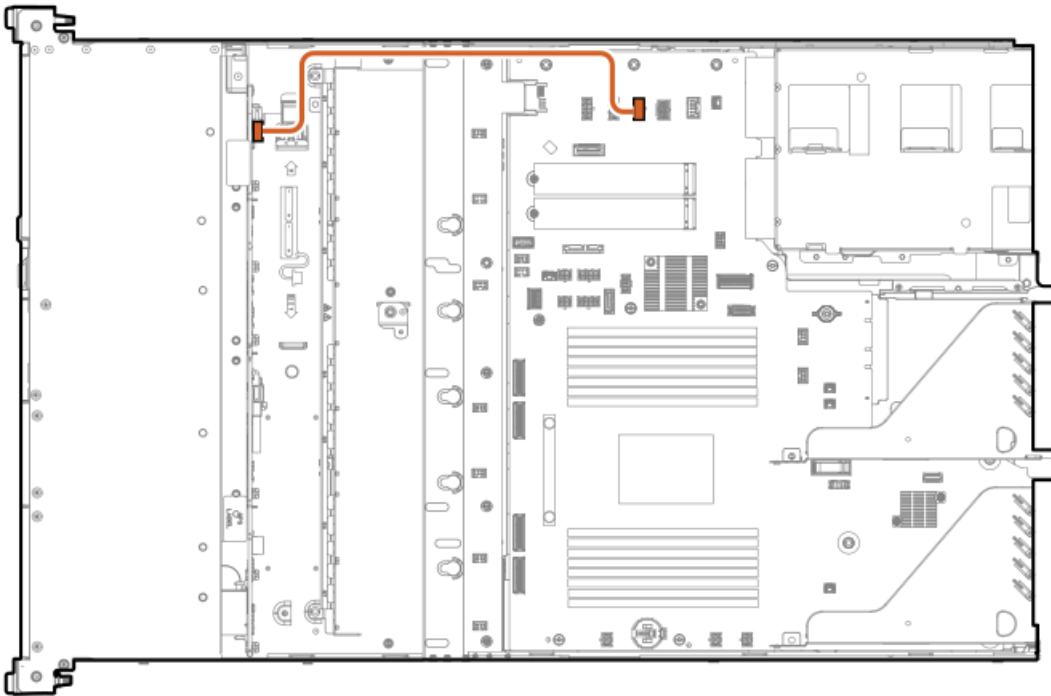




| Cable part number       | Color  | From                        | To     |
|-------------------------|--------|-----------------------------|--------|
| P54939-001 <sup>1</sup> | Orange | Drive box 1 power connector | Port 1 |

<sup>1</sup> Option kit: P61219-B21

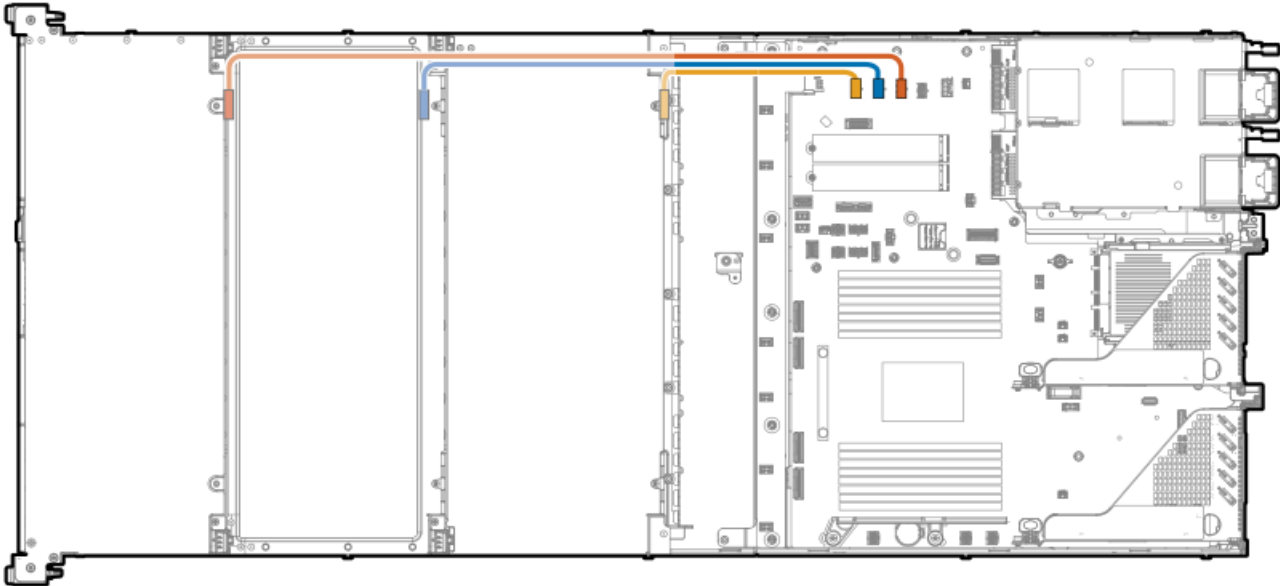
#### 4 LFF drive power cabling





| Cable part number | Color  | From                        | To                                |
|-------------------|--------|-----------------------------|-----------------------------------|
| P53988-001        | Orange | Drive box 1 power connector | 4 LFF drive box 1 power connector |

## 10/12 LFF drive power cabling



| Cable part number | Color  | From                        | To                                |
|-------------------|--------|-----------------------------|-----------------------------------|
| P54925-001        | Orange | Drive box 1 power connector | 4 LFF drive box 1 power connector |
| P54926-001        | Blue   | Drive box 3 power connector | 4 LFF drive box 3 power connector |
| P54927-001        | Yellow | Drive box 5 power connector | 4 LFF drive box 5 power connector |

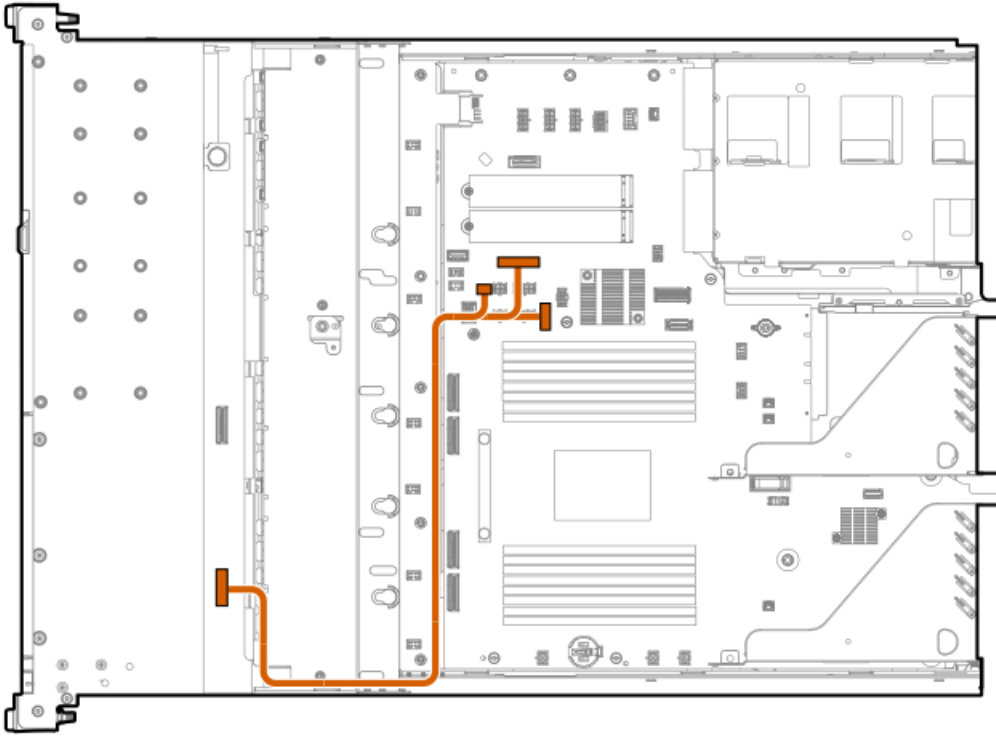
## Storage controller cabling

### Subtopics

- [2 SFF drive controller cabling](#)
- [4 SFF drive controller cabling](#)
- [4 E3.S drive controller cabling](#)
- [8 E3.S drive controller cabling](#)
- [8 SFF drive controller cabling](#)
- [4 LFF drive controller cabling](#)
- [10 LFF drive controller cabling](#)
- [12 LFF drive controller cabling](#)

## 2 SFF drive controller cabling

## 2 SFF drive: Onboard SATA cabling

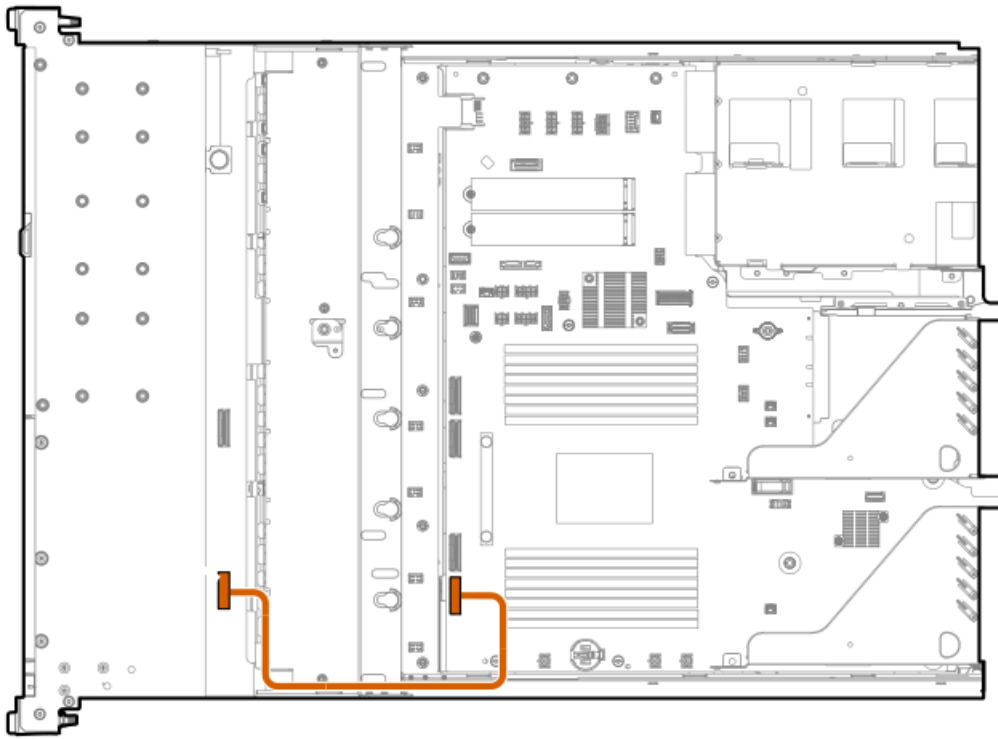


| Cable part number       | Color  | From                  | To   |
|-------------------------|--------|-----------------------|--|
| P53969-001 <sup>1</sup> | Orange | 2 SFF drive backplane | SATA sideband connector and<br>Optical drive power connector<br>and SATA 6 Gb/s port |

<sup>1</sup> Option kit: P52751-B21

## 2 SFF drive: Onboard NVMe cabling





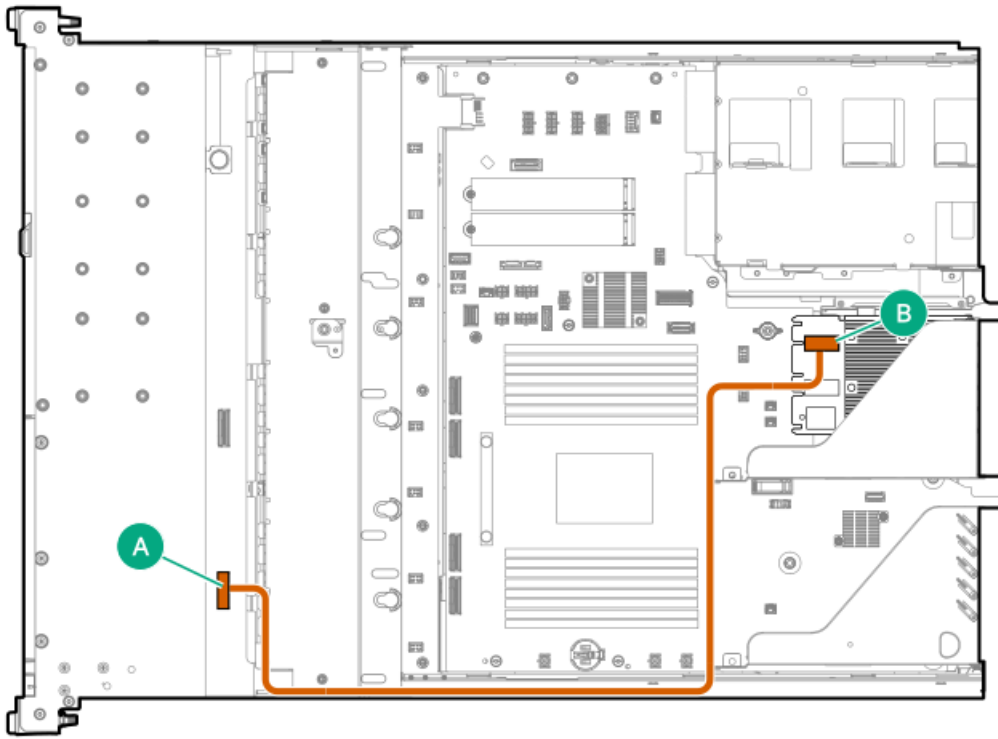
| Cable part number | Color  | From                  | To          |
|-------------------|--------|-----------------------|-------------|
| P53967-001        | Orange | 2 SFF drive backplane | MCIO port 1 |

1

Option kit: P52745-B21

### 2 SFF drive: Type-o controller cabling





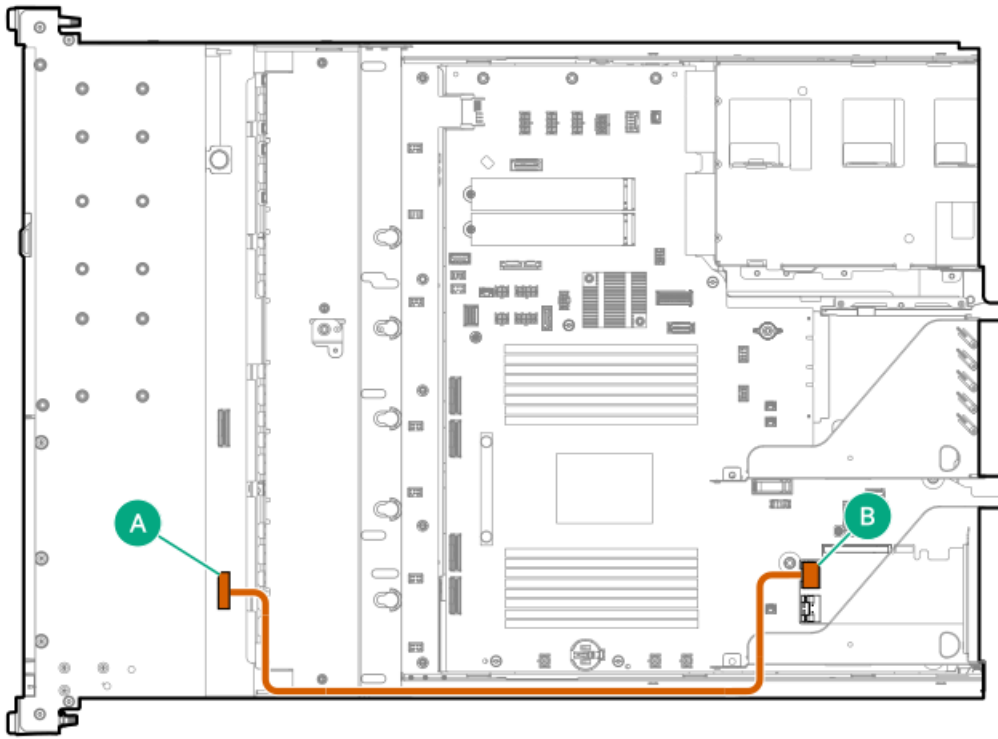
| Cable part number | Color  | From                  | To     |
|-------------------|--------|-----------------------|--------|
| P48960-001        | Orange | 2 SFF drive backplane | Port 1 |

1

Option kit: P52780-B21; P52776-B21

### 2 SFF drive: Re-timer card cabling





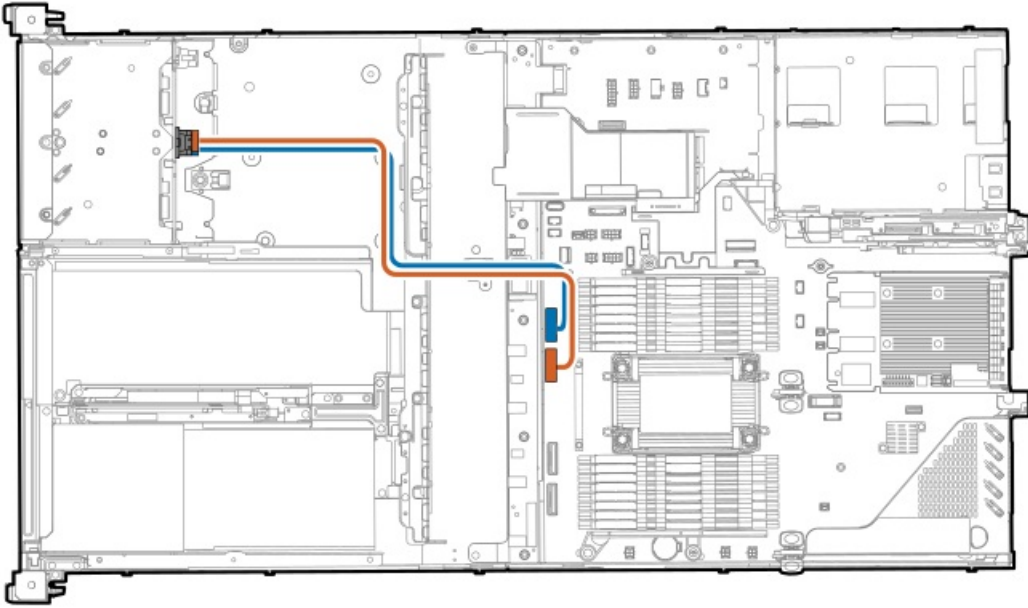
| Cable part number       | Color  | From                  | To     |
|-------------------------|--------|-----------------------|--------|
| P53984-001 <sup>1</sup> | Orange | 2 SFF drive backplane | Port 1 |

<sup>1</sup> Option kit: P52777-B21

## 4 SFF drive controller cabling

### 4 SFF drive: Onboard NVMe cabling

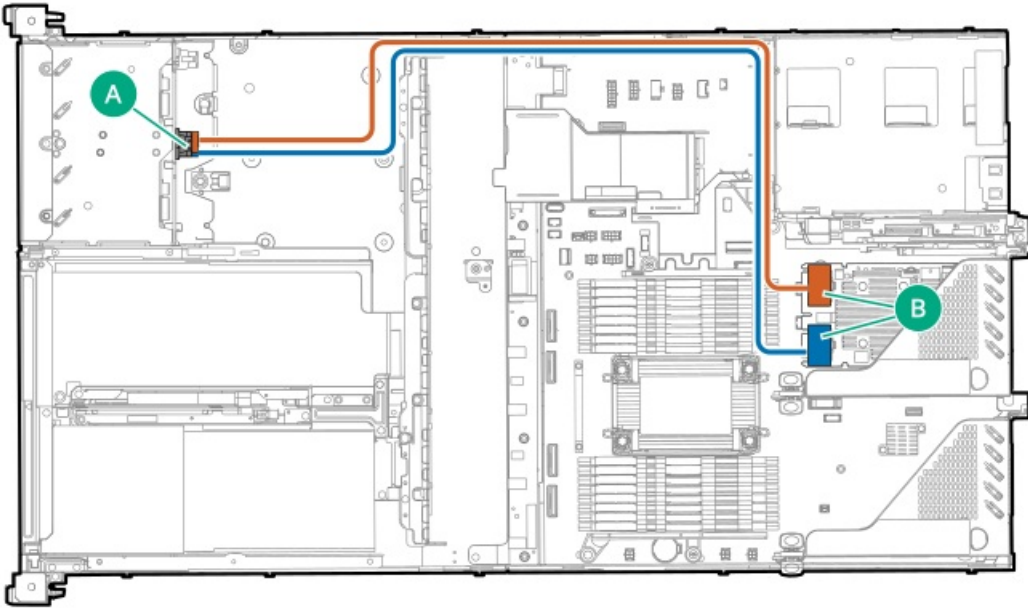




| Cable part number       | Color  | From                    | To          |
|-------------------------|--------|-------------------------|-------------|
| P53960-001 <sup>1</sup> | Orange | Top backplane port 1    | MCIO port 3 |
|                         | Blue   | Bottom backplane port 1 | MCIO port 4 |

<sup>1</sup> Option kit: P62181-B21

#### 4 SFF drive: Secondary type-p controller cabling

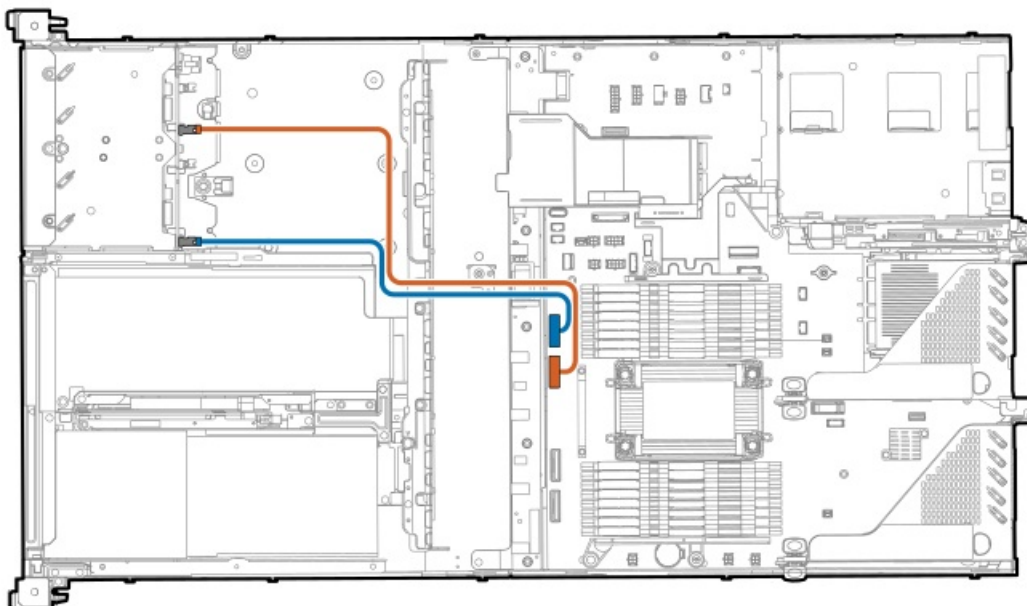


| Cable part number       | Color  | From                    | To     |
|-------------------------|--------|-------------------------|--------|
| P45610-001 <sup>1</sup> | Orange | Top backplane port 1    | Port 1 |
|                         | Blue   | Bottom backplane port 1 | Port 2 |



## 4 E3.S drive controller cabling

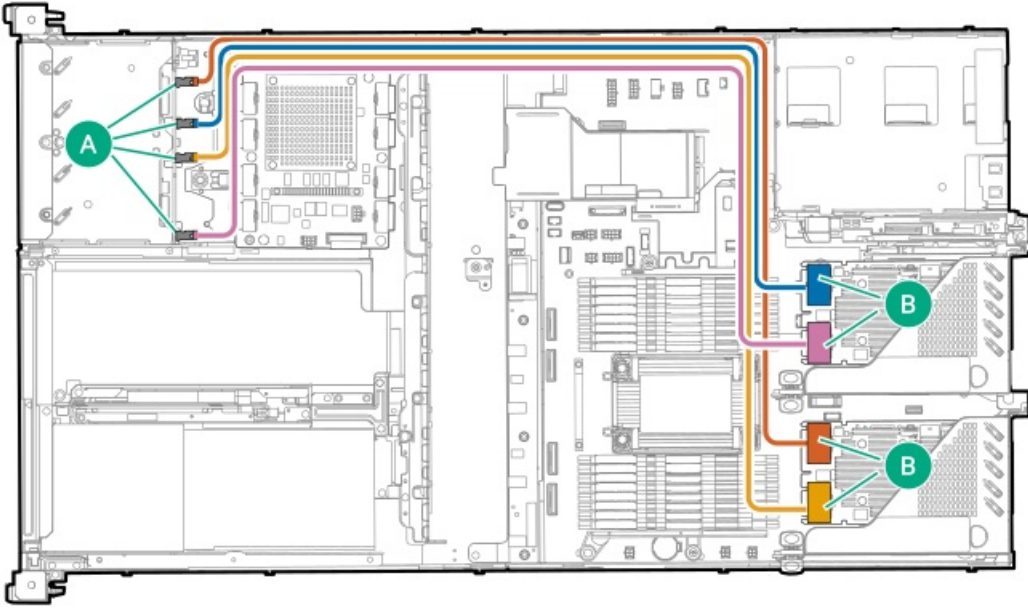
### 4 E3.S drive: Onboard NVMe cabling



| Cable part number | Color  | From   | To          |
|-------------------|--------|--------|-------------|
| P53960-001        | Orange | Port 2 | MCIO port 3 |
|                   | Blue   | Port 4 | MCIO port 4 |

## 8 E3.S drive controller cabling

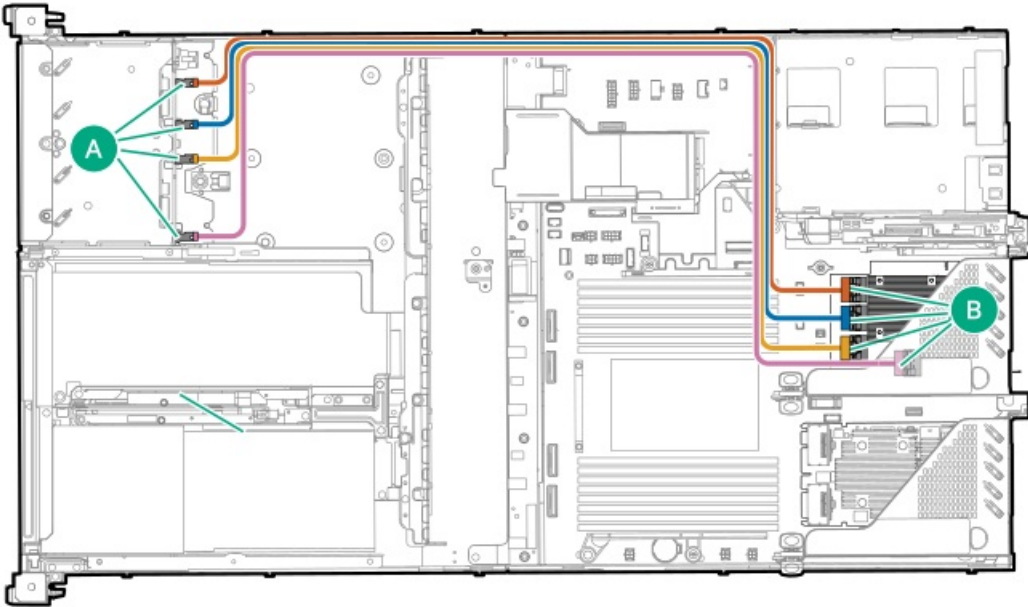
### 8 E3.S drive: Type-p controller cabling



| Cable part number       | Color  | From   | To     |
|-------------------------|--------|--------|--------|
| P54940-001 <sup>1</sup> | Orange | Port 1 | Port 1 |
|                         | Blue   | Port 2 | Port 1 |
|                         | Yellow | Port 3 | Port 2 |
|                         | Pink   | Port 4 | Port 2 |

<sup>1</sup> Option kit: P62183-B21

### 8 E3.S drive: SR932i-p controller cabling



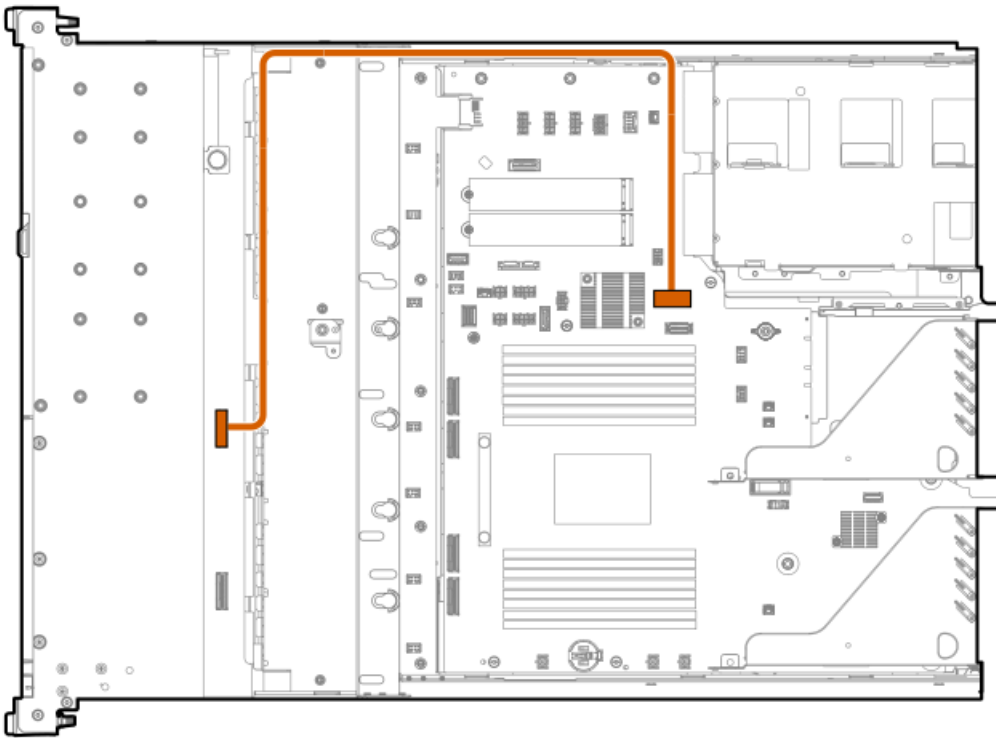


| Cable part number       | Color  | From   | To     |
|-------------------------|--------|--------|--------|
| P62296-001 <sup>1</sup> | Orange | Port 1 | Port 1 |
|                         | Blue   | Port 2 | Port 2 |
|                         | Yellow | Port 3 | Port 3 |
|                         | Pink   | Port 4 | Port 4 |

<sup>1</sup> Option kit: P62185-B21

## 8 SFF drive controller cabling

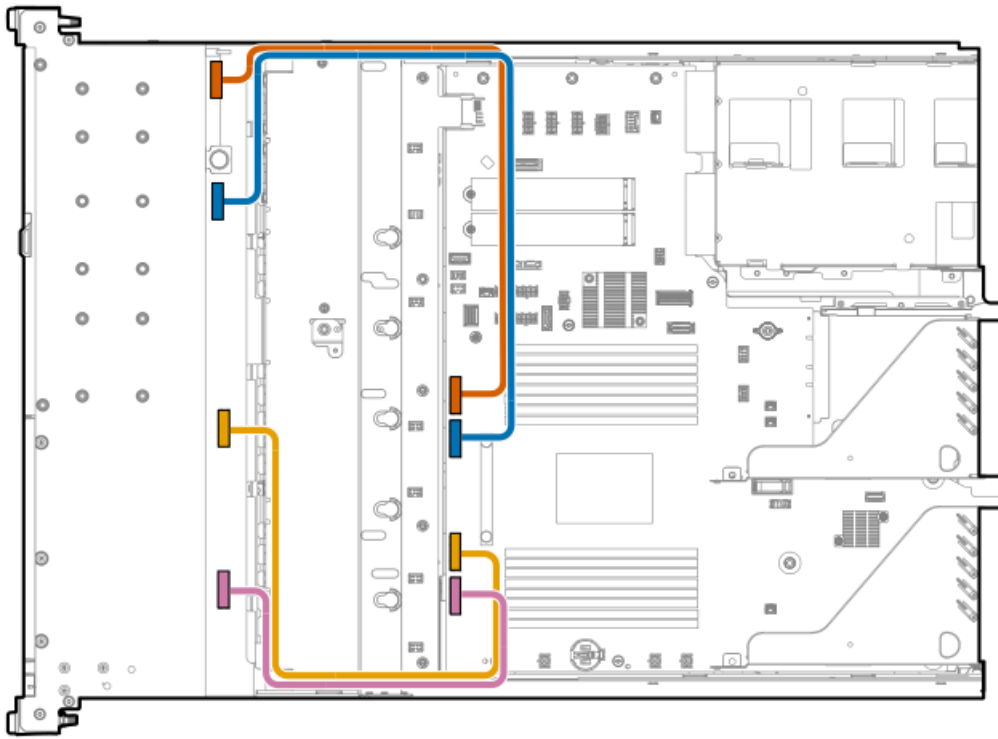
### 8 SFF drive: Onboard SAS/SATA cabling



| Cable part number       | Color  | From   | To                |
|-------------------------|--------|--------|-------------------|
| P53957-001 <sup>1</sup> | Orange | Port 1 | x8 slimSAS port 1 |

<sup>1</sup> Option kit: P52743-B21

### 8 SFF drive: Onboard NVMe cabling

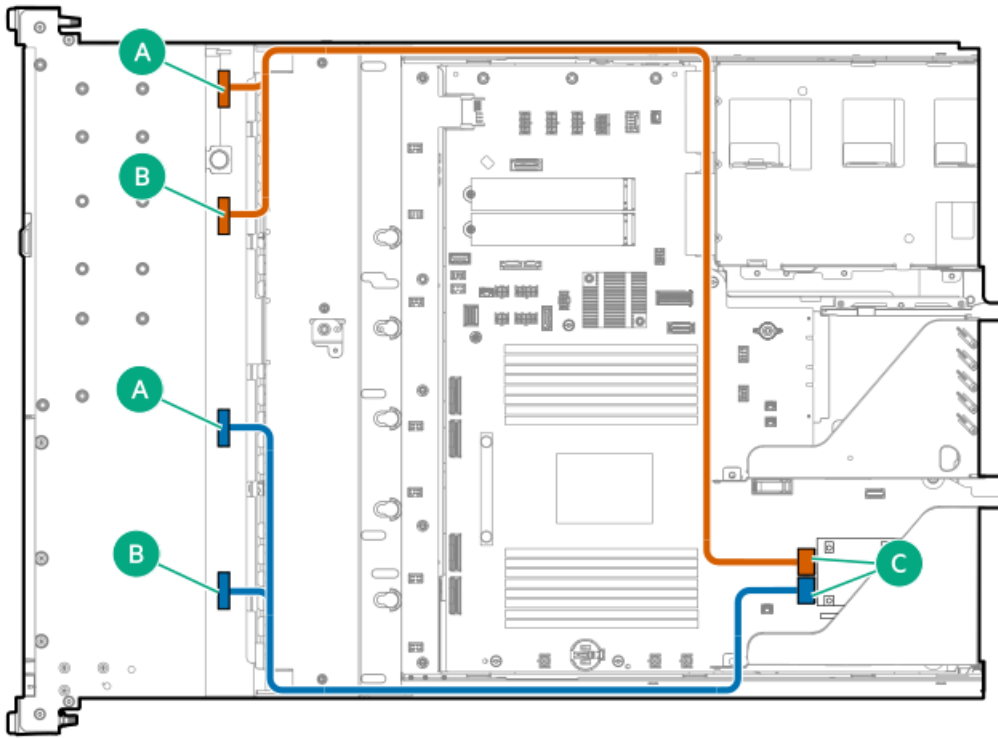


| Cable part number       | Color  | From   | To          |
|-------------------------|--------|--------|-------------|
| P53959-001 <sup>1</sup> | Orange | Port 1 | MCIO port 4 |
| P53960-001              | Blue   | Port 2 | MCIO port 3 |
| P53961-001 <sup>2</sup> | Yellow | Port 3 | MCIO port 2 |
| P53967-001 <sup>1</sup> | Pink   | Port 4 | MCIO port 1 |

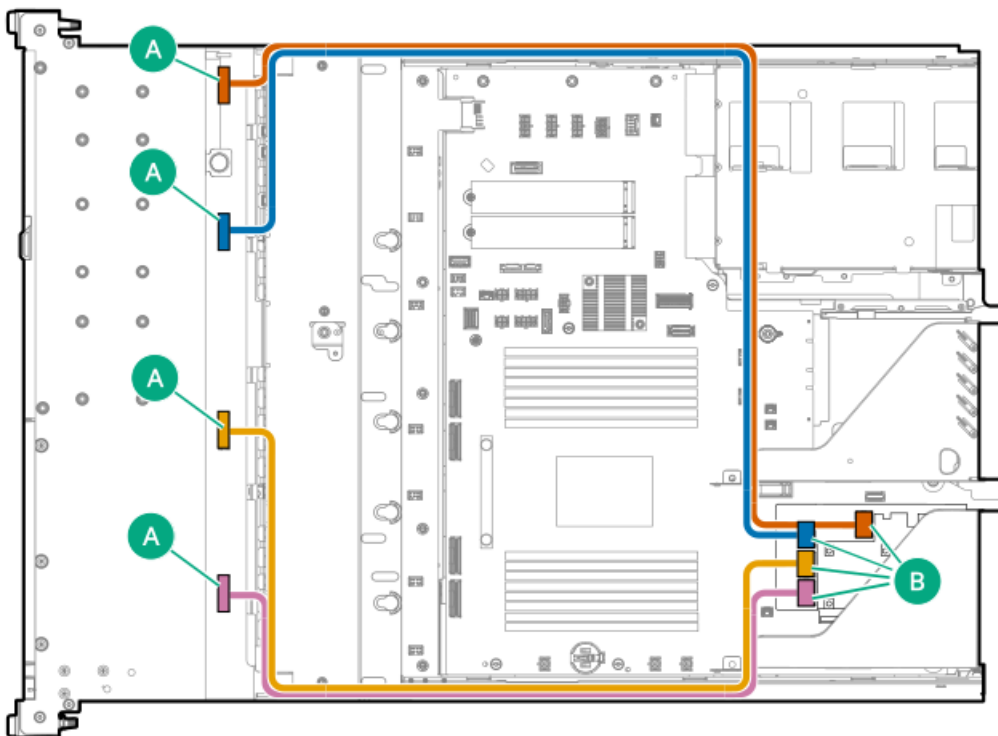
<sup>1</sup> Option kit: P52745-B21  
<sup>2</sup> Option kit: P52747-B21

### 8 SFF drive: Primary type-p controller cabling



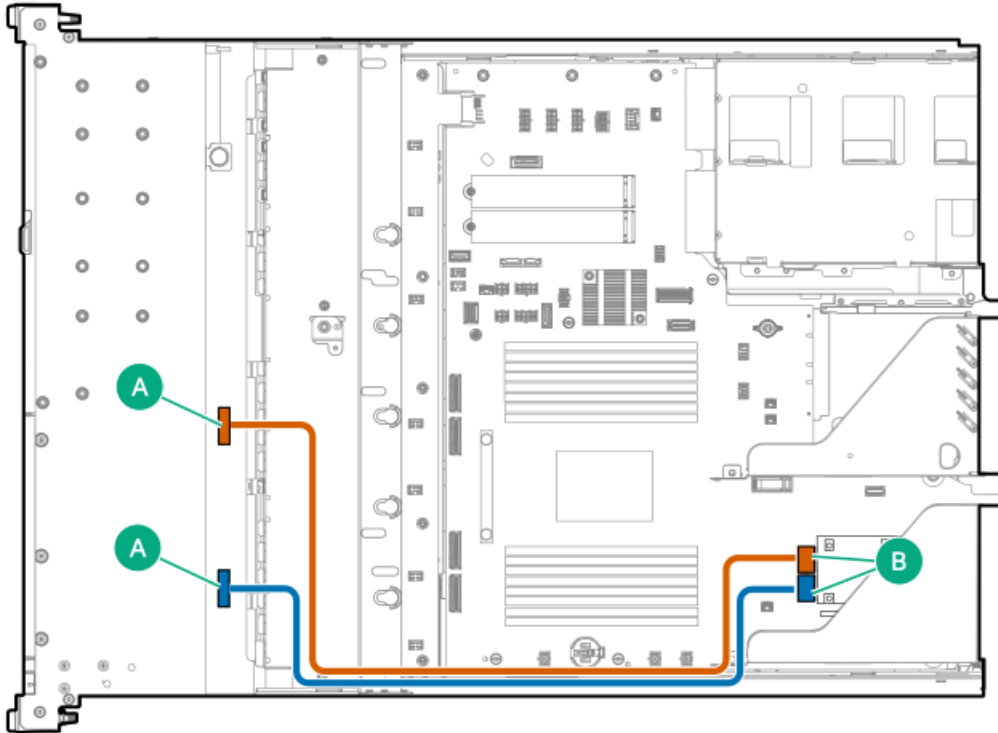


| Cable part number | Color  | From              | To     |
|-------------------|--------|-------------------|--------|
| P53977-001        | Orange | Port 1 and port 2 | Port 1 |
| P53978-001        | Blue   | Port 3 and port 4 | Port 2 |



| Cable part number | Color  | From   | To     |
|-------------------|--------|--------|--------|
| P45611-001        | Orange | Port 1 | Port 1 |
|                   | Blue   | Port 2 | Port 2 |
| P53972-001        | Yellow | Port 3 | Port 3 |
| P53976-001        | Pink   | Port 4 | Port 4 |

<sup>1</sup> Option kit: P52775-B21

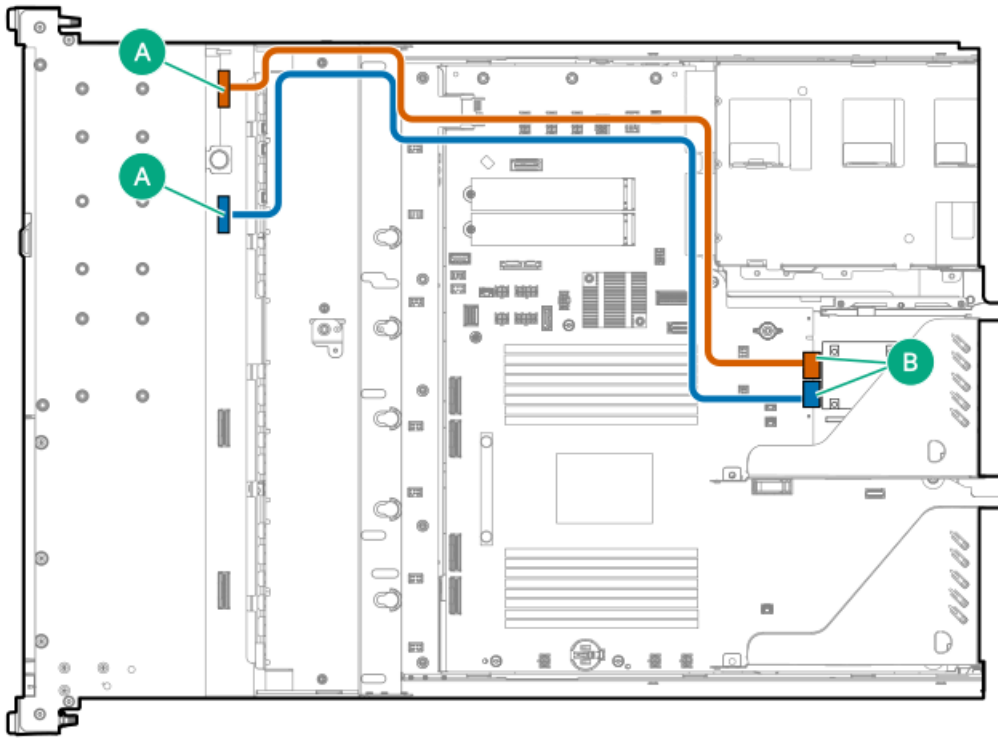


| Cable part number       | Color  | From   | To     |
|-------------------------|--------|--------|--------|
| P53972-001 <sup>1</sup> | Orange | Port 3 | Port 1 |
| P53976-001 <sup>1</sup> | Blue   | Port 4 | Port 2 |

<sup>1</sup> Option kit: P52775-B21; P66963-B21

### 8 SFF drive: Secondary type-p controller cabling

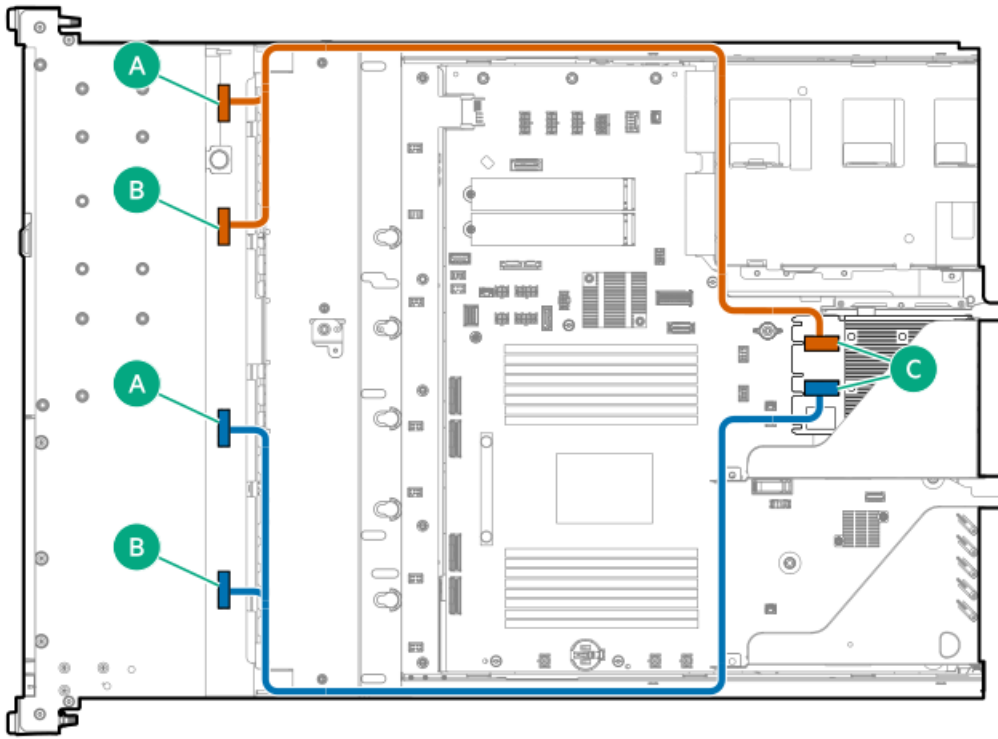




| Cable part number | Color  | From   | To     |
|-------------------|--------|--------|--------|
| P64312-001        | Orange | Port 1 | Port 1 |
|                   | Blue   | Port 2 | Port 2 |

**8 SFF drive: Type-o controller cabling**





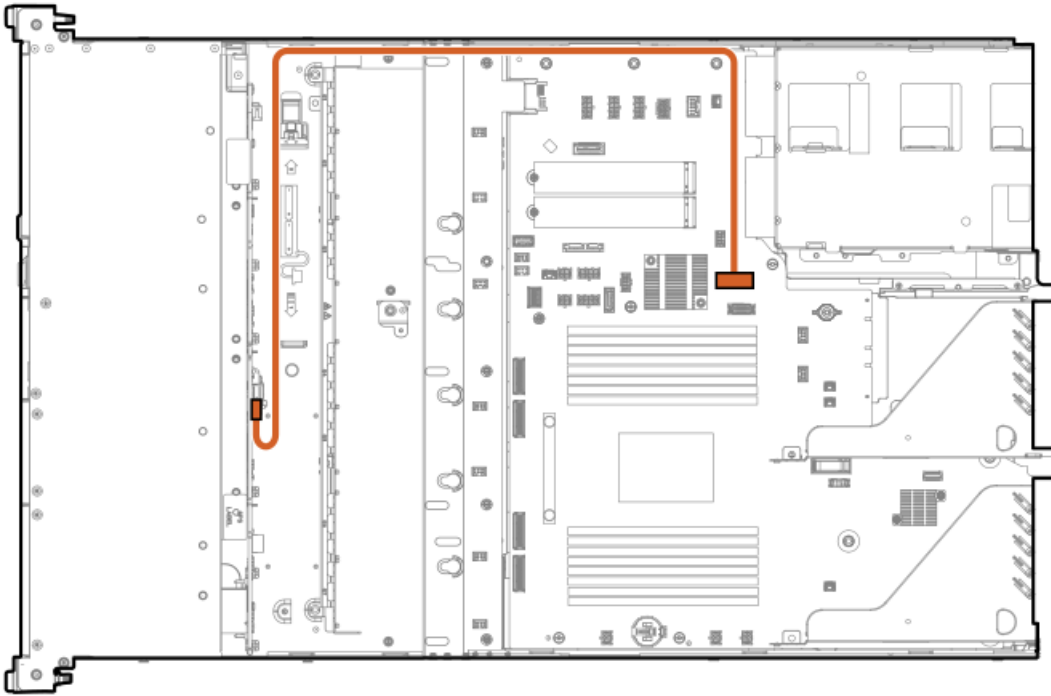
| Cable part number       | Color  | From              | To     |
|-------------------------|--------|-------------------|--------|
| P53979-001 <sup>1</sup> | Orange | Port 1 and port 2 | Port 1 |
| P48964-001 <sup>1</sup> | Blue   | Port 3 and port 4 | Port 2 |

<sup>1</sup> Option kit: P52780-B21

#### 4 LFF drive controller cabling

#### 4 LFF drive: Onboard SATA cabling

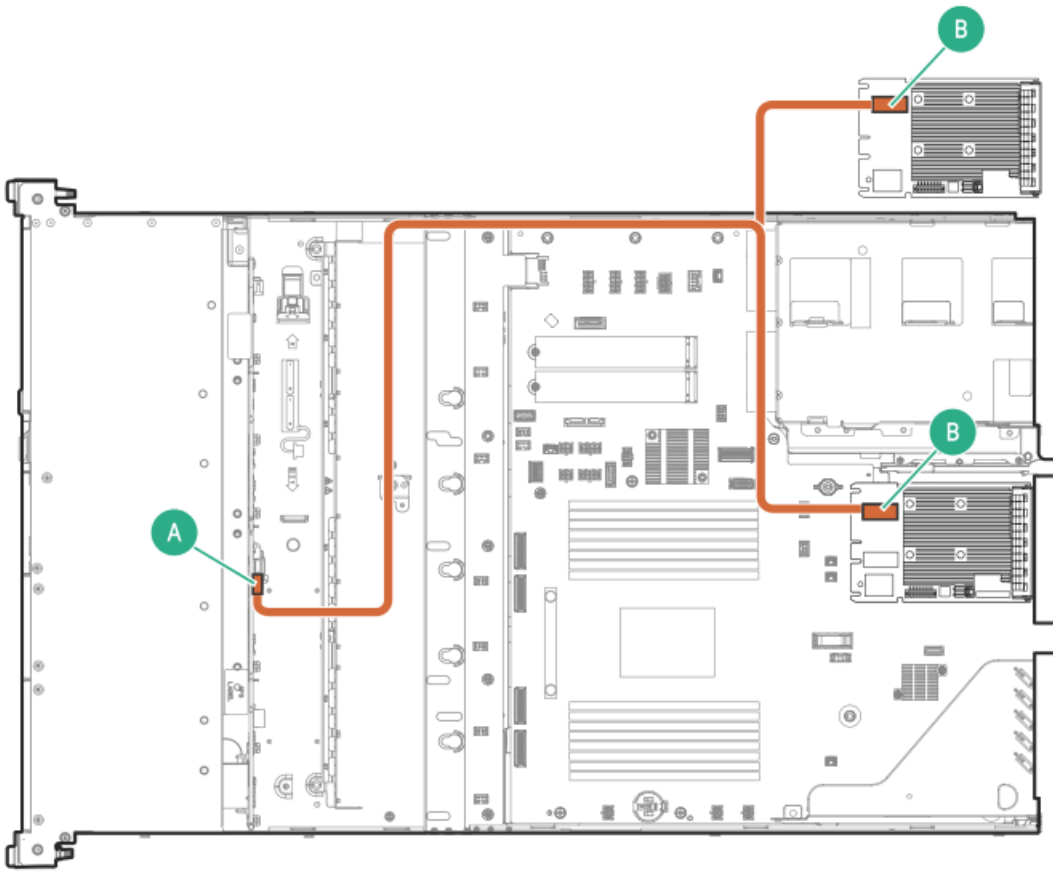




| Cable part number | Color  | From                  | To                |
|-------------------|--------|-----------------------|-------------------|
| P53989-001        | Orange | 4 LFF drive backplane | x8 slimSAS port 1 |

**4 LFF drive: Type-o controller cabling**





| Cable part number | Color  | From                  | To                            |
|-------------------|--------|-----------------------|-------------------------------|
| P53989-001        | Orange | 4 LFF drive backplane | Port 1 or port 2 <sup>1</sup> |

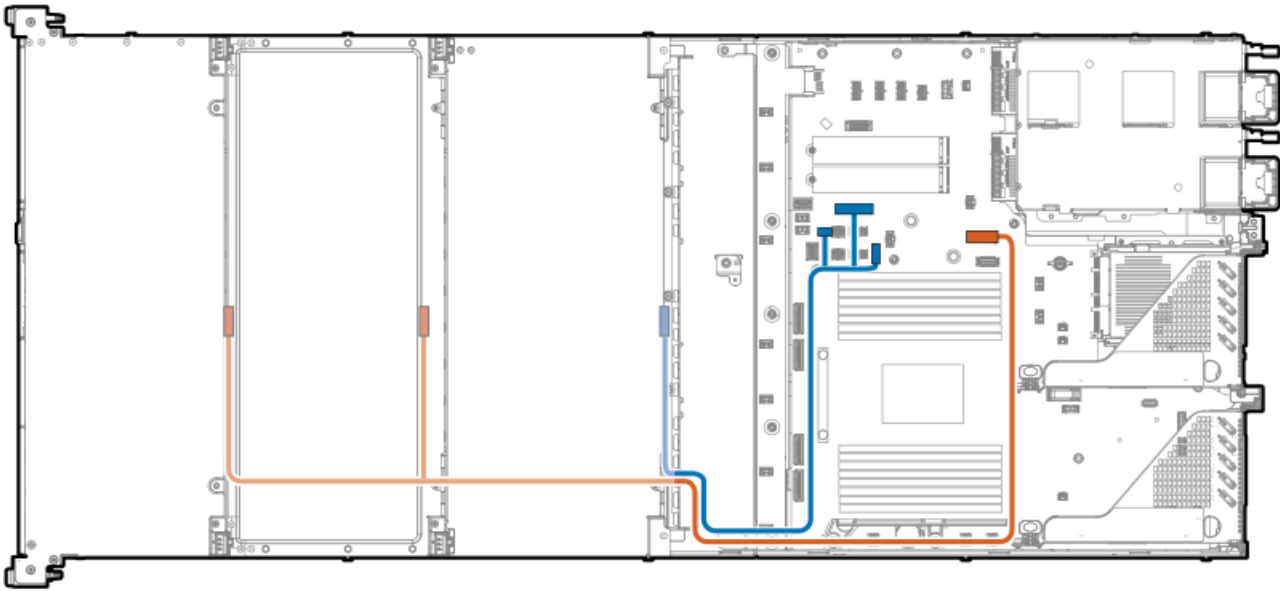
<sup>1</sup> The cable connects to port 1 on a controller with one port and port 1 or port 2 on a controller with two ports.

## 10 LFF drive controller cabling

### 10 LFF drive: Onboard SAS/SATA cabling







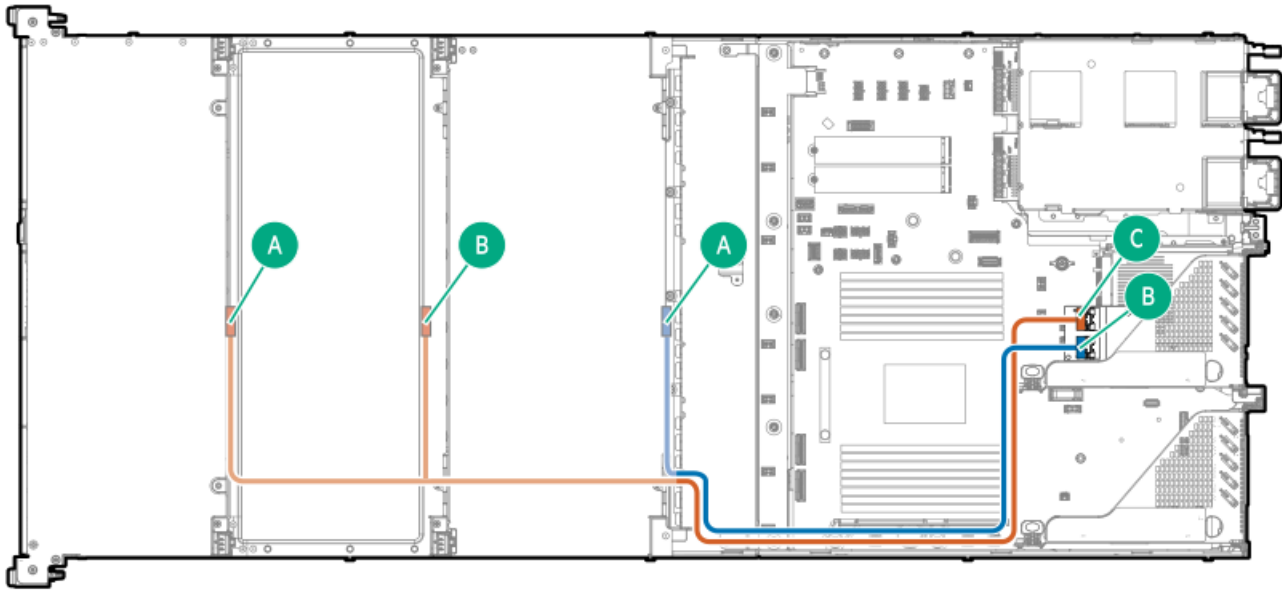
| Cable part number       | Color  | From                                  | To   |
|-------------------------|--------|---------------------------------------|--|
| P54928-001 <sup>1</sup> | Orange | 4 LFF drive backplane box 1 and box 3 | x8 slimSAS port 1  |
| P54929-001 <sup>1</sup> | Blue   | 4 LFF drive backplane box 5           | SATA sideband connector and Optical drive power connector and SATA 6 Gb/s port |

<sup>1</sup> Option kit: P59459-B21

## 12 LFF drive controller cabling

### 12 LFF drive: Secondary type-p controller cabling



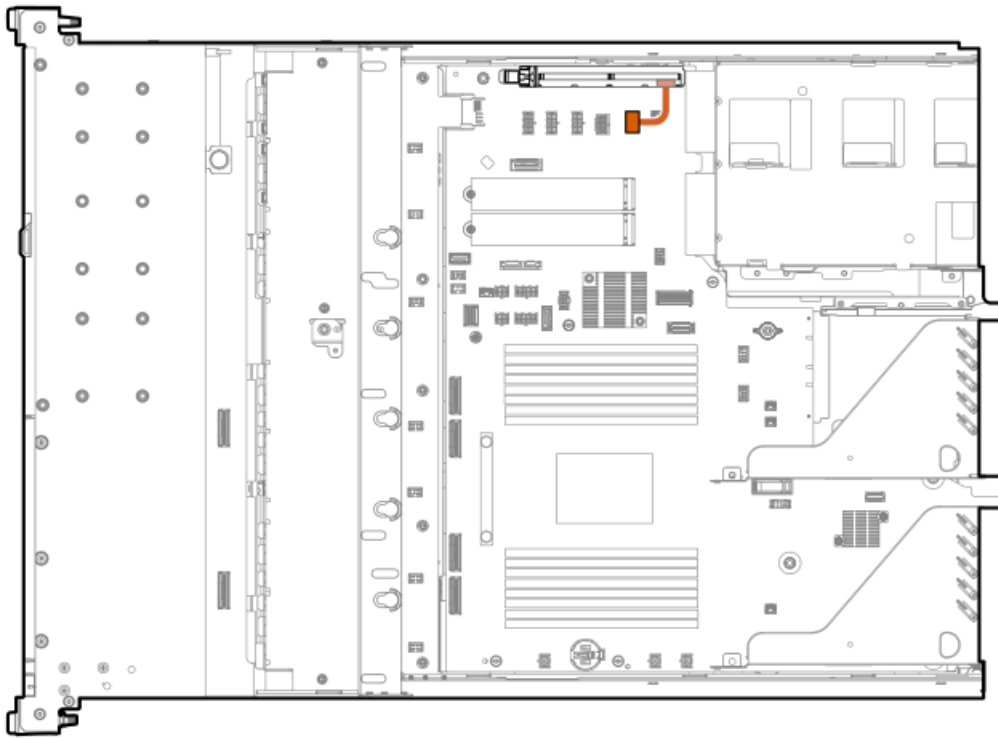


| Cable part number       | Color  | From                                  | To     |
|-------------------------|--------|---------------------------------------|--------|
| P54930-001 <sup>1</sup> | Orange | 4 LFF drive backplane box 1 and box 3 | Port 1 |
| P54931-001 <sup>1</sup> | Blue   | 4 LFF drive backplane box 5           | Port 2 |

<sup>1</sup> Option kit: P60892-B21

## Energy pack cabling





| Cable part number | Color  | From                  | To          |
|-------------------|--------|-----------------------|-------------|
| P01366-B21        | Orange | Energy pack connector | Energy pack |

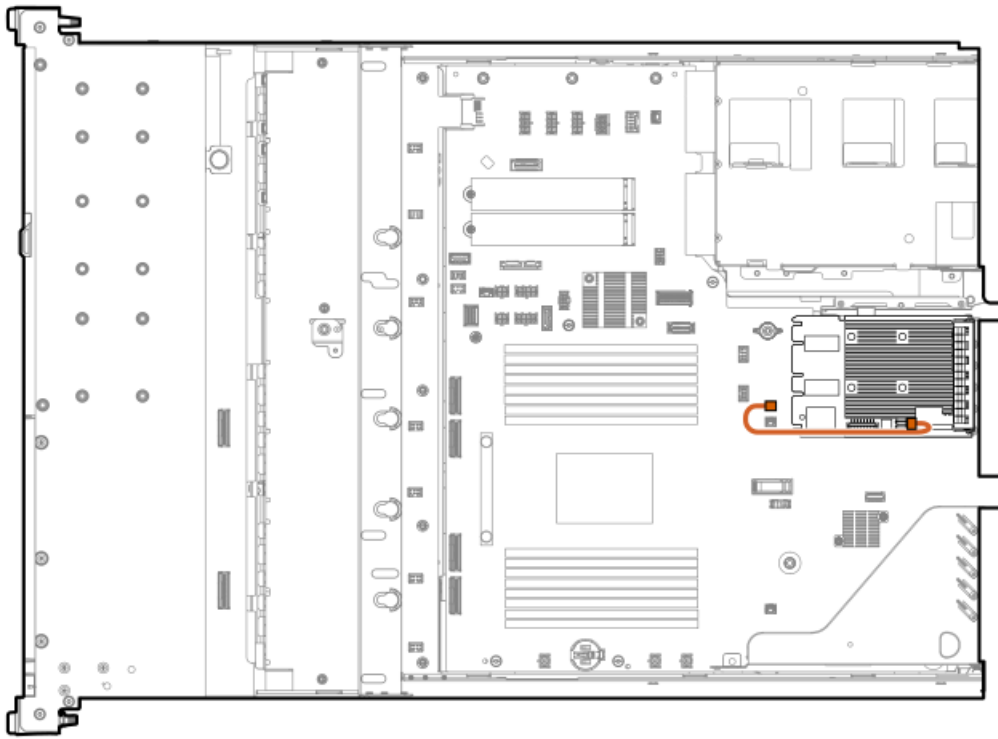
## Storage controller backup cabling

The exact route of the storage controller backup power cabling will depend on:

- The riser slot where the controller is installed
- The location of the storage controller backup power connector on the controller

Use the following diagrams for reference only.





**Cable part number**

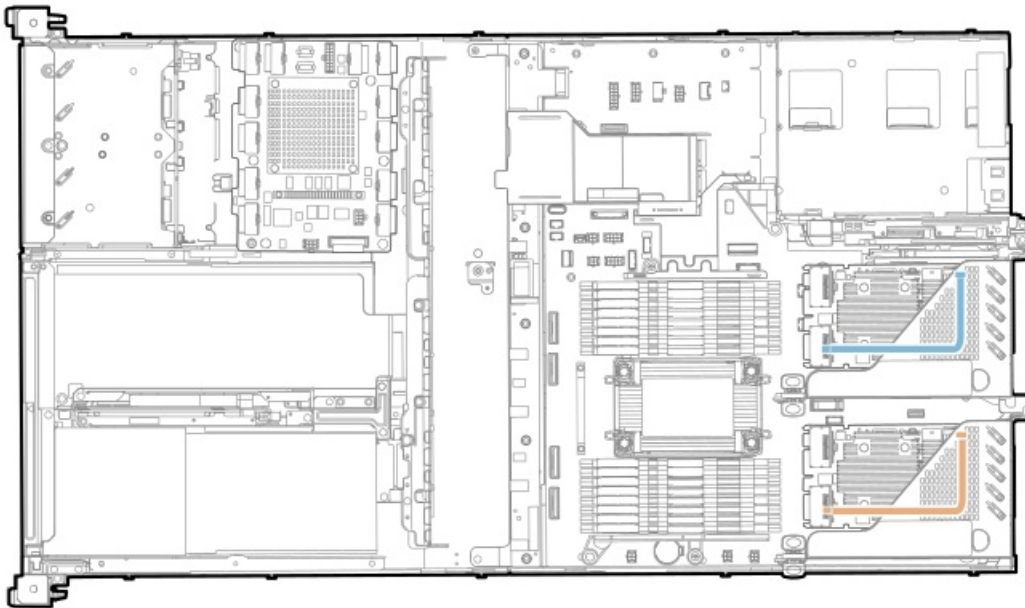
**From**

**To**

877849-001

OCP port

Storage controller backup power connector



| Color  | From                        | To   |
|--------|-----------------------------|--|
| Orange | Primary type-p controller   | Storage controller backup power connector for slot 1 |
| Blue   | Secondary type-p controller | Storage controller backup power connector for slot 2 |

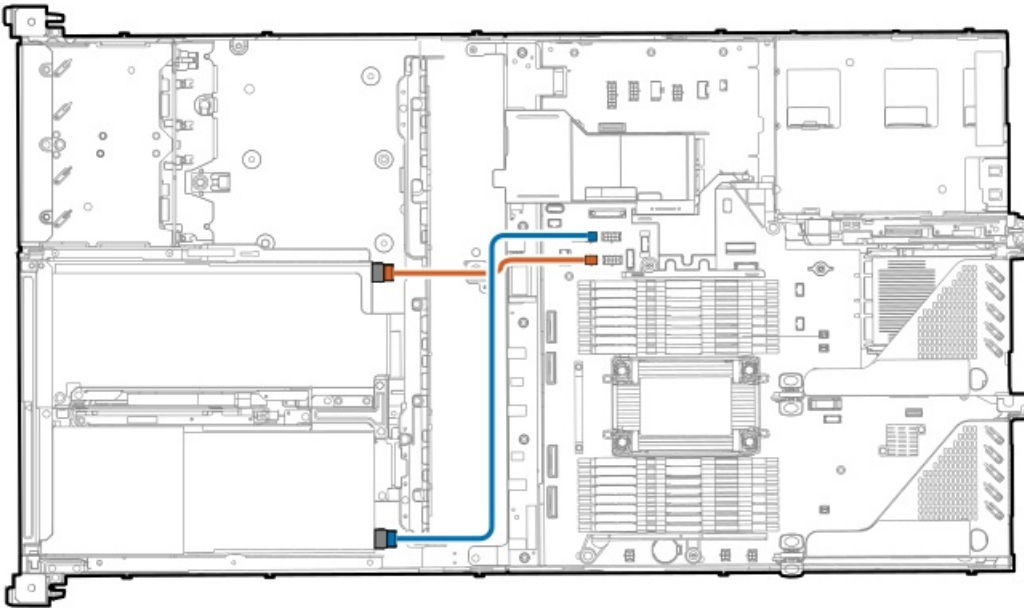
## Accelerator cabling

### Subtopics

[GPU auxiliary power cabling](#)

[GPU riser cabling](#)

## GPU auxiliary power cabling

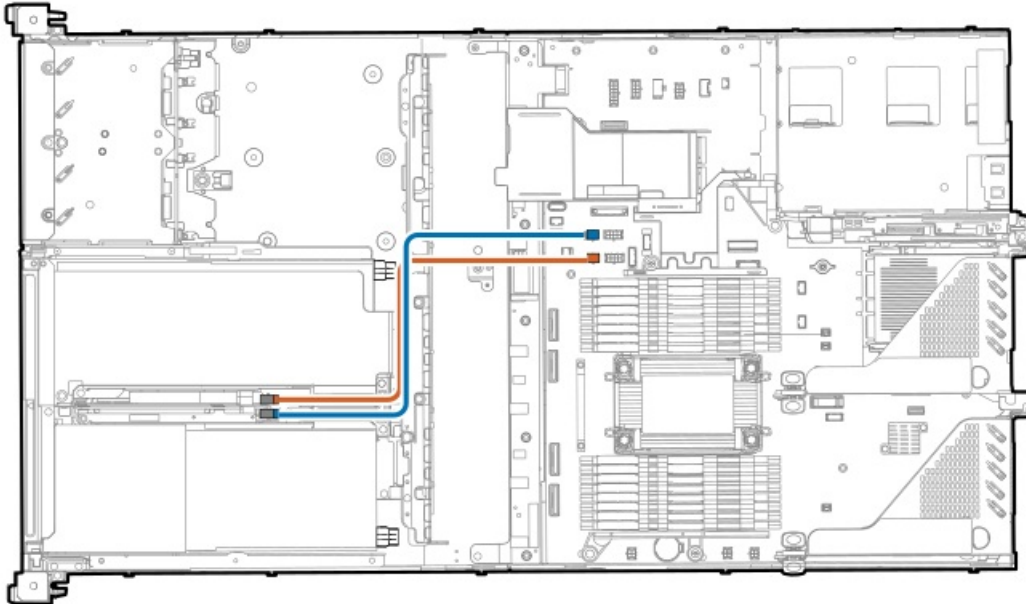


| Cable part number       | Color  | From   | To                            |
|-------------------------|--------|--|-------------------------------|
| P60495-001 <sup>1</sup> | Orange | GPU power port on the primary GPU riser cage   | GPU auxiliary power connector |
| P61488-001 <sup>2</sup> |        |  |                               |
| P68828-001 <sup>3</sup> | Blue   | GPU power port on the secondary GPU riser cage | GPU auxiliary power connector |
| P61487-001 <sup>4</sup> |        |  |                               |
| P61489-001 <sup>5</sup> |        |  |                               |
| P68829-001 <sup>6</sup> |        |  |                               |

- <sup>1</sup> Option kit: P62201-B21
- <sup>2</sup> Option kit: P62205-B21
- <sup>3</sup> Option kit: P69104-B21
- <sup>4</sup> Option kit: P62203-B21
- <sup>5</sup> Option kit: P62207-B21

## GPU riser cabling

### GPU riser power cabling

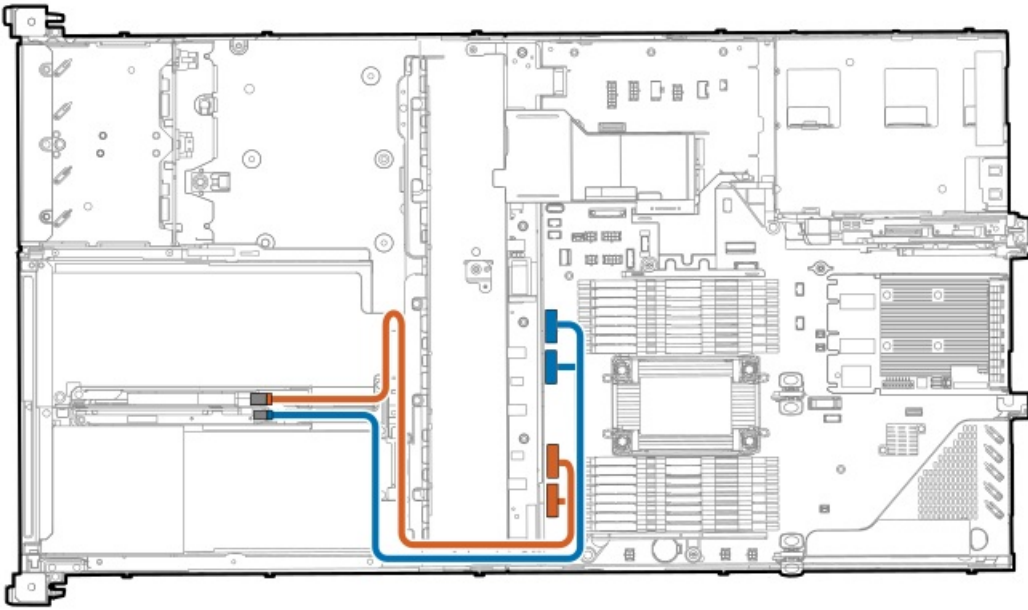


| Cable part number       | Color  | From                | To                        |
|-------------------------|--------|---------------------|---------------------------|
| P60489-001 <sup>1</sup> | Orange | GPU primary riser   | GPU riser power connector |
| P60490-001 <sup>1</sup> | Blue   | GPU secondary riser |                           |

<sup>1</sup> Option kit: P62197-B21

### GPU riser signal cabling

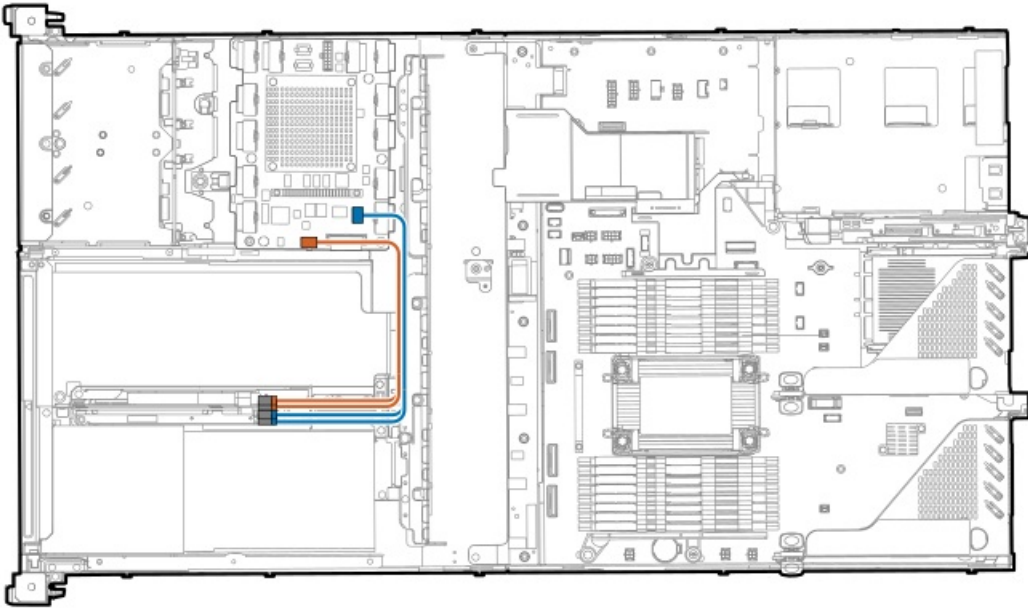




| Cable part number       | Color  | From                | To                          |
|-------------------------|--------|---------------------|-----------------------------|
| P51471-001 <sup>1</sup> | Orange | GPU primary riser   | MCIO port 1 and MCIO port 2 |
|                         | Blue   | GPU secondary riser | MCIO port 3 and MCIO port 4 |

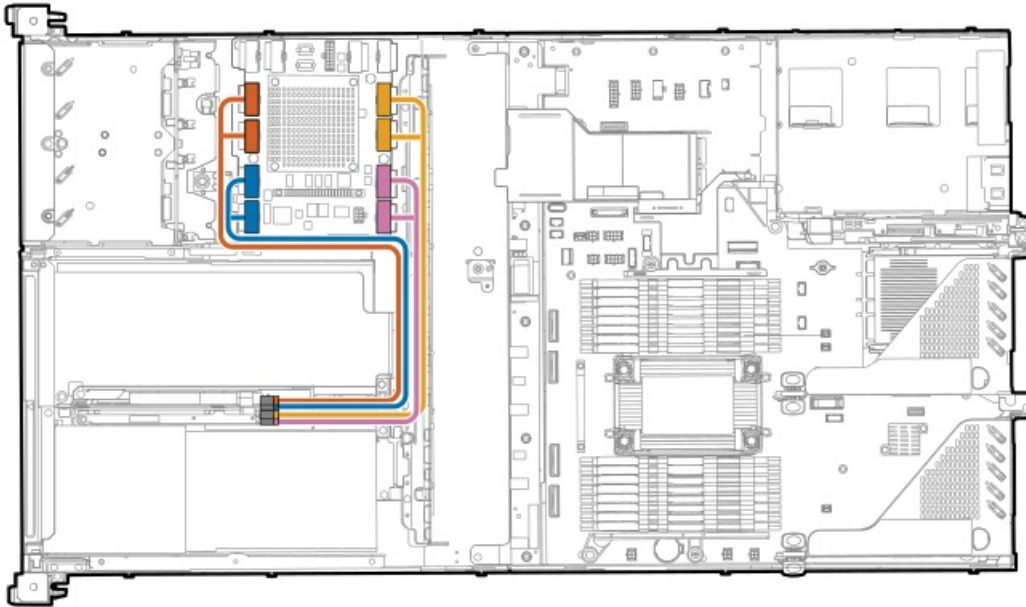
<sup>1</sup> Option kit: P62197-B21

### GPU riser power cabling to the switch board



| Cable part number | Color  | From                      | To                                     |
|-------------------|--------|---------------------------|--|
| P60494-001        | Orange | GPU riser in slot 5 and 6 | GPU riser slot 5 and 6 power connector |
| P60493-001        | Blue   | GPU riser in slot 3 and 4 | GPU riser slot 3 and 4 power connector |

## GPU riser signal cabling to the switch board



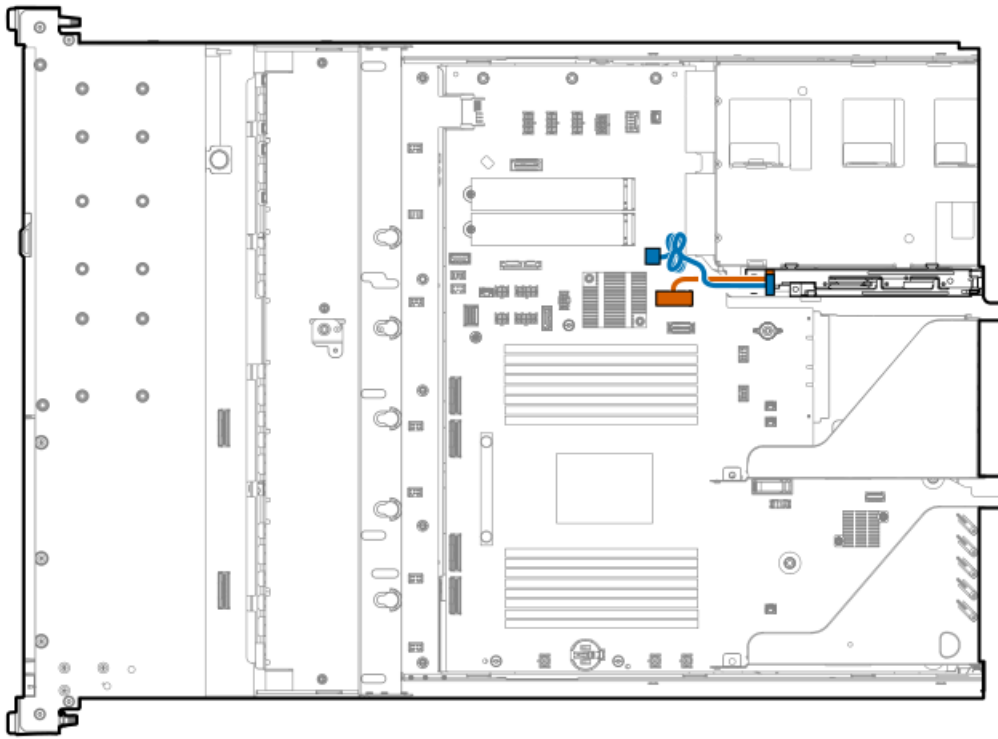
| Cable part number | Color  | From                                      | To               |
|-------------------|--------|---|------------------|
| P44002-001        | Orange | P2 GPU riser slot 3 MCIO connector (PRIM) | GPU riser slot 3 |
|                   |        | P3 GPU riser slot 3 MCIO connector (SEC)  |                  |
|                   | Blue   | P2 GPU riser slot 4 MCIO connector (PRIM) | GPU riser slot 4 |
|                   |        | P3 GPU riser slot 4 MCIO connector (SEC)  |                  |
| P55910-001        | Yellow | P2 GPU riser slot 5 MCIO connector (PRIM) | GPU riser slot 5 |
|                   |        | P3 GPU riser slot 5 MCIO connector (SEC)  |                  |
|                   | Pink   | P2 GPU riser slot 6 MCIO connector (PRIM) | GPU riser slot 6 |
|                   |        | P3 GPU riser slot 6 MCIO connector (SEC)  |                  |

## HPE NS204i Boot Device cabling

### HPE NS204i Boot Device cabling: Option 1





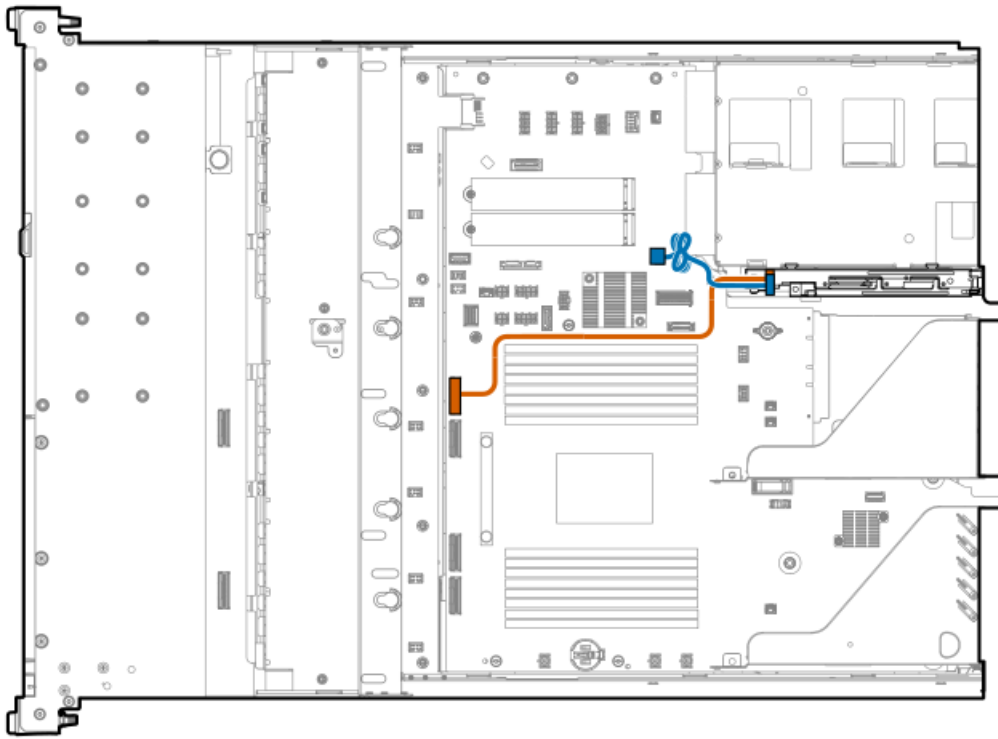


| Cable part number       | Color  | From                | To                              |
|-------------------------|--------|---------------------|---------------------------------|
| P54087-001 <sup>1</sup> | Orange | Boot device carrier | x8 slimSAS port 1               |
| P54088-001 <sup>1</sup> | Blue   | Boot device carrier | M.2 boot device power connector |

<sup>1</sup> Option kit: P52786-B21

### HPE NS204i Boot Device cabling: Option 2





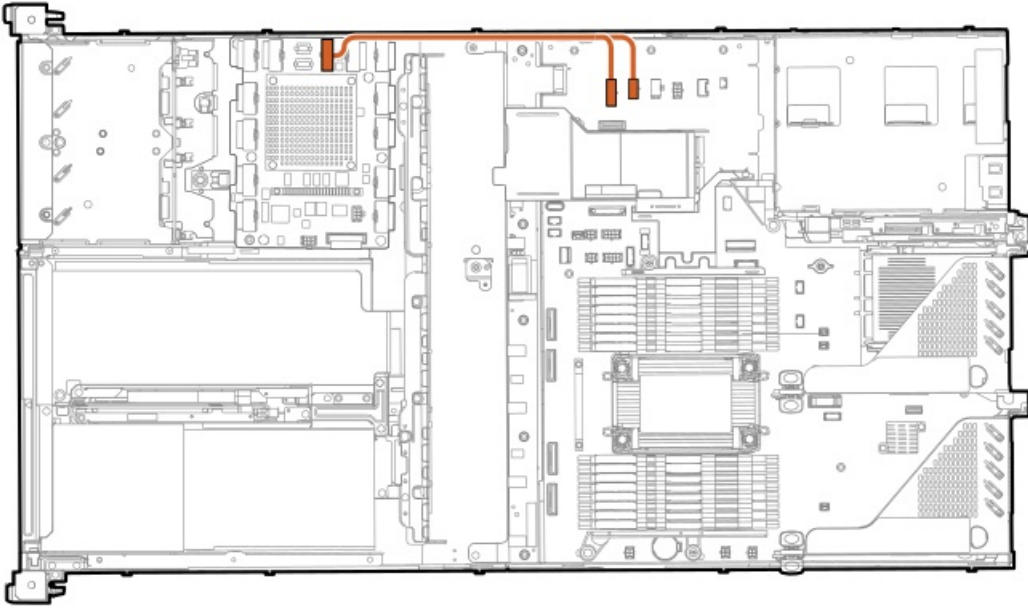
| Cable part number       | Color  | From                | To                              |
|-------------------------|--------|---------------------|---------------------------------|
| P56364-001 <sup>1</sup> | Orange | Boot device carrier | MCIO port 4                     |
| P54088-001 <sup>1</sup> | Blue   | Boot device carrier | M.2 boot device power connector |

<sup>1</sup> Option kit: P52786-B21

## Switch board cabling

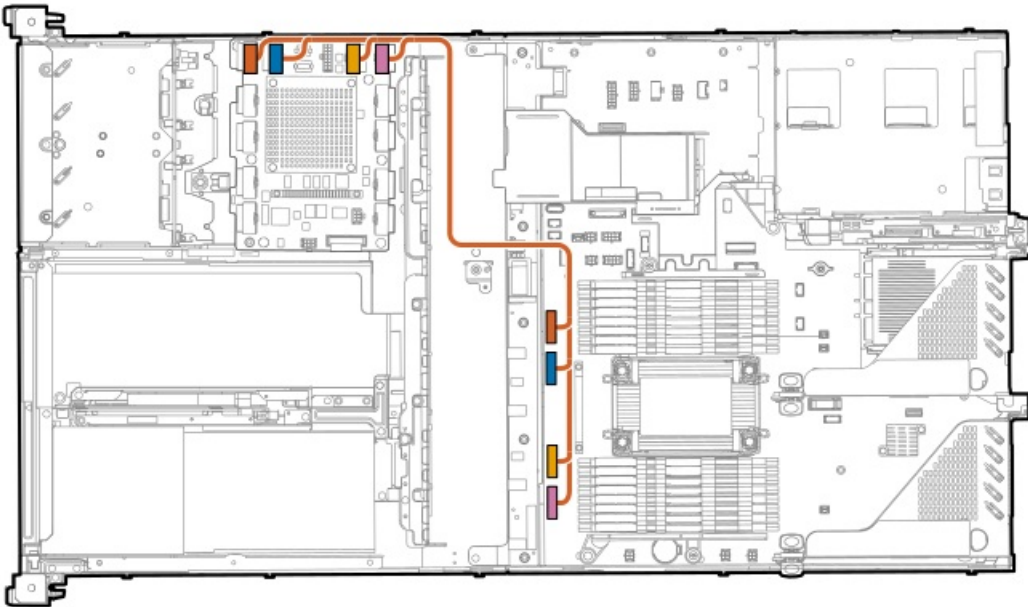
## Power cabling





| Cable part number | Color  | From                         | To  |
|-------------------|--------|------------------------------|---|
| P60491-001        | Orange | Switch board power connector | Drive box 5 power connector and Drive box 3 power connector |

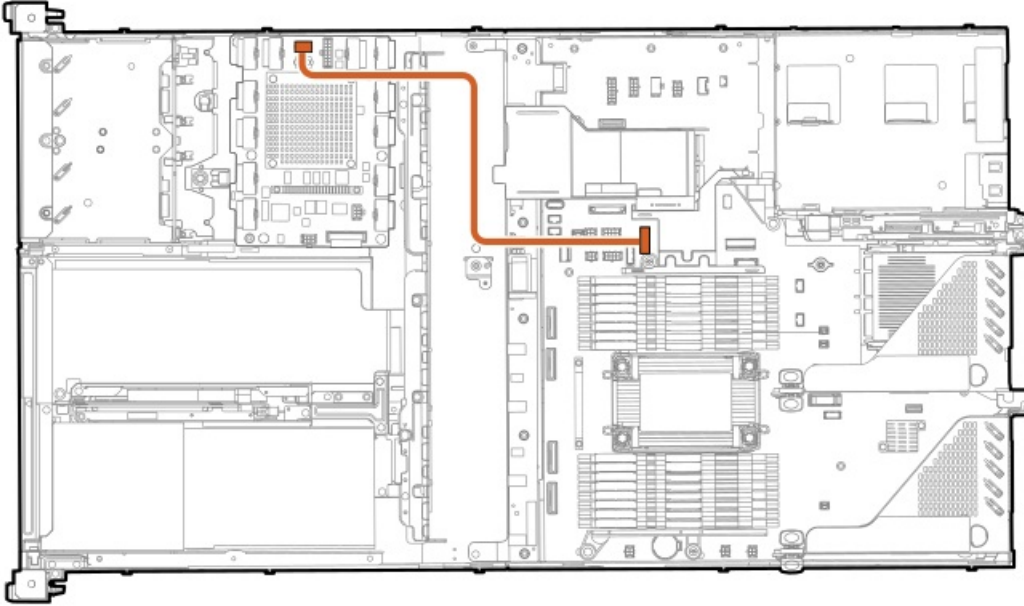
### Signal cabling



| Cable part number | Color  | From                           | To           |
|-------------------|--------|--------------------------------|--------------|
| P60492-001        | Orange | Switch board downstream port 1 | MCI O port 4 |
|                   | Blue   | Switch board downstream port 2 | MCI O port 3 |
|                   | Yellow | Switch board downstream port 3 | MCI O port 2 |
|                   | Pink   | Switch board downstream port 4 | MCI O port 1 |



## Sideband cabling

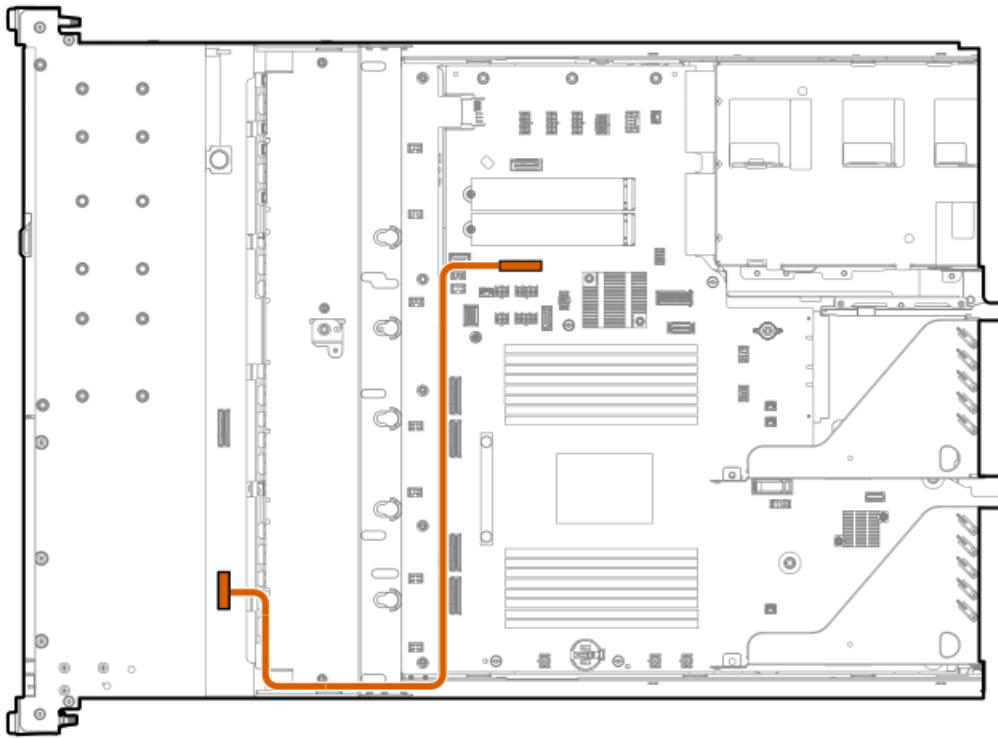


| Cable part number | Color  | From                                    | To                              |
|-------------------|--------|---|---------------------------------|
| P54897-001        | Orange | Switch board signal extension connector | Switch board sideband connector |

## Optical drive cabling

### 8 SFF drive: Optical drive cabling



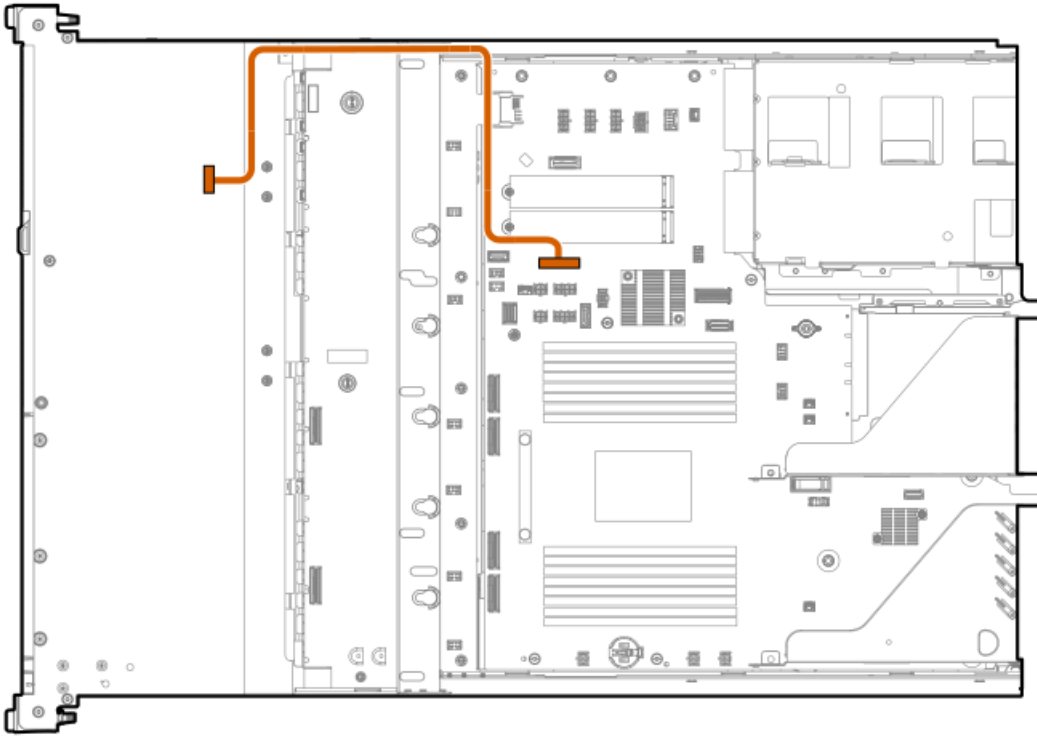


| Cable part number       | Color  | From          | To                      |
|-------------------------|--------|---------------|-------------------------|
| P45622-001 <sup>1</sup> | Orange | Optical drive | Optical drive connector |

<sup>1</sup> Option kit: P54641-B21

#### 4 LFF drive: Optical drive cabling





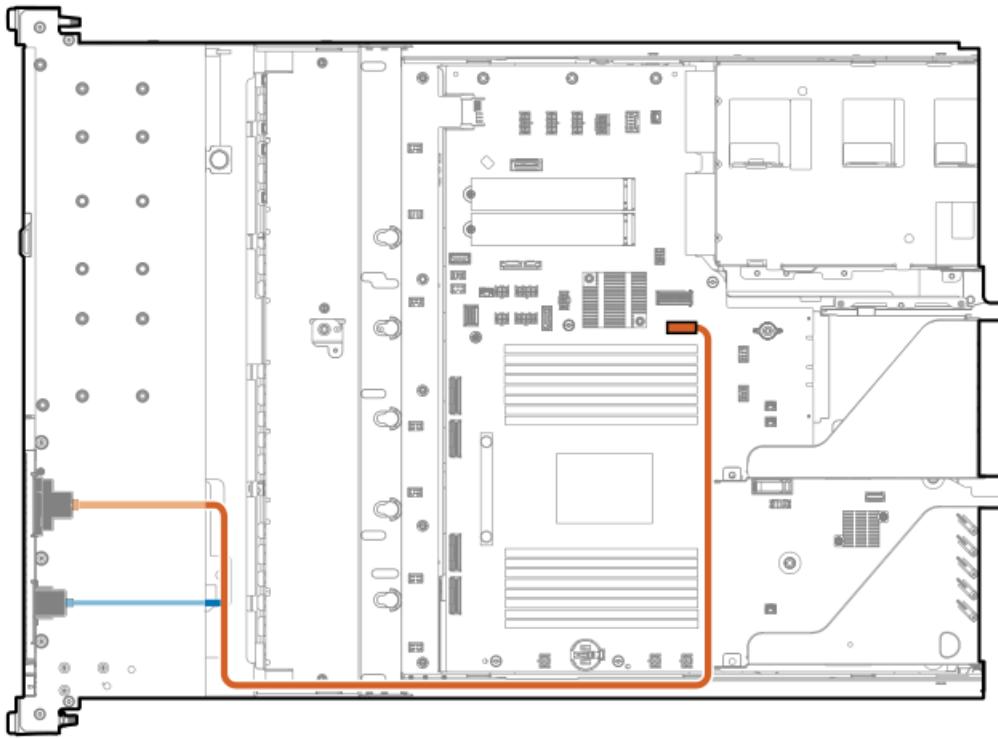
| Cable part number       | From          | To                      |
|-------------------------|---------------|-------------------------|
| P45622-001 <sup>1</sup> | Optical drive | Optical drive connector |

<sup>1</sup> Option kit: P54641-B21

## Display port cabling

### 8 SFF drive: Display port cabling



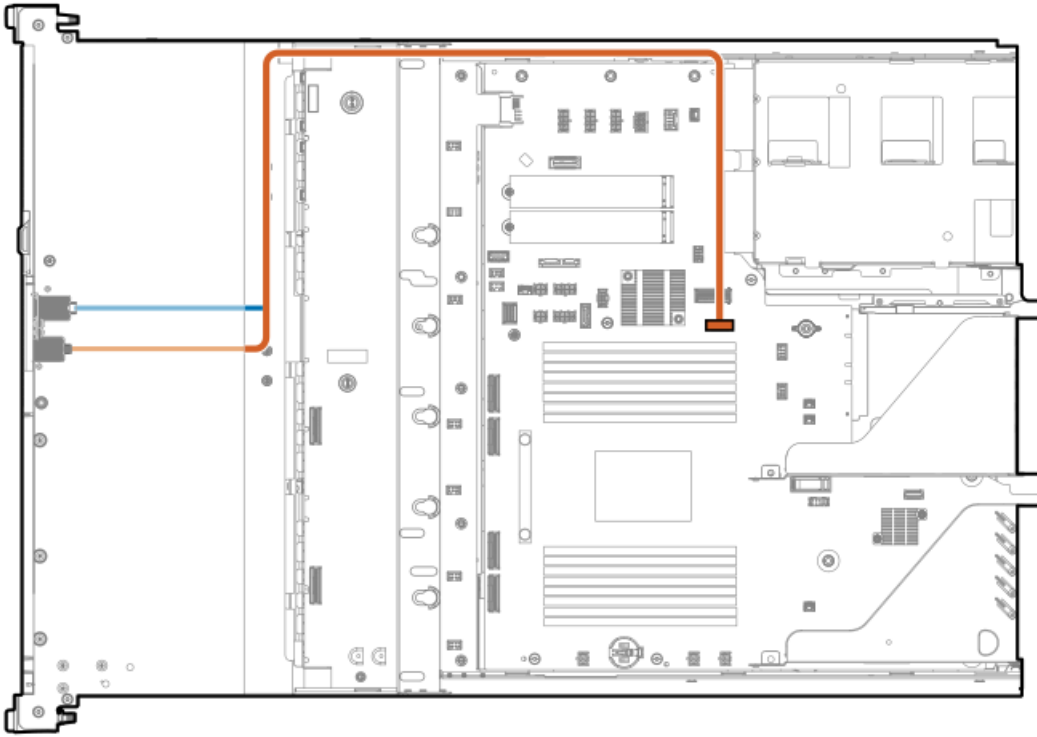


| Cable part number       | Color  | From         | To                           |
|-------------------------|--------|--------------|------------------------------|
| P45620-001 <sup>1</sup> | Orange | Display port | Display port cable connector |
|                         | Blue   | USB 2.0 port |                              |

<sup>1</sup> Option kit: P48926-B21

#### 4 LFF drive: Display port cabling





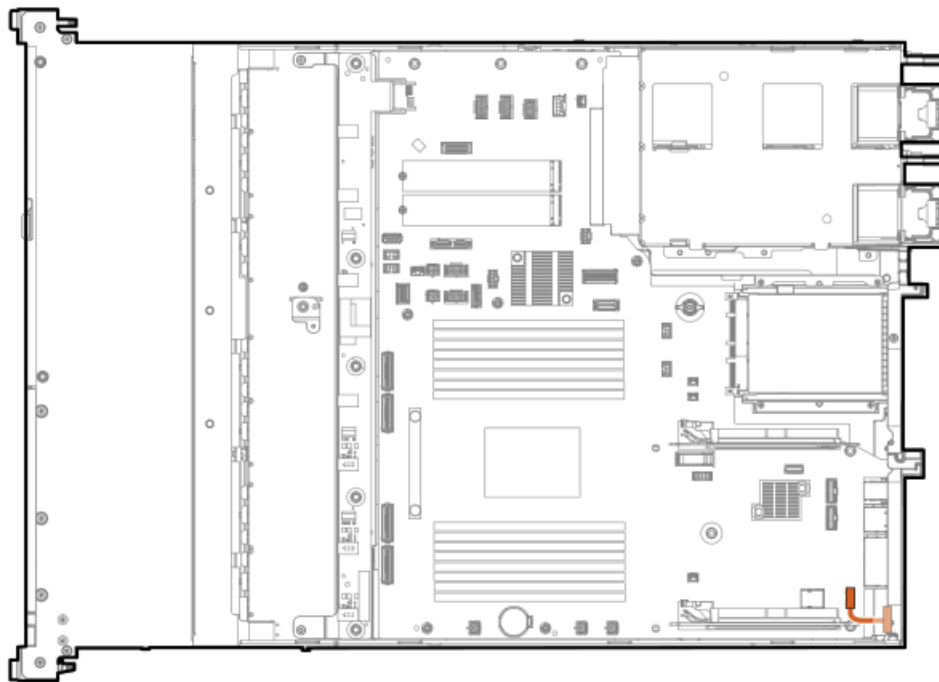
| Cable part number       | Color  | From         | To                           |
|-------------------------|--------|--------------|------------------------------|
| P45619-001 <sup>1</sup> | Orange | Display port | Display port cable connector |
|                         | Blue   | USB 2.0 port |                              |

<sup>1</sup> Option kit: P48928-B21

## Serial port cabling







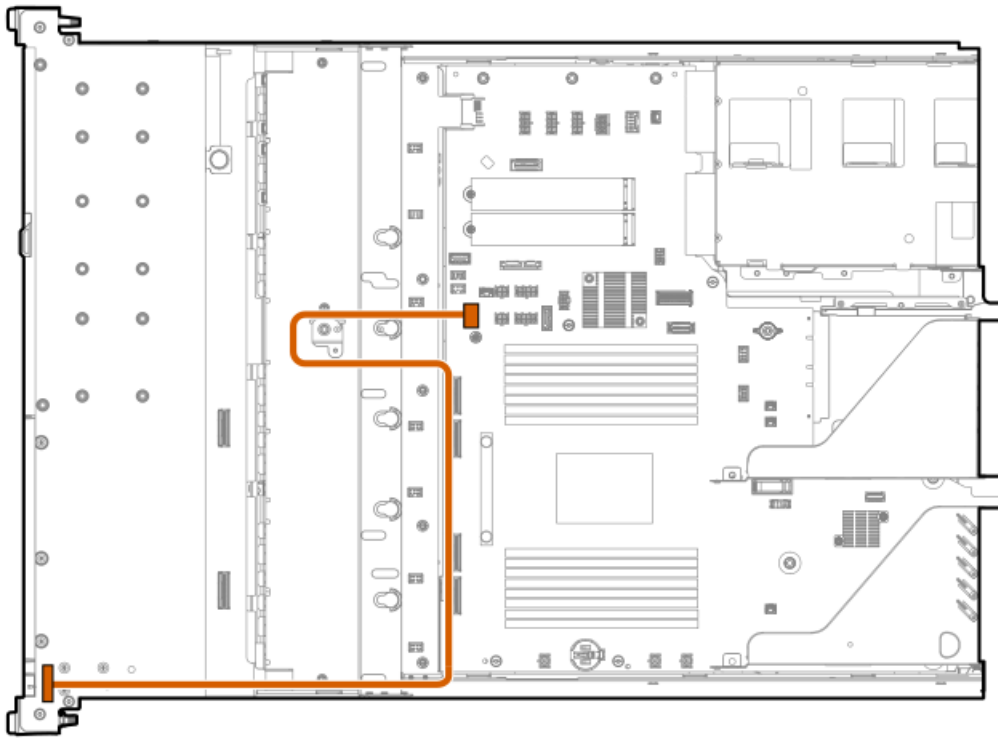
| Cable part number       | Color  | From        | To                    |
|-------------------------|--------|-------------|-----------------------|
| P47752-001 <sup>1</sup> | Orange | Serial port | Serial port connector |

<sup>1</sup> Option kit: P58829-B21

## Front I/O cabling

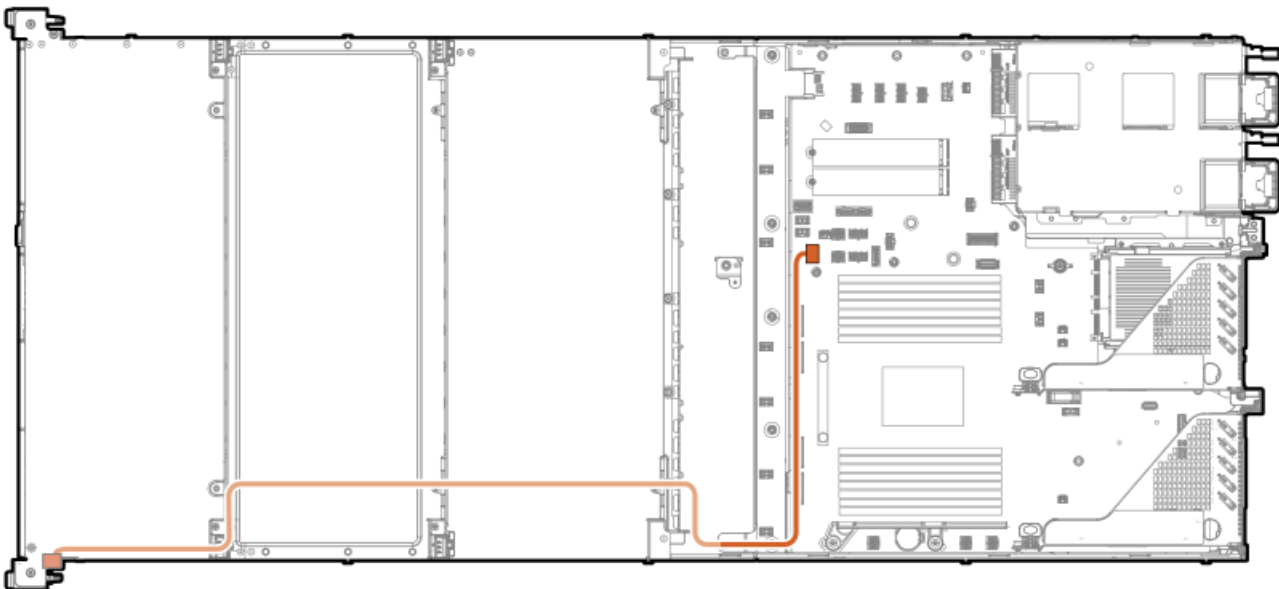
### 8 SFF drive and 4 LFF drive: Front I/O cabling





| Cable part number | Color  | From      | To                  |
|-------------------|--------|-----------|---------------------|
| P43727-001        | Orange | Front I/O | Front I/O connector |

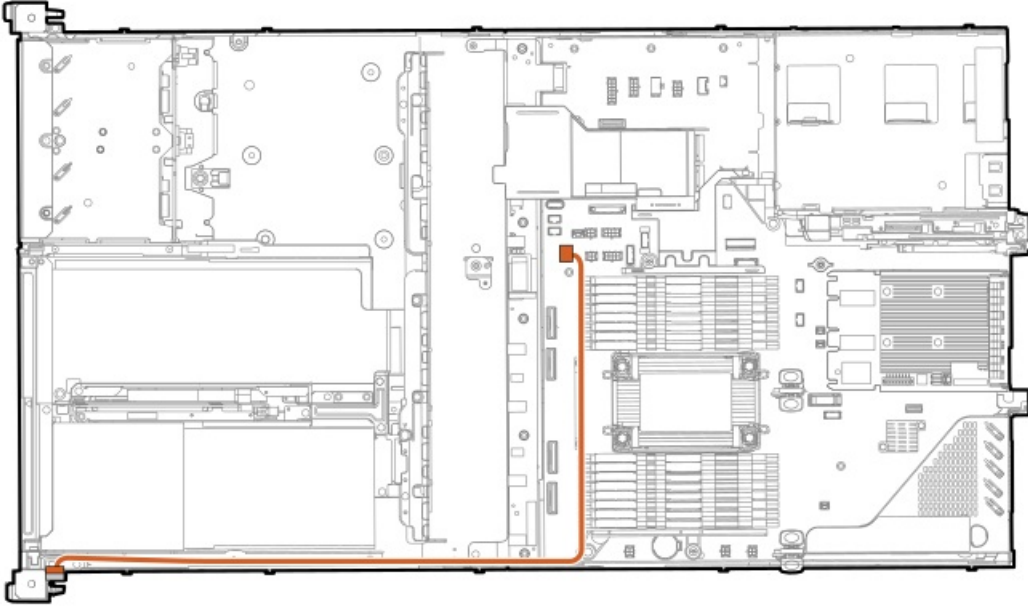
### 10/12 LFF drive: Front I/O cabling



| Cable part number | Color  | From      | To                  |
|-------------------|--------|-----------|---------------------|
| P54923-001        | Orange | Front I/O | Front I/O connector |



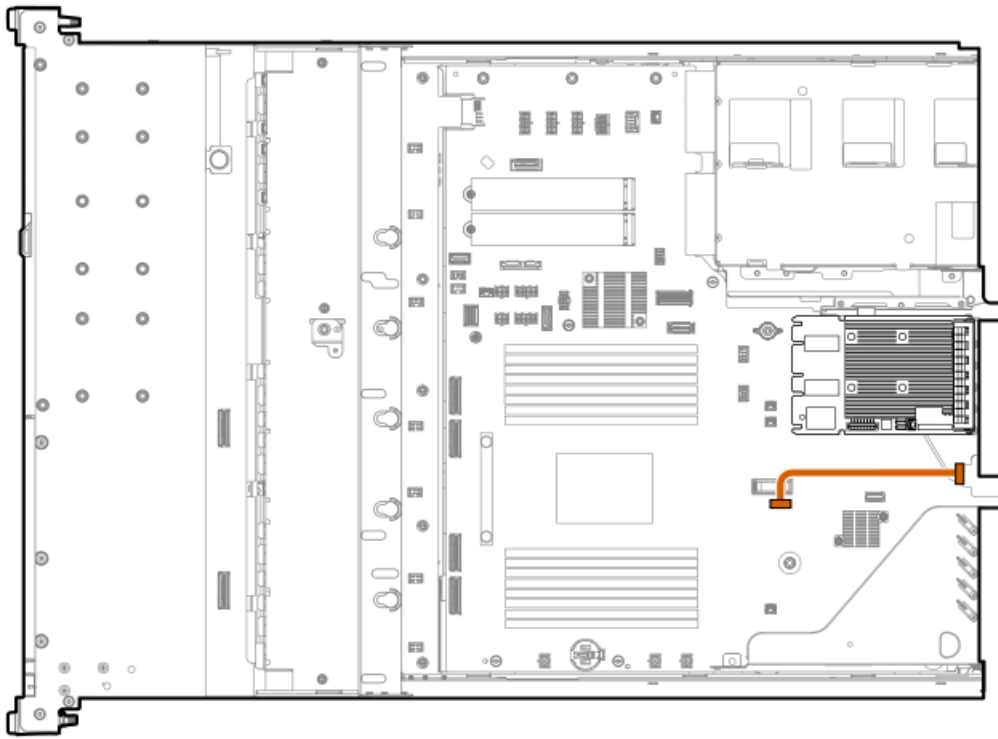
## GPU dense: Front I/O cabling



| Cable part number | Color  | From      | To                  |
|-------------------|--------|-----------|---------------------|
| P47750-001        | Orange | Front I/O | Front I/O connector |

## VGA cabling

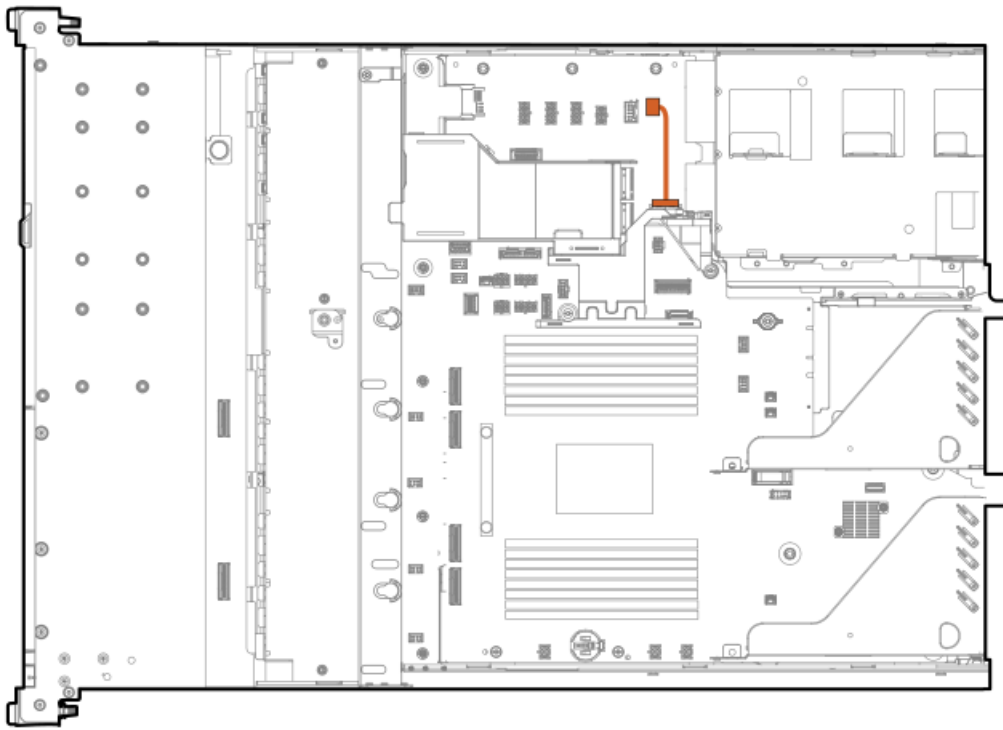




| Cable part number | Color  | From      | To                    |
|-------------------|--------|-----------|-----------------------|
| P53987-001        | Orange | VGA cable | Video (VGA) connector |

## Chassis intrusion detection switch cabling





| Cable part number       | Color  | From                     | To                                 |
|-------------------------|--------|--------------------------|------------------------------------|
| 869413-001 <sup>1</sup> | Orange | Chassis intrusion switch | Chassis intrusion switch connector |

<sup>1</sup> Option kit: P55417-B21

## Troubleshooting

### Subtopics

[NMI functionality](#)

[Troubleshooting resources](#)

## NMI functionality

An NMI crash dump enables administrators to create crash dump files when a system is not responding to traditional debugging methods.

An analysis of the crash dump log is an essential part of diagnosing reliability problems, such as hanging operating systems, device drivers, and applications. Many crashes freeze a system, and the only available action for administrators is to cycle the system power. Resetting the system erases any information that could support problem analysis, but the NMI feature preserves that information by performing a memory dump before a hard reset.

To force the OS to initiate the NMI handler and generate a crash dump log, the administrator can use the iLO Generate NMI feature.

## Troubleshooting resources

Troubleshooting resources are available for HPE Gen11 server products in the following documents:



- Troubleshooting Guide for HPE ProLiant Gen11 servers provides procedures for resolving common problems and comprehensive courses of action for fault isolation and identification, issue resolution, and software maintenance.

<https://www.hpe.com/info/gen11-troubleshooting>

- Integrated Management Log Messages for HPE ProLiant Gen10, Gen10 Plus, and Gen11 servers and HPE Synergy provides IML messages and associated troubleshooting information to resolve critical and cautionary IML events.

<https://www.hpe.com/info/Troubleshooting-IML-en>

## Safety, warranty, and regulatory information

### Subtopics

[Regulatory information](#)

[Warranty information](#)

## Regulatory information

To view the regulatory information for your product, view the Safety and Compliance Information for Server, Storage, Power, Networking, and Rack Products, available at the Hewlett Packard Enterprise Support Center:

<https://www.hpe.com/support/Safety-Compliance-EnterpriseProducts>

## Additional regulatory information

Hewlett Packard Enterprise is committed to providing our customers with information about the chemical substances in our products as needed to comply with legal requirements such as REACH (Regulation EC No 1907/2006 of the European Parliament and the Council). A chemical information report for this product can be found at:

<https://www.hpe.com/info/reach>

For Hewlett Packard Enterprise product environmental and safety information and compliance data, including RoHS and REACH, see:

<https://www.hpe.com/info/ecodata>

For Hewlett Packard Enterprise environmental information, including company programs, product recycling, and energy efficiency, see:

<https://www.hpe.com/info/environment>

### Subtopics

[Notices for Eurasian Economic Union](#)

[Turkey RoHS material content declaration](#)

[Ukraine RoHS material content declaration](#)

## Notices for Eurasian Economic Union



### Manufacturer and Local Representative Information

#### Manufacturer information:

Hewlett Packard Enterprise Company, 1701 E Mossy Oaks Road, Spring, TX 77389 U.S.

#### Local representative information Russian:

- **Russia**  
ООО "Хьюлетт Паккард Энтерпрайз", Российская Федерация, 125171, г. Москва, Ленинградское шоссе, 16А, стр.3, Телефон: +7 499 403 4248 Факс: +7 499 403 4677
- **Kazakhstan**  
ТОО «Хьюлетт-Паккард (К)», Республика Казахстан, 050040, г. Алматы, Бостандыкский район, проспект Аль-Фараби, 77/7, Телефон/факс: + 7 727 355 35 50

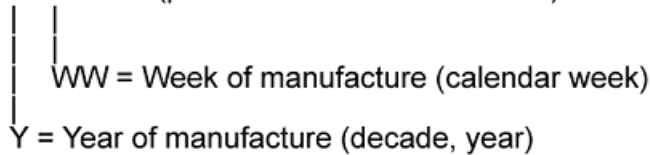
#### Local representative information Kazakh:

- **Russia**  
ЖШС "Хьюлетт Паккард Энтерпрайз", Ресей Федерациясы, 125171, Мәскеу, Ленинград тас жолы, 16А блок 3, Телефон: +7 499 403 4248 Факс: +7 499 403 4677
- **Kazakhstan**  
ЖШС «Хьюлетт-Паккард (К)», Қазақстан Республикасы, 050040, Алматы к., Бостандық ауданы, Әл-Фараби даңғ ылы, 77/7, Телефон/факс: +7 727 355 35 50

#### Manufacturing date:

The manufacturing date is defined by the serial number.

CCSYWWZZZZ (product serial number format)



If you need help identifying the manufacturing date, contact [tre@hpe.com](mailto:tre@hpe.com).

## Turkey RoHS material content declaration

Türkiye Cumhuriyeti: AEEE Yönetmeliğine Uygundur

## Ukraine RoHS material content declaration

Обладнання відповідає вимогам Технічного регламенту щодо обмеження використання деяких небезпечних речовин в електричному та електронному обладнанні, затвердженого постановою Кабінету Міністрів України від 3 грудня 2008 № 1057

## Warranty information

To view the warranty information for your product, see the [warranty check tool](#).

## Specifications

## Subtopics

[Environmental specifications](#)

[Mechanical specifications](#)

[Power supply specifications](#)

## Environmental specifications

| Specifications                           | Value  |
|--|--|
| <b>Temperature range*</b>                | —  |
| Operating                                | 10°C to 35°C (50°F to 95°F)  |
| Nonoperating                             | -30°C to 60°C (-22°F to 140°F)   |
| <b>Relative humidity (noncondensing)</b> | —  |
| Operating                                | 8% to 90%<br>28°C (82.4°F) maximum wet bulb temperature, noncondensing   |
| Nonoperating                             | 5% to 95%<br>38.7°C (101.7°F) maximum wet bulb temperature, noncondensing  |
| <b>Altitude</b>                          | —  |
| Operating                                | 3050 m (10,000 ft)<br>This value may be limited by the type and number of options installed. Maximum allowable altitude change rate is 457 m/min (1,500 ft/min). |
| Nonoperating                             | 9144 m (30,000 ft)<br>Maximum allowable altitude change rate is 457 m/min (1,500 ft/min).  |

### Standard operating support

10° to 35°C (50° to 95°F) at sea level with an altitude derating of 1.0°C per every 305 m (1.8°F per every 1,000 ft) above sea level to a maximum of 3,050 m (10,000 ft), no direct sustained sunlight. Maximum rate of change is 20°C/hr (36°F/hr). The upper limit and rate of change may be limited by the type and number of options installed.

System performance during standard operating support might be reduced if operating above 30°C (86°F).

### Extended ambient operating support

For approved hardware configurations, the supported system inlet range is extended to be:

- 5° to 10°C (41° to 50°F) and 35° to 40°C (95° to 104°F) at sea level with an altitude derating of 1.0°C per every 175 m (1.8°F per every 574 ft) above 900 m (2,953 ft) to a maximum of 3050 m (10,000 ft).
- 40°C to 45°C (104°F to 113°F) at sea level with an altitude derating of 1.0°C per every 125 m (1.8°F per every 410 ft) above 900 m (2953 ft) to a maximum of 3,050 m (10,000 ft).

The approved hardware configurations for this system are listed in the Extended Ambient Temperature Guidelines for Gen11 HPE ProLiant servers:

<https://www.hpe.com/support/ASHRAEGen11>

## Mechanical specifications



| Specification    | Value               |
|------------------|---------------------|
| <b>SFF</b>       | —                   |
| Height           | 4.28 cm (1.69 in)   |
| Depth            | 60.52 cm (23.83 in) |
| Width            | 43.46 cm (17.11 in) |
| Weight, minimum  | 12.00 kg (26.45 lb) |
| Weight, maximum  | 16.7 kg (36.81 lb)  |
| <b>4 LFF</b>     | —                   |
| Height           | 4.28 cm (1.69 in)   |
| Depth            | 66.47 cm (26.17 in) |
| Width            | 43.46 cm (17.11 in) |
| Weight, minimum  | 13.20 kg (29.10 lb) |
| Weight, maximum  | 17.70 kg (39.02 lb) |
| <b>12 LFF</b>    | —                   |
| Height           | 4.28 cm (1.69 in)   |
| Depth            | 99.51 cm (39.18 in) |
| Width            | 43.46 cm (17.11 in) |
| Weight, minimum  | 18.60 kg (41.00 lb) |
| Weight, maximum  | 29.60 kg (65.23 lb) |
| <b>GPU dense</b> | —                   |
| Height           | 4.28 cm (1.69 in)   |
| Depth            | 77.42 cm (30.48 in) |
| Width            | 43.46 cm (17.11 in) |
| Weight, minimum  | 14.70 kg (32.41 lb) |
| Weight, maximum  | 20.90 kg (46.08 lb) |

## Power supply specifications

Depending on the installed options and the regional location where the server was purchased, the server can be configured with one of the following power supplies. For detailed power supply specifications, see the QuickSpecs on the [Hewlett Packard Enterprise website](#).

### Subtopics

[HPE 500 W Flex Slot Platinum Hot-plug Low Halogen Power Supply](#)

[HPE 800 W Flex Slot Platinum Hot-plug Low Halogen Power Supply](#)

[HPE 1000 W Flex Slot Titanium Hot-plug Power Supply](#)

[HPE 1600 W Flex Slot -48 VDC Hot-plug Power Supply](#)

## HPE 500 W Flex Slot Platinum Hot-plug Low Halogen Power Supply



| Specification              | Value  |
|----------------------------|--|
| <b>Input requirements</b>  | —  |
| Rated input voltage        | 100 VAC to 240 VAC<br>240 VDC for China  |
| Rated input frequency      | 50 Hz to 60 Hz<br>Not applicable to 240 VDC  |
| Rated input current        | 5.8 A at 100 VAC<br>2.8 A at 200 VAC<br>2.4 A at 240 VDC for China   |
| Maximum rated input power  | 580 W at 100 VAC<br>560 W at 200 VAC<br>558 W at 240 VDC for China   |
| BTUs per hour              | 1999 at 100 VAC<br>1912 at 200 VAC<br>1904 at 240 VDC for China  |
| <b>Power supply output</b> | —  |
| Rated steady-state power   | 500 W at 100 VAC to 127 VAC input<br>500 W at 100 VAC to 240 VAC input<br>500 W at 240 VDC input for China |
| Maximum peak power         | 500 W at 100 VAC to 127 VAC input<br>500 W at 100 VAC to 240 VAC input<br>500 W at 240 VDC input for China |

## HPE 800 W Flex Slot Platinum Hot-plug Low Halogen Power Supply



| Specification              | Value   |
|----------------------------|---|
| <b>Input requirements</b>  | —   |
| Rated input voltage        | 100 VAC to 127 VAC<br>200 VAC to 240 VAC<br>240 VDC for China only  |
| Rated input frequency      | 50 Hz to 60 Hz<br>Not applicable to 240 VDC   |
| Rated input current        | 9.4 A at 100 VAC<br>4.5 A at 200 VAC<br>3.8 A at 240 VDC for China only   |
| Maximum rated input power  | 940 W at 100 VAC<br>900 W at 200 VAC<br>897 W at 240 VDC for China only   |
| BTUs per hour              | 3067 at 100 VAC<br>2958 at 200 VAC<br>2949 at 240 VAC for China only  |
| <b>Power supply output</b> | —   |
| Rated steady-state power   | 800 W at 100 VAC to 127 VAC input<br>800 W at 100 VAC to 240 VAC input<br>800 W at 240 VDC input for China only |
| Maximum peak power         | 800 W at 100 VAC to 127 VAC input<br>800 W at 100 VAC to 240 VAC input<br>800 W at 240 VDC input for China only |

## HPE 1000 W Flex Slot Titanium Hot-plug Power Supply



| Specification              | Value  |
|----------------------------|--|
| <b>Input requirements</b>  | —  |
| Rated input voltage        | 100 VAC to 127 VAC<br>200 VAC to 240 VAC<br>240 VDC for China      |
| Rated input frequency      | 50 Hz to 60 Hz   |
| Rated input current        | 11.3 A at 100 VAC<br>6.1 A at 200 VAC                              |
| Maximum rated input power  | 1130 W at 100 VAC<br>1090 W at 200 VAC                             |
| BTUs per hour              | 3764 at 100 VAC<br>3629 at 200 VAC                                 |
| <b>Power supply output</b> | —  |
| Rated steady-state power   | 1000 W at 100 VAC to 127 VAC<br>1000 W at 200 VAC to 240 VAC input |
| Maximum peak power         | 1000 W at 100 VAC to 127 VAC<br>1000 W at 200 VAC to 240 VAC       |

## HPE 1600 W Flex Slot -48 VDC Hot-plug Power Supply

| Specification                      | Value  |
|------------------------------------|--|
| <b>Input requirements</b>          | —  |
| Rated input voltage                | -40 VDC to -72 VDC   |
| Rated input frequency              | DC   |
| Nominal input current              | 45 A DC at -40 VDC input<br>36.6 A DC at -48 VDC input<br>24.4 A DC at -72 VDC input |
| Maximum Rated Input Wattage Rating | 1798 W at -40 VDC input<br>1758 W at -48 VDC input<br>1755 W at -72 VDC input        |
| BTUs per hour                      | 6026 at -40 VDC input<br>6000 at -48 VDC input<br>5989 at -72 VDC input              |
| <b>Power supply output</b>         | —  |
| Rated steady-state power           | 1600 W at -40 VDC to -72 VDC   |
| Maximum peak power                 | 1600 W at -40 VDC to -72 VDC   |



# Websites

## General websites

Single Point of Connectivity Knowledge (SPOCK) Storage compatibility matrix

<https://www.hpe.com/storage/spock>

Product white papers and analyst reports

<https://www.hpe.com/us/en/resource-library>

For additional websites, see [Support and other resources](#).

## Product websites

HPE ProLiant DL320 Gen11 Server user documents

<https://www.hpe.com/info/dl320gen11-docs>

# Support and other resources

## Subtopics

[Accessing Hewlett Packard Enterprise Support](#)

[HPE product registration](#)

[Accessing updates](#)

[Customer self repair](#)

[Remote support](#)

[Documentation feedback](#)

# Accessing Hewlett Packard Enterprise Support

- For live assistance, go to the Contact Hewlett Packard Enterprise Worldwide website:

<https://www.hpe.com/info/assistance>

- To access documentation and support services, go to the Hewlett Packard Enterprise Support Center website:

<https://www.hpe.com/support/hpesc>

## Information to collect

- Technical support registration number (if applicable)
- Product name, model or version, and serial number
- Operating system name and version
- Firmware version
- Error messages
- Product-specific reports and logs
- Add-on products or components
- Third-party products or components



## HPE product registration

To gain the full benefits of the Hewlett Packard Enterprise Support Center and your purchased support services, add your contracts and products to your account on the HPESC.

- When you add your contracts and products, you receive enhanced personalization, workspace alerts, insights through the dashboards, and easier management of your environment.
- You will also receive recommendations and tailored product knowledge to self-solve any issues, as well as streamlined case creation for faster time to resolution when you must create a case.

To learn how to add your contracts and products, see <https://www.hpe.com/info/add-products-contracts>.

## Accessing updates

- Some software products provide a mechanism for accessing software updates through the product interface. Review your product documentation to identify the recommended software update method.
- To download product updates:  
Hewlett Packard Enterprise Support Center  
<https://www.hpe.com/support/hpesc>  
My HPE Software Center  
<https://www.hpe.com/software/hpesoftwarecenter>
- To subscribe to eNewsletters and alerts:  
<https://www.hpe.com/support/e-updates>
- To view and update your entitlements, and to link your contracts and warranties with your profile, go to the Hewlett Packard Enterprise Support Center More Information on Access to Support Materials page:  
<https://www.hpe.com/support/AccessToSupportMaterials>



### IMPORTANT:

Access to some updates might require product entitlement when accessed through the Hewlett Packard Enterprise Support Center. You must have an HPE Account set up with relevant entitlements.

## Customer self repair

Hewlett Packard Enterprise customer self repair (CSR) programs allow you to repair your product. If a CSR part needs to be replaced, it will be shipped directly to you so that you can install it at your convenience. Some parts do not qualify for CSR.

For more information about CSR, contact your local service provider.

## Remote support

Remote support is available with supported devices as part of your warranty or contractual support agreement. It provides intelligent event

diagnosis, and automatic, secure submission of hardware event notifications to Hewlett Packard Enterprise, which initiates a fast and accurate resolution based on the service level of your product. Hewlett Packard Enterprise strongly recommends that you register your device for remote support.

If your product includes additional remote support details, use search to locate that information.

HPE Get Connected

<https://www.hpe.com/services/getconnected>

HPE Tech Care Service

<https://www.hpe.com/services/techcare>

HPE Complete Care Service

<https://www.hpe.com/services/completecare>

## Documentation feedback

Hewlett Packard Enterprise is committed to providing documentation that meets your needs. To help us improve the documentation, use the Feedback button and icons (at the bottom of an opened document) on the Hewlett Packard Enterprise Support Center portal (<https://www.hpe.com/support/hpesc>) to send any errors, suggestions, or comments. This process captures all document information.

