

# **Lenovo**

# **L24m-4A**

# **User Guide**

**Lenovo**

---

## Product Number

D24238FL1  
67BDUAC6WW  
67BDUCC6WW



**First Edition (06 2024)**  
© Copyright Lenovo 2024  
All rights reserved.

LENOVO products, data, computer software, and services have been developed exclusively at private expense and are sold to governmental entities as commercial items as defined by 48 C.F.R. 2.101 with limited and restricted rights to use, reproduction and disclosure.

LIMITED AND RESTRICTED RIGHTS NOTICE: IF products, data, computer software, or services are delivered pursuant a General Services Administration "GSA" contract, use, reproduction, or disclosure is subject to restrictions set forth in Contract No. GS-35F-05925.

---

# Contents

<b>Product Number</b> .....	<b>i</b>
<b>Contents</b> .....	<b>ii</b>
<b>Safety information</b> .....	<b>iii</b>
<b>Chapter 1 Getting started</b> .....	<b>1-1</b>
Shipping contents .....	1-1
Notice for use .....	1-1
Product overview .....	1-2
Types of adjustments .....	1-2
User controls .....	1-3
Cable lock slot .....	1-3
Setting up your monitor .....	1-4
Connecting and turning on your monitor .....	1-4
Registering your option .....	1-7
<b>Chapter 2 Adjusting and using your monitor</b> .....	<b>2-1</b>
Comfort and accessibility .....	2-1
Arranging your work area .....	2-1
Health Administration .....	2-2
Low Blue Light .....	2-4
Accessibility information .....	2-4
Adjusting your monitor image .....	2-5
Using the direct access controls .....	2-5
Using the On-Screen Display (OSD) controls .....	2-6
Selecting a supported display mode .....	2-10
Understanding power management .....	2-11
Caring for your monitor .....	2-12
Detaching the monitor stand .....	2-12
Wall Mounting (Optional) .....	2-12
<b>Chapter 3 Reference information</b> .....	<b>3-1</b>
Monitor specifications .....	3-1
Troubleshooting .....	3-3
Manually installing the monitor driver .....	3-5
Service information .....	3-6
<b>Appendix A Service and Support</b> .....	<b>A-1</b>
Registering your option .....	A-1
Online technical support .....	A-1
Telephone technical support .....	A-1
<b>Appendix B Notices</b> .....	<b>B-1</b>
Recycling information .....	B-2
Collecting and recycling a disused Lenovo computer or monitor .....	B-2
Disposing of Lenovo computer components .....	B-2
Trademarks .....	B-2
Power cords and power adapters .....	B-2

---

# Safety information

## General Safety guidelines

For tips to help you use your computer safely, go to:

<http://www.lenovo.com/safety>

Before installing this product, read the Safety Information.



### **DANGER**

#### **To avoid shock hazard:**

- Do not remove the covers.
- Do not operate this product unless the stand is attached.
- Do not connect or disconnect this product during an electrical storm.
- The power cord plug must be connected to a properly wired and grounded power outlet.
- Any equipment to which this product will be attached must also be connected to properly wired and grounded power outlets.
- To isolate the monitor from the electrical supply, you must remove the plug from the power outlet. The power outlet should be easily accessible.
- To take special precautions to avoid the introduction of hazards when operating, installing, servicing, transporting or storing equipment, the necessary instructions shall be made available.

To reduce the risk of electric shock, do not perform any servicing other than that contained in the operating instructions unless you are qualified to do so.

#### **Handling:**

- If your monitor weighs more than 18 kg (39.68 lb), it is recommended that it be moved or lifted by two people.

# Chapter 1 Getting started

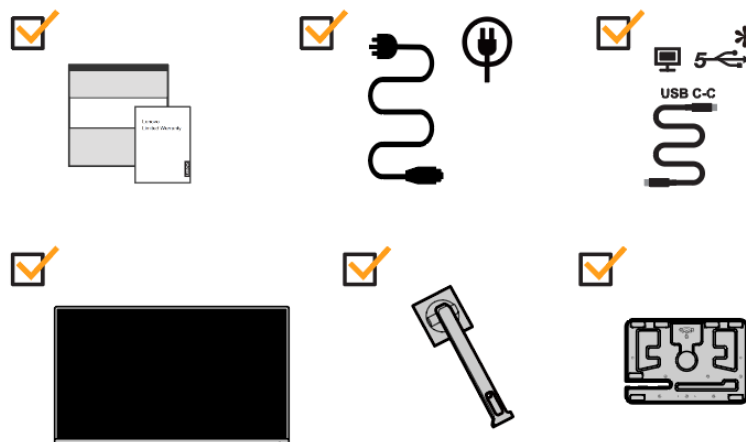
This User's Guide provides detailed operation instructions for the user. For quick instruction overview, please see the Setup Poster for brief information.

L24m-4A supports Lenovo Accessories and Display Manager-**Artery**.

## Shipping contents

The product package should include the following items:

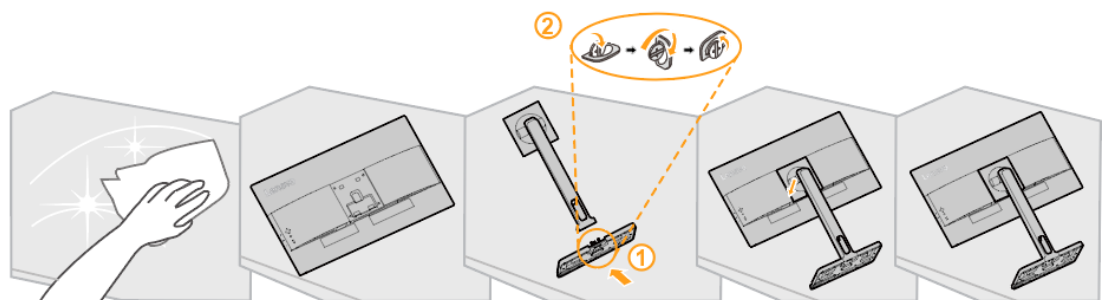
- Information Flyer & Warranty booklet
- LCD Monitor
- Power cord
- USB C-C Cable
- Monitor stand
- Monitor base



## Notice for use

To setup your monitor, please see the illustrations below.

**Note:** Do not touch the monitor within the screen area. The screen area is glass and can be damaged by rough handling or excessive pressure.



1. Place your monitor with the screen face down on a soft flat surface.
2. Insert the base towards the stand until it locks in place.
3. Align the stand assembly bracket to the monitor.

**Note:** To connect VESA mounting accessories, refer to “Wall Mounting (Optional)” on page 2-12.

\*: Depending on many factors such as the processing capability of peripheral devices, file attributes, and other factors related to system configuration and operating environments, the actual transfer rate using the various USB connectors on this device will vary and is typically slower than the data rates as defined by the respective USB specifications: 5 Gbit/s for USB 3.1 Gen 1; 10 Gbit/s for USB 3.1 Gen 2 & 20 Gbit/s for USB 3.2.

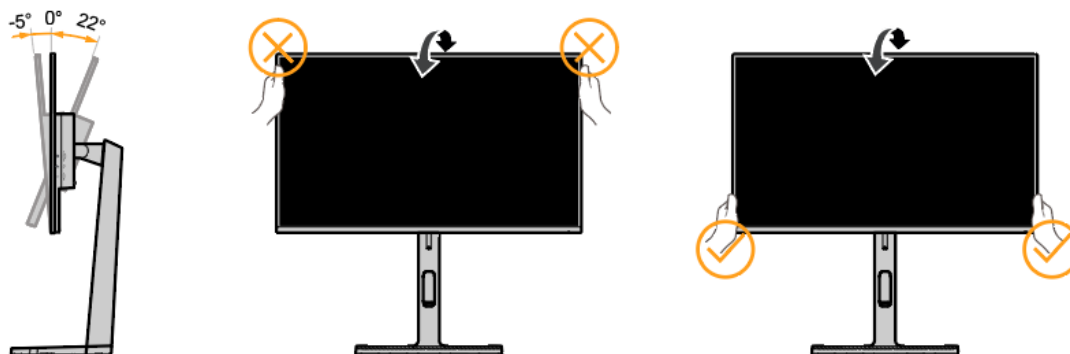
## Product overview

This section will provide information on adjusting monitor positions, setting user controls, and using the cable lock slot.

### Types of adjustments

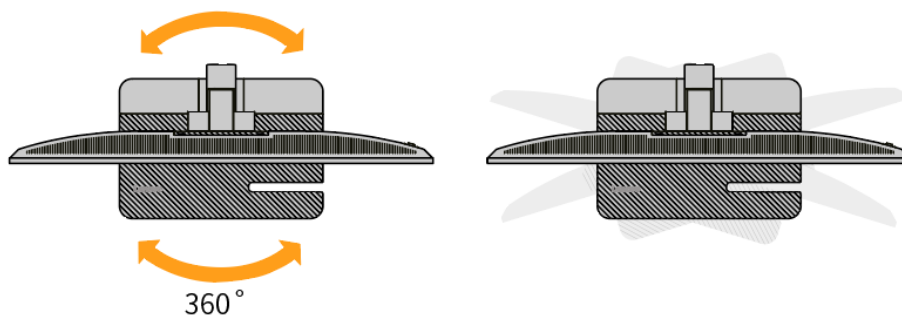
#### Tilt

Please see the illustration below for an example of the tilt range.



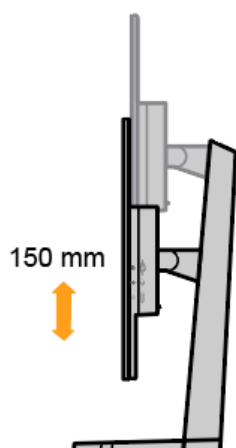
#### Swivel

With the built-in pedestal, you can tilt and swivel the monitor for the most comfortable viewing angle.



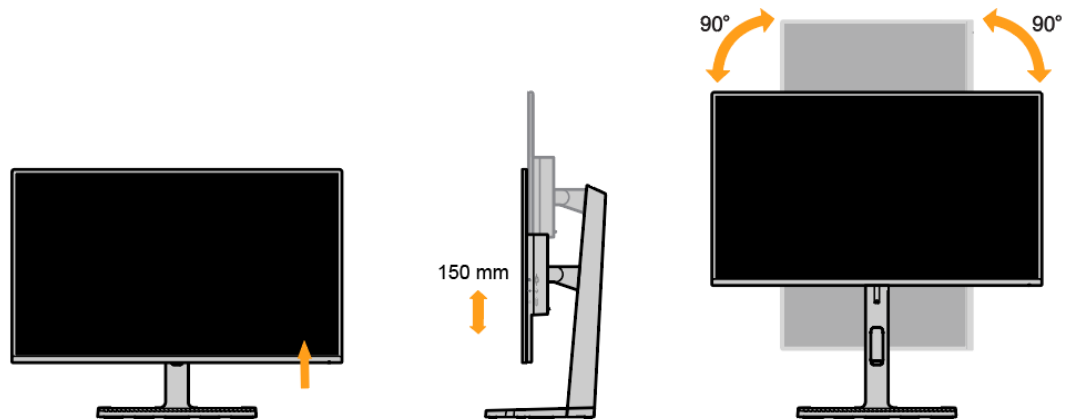
#### Height Adjustment

After pressing the top of the monitor, you can adjust the height of the monitor.



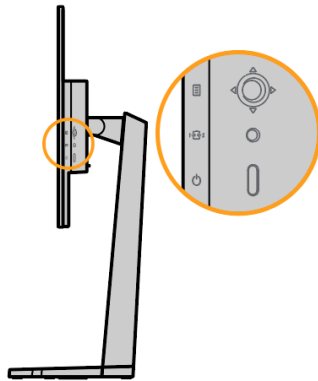
## Monitor Pivot

- Adjust the monitor height before rotating the monitor screen. (Make sure that the monitor screen ascent to its highest point and it inclines backward at 22°)
- Then rotate clockwise or anticlockwise until the monitor stops at 90°.



## User controls

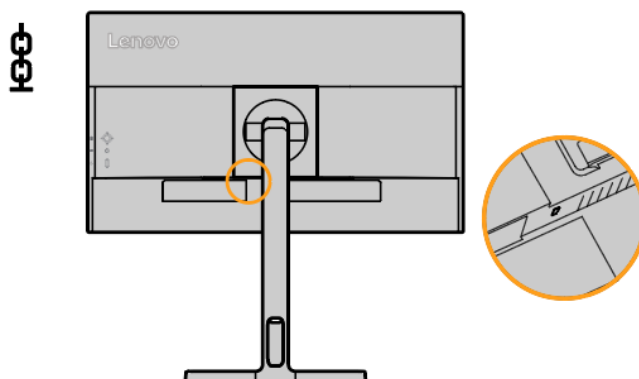
Your monitor has controls at the rear which are used to adjust the display.



For information on how to use these controls, please see "Adjusting your monitor image" on page 2-5.

## Cable lock slot

Your monitor is equipped with a cable lock slot located on the rear of your monitor. Please follow the instructions that came with the cable lock to attach it.



# Setting up your monitor

This section provides information to help you set up your monitor.

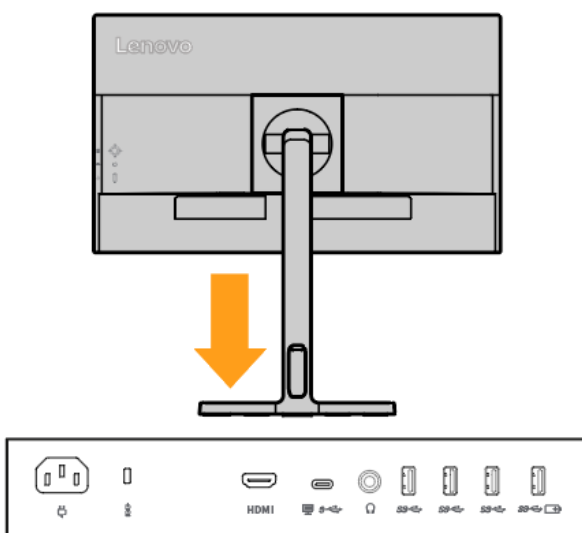
## Connecting and turning on your monitor

**Note:** Be sure to read the “Safety information” on page iii before carrying out this procedure.

1. Power off your computer and all attached devices, and unplug the computer power cord.



2. Connect the cables according to below icon indication.

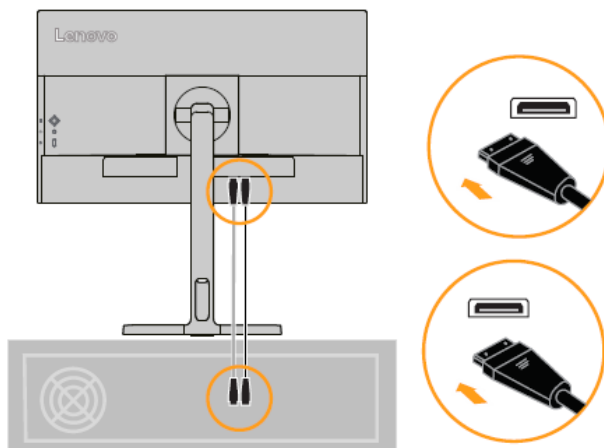


**Note:** The Downstream USB Type C Power Specification output 5Vdc/3A(typical),and the other standard USB Output 5Vdc/900mA. The USB downstream port does not provide power while the monitor is switched off.

3. Connect one end of the HDMI cable to the HDMI connector on the back of the computer, and the other end to the HDMI connector on the monitor. Lenovo recommends that customers who require to use the HDMI input on their monitor purchase the “Lenovo HDMI to HDMI cable 0B47070”.

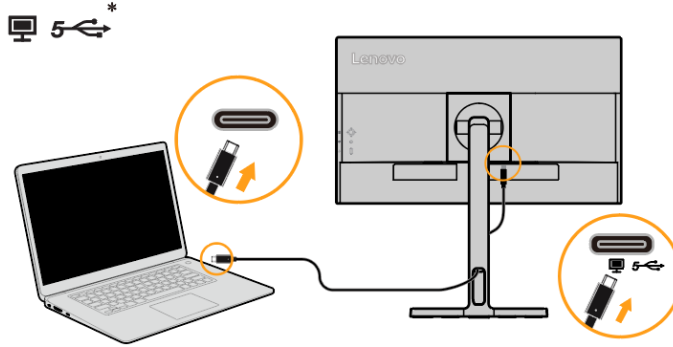
For more information, go to the following:  
[www.lenovo.com/support/monitoraccessories](http://www.lenovo.com/support/monitoraccessories)

## HDMI





- Connect one end of the USB C-C cable to the USB Type-C connector of the computer, and the other end to the USB Type-C connector on the monitor.



**Note 1:** Power output for USB-C: 20V/3.75A (Max, in smart power or super charging), 20V/2.25A (Typical), 15V/3A, 9V/3A, 5V/3A. For smart power, USB-A downstream supports maximum output power 5W.

Smart Power (W)	5V Fixed	9V Fixed	15V Fixed	20V Fixed
Off (45 W)	3A	3A	3A	2.25A
On (75 W)	3A	3A	3A	2.75A/ 3A / 3.25A / 3.5A / 3.75A

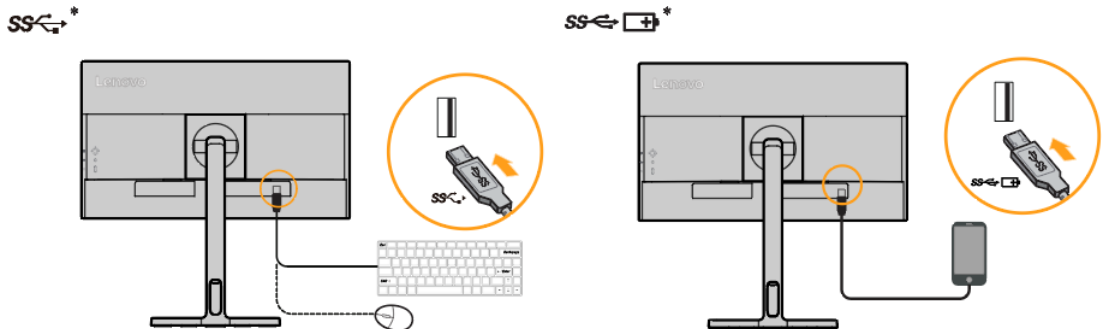
**Note 2:** USB-C upstream port supports maximum output power 45W/75W (Super charging/Smart Power) and the PDO table is as below.

Super USB Charging	USB-C up port supply capability	USB-A port total power consumption	Panel Brightness
Off	45 W	0 W ~ 21 W	No Limit
On	75 W	0 W ~ 5 W	
	45 W	≥ 5 W	

- Connect one end of the USB cable to the USB downstream terminal of the monitor, and connect the other end of the USB cable to an appropriate USB port on your device.

**Note 1:** The USB downstream port does not provide power while the monitor is switched off.

**Note 2:** Power output for USB-A: 5V/0.9A, USB-BC1.2: 5V/1.5A. (To use top port 4 USB)

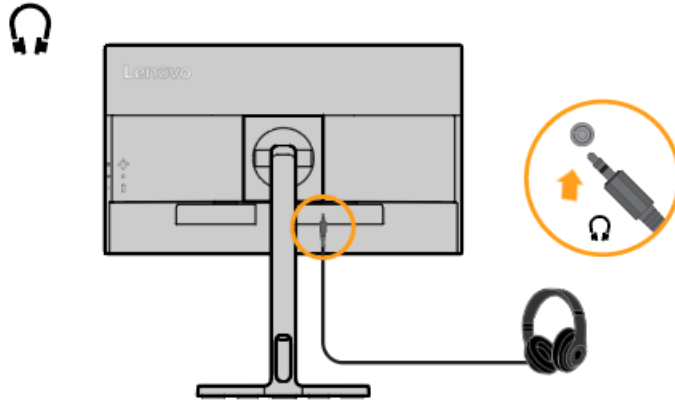


If there are any \* tag, you can consult the comments on page 1-1.

6. Connect the speaker's audio cable and audio jack of monitor to transfer audio source from Type-C, HDMI.

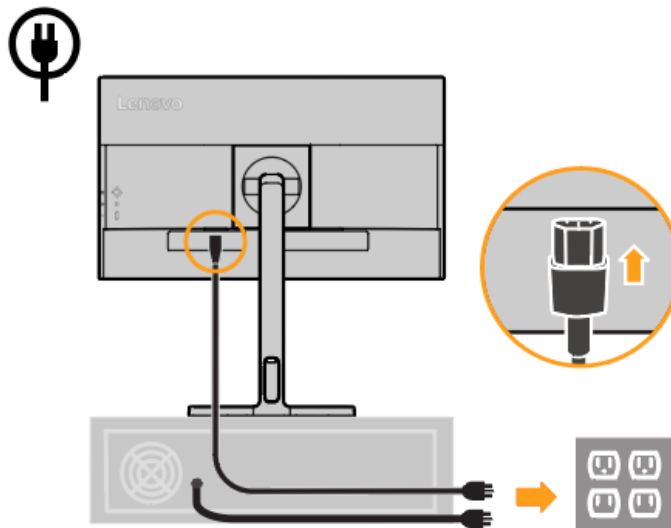
**Note 1:** The audio output in Type-C and HDMI modes.

**Note 2:** Excessive sound pressure from ear-/headphones can cause hearing damage/hearing loss.

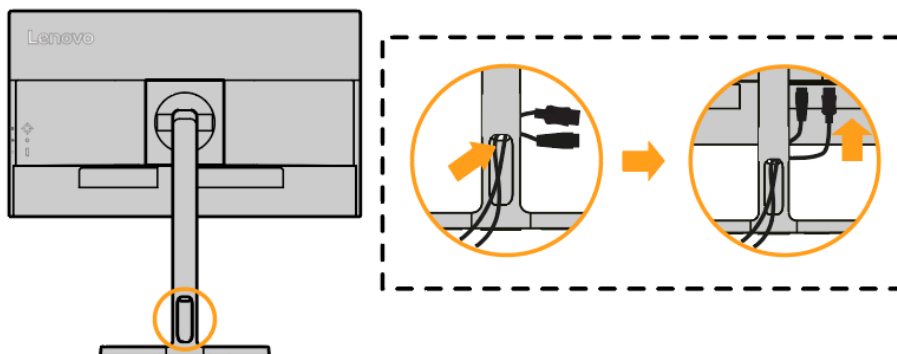


7. Plug the monitor power cord and the computer cord into grounded electrical outlets.

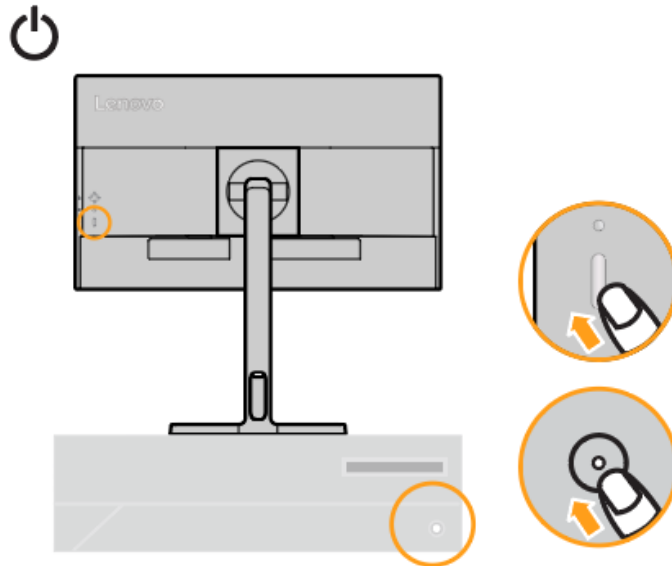
**Note:** A certified power supply cord has to be used with this equipment. The relevant national installation and/or equipment regulations shall be considered. A certified power supply cord not lighter than ordinary polyvinyl chloride flexible cord according to IEC 60227 (designation H05VV-F 3G 0.75mm<sup>2</sup> or H05VVH2-F2 3G 0.75mm<sup>2</sup>) shall be used. Alternative a flexible cord be of synthetic rubber according to IEC 60245 (designation H05RR-F 3G 0.75mm<sup>2</sup>) shall be used.



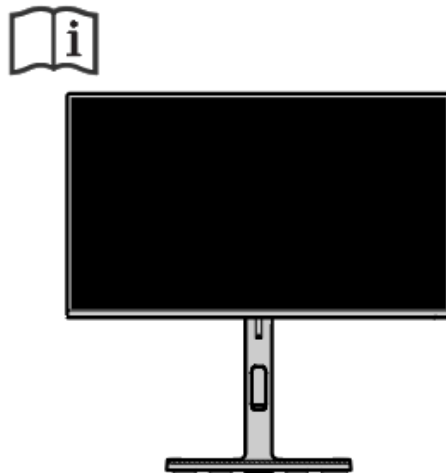
8. After attaching all necessary cables to your monitor and computer, organize all cables as shown below.



9. Power on the monitor and the computer.



10. To install the monitor driver, you must download it from Lenovo website, ([https://pcsupport.lenovo.com/solutions/l24m\\_4a](https://pcsupport.lenovo.com/solutions/l24m_4a)) and follow the instructions on page 3-5.



## Registering your option

Thank you for purchasing this Lenovo™ product. Please take a few moments to register your product and provide us with information that will help Lenovo to better serve you in the future. Your feedback is valuable to us in developing products and services that are important to you, as well as in developing better ways to communicate with you. Register your option on the following Web site:  
<http://www.lenovo.com/register>

Lenovo will send you information and updates on your registered product unless you indicate on the Web site questionnaire that you do not want to receive further information.

---

## Chapter 2 Adjusting and using your monitor

This section will give you information on adjusting and using your monitor.

---

### Comfort and accessibility

Good ergonomic practice is important to get the most from your personal computer and to avoid discomfort. Arrange your workplace and the equipment you use to suit your individual needs and the kind of work that you perform. In addition, use healthy work habits to maximize your performance and comfort while using your computer.

---

### Arranging your work area

Use a work surface of appropriate height and available working area to allow you to work in comfort.

Organize your work area to match the way you use materials and equipment. Keep your work area clean and clear for the materials that you typically use and place the items that you use most frequently, such as the computer mouse or telephone, within the easiest reach. Equipment layout and setup play a large role in your working posture. The following topics describe how to optimize equipment setup to achieve and maintain good working posture.

Positioning and viewing your monitor

Position and adjust your computer monitor for comfortable viewing by considering the following items:

- **Viewing distance:** Optimal viewing distances for monitors range from approximately 510mm to 760mm (20 in to 30 in) and can vary depending on ambient light and time of day. You can achieve different viewing distances by repositioning your monitor or by modifying your posture or chair position. Use a viewing distance that is most comfortable for you.
- **Monitor height:** Position the monitor so your head and neck are in a comfortable and neutral (vertical, or upright) position. If your monitor does not have height adjustments, you might have to place books or other sturdy objects under the base of the monitor to achieve the desired height. A general guideline is to position the monitor such that the top of the screen is at or slightly below your eye-height when you are comfortably seated. However, be sure to optimize your monitor height so the line of site between your eyes and the centre of the monitor suits your preferences for visual distance and comfortable viewing when your eye muscles are in a relaxed state.
- **Tilt:** Adjust the tilt of your monitor to optimize the appearance of the screen content and to accommodate your preferred head and neck posture.
- **General location:** Position your monitor to avoid glare or reflections on the screen from overhead lighting or nearby windows.

The following are some other tips for comfortable viewing of your monitor:

- Use adequate lighting for the type of work you are performing.
- Use the monitor brightness, contrast, and image adjustment controls, if equipped, to optimize the image on your screen to meet your visual preferences.
- Keep your monitor screen clean so you can focus on the screen's contents.

Any concentrated and sustained visual activity can be tiring for your eyes. Be sure to periodically look away from your monitor screen and focus on a far object to allow your eye muscles to relax. If you have questions on eye fatigue or visual discomfort, consult a vision care specialist for advice.

# Health Administration

Prolong exposure to computer screens may cause temporary visual fatigue. Factors including working environment, working habit and posture, screen flicker and blue light contribute to this condition. To minimize visual fatigue certain adjustments can be made on the work stations or using suitable computer screens with features that alleviate eye strain.

## Environment

Visual fatigue is affected by the working environment. Glare reductions and appropriate lighting situations help minimize this condition.

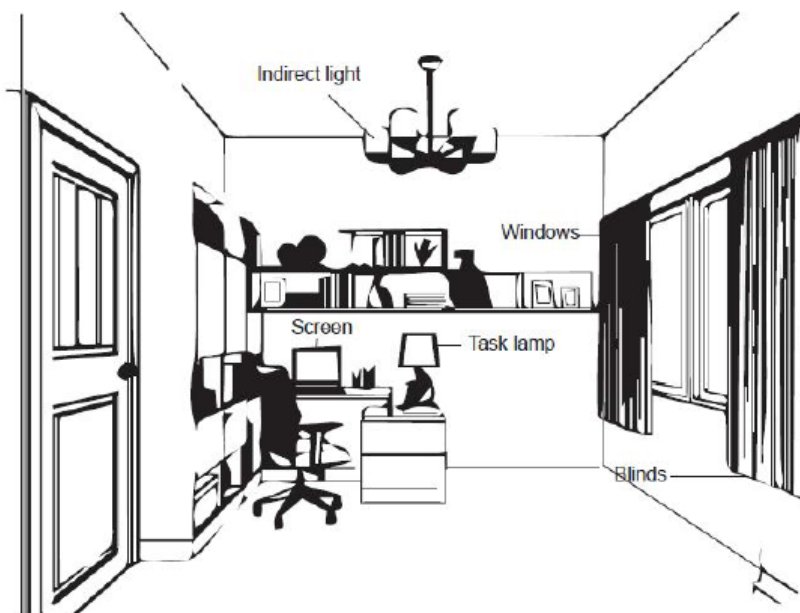
- Glare reduction

Glare can be reduced by

- a) Changing position of any light source that is causing the glare.
- b) Fitting the light sources with appropriate diffusers or lampshade.
- c) Using curtains or blind on windows to minimize glare from direct sunlight.
- d) Adjusting monitor position to be perpendicular to the source of light or windows.
- e) Using an anti-glare screen - Lenovo monitors have anti-glare surface treatment that scatters light for a reflection-free work usage.

- Lighting

Adequate lighting is necessary to avoid glare and eye fatigue. Excessive or insufficient lighting makes the display on screen harder to see. Generally, lighting level should not exceed 750 lux and levels ranging from 300 to 500 lux are most appropriate for computer desk work. Recommended lighting arrangement includes positioning work stations away from direct sunlight or using overhead lighting with baffles or louvers that reduces glare.



## Working Habits

Long exposures to computer screens may cause eye strain. Symptoms include headache, burning eyes, blurred vision and discomfort. To minimize eye strain, computer users can adjust working habits to let their eyes relax and recover.

- Break Times

Computer users should take some time away from the screen especially if working for prolonged hours. Generally, it is recommended to take short breaks (5 – 15 mins) after 1 – 2 hours of continuous computer works. Taking short and frequent breaks is more advised than longer breaks.

- Looking at Distant Objects

Users often blink less when in front of monitor screen. To minimize eye strain and dryness, users should rest the eye periodically by focusing on objects that are far away.

- Eye and Neck Exercises

Certain exercise reduces eye strain and prevent early onset of musculo-skeletal disorders. It is recommended to repeat these exercises often. However, should symptoms persists it is recommended to consult a physician.

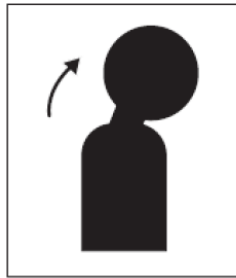
Exercises for the eye:

1. Alternate looking up and looking down while keeping the body and head upright.
2. Slowly roll your eyes to look to the left and right.
3. Roll eyes to look at objects on the upper right corner and then on lower right. Do same thing to look at objects on the upper left and lower left.

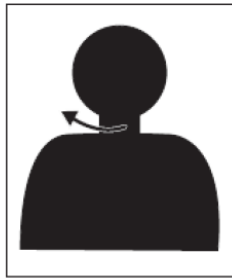
Exercises for the neck:

1. Relax arm at the side. Bend head forward to slightly stretch the neck. Hold for 5 seconds.
2. Relax arm at the side. Turn head to the right. Hold for 5 seconds. Then turn head to the left.
3. Relax arm at the side. Swing head to the left. Hold for 5 seconds. Then swing head to the right.

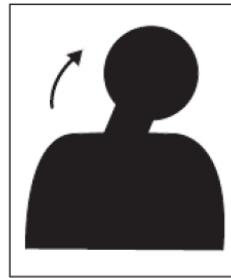
1



2



3



## Working Posture

Appropriate working position helps minimize eye discomfort. Seating position and ideal placement of monitor are essential for a comfortable working experience.

- **Seating Position**

Placing the monitor too far or too close may lead to eye strain. Far viewing distance causes users to lean forward to see small texts, which strain the eyes and torso. Close viewing distance, on the other hand, strains the eye resulting from exerting more effort to focus and also causes the user to sit in awkward body posture (i.e. tilting the head, typing with outstretched arms, etc.)

Recommended viewing distance between the eye and the monitor screen is 1.5 x the diagonal of the screen. Solutions in meeting this required distance in cramped office situations include pulling desk away from wall or divider to make room for monitor, using flat panel or compact displays placing the monitor in the desk corner, or placing the keyboard in an adjustable drawer to create a deeper working surface.

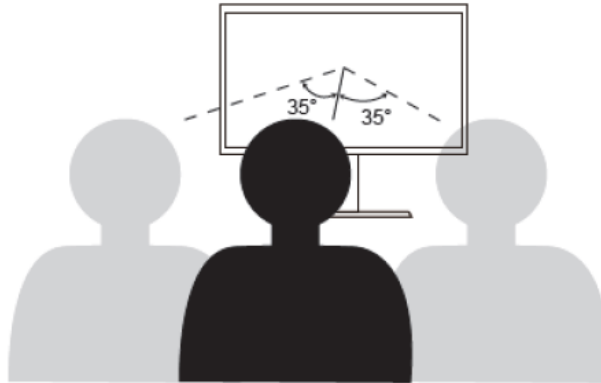
1.5 times of screen diagonal



Lenovo monitors are design to maximize work space (e.g. having thin profiles, compatible for ThinkCentre Tiny back mount, practical cable management, etc).

- **Viewing Angle**

Neck fatigue and pain may result from prolong turning of the head to see objects on the monitor screen. To minimize this, position the monitor directly in front so the head, neck and torso face forward to the screen. It is recommended that monitor should not be more than 35 degrees to the right or left of the head.



Monitors should also not be placed too high or too low as this contributes to awkward posture which results to muscle fatigue.

## **Reduce Flicker**

Monitor flickers refer to repeated changes in monitor light intensity. It is caused by several factors including but not limited to voltage fluctuations. Reducing flicker minimizes eye strain and headaches. Lenovo monitors allow users to use high frequency display modes that can effectively reduce flicker.

## **Low Blue Light**

Concerns on blue light affecting eye health have risen over the years. Blue light have wavelength between 300 nm to 500 nm. The monitors under default setting mode reduce blue light emissions. The monitors achieve the requirement of Low blue Light (Hardware Solution).

---

## **Accessibility information**

Lenovo is committed to providing greater access to information and technology to people with disabilities. With assistive technologies, users can access information in the way most appropriate to their disability. Some of these technologies are already provided in your operating system; others can be purchased through vendors or accessed at:

[https://lenovo.ssbartgroup.com/lenovo/request\\_vpat.php](https://lenovo.ssbartgroup.com/lenovo/request_vpat.php)















# Adjusting your monitor image

This section describes the user control features used to adjust your monitor image.

## Using the direct access controls

Direct access controls can be used when the On-Screen Display (OSD) is not displayed.

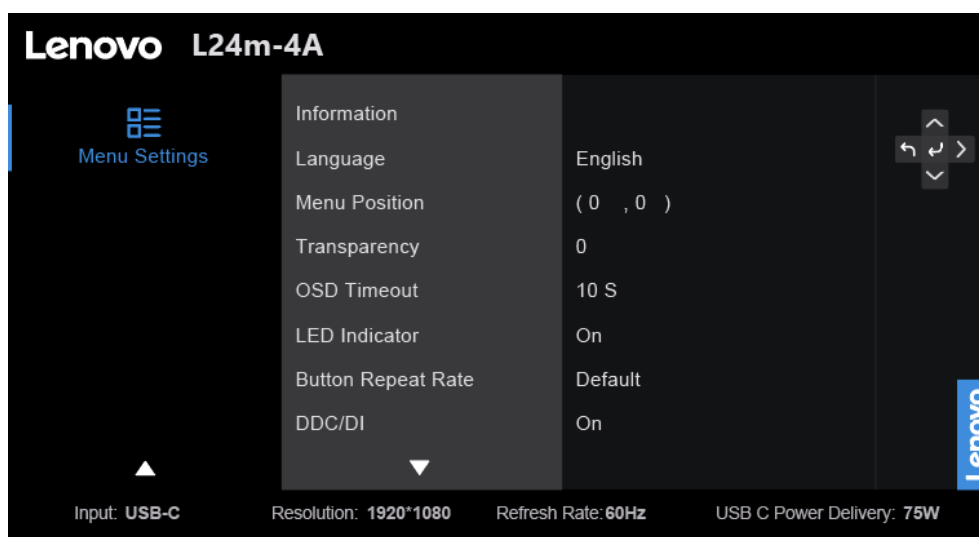
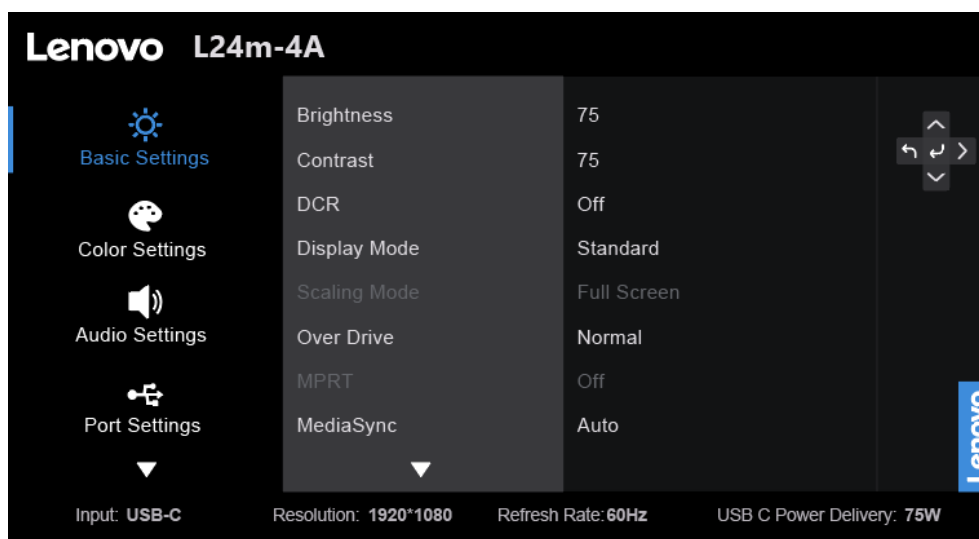
Table 2-1. Direct access controls

	Icon	Name	Description
 	 	Enter key	<ul style="list-style-type: none"> <li>Press to open main menu while there is no any OSD on the screen.</li> <li>Press and hold for 10 seconds to Lock/Unlock the OSD.</li> <li>Press to enter next level on main menu or sub menu.</li> </ul>
	 	Right key	<ul style="list-style-type: none"> <li>Press to enter next level on main menu or sub menu.</li> <li>Press to Increase current value on adjustment bar.</li> <li>It is a shortcut key for directly adjust Color Settings while there is no any OSD on the screen.</li> </ul>
	 	Left Key	<ul style="list-style-type: none"> <li>Press to exit next level on main menu or sub menu.</li> <li>Press to decrease current value on adjustment bar.</li> <li>It is a shortcut key for directly opening volume adjustment bar while there is no any OSD on the screen.</li> </ul>
	 	Down Key	<ul style="list-style-type: none"> <li>Press to move to next item on menu.</li> <li>It is a shortcut key for directly opening contrast adjustment bar while there is no any OSD on the screen.</li> </ul>
	 	Up Key	<ul style="list-style-type: none"> <li>Press to move to last item on menu.</li> <li>It is a shortcut key for directly opening brightness adjustment bar while there is no any OSD on the screen.</li> </ul>
			Input Source
		DDC/CI	Press and hold for 10 seconds to Enable/Disable the "DDC/CI" while there is no any OSD on the screen.
		Power button	Turns the monitor on/off. White indicates power on. Orange indicates standby mode.














## Using the On-Screen Display (OSD) controls

To adjust the settings, the user controls can be viewed through the OSD.



To use the controls:

1. Press  to open the main OSD menu.
2. Use  or  to move among the icons. Select an icon and press  to access the selected function. If there is a sub-menu, you can move between options using  or , then press  to select that function. Use  or  to make adjustments then press  to save.
3. Press  to move backwards through the sub-menus and exit from the OSD.

4. The ENERGY STAR option resets all user settings to default values so that the monitor can meet the requirements of Energy Star.







Energy Star is an energy saving program for consumer electronics led by the U.S. government. It was launched in 1992 by EPA and DOE to reduce energy consumption and greenhouse gas emissions. Energy Star logo is a symbol of energy conservation and environmental protection. It improves the concept of energy efficiency of consumers and manufacturers, and effectively guides the market.

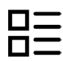
The regulation of Energy Star improves energy efficiency and reduces air pollution by using more energy-efficient equipment in homes, offices and factories. One way to achieve this goal is to use management to reduce energy consumption when products are not in use.

The default settings for monitors conform to Energy Star certification. Any changes by users for more features and functionalities may increase power consumption, which will exceed the limitation of Energy Star's standard. If the user changes the options related to energy efficiency when using, such as brightness, color mode, etc., select All Reset Factory or choose the Energy Star option, the power consumption will be restored to the energy efficiency with Energy Star standard.

For more information, please refer to ([www.energystar.gov/products](http://www.energystar.gov/products)). All products of Energy Star will be posted online and can be accessed directly by governments, public institutions and consumers.

Table 2-2. OSD functions

OSD Icon on Main Menu	Submenu	Description	Controls and Adjustments
 Basic Settings	Brightness	Adjusts overall screen brightness.	All input ports
	Contrast	Adjusts difference between light and dark areas.	
	DCR	Enable dynamic contrast ratio. <ul style="list-style-type: none"> <li>• On</li> <li>• Off</li> </ul>	
	Display Mode	<ul style="list-style-type: none"> <li>• Standard</li> <li>• Game</li> <li>• Movie</li> <li>• Web</li> <li>• Picture</li> </ul>	
	Scaling Mode	Selects type of scaled image. <ul style="list-style-type: none"> <li>• Full Screen: expand image to full screen.</li> <li>• Original AR: same aspect ratio with input signal</li> </ul>	
	Over Drive	Response time enhancement. <ul style="list-style-type: none"> <li>• Off</li> <li>• Normal</li> <li>• Extreme</li> </ul>	
	MPRT	<ul style="list-style-type: none"> <li>• On</li> <li>• Off</li> </ul>	
	MediaSync	<ul style="list-style-type: none"> <li>• Auto</li> <li>• Off</li> </ul>	
	Video Range	<ul style="list-style-type: none"> <li>• Auto</li> <li>• Full Range 0-255</li> <li>• Limited Range 16-235</li> </ul> <b>Note:</b> Refers to RGB range of HDMI input	Only HDMI input port
 Color Settings	sRGB	-	All input ports
	Neutral	-	
	Warm	-	
	Cool	-	
	Custom	<ul style="list-style-type: none"> <li>• Red</li> <li>• Green</li> <li>• Blue</li> </ul>	
 Audio Settings	Volume	Adjust the volume level.	All input ports
	Mute	<ul style="list-style-type: none"> <li>• On</li> <li>• Off</li> </ul>	
 Port Settings	Input Signal	<ul style="list-style-type: none"> <li>• Auto Switch Input</li> </ul> The input will automatically switch to the next available input when: There is no input signal present. The time out period has expired. <ul style="list-style-type: none"> <li>• USB-C</li> <li>• HDMI</li> </ul>	All input ports

OSD Icon on Main Menu	Submenu	Description	Controls and Adjustments
	USB Charging	<ul style="list-style-type: none"> <li>• On</li> <li>• Off</li> <li>• Upstream USB-C charging always on</li> </ul>	Only Type-C input port
	Super USB-C Charging	<ul style="list-style-type: none"> <li>• On</li> <li>• Off</li> </ul>	
	Smart Power	<ul style="list-style-type: none"> <li>• On</li> <li>• Off</li> </ul>	
	Mirrored Power Button	<ul style="list-style-type: none"> <li>• On</li> <li>• Off</li> </ul>	
 Menu Settings	Information	Shows Model Name, Refresh Rate, Firmware, Serial Number. <b>Note:</b> This screen offers information only, and (does) not allow for setting changes.	All input ports
	Language	Changes languages of menu. <b>Note:</b> The selected language only affects the language of the OSD. It has no effect on any software running on the computer.	
	Menu Position	Adjusts menu location.	
	Transparency	To adjust the transparency of the OSD screen image.	
	OSD Timeout	To automatically turn off OSD after a preset period of time.	
	LED Indicator	<ul style="list-style-type: none"> <li>• On</li> <li>• Off</li> </ul>	
	Button Repeat Rate	<ul style="list-style-type: none"> <li>• Default</li> <li>• Slow</li> <li>• Off</li> </ul>	
	DDC/CI	<ul style="list-style-type: none"> <li>• On</li> <li>• Off</li> </ul>	
Factory Reset	Reset monitor to the original settings. <ul style="list-style-type: none"> <li>• Reset</li> <li>• No</li> </ul> The ENERGY STAR Logo means resets all user settings to default values so that the monitor can meet the requirements of Energy Star.		
*The use of Extreme (Over Drive) may result in reduced display quality when fast moving video graphics are displayed. Users should check Extreme (Over Drive) to verify if it is compatible with any applications they would like to use it with.			

---

## Selecting a supported display mode

The display mode the monitor uses is controlled by the computer. Therefore, refer to your computer documentation for details on how to change display modes.

The image size, position and shape might change when the display mode changes. This is normal.

Unlike CRT monitors, which require a high refresh rate to minimize flicker, LCD or Flat Panel technology is inherently flicker-free.

**Note:** If your system has previously been used with a CRT monitor and is currently configured to a display mode outside the range of this monitor, you may need to re-attach the CRT monitor temporarily until you have re-configured the system; preferably to 1920x1080@60Hz, which is the Native Resolution Display mode. The display modes shown below have been optimized at the factory.

*Table 2-3. Factory set display modes*

<b>Address ability</b>	<b>Refresh rate</b>
640x480	60 Hz, 75 Hz
720x400	70 Hz
800x600	60 Hz, 75 Hz
832x624	75 Hz
1024x768	60 Hz, 75 Hz
1152x864	75 Hz
1280x720	60 Hz
1280x800	60 Hz
1280x960	60 Hz
1280x1024	60 Hz, 75 Hz
1366x768	60 Hz
1440x900	60 Hz
1600x900	60 Hz
1680x1050	60 Hz
1920x1080	50 Hz, 60 Hz, 75 Hz, 100 Hz
480p	60 Hz
576p	50 Hz
720p	50 Hz, 60 Hz
1080p	50 Hz, 60 Hz

# Understanding power management

Power management is invoked when the computer recognizes that you have not using your mouse or keyboard for a user-definable period. There are several states as described in the table below. For optimal performance, switch off your monitor at the end of each working day, or whenever you expect to leave it unused for long periods during the day.

Table2-4. Power indicator

State	Power Indicator	Screen	Restoring Operation	Compliance
On	Steady White	Normal		/
Standby/ Suspend	Steady amber	Blank	Press a key or move the mouse. There may be a slight delay reappears. <b>Note:</b> Standby also occurs if there is no image output to the monitor.	ENERGY STAR
Off	Off	Blank	Press power key to switch on There may be a slight delay before the image reappears.	ENERGY STAR

Energy Star	Power consumption
P <sub>on</sub>	14.78 W
E <sub>TEC</sub>	47.83 kWh/yr

\* Maximum power consumption with max luminance.

This document is informational only and reflects laboratory performance. Your product may perform differently, depending on the software, components and peripherals you ordered and shall have no obligation to update such information. Accordingly, the customer should not rely upon this information in making decisions about electrical tolerances or otherwise. No warranty as to accuracy or completeness is expressed or implied.

---

## Caring for your monitor

Be sure to turn off the power before you perform any maintenance on the monitor.

**Do not:**

- Apply water or liquid directly to your monitor.
- Use solvents or abrasives.
- Use flammable cleaning materials to clean your monitor or any other electrical equipment.
- Touch the screen area of your monitor with sharp or abrasive items. This type of contact may cause permanent damage to your screen.
- Use any cleaner which contains an anti-static solution or similar additives. This may harm the coating of the screen area.

**Do:**

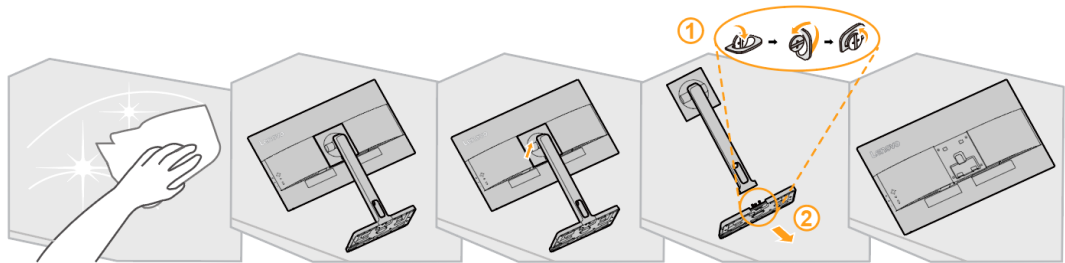
- Lightly dampen a soft cloth with water and use this to gently wipe the covers and the screen.
- Remove grease or finger marks with a damp cloth and a little mild detergent.

---

## Detaching the monitor stand

Step 1: Place the monitor on a soft and flat surface.

Step 2: Remove the screws from base before detaching base and stand from the monitor.



---

## Wall Mounting (Optional)

Refer to the instructions that come with the base mounting kit. To convert your LCD display from a desk-mounted to a wall-mounted display, do the following:

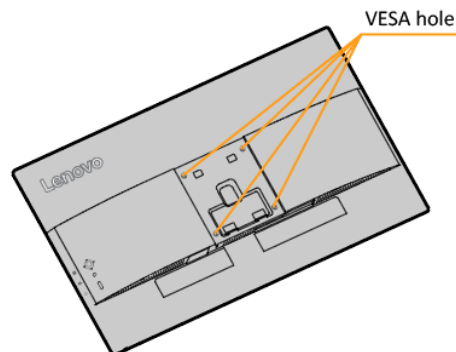
Step 1: Verify that the Power button is turned off, and then disconnect the power cord.

Step 2: Lay the LCD display face down on a towel or blanket.

Step 3: Remove the base from the monitor, refer to "Detaching the monitor base and stand".

Step 4: Attach the mounting bracket from the VESA compatible wall mounting kit (100mm x100mm distance), VESA Mounting Screw M4 x 10 mm.

Step 5: Attach the LCD display to the wall, following the instructions in the wall-mounting kit. For use only with UL&GS Listed Wall Mount Bracket with minimum weight/load: 8 kg



**Note:**

When you use a flexible arm, do not tilt the monitor downward by more than 5 degrees.

## Chapter 3 Reference information

This section contains monitor specifications, instructions to manually install the monitor driver, troubleshooting information, and service information.

### Monitor specifications

Table 3-1. Monitor specifications

Dimensions	Height	530.55 mm (20.88 in.)
	Depth	196.23 mm (7.72 in.)
	Width	539.44 mm (21.23 in.)
Weight	Unpacked	5.12 kg
Stand	Tilt range	Range: -5°/+22°
	Swivel	Range: 360°
	Lift	Range: 150 mm
	Pivot	Yes (clockwise 90° & anticlockwise 90°)
VESA mount	Supported (GS & UL Approved)	100 mm (3.94 in.)
Image	Viewable image size	604.7 mm (23.8 in.)
	Maximum height	296.5 mm (11.67 in.)
	Maximum width	527.0 mm (20.75 in.)
	Pixel pitch	0.275 mm (0.0108 in.) (V)
	Response time	Off: 14 ms Normal: 6 ms Extreme: 4 ms
Power input	Supply voltage	100-240 Vac, 50/60 Hz
	Current	2.0 A
USB Type C PD Function	Supply voltage/current	5V or 9V or 15V DC 3A or 20V DC 2.25A (Typical) or 20V DC 3.75A (Max) in smart power or super charging
Power consumption <b>Note:</b> Power consumption figures are for the monitor and the power delivery together.	Max Consumption	130 W
	Typical Consumption	14 W
	Standby/Suspend	<0.5 W
	Off	<0.3 W
Video input (HDMI)	Input signal	HDMI
	Horizontal addressability	1920 pixels (max)
	Vertical addressability	1080 lines (max)
	Clock frequency	236 MHz
Video input (Type-C)	Input signal	Type-C
	Horizontal addressability	1920 pixels (max)
	Vertical addressability	1080 lines (max)
	Clock frequency	236 MHz



Speaker	Rated power	2 x 3 W
	Impedance	4 Ohm
Aspect Ratio	Size ratio	16:9
Communications	VESA	DDC/CI
Altitude Test	Operation	5000 m (16404 ft.)
Supported Display Modes (VESA Standard modes between noted ranges)	Horizontal frequency	30 kHz – 113.3 kHz
	Vertical frequency	48 Hz – 100 Hz
	Native Resolution	1920 x 1080 at 60 Hz
Temperature	Operating	0° to 40°C (32°F to 104° F)
	Storage	-20° to 60°C (-4°F to 140° F)
	Shipping	-20° to 60°C (-4° F to 140° F)
Humidity	Operating	8% to 80%
	Storage	5% to 95%
	Shipping	5% to 95%

# Troubleshooting

If you have a problem setting up or using your monitor, you might be able to solve it yourself. Before calling your dealer or Lenovo, try the suggested actions that are appropriate to your problem.

Table3-2. Troubleshooting

Problem	Possible cause	Suggested action	Reference
The words "Input Not Supported" are shown on the screen, and the power indicator is flashing white.	The system is set to a display mode which is not supported by the monitor.	<ul style="list-style-type: none"> <li>• If you are replacing an old monitor, reconnect it and adjust the display mode to within the specified range for your new monitor.</li> <li>• If using a Windows system, restart the system in safe mode, then select a supported display mode for your computer.</li> <li>• If these options do not work, contact the Customer Support Centre.</li> </ul>	"Selecting a supported display mode" on page 2-10
The image quality is unacceptable.	The video signal cable is not connected with the monitor or system completely.	Be sure the signal cable is firmly plugged into the system and monitor.	"Connecting and turning on your monitor" on page 1-4
	The color settings may be incorrect.	Select another colour setting from the OSD menu.	"Adjusting your monitor image" on page 2-5
The power indicator is not lit and there is no image.	<ul style="list-style-type: none"> <li>• The monitor's power switch is not switched on.</li> <li>• The power cord is loose or disconnected.</li> <li>• There is no power at the outlet.</li> </ul>	<ul style="list-style-type: none"> <li>• Be sure the power cord is connected properly.</li> <li>• Be sure the outlet has power.</li> <li>• Power on the monitor.</li> <li>• Try using another power cord.</li> <li>• Try using another electrical outlet.</li> </ul>	"Connecting and turning on your monitor" on page 1-4

Table3-2. Troubleshooting (continued)

Problem	Possible cause	Suggested action	Reference
Screen is blank and power indicator is steady amber or flashing white	The monitor is in Standby/Suspend mode	<ul style="list-style-type: none"> <li>● Press any key on the keyboard or move the mouse to restore operation.</li> <li>● Check the Power options settings on your computer.</li> </ul>	“Understanding power management” on page 2-11
The power indicator is white, but there is no image.	The video signal cable is loose or disconnected from the system or monitor.	Be sure the video cable is connected with the system properly.	“Connecting and turning on your monitor” on page 1-4
	The monitor brightness and contrast are at the lowest setting.	Adjust the brightness and contrast setting on the OSD menu.	“Adjusting your monitor image” on page 2-5
One or more of the pixels appear discoloured	This is a characteristic of the LCD technology and is not an LCD defect.	If there are more than five pixels missing, contact the Customer Support Centre.	Appendix A, “Service and Support,” on page A-1
<ul style="list-style-type: none"> <li>● Fuzzy lines in text or a blurry image.</li> <li>● Horizontal or vertical lines through the image.</li> </ul>	<ul style="list-style-type: none"> <li>● Your system Display Properties setting have not been optimized.</li> </ul>	Adjust the resolution settings on your system to match the native resolution for this monitor: 1920x1080@60Hz.	“Adjusting your monitor image” on page 2-5
		When working in the native resolution, you may find additional improvements by adjusting the Dots Per Inch (DPI) setting on your system.	See the Advanced section of your system’s display properties.

## Manually installing the monitor driver

Below are steps for manually installing the monitor driver in Microsoft Windows 10, Microsoft Windows 11.

1. Turn off the computer, all attached devices.
2. Ensure that the monitor is connected correctly.
3. Turn on the monitor and then the system unit. Allow your computer to start the Windows operating system.
4. From the Lenovo website [https://pcsupport.lenovo.com/solutions/I24m\\_4a](https://pcsupport.lenovo.com/solutions/I24m_4a), find the corresponding monitor driver and download it to a PC to which this monitor is connected (such as a desktop).
5. Right-click the Windows **Start** button on the desktop, then click **Device Manager**, and double click **Monitor**.
6. Double-click **Generic Monitor**.
7. Click the **Driver** tab.
8. Click **Update Driver**, and then click **Browse Computer to find the driver**.
9. Click **Let me pick from a list of available drivers on my computer**.
10. Click the **Have Disk...** button. By clicking the **Browse** button, browse and point to the following path: **X:\Monitor Drivers\Windows** (where X indicates "the folder in which the downloaded driver is located" (such as a desktop)).
11. Select **I24m-4a.inf** file, Click **Open** button. Click **OK** button.
12. In the new window, select **L24m-4A** and click **Next**.
13. After the installation is complete, delete all downloaded files and close all Windows.
14. Restart the system. The system will automatically select the refresh rate and the corresponding color matching profile.

# Service information

## Customer responsibilities

The warranty does not apply to a product which has been damaged due to accident, misuse, abuse, improper installation, usage not in accordance with product specifications and instructions, natural or personal disaster, or unauthorized alterations, repairs or modifications.

The following are examples of misuse or abuse and not covered by warranty:

- Images burned on to the screen of a CRT monitor. Burned image is preventable by utilizing a moving screen saver or power management.
- Physical damage to covers, bezel, base and cables.
- Scratches or punctures on monitor screens.

## Getting further help

If you still can't solve your problem, please contact the Customer Support Center. For more information on contacting the Customer Support Center, please see Appendix A, "Service and Support," on page A-1.

## Service parts

The following parts are for use by Lenovo service, or Lenovo authorized dealers to support the customer warranty. Parts are for service use only. The table below shows information for model 67BDUAC6WW.

Table 3-3. List of service parts

<b>FRU (Field Replaceable Unit) Part number</b>	<b>Description</b>	<b>Colour</b>	<b>Machine Type Model (MTM)</b>
5D11P36191	L24m-4A - 23.8 inch FRU Monitor (HDMI)	Cloud Grey	67BDUAC6WW
5C11P37203	Type-C cable 1.8m FRU	Raven Black	67BDUAC6WW
5SE1P38200	L24m-4A - FRU Stand and Base	Cloud Grey	67BDUAC6WW
5C11J31037	HDMI2.0 cable 1.8m FRU	Raven Black	67BDUAC6WW
5D11P36203	L24m-4A - 23.8 inch FRU Monitor -Low halogen	Cloud Grey	67BDUAC6WW
5C11P37217	L24m-4A - Type-C cable 1.8m FRU-Low halogen	Raven Black	67BDUAC6WW

---

## Appendix A Service and Support

The following information describes the technical support that is available for your product, during the warranty period or throughout the life of your product. Refer to the Lenovo Limited Warranty for a full explanation of Lenovo warranty terms.

---

### Registering your option

Register to receive product service and support updates, as well as free and discounted computer accessories and content. Go to: <http://www.lenovo.com/register>

---

### Online technical support

Online technical support is available during the lifetime of a product at:

<http://www.lenovo.com/support>

Product replacement assistance or exchange of defective components also is available during the warranty period. In addition, if your option is installed in a Lenovo computer, you might be entitled to service at your location. A Lenovo technical support representative can help you determine the best alternative.

---

### Telephone technical support

Installation and configuration support through the Customer Support Center will be available until 90 days after the option has been withdrawn from marketing. After that time, the support is cancelled, or made available for a fee, at Lenovo's discretion. Additional support is also available for a nominal fee.

Before contacting a Lenovo technical support representative, please have the following information available: option name and number, proof of purchase, computer manufacturer, model, serial number and manual, the exact wording of any error message, description of the problem, and the hardware and software configuration information for your system.

Your technical support representative might want to walk you through the problem while you are at your computer during the call.

Telephone numbers are subject to change without notice. The most up-to-date telephone list for Lenovo Support is always available at:

<http://www.lenovo.com/support/phone>

Country or Region	Telephone Number
China	400-990-8888
South Africa	800982393
Argentina	0800-666-0011 (Spanish, English)
Australia	1-800-041-267 (English)
Austria	0810-100-654 (For local rate) (German)
Belgium	Warranty service and support: 02-339-36-11 (French, Dutch)
Bolivia	0800-10-0189 (Spanish)

---

## Appendix B Notices

Lenovo may not offer the products, services, or features discussed in this document in all countries. Consult your local Lenovo representative for information on the products and services currently available in your area. Any reference to a Lenovo product, program, or service is not intended to state or imply that only that Lenovo product, program, or service may be used. Any functionally equivalent product, program, or service that does not infringe any Lenovo intellectual property right may be used instead.

However, it is the user's responsibility to evaluate and verify the operation of any other product, program, or service.

Lenovo may have patents or pending patent applications covering subject matter described in this document. The furnishing of this document does not give you any license to these patents. You can send license inquiries, in writing, to:

*Lenovo (United States), Inc.  
1009 Think Place - Building One  
Morrisville, NC 27560  
U.S.A.  
Attention: Lenovo Director of Licensing*

LENOVO PROVIDES THIS PUBLICATION "AS IS" WITHOUT WARRANTY OF ANY KIND, EITHER EXPRESS OR IMPLIED, INCLUDING, BUT NOT LIMITED TO, THE IMPLIED WARRANTIES OF NON-INFRINGEMENT, MERCHANTABILITY OR FITNESS FOR A PARTICULAR PURPOSE. Some jurisdictions do not allow disclaimer of express or implied warranties in certain transactions; therefore, this statement may not apply to you.

This information could include technical inaccuracies or typographical errors. Changes are periodically made to the information herein; these changes will be incorporated in new editions of the publication. Lenovo may make improvements and/or changes in the product(s) and/or the program(s) described in this publication at any time without notice.

The products described in this document are not intended for use in implantation or other life support applications where malfunction may result in injury or death to persons. The information contained in this document does not affect or change Lenovo product specifications or warranties. Nothing in this document shall operate as an express or implied license or indemnity under the intellectual property rights of Lenovo or third parties. All information contained in this document was obtained in specific environments and is presented as an illustration. The result obtained in other operating environments may vary.

Lenovo may use or distribute any of the information you supply in any way it believes appropriate without incurring any obligation to you.

Any references in this publication to non-Lenovo Web sites are provided for convenience only and do not in any manner serve as an endorsement of those Web sites. The materials at those Web sites are not part of the materials for this Lenovo product, and use of those Web sites is at your own risk.

Any performance data contained herein was determined in a controlled environment. Therefore, the result obtained in other operating environments may vary significantly. Some measurements may have been made on development-level systems and there is no guarantee that these measurements will be the same on generally available systems. Furthermore, some measurements may have been estimated through extrapolation. Actual results may vary. Users of this document should verify the applicable data for their specific environment.

---

## Recycling information

Lenovo encourages owners of information technology (IT) equipment to responsibly recycle their equipment when it is no longer needed. Lenovo offers a variety of programs and services to assist equipment owners in recycling their IT products. For information on recycling Lenovo products, go to: [www.lenovo.com/recycling](http://www.lenovo.com/recycling)

環境配慮に関して

本機器またはモニターの回収リサイクルについて

企業のお客様が、本機器が使用済みとなり廃棄される場合は、資源有効利用促進法の規定により、産業廃棄物として、地域を管轄する県知事あるいは、政令市長の許可を持った産業廃棄物処理業者に適正処理を委託する必要があります。また、弊社では資源有効利用促進法に基づき使用済みパソコンの回収および再利用・再資源化を行う「PC回収リサイクル・サービス」を提供しています。詳細は、[https://www.lenovo.com/jp/ja/services\\_warranty/recycle/pcrecycle/](https://www.lenovo.com/jp/ja/services_warranty/recycle/pcrecycle/)をご参照ください。

また、同法により、家庭で使用済みとなったパソコンのメーカー等による回収再資源化が2003年10月1日よりスタートしました。詳細は、[https://www.lenovo.com/jp/ja/services\\_warranty/recycle/personal/](https://www.lenovo.com/jp/ja/services_warranty/recycle/personal/)をご参照ください。

重金属を含む内部部品の廃棄処理について

本機器のプリント基板等には微量の重金属（鉛など）が使用されています。使用後は適切な処理を行うため、上記「本機器またはモニターの回収リサイクルについて」に従って廃棄してください。

## Collecting and recycling a disused Lenovo computer or monitor

If you are a company employee and need to dispose of a Lenovo computer or monitor that is the property of the company, you must do so in accordance with the Law for Promotion of Effective Utilization of Resources. Computers and monitors are categorized as industrial waste and should be properly disposed of by an industrial waste disposal contractor certified by a local government. In accordance with the Law for Promotion of Effective Utilization of Resources, Lenovo Japan provides, through its PC Collecting and Recycling Services, for the collecting, reuse, and recycling of disused computers and monitors. For details, visit the Lenovo Web site at

[https://www.lenovo.com/jp/ja/services\\_warranty/recycle/pcrecycle/](https://www.lenovo.com/jp/ja/services_warranty/recycle/pcrecycle/). Pursuant to the Law for Promotion of Effective Utilization of Resources, the collecting and recycling of home-used computers and monitors by the manufacturer was begun in October 1, 2003. This service is provided free of charge for home-used computers sold after October 1, 2003. For details, visit the Lenovo Web site at: [https://www.lenovo.com/jp/ja/services\\_warranty/recycle/personal/](https://www.lenovo.com/jp/ja/services_warranty/recycle/personal/).

## Disposing of Lenovo computer components

Some Lenovo computer products sold in Japan may have components that contain heavy metals or other environmental sensitive substances. To properly dispose of disused components, such as a printed circuit board or drive, use the methods described above for collecting and recycling a disused computer or monitor.

---

## Trademarks

The following terms are trademarks of Lenovo in the United States, other countries, or both:

Lenovo  
The Lenovo logo  
ThinkCenter  
ThinkPad  
ThinkVision

Microsoft, Windows, and Windows NT are trademarks of the Microsoft group of companies. Other company, product, or service names may be trademarks or service marks of others.

---

## Power cords and power adapters

Use only the power cords and power adapters supplied by the product manufacturer. Do not use the ac power cord for other devices.