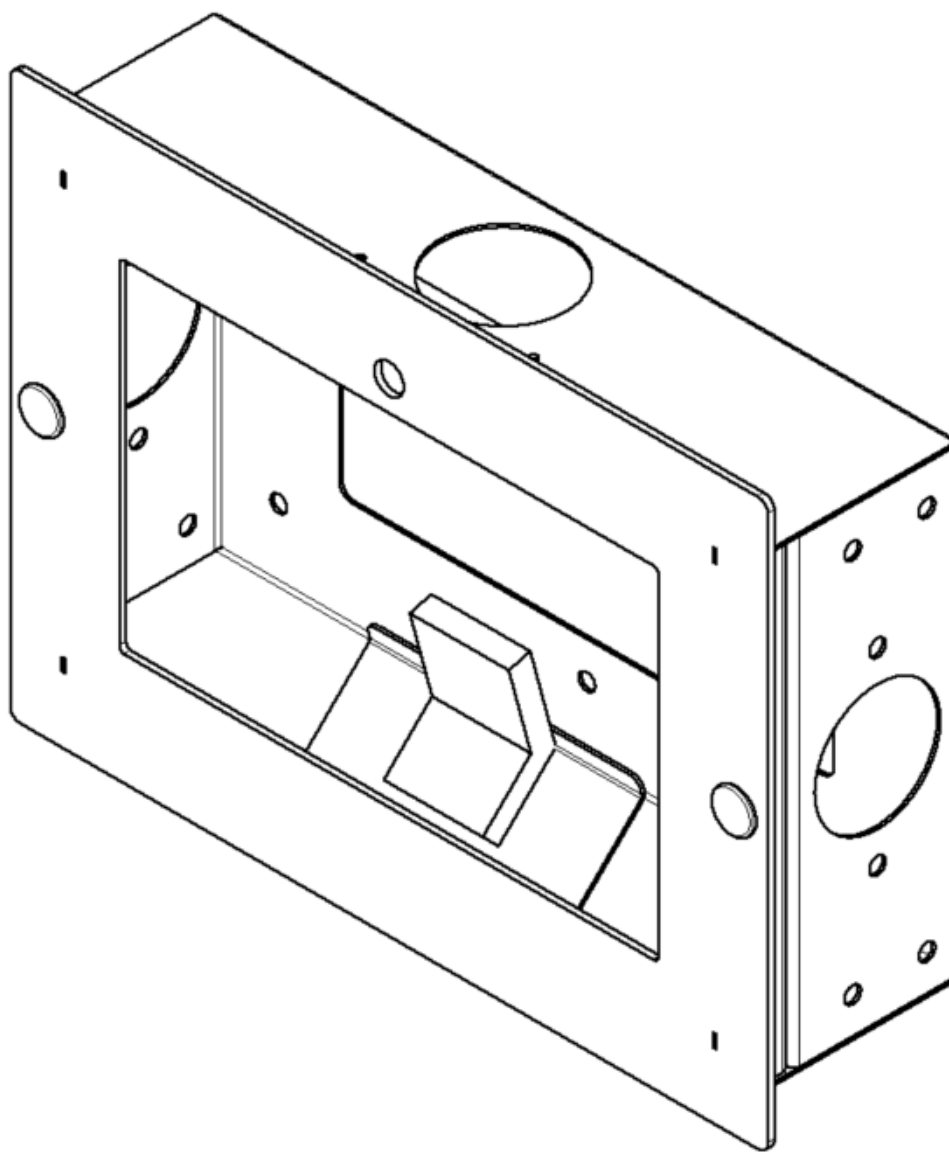




# Install Guide

---

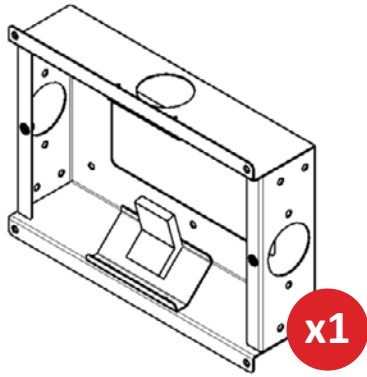
Poly TC10 In-Wall Mount (TC10-WMP)



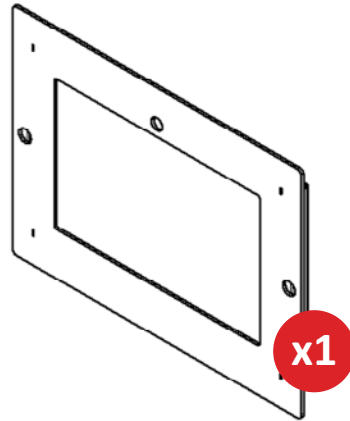
# PACKAGE CONTENTS

Included with TC10-WMP:

**A**



**B**



**C**



**D**



**E**



A. Wall box [x1]

B. Faceplate [x1]

C. Anchor screws [x4]

D. M5 screws [x2]

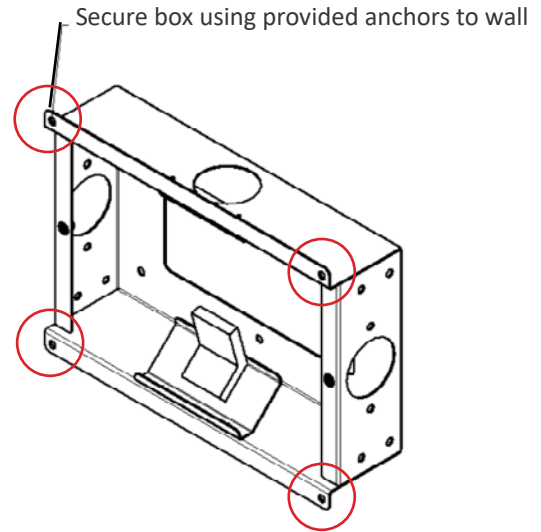
E. White stoppers [x2]

## STEP 1

### Secure Wall Box to Wall

**NOTE:** The cutout for the wall needs to be 12" wide and 7.5" tall.

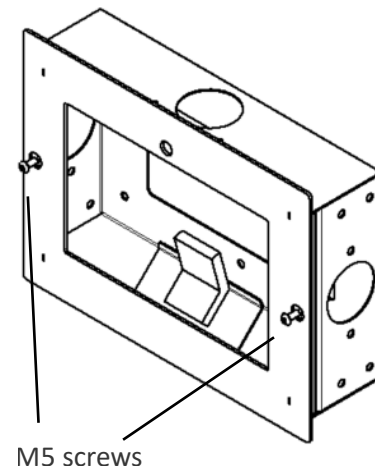
- Place the wall box (A) in the wall.
- Secure the wall box to the wall with [x4] anchor screws (C).



## STEP 2

### Attach Faceplate to Wall Box

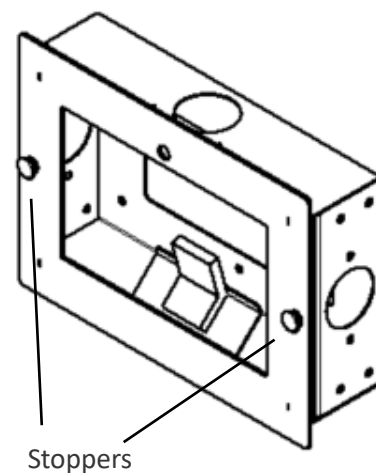
- Rest the Poly TC10 touch panel on the front side of the wall box.
- Place the faceplate (B) over the touch panel and wall box (A). Line up the left and right holes and attach the faceplate using [x2] M5 screws (D).



## STEP 3

### Secure Faceplate with Stoppers

- Insert [x2] white stoppers (E) onto the M5 screws (D).



**Have a question?**

Contact us at [support@avteqinc.com](mailto:support@avteqinc.com)