

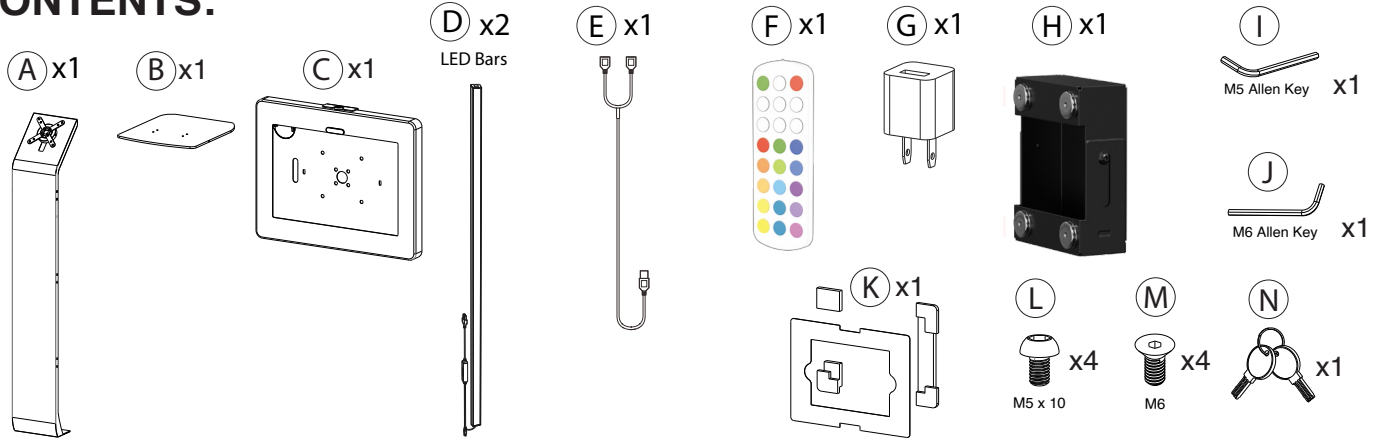


Premium Floorstand with LED Light Add-On for 9-11" Tablets

PAD-LEDPARAF

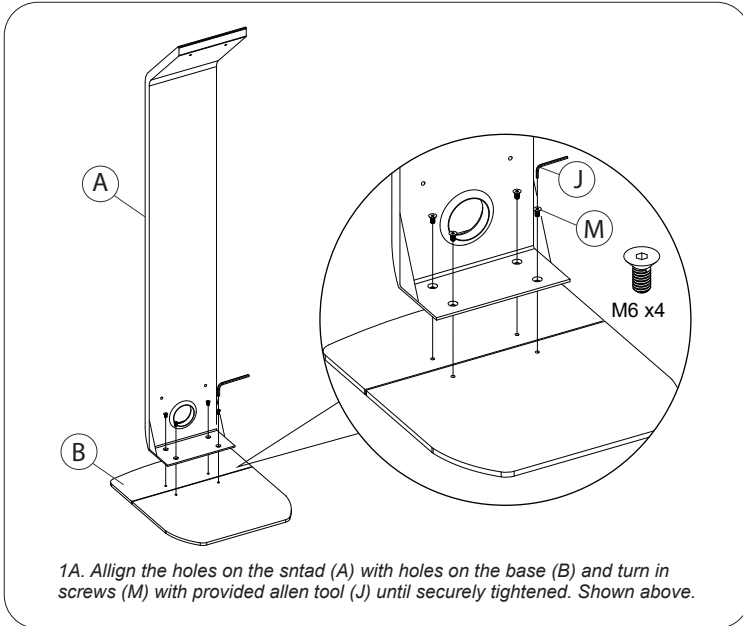
INSTRUCTION - MANUAL

CONTENTS:

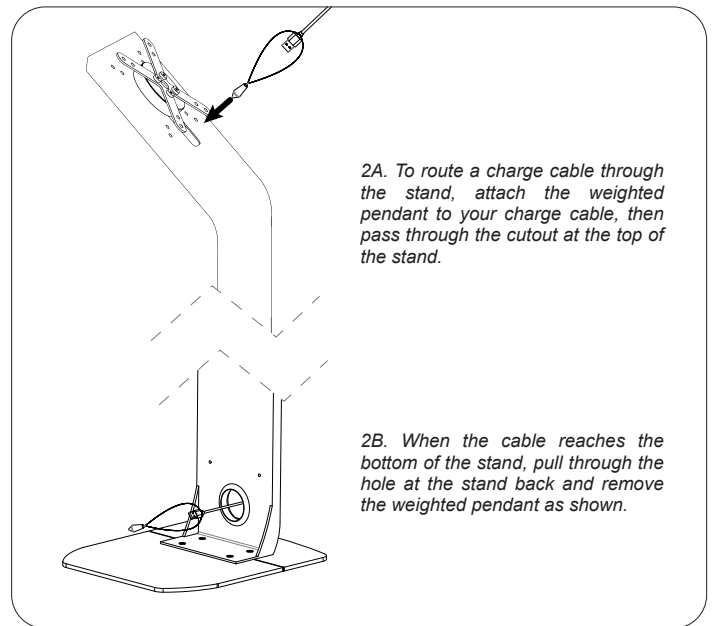


INSTALLATION:

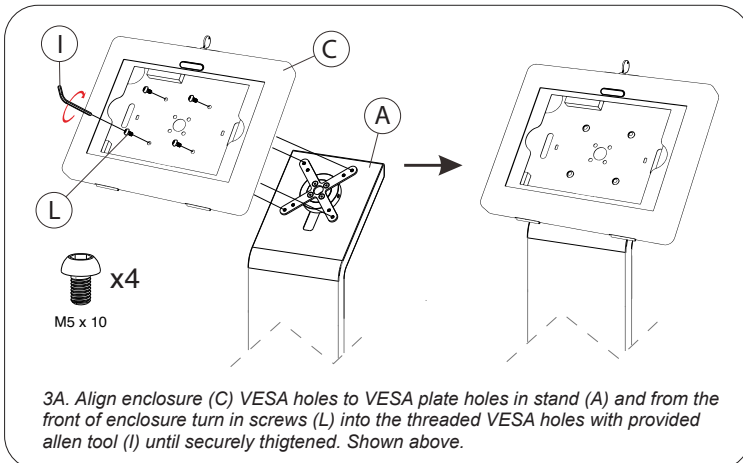
1. Assembling floorstand base:



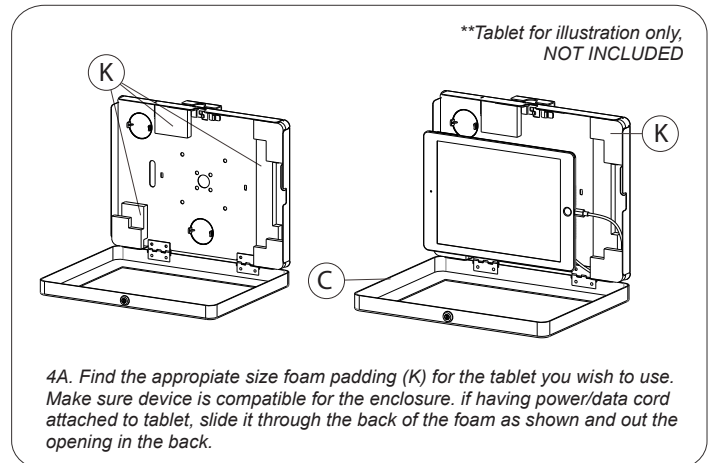
2. Cable routing:



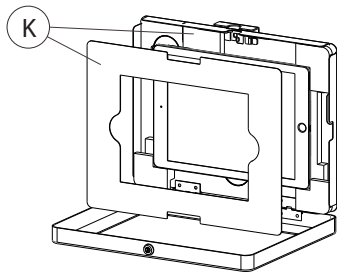
3. Attaching enclosure to VESA plate:



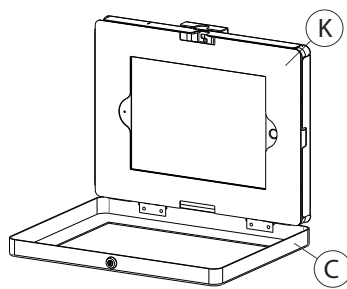
4. Inserting tablet into enclosure:



5. Optional - Placing blank sheet insert into enclosure:



5A. Lay-in correct masking insert from bundle (K) as needed the correct fitted look for your device.

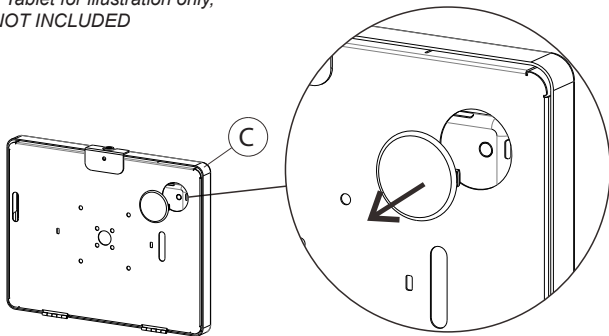


5B. Close and lock enclosure afterwards and you're set

**Tablet for illustration only, NOT INCLUDED

6. Removing back covers:

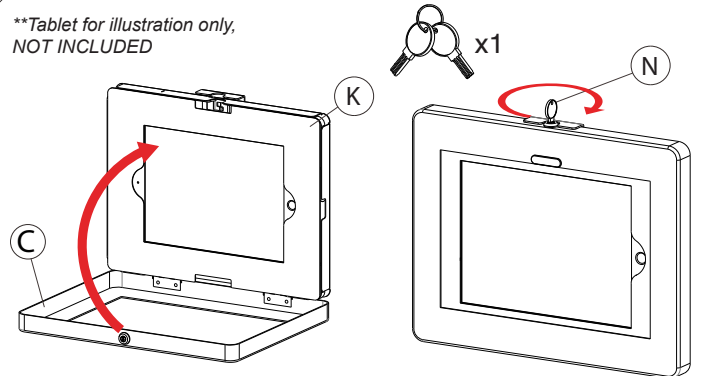
**Tablet for illustration only, NOT INCLUDED



6A. When installing device into enclosure (C), identify where the camera is. Then simply remove and pop out the cover prior to mounting or setting up tablet to properly expose camera.

7. Setting up security:

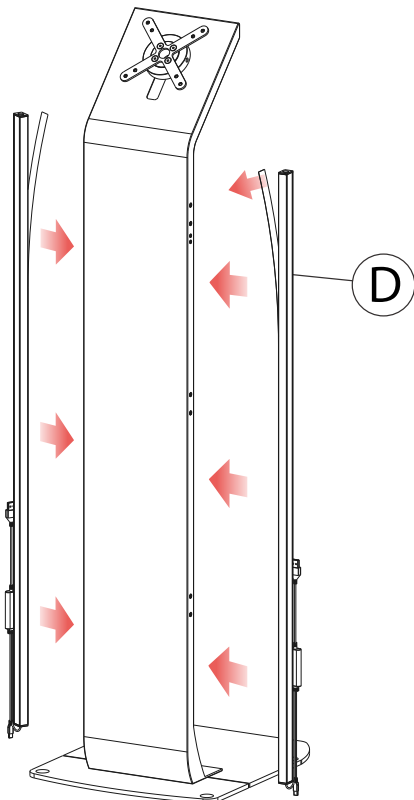
**Tablet for illustration only, NOT INCLUDED



7A. Once the tablet device is set up, close the front lid of the enclosure (C).

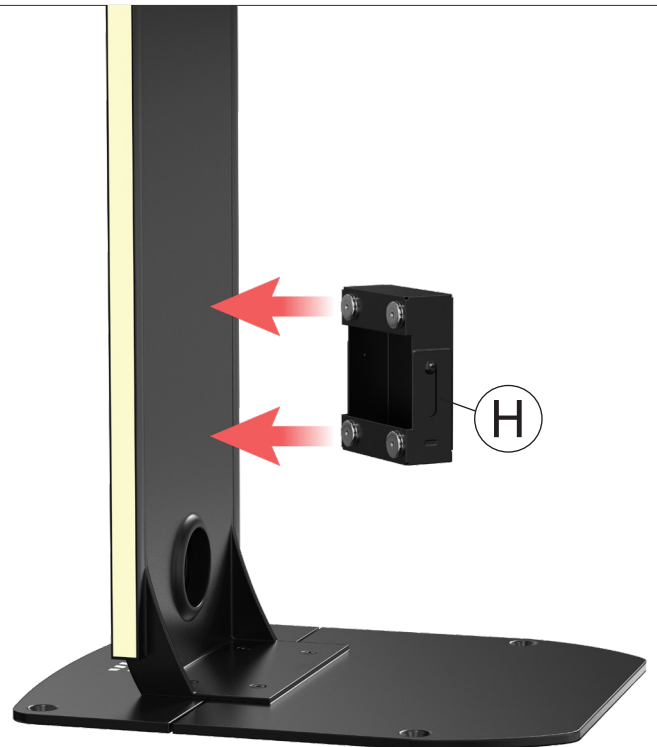
7B. Insert the key (N) in the keyhole on top of enclosure, and turn clockwise to lock the enclosure in place.

8. Setting Up LED Bar:



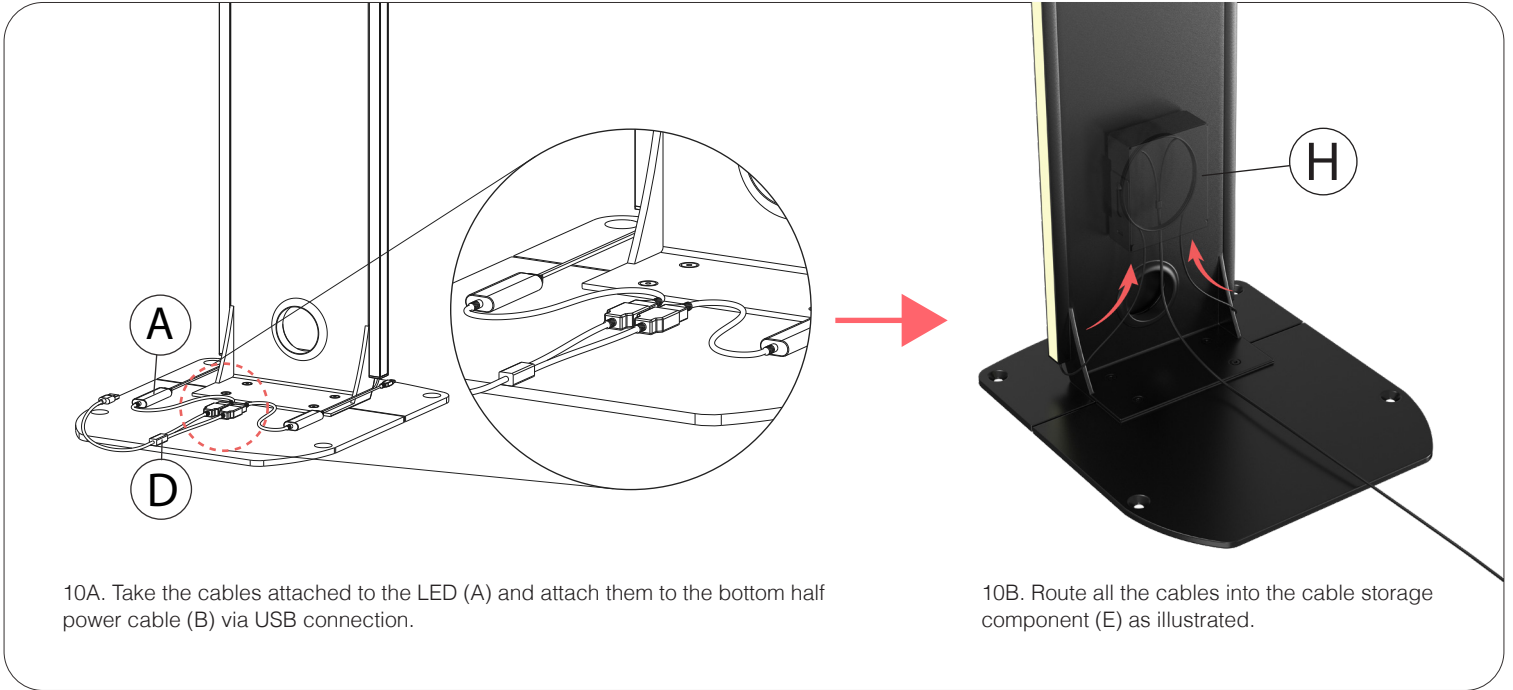
1A. Peel off the 3M adhesive sticker on the back of the LED light bar (D) as illustrated. Attach the LED bar onto the edge of the CTA floor stand with the wire end on the bottom side. Repeat same steps for the LED bar on the other side of the floor stand.

9. Attaching Wire Storage Component:



2A. Take the cable storage (H) and magnetically affix onto the backside of the floor stand as illustrated above. Be sure to have the openings at the bottom side when orienting storage component.

10. Cable Routing and Cable Management:



11. Cable Routing and Cable Management (Continued):

