

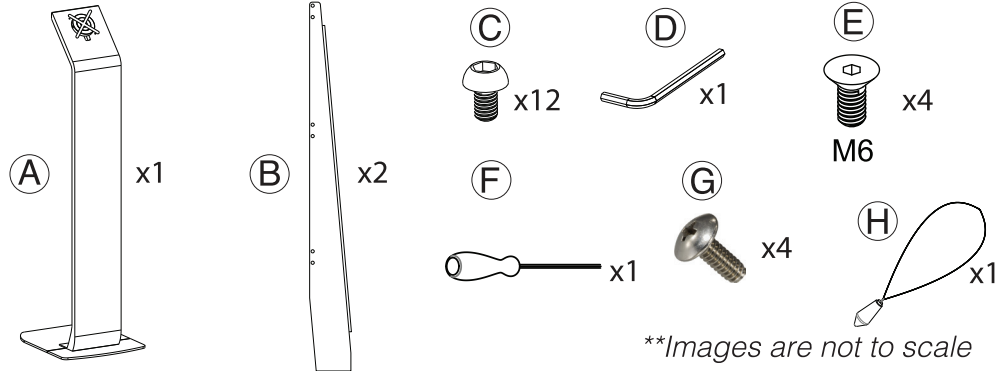


Premium Floor Stand for Monitors

ADD-PARAFSM

INSTALLATION - MANUAL

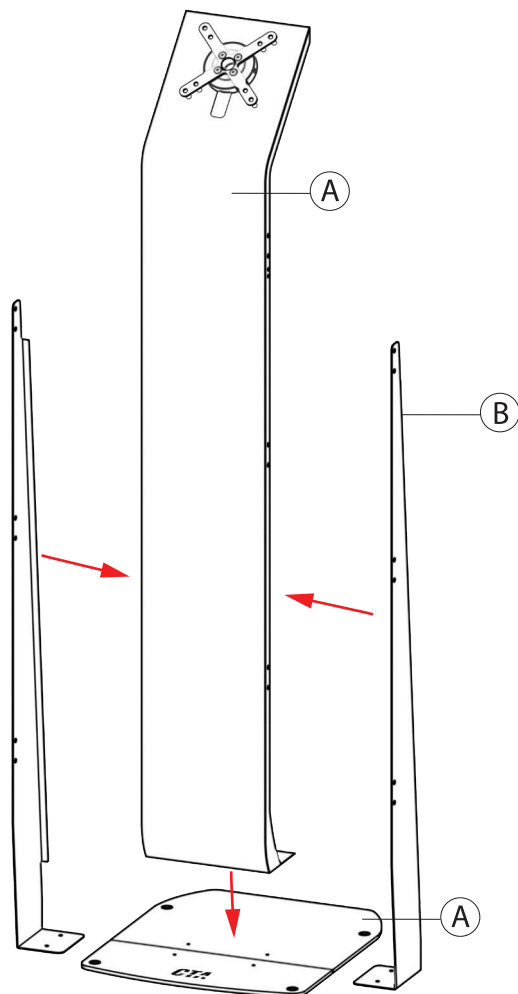
CONTENTS:



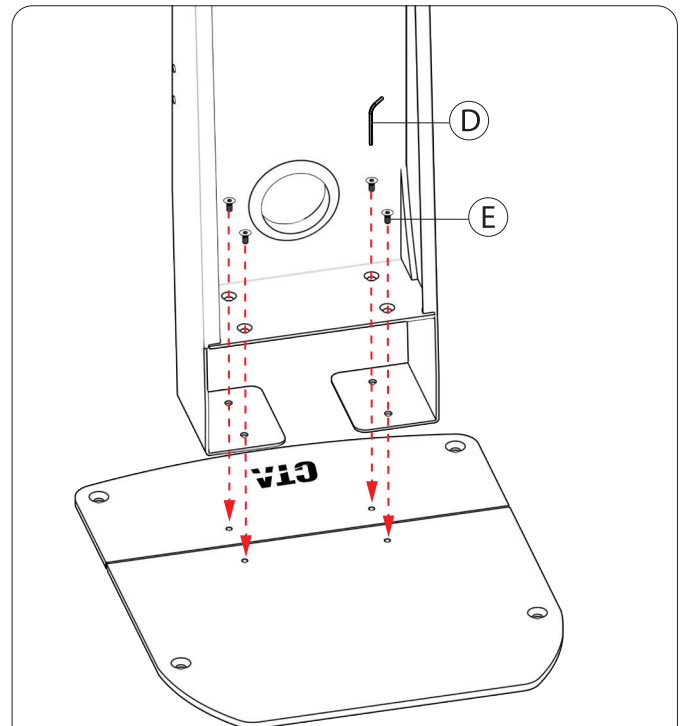
INSTALLATION:

1. Assembling Base, Body and Brackets

1A. Align the floorstand base (A), two side brackets (B) and floorstand body (A) as illustrated below. Make sure the mounting holes all align for screws to go through. Be sure to have the floorstand base with the base pads facing the floor.



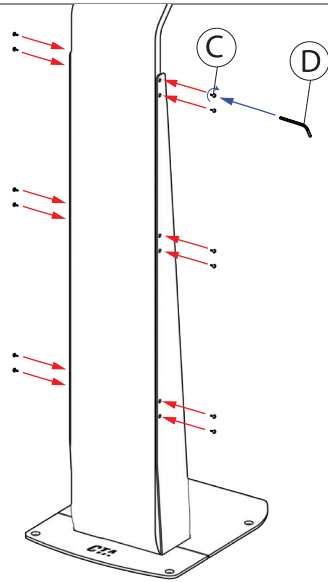
**Monitor Not Included



1B. When floor stand body, base and brackets mounting holes are all aligned as illustrated above, use provided tool (D) and rotate in 4 screws (E) until securely fastened.

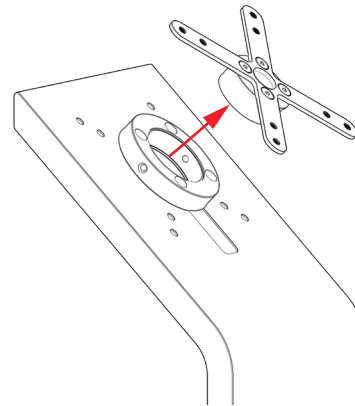
2. Rotate in Side Screws for Brackets

Locate the screw openings on the side of the brackets. They should be properly aligned with the floor-stand base holes. If they are not, go back to step one and carefully re-assemble properly. Using provided tool (D), rotate in screws (C) until securely fastened.



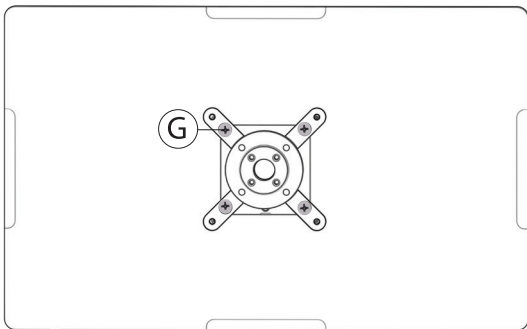
3. Remove the X-VESA

Locate the X-VESA. Simply pull outwards until X-VESA and inner metal circle have been removed as illustrated.



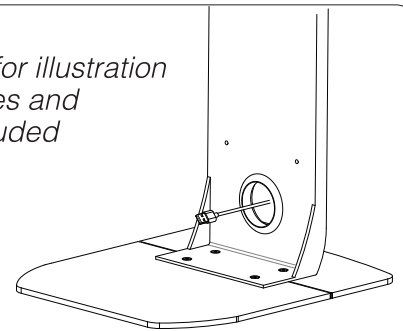
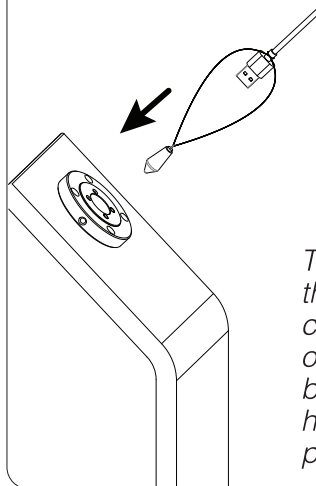
4. Attach X-VESA to Device

Align X-VESA holes to the VESA holes on the back of your device. Rotate in screws (G) from behind with screwdriver (not provided) until securely fastened as illustrated.



5. Cable Routing

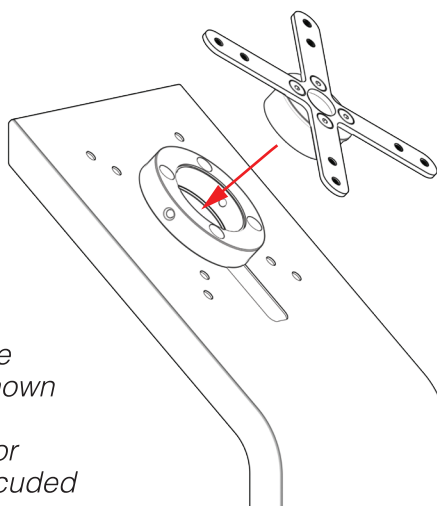
**Cord for illustration purposes and not included



To route a cable through stand, attach the weighted pendant(H) to your charge cable, then pass through ring at the top of the stand. When cable reaches the bottom of the stand, pull through the hole at the stand back and remove the pendant.

5. Re-insert X-VESA back into Floorstand

Take the now attached device with X-VESA component. Align inner metal ring back inside the metal ring attached on the floor stand as illustrated

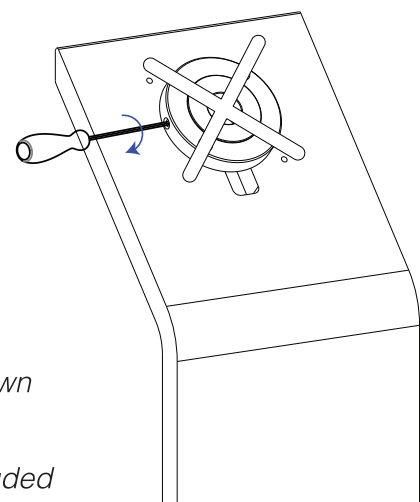


**Device Not Shown

**Monitor Not Included

6. Tighten Joint

While device is already attached, rotate orientation portrait or landscape to preferred setup. Then using provided tool (F), tighten circular metal joint until securely fastened.



**Device Not Shown

**Monitor Not Included