




Owner's Manual

PSB-2 JBL Professional Soundbar



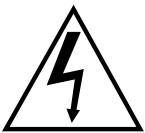
IMPORTANT SAFETY INSTRUCTIONS

1. READ these instructions.
2. KEEP these instructions.
3. HEED all warnings.
4. FOLLOW all instructions.
5. DO NOT use this apparatus near water.
6. CLEAN ONLY with dry cloth.
7. DO NOT block any ventilation openings. Install in accordance with the manufacturer's instructions.
8. DO NOT install near any heat sources such as radiators, heat registers, stoves, or other apparatus (including amplifiers) that produce heat.
9. DO NOT defeat the safety purpose of the polarized or grounding type plug. A polarized plug has two blades with one wider than the other. A grounding type plug has two blades and a third grounding prong. The wider blade or the third prong are provided for your safety. If the provided plug does not fit into your outlet, consult an electrician for replacement of the obsolete outlet.
10. PROTECT the power cord from being walked on or pinched, particularly at plugs, convenience receptacles, and the point where they exit from the apparatus.
11. ONLY USE attachments/accessories specified by the manufacturer.
12.  CAUTION: Use only with a cart, stand, tripod, bracket, or table specified by the manufacturer, or sold with the apparatus. When a cart is used, use caution when moving the cart/apparatus combination to avoid injury from tip-over. Use with other equipment or carts may result in instability causing injury.
13. UNPLUG this apparatus during lightning storms or when unused for long periods of time.
14. REFER all servicing to qualified service personnel. Servicing is required when the apparatus has been damaged in any way, such as power-supply cord or plug is damaged, liquid has been spilled or objects have fallen into the apparatus, the apparatus has been exposed to rain or moisture, does not operate normally, or has been dropped.
15. DO NOT expose this apparatus to dripping or splashing and ensure that no objects filled with liquids, such as vases, are placed on the apparatus.
16. To completely disconnect this apparatus from the AC Mains, disconnect the power supply cord plug from the AC receptacle.
17. Where the mains plug or an appliance coupler is used as the disconnect device, the disconnect device shall remain readily operable.
18. DO NOT overload wall outlets or extension cords beyond their rated capacity as this can cause electric shock or fire.
19. Follow all locally applicable laws, codes and regulations when installing, powering, operating or servicing the product.
20. Install and operate only as directed or a safety hazard could be created.

WATCH FOR THESE SYMBOLS:



The exclamation point, within an equilateral triangle, is intended to alert the user to the presence of important operating and maintenance (servicing) instructions in the literature accompanying the product.



The lightning flash with arrowhead symbol within an equilateral triangle is intended to alert the user to the presence of uninsulated "dangerous voltage" within the product's enclosure that may be of sufficient magnitude to constitute a risk of electrical shock to persons.



Read manual before use.

- WARNING** To reduce the risk of fire or electrical shock, do not expose this apparatus to rain or moisture.
- WARNING** No naked flame sources – such as lighted candles – should be placed on the product.
- WARNING** Product is to be mounted at a maximum height of 2 m.
- WARNING** This product is intended to be operated ONLY from voltages that complies with local building and electrical codes listed on the back panel or the recommended or included power supply of the product. Operation from other voltages other than those indicated may cause irreversible damage to the product and void the products warranty. The use of AC Plug Adapters is cautioned because it can allow the product to be plugged into voltages in which the product was not designed to operate. If you are unsure of the correct operational voltage, please contact your local distributor and/or retailer. If the product is equipped with a detachable power cord, use only the type provided, or specified by the manufacturer or your local distributor.



WARNING: Do Not Open! Risk of Electrical Shock. Voltages in this equipment are hazardous to life. No user-serviceable parts inside. Refer all servicing to qualified service personnel.

Place the equipment near a main power supply outlet and make sure that you can easily access the power breaker switch.

FCC AND CANADA EMC COMPLIANCE INFORMATION:

This device complies with part 15 of the FCC Rules. Operation is subject to the following two conditions:

- (1) This device may not cause harmful interference, and (2) this device must accept any interference received, including interference that may cause undesired operation.

CAN ICES-3 (B)/NMB-3(B)

FCC SDOC SUPPLIER'S DECLARATION OF CONFORMITY:

HARMAN Professional, Inc. hereby declares that this equipment is in compliance with the FCC part 15 Subpart B.

NOTE: This equipment has been tested and found to comply with the limits for a Class B digital device, pursuant to part 15 of the FCC Rules. These limits are designed to provide reasonable protection against harmful interference in a residential installation. This equipment generates, uses and can radiate radio frequency energy and, if not installed and used in accordance with the instructions, may cause harmful interference to radio communications. However, there is no guarantee that interference will not occur in a particular installation. If this equipment does cause harmful interference to radio or television reception, which can be determined by turning the equipment off and on, the user is encouraged to try to correct the interference by one or more of the following measures:

- Reorient or relocate the receiving antenna.
- Increase the separation between the equipment and receiver.
- Connect the equipment into an outlet on a circuit different from that to which the receiver is connected.
- Consult the dealer or an experienced radio/TV technician for help.

Approved under the verification provision of FCC Part 15 as a Class B Digital Device.

CAUTION: Changes or modifications not expressly approved by the manufacturer could void the user's authority to operate this device.

WIRELESS TRANSMITTER COMPLIANCE INFORMATION:

The term "IC:" before the radio certification number only signifies that Industry Canada technical specifications were met.

This device complies with part 15 of the FCC Rules and the applicable Industry Canada license-exempt RSS standard(s). Operation is subject to the following two conditions: (1) this device may not cause harmful interference, and (2) this device must accept any interference, including interference that may cause undesired operation of the device.

This equipment complies with FCC and IC radiation exposure limits set forth for an uncontrolled environment. This equipment should be installed and operated with minimum distance 20 cm between the radiator and your body. This transmitter must not be co-located or operating in conjunction with any other antenna or transmitter.

EU COMPLIANCE INFORMATION:

ErP (Ecodesign):

The power consumption in

- a. standby mode: 0.4W
- b. networked standby mode: 0.9W.

The product will automatically switch into standby/networked standby when the product is not providing a main function over 18 minutes.

RED DoC:

Hereby, Harman Professional, Inc. declares that the radio equipment type JBL PSB-2 is in compliance with Radio Equipment Directive (RED) 2014/53/EU.

The full text of the EU declaration of conformity is available at the following internet address: <https://jblpro.com>.

WIRELESS FREQUENCY RANGE AND WIRELESS OUTPUT POWER:

2400 - 2483.5MHz

<0.1W

WEEE NOTICE:

The WEEE Directive 2012/19/EU on Waste Electrical and Electronic Equipment (WEEE), which entered into force as European law on 14/02/2014, resulted in a major change in the treatment of electrical equipment at end-of-life.

The purpose of this Directive is, as a first priority, the prevention of WEEE, and in addition, to promote the reuse, recycling and other forms of recovery of such wastes so as to reduce disposal. The WEEE logo on the product or on its box indicating collection for electrical and electronic equipment consists of the crossed-out wheeled bin, as shown below.

This product must not be disposed of or dumped with your other household waste. You are liable of dispose of all your electronic or electrical waste equipment by relocating over to the specified collection point for recycling of such hazardous waste. Isolated collection and proper recovery of your electronic and electrical waste equipment at the time of disposal will allow us to help conserving natural resources. Moreover, proper recycling of the electronic and electrical waste equipment will ensure safety of human health and environment. For more information about electronic and electrical waste equipment disposal, recovery, and collection points, please contact your local city center, household waste disposal service, shop from where you purchased the equipment, or manufacturer of the equipment.



ENVIRONMENTAL:



This device is designed and evaluated under the condition of altitude below 2000 meters above sea level; it can only be used in locations below 2000 meters above sea level. Using the device above 2000 meters could result in a potential safety hazard.

If you have questions about how to install or operate the product, please contact Harman Professional, Inc.

Technical support:

Technical support in North America, please contact: HProTechSupportUSA@harman.com Phone: (844) 776-4899

Technical support outside North America, please contact your local distributor.

HARMAN Professional, Inc.
8500 Balboa Blvd. Northridge, CA 91325 USA

EU: HARMAN Professional Denmark ApS
Olof Palmes Allé 44, 8200 Aarhus N, Denmark

UK: HARMAN Professional Solutions
2 Westside, London Road, Apsley, Hemel Hempstead, HP3 9TD, UK



TABLE OF CONTENTS

Introduction.....	6
Included items	6
Volume Control.....	7
Basic Connectors and Indicators.....	7
Connecting the soundbar	8
Installer Settings	10
Top Panel	11
Bluetooth Beacon Change Software	12
Mounting the Soundbar	13
Wall-Mounting the Soundbar	14
Dimensions	15
Specifications.....	16
Troubleshooting.....	17
Trademarks.....	18
JBL Service Contact Information.....	19
Warranty Information.....	20

INTRODUCTION

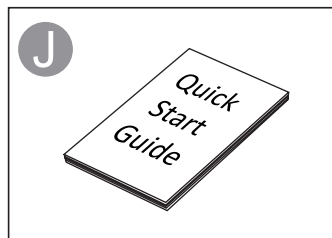
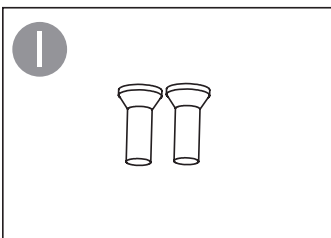
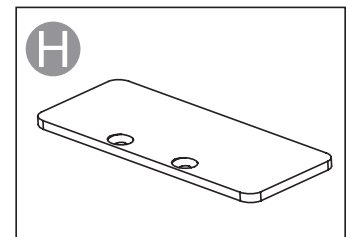
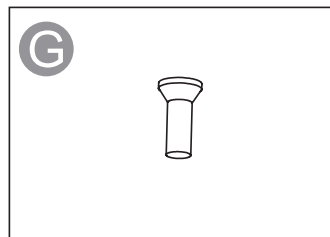
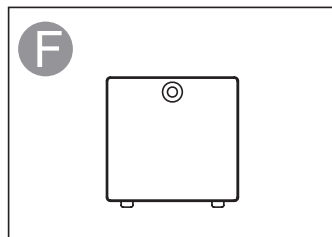
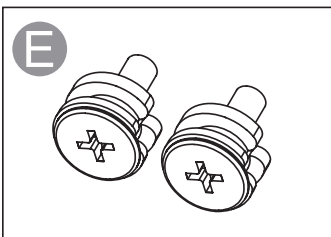
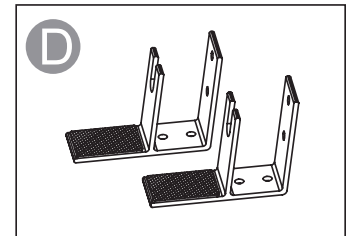
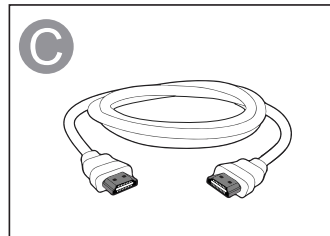
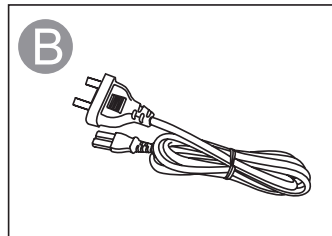
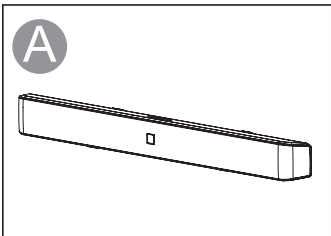
Thank you for choosing this JBL Professional product.

The JBL® Professional SoundBar PSB-2 is designed specifically for hotels and cruise ships in need of a simple, reliable, and low-cost audio upgrade for guestroom televisions. With an application-specific feature set built on a foundation of legendary JBL sound, the JBL® Professional SoundBar PSB-2 is designed to please not only hospitality guests, but also technical AV staff and hospitality business owners.

This manual contains all the information you need to set up, connect, and adjust your new speaker system. For additional information, please visit www.jblpro.com.

INCLUDED ITEMS

- A. Soundbar
- B. Power cable
- C. HDMI Cable
- D. Mounting brackets
- E. Mounting screws
- F. Rear security plate
- G. Rear security plate screw
- H. Top security plate
- I. Top security plate screws
- J. Quick Start Guide



VOLUME CONTROL

The SoundBar comes with convenient volume control options through both HDMI and Bluetooth technology. This allows users to easily adjust the volume of their sound system using either connection method, providing flexibility and ease of use for a seamless audio experience.

HDMI

- Volume control is managed through CEC control from the TV.
 - Adjusting the volume of the TV and the soundbar will follow the change in volume.

Bluetooth

- Volume control is managed through the connected Bluetooth device.
 - Adjusting the volume on the Bluetooth device and soundbar will follow the change in volume.

- There are no volume buttons on the soundbar.
- No remote is included with the soundbar.

BASIC CONNECTORS AND INDICATORS

To connect the soundbar to your local source device, simply plug the HDMI input port into the HDMI output of your device.

Connectors

- HDMI Input
 - Connect the input port to the HDMI output of your local source device.
- HDMI Output/ARC
 - Connect the port to the HDMI Input with ARC support on TV.
 - Verify the TV has ARC enabled and verify TV is set to 2 channel PCM.

Once these steps are completed, power the soundbar by connecting the included power cable to the connector.

If you want to connect the soundbar to a Bluetooth device, simply press the button short or long to set the input to Bluetooth and enter pairing mode.

Finally, the soundbar has an Auto-Standby feature that will enter standby mode after 18 minutes of no audio activity.

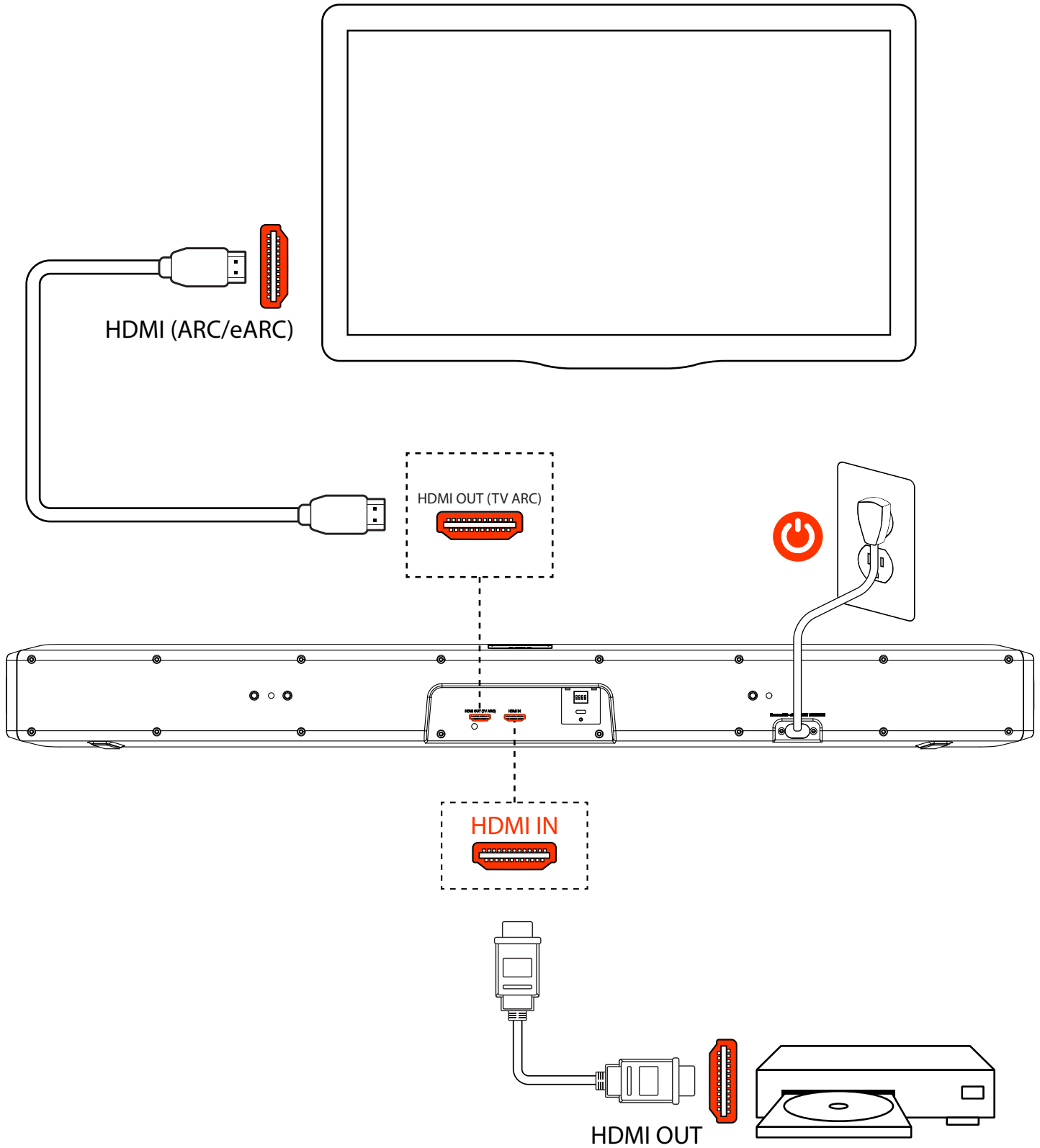
Power

- Connect the power cable (included) to this connector.
- HDMI input
 - Soundbar will turn on/off via CEC commands from the TV.
 - If an on command is sent the soundbar will change to HDMI input.
 - Note – Full compatibility with all HDMI-CEC control is not guaranteed.
- Bluetooth input
 - Soundbar will be turned on by pressing the multi-function button on the top of the soundbar.
 - › If the button is short pressed while the soundbar is standby the input will be set to Bluetooth.
 - › If the soundbar is on and HDMI, it will change to the Bluetooth input. If the soundbar is on and Bluetooth it will change to HDMI.
 - › If the button is long pressed for 3 -9 seconds, the soundbar wake change input to Bluetooth and go into pairing mode.
 - › If the button is long pressed for 10 or more seconds, the soundbar will wake change input to Bluetooth clear all prior pairings and go into pairing mode.

CONNECTING THE SOUNDBAR

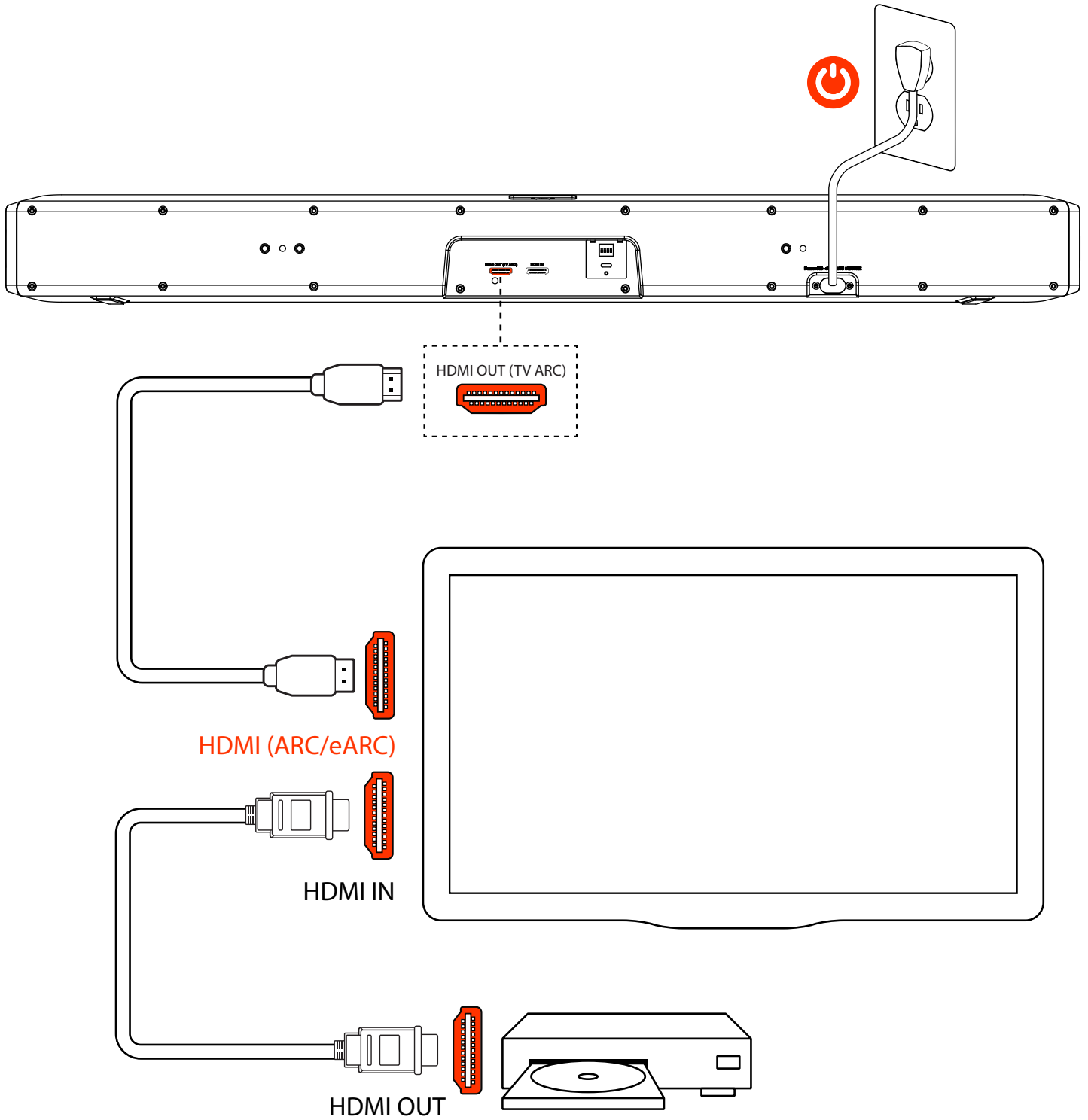
HDMI Passthrough

- Connect playback device HDMI to soundbar.
- Connect soundbar to HDMI input on TV.



HDMI ARC

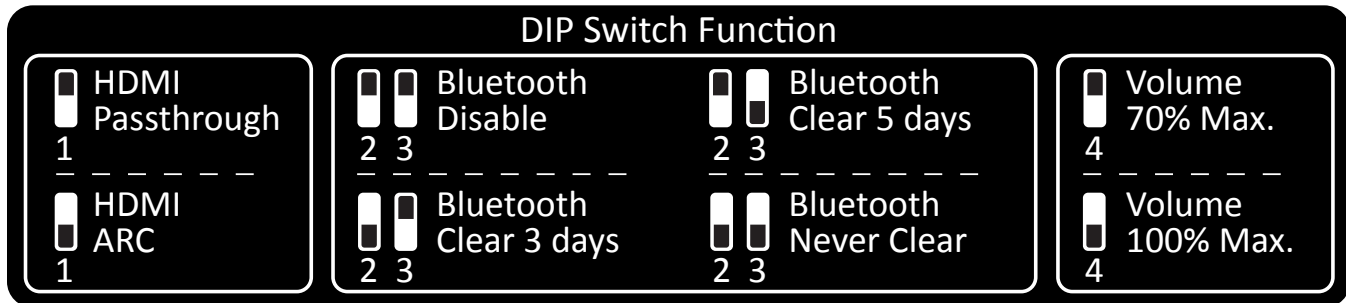
- Connect playback device to HDMI input on TV.
- Connect soundbar to HDMI input with ARC support on TV.



INSTALLER SETTINGS

This section contains advanced settings intended only for the installer. Once the appropriate settings are chosen, the Rear Security Plate (included) can be installed with a screw (included) to prevent end-users from tampering with these critical settings.

Dip Switch Functions



(Sticker on back of soundbar)

- Dip switch 1 controls HDMI audio
 - On
 - Audio will be expected from the HDMI Out/ARC port.
 - Off
 - Audio will be expected from the HDMI Input port.
- Dip switch 2 & 3 control Bluetooth
 - 2 On – 3 On
 - Soundbar will never clear prior pairings with Bluetooth devices.
 - › Useful for installations where the user is the same repeatedly.
 - 2 On – 3 Off
 - › Soundbar will clear prior pairings 3 days or older.
 - Useful for installations where users don't expect to stay more than a few days in the same space as the soundbar.
 - 2 Off- 3 On
 - › Soundbar will clear prior pairings 5 days or older.
 - Useful for installations where users expect to stay for more than a few days in the same space as the soundbar.
 - 2 Off – 3 Off
 - › Bluetooth is disabled.
 - Multi-function button on top of soundbar will not change inputs to Bluetooth.
 - Recommended to install the top security plate.
- Dip switch 4
 - On
 - › Volume is not limited.
 - Off
 - › Volume is limited to 70% of max volume.

TOP PANEL

Single multi-function button.

- Soundbar on – Bluetooth enabled.
 - Single press changes input from HDMI to Bluetooth
- Soundbar on – Bluetooth disabled.
 - Nothing.
- Soundbar off – Bluetooth enabled.
 - Wakes soundbar from sleep and changes input to Bluetooth
- Soundbar off – Bluetooth disabled.
 - Wakes soundbar from sleep and changes input to HDMI.
- 3-Second-long press - Bluetooth enabled.
 - Soundbar goes into Bluetooth Pairing mode.
- 10-Second-long press - Bluetooth enabled.
 - Clears all prior Bluetooth pairings.


FRONT PANEL

Status LED

- Single Multi-Color LED in the center of the front of the sound.

Standby	White breath 3 seconds
System Fault	Red solid
Program Device	Cyan solid
Bluetooth Pairing	Blue blink
Bluetooth Input	Blue solid 3 seconds
HDMI Input	Green solid 3 seconds
Volume Change	HDMI input – Green single blink Bluetooth input – Blue single blink
Volume Max/Min	HDMI input – Green rapid blink 1 second Bluetooth – Blue rapid blink on last step of Max/Min volume step.
Volume Mute	HDMI input – Green blink slow Bluetooth - None

BLUETOOTH BEACON CHANGE SOFTWARE

 BluetoothBeaconSetter

Bluetooth Beacon Setter

USB Port



Current Beacon Name

New Beacon Name

✓ Apply

Reset

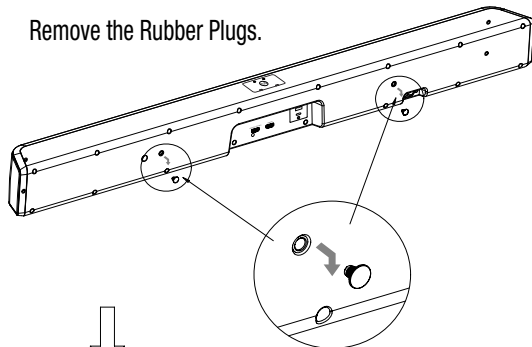
✗ Clear

By following these steps, you can easily set up Bluetooth beacons for your JBL soundbar and enjoy a seamless music streaming experience.

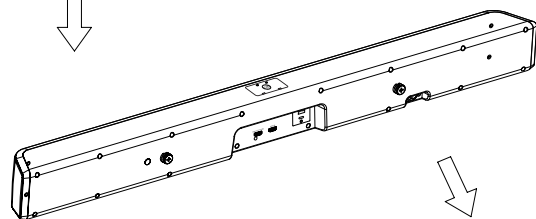
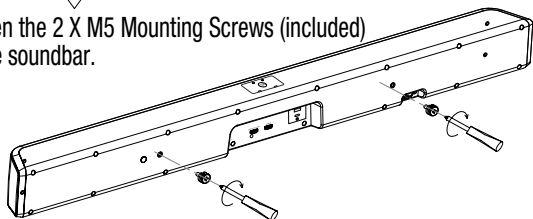
- Download Bluetooth beacon setting software from jblpro.com
- Connect soundbar to PC using USB-C cable.
- Launch software on PC.
- Select port soundbar is connected.
- Edit beacon name.
- Click confirm.
- Verify beacon name has been changed to desired name.

MOUNTING THE SOUNDBAR

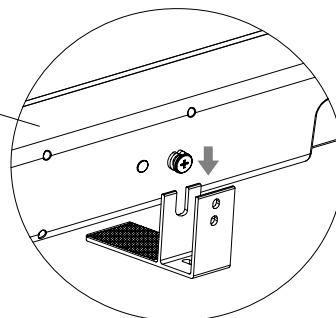
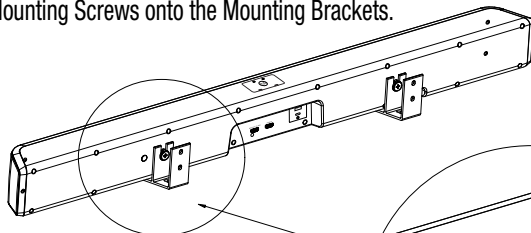
Remove the Rubber Plugs.



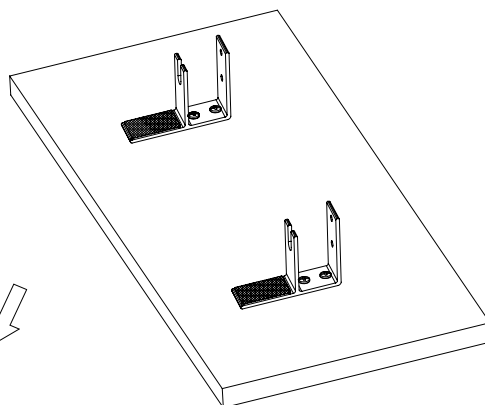
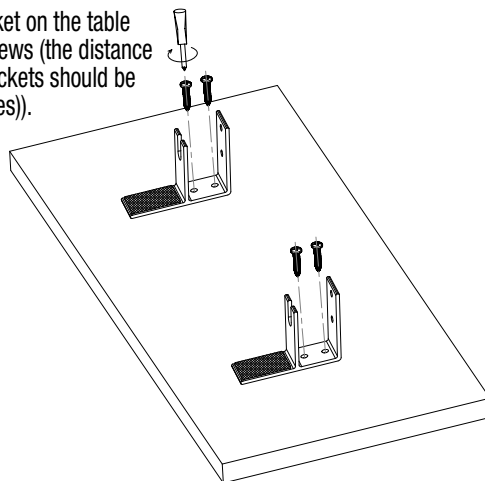
Tighten the 2 X M5 Mounting Screws (included) on the soundbar.



There is a gap in the rubber surrounding the screws. Ensure this gap is facing upwards, and then slide the secured Mounting Screws onto the Mounting Brackets.

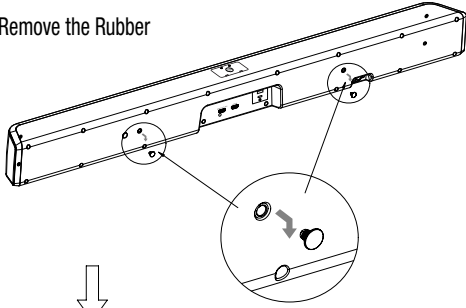


Tighten the bracket on the table using 4 X M4 screws (the distance between two brackets should be 406mm (16 inches)).

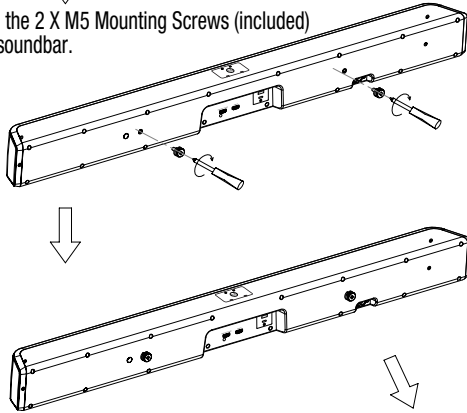


WALL-MOUNTING THE SOUNDBAR

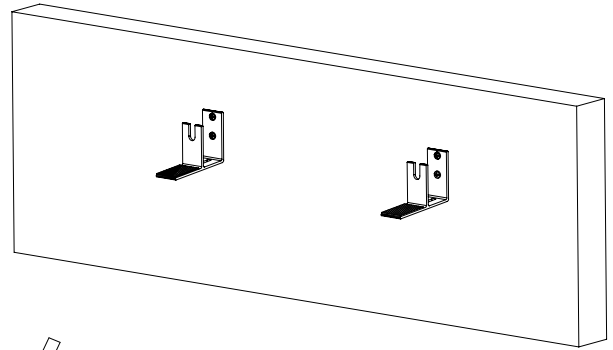
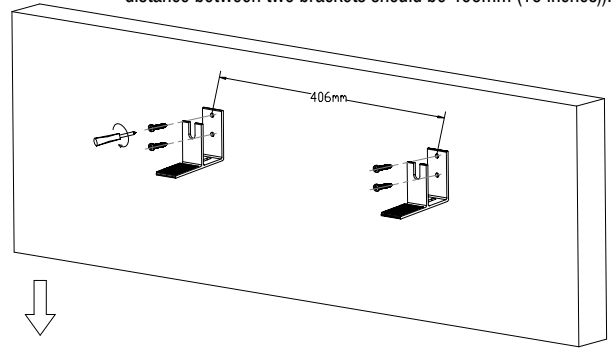
Remove the Rubber



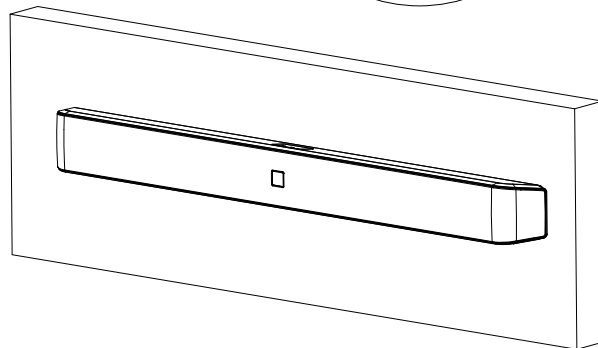
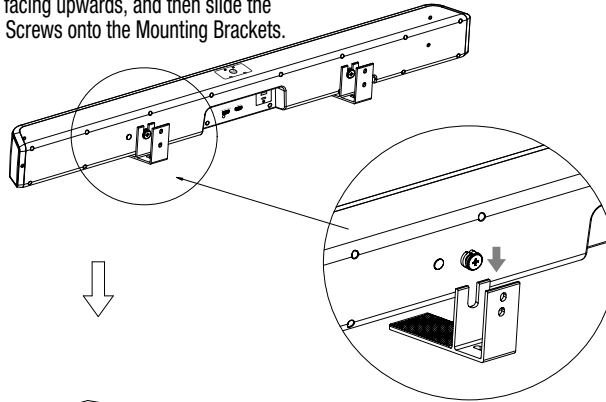
Tighten the 2 X M5 Mounting Screws (included) on the soundbar.



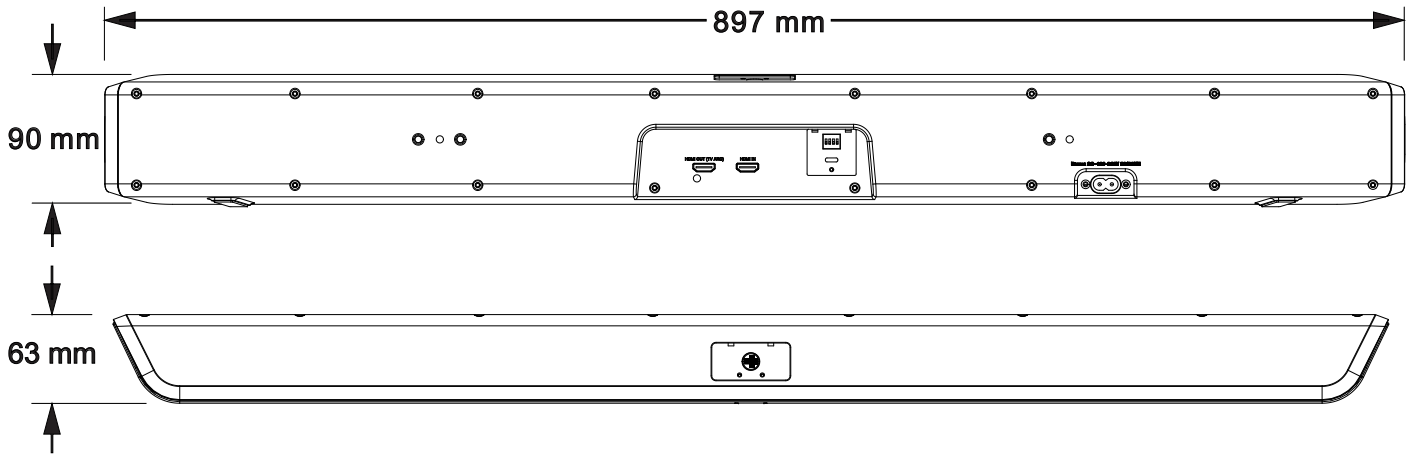
Tighten the bracket on the wall using 4 X M4 screws (the distance between two brackets should be 406mm (16 inches)).



There is a gap in the rubber surrounding the screws. Ensure this gap is facing upwards, and then slide the secured Mounting Screws onto the Mounting Brackets.



DIMENSIONS



SPECIFICATIONS

Frequency Range (-10dB):	62Hz – 20kHz
Frequency Response (±3dB):	100Hz – 20kHz
Maximum Peak SPL:	101 dB-SPL* at 1m
Input Connectors:	HDMI Input (HDMI 2.1), HDMI Output/ARC (HDMI 2.1)
Bluetooth:	Version 5.3 - Frequency Range 2400 to 2483.5 MHz
Nominal Input Sensitivity:	-8dBFS for 93 dB-SPL at 1m (Max Volume setting)
HF Driver:	2 x 19 mm (0.75”) Soft Dome Tweeter (one per channel)
LF Driver:	4 x 51 mm (2.0”) Low-Frequency Driver (two per channel)
Power Amp:	20W per Channel, Class D
AC Power:	Input: 100-240 VAC, 50/60 Hz
Sleep Mode Power:	When the HDMI ports are disconnected, the sleep mode power is < 0.5W; When one of the HDMI port is connected, the sleep mode power is < 2W.
Enclosure Material:	Injection-Molded ABS + PC
Enclosure Finish:	Black
Mounting/Installation:	Two included brackets, desk/table or on-wall mounting
Dimensions (H x W x D):	90mm x 897mm x 63mm (3.54” x 35.3” x 2.48”)
Weight:	2.0 kg (4.4 lbs)
Shipping Weight (1pc):	3.2kg (7.7 lbs)

*Full bandwidth pink noise measured unweighted

TROUBLESHOOTING

Symptom	What to do
Soundbar is not producing audio.	Ensure soundbar is connected to a properly functioning power outlet.
	Verify soundbar is on the expected input.
	Verify source is producing and passing audio.
	Verify volume is at a suitable level.
	HDMI Source <ul style="list-style-type: none"> • Verify HDMI dipswitch is set to the corresponding method of HDMI audio used with the installation. <ul style="list-style-type: none"> ▫ If HDMI Input is connected HDMI dipswitch should be turned off. ▫ If HDMI Output/ARC is where the audio is coming from HDMI dipswitch should be turned on.
Bluetooth Source <ul style="list-style-type: none"> • Verify Bluetooth dipswitches is not set to Bluetooth disabled – 2 Off, 3 Off. • Ensure Bluetooth device is paired and outputting audio to Soundbar. 	
Soundbar is too quiet.	Verify the max volume limiting dipswitch is set to the correct setting for the installation.
	Adjust volume via TV when using HDMI input and Bluetooth device when using Bluetooth input.
Soundbar won't pair with Bluetooth device.	Verify soundbar is on Bluetooth input.
	Verify soundbar is in Bluetooth pairing mode by holding the multi-function button for 3 seconds.
	Verify Bluetooth device is in pairing mode.
	Ensure Bluetooth beacon displays and matches the soundbar setting.
	Hold multi-function button for 10 seconds to clear and reset Bluetooth pairings.

TRADEMARKS



The Bluetooth® word mark and logos are registered trademarks owned by Bluetooth SIG, Inc. and any use of such marks by HARMAN International Industries, Incorporated is under license. Other trademarks and trade names are those of their respective owners.



The terms HDMI, HDMI High-Definition Multimedia Interface, HDMI trade dress and the HDMI Logos are trademarks or registered trademarks of HDMI Licensing Administrator, Inc.

JBL SERVICE CONTACT INFORMATION

MAILING ADDRESS:

JBL Professional
8500 Balboa Blvd.
Northridge, CA 91325

SHIPPING ADDRESS:

Please contact JBL Professional Customer Service for shipping information prior to repairs.

CUSTOMER SERVICE:

Monday through Friday
8:00am – 5:00pm
Pacific Coast Time in the U.S.A.
(800) 8JBLPRO (800.852.5776)
www.jblproservice.com

PRODUCT REGISTRATION:

Register your product online at www.jblpro.com/registration

ON THE WORLD WIDE WEB:

www.jblpro.com

PROFESSIONAL CONTACTS, OUTSIDE THE USA:

Contact the JBL Professional Distributor in your area. A complete list of JBL Professional international distributors is provided at our U.S.A. website: www.jblpro.com

EN DEHORS DES ETATS-UNIS:

Contactez votre Distributeur JBL Professional. Une liste complète de nos distributeurs internationaux est disponible sur le site web—www.jblpro.com

INTERNATIONAL:

Wenden Sie sich an Ihre örtliche JBL Professional Vertretung. Eine vollständige Liste der internationalen JBL-Vertretungen finden Sie auf unserer Website unter www.jblpro.com

FUERA DE LOS ESTADOS UNIDOS:

Comuníquese con el distribuidor de JBL Professional de su zona. En nuestro sitio web, www.jblpro.com, encontrará una lista completa de los distribuidores de JBL International.

WARRANTY INFORMATION

The JBL Limited Warranty on professional loudspeaker products (except for enclosures) remains in effect for five years from the date of the first consumer purchase. JBL amplifiers are warranted for three years from the date of original purchase. Enclosures and all other JBL products are warranted for two years from the date of original purchase.

WHO IS PROTECTED BY THIS WARRANTY?

Your JBL Warranty protects the original owner and all subsequent owners so long as: A.) Your JBL product has been purchased in the Continental United States, Hawaii or Alaska. (This Warranty does not apply to JBL products purchased elsewhere except for purchases by military outlets. Other purchasers should contact the local JBL distributor for warranty information.); and B.) The original dated bill of sale is presented whenever warranty service is required.

WHAT DOES THE JBL WARRANTY COVER?

Except as specified below, your JBL Warranty covers all defects in material and workmanship. The following are not covered: Damage caused by accident, misuse, abuse, product modification or neglect; damage occurring during shipment; damage resulting from failure to follow instructions contained in your Instruction Manual; damage resulting from the performance of repairs by someone not authorized by JBL; claims based upon any misrepresentations by the seller; any JBL product on which the serial number has been defaced, modified or removed.

WHO PAYS FOR WHAT?

JBL will pay all labor and material expenses for all repairs covered by this warranty. Please be sure to save the original shipping cartons because a charge will be made if replacement cartons are requested. Payment of shipping charges is discussed in the next section of this warranty.

HOW TO OBTAIN WARRANTY PERFORMANCE

If your JBL product ever needs service, write or telephone us at JBL Incorporated (Attn: Customer Service Department), 8500 Balboa Boulevard, PO. Box 2200, Northridge, California 91325 (818/893-8411). We may direct you to an authorized JBL Service Agency or ask you to send your unit to the factory for repair. Either way, you'll need to present the original bill of sale to establish the date of purchase. Please do not ship your JBL product to the factory without prior authorization. If transportation of your JBL product presents any unusual difficulties, please advise us and we may make special arrangements with you. Otherwise, you are responsible for transporting your product for repair or arranging for its transportation and for payment of any initial shipping charges. However, we will pay the return shipping charges if repairs are covered by the warranty.

LIMITATION OF IMPLIED WARRANTIES

ALL IMPLIED WARRANTIES, INCLUDING WARRANTIES OF MERCHANTABILITY AND FITNESS FOR PARTICULAR PURPOSE, ARE LIMITED IN DURATION TO THE LENGTH OF THIS WARRANTY.

EXCLUSION OF CERTAIN DAMAGES

JBL'S LIABILITY IS LIMITED TO THE REPAIR OR REPLACEMENT, AT OUR OPTION, OF ANY DEFECTIVE PRODUCT AND SHALL NOT INCLUDE INCIDENTAL OR CONSEQUENTIAL DAMAGES OF ANY KIND. SOME STATES DO NOT ALLOW LIMITATIONS ON HOW LONG AN IMPLIED WARRANTY LASTS AND/OR DO NOT ALLOW THE EXCLUSION OF INCIDENTAL OR CONSEQUENTIAL DAMAGES, SO THE ABOVE LIMITATIONS AND EXCLUSIONS MAY NOT APPLY TO YOU. THIS WARRANTY GIVES YOU SPECIFIC LEGAL RIGHTS, AND YOU MAY ALSO HAVE OTHER RIGHTS, WHICH VARY, FROM STATE TO STATE.

JBL Professional

8500 Balboa Boulevard
Northridge, CA 91325 USA
Visit us online at www.jblpro.com

