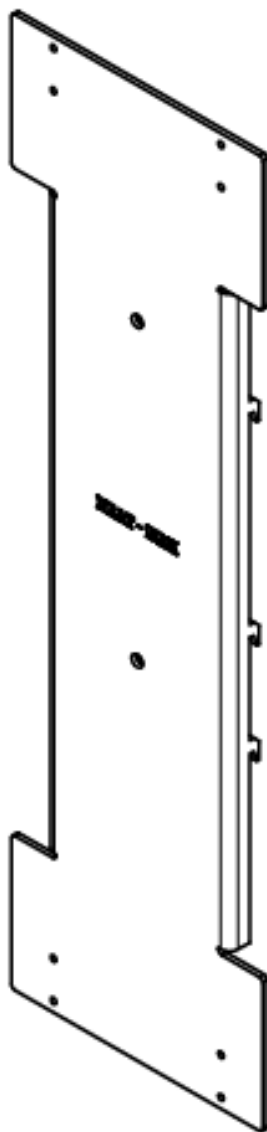




Install Guide

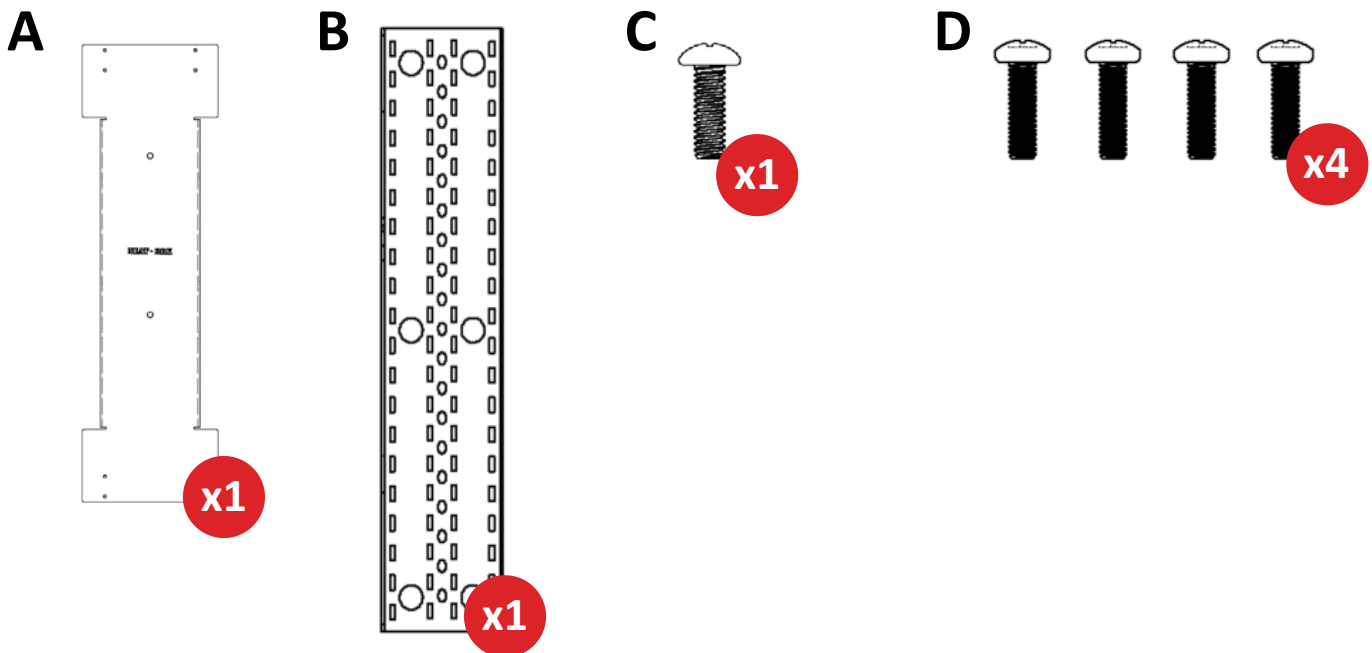
Neat Bar Mount (NEAT-BRK)



PACKAGE CONTENTS

Neat Bar Mount installation requires an Avteq display mount (UM-1 or UM-2 included with Avteq carts, stands, and credenzas) and the Neat Bar Wall Mount/Mount Adapter (included with Neat Bar camera). Please refer to the Neat Bar Camera's user manual for more information.

Included with Neat Bar Mount (NEAT-BRK):



A. [x1] Neat Bar Bracket (NEAT-BRK)

B. [x1] Camera Spine (FS-24, FS-32, or FS-42)

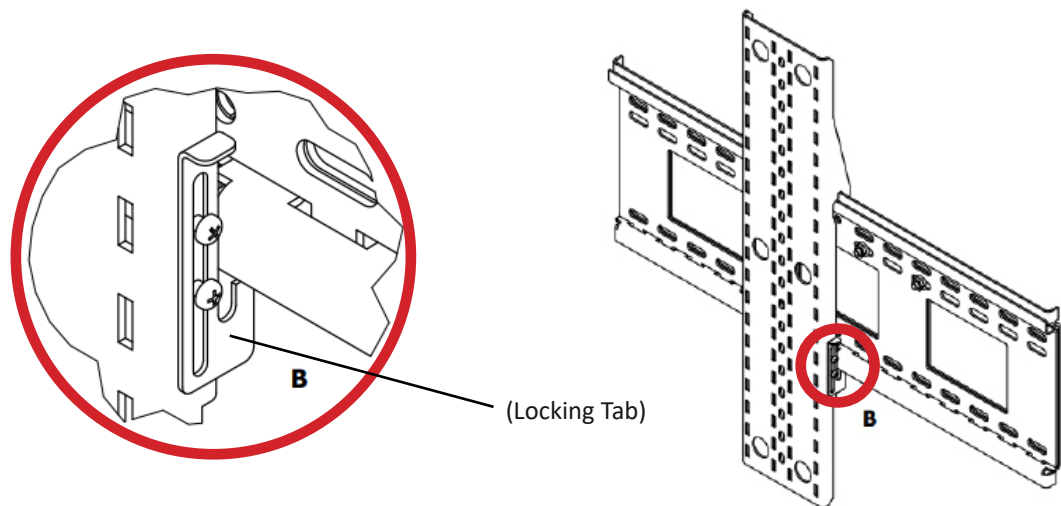
C. [x1] 1/4-20 Screw

D. [x4] M4x0.7 Screw

STEP 1

Attach camera spine

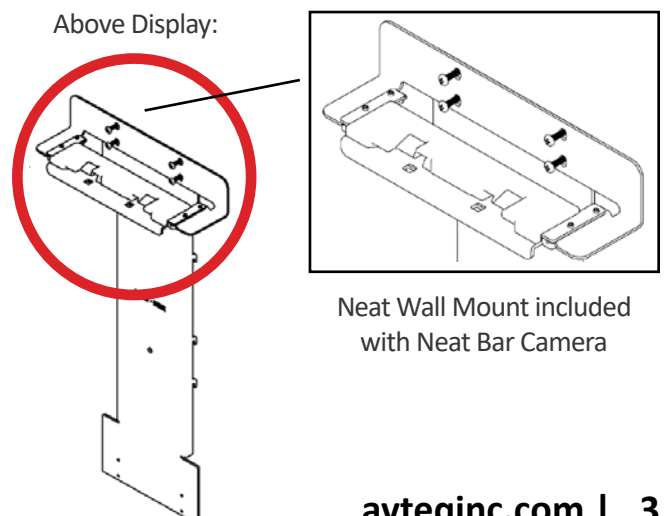
- Remove the screws of the locking tab on the camera spine (B) and center the camera spine vertically on the Avteq display mount.
- Fix position of camera spine using the top hooks on both sides. After positioning, screw in the locking tab. It should be adjusted so that the bottom of the camera spine cannot separate from the bottom of the display mount.



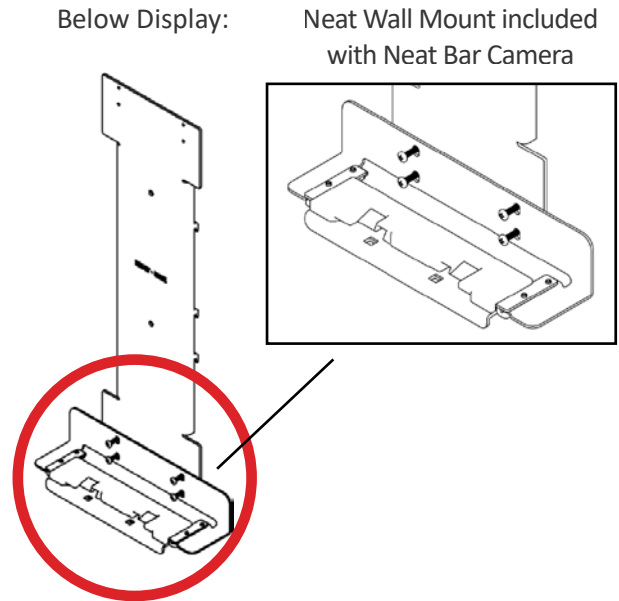
STEP 2

Install Neat Bar wall mount to bracket (NEAT-BRK)

- Refer to Neat Bar Camera's user manual for instructions on how to assemble the wall mount included with the Neat Bar camera.
- **To Position Camera Above Display:** Attach Neat provided wall mount to the top front of Avteq's Neat Bar Bracket (A). Slide Avteq's bracket mount so that the **top** 4 thread holes line up with the 4 beveled holes in the Neat wall mount. Use M4 screws (D) [x4] provided to secure the Neat wall mount to the Neat Bar Bracket.



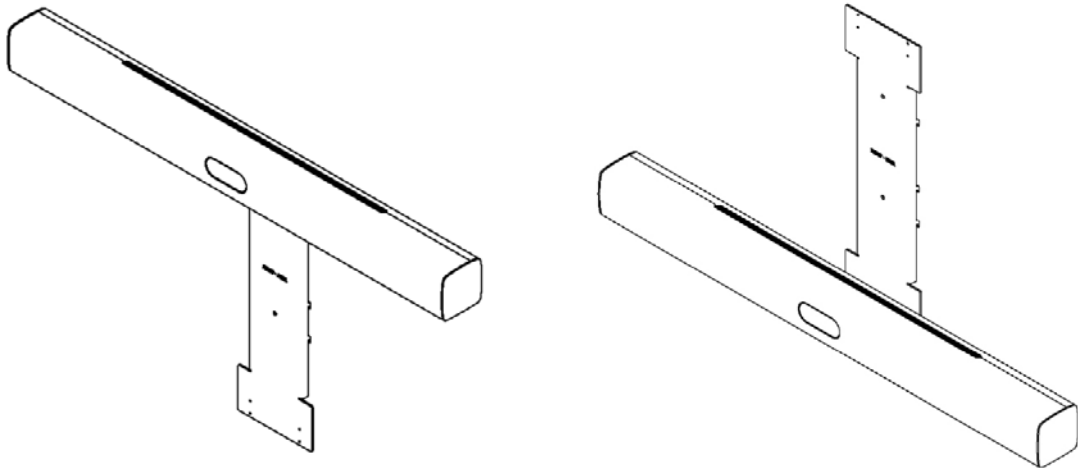
- To Position Camera Below Display:**
 Attach Neat provided wall mount to the bottom front of Avteq's Neat Bar Bracket (A). Slide Avteq's bracket mount so that the **bottom** 4 thread holes line up with the 4 beveled holes in the Neat wall mount. Use M4 screws (D) [x4] provided to secure the Neat wall mount to the Neat Bar Bracket.



STEP 3

Attach Neat Bar camera to Neat Bar wall mount

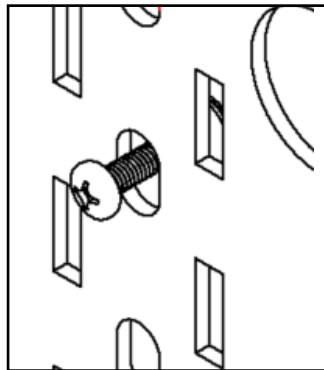
- Slide Neat Bar camera to the wall mount for it to hook and attach to the base of the camera.



STEP 4

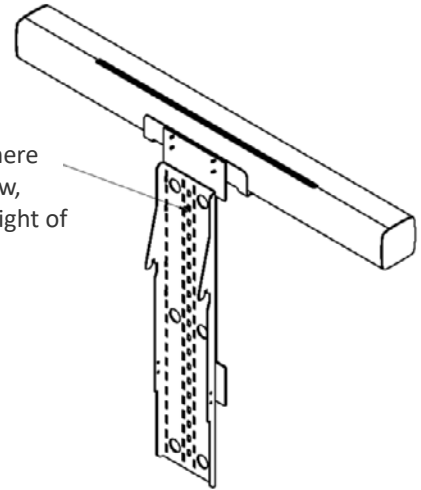
Secure bracket (NEAT-BRK)

- Hang the Neat Bar Bracket on the camera spine at the desired height with its hooks to mount the camera either above or below the display.
- Lock in position using a 1/4-20 screw (C) [x1]. Insert in open hole from behind the mount.



(Rear View)

Insert 1/4-20 screw here
or an open hole below,
depending on the height of
the display



***TIP:**

- When hanging the mount bracket (NEAT-BRK), consider the height of the display to ensure the mount bracket is peaking out either above or below the display.

Have a question?

Contact us at support@avteqinc.com