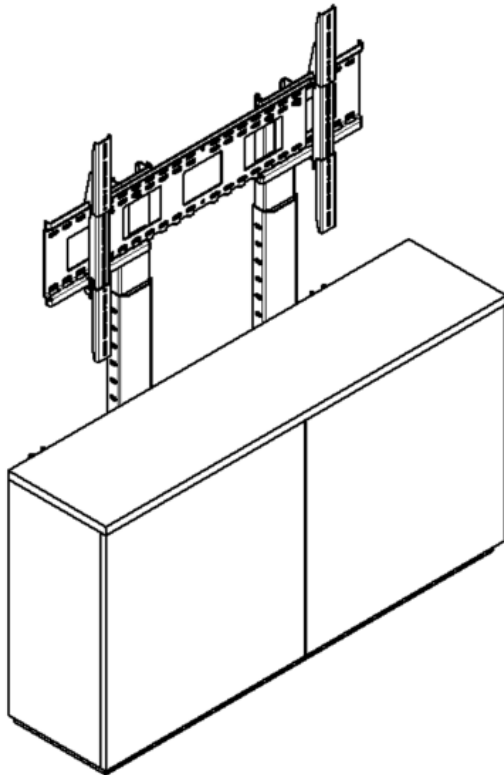




Install Guide | Thin Credenzas

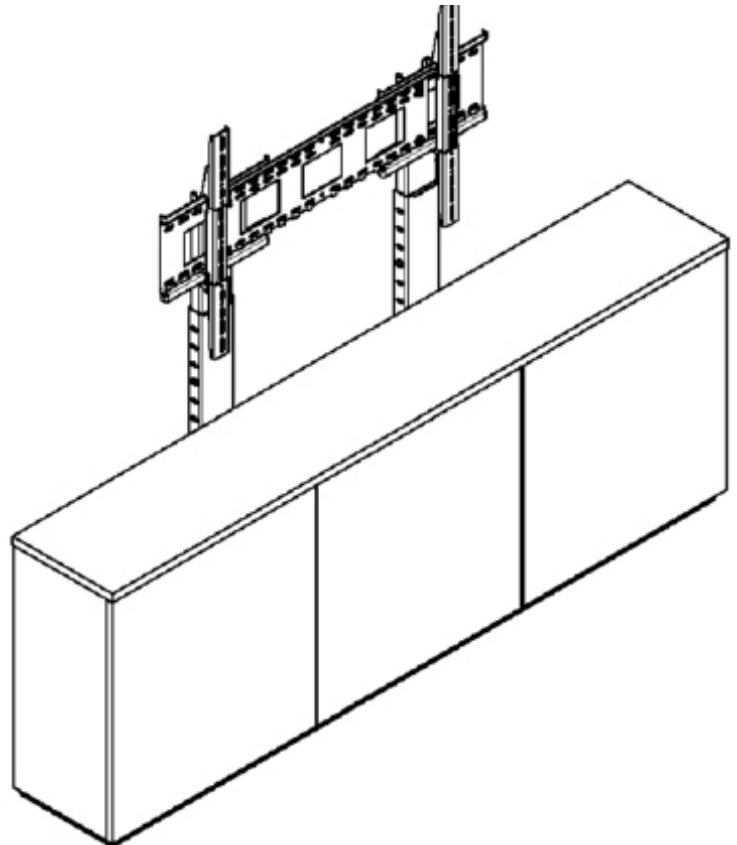
Thin 2-Bay Credenza

CRED2LTHIN-S
CRED2VTHIN-S
CRED2LTHIN-D
CRED2VTHIN-D



Thin 3-Bay Credenza

CRED3LTHIN-S
CRED3VTHIN-S
CRED3LTHIN-D
CRED3VTHIN-D
CRED3LTHIN-DX
CRED3VTHIN-DX



DISCLAIMER

Avteq, Inc. follows the furniture industry standard of the 3' rule with wood grain HPL surfaces. This calls for any inspection of the finish to be done from 3' away on any wood grain HPL surface for any imperfections.

Avteq strives to create an accurate and comprehensive manual. However, we do not assert that the information provided herein covers every detail, condition, or variation. Nor does it account for all possible contingencies related to the installation or use of this product. The content within this document is subject to change without prior notice or any binding obligation. Avteq makes no explicit or implied warranty regarding the information contained in this document. Avteq assumes no responsibility for its accuracy, completeness, or adequacy. Users should exercise due diligence and seek professional advice as needed.

⚠ WARNING: This credenza must be secured and anchored to the wall to prevent tipping or accidental displacement. Failure to do so may result in injury or damage.

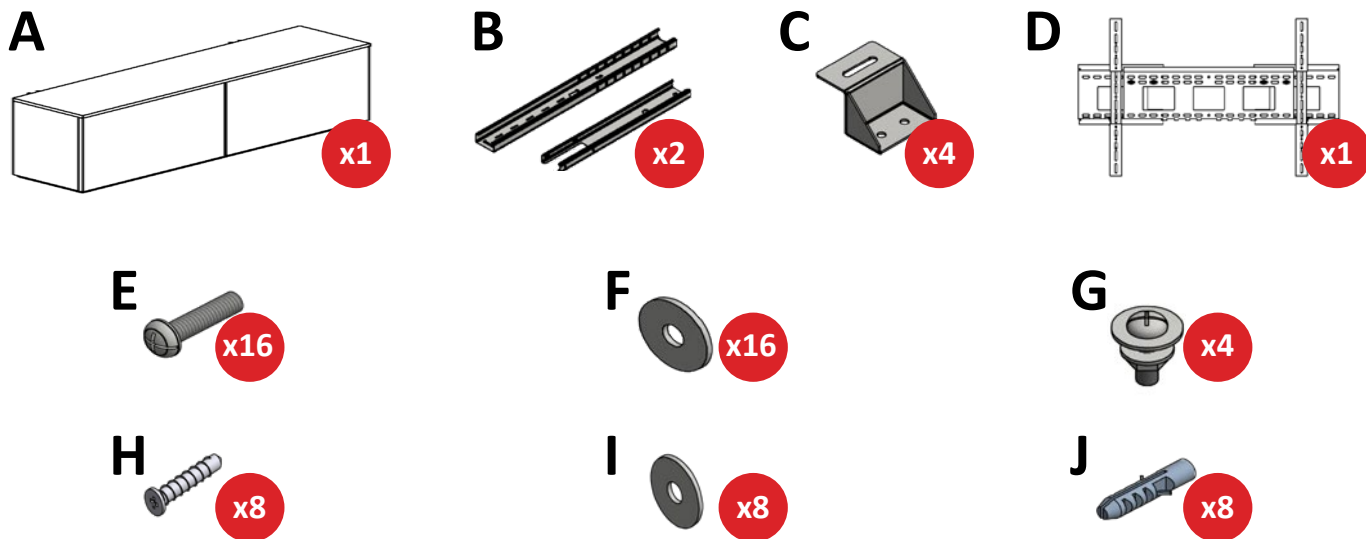
⚠ WARNING: Do not exceed the weight of 450lbs. Exceeding the weight capacity can result in serious personal injury or damage to equipment. It is the installer's responsibility to make sure the combined weight of all components located on the credenza does not exceed 450 lbs (204.1 kg).

⚠ WARNING: Use this mounting system only for its intended use as described in these instructions. Do not use attachments not recommended by the manufacturer.

⚠ WARNING: Do not use this product outdoors.

PACKAGE CONTENTS

Included with Thin Credenzas:



A. Credenza [x1]

D. Display mount kit [x1]

G. 1/4"x1 1.4" display mount screw [x4]

J. Wall anchor [x8]

B. Uprights [x2]

E. 5/16"x1 1/4" screw [x16]

H. M8X70 screw [x8]

C. Wall plate [x4]

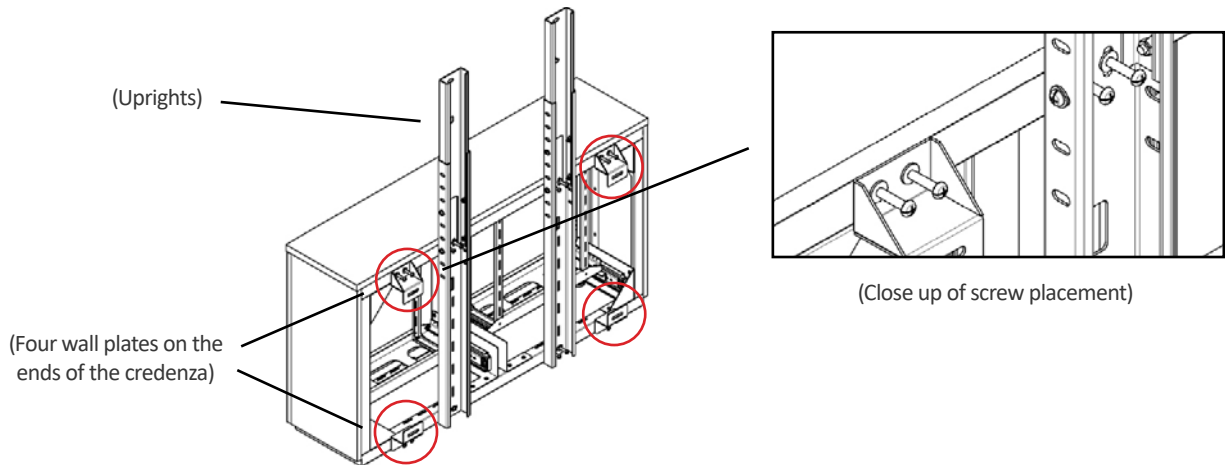
F. 5/16" washer [x16]

I. M8X70 washer [x8]

STEP 1

Secure uprights and wall plates to credenza

- Install the [x2] uprights (B) to the back of the credenza (A) using [x8] 5/16"x1 1/4" screws (E) and [x8] 5/16 washers (F). Align holes of the uprights with the credenza's center holes and screw from the base of the upright and middle section of the uprights.
- Install the [x4] wall plates (C) with [x8] 5/16"x1 1/4" screws (E) and [x8] 5/16 washers (F) beside the uprights. There should be one wall plate on top and bottom of both ends of the credenza.

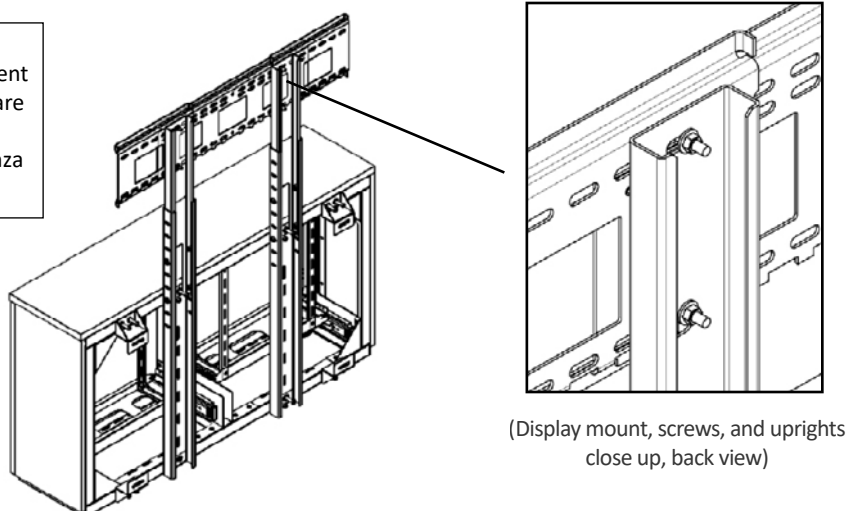


STEP 2

Secure the display mount to the credenza

- Remove the back washer and nut from the [x4] 1/4" display mount screws (G).
- Insert [x4] 1/4" display mount screws (G) through the front of the display mount (D). To attach the display mount to the credenza uprights (B), add the washer and nut to the back of the uprights and tighten the screws.

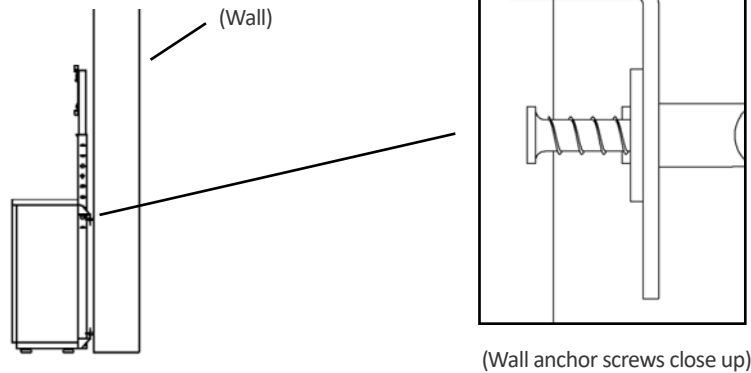
Tip: The credenza uprights are adjustable to accommodate different size displays. Ensure the uprights are at the best height for the desired display before securing the credenza to the wall.



STEP 3

Anchor the credenza to the wall

- Insert [x8] wall anchors (J) into the wall, aligning with the credenza wall plates.
- Secure the wall plates to the wall using [x8] M8X70 screws (H) and [x8] M8x70 washers (I).



STEP 4

Attach display uprights

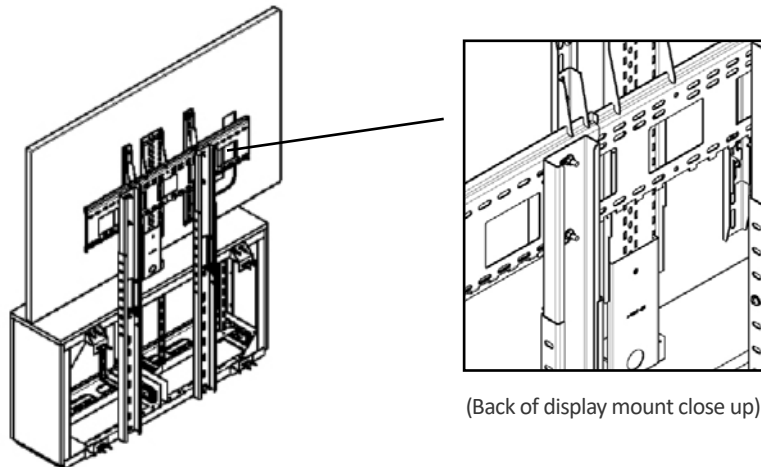
NOTE: If you purchased an Avteq camera mount, please refer to the assembly guide for the mount. If you are using a camera mount that attaches to the back of the display, make sure you install first before securing the display to the credenza.

- Attach the display uprights to the back of the display following the provided Avteq display mount kit instructions.

STEP 5

Secure display to credenza

- Hang the display(s) on the display mount and secure following the provided Avteq display mount kit instructions.



Have a question?

Contact us at support@avteqinc.com