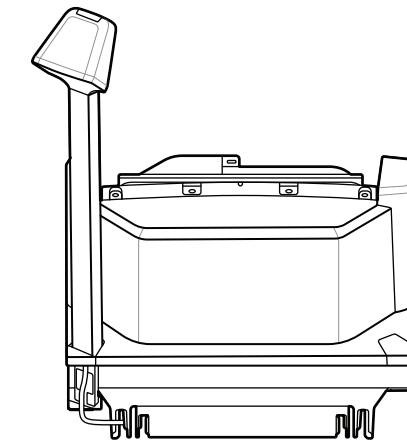


MP72

Customer Facing Scanner

Installation Guide



Zebra Technologies | 3 Overlook Point | Lincolnshire, IL 60069 USA

zebra.com

ZEBRA and the stylized Zebra head are trademarks of Zebra Technologies Corp., registered in many jurisdictions worldwide. All other trademarks are the property of their respective owners.

© 2024 Zebra Technologies Corp. and/or its affiliates. All rights reserved.

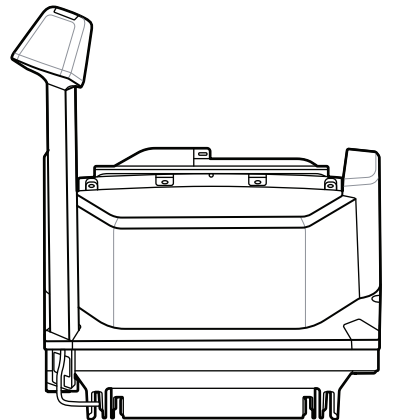
Installing the Customer Facing Scanner

The Customer Facing Scanner (CFS) is an optional integrated device for the MP72 that supports scanning barcodes, coupons, and loyalty cards from customers' mobile phones and paper.

Mount the CFS on either side of the MP72 and connect it to the USB-A port on the main PCB on the bottom of the MP72.



NOTE: The CFS kit MX72-SR000WW includes left and right brackets. Choose the bracket according to the CFS mounting side.

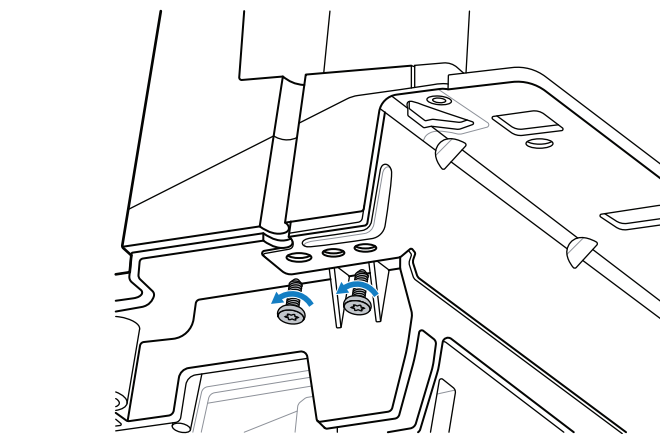


Installing the CFS Bracket

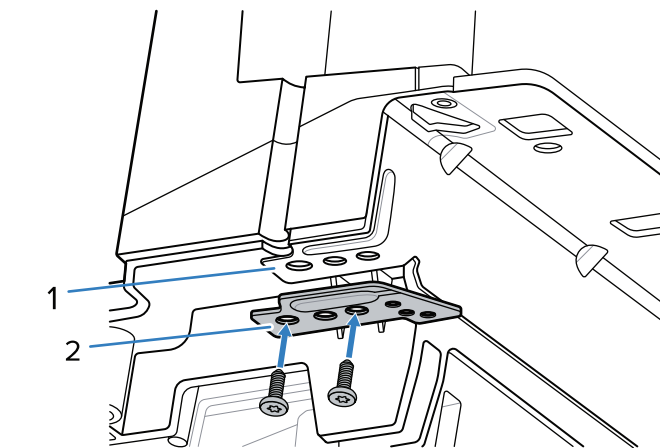
CFS bracket holes align with corresponding openings on the MP72 flange for the long configuration, or on the MP72 lower housing for the short and medium (flangeless) configurations.

Long (Flanged) Configuration

1. Remove the two screws on the MP72 flange.

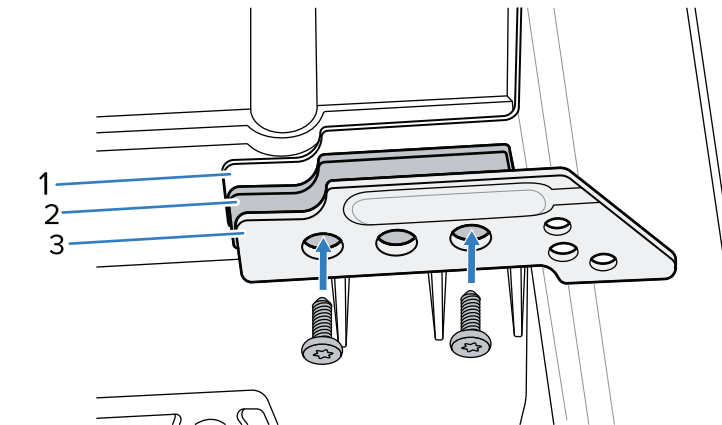


2. Secure the CFS bracket (2) to the flange (1) using the two flange screws. Torque screws to 12 +/- 0.25 in-lb.



Short or Medium (Flangeless) Configuration

Place the spacer (2) between the CFS bracket (3) and MP72 chassis (1), and secure using the two screws provided with the CFS. Torque to 12 +/- 0.25 in-lb.

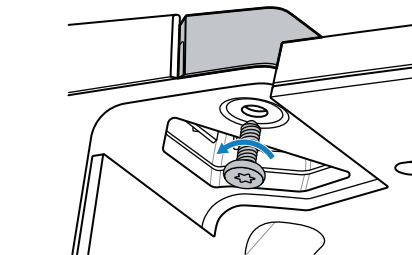


Replacing the Filler Cap

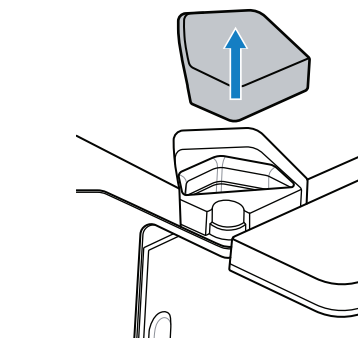


NOTE: The CFS kit includes left and right filler caps. Select the correct one according to the CFS mounting side, as shown below in **Step 3**.

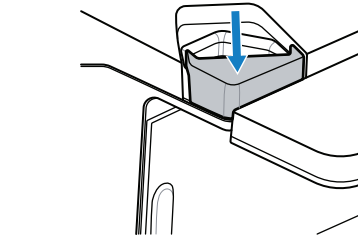
1. Remove the MP72 filler cap mounting screw.



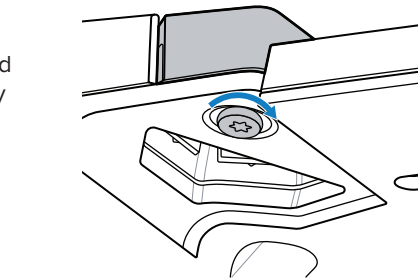
2. Remove the MP72 filler cap.



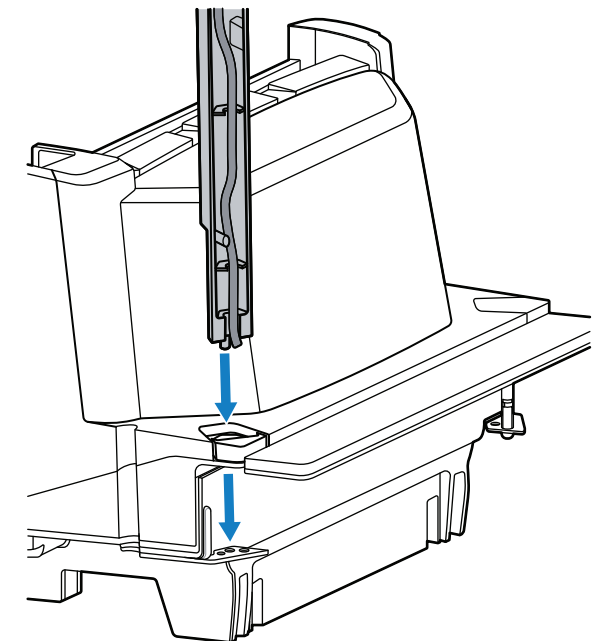
3. Insert the CFS filler cap and hold in place.



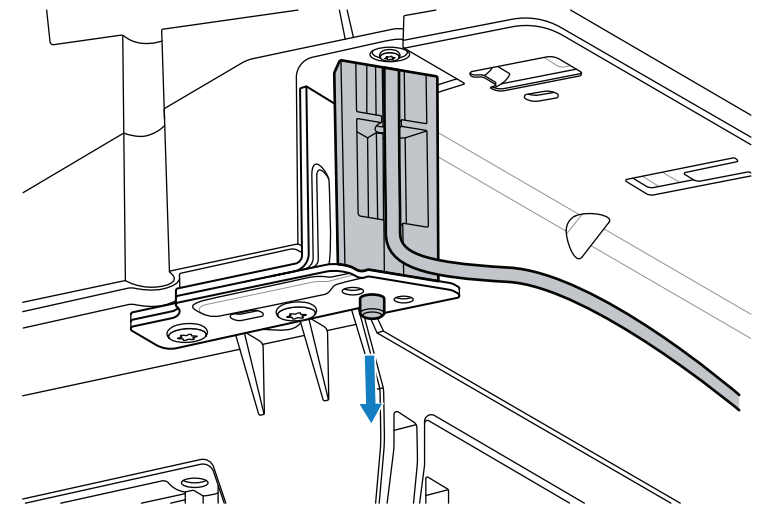
4. Install the filler cap screw and tighten until the filler cap is fully seated.



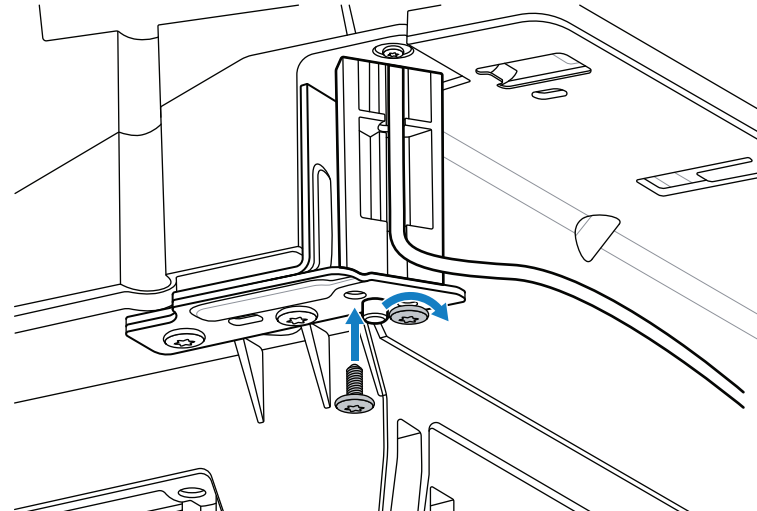
1. Route the USB cable from the CFS through the opening in the MP72, ensuring the cable is vertical in the pole slot.



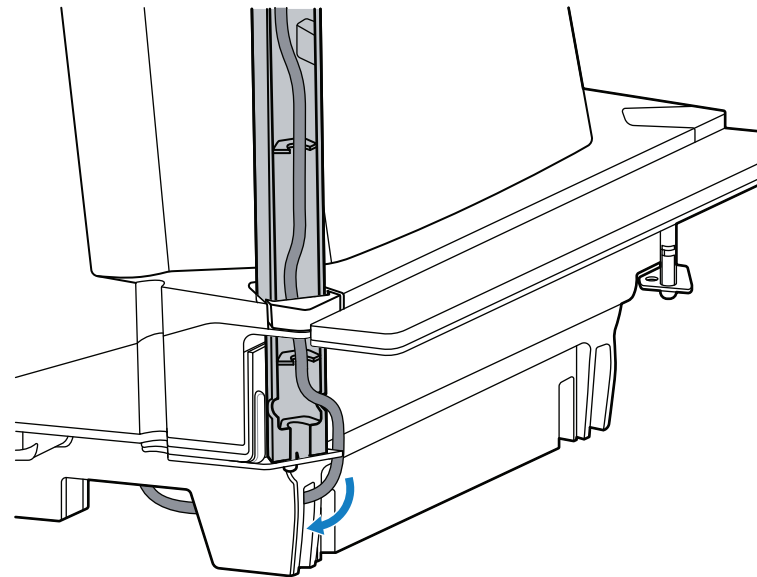
2. Guide the CFS pole so the alignment pin on the pole enters the mating hole on the bracket.



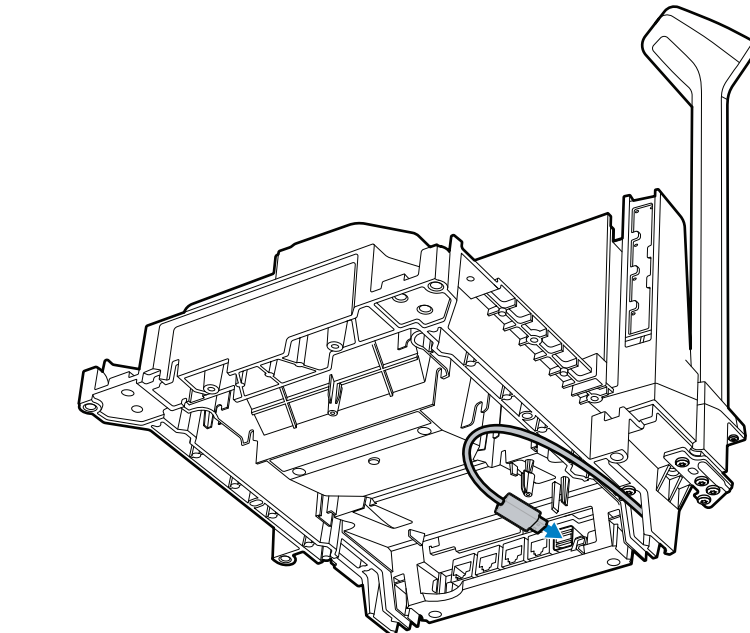
3. Attach the two screws to mount the CFS pole to the bracket, and torque to 12 +/- 0.25 in-lb.




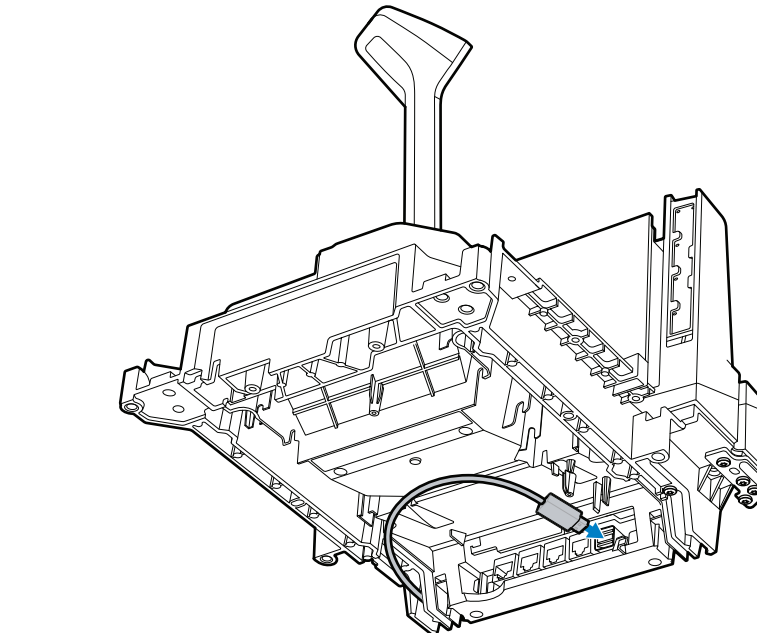
4. Route the USB cable towards the MP72, through an open guiding slot in the CFS mount, pulling the cable taut when routing so it remains in the CFS pole slot after installation.




5. Connect the USB cable to an open USB port.



 **NOTE:** If the CFS is mounted on opposite side of the MP72, the USB cable routes from the other direction.




 View user documentation.
zebra.com/mp72-info

 Join Community Connection of Zebra users and ambassadors.
zebra.com/supportcommunity



 Contact Zebra about your product.
zebra.com/contact

 View Quick Answers and Knowledge Base.
zebra.com/knowledge



 Learn about product patent information.
ip.zebra.com

