



WWW.GVISION-USA.COM

I32ZI-OQ SERIES USER'S MANUAL

LARGE FORMAT TOUCHSCREEN MONITOR

GVISION USA, INC
30398 Esperanza, Rancho Santa Margarita CA 92688 / 949.586.3338 / info@gvision-usa.com

Important Information



WARNING



TO PREVENT FIRE OR SHOCK HAZARDS, DO NOT EXPOSE THIS UNIT TO RAIN OR MOISTURE. ALSO, DO NOT USE THIS UNIT'S POLARIZED PLUG WITH AN EXTENSION CORD RECEPTACLE OR OTHER OUTLETS UNLESS THE PRONGS CAN BE FULLY INSERTED.

REFRAIN FROM OPENING THE CABINET AS THERE ARE HIGH VOLTAGE COMPONENTS INSIDE. REFER SERVICING TO QUALIFIED SERVICE PERSONNEL.



CAUTION



TO REDUCE THE RISK OF ELECTRIC SHOCK, MAKE SURE POWER CORD IS UNPLUGGED FROM WALL SOCKET. TO FULLY DISENGAGE THE POWER TO THE UNIT, PLEASE DISCONNECT THE POWER CORD FROM THE AC OUTLET. DO NOT REMOVE COVER (OR BACK). NO USER SERVICEABLE PARTS INSIDE. REFER SERVICING TO QUALIFIED SERVICE PERSONNEL.



This symbol warns user that uninsulated voltage within the unit may have sufficient magnitude to cause electric shock. Therefore, it is dangerous to make any kind of contact with any part inside this unit.



This symbol alerts the user that important literature concerning the operation and maintenance of this unit has been included. Therefore, it should be read carefully in order to avoid any problems.

CAUTION: Please use the power cord provided with this display in accordance with the table below. If a power cord is not supplied with this equipment, please contact GVISION. For all other cases, please use the power cord with the plug style that matches the power socket where the monitor is located. The compatible power cord corresponds to the AC voltage of the power outlet and has been approved by, and complies with, the safety standards in the country of purchase.

**When operating this monitor with its AC 125-240V power supply, use a power supply cord that matches the power supply voltage of the AC power outlet being used.*

Care and Cleaning

- Always unplug your monitor from the wall outlet before cleaning. Clean the LCD monitor surface with a lint-free, non-abrasive cloth. Avoid using any liquid, aerosol or glass cleaners.
- Slots and openings on the back or top of the cabinet are for ventilation. They must not be blocked or covered. Your monitor should never be placed near or over a radiator or heat source, or in a built-in installation unless proper ventilation is provided.
- Never push objects or spill liquid of any kind into this product.

Safety Precautions / Maintenance

- Do not use this apparatus near water.
- Clean only with dry cloth.
- Do not block any ventilation openings. Install in accordance with the manufacturer's instructions.
- Do not install near any heat sources such as radiators, heat registers, stoves, or other apparatus (including amplifiers) that produce heat.
- Do not defeat the safety purpose of the polarized or grounding-type plug. A polarized plug has two blades with one wider than the other. A grounding type plug has two blades and a third grounding prong. The wide blade or the third prong are provided for your safety. If the provided plug does not fit into your outlet, consult an electrician for replacement of the obsolete outlet.
- Protect the power cord from being walked on or pinched particularly at plugs, convenience receptacles, and the point where they exit from the apparatus.
- Only use attachments/accessories specified by the manufacturer.
- Use only with the cart, stand, tripod, bracket, or table specified by the manufacturer, or sold with the apparatus. When a cart is used, use caution when moving the monitor combination to avoid injury from tip-over.
- Unplug monitor during lightning storms or when unused for long periods of time.
- Refer all servicing to qualified service personnel. Servicing is required when the apparatus has been damaged in any way, such as power-supply cord or plug is damaged, liquid has been spilled or objects have fallen into the apparatus, the monitor has been exposed to rain or moisture, does not operate normally, or has been dropped.
- Do not press strongly upon the panel with a hand or a sharp object such as a nail, pencil, or pen, or make a scratch on it.
- Do not stick metal objects or any other conductive material into the power cord. Do not touch the end of the power cord while it is plugged in.
- Keep the packing anti-moisture material or vinyl packing out of the reach of children. Anti-moisture material is harmful if swallowed. If swallowed, induce vomiting and go to the nearest hospital. Additionally, vinyl packing can cause suffocation. Keep it out of the reach of children.
- Concerning the Power Cord (Can differ by country): Check the specification page of this owner's manual to be certain concerning current requirements. Do not connect too many devices to the same AC power outlet as this could result in fire or electric shock. Do not overload wall outlets. Overloaded wall outlets, loose or damaged wall outlets, extension cords, frayed power cords, or damaged or cracked wire insulation are dangerous. Any of these conditions could result in electric shock or fire. Periodically examine the cord of your device, and if its appearance indicates damage or deterioration, unplug it, discontinue use of the device, and have the cord replaced with an exact replacement part by an authorized servicer. Protect the power cord from physical or mechanical abuse, such as being twisted, kinked, pinched, closed in a door, or walked upon. Pay particular attention to plugs, wall outlets, and the point where the cord exits the device. Do not move the monitor with the power cord plugged in. Do not use a damaged or loose power cord. Be sure do grasp the plug when unplugging the power cord. Do not pull on the power cord to unplug the monitor.
- To reduce the risk of fire or electrical shock, do not expose this product to rain, moisture or other liquids. Do not touch the screen with wet hands. Do not install this product near flammable objects such as gasoline or candles, or expose the TV to direct air conditioning.
- Do not use high voltage electrical equipment near the TV (e.g., a bug zapper). This may result in product malfunction.
- Do not expose to dripping or splashing and do not place objects filled with liquids, such as vases, cups, etc. on or over the apparatus (e.g., on shelves above the unit).
- Do not attempt to modify this product in any way without written authorization from GVISION. Unauthorized modification could void the user's authority to operate this product.
- **Moving:** Make sure the product is turned off, unplugged, and all cables have been removed.
- If you smell smoke or other odors coming from the screen, unplug the power cord and contact an authorized service center.
- If water or another substance enters the product (like an AC adapter, power cord, or unit), disconnect the power cord and contact the service center immediately. Otherwise, this may result in fire or electric shock.

Table of Contents

1. General Description.....	5
2. Measurement Setup.....	6
3. OSD Functions.....	6
3.1 OSD Key Instruction.....	6
3.2 OSD Menu.....	7
3.2.1 Brightness.....	7
3.2.2 Image.....	7
3.2.3 Color Temp.....	8
3.2.4 OSD Setting.....	8
3.2.5 Reset.....	9
3.2.6 MISC.....	9
4. Installing the Monitor.....	10
5. Troubleshooting.....	11
6. Specifications.....	12
7. Dimensions.....	13

1 General Description

1.1 Overview

The 32" zero bezel monitor is engineered for commercial and industrial applications, including kiosks, digital signage, military, security, industrial equipment, and instrumentation. This product delivers high brightness and contrast for superior viewing performance and offers robust reliability under diverse environmental conditions.

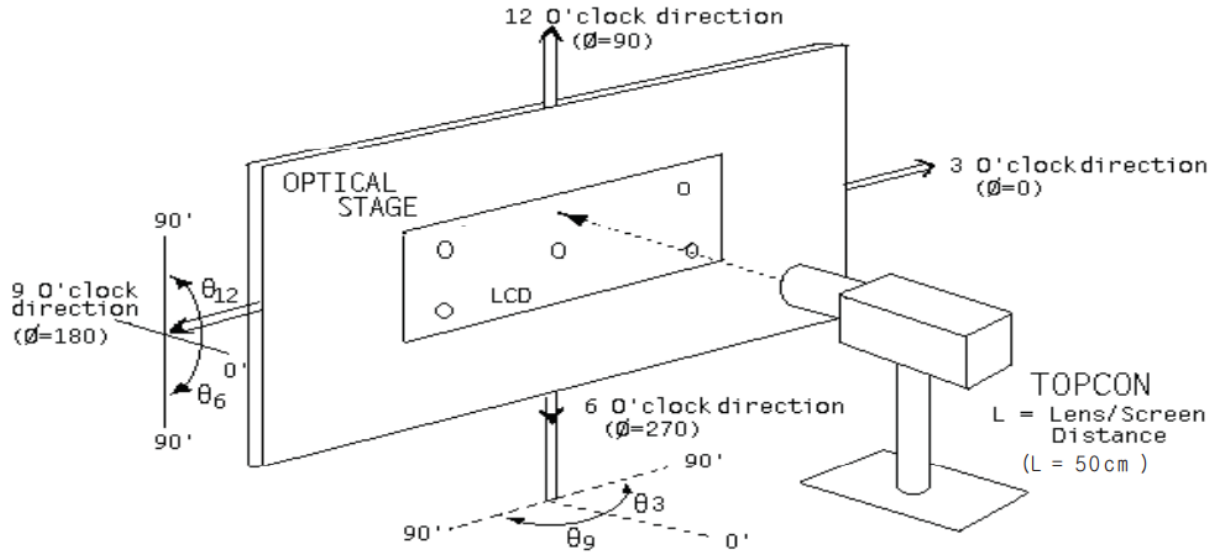
1.2 Features

- 1mm ultra-thin bezel thickness.
- LED backlight.
- 350 Nits sunlight readable display.
- WUXGA (3840 x RGB x 2160 pixels) 4K Ultra HD resolution.
- VA mode with wide viewing angle.
- Projected Capacitive PCAP 10-point touchscreen
- RoHS Compliance.
- 5 keys OSD controls.
- USB Type-B Connector.
- DP / HDMI Video Input and auto detection video system.

1.3 Application

Ideal for industrial applications, particularly for kiosk and public signage displays.

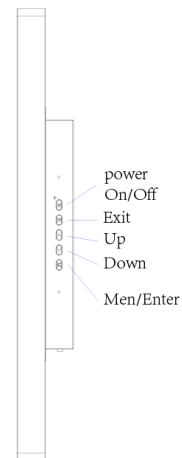
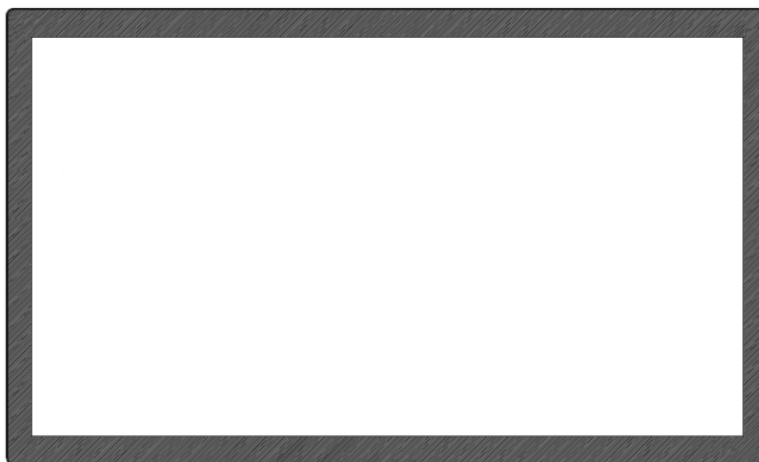
2 Measurement Setup



The LCD module should be stabilized at the specified temperature for 40 minutes to prevent abrupt temperature changes during measurement.

3 OSD Functions

3.1 OSD Key Instruction



3.2 OSD Menu

3.2.1 Brightness



Sub-Menu	Sub Sub-Menu	Description
BRIGHTNESS	None	Adjusts display brightness
CONTRAST	None	Adjusts display contrast ratio
ECO	STANDARD	Normal use mode
	TEXT	Text application mode
	GAME	Game application mode
	MOVIE	Movie playing application mode
DCR	ON	Enables DCR
	OFF	Disables DCR

3.2.2 Image



Sub-Menu	Sub Sub-Menu	Description
H.POSITION	None	Adjusts the picture horizontal position
V.POSITION	None	Adjusts the picture vertical position
CLOCK	None	Adjusts the picture clock to reduce the vertical noise
PHASE	None	Adjusts the picture phase to reduce the horizontal noise
ASPECT	AUTO	Auto checks and adjusts the image display aspect ratio
	WIDE	Adjusts the image aspect ratio as wide-screen mode
	4:3	Adjusts the image aspect ratio as 4:3 mode

3.2.3 Color Temp.



Sub-Menu	Sub Sub-Menu	Description
COLOR TEMP.	WARM	Set as warm color temperature
	COOL	Set as cold color temperature
	USER	Set as user color temperature
RED	None	Finely tunes red color temperature
GREEN	None	Finely tunes green color temperature
BLUE	None	Finely tunes blue color temperature

3.2.4 OSD Setting



Sub-Menu	Sub Sub-Menu	Description
LANGUAGE	None	Selects the language displayed by OSD menu (English, French, German, Simplified Chinese, Italian, Spanish, Portuguese, Turkish, Polish, Dutch, Russian, Korean)
OSD H.POS.	None	Adjusts OSD horizontal position
OSD V.POS.	None	Adjusts OSD vertical position
OSD TIMER	None	Adjusts OSD display time
TRANSPARENCY	None	Adjusts OSD transparency

3.2.5 Reset



Sub-Menu	Sub Sub-Menu	Description
IMAGE AUTO ADJUST	None	Auto adjusts the horizontal/vertical position, focus and clock of the image
RESET	None	Restore to factory setting
AUTO POWERDOWN (Disabled)	None	Select energy-saving, automatic shutdown in 1min. without any signal input

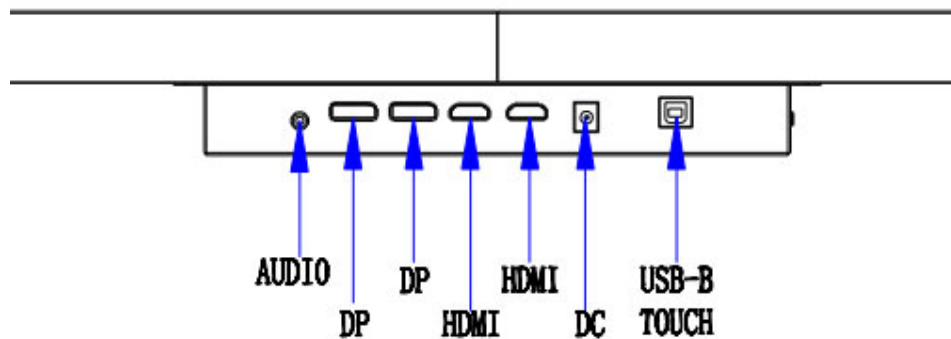
3.2.6 MISC



Sub-Menu	Sub Sub-Menu	Description
HOTKEY TYPE	ECODCR	Any selected item is Hotkey. The first two are available for all models; ASP+ECO is only available for wide-screen model; SOU +VOL is respectively used to switch input signal and adjust the volume.
SIGNAL SOURCE	VGA	VGA (analog) signal input (option)
	DVI	DVI (digital) signal input (option)
	HDMI	HDMI signal input (option)

4 Installing the Monitor

Customer ports and instruction as below.



If the computer is on, you must turn it off before proceeding.
Do not plug in or power on the monitor until instructed.\

1. Attach the monitor base (By pass)
2. Connect the PC video cable.
3. Connect the power cable to the monitor.
4. Route the cables via the cable clip.
5. Connect-to and turn-on the power.

Special Note:

1. If the video card cannot display properly at your current resolution, please adjust the resolution to a 16:9 format (e.g., 3840x2160).
2. When the monitor is continuously operating, the chassis will feel warm.

5 Troubleshooting

If you encounter issues with the monitor or it isn't working properly, please follow these instructions before requesting repairs.

Trouble	Suggestions
The picture does not appear	<ul style="list-style-type: none"> • Check to see that all the I/O and power cables is firmly seated in the socket. • Check the power LED is lighting when the monitor was turned on. • Check if the brightness control is at the appropriate position, not at the minimum.
The screen is not synchronized	<ul style="list-style-type: none"> • Check if the I/O signal cable is firmly seated in the socket. • Check if the output level matches the input level. • Make sure the signal timings of the computer system are within the specification of the monitor.
The position of the screen is not in the center	<ul style="list-style-type: none"> • Adjust the H-position, and V-position, or perform the auto adjustment or memory recall.
The screen is too bright (too dark)	<ul style="list-style-type: none"> • Check if the brightness or contrast control is at the appropriate position.
The screen is shaking or waving	<ul style="list-style-type: none"> • Press the auto adjustment control to adjust. Moving all objects which emit a magnetic field such as motor or transformer, away from the monitor. Check if the specific voltage is applied. • Check if the signal timing of the computer system is within the specification of monitor.

If you can't resolve the issue using this chart, stop using the monitor and contact us

Email: rma@gvision-usa.com

Phone: 888-651-9688 (toll-free) / 949-586-3338

6 Specifications

MODEL	I32ZI-OQ-45PG	I32ZI-OQ-45PS	I32ZI-OQ-45PT
Screen Size	32		
Resolution	3840 x 2160		
Display Area (mm)	698.40 (H) x 392.85 (V)		
Brightness (MAX)	350cd/m ²		
Response Time (Typical)	9.5ms		
Aspect Ratio	16:9		
Contrast Ratio	3000:1		
Display Color	1.073G		
INTERFACE			
Ports	HDMI x2, DP x2, Audio x1, USB Type-B x1		
TOUCH TECHNOLOGY			
Type / Point / Glass	Projected Capacitive PCAP / 10-Point / 3mm Strengthen Glass		
ADVANTAGES			
Features	Yes / Full Optical Bonding		
CABINET			
Color/Material	Black/Metal Housing		
POWER			
Electrical Rating	AC 100V ~ 240V, 50/60Hz		
TEMPERATURE			
Operating/Storage	32° F ~ 122° F (0° C ~ 50° C) / -4° F ~ 140° F (-20° C ~ 60° C)		
HUMIDITY			
Operating/Storage	10% ~ 80% / 5% ~ 95%		
VESA™			
Mount Size (mm)	200 x 200		
REGULATION			
Certification	CE/FCC		
COMPLIANT			
TAA	N/A	Yes	Yes
SILK SCREEN			
Logo	Yes	N/A	Yes

Panel and specifications subject to change without notice.

7 Dimensions

Unit: mm

