

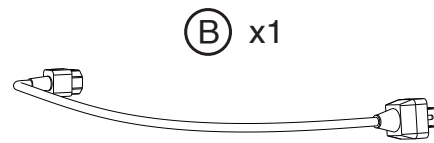
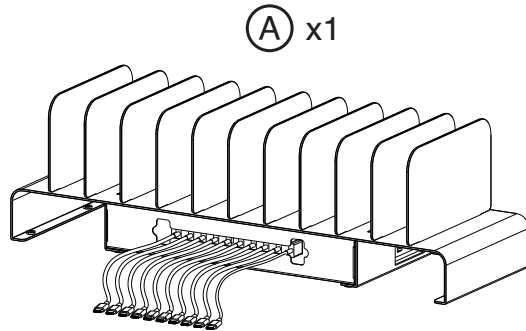


# 10 Slot Gang Charger with 12 Ports for Additional

CP-10GANGALB

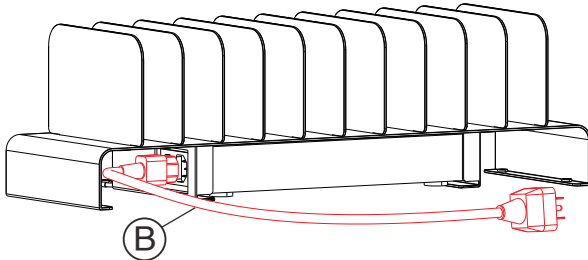
## INSTRUCTION - MANUAL

### CONTENTS:

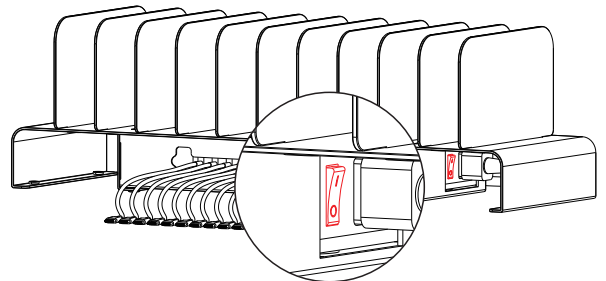


### INSTALLATION:

#### 1. Attaching power cord to dock:

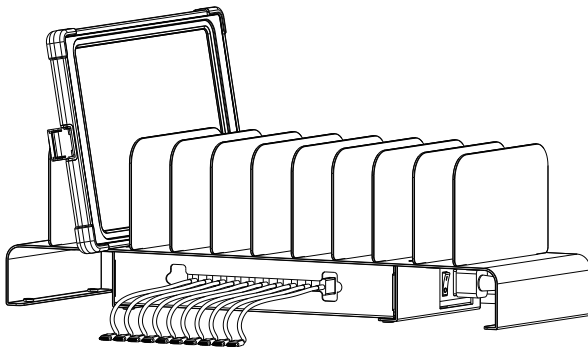


1A. Take the power cord (B) and plug small end into the dock (A) and the other end to the power source.



1B. Locate power switch and turn it on to make sure the current flows through the charging station.

#### 2. When Charging a Tablet:



2A. When your tablet is low on charge place it in one of the charging spots, locate any available charging cable and plug it into the tablet port, you should see immediately your device charging, then wait until fully charged.

