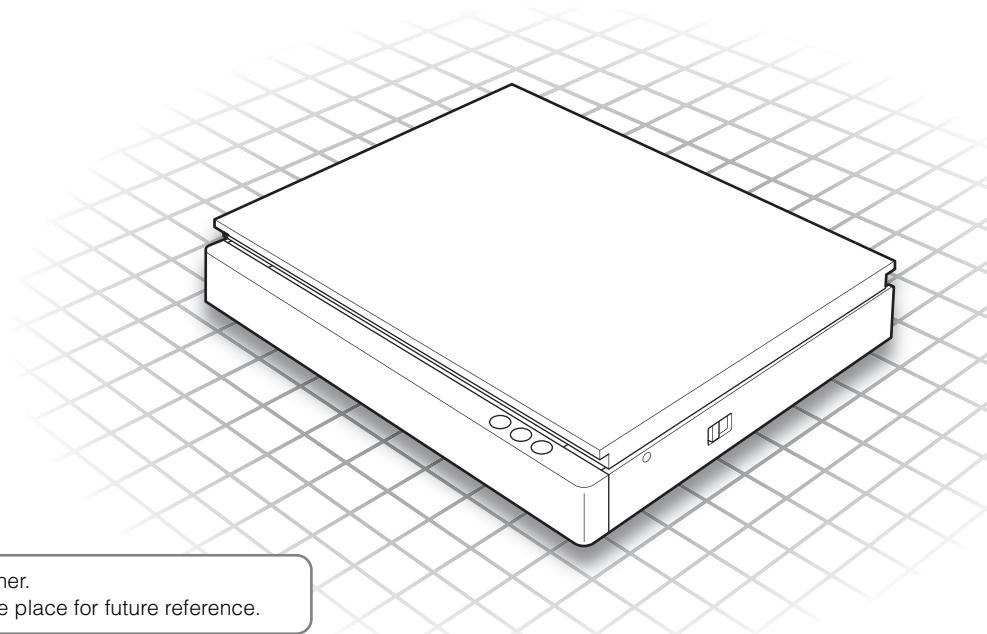


User Manual



- Please read this manual before operating this scanner.
- After you finish reading this manual, store it in a safe place for future reference.

■ ENERGY STAR® Office Equipment Program



This program is for U.S.A and Canada. As an ENERGY STAR® Partner, CANON ELECTRONICS INC. has determined that this machine meets the ENERGY STAR® Program guidelines for energy efficiency.

The ENERGY STAR® Office Equipment Program is an international program that promotes energy saving through the use of computers and other office equipment. The program backs the development and dissemination of products with functions that effectively reduce energy consumption. It is an open system in which business proprietors can participate voluntarily. The targeted products are office equipment, such as computers, monitors, printers, fax, machine, copiers, and scanners. The standards and logos are uniform among participating nations. This model doesn't provide setting options for power management.

■ Only for India



This product is not to be disposed of with your household waste, according to the E-Waste (Management) Rules, 2016.

This product should be handed over to a designated collection point, e.g., to an authorized collection site for recycling waste electrical and electronic equipment (EEE).

For more information regarding return and recycling of WEEE products, please visit <https://in.canon/en/consumer/web/e-waste> or write to us at cipl.ewaste@canon.co.in.

■ Trademarks

- Canon and the Canon logo are registered trademarks of Canon Inc. in the United States and may also be trademarks or registered trademarks in other countries.
- Microsoft and Windows are registered trademarks of Microsoft Corporation in the United States and other countries.
- ISIS is a registered trademark of OpenText in the United States.
- Intel and Pentium are registered trademarks of Intel Corporation.
- imageFORMULA is a trademark of CANON ELECTRONICS INC.
- QR Code is a registered trademark of DENSO WAVE INCORPORATED in Japan and in other countries.
- Other product and company names herein may be the trademarks of their respective owners.

■ Copyright

Copyright 2021 by CANON ELECTRONICS INC. All rights reserved.

No part of this publication may be reproduced or transmitted in any form or by any means, electronic or mechanical, including photocopying and recording, or by any information storage or retrieval system without the prior written permission of CANON ELECTRONICS INC.

■ Reproduction Warning

This device is designed to be used in a legal manner, in accordance with all applicable laws, including, but not limited to, counterfeit and copyright laws, as well as laws pertaining to national security.

Any person(s) found to have reproduced any of the following materials (regardless of whether such reproduction was intentional or not) for the purpose of misrepresenting such material as the original may be prosecuted in accordance with the applicable laws and regulations.

- Paper money or bank notes (domestic and foreign)
- Postage stamps, revenue stamps, or other similar stamps
- Stock certificates, bond certificates, promissory notes, cheques, or other valuable certificates
- Passports, licenses, or other certificates or documents issued by government officials or agencies

This is not an exhaustive list.

Canon is not responsible for how this scanner is used by an individual.

Please note that certain intellectual property is protected by copyright law, and copyrighted items may not be reproduced without the express permission of the copyright holder except for personal or household use under limited circumstances.

■ Disclaimers

The information in this document is subject to change without notice.

CANON ELECTRONICS INC. MAKES NO WARRANTY OF ANY KIND WITH REGARD TO THIS MATERIAL, EITHER EXPRESS OR IMPLIED, EXPECT AS PROVIDED HEREIN, INCLUDING WITHOUT LIMITATION, THEREOF, WARRANTIES AS TO MARKETABILITY, MERCHANTABILITY, FITNESS FOR A PARTICULAR PURPOSE OF USE OR NON-INFRINGEMENT. CANON ELECTRONICS INC. SHALL NOT BE LIABLE FOR ANY DIRECT, INCIDENTAL, OR CONSEQUENTIAL DAMAGES OF ANY NATURE, OR LOSSES OR EXPENSES RESULTING FROM THE USE OF THIS MATERIAL.

CANON ELECTRONICS INC. IS NOT LIABLE FOR THE STORAGE AND HANDLING OF DOCUMENTS SCANNED WITH THIS PRODUCT, OR THE STORAGE AND HANDLING OF RESULTING SCANNED IMAGE DATA.

IF YOU INTEND TO DISCARD THE ORIGINALS OF SCANNED DOCUMENTS, YOU THE CUSTOMER ARE RESPONSIBLE FOR INSPECTING THE SCANNED IMAGES AND VERIFYING THAT DATA IS INTACT.

THE MAXIMUM LIABILITY OF CANON ELECTRONICS INC. UNDER THIS WARRANTY IS LIMITED TO THE PURCHASE PRICE OF THE PRODUCT COVERED BY THE WARRANTY.

■ FCC REGULATIONS (For 120 V model)

Document Scanner, Model 6830100

This device complies with Part 15 of the FCC Rules. Operation is subject to the following two conditions: (1) This device may not cause harmful interference, and (2) this device must accept any interference received, including interference that may cause undesired operation.

Note: This equipment has been tested and found to comply with the limits for a Class B digital device, pursuant to Part 15 of the FCC Rules. These limits are designed to provide reasonable protection against harmful interference in a residential installation. This equipment generates, uses, and can radiate radio frequency energy and, if not installed and used in accordance with the instructions, may cause harmful interference to radio communications. However, there is no guarantee that interference will not occur in a particular installation. If this equipment does cause harmful interference to radio or television reception, which can be determined by turning the equipment OFF and ON, the user

is encouraged to try to correct the interference by one or more of the following measures:

- Reorient or relocate the receiving antenna.
- Increase the separation between the equipment and receiver.
- Connect the equipment into an outlet on a circuit different from that to which the receiver is connected.
- Consult the dealer or an experienced radio/TV technician for help.

Use of shielded cable is required to comply with Class B limits in Subpart B of Part 15 of FCC Rules.

Do not make any changes or modifications to the equipment unless otherwise specified in the manual. If such changes or modifications should be made, you could be required to stop operation of the equipment.

Canon U.S.A. Inc.

One Canon Park, Melville, NY 11747, U.S.A.

Tel. No. (800)652-2666

■ MODEL NAMES

The following name may be provided for the safety regulations in each sales region of the Document Scanner.

Flatbed Scanner Unit 202: Model 6830100

Table of Contents

Setup Guide	5
Preface	7
Symbols Used in This Manual.....	7
Important Safety Instructions	8
Installation Location	8
AC Adapter.....	8
Moving the Flatbed.....	9
Handling	9
Disposal	10
When Sending the Flatbed for Repairs	10
Features	11
Names and Functions of Parts	12
Documents	13
Placing Documents	13
Scanning Methods	14
Flatbed Scanning	14
Feeder Scanning	14
Limitations	14
Supported Functions	15
Scanning with CaptureOnTouch	16
Other Methods for Scanning	17
Changing the Feeding Option for Scanning	17
Using Two Scanners	19
Troubleshooting	20
Common Problems and Solutions.....	20
Appendix	21
Routine Cleaning.....	21
Auto Power OFF Setting	22
Specifications	23
External Dimensions Diagram	24

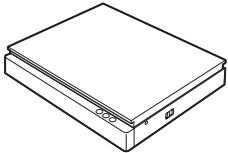
Setup Guide

Please read first.

STEP 1 Checking the Accessories

If any of the items listed below are missing or damaged, contact your local authorized Canon dealer or service representative.

Flatbed Scanner Unit 202

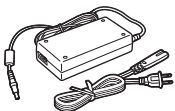


USB cable (Type A/B)



AC Adapter/Power Cord*

* The shape of the power plug varies by country and region.

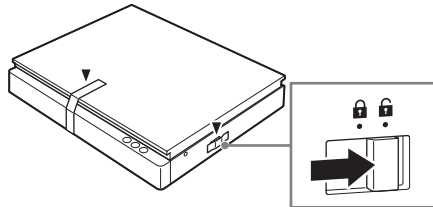



- Setup Guide
- Warranty Card (U.S.A and Canada only)

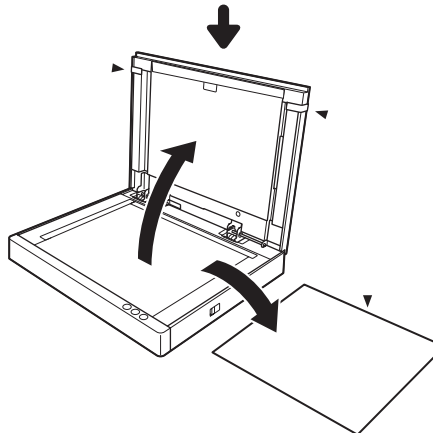
- Items included in this manual are subject to change without notice.
- You must keep the machine's packaging and packing materials for storing or transporting the machine.

STEP 2 Removing the Protective Material

Remove the orange adhesives and protective material (indicated by ▼ below) from the flatbed.



Set the lock switch on the right side of the flatbed to the  position to release the scanning unit.



STEP 3 Installing the Software

- Log on to Windows as an Administrator.
- Close all other applications.
- Install the driver for the Canon document scanner beforehand.
- Do not connect the flatbed to the computer. If you connected the flatbed to the computer and turned it ON, click [Cancel] in the screen that appears, and turn OFF the flatbed.

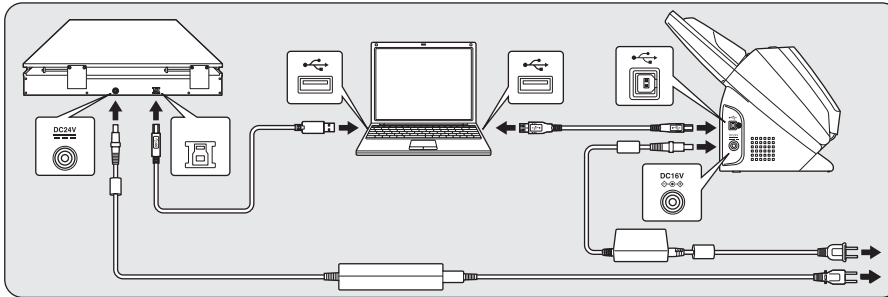
Download the software installer from the website.

Software download page URL:

<https://soft.canon-elec.co.jp/ims/fsu202>

- If the [User Account Control] screen appears, click [Yes] (or [Allow]).

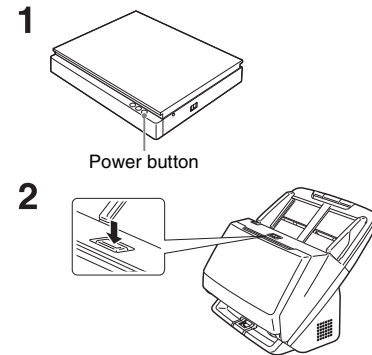
STEP 4 Connecting to the Computer and Power Supply






- Use the USB cables supplied with each scanner.
- Do not connect scanners other than the Canon document scanner that will be used in conjunction with the flatbed to the computer, regardless of whether they are compatible with the flatbed. If you do so, the flatbed or the Canon document scanner may not operate properly.

STEP 5 Turning the Power ON

Turn ON the flatbed first, and then turn ON the Canon document scanner.



This completes the setup.

Before turning ON the flatbed, set the lock switch on the right side of the flatbed to the  position to release the scanning unit. If the flatbed was turned ON while the lock switch was in the  position, set it to the  position and then turn the flatbed OFF and then back ON.

Preface

Thank you for purchasing the Canon imageFORMULA Flatbed Scanner Unit 202. Please read this manual thoroughly before using the scanner to familiarize yourself with its capabilities, and to make the most of its many functions. After reading this manual, store it in a safe place for future reference.

Symbols Used in This Manual

The following symbols are used in this manual to explain procedures, restrictions, handling precautions, and instructions that should be observed for safety.

WARNING

Indicates a warning concerning operations that may lead to death or injury to persons if not performed correctly. To use the machine safely, always pay attention to these warnings.

CAUTION

Indicates a caution concerning operations that may lead to injury to persons, or damage to property if not performed correctly. To use the machine safely, always pay attention to these cautions.

IMPORTANT

Indicates operational requirements and restrictions. Be sure to read these items carefully to operate the machine correctly, and avoid damage to the machine.

NOTE

Indicates a clarification of an operation, or contains additional explanations for a procedure. Reading these notes is highly recommended.

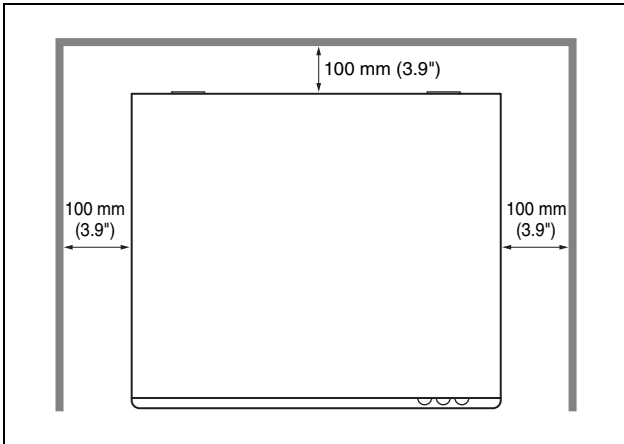
Important Safety Instructions

To ensure the safe operation of this flatbed, make sure to read the safety warnings and precautions described below.

Installation Location

The performance of this flatbed is affected by the environment in which it is installed. Make sure that the location where the flatbed is installed meets the following environmental requirements.

- Provide adequate space around the flatbed for operation, maintenance, and ventilation.




- Avoid installing the flatbed in direct sunlight. If this is unavoidable, use curtains to shade the flatbed.
- Avoid locations with excessive dust. Dust can have negative effects on the inner parts of the flatbed.
- Avoid warm or humid locations, such as in the vicinity of a water faucet, water heater, or humidifier. Avoid locations where ammonia gas is emitted. Avoid locations near volatile or flammable chemicals, such as alcohol or paint thinner.
- Avoid locations that are subject to vibration.

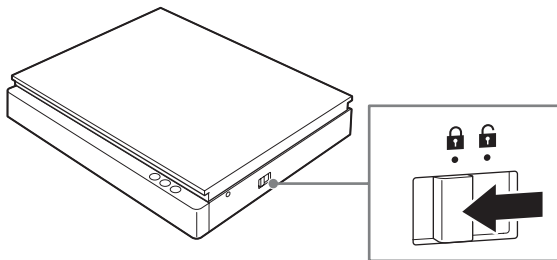
- Avoid exposing the flatbed to rapid changes in temperature. If the room in which the flatbed is installed is cold but rapidly heated, water droplets (condensation) may form inside the flatbed. This may result in a noticeable degradation in scanning quality. The following conditions are recommended for optimal scanning quality:
Room temperature: 10°C to 32.5°C (50°F to 90.5°F)
Humidity: 20% to 80% RH
- Avoid installing the flatbed near equipment that generates a magnetic field (e.g., speakers, televisions, or radios.)


AC Adapter

- Connect the AC adapter only to a power outlet of the rated voltage and power supply frequency (120 V, 60 Hz or 220-240 V, 50/60 Hz depending on your region).
- Do not connect other electrical equipment to the same power outlet to which the flatbed is connected. Also, if you use an extension cord, make sure that the extension cord is rated for the current requirements of the flatbed.
- Never disassemble or modify the AC adapter, as this is dangerous.
- The power cord may become damaged if it is often stepped on or if heavy objects are placed on it. Continued use of a damaged power cord and AC adapter may lead to an accident, such as a fire or electrical shock.
- Do not use the power cord while it is coiled.
- Do not pull directly on the power cord. When disconnecting the power cord, grasp the power plug and remove it from the power outlet.
- Keep the area around the power cord clear of objects so that the power cord can be disconnected easily in an emergency.
- Do not use an AC adapter other than the one provided with the flatbed. Do not use the AC adapter provided with the flatbed with other products.
- If you have any questions regarding the power supply, contact your local authorized Canon dealer or service representative for further information.

Moving the Flatbed

- If you move the flatbed, make sure to set the lock switch on the right side of the flatbed to the  position to lock the scanning unit into place. Make sure to carry the flatbed with both hands so as not to drop it. The flatbed weighs approximately 9.8 kg (21.6 lb.).




- Before using the flatbed, set the lock switch on the right side of the flatbed to the  position to release the scanning unit.
- Make sure to disconnect the interface cable and AC adapter before you move the flatbed. If the flatbed is transported with these items connected, the plugs and connectors may be damaged, or cause the flatbed to fall and result in personal injury or damage to the flatbed.

Handling

WARNING

- Never use alcohol, benzene, paint thinner, aerosol sprays, or any other flammable substance near the flatbed.
- Do not cut, damage, or modify the power cord. Do not place heavy objects on the power cord, and do not pull or excessively bend the power cord.
- Never connect the power cord when your hands are wet.
- Do not connect the flatbed to a multiplug power strip.
- Do not knot or coil the power cord, as this may result in a fire or electric shock. When connecting the power cord, make sure that the power plug is securely and completely inserted into the power outlet.
- Do not use a power cord or AC adapter other than the ones provided with this flatbed. Do not use the supplied power cord with other products.


- Do not take the flatbed apart or modify it.
- Never disassemble or modify the AC adapter, as this is dangerous.
- Do not use flammable sprays near the flatbed.
- When cleaning the flatbed, turn the power switch OFF and disconnect the power cord from the power supply.
- Clean the flatbed using a slightly dampened cloth that has been well wrung out. Never use alcohol, benzene, paint thinner, or any other flammable substances.
- Disconnect the power cord from the power outlet regularly, and clean the area around the base of the power plug's metal pins and the power outlet with a dry cloth to ensure that all dust and grime is removed. If the power cord is connected for a long period of time in a damp, dusty, or smoky location, dust can build up around the power plug and become damp. This may cause a short circuit and result in a fire.
- If the flatbed makes strange noises, or gives off smoke, heat or strange odors, or the flatbed does not function or other abnormalities occur when you use the flatbed, immediately turn the power switch OFF and disconnect the power plug from the power outlet. Then, contact your local authorized Canon dealer or service representative for further information.
- Do not drop the flatbed, or subject it to impact or strong shock. Should the flatbed ever become damaged, immediately turn the power switch OFF, and disconnect the power plug from the power outlet. Then, contact your local authorized Canon dealer or service representative for further information.
- Before moving the flatbed, make sure to turn the power switch OFF, disconnect the power plug from the power outlet, and set the lock switch on the right side of the flatbed to the  position to lock the scanning unit into place.

CAUTION

- Do not install the flatbed on a surface that is unstable, tilted, or subject to excessive vibrations. Doing so may cause the flatbed to fall, resulting in personal injury or damage to the flatbed.
- Never place small metal objects, such as staples, paper clips, or jewelry on the flatbed. These items may fall into the flatbed, and cause a fire or electric shock. If such objects ever fall inside the flatbed, immediately turn the power switch OFF, and disconnect the power plug from the power outlet. Then, contact your local authorized Canon dealer or service representative to have the unit serviced.

- Do not install the flatbed in a humid or dusty location. Doing so may cause a fire or electric shock.
- Do not place objects on the flatbed. The objects may fall over or off of the flatbed, resulting in personal injury.
- Connect the AC adapter only to a power outlet of the rated voltage and power supply frequency (120 V, 60 Hz or 220-240 V, 50/60 Hz depending on your region).
- When unplugging the power cord, grasp it firmly by its power plug. Do not pull directly on the power cord, as this may damage or expose the cord's internal wiring, resulting in a fire or electric shock.
- Leave sufficient space around the power plug so that it can be disconnected easily. If objects are placed around the power plug, you will be unable to disconnect it in an emergency.
- Do not allow water or flammable substances (alcohol, paint thinner, benzene, etc.) to spill onto the flatbed, as this may result in a fire or electric shock.
- Also, turn OFF the power switch, and disconnect the power cord from the power outlet for safety when the machine will not be used for an extended period of time, such as during consecutive holidays.
- Open and close the document cover gently. Failure to do so may result in a malfunction or personal injury.
- Be careful when closing the document cover to avoid pinching your hands. Failure to do so may result in personal injury.
- Do not press down hard on the document cover. Doing so may result in damage to the glass, a malfunction, or personal injury.
- Never place any object other than documents to be scanned onto the scanning glass. Doing so may result in a malfunction or personal injury.
- When using the flatbed in cold temperatures, wait a few moments after turning the power switch ON. Failure to do so may result in a condensation error.

When Sending the Flatbed for Repairs

If you need to send the flatbed out for repairs, use the packing box in which it came. Make sure to set the lock switch on the right side of the flatbed to the  position to lock the scanning unit into place, and firmly secure the flatbed with packaging material when you place it in the packing box.

Disposal

When disposing the flatbed or AC adapter, make sure to follow the local ordinances and laws or consult with your local authorized Canon dealer or service representative.

Features

The Flatbed Scanner Unit 202 can be used together with a Canon document scanner.

The main features of the flatbed are described below.

- **Wide-range document support**

Connect the flatbed scanner and a Canon document scanner to a computer to enable flatbed scanning. The flatbed allows you to scan thin document sheets, magazines, and a variety of other documents that cannot be scanned using a feeder.

This scanner can scan documents up to A3 in size, allowing you to scan books and magazines that are spread open.

- **High Image Quality**

The flatbed enables high-quality 600 dpi scanning in 24-bit color, grayscale, and black and white scanning modes.

- **Seamless Dual-Scanner Operation**

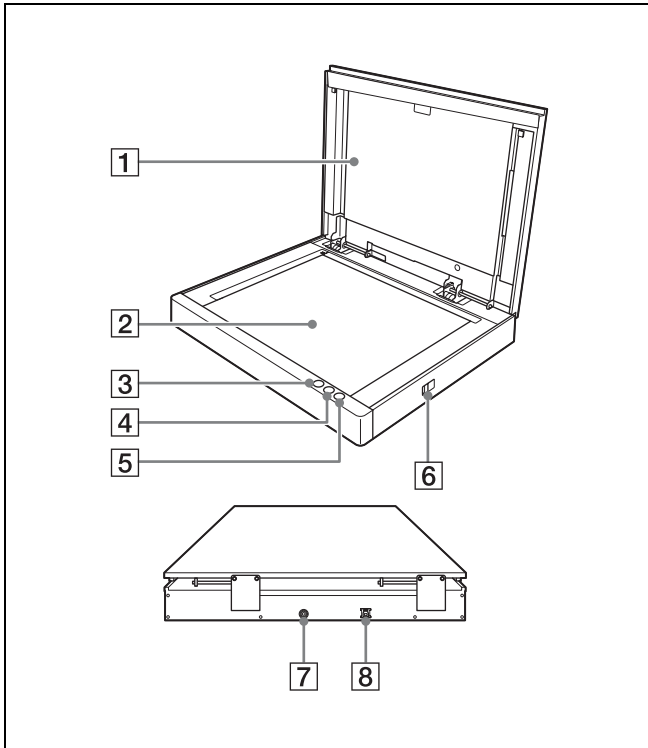
Combine the scanned images from two scanners to create a single image file.



NOTE

The flatbed does not support all of the scanning options available on the connected Canon document scanner (p. 15).

Names and Functions of Parts



1 Document Cover

Close this to keep documents in place while scanning.

2 Scanning Glass

3 Start Button

Press this button to start scanning the document placed on the scanning glass.

4 Stop Button

Press this button to stop scan procedures in progress.

5 Power Button

Press this to turn ON the flatbed. The power button lights when the flatbed is turned ON.

To turn the flatbed OFF, press and hold the power button until it turns OFF.



NOTE

The auto power OFF setting, which automatically turns the flatbed OFF if it is not operated for 4 hours, is enabled under default conditions.

For details on disabling this setting, "Auto Power OFF Setting" (p. 22).

6 Lock Switch

Use this to lock the internal scanning unit into place.

7 Power Connector

Connect the provided AC adapter here.

8 USB Connector (Type B)

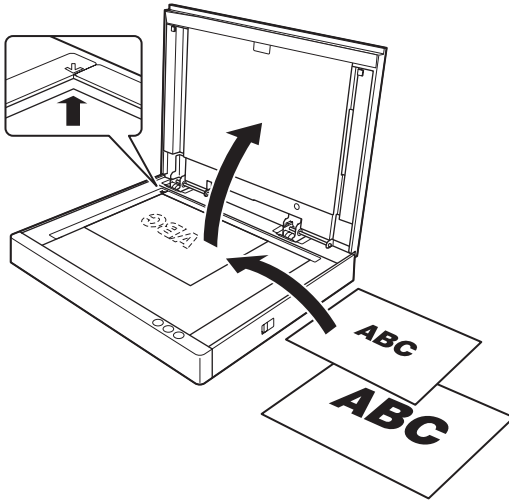
Use this connector to connect the flatbed to a computer.

Documents

The flatbed can scan documents up to 297.4 mm (11.7") in width and 432 mm (17.0") in length.

Placing Documents

Open the document cover, and place the document on the scanning glass, as shown below, with the scanning side facing down. Make sure to align the upper right corner of the scanning side with the upper left corner of the scanning glass.

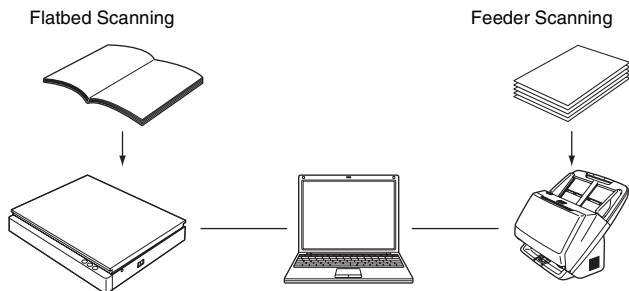


! IMPORTANT

- Do not place objects other than the document to be scanned onto the scanning glass. Doing so may result in a malfunction or personal injury.
- Open and close the document cover gently. Excessive force may result in damage to the cover or breaking the scanning glass and personal injury.
- You cannot scan film.
- Make sure to straighten wrinkled or curled documents before placing them on the flatbed, and gently press down on the document cover while scanning is in progress.

Scanning Methods

You can select one of the following methods to scan documents, based on the document type and intended purpose.



Flatbed Scanning

You can use the flatbed to scan documents one sheet at a time, single page documents, or documents that cannot be scanned using the feeder.

Feeder Scanning

Use the feeder on a Canon document scanner connected to the computer to perform operations such as multipage document scanning. In such cases, the operations on the connected Canon document scanner are the same as those during stand-alone use. For details on feeder scanning, refer to the *User Manual* of the connected Canon document scanner.

Limitations

- To use the flatbed to scan, you need to install software. Also install the driver required to operate the document scanner to be used together with the flatbed.
- If WIA driver is installed, the flatbed can operate as a stand-alone unit without a Canon document scanner connected. In that case, however, there are limitations on the functions available comparing with the usual scanning using the ISIS/TWAIN driver.
- When the conditions for scanning require a large amount of the computer's memory, scanning may not be possible if the memory is insufficient. If a memory error appears during scanning, exit the application and change the scanning conditions before attempting to scan again.

Supported Functions

Functions	Use on the flatbed	Functions	Use on the flatbed
Advanced Text Enhancement	Yes	Prevent Bleed Through / Remove Background	Yes
Advanced Text Enhancement II	Yes	Remove shadow	No
Active Threshold	Yes	Border Removal	Yes
Auto Color Detection	Yes	Erase Dot	Yes
Color/gray/binary detection	Yes	Text Orientation Recognition	Yes
Color/gray detection	Yes	Erase Notch	Yes
Automatic Size Detection	Yes	Punch Hole Removal	Yes
Area specification	Yes	Apply corrections suitable for photographs	No
Margin	No	Double Feed Detection	No
Auto resolution detection	Yes	Automatic Feeding	Yes ⁺²
Two Sided Scanning	No	Manual Feeding	No
Skip Blank Page	No	Panel-Feeding	Yes
Folio	No	Thin Paper Mode	No
Speed priority	No	Non Separation Feeding Mode	No
Skew Detection	No	Verify Count	No
Deskew	Yes	Staple Detection	No
Reverse side	No	Document Orientation	Yes
Brightness Auto	No	Batch Separation	No
Gamma Correction	Yes	Patchcode	No
Edge emphasis	Yes	Rapid recovery system	No
Color drop-out / color enhance (red/green/blue)	Yes	JPEG Transfer	No
Color drop-out / color enhance (red/green/blue)	Yes	Prescan	No
Color Elimination	No	MultiStream	Yes
Custom color drop-out	No	Back-side settings (when MultiStream is enabled)	No
Custom color Enhance	No	Barcode	Yes
Moire Reduction	Yes	2D code	Yes
Character Emphasis	Yes	Imprinter	No
Background smoothing	Yes ⁺¹	Addon	No

(Yes: Supported, No: Not supported)

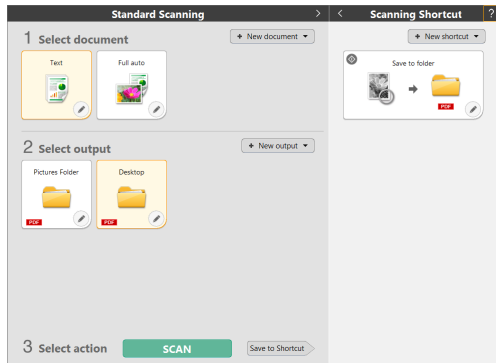
*1 When used in combination with a document scanner. The connected document scanner must support the function.

*2 Only the feeder is available when used in combination with a document scanner. The connected document scanner must support the function.

Scanning with CaptureOnTouch

What is CaptureOnTouch?

CaptureOnTouch is a scanning application that allows you to scan document with the simple operation of just selecting panels on a screen.



For details on the operations and functions, refer to the Help of CaptureOnTouch.

Other Methods for Scanning

This section describes the various scanning options.

Changing the Feeding Option for Scanning

Changing the feeding option setting in the scanner settings dialog box can be helpful when scanning multipage documents.

The following three feeding options are available:

● [Standard Feeding]

This is the standard feeding method. The scanning operation ends when the documents placed in either scanner finish scanning.

● [Panel-Feeding]

When the documents placed in either scanner finish scanning, the scanner enters a standby state and waits for additional documents to be placed. When you place additional documents and press the Start button, scanning continues.

● Automatic Feeding


When additional documents are placed after a document finishes feeding, the scanner automatically detects these documents and continues scanning.

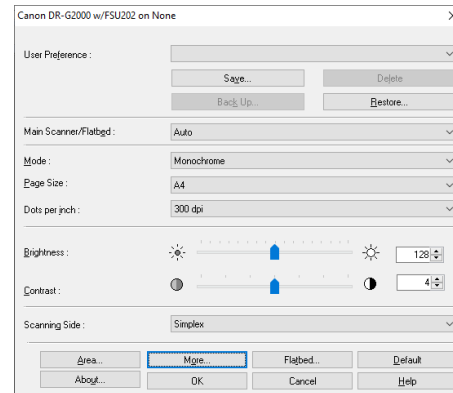
When scanning using the flatbed, place the documents and press the start button.

Configuring the Feeding Option

This section describes how to set [Feeding Option] to [Panel-Feeding].

1 Open the scanner settings dialog box from your application.

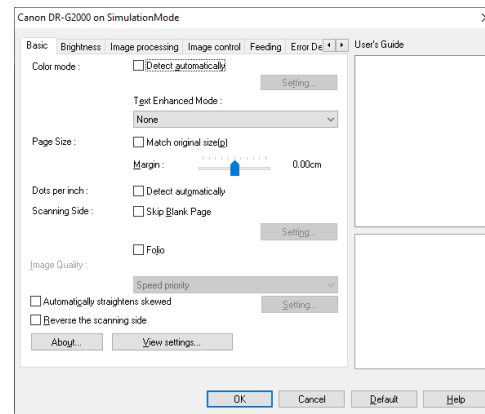
When using CaptureOnTouch, for example, click the  (pencil mark) icon, select the [Enable] check box in [Use advanced settings dialog box] on the [Document] tab, and then click [Setting]. For details on how to open the settings dialog box from other applications, refer to the operation manual of the application.

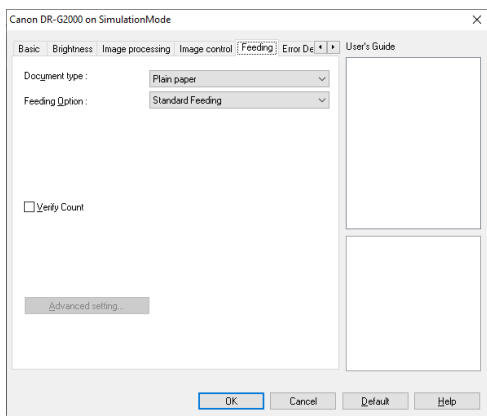


2 Configure the [Main Scanner/Flatbed] setting.

If the document is placed in the feeder of the connected Canon document scanner, select [Main Scanner]. If you plan to switch between using the feeder and flatbed for scanning, select [Auto].

3 Click the [More] button to open the settings dialog box for the Canon document scanner.



4 Click the [Feeding] tab.

5 Set [Feeding Option] to [Panel-Feeding].

6 Click [OK] to close the settings screen.

7 Click [OK] to close the scanner settings dialog box.

8 Place the document in the scanner, and start the scan procedure from the application.

9 Press the start button on the scanner in which the document is placed.

If the document is placed in the Canon document scanner, pressing the start button on the scanner will start the scan procedure.

If the document is placed on the flatbed, pressing the start button on the flatbed will start the scan procedure.

When the document finishes scanning, the scanner waits for the next document to be placed.

10 Place the next document to be scanned.

If you selected [Auto] for [Main Scanner/Flatbed] in step 2, you can place the document in either the feeder or the flatbed to continue scanning.

11 Repeat steps 9 and 10 until all documents are scanned.

12 Press the stop button on the scanner when all documents have been scanned.

This completes the scan procedure.

NOTE

Depending on the application you are using and whether the flatbed is connected, scanner operations when scanning with the [Feeding Option] set to [Panel-Feeding] may differ as follows.

When scanning with only a Canon document scanner	When scanning with the flatbed connected
When you press the stop button on the scanner, a dialog box asking whether you want to continue scanning appears.	You must press the stop button on the scanner twice to display the dialog box that asks whether you want to continue scanning.
When you select the option to continue scanning in the above dialog box, the driver settings screen appears automatically.	Selecting the option to continue scanning will not automatically display the driver settings screen. You must press the start button on the scanner.

Using Two Scanners

Setting [Main Scanner/Flatbed] to [Auto] in the scanner settings dialog box makes it easy to scan certain types of documents with one scanner or the other, or scan using a combination both scanners.

Example 1: Scan using the appropriate scanner for each scan operation

By configuring the following settings, you can scan documents suited for the flatbed (e.g., a single page of a book) or documents suited for the connected Canon document scanner (e.g., one or more document sheets), without having to specify the scanner.

[Main Scanner/Flatbed]: [Auto]
[Feeding Option]: [Standard]

Example 2: Scan different document types to a single image file

By configuring the following settings, you can scan multiple documents of different types (e.g., multiple pages of a book and multiple document sheets) to a single file.

[Main Scanner/Flatbed]: [Auto]
[Feeding Option]: [Panel-Feeding]

For example, perform the following to scan a multipage application form and a passport.

- (1) Start the scan procedure from the application.
- (2) Place the application form in the Canon document scanner, and press the start button on the document scanner.
- (3) When the application form is scanned, place the passport on the flatbed, and press the start button on the flatbed.
- (4) When you are finished scanning, press the stop button on the flatbed or document scanner.

Troubleshooting

Common Problems and Solutions

This section provides recommended solutions to common problems. If you have a problem that is not solved by the following, contact your local authorized Canon dealer.

Problem 1 The flatbed will not turn ON.

Solution Confirm that the AC adapter is plugged firmly into a power outlet.

Problem 2 The flatbed is not recognized.



Solution

- (1) Confirm that the flatbed is properly connected to the computer with a USB cable.
- (2) The computer's USB interface may not support the flatbed. The flatbed cannot be guaranteed to work with all USB interfaces.
- (3) Confirm that the supplied USB cable is used to connect the flatbed to the computer. The flatbed cannot be guaranteed to work with all available USB cables.
- (4) If the flatbed is connected to the computer via a USB hub, try removing the hub and connecting the flatbed directly to the computer.

Problem 3 Dirt appears in scanned images.

Solution Clean the scanning glass. If a sticky substance such as glue or correction fluid is found, carefully wipe with just enough pressure to clean the dirty area. If the problem cannot be solved by cleaning, the internal glass may be scratched. In this case, contact your local authorized Canon dealer.

Problem 4 The scanner is recognized by the computer, but scanning does not start.

Solution Check the position of the lock switch on the right side of the flatbed (p. 9). Even if the flatbed is turned ON, scanning will not be possible if the lock switch on the right side of the flatbed is set to the  position. Set the lock switch to the  position, and press the power button to start scanning.

Problem 5 Scanning is not performed using the registered user preference settings.

Solution User preferences in which feeding option, skip blank page, continuous scanning, or prescan is enabled may not be recalled properly by some applications. When using such user preferences, make sure to open the driver settings dialog box and verify that the settings are enabled before you begin scanning.

Problem 6 The image rotation setting is enabled, but images are not rotated (or the edges are cropped).

Solution When the scanning resolution is set to a high value and image rotation is set to 90 or 270 degrees, the entire document may not be scanned properly. Set the image rotation to 0 or 180 degrees or set a lower resolution, and try scanning again.

Appendix

Routine Cleaning

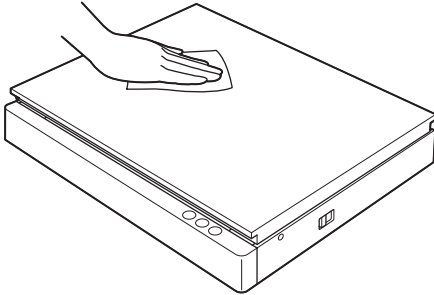
Clean the flatbed on a regular basis to maintain scanning performance.

WARNING

For safety, always turn the power switch OFF and disconnect the power cord from the power outlet before cleaning the flatbed. Do not use spray-type cleaners to clean the flatbed. Precision mechanisms may get wet and malfunction. Never use paint thinner, alcohol, or other solvents to clean the flatbed. Doing so may deform, discolor, or dissolve surfaces, or result in a fire or electric shock.

Cleaning the Flatbed

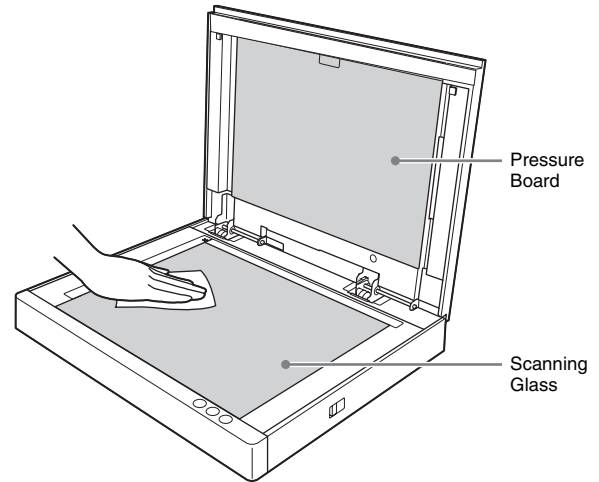
Use a cloth dampened with water and thoroughly wrung out to clean the outside of the flatbed, and use a clean dry cloth to wipe the flatbed dry.



Cleaning the Scanning Glass and Pressure Board

If dirt appears in scanned images, or if scanned documents become dirty, the scanning glass and pressure board may be dirty. Be sure to clean them regularly.

- 1** Open the document cover gently, and use a clean, dry cloth to wipe the scanning glass and pressure board clean.



- 2** Close the document cover gently.

CAUTION

If you use excessive force when you close the document cover, it may result in damage to the glass, malfunction, or personal injury.

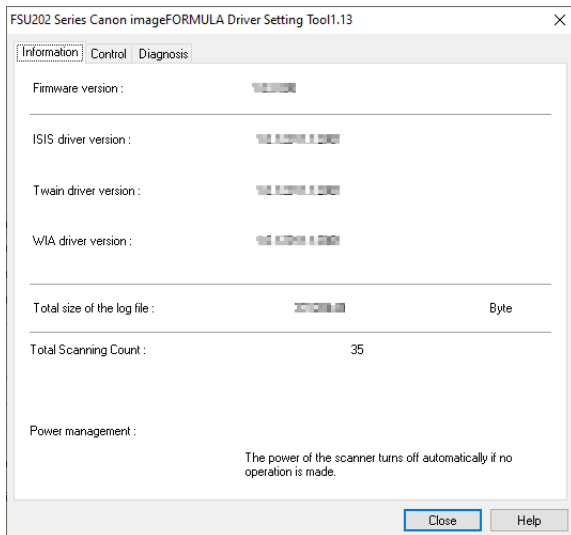
Auto Power OFF Setting

If scanning or any other operation is not performed on the flatbed for 4 hours, the flatbed will automatically turn OFF.

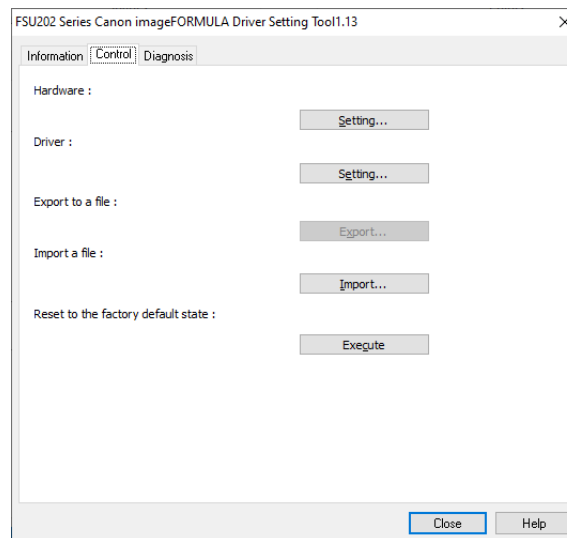
To disable this setting, perform the following.

1 Click the Start button and then click [Canon Flatbed Scanner Unit 202] - [Canon imageFORMULA Driver Setting Tool].

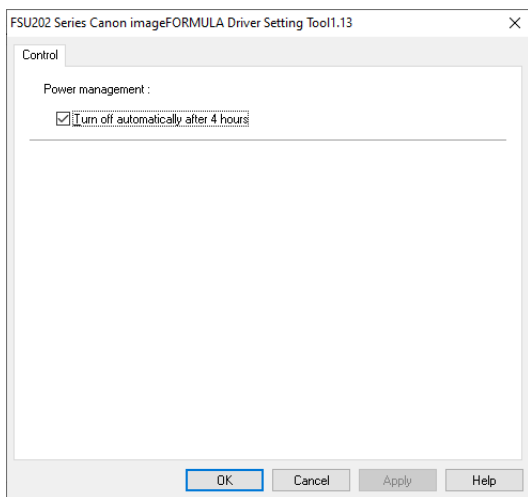
2 Click the [Control] tab.



3 Click [Setting] of [Hardware].



4 Select the [Turn off automatically after 4 hours] check box.



5 Close all of the dialog boxes by clicking [OK].

Specifications

Main Unit

Type	Desktop flatbed		
Scanning Document Size	Width: 297.4 mm (11.7") Length: 432 mm (17.0")		
Scanning Sensor	CIS		
Light Source	LED		
Scanning Side	Simplex		
Scanning Modes	Monochrome, Error Diffusion, 256-level Grayscale, 24-bit Color, Advanced Text Enhancement, Advanced Text Enhancement II, Active Threshold		
Resolution	100 x 100 dpi/150 x 150 dpi/200 x 200 dpi 240 x 240 dpi/300 x 300 dpi/400 x 400 dpi 600 x 600 dpi/1200 x 1200 dpi		
Scanning Speed	(Conditions: Core i7-6700 3.40GHz CPU, 16 GB or more memory, USB 3.2 Gen 1x1, A3 document size)		
	24-bit color	600 dpi	11 sec.
		300 dpi	5 sec.
		200 dpi	4 sec.
	Grayscale	600 dpi	9 sec.
		300 dpi	4 sec.
		200 dpi	4 sec.
Interface	USB 3.2 Gen1x1/USB2.0		
External Dimensions	570 mm x 451 mm x 111 mm (W x D x H) 22.44" x 17.76" x 4.37" (W x D x H)		
Weight (without AC adapter)	Approximately 9.8 kg (21.6 lb.)		
Power Supply (using AC adapter)	DC 24 V, 2.0 A		
Power Consumption	Scanning: Maximum 15.7 W In Sleep mode: 1.9 W With power turned OFF: Maximum 0.1 W		
Operating Environment	Temperature: 10°C to 32.5°C (50°F to 90.5°F) Humidity: 20% to 80% RH		

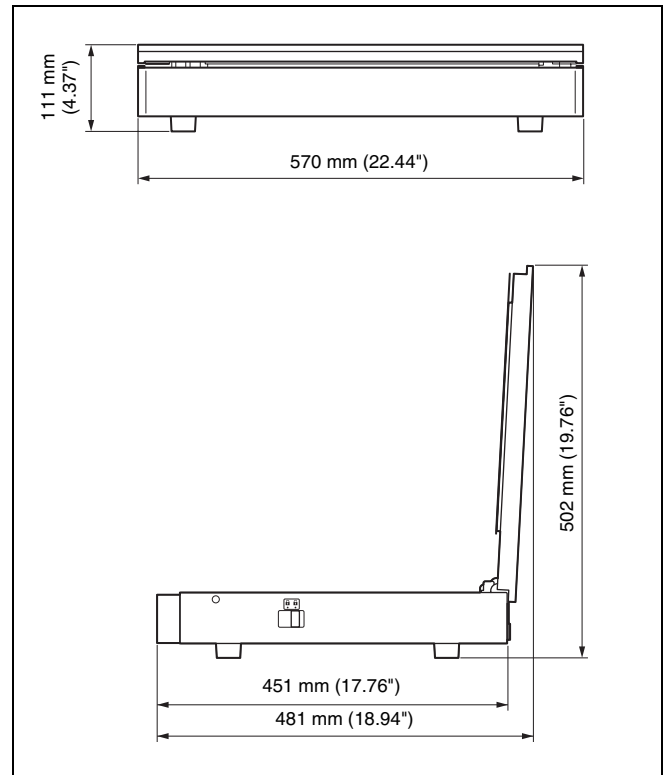
AC Adapter (100 to 240 V type)

Model Number	6G3-0267
Input	AC100 to 240V, 50/60 Hz, 1.06 to 0.6 A
Output	DC24V 2.0A
Weight	Approximately 0.3 kg (0.66 lb.) (excluding power cord)

Recommended Operating Environment

CPU	Core i3 2.13GHz or faster
Memory	4 GB or more
USB Interface	USB 3.2 Gen 1x1
Operating System	Microsoft Windows 10 (32-bit and 64-bit editions) Microsoft Windows 11 Microsoft Windows Server 2016 Microsoft Windows Server 2019 Microsoft Windows Server 2022 This is the environment as of February 2024. For the latest software support information, go to the Products page on the Canon website.

External Dimensions Diagram



WEEE CAUTION



English

Only for European Union and EEA (Norway, Iceland and Liechtenstein)

This symbol indicates that this product is not to be disposed of with your household waste, according to the WEEE Directive (2012/19/EU) and national legislation. This product should be handed over to a designated collection point, e.g., on an authorized one-for-one basis when you buy a new similar product or to an authorized collection site for recycling waste electrical and electronic equipment (EEE).

Improper handling of this type of waste could have a possible negative impact on the environment and human health due to potentially hazardous substances that are generally associated with EEE. At the same time, your cooperation in the correct disposal of this product will contribute to the effective usage of natural resources. For more information about where you can drop off your waste equipment for recycling, please contact your local city office, waste authority, approved WEEE scheme or your household waste disposal service. For more information regarding return and recycling of WEEE products, please visit www.canon-europe.com/sustainability/approach/.

Only for the United Kingdom

This symbol indicates that this product is not to be disposed of with your household waste, according to the UK Waste Electrical and Electronic Equipment Regulations. This product should be handed over to a designated collection point, e.g., on an authorized one-for-one basis when you buy a new similar product or to an authorized collection site for recycling waste electrical and electronic equipment (EEE). Improper handling of this type of waste could have a possible negative impact on the environment and human health due to

potentially hazardous substances that are generally associated with EEE. At the same time, your cooperation in the correct disposal of this product will contribute to the effective usage of natural resources. For more information about where you can drop off your waste equipment for recycling, please contact your local city office, waste authority, approved WEEE scheme or your household waste disposal service. For more information regarding return and recycling of WEEE products, please visit www.canon-europe.com/sustainability/approach/.

Français

Union Européenne, Norvège, Islande et Liechtenstein uniquement.

Ce symbole indique que ce produit ne doit pas être jeté avec les ordures ménagères, conformément à la directive DEEE (2012/19/UE) et à la réglementation de votre pays. Ce produit doit être confié au distributeur à chaque fois que vous achetez un produit neuf similaire, ou à un point de collecte mis en place par les collectivités locales pour le recyclage des Déchets des Équipements Électriques et Électroniques (DEEE). Le traitement inapproprié de ce type de déchet risque d'avoir des répercussions sur l'environnement et la santé humaine, du fait de la présence de substances potentiellement dangereuses généralement associées aux équipements électriques et électroniques. Parallèlement, votre entière coopération dans le cadre de la mise au rebut correcte de ce produit favorisera une meilleure utilisation des ressources naturelles. Pour plus d'informations sur les points de collecte des équipements à recycler, contactez vos services municipaux, les autorités locales compétentes, le plan DEEE approuvé ou le service d'enlèvement des

ordures ménagères. Pour plus d'informations sur le retour et le recyclage des produits DEEE, consultez le site: www.canon-europe.com/sustainability/approach/.

Deutsch

Nur für Europäische Union und EWR (Norwegen, Island und Liechtenstein)

Dieses Symbol weist darauf hin, dass dieses Produkt gemäß der EU-Richtlinie über Elektro- und Elektronik-Altgeräte (2012/19/EU) und nationalen Gesetzen nicht über den Hausmüll entsorgt werden darf. Dieses Produkt muss bei einer dafür vorgesehenen Sammelstelle abgegeben werden. Dies kann z. B. durch Rückgabe beim Kauf eines ähnlichen Produkts oder durch Abgabe bei einer autorisierten Sammelstelle für die Wiederaufbereitung von Elektro- und Elektronik-Altgeräten geschehen. Der unsachgemäße Umgang mit Altgeräten kann aufgrund potentiell gefährlicher Stoffe, die generell mit Elektro- und Elektronik-Altgeräten in Verbindung stehen, negative Auswirkungen auf die Umwelt und die menschliche Gesundheit haben. Durch die umweltgerechte Entsorgung dieses Produkts tragen Sie außerdem zu einer effektiven Nutzung natürlicher Ressourcen bei. Informationen zu Sammelstellen für Altgeräte erhalten Sie bei Ihrer Stadtverwaltung, dem öffentlich-rechtlichen Entsorgungsträger, einer autorisierten Stelle für die Entsorgung von Elektro- und Elektronik-Altgeräten oder Ihrem örtlichen Entsorgungsunternehmen. Weitere Informationen zur Rückgabe und Entsorgung von Elektro- und Elektronik-Altgeräten finden Sie unter www.canon-europe.com/sustainability/approach/.

Zusatzinformationen für Deutschland:

Dieses Produkt kann durch Rückgabe an den Händler unter den in der Verordnung des Elektro- und Elektronikgerätegesetzes beschriebenen Bedingungen abgegeben werden.

Als Endbenutzer und Besitzer von Elektro- oder Elektronikgeräten sind Sie verpflichtet:

- diese einer vom unsortierten Siedlungsabfall getrennten Erfassung zuzuführen,

- Altbatterien und Altakkumulatoren, die nicht von Altgerät umschlossen sind, sowie Lampen, die zerstörungsfrei aus dem Altgerät entnommen werden können, vor der Abgabe an einer Erfassungsstelle vom Altgerät zerstörungsfrei zu trennen,
- personenbezogener Daten auf den Altgeräten vor der Entsorgung zu löschen.

Die Bedeutung von dem Symbol der durchgestrichenen Abfalltonne auf Rädern finden Sie oben in dieser Beschreibung.

Die Vertreter von Elektro- oder Elektronikgeräten haben die Pflicht zur unentgeltlichen Rücknahme von Altgeräten. Die Vertreter haben die Endnutzer über die von ihnen geschaffenen Möglichkeiten der Rückgabe von Altgeräten zu informieren.

Italiano

Solo per Unione Europea e SEE (Norvegia, Islanda e Liechtenstein)

Questo simbolo indica che il prodotto deve essere oggetto di raccolta separata in conformità alla Direttiva RAEE (2012/19/UE) e alla normativa locale vigente. Il prodotto deve essere smaltito presso un centro di raccolta differenziata, un distributore autorizzato che applichi il principio dell'"uno contro uno", ovvero del ritiro della vecchia apparecchiatura elettrica al momento dell'acquisto di una nuova, o un impianto autorizzato al riciclaggio dei rifiuti di apparecchiature elettriche ed elettroniche. La gestione impropria di questo tipo di rifiuti può avere un impatto negativo sull'ambiente e sulla salute umana causato dalle sostanze potenzialmente pericolose che potrebbero essere contenute nelle apparecchiature elettriche ed elettroniche. Un corretto smaltimento di tali prodotti contribuirà inoltre a un uso efficace delle risorse naturali ed eviterà di incorrere nelle sanzioni amministrative di cui all'art. 255 e successivi del Decreto Legislativo n. 152/06. Per ulteriori informazioni sullo smaltimento e il recupero dei Rifiuti di Apparecchiature Elettriche ed Elettroniche, consultare la Direttiva RAEE, rivolgersi alle autorità competenti, oppure visitare il sito www.canon-europe.com/sustainability/approach/.

Español

Sólo para la Unión Europea y el Área Económica Europea (Noruega, Islandia y Liechtenstein)

Este símbolo indica que este producto no debe desecharse con los desperdicios domésticos, de acuerdo con la directiva RAEE (2012/19/UE) y con la legislación nacional. Este producto debe entregarse en uno de los puntos de recogida designados, como por ejemplo, entregándolo en el lugar de venta al comprar un producto similar o depositándolo en un lugar de recogida autorizado para el reciclado de residuos de aparatos eléctricos y electrónicos (RAEE). La manipulación inapropiada de este tipo de desechos podría tener un impacto negativo en el entorno y la salud humana, debido a las sustancias potencialmente peligrosas que normalmente están asociadas con los RAEE. Al mismo tiempo, su cooperación a la hora de desechar correctamente este producto contribuirá a la utilización eficaz de los recursos naturales. Para más información sobre cómo puede eliminar el equipo para su reciclado, póngase en contacto con las autoridades locales, con las autoridades encargadas de los desechos, con un sistema de gestión RAEE autorizado o con el servicio de recogida de basuras doméstico. Si desea más información acerca de la devolución y reciclado de RAEE, visite la web www.canon-europe.com/sustainability/approach/.

Nederlands

Uitsluitend bestemd voor de Europese Unie en EER (Noorwegen, IJsland en Liechtenstein)

Dit symbool geeft aan dat dit product in overeenstemming met de AEEA-richtlijn (2012/19/EU) en de nationale wetgeving niet mag worden afgevoerd met het huishoudelijk afval. Dit product moet worden ingeleverd bij een aangewezen, geautoriseerd inzamelpunt, bijvoorbeeld wanneer u een nieuw gelijksoortig product aanschaft, of bij een geautoriseerd inzamelpunt voor hergebruik van elektrische en elektronische apparatuur (EEA). Een onjuiste afvoer van dit type afval kan leiden tot negatieve effecten op het milieu en de volksgezondheid als gevolg van potentieel gevaarlijke stoffen die veel voorkomen in elektrische en elektronische apparatuur (EEA). Bovendien werkt u door een juiste afvoer van dit product mee aan het effectieve gebruik

van natuurlijke hulpbronnen. Voor meer informatie over waar u uw afgedankte apparatuur kunt inleveren voor recycling kunt u contact opnemen met het gemeentehuis in uw woonplaats, de reinigingsdienst, of het afvalverwerkingsbedrijf. U kunt ook het schema voor de afvoer van afgedankte elektrische en elektronische apparatuur (AEEA) raadplegen. Ga voor meer informatie over het inzamelen en recyclen van afgedankte elektrische en elektronische apparatuur naar www.canon-europe.com/sustainability/approach/.

Dansk

Gælder kun i Europæiske Union og EØS (Norge, Island og Liechtenstein)

Dette symbol angiver, at det pågældende produkt ikke må bortskaffes sammen med dagrenovation jf. direktivet om affald af elektrisk og elektronisk udstyr (WEEE) (2012/19/EU) og gældende national lovgivning. Det pågældende produkt skal afleveres på et nærmere specificeret indsamlingssted, f.eks. i overensstemmelse med en godkendt én-til-én-procedure, når du indkøber et nyt tilsvarende produkt, eller produktet skal afleveres på et godkendt indsamlingssted for elektronikaffald. Forkert håndtering af denne type affald kan medføre negative konsekvenser for miljøet og menneskers helbred på grund af de potentielt sundhedsskadelige stoffer, der generelt kan forefindes i elektrisk og elektronisk udstyr. Når du foretager korrekt bortskaffelse af det pågældende produkt, bidrager du til effektiv brug af naturressourcerne. Yderligere oplysninger om, hvor du kan bortskaffe dit elektronikaffald med henblik på genanvendelse, får du hos de kommunale renovationsmyndigheder. Yderligere oplysninger om returnering og genanvendelse af affald af elektrisk og elektronisk udstyr får du ved at besøge www.canon-europe.com/sustainability/approach/.

Norsk

Gjelder kun den europeiske union og EØS (Norge, Island og Liechtenstein)

Dette symbolet indikerer at dette produktet ikke skal kastes sammen med husholdningsavfall, i henhold til WEEE-direktiv (2012/19/EU) og nasjonal lov. Produktet må leveres til et dertil egnet innsamlingspunkt,

det vil si på en autorisert en-til-en-basis når du kjøper et nytt lignende produkt, eller til et autorisert innsamlingssted for resirkulering av avfall fra elektrisk og elektronisk utstyr (EE-utstyr). Feil håndtering av denne typen avfall kan være miljø- og helseskadelig på grunn av potensielt skadelige stoffer som ofte brukes i EE-utstyr. Samtidig bidrar din innsats for korrekt avhending av produktet til effektiv bruk av naturressurser. Du kan få mer informasjon om hvor du kan avhende utrangert utstyr til resirkulering ved å kontakte lokale myndigheter, et godkjent WEEE-program eller husholdningens renovasjonsselskap. Du finner mer informasjon om retur og resirkulering av WEEE-produkter på www.canon-europe.com/sustainability/approach/.

Suomi

Vain Euroopan unionin sekä ETA:n (Norja, Islanti ja Liechtenstein) alueelle.

Tämä tunnus osoittaa, että sähkö- ja elektroniikkalaiteromua koskeva direktiivi (SER-direktiivi, 2012/19/EU) sekä kansallinen lainsäädäntö kieltävät tuotteen hävittämisen talousjätteen mukana. Tuote on vietävä asianmukaiseen keräyspisteeseen, esimerkiksi kodinkoneliikkeeseen uutta vastaavaa tuotetta ostettaessa tai viralliseen sähkö- ja elektroniikkalaiteromun keräyspisteeseen. Sähkö- ja elektroniikkalaiteromun virheellinen käsittely voi vahingoittaa ympäristöä ja ihmisten terveyttä, koska laitteet saattavat sisältää ympäristölle ja terveydelle haitallisia aineita. Lisäksi tuotteen asianmukainen hävittäminen säästää luonnonvaroja. Lisätietoja sähkö- ja elektroniikkalaiteromun keräyspisteistä saat kaupunkien ja kuntien tiedotuksesta, jätehuoltoviranomaisilta, sähkö- ja elektroniikkalaiteromun kierrätysjärjestelmän ylläpitäjältä ja jätehuoltoyhtiöltä. Lisätietoja sähkö- ja elektroniikkalaiteromun keräyksestä ja kierrätyksestä on osoitteessa www.canon-europe.com/sustainability/approach/.

Svenska

Endast för Europeiska unionen och EES (Norge, Island och Liechtenstein)

Den här symbolen visar att produkten enligt WEEE-direktivet (2012/19/EU) och nationell lagstiftning inte får sorteras och slängas som hushållsavfall. Den här produkten ska lämnas in på en därför avsedd insamlingsplats, t.ex. på en återvinningsstation auktoriserad att hantera elektrisk och elektronisk utrustning (EE-utrustning) eller hos handlare som är auktoriserade att byta in varor då nya, motsvarande köps (en mot en). Olämplig hantering av avfall av den här typen kan ha en negativ inverkan på miljön och människors hälsa på grund av de potentiellt farliga ämnen som kan återfinnas i elektrisk och elektronisk utrustning. Din medverkan till en korrekt avfallshantering av den här produkten bidrar dessutom till en effektiv användning av naturresurserna. Kontakta ditt lokala kommunkontor, berörd myndighet, företag för avfallshantering eller ta del av en godkänd WEEE-organisation om du vill ha mer information om var du kan lämna den kasserade produkten för återvinning. För mer information om inlämning och återvinning av WEEE-produkter, se www.canon-europe.com/sustainability/approach/.

Português

Apenas para a União Europeia e AEE (Noruega, Islândia e Liechtenstein)

Este símbolo indica que o produto não deve ser colocado no lixo doméstico, de acordo com a Diretiva REEE (2012/19/UE) e a legislação nacional. Este produto deverá ser colocado num ponto de recolha designado, por exemplo, num local próprio autorizado quando adquirir um produto semelhante novo ou num local de recolha autorizado para reciclar resíduos de equipamentos eléctricos e electrónicos (EEE). O tratamento inadequado deste tipo de resíduo poderá causar um impacto negativo no ambiente e na saúde humana devido às substâncias potencialmente perigosas normalmente associadas aos equipamentos eléctricos e electrónicos. Simultaneamente, a sua cooperação no tratamento correto deste produto contribuirá para a utilização eficaz dos recursos naturais. Para mais informações sobre os locais onde o equipamento poderá

ser reciclado, contacte os serviços locais, a autoridade responsável pelos resíduos, o esquema REEE aprovado ou o serviço de tratamento de lixo doméstico. Para mais informações sobre a devolução e reciclagem de produtos REEE, vá a www.canon-europe.com/sustainability/approach/.

Česká

Pouze Evropská unie a EHP (Norsko, Island a Lichtenštejnsko)

Tento symbol znamená, že podle směrnice o OEEZ (2012/19/EU) a podle vnitrostátních právních předpisů nemá být tento výrobek likvidován s odpadem z domácností. Tento výrobek má být vrácen do sběrného místa, např. v rámci autorizovaného systému odběru jednoho výrobku za jeden nově prodaný podobný výrobek nebo v autorizovaném sběrném místě pro recyklaci odpadních elektrických a elektronických zařízení (OEEZ). Nevhodné nakládání s tímto druhem odpadu by mohlo mít negativní dopad na životní prostředí a lidské zdraví, protože elektrická a elektronická zařízení zpravidla obsahují potenciálně nebezpečné látky. Vaše spolupráce na správné likvidaci tohoto výrobku současně napomůže efektivnímu využívání přírodních zdrojů. Další informace o místech sběru vašeho odpadního zařízení k recyklaci vám sdělí místní úřad vaší obce, správní orgán vykonávající dozor nad likvidací odpadu, sběrný OEEZ nebo služba pro odvoz komunálního odpadu. Další informace týkající se vrácení a recyklace OEEZ naleznete na adrese www.canon-europe.com/sustainability/approach/.

Ελληνικά

Μόνο για την Ευρωπαϊκή Ένωση και τον ΕΟΧ (Νορβηγία, Ισλανδία και Λιχτενστάιν)

Αυτό το σύμβολο υποδηλώνει ότι αυτό το προϊόν δεν πρέπει να απορρίπτεται μαζί με τα οικιακά απορρίμματα, σύμφωνα με την Οδηγία σχετικά με τα Απόβλητα Ηλεκτρικού και Ηλεκτρονικού Εξοπλισμού (ΑΗΗΕ) (2012/19/ΕΕ) και την εθνική σας νομοθεσία. Αυτό το προϊόν πρέπει να παραδίδεται σε καθορισμένο σημείο συλλογής, π.χ. σε μια εξουσιοδοτημένη βάση ανταλλαγής όταν αγοράζετε ένα νέο παρόμοιο προϊόν ή σε μια εξουσιοδοτημένη θέση

συλλογής για την ανακύκλωση των αποβλήτων Ηλεκτρικού και Ηλεκτρονικού Εξοπλισμού (ΗΗΕ). Ο ακατάλληλος χειρισμός αυτού του τύπου αποβλήτων μπορεί να έχει αρνητικό αντίκτυπο στο περιβάλλον και την υγεία του ανθρώπου, λόγω δυνητικών επικινδύνων ουσιών που γενικά συνδέονται με τον ΗΗΕ. Ταυτόχρονα, η συνεργασία σας όσον αφορά τη σωστή απόρριψη αυτού του προϊόντος θα συμβάλει στην αποτελεσματική χρήση των φυσικών πόρων. Για περισσότερες πληροφορίες σχετικά με τα σημεία όπου μπορείτε να απορρίψετε τον εξοπλισμό σας για ανακύκλωση, επικοινωνήστε με το τοπικό γραφείο της πόλης σας, την υπηρεσία απορριμμάτων, το εγκεκριμένο σχήμα ΑΗΗΕ ή την υπηρεσία απόρριψης οικιακών αποβλήτων. Για περισσότερες πληροφορίες σχετικά με την επιστροφή και την ανακύκλωση των προϊόντων ΑΗΗΕ, επισκεφθείτε την τοποθεσία www.canon-europe.com/sustainability/approach/.

Polski

Tylko dla krajów Unii Europejskiej oraz EOG (Norwegia, Islandia i Liechtenstein)

Ten symbol oznacza, że zgodnie z dyrektywą WEEE dotyczącą zużytego sprzętu elektrycznego i elektronicznego (2012/19/UE) oraz przepisami lokalnymi nie należy wyrzucać tego produktu razem z odpadami gospodarstwa domowego. Produkt należy przekazać do wyznaczonego punktu gromadzenia odpadów, np. firmie, od której kupowany jest nowy, podobny produkt lub do autoryzowanego punktu gromadzenia zużytego sprzętu elektrycznego i elektronicznego w celu poddania go recyklingowi. Usuwanie tego typu odpadów w nieodpowiedni sposób może mieć negatywny wpływ na otoczenie i zdrowie innych osób ze względu na niebezpieczne substancje stosowane w takim sprzęcie. Jednocześnie pozbycie się zużytego sprzętu w zalecany sposób przyczynia się do właściwego wykorzystania zasobów naturalnych. Aby uzyskać więcej informacji na temat punktów, do których można dostarczyć sprzęt do recyklingu, prosimy skontaktować się z lokalnym urzędem miasta, zakładem utylizacji odpadów, skorzystać z instrukcji zatwierdzonej dyrektywą WEEE lub skontaktować się z przedsiębiorstwem zajmującym się wywozem odpadów domowych. Więcej informacji o zwracaniu i recyklingu zużytego sprzętu elektrycznego i elektronicznego znajduje się w witrynie www.canon-europe.com/sustainability/approach/.

Magyar

Csak az Európai Unió és az EGT (Norvégia, Izland és Liechtenstein) országaiiban

Ez a szimbólum azt jelzi, hogy a helyi törvények és a WEEE-irányelv (2012/19/EU) szerint a termék nem kezelhető háztartási hulladékként. A terméket a kijelölt nyilvános gyűjtőpontokon kell leadni, például hasonló cserekészülék vásárlásakor, illetve bármelyik, elektromos és elektronikai berendezésekből származó hulladék (WEEE) átvételére feljogosított gyűjtőponton. Az ilyen jellegű hulladékok a nem megfelelő kezelés esetén a bennük található veszélyes anyagok révén ártalmasak lehetnek a környezetre és az emberek egészségére. Továbbá, a termékből származó hulladék megfelelő kezelésével hozzájárulhat a természetes nyersanyagok hatékonyabb hasznosításához. A berendezésekből származó, újrahasznosítható hulladékok elhelyezésére vonatkozó további tudnivalóért forduljon a helyi önkormányzathoz, a közterület-fenntartó vállalathoz, a háztartási hulladék begyűjtését végző vállalathoz, illetve a hivatalos WEEE-képviselőhöz. További tudnivalókat a WEEE-termékek visszajuttatásáról és újrahasznosításáról a www.canon-europe.com/sustainability/approach/.

Slovenský

Platí len pre štáty Európskej únie a EHP (Nórsko, Island a Lichtenštajnsko)

Tento symbol znamená, že podľa Smernice 2012/19/EÚ o odpade z elektrických a elektronických zariadení (OEEZ) a podľa platnej legislatívy Slovenskej republiky sa tento produkt nesmie likvidovať spolu s komunálnym odpadom. Produkt je potrebné odovzdať do určenej zberne, napr. prostredníctvom výmeny za kúpu nového podobného produktu, alebo na autorizované zberné miesto, ktoré spracúva odpad z elektrických a elektronických zariadení (EEZ). Nesprávna manipulácia s takýmto typom odpadu môže mať negatívny vplyv na životné prostredie a ľudské zdravie, pretože elektrické a elektronické zariadenia obsahujú potenciálne nebezpečné látky. Spoluprácou na správnej likvidácii produktu prispějete k účinnému využívaniu prírodných zdrojov.

Ďalšie informácie o mieste recyklácie opotrebovaných zariadení získate od miestneho úradu, úradu životného prostredia, zo schváleného plánu OEEZ alebo od spoločnosti, ktorá zaisťuje likvidáciu komunálneho odpadu. Viac informácií nájdete aj na webovej stránke: www.canon-europe.com/sustainability/approach/.

български

Само за Европейския съюз и ЕИП (Норвегия, Исландия и Лихтенщайн)

Този символ показва, че този продукт не трябва да се изхвърля заедно с битовите отпадъци, съгласно Директивата за ИУЕЕО (2012/19/ЕС) и Вашето национално законодателство. Този продукт трябва да бъде предаден в предназначен за целта пункт за събиране, например на база размяна, когато купувате нов подобен продукт, или в одобрен събирателен пункт за рециклиране на излязло от употреба електрическо и електронно оборудване (ИУЕЕО). Неправилното третиране на този тип отпадъци може да доведе до евентуални отрицателни последици за околната среда и човешкото здраве поради потенциално опасните вещества, които обикновено са свързани с ЕЕО. В същото време Вашето съдействие за правилното изхвърляне на този продукт ще допринесе за ефективното използване на природните ресурси. Повече информация относно местата, където може да предавате излязло от употреба оборудване за рециклиране, може да получите от местните власти, от органа, отговорен за отпадъците и от одобрена система за излязло от употреба ЕЕО или от Вашата местна служба за битови отпадъци. За повече информация относно връщането и рециклирането на продукти от излязло от употреба ЕЕО посетете www.canon-europe.com/sustainability/approach/.

Română

Doar pentru Uniunea Europeană și EEA (Norvegia, Islanda și Liechtenstein)

Acest simbol indică faptul că acest produs nu trebuie aruncat o dată cu reziduurile menajere, în conformitate cu Directiva DEEE (Directiva privind deșeurile de echipamente electrice și electronice) (2012/19/

UE) și legile naționale. Acest produs trebuie transportat la un punct de colectare special, de exemplu un centru care preia produsele vechi atunci când achiziționați un produs nou similar, sau la un punct de colectare autorizat pentru reciclarea deșeurilor provenite de la echipamentele electrice și electronice (EEE). Mănuirea necorespunzătoare a acestor tipuri de deșeuri poate avea un impact negativ asupra mediului înconjurător și sănătății indivizilor, din cauza substanțelor potențial nocive care sunt în general asociate cu EEE. În același timp, cooperarea dvs. la reciclarea corectă a acestui produs va contribui la utilizarea efectivă a resurselor naturale. Pentru mai multe informații privind locurile de reciclare a deșeurilor provenite de la echipamente, contactați biroul primăriei locale, autoritatea responsabilă cu colectarea deșeurilor, schema DEEE aprobată sau serviciul de colectare a deșeurilor menajere. Pentru mai multe informații privind returnarea și reciclarea produselor DEEE, vizitați www.canon-europe.com/sustainability/approach/.

Slovenčina

Samo za Evropsko unijo in EGP (Norveška, Islandija in Lihtenštajn)

Ta simbol pomeni, da tega izdelka v skladu z direktivo OEEO (2012/19/EU) in državno zakonodajo ne smete odvreči v gospodinjske odpadke. Ta izdelek morate odložiti na ustrezno zbiralno mesto, na primer pri pooblaščenem prodajalcu, ko kupite podoben nov izdelek ali na zbiralno mesto za recikliranje električne in elektronske opreme. Neprimerno ravnanje s takšnimi odpadki lahko negativno vpliva na okolje in človekovo zdravje zaradi nevarnih snovi, ki so povezane z električno in elektronsko opremo. S pravilno odstranitvijo izdelka hkrati prispevate tudi k učinkoviti porabi naravnih virov. Če želite več informacij o tem, kje lahko odložite odpadno opremo za recikliranje, pokličite občinski urad, komunalno podjetje ali službo, ki skrbi za odstranjevanje odpadkov, ali si oglejte načrt OEEO. Če želite več informacij o vračanju in recikliranju izdelkov v skladu z direktivo OEEO, obiščite www.canon-europe.com/sustainability/approach/.

Hrvatski

Samo za Europsku uniju i EEA (Norveška, Island i Lihtenštajn)

Ovaj simbol pokazuje da se ovaj proizvod ne smije odlagati s komunalnim i ostalim otpadom sukladno WEEE Direktivi (2012/19/EC) i Pravilniku o gospodarenju otpadnim električnim i elektroničkim uređajima i opremom. Ovaj proizvod je potrebno predati ovlaštenom skupljaču EE otpada ili prodavatelju koji je dužan preuzeti otpadni proizvod po sistemu jedan za jedan, ukoliko isti odgovara vrsti te je obavljao primarne funkcije kao i isporučena EE oprema. Nepropisno rukovanje ovom vrstom otpada može imati negativan učinak na okolinu i zdravlje ljudi zbog supstanci koje su potencijalno opasne za zdravlje, a općenito se povezuju s EEE. Istovremeno, vaša će suradnja kroz propisno odlaganje ovog proizvoda doprinijeti efektivnoj uporabi prirodnih resursa. Za više informacija o tome gdje možete odložiti svoj otpad za recikliranje obratite se vašem lokalnom gradskom uredu, komunalnoj službi, odobrenom WEEE programu ili službi za odlaganje kućnog otpada. Ostale informacije o vraćanju i recikliranju WEEE proizvoda potražite na www.canon-europe.com/sustainability/approach/.

Català

Només per a la Unió Europea i a l'Espai Econòmic Europeu (Noruega, Islàndia i Liechtenstein)

Aquest símbol indica que aquest producte no s'ha de llençar a les escombraries de la llar, d'acord amb la Directiva RAEE (2012/19/UE) i la legislació nacional. Aquest producte s'hauria de lliurar en un dels punts de recollida designats, com per exemple, intercanviant-lo un per un en comprar un producte similar o lliurant-lo en un lloc de recollida autoritzat per al reciclatge de residus d'aparells elèctrics i electrònics (AEE). La manipulació inadequada d'aquest tipus de residus podria tenir un impacte negatiu en l'entorn i en la salut humana, a causa de les substàncies potencialment perilloses que normalment estan associades als AEE. Així mateix, la vostra cooperació a l'hora de llençar correctament aquest producte contribuirà a la utilització efectiva dels recursos naturals. Per a més informació sobre els punts on podeu lliurar aquest producte per procedir al seu reciclatge,

adreceu-vos a la vostra oficina municipal, a les autoritats encarregades dels residus, al pla de residus homologat per la RAEE o al servei de recollida de deixalles domèstiques de la vostra localitat. Per a més informació sobre la devolució i el reciclatge de productes RAEE, visiteu www.canon-europe.com/sustainability/approach/.

Eesti

Üksnes Euroopa Liit ja EMP (Norra, Island ja Liechtenstein)

See sümbol näitab, et antud toodet ei tohi vastavalt elektri- ja elektroonikaseadmete jäätmeid käsitlevale direktiivile (2012/19/EL) ning teie riigis kehtivatele õigusaktidele utiliseerida koos olmejäätmetega. Antud toode tuleb anda selleks määratud kogumispunkti, nt müügipunkt, mis on volitatud üks ühe vastu vahetama, kui ostate uue sarnase toote, või elektri- ja elektroonikaseadmete jäätmete ümbertöötlemiseks mõeldud kogumispunkti. Täiendava teabe saamiseks elektri- ja elektroonikaseadmetest tekkinud jäätmete tagastamise ja ümbertöötlemise kohta võtke ühendust kohaliku omavalitsusega, asjakohase valitsusasutusega, asjakohase tootjavastutusorganisatsiooniga või olmejäätmete käitlejaga. Lisateavet leiate ka Interneti-leheküljelt www.canon-europe.com/sustainability/approach/.

Latviešu

Tikai Eiropas Savienībai un EEZ (Norvēģijai, Islandei un Lihtenšteinai)

Šis simbols norāda, ka atbilstoši ES Direktīvai (2012/19/ES) par elektrisko un elektronisko iekārtu atkritumiem (EEIA) un vietējiem tiesību aktiem no šī izstrādājuma nedrīkst atbrīvoties, izmetot to kopā ar sadzīves atkritumiem. Šis izstrādājums ir jānodod piemērotā savākšanas vietā, piemēram, apstiprinātā veikalā, kur iegādājaties līdzīgu jaunu produktu un atstājat veco, vai apstiprinātā vietā izlietotu elektrisko un elektronisko iekārtu pārstrādei. Nepareiza šāda veida atkritumu apsaimniekošana var apdraudēt vidi un cilvēka veselību tādu iespējami bīstamu vielu dēļ, kas parasti ir elektriskajās un elektroniskajās iekārtās. Turklāt jūsu atbalsts pareizā šāda veida

atkritumu apsaimniekošanā sekmēs efektīvu dabas resursu izmantošanu. Lai saņemtu pilnīgāku informāciju par vietām, kur izlietoto iekārtu var nodot pārstrādei, sazinieties ar vietējo pašvaldību, atkritumu savākšanas atbildīgo dienestu, pilnvarotu EEIA struktūru vai sadzīves atkritumu apsaimniekošanas iestādi. Lai saņemtu plašāku informāciju par elektrisko un elektronisko iekārtu nodošanu pārstrādei, apmeklējiet tīmekļa vietni www.canon-europe.com/sustainability/approach/.

Lietuvių

Tik Europos Sąjungai ir EEE (Norvegijai, Islandijai ir Lichtenšteinui)

Šis ženklas reiškia, kad gaminio negalima išmesti su buitinėmis atliekomis, kaip yra nustatyta Direktyvoje (2012/19/ES) ir nacionaliniuose teisė aktuose dėl EEĮ atliekų tvarkymo. Šį gaminį reikia atiduoti į tam skirtą surinkimo punktą, pvz., pagal patvirtintą keitimo sistemą, kai perkamas panašus gaminytis, arba į elektros ir elektroninės įrangos (EEĮ) atliekų perdirbimo punktą. Netinkamas tokios rūšies atliekų tvarkymas dėl elektros ir elektroninėje įrangoje esančių pavojingų medžiagų gali pakenkti aplinkai ir žmonių sveikatai. Padėdami užtikrinti tinkamą šio gaminio šalinimo tvarką, kartu prisidėsite prie veiksmingo gamtos išteklių naudojimo. Jei reikia daugiau informacijos, kaip šalinti tokias atliekas, kad jos būtų toliau perdirbamos, kreipkitės į savo miesto valdžios institucijas, atliekų tvarkymo organizacijas, patvirtintų EEĮ atliekų sistemų arba jūsų buitinių atliekų tvarkymo įstaigų atstovus. Išsamesnės informacijos apie EEĮ atliekų grąžinimo ir perdirbimo tvarką galite rasti apsilankę tinklalapyje www.canon-europe.com/sustainability/approach/.

Srpski

Ovaj simbol označava da ovaj proizvod ne sme da se odlaže sa ostalim kućnim otpadom, u skladu sa WEEE Direktivom (2012/19/EU) i nacionalnim zakonom. Ovaj proizvod treba predati određenom centru za prikupljanje, npr. na osnovi "jedan-za-jedan" kada kupujete sličan novi proizvod, ili ovlašćenom centru za prikupljanje za reciklažu istrošene električne i elektronske opreme (EEE). Nepravilno rukovanje ovom vrstom otpada može da ima moguće negativne posledice po životnu sredinu i ljudsko zdravlje usled potencijalno

opasnih materijala koji se uglavnom vezuju za EEE. U isto vreme, vaša saradnja na ispravnom odlaganju ovog proizvoda će doprineti efikasnom korišćenju prirodnih resursa. Za više informacija o tome gde možete da predate vašu staru opremu radi recikliranja, vas molimo, da kontaktirate lokalne gradske vlasti, komunalne službe, odobreni plan reciklaže ili Gradsku čistoću. Za više informacija o vraćanju i recikliranju WEEE proizvoda, posetite stranicu www.canon-europe.com/sustainability/approach/.

Српски

Ovaj simbol označava da ovaj proizvod ne sme da se odlaže sa ostalim kućnim otpadom, u skladu sa WEEE Direktivom (2012/19/EU) i nacionalnim zakonima. Ovaj proizvod treba predati određenom centru za prikupljanje, npr. na osnovi "staro za novo" kada kupujete sličan novi proizvod, ili ovlašćenom centru za reciklažu istrošene električne i elektronske opreme (EEE). Nepravilno rukovanje ovom vrstom otpada može da ima moguće negativne uticaje po životnu sredinu i ljudsko zdravlje usled potencijalno opasnih materijala koje se uglavnom vezuju za EEE. U isto vreme, vaša saradnja na ispravnom odlaganju ovog proizvoda će doprineti efikasnom korišćenju prirodnih resursa. Za više informacija o tome gde možete da predate vašu staru opremu radi recikliranja, molimo Vas da kontaktirate lokalne gradske vlasti, komunalne službe, odobreni plan reciklaže ili Gradsku čistoću. Za više informacija o vraćanju i recikliranju WEEE proizvoda, posetite stranicu www.canon-europe.com/sustainability/approach/.

Safety-related markings on the machine**Marquages de sécurité sur la machine****Marchature di sicurezza sulla macchina****Sicherheitshinweise auf der Maschine****Marcas de la máquina relacionadas con la seguridad****Veiligheidsmarkeringen op de machine****Makine üzerindeki güvenlik işaretleri**

[English]	Switch (On)	Power on
[Français]	Commutateur (Marche)	Sous tension
[Italiano]	Interruttore (On)	Alimentazione presente
[Deutsch]	Schalter (Ein)	Eingeschaltet
[Español]	Interruptor (encendido)	Máquina encendida
[Nederlands]	Schakelaar (On)	Aan
[Türkçe]	Anahtar (Açık)	Güç açık



[English]	Switch (Off)	Power off (no standby current)
[Français]	Commutateur (Arrêt)	Hors tension (pas de courant de veille)
[Italiano]	Interruttore (Off)	Alimentazione assente (nessuna corrente di standby)
[Deutsch]	Schalter (Aus)	Ausgeschaltet (ohne Ruhestromaufnahme)
[Español]	Interruptor (apagado)	Máquina apagada (sin corriente en espera)
[Nederlands]	Schakelaar (Off)	Uit (geen stand-byverbruik)
[Türkçe]	Anahtar (Kapalı)	Güç kapalı (bekleme akımı yok)



[English]	Switch (Standby)	Power on/off (standby current on)
[Français]	Commutateur (Veille)	Sous/hors tension (courant de veille activé)
[Italiano]	Interruttore (Standby)	Alimentazione on/off (corrente di standby presente)
[Deutsch]	Schalter (Standby)	Ein- und Ausschalten (mit Ruhestromaufnahme)
[Español]	Interruptor (en espera)	Máquina apagada/encendida (con corriente en espera)
[Nederlands]	Schakelaar (Standby)	Aan-uit (stand-byverbruik aan)
[Türkçe]	Anahtar (Bekleme)	Güç açık/kapalı (bekleme akımı açık)



[English]	Switch (Push-On/Push-Off)	Power on/off (no standby current)
[Français]	Commutateur (Appuyer pour mettre en marche/Appuyer pour arrêter)	Sous/hors tension (pas de courant de veille)
[Italiano]	Interruttore a pulsante bistabile (On/Off)	Alimentazione on/off (nessuna corrente di standby)
[Deutsch]	Schalter (Ein- und Ausschalten durch Drücken)	Ein- und Ausschalten (ohne Ruhestromaufnahme)
[Español]	Interruptor (pulsado para encendido/apagado)	Encendido/apagado (sin corriente en espera)
[Nederlands]	Schakelaar (Push-On/Push-Off)	Aan-uit (geen stand-byverbruik)
[Türkçe]	Anahtar (Bas-Aç/Bas-Kapa)	Güç açık/kapalı (bekleme akımı yok)



[English]	Heat hazard	Heat hazard
[Français]	Danger de chaleur	Danger de chaleur
[Italiano]	Pericolo: temperature elevate	Pericolo: temperature elevate
[Deutsch]	Überhitzungsgefahr	Überhitzungsgefahr
[Español]	Peligro de calentamiento	Peligro de calentamiento
[Nederlands]	Verbrandingsgevaar	Verbrandingsgevaar
[Türkçe]	Isı tehlikesi	Isı tehlikesi



[English]	Class II equipment	Indicates this is Class II equipment
[Français]	Équipement de classe II	Indique qu'il s'agit d'un équipement de classe II
[Italiano]	Apparecchio classe II	Indica che questo è un apparecchio di classe II
[Deutsch]	Gerät der Schutzklasse II	Gibt an, dass das Gerät der Schutzklasse II entspricht
[Español]	Equipo de clase II	Indica que se trata de un equipo de clase II
[Nederlands]	Klassell-apparatuur	Geeft aan dat deze apparatuur in Klasse II hoort
[Türkçe]	Sınıf II ekipman	Bunun Sınıf II ekipman olduğunu gösterir



[English]	DC symbol	Indicates direct current
[Français]	Symbole CC	Indique qu'il s'agit de courant continu
[Italiano]	Simbolo corrente continua (C.C.)	Indica la corrente continua
[Deutsch]	Gleichstrom-Symbol	Kennzeichnet Gleichstrom
[Español]	Símbolo CC	Indica corriente continua
[Nederlands]	DC-pictogram	Geeft gelijkstroom aan
[Türkçe]	DC sembolü	Düz akımı gösterir



[English]	DC polarity	Indicates the power plug polarity
[Français]	Polarité CC	Indique la polarité de la fiche d'alimentation
[Italiano]	Polarità C.C.	Indica la polarità dello spinotto di alimentazione
[Deutsch]	Gleichstrompolarität	Gibt die Polarität des Netzsteckers an
[Español]	Polaridad de CC	Indica la polaridad del conector de alimentación
[Nederlands]	DC-polariteit	Geeft de polariteit van de stekker aan
[Türkçe]	DC polaritesi	Fiş polaritesini gösterir



[English]	Electrostatic precaution	Avoid applying static electricity to the machine
[Français]	Précaution électrostatique	Évitez de soumettre cette machine à de l'électricité statique
[Italiano]	Protezione dalle cariche elettrostatiche	Evitare di applicare cariche elettrostatiche alla macchina
[Deutsch]	Warnung vor elektrostatischer Aufladung	Elektrostatische Aufladung der Maschine vermeiden
[Español]	Precaución electroestática	No aplique electricidad electroestática
[Nederlands]	Elektrostatische voorzorgen	Voorkom statische elektriciteit op de machine
[Türkçe]	Elektrostatik önlemleri	Makineye statik elektrik vermeyin



CANON ELECTRONICS INC.

3-5-10, Shibakoen, Minato-ku, Tokyo 105-0011, Japan

CANON U.S.A. INC.

ONE CANON PARK, MELVILLE, NY 11747, U.S.A.

CANON CANADA INC.

8000 Mississauga Road Brampton, Ontario L6Y 5Z7, CANADA

CANON EUROPA N.V.

BOVENKERKERWEG 59, 1185 XB AMSTELVEEN, THE NETHERLANDS

CANON AUSTRALIA PTY. LTD.

BUILDING A, THE PARK ESTATE, 5 TALAVERA ROAD, MACQUARIE PARK, NSW 2113, AUSTRALIA

CANON SINGAPORE PTE. LTD.

1 FUSIONPOLIS PLACE, #14-10, GALAXIS, SINGAPORE 138522

CANON INDIA PVT. LTD

7TH FLOOR, TOWER B DLF CYBER TERRACES DLF PHASE III GURGAON-122002 HARYANA, INDIA

PUB. 6T3-0127-E1.10

© CANON ELECTRONICS INC. 2021