



# **MAG Series**

## **PC Case**

MAG PANO 100L PZ  
MAG PANO 100L PZ WHITE

User Guide

# Contents

Specifications.....	3
Accessories.....	5
Case Features.....	6
Side and Front View.....	7
I/O and Buttons.....	8
Side Panel Removal.....	9
Side Dust Filter Removal.....	10
Side Dust Filter Installation.....	11
Top Panel Removal.....	12
Front Bezel Removal.....	13
Motherboard Installation.....	14
Graphics Card Brackets Replacement.....	15
Horizontal Graphics Card Installation.....	16
Vertical Graphics Card Installation.....	17
GPU Holder Installation and Adjustment.....	18
Opening Cable Management Door.....	19
HDD & SSD Installation.....	20
PSU Installation.....	21
Fan Compatibility and Setup.....	22
Radiator Compatibility and Setup.....	23
Panel I/O Connection.....	24
Front Bezel ARGB LED Connection.....	25
General Information.....	26

# Specifications

## Basic Information

Case Type	Mid Tower
Dimensions (DxWxH)	518.7 x 290 x 482mm
Supported Motherboard Sizes	ATX* (305 x 244mm), Micro-ATX*, Mini-ITX * Supports ATX and Micro-ATX back-connect motherboards

## Cooling Fan Support

Top	3 x 120mm or 3 x 140mm
Front	No
Rear	1 x 120mm
Side	3 x 120mm or 2 x 140mm
Bottom	3 x 120mm, 2 x 140mm or 2 x 160mm

## Expansion Slots

Horizontal GPU Bracket	8 slots
Vertical GPU Bracket (pre-installed)	4 slots

## Drive Bays

2.5" SSD	5
3.5" HDD	2
Combo 3.5"/2.5"	2 x 2.5" or 2 x 3.5"

## I/O Ports and Buttons

USB Ports	2 x USB 5Gbps Type-A 1 x USB 20Gbps Type-C
Audio Ports	1 x Audio/Microphone combo jack
Buttons	1 x Power button 1 x Reset button











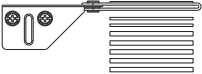
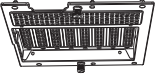
## Chassis Clearances

Maximum CPU Cooler Height	166 mm
Maximum GPU Length	380 mm
Top Radiator Support	360 mm
Rear Radiator Support	120 mm
Side Radiator Support	360 mm
Bottom Radiator Support	360 mm
PSU Support	200 mm

## Materials

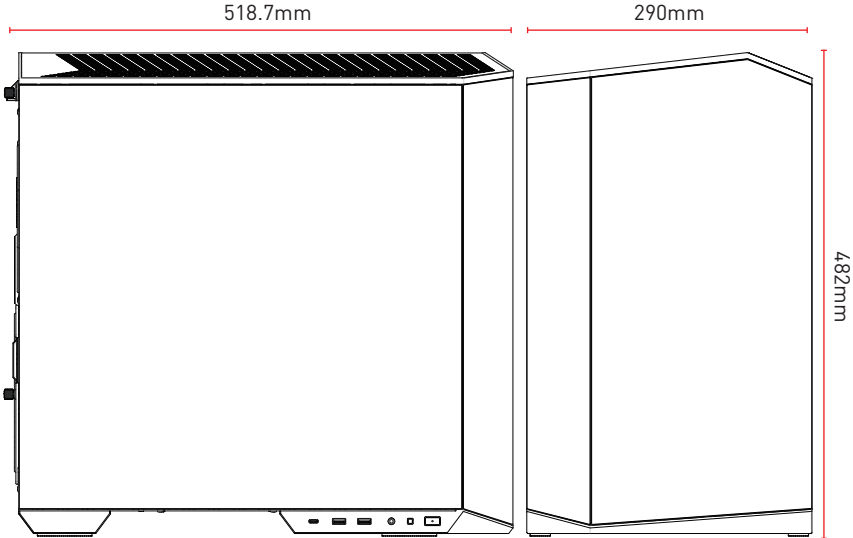
Metal Specification	SPCC 0.8 mm
Front Bezel Material	4mm tempered glass
Left Side Panel	4mm tempered glass
Top Bezel	Internal plastic structure enclosed in metal
Dust Filter	Top: Plastic filter Right: Plastic, magnetic frame Bottom: Plastic, magnetic frame
GPU holder	Steel

# Accessories

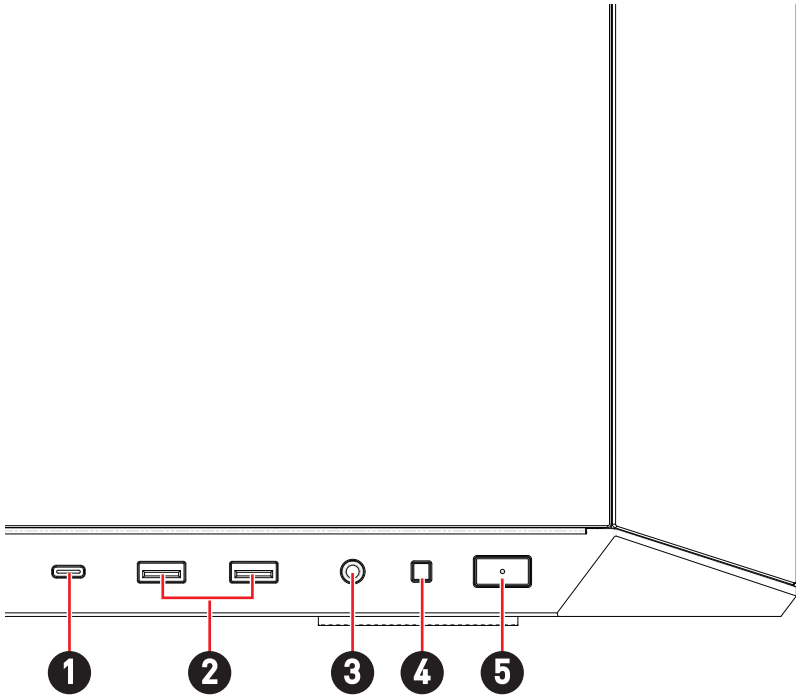
Item	Name / Q'ty	Used for
	Cable ties x5	Cable management
	Screw M3 5mm x21	Motherboard / SSD
	Screw #6-32 6mm x6	Securing PSU / PCIe Card
	Screw #6-32 10mm x8	3.5" HDD
	Screw M3 10mm x8	2.5" SSD
	HDD silicone shock absorber pad x6	Protecting HDD from physical shocks and vibrations
	Stand-off #6-32 6.5mm x4	Motherboard Stud
	Stand-off Mounting Tool x1	Securing stand-off
	Spare U Clip x2	Securing side panel
	Hook-and-loop fastener x1	Cable management
	GPU Holder x1 56*10*2mm EVA pad x2 56*10*10mm EVA pad x5	Supporting the horizontal graphics card
	Horizontal Graphics Card Bracket x1	Installing the horizontal graphics card



# Side and Front View



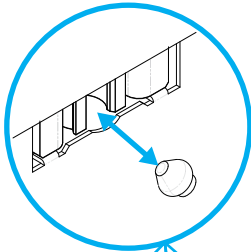
# I/O and Buttons



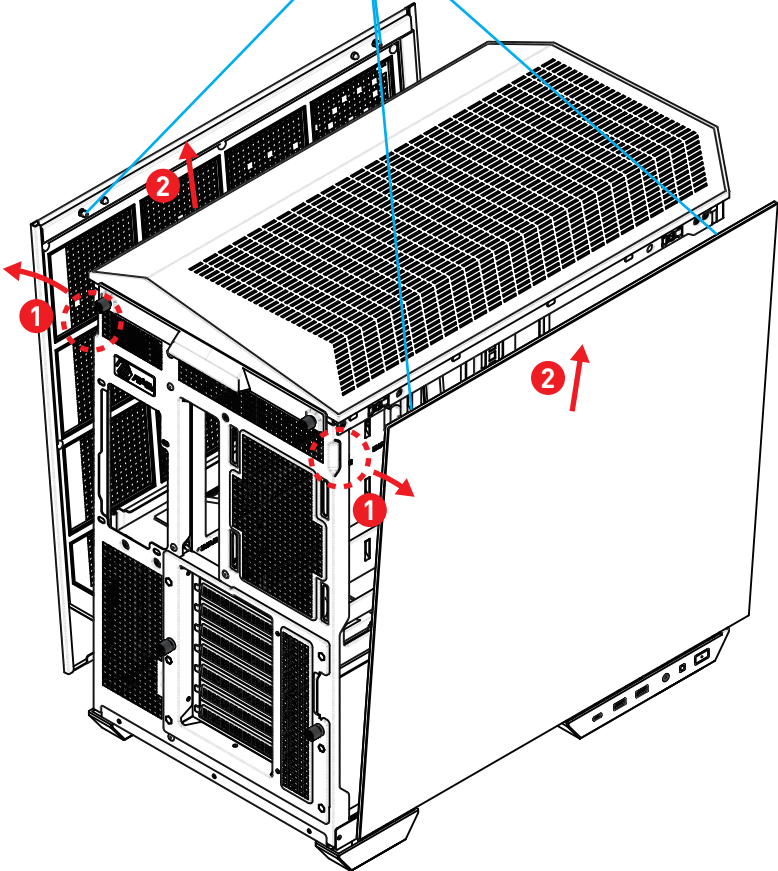
Item	Description
1	USB 20Gbps Type-C
2	USB 5Gbps Type-A
3	Audio/Microphone combo jack
4	Reset button
5	Power button



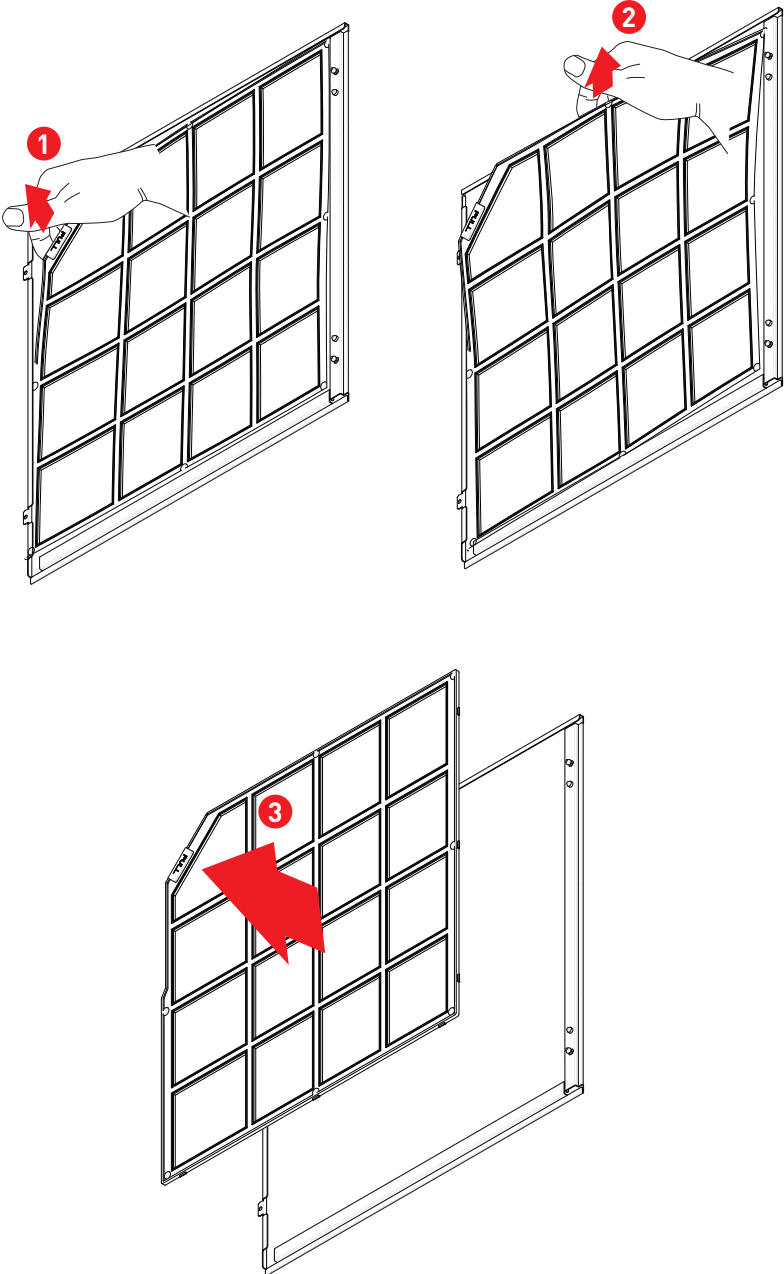
# Side Panel Removal



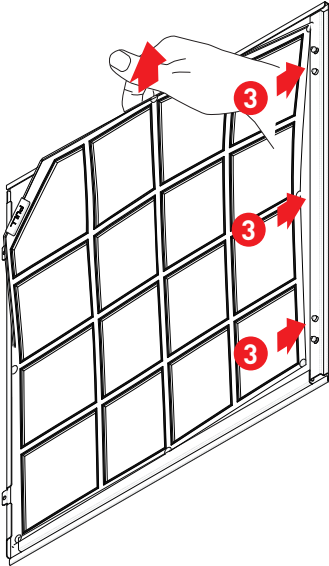
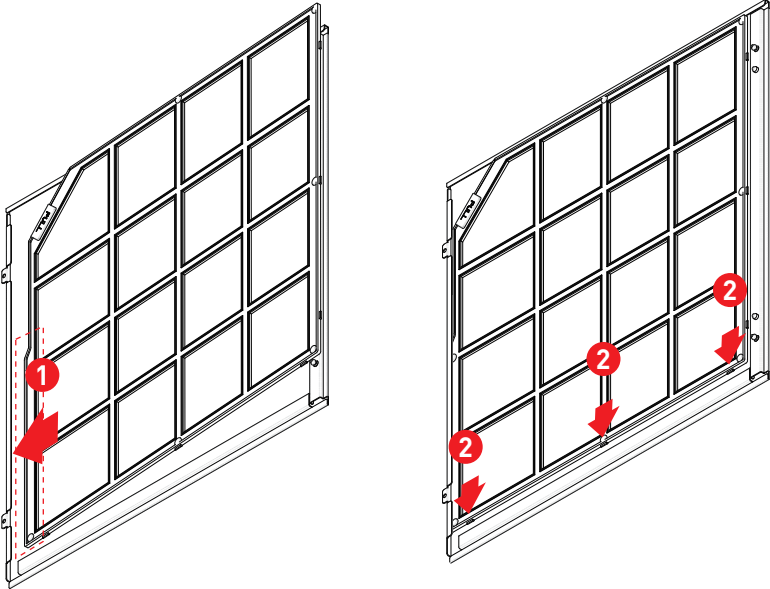
The side panel is held in place by snap-fit clips



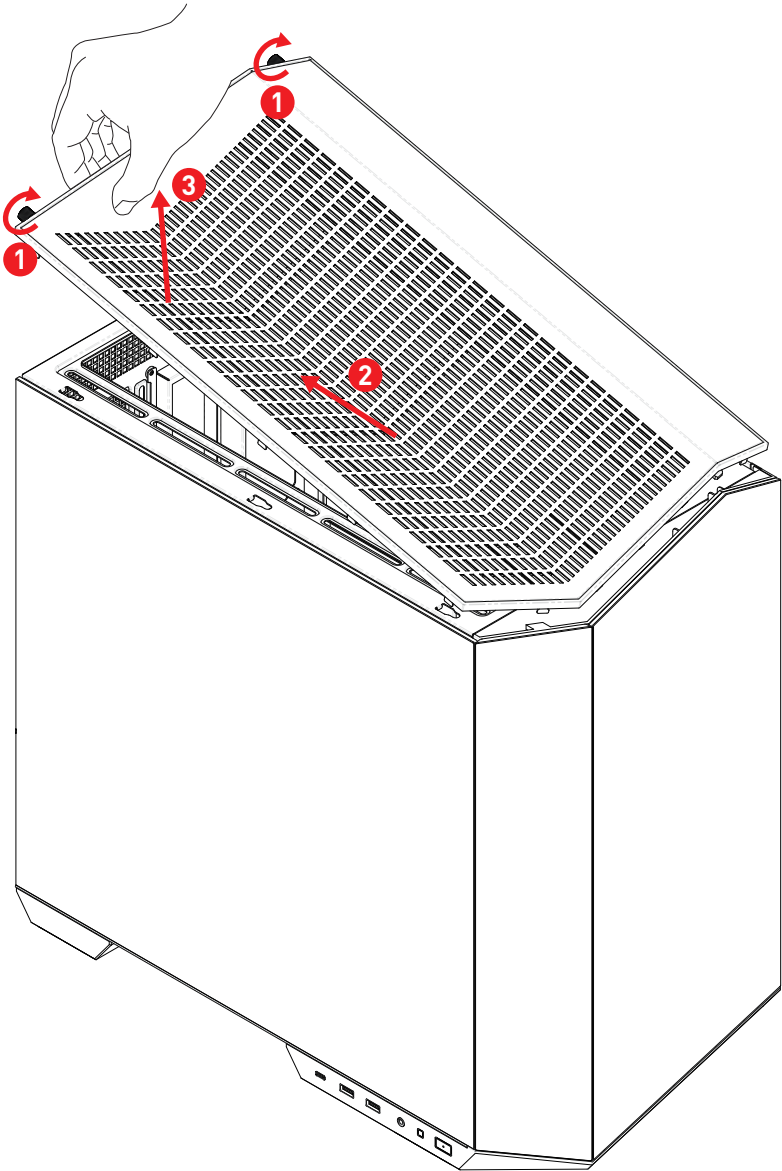
# Side Dust Filter Removal



# Side Dust Filter Installation



# Top Panel Removal

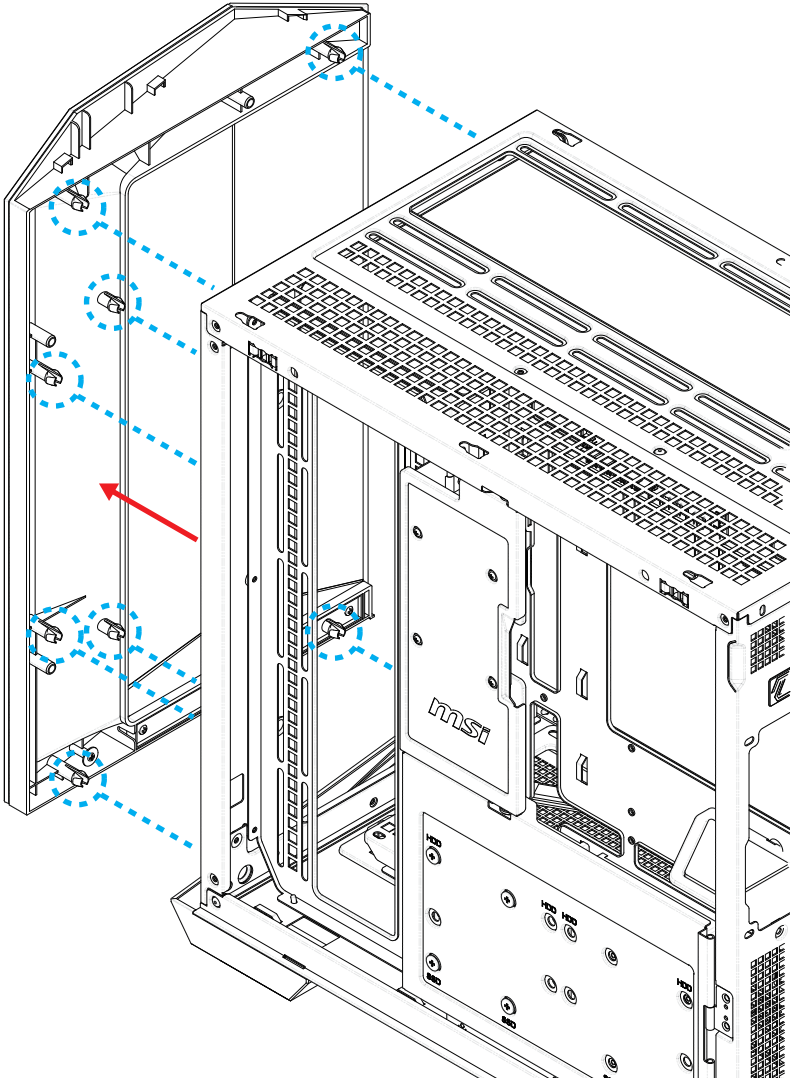


# Front Bezel Removal

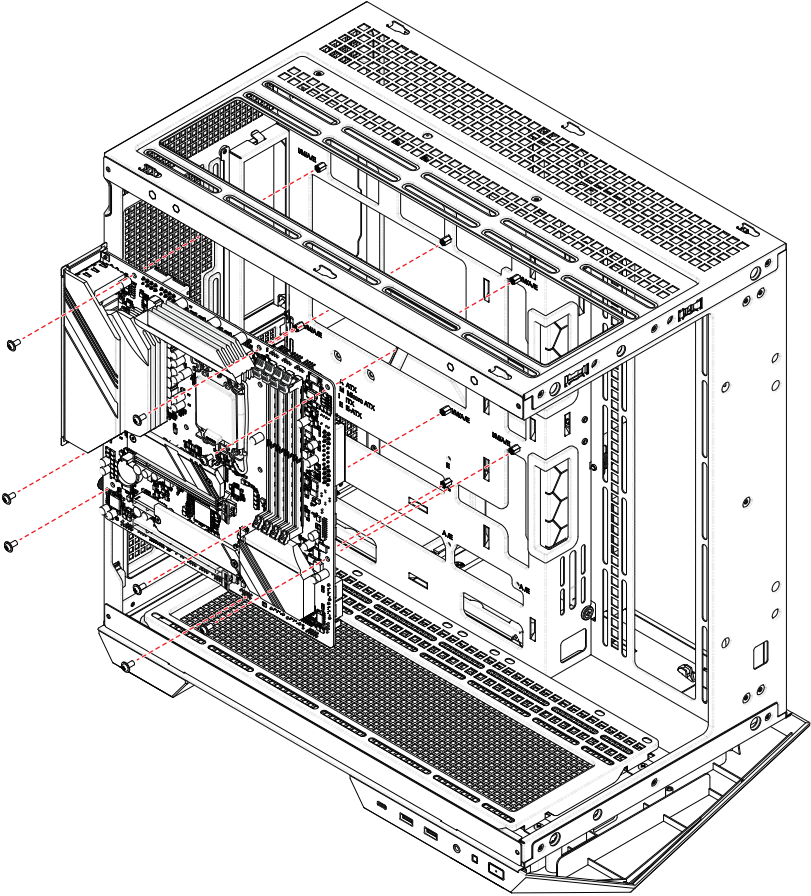
Before removing the front bezel, please remove the top panel and side panels on both sides and gently pull out the front panel with your hand.



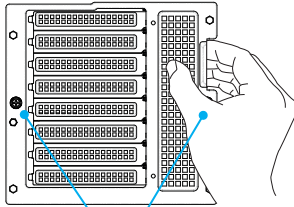
*When pulling the front panel, please pull the plastic shell part with your hands and avoid pulling on the glass to avoid breakage.*



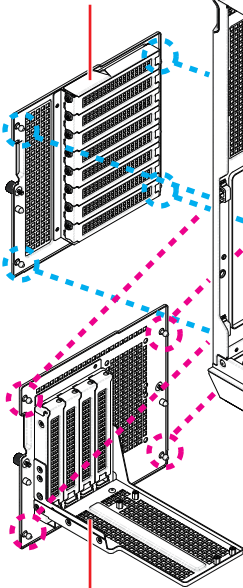
# Motherboard Installation



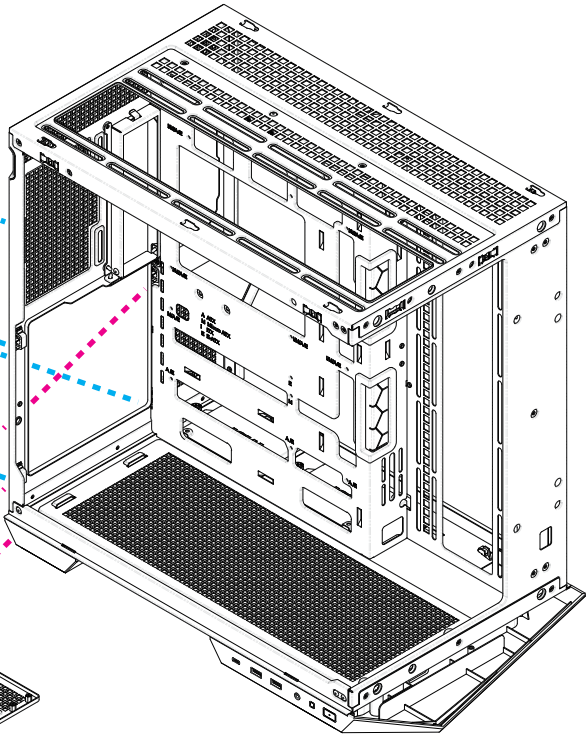
# Graphics Card Brackets Replacement



Horizontal Graphics Card Bracket

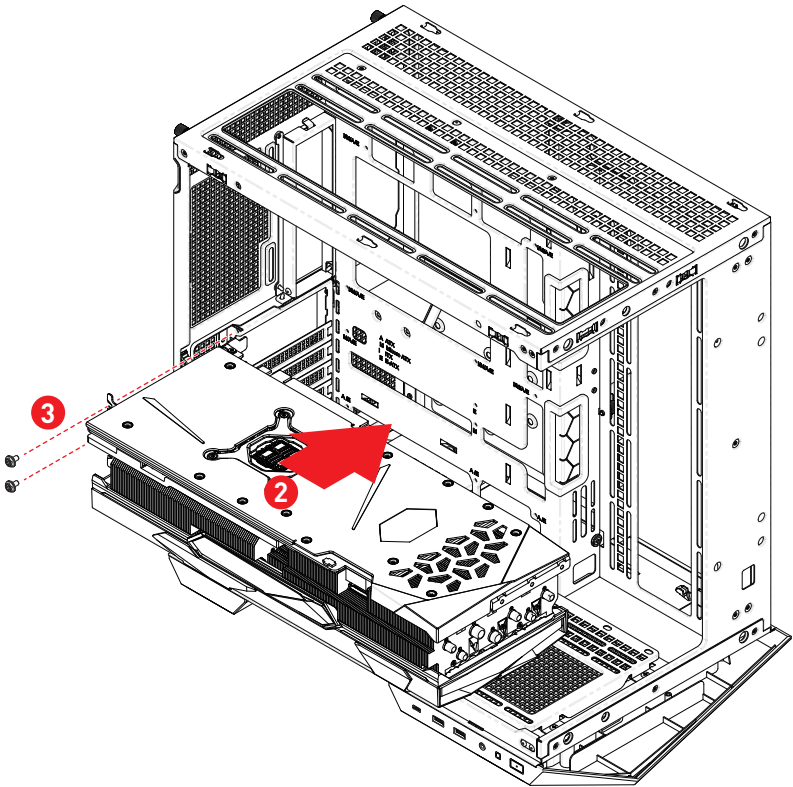
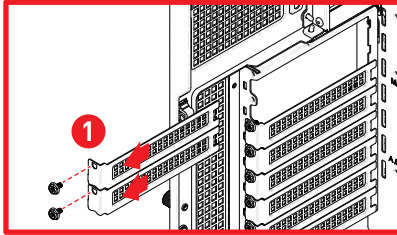


Vertical Graphics Card Bracket



# Horizontal Graphics Card Installation

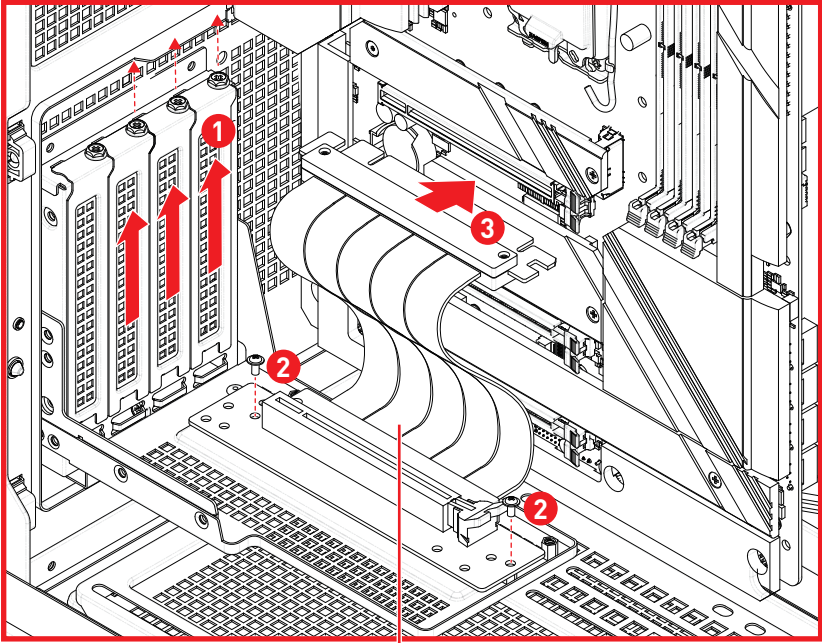
Before horizontally installing the graphics card, please refer to the **Graphics Card Brackets Replacement** section and replace it with the Horizontal Graphics Card Bracket.



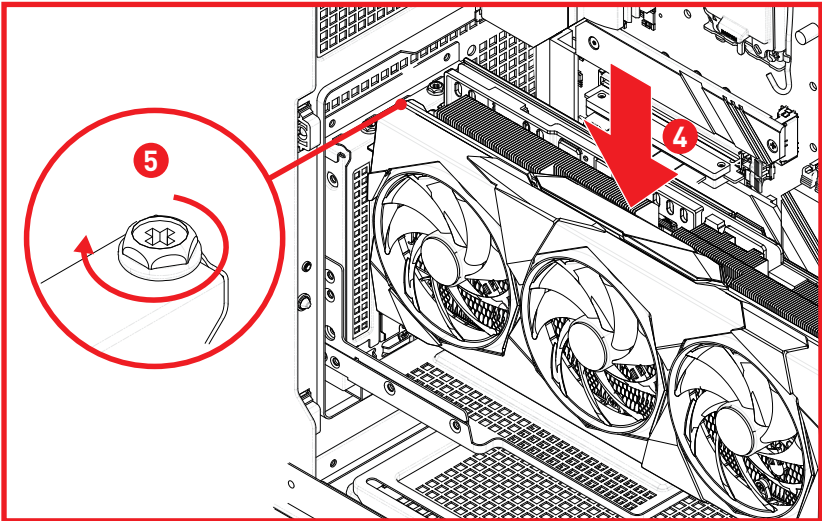


# Vertical Graphics Card Installation

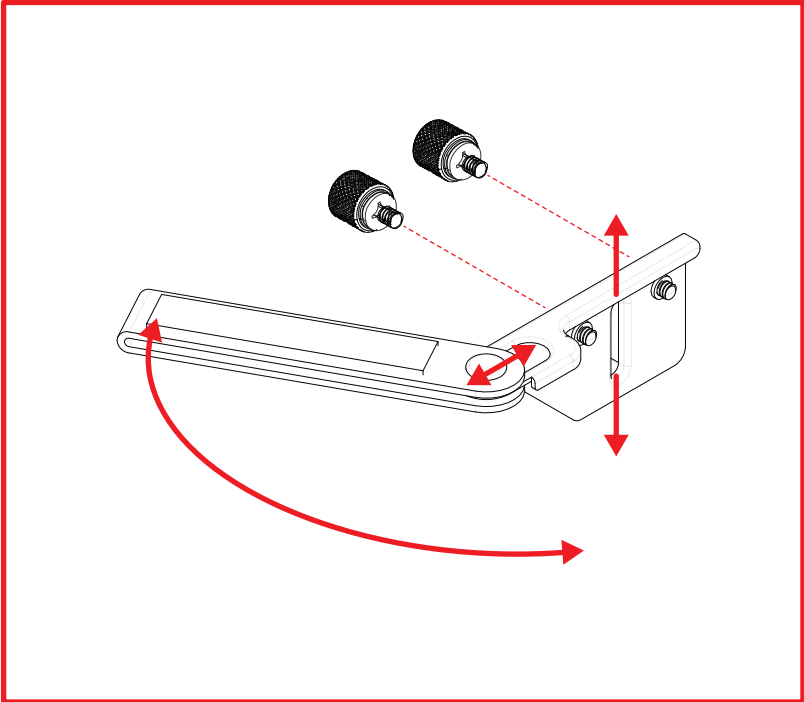
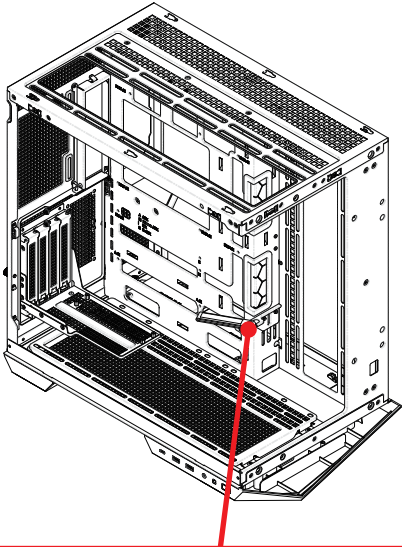
Before vertically installing the graphics card, please refer to the **Graphics Card Brackets Replacement** section and replace it with the Vertical Graphics Card Bracket.



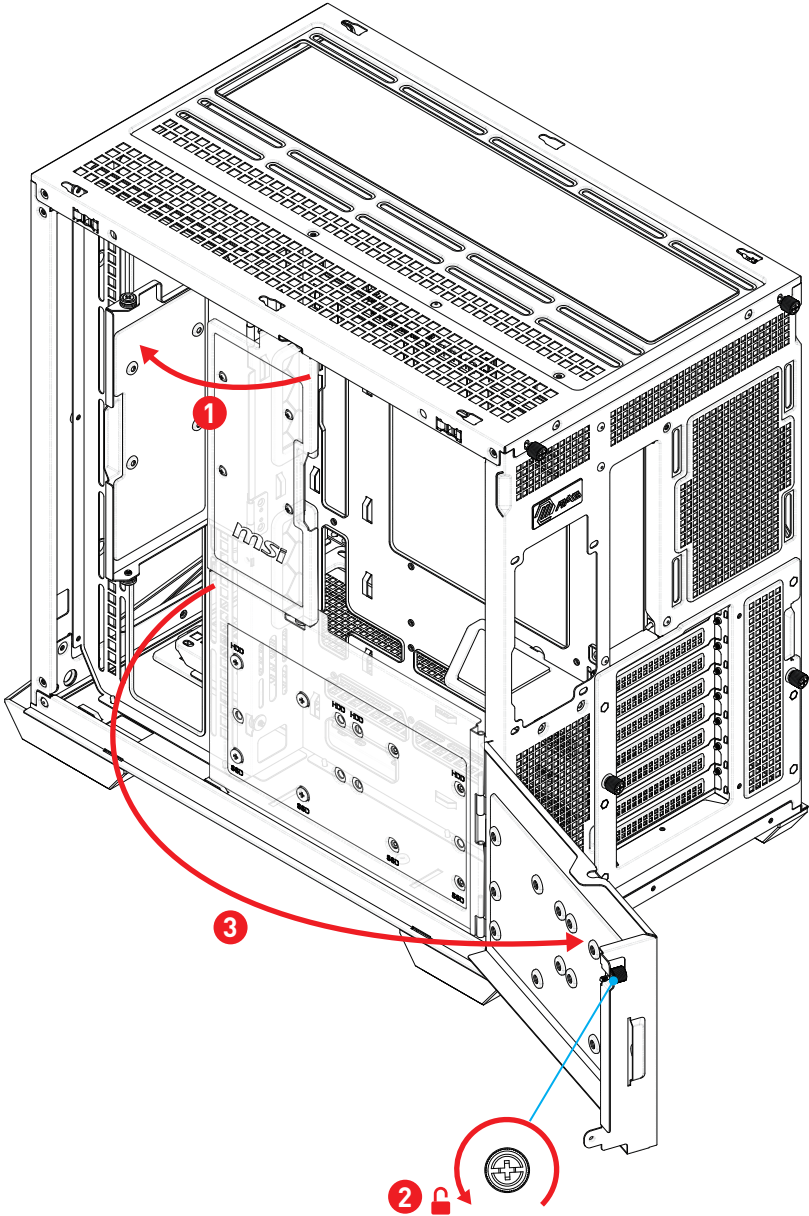
The riser cable needs to be purchased separately.



# GPU Holder Installation and Adjustment

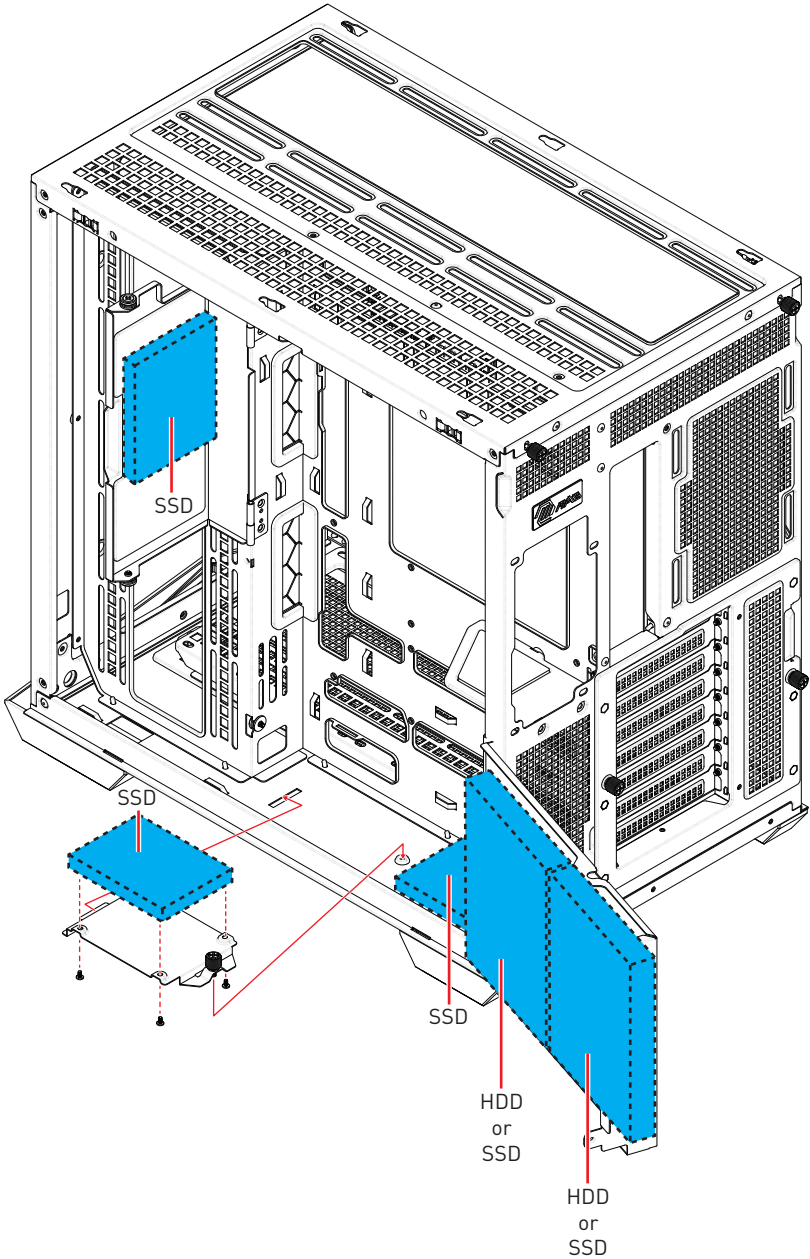


# Opening Cable Management Door



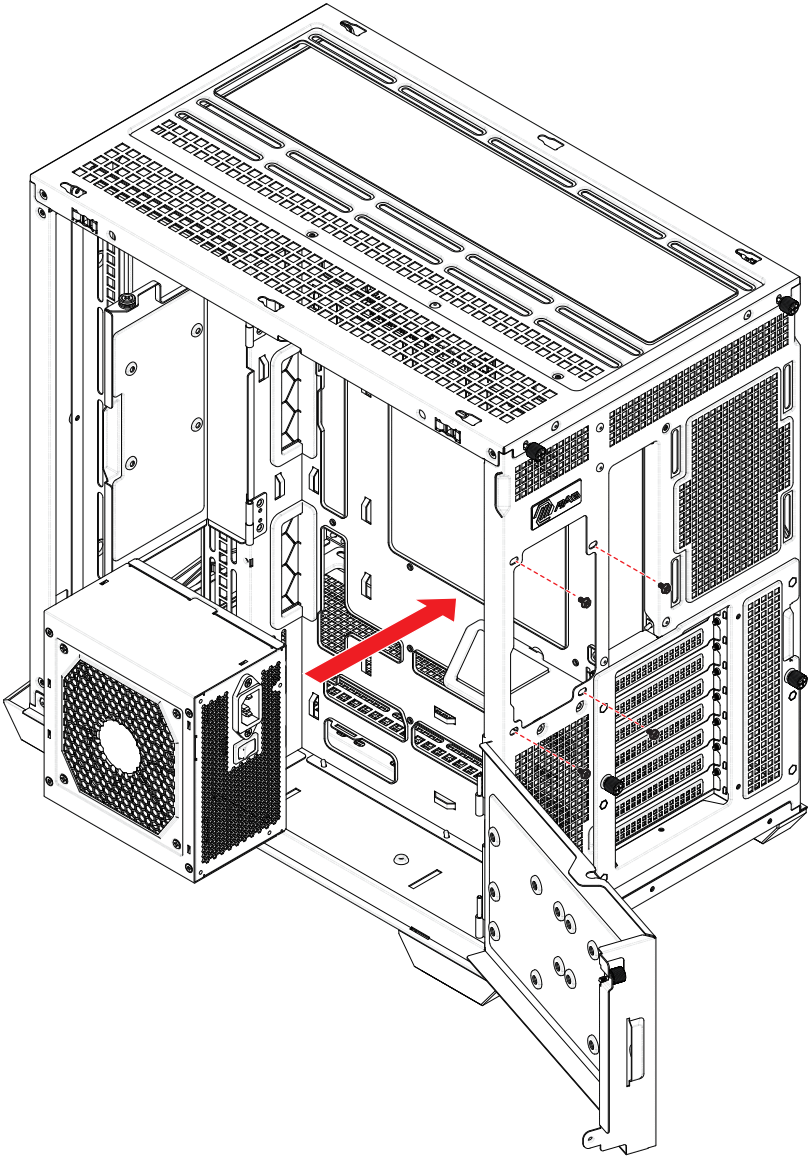
# HDD & SSD Installation

Please refer to the **Opening Cable Management Door** section before installing the HDD & SSD.

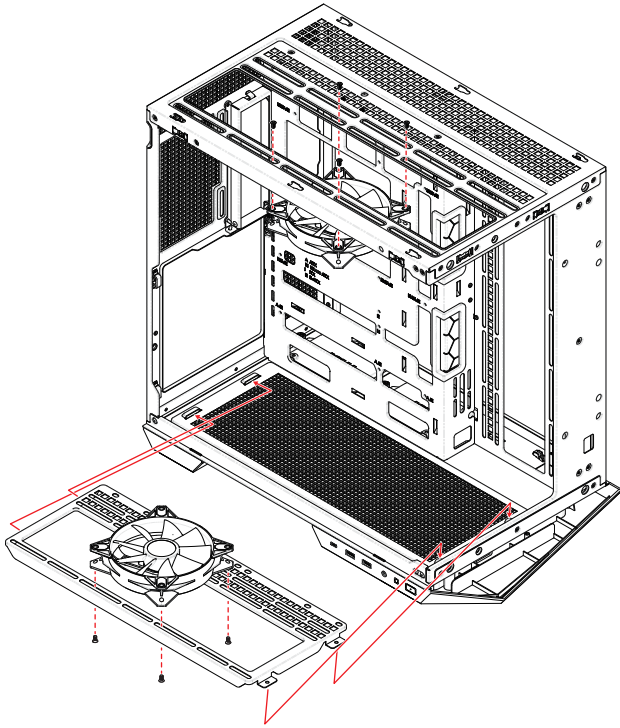


# PSU Installation

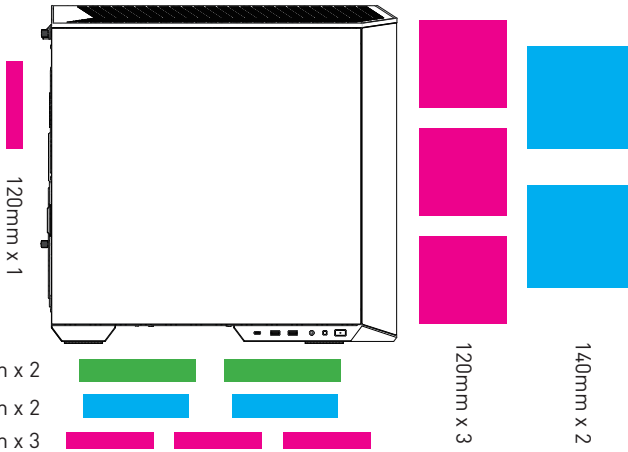
Please refer to the **Opening Cable Management Door** section before installing the PSU.



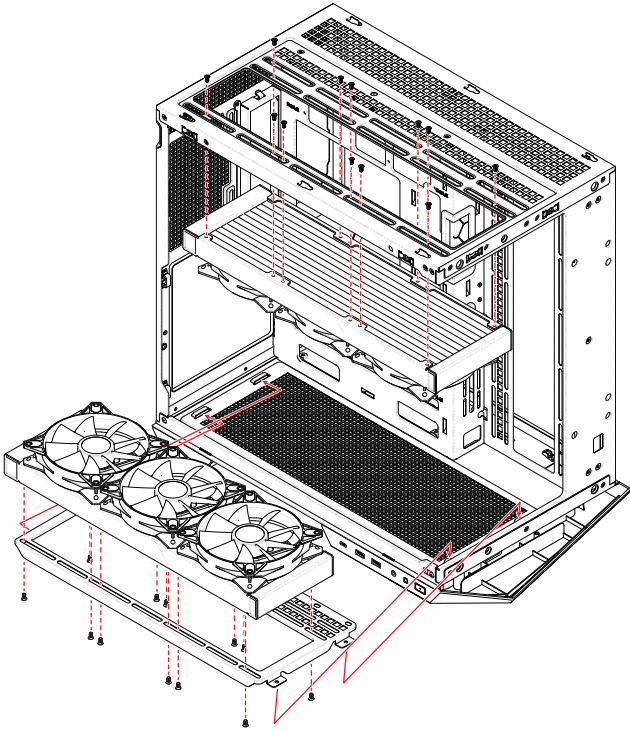
# Fan Compatibility and Setup



- 140mm x 3 
- 120mm x 3 



# Radiator Compatibility and Setup



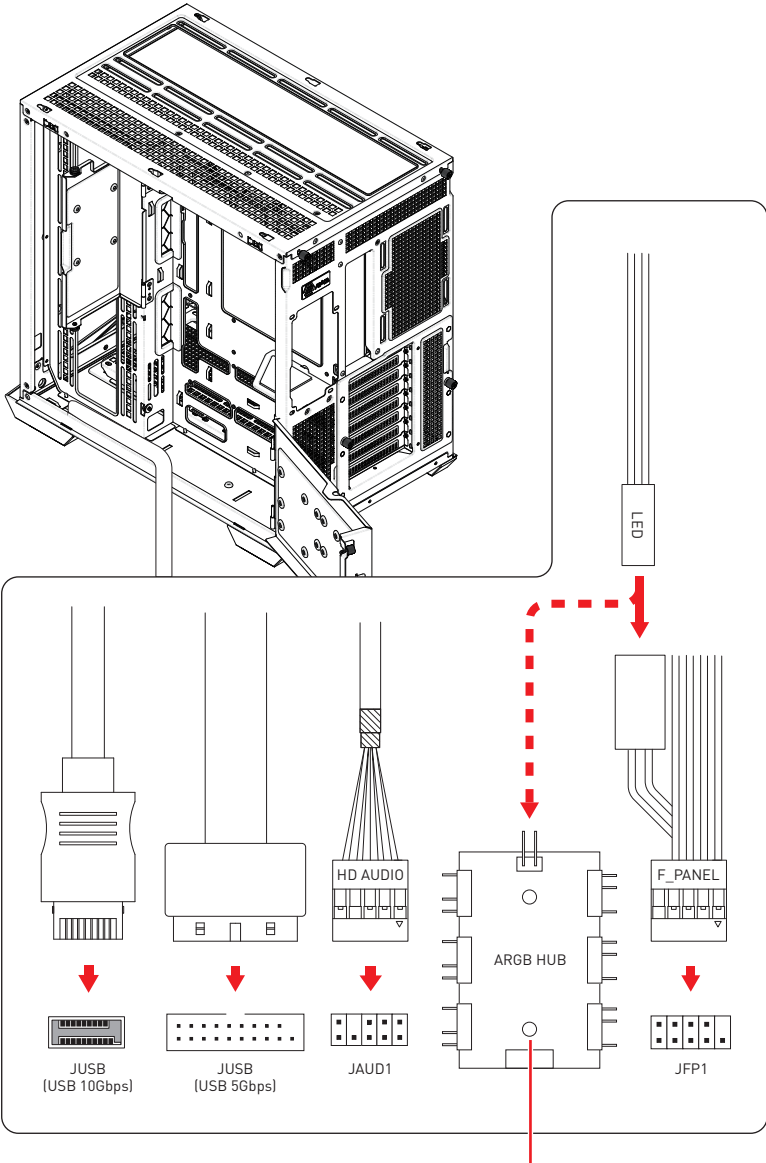
360mm

120mm

360mm

360mm

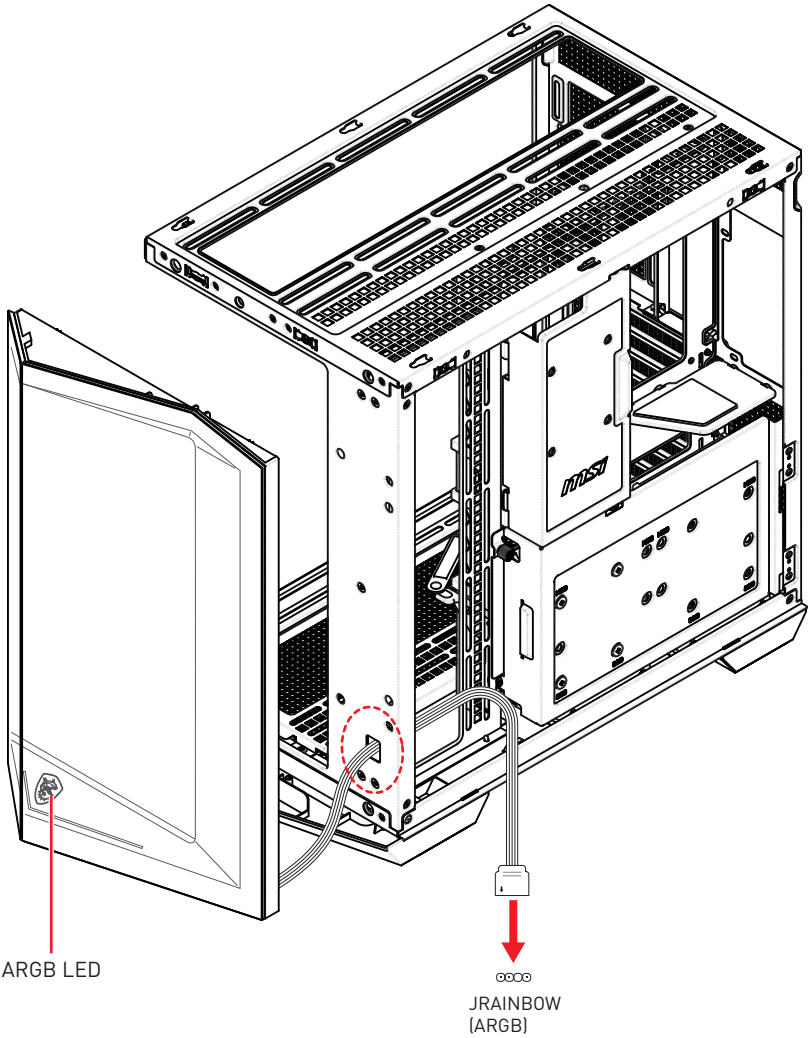
# Panel I/O Connection



The ARGB HUB needs to be purchased separately.



# Front Bezel ARGB LED Connection



# General Information

## Copyright and Trademarks Notice

***msi*** **MSI** **微星** **微星科技**

MICRO-STAR INTERNATIONAL



Copyright © Micro-Star Int'l Co., Ltd. All rights reserved.

The MSI logo used is a registered trademark of Micro-Star Int'l Co., Ltd. All other marks and names mentioned may be trademarks of their respective owners. No warranty as to accuracy or completeness is expressed or implied. MSI reserves the right to make changes to this document without prior notice.

All text, images, illustrations, and other content in this manual are the property of MSI. No part of this manual may be reproduced, distributed, or used in any form without the written permission of MSI.

## Revision History

- Version 1.0, 2024/04, First release.

