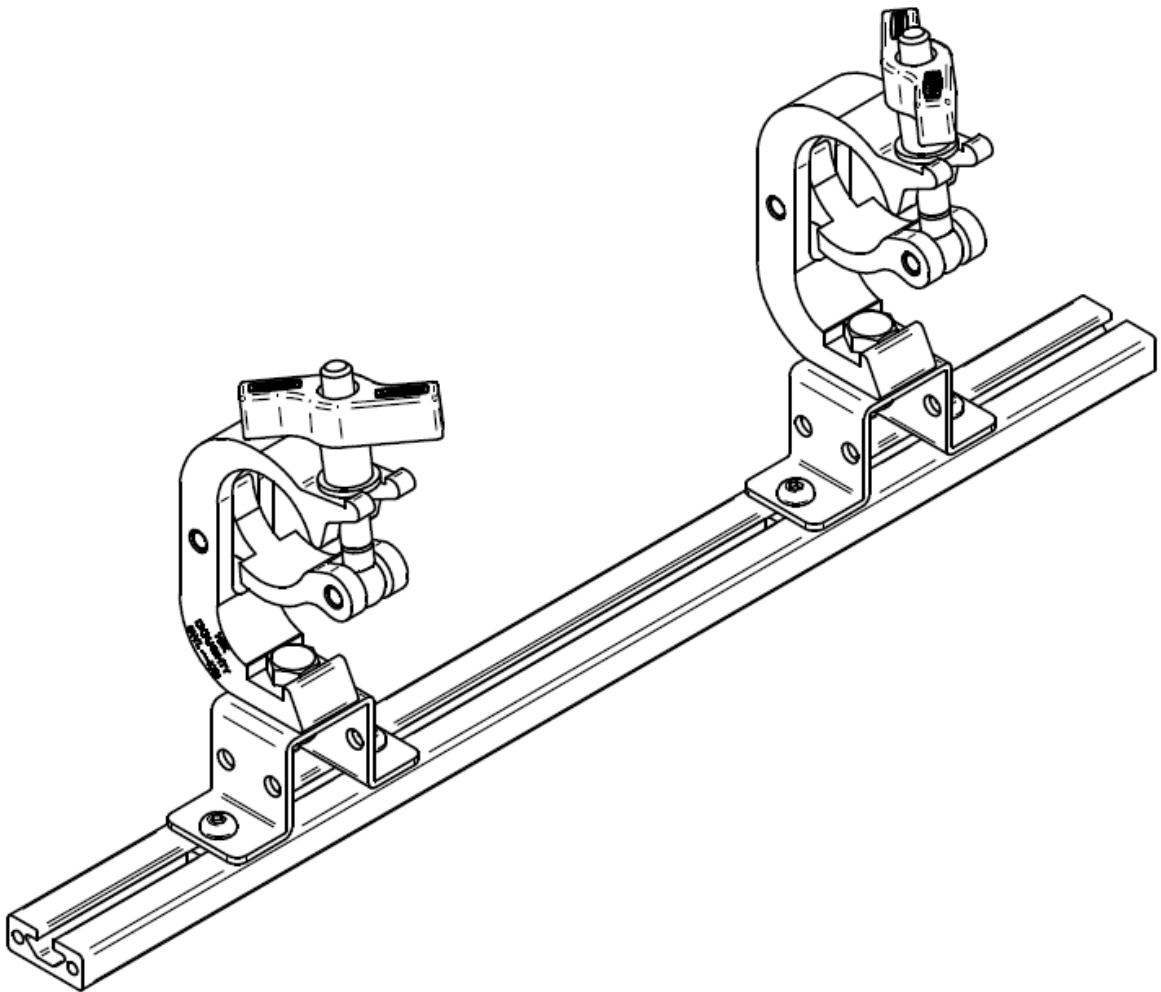


User's Guide
ELPMB80
ELPMB83
Truss Bar Adapter For Frame
V12H006AV0
V12H006AX0



Safety Precautions

DANGER

- Failure to comply with these safety precautions results in death or serious injury;
- ELECTRICAL SHOCK HAZARD! Always turn off, disconnect, and disengage all power sources to the projector before servicing;

WARNING

Failure to comply with these safety precautions may result in serious injury.

- At least two qualified people should perform the installation procedure. Personal injury and/or property damage can result from dropping or mishandling the projector;
- If mounting to ceiling studs, make sure that the mounting screws are anchored into the center of the ceiling studs. Use of an edge-to-edge stud finder is recommended;
- Be aware of the mounting environment. If drilling and/or cutting into the mounting surface, always make sure that there are no electrical wires in the wall;
- Do not install near sources of high heat. Do not install on a structure that is prone to vibration, movement or chance of impact.

Installation

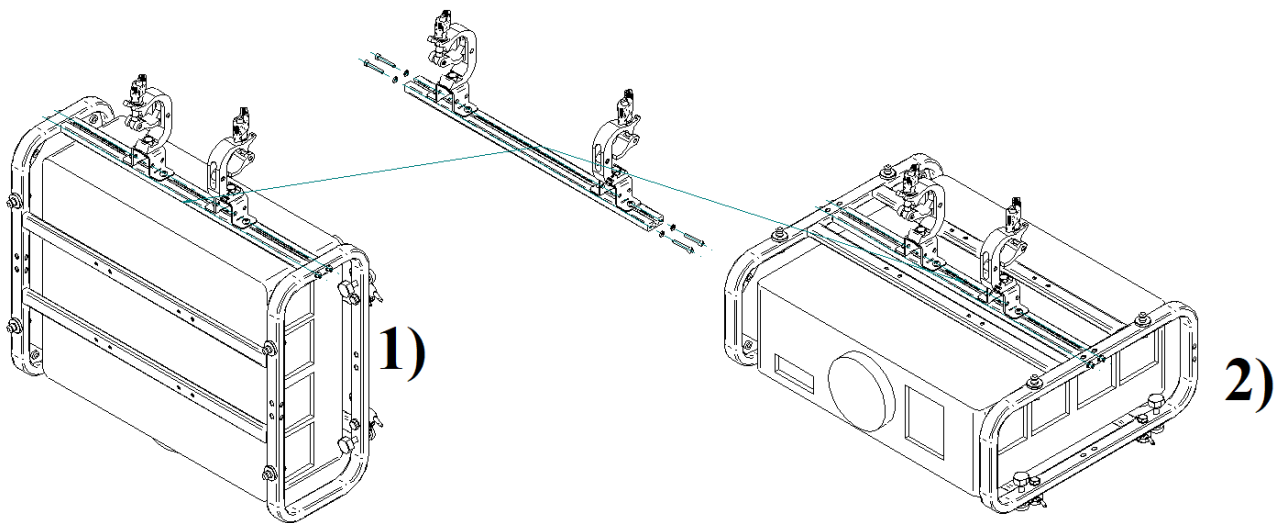
It is an option that is compatible with Matrix and is used to fasten the cage to a truss by hanging it from the upper or rear side (order the correct bar according to the matrix possessed).

To fasten the bar (in both cases):

6.1 – place the bar so that its thread is coaxial with the (upper or rear)side eyelets located on the ring pipe;

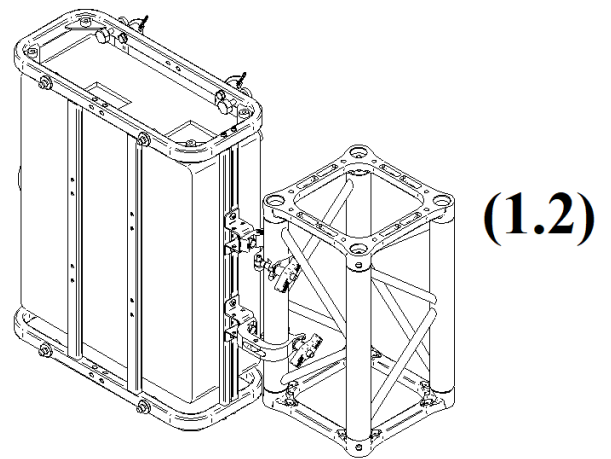
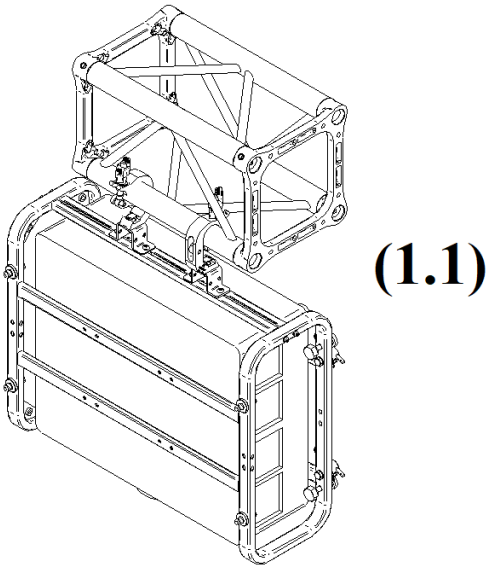
6.2 – Then, tighten the 4 screws and washers (included in the optional set) until the bar is safely fastened.

The 2 Clamps can slide on each other (by loosening the 2 lateral screws on each omega plate) and can also be rotated to adapt the coupling to any situation.



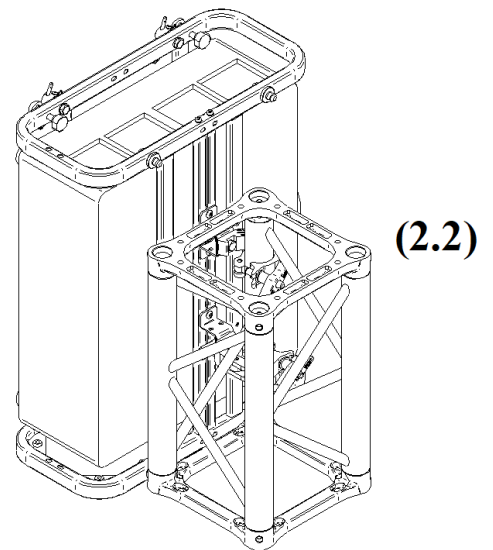
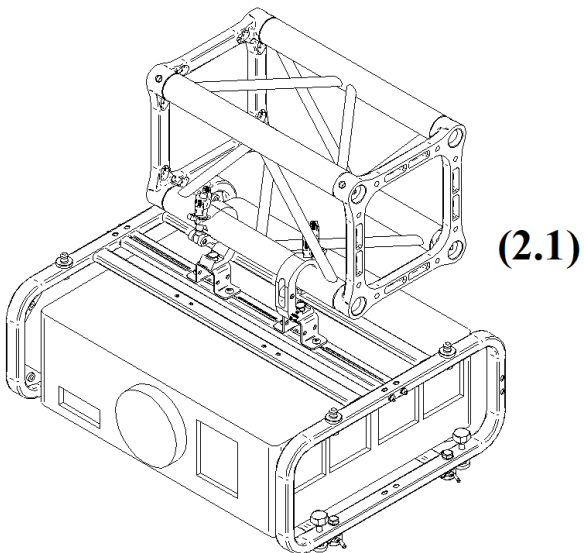
When the additional bar is in the rear position, it is possible to use the projection as follows:

- 1.1) Floor
- 1.2) Portrait



Whereas in the upper position, the possible projections modes are:

- 2.1) Landscape
- 2.2) Portrait



Maintenance

Do not try to service this product yourself, except as specifically explained in this User's Guide. Refer all other servicing to qualified service personnel.

HARDWARE'S INSPECTION

The ELPMB79 arm adapter does not require special maintenance, but a visual inspection must be conducted before each installation involving the system.

Please conduct a visual inspection to ensure that all screws are in the correct positions and none are missing.

Tighten any loose hardware as needed to maintain stability and prevent the risk of the projector falling or becoming misaligned.

Ensure that screws, nuts and all components are not bent, damaged, or broken.

Please use the appropriate tool to check that all screws are securely tightened.

If any parts are broken or missing, please contact the seller to obtain the necessary spare parts.

CLEANING

Use a soft, dry cloth to gently wipe down the mount's surfaces, removing any dust or dirt. For stubborn stains or dirt buildup, lightly dampen the cloth with water or a mild, non-abrasive cleaner.

Avoid using harsh chemicals that may damage the mount's finish. Ensure that the mount is completely dry before reattaching the projector to prevent any electrical issues.

LUBRICATION OF MOVING PARTS (IF APPLICABLE):

If the projector mount includes moving parts such as hinges or swivel mechanisms, apply a small amount of lubricant to ensure smooth operation.

Use a lubricant recommended by the manufacturer to prevent damage to the mount's components.

CONCLUSIONS

By following this maintenance plan, you can keep your mount adapter and in optimal condition, prolonging their lifespan and ensuring reliable performance for your presentations or entertainment needs.