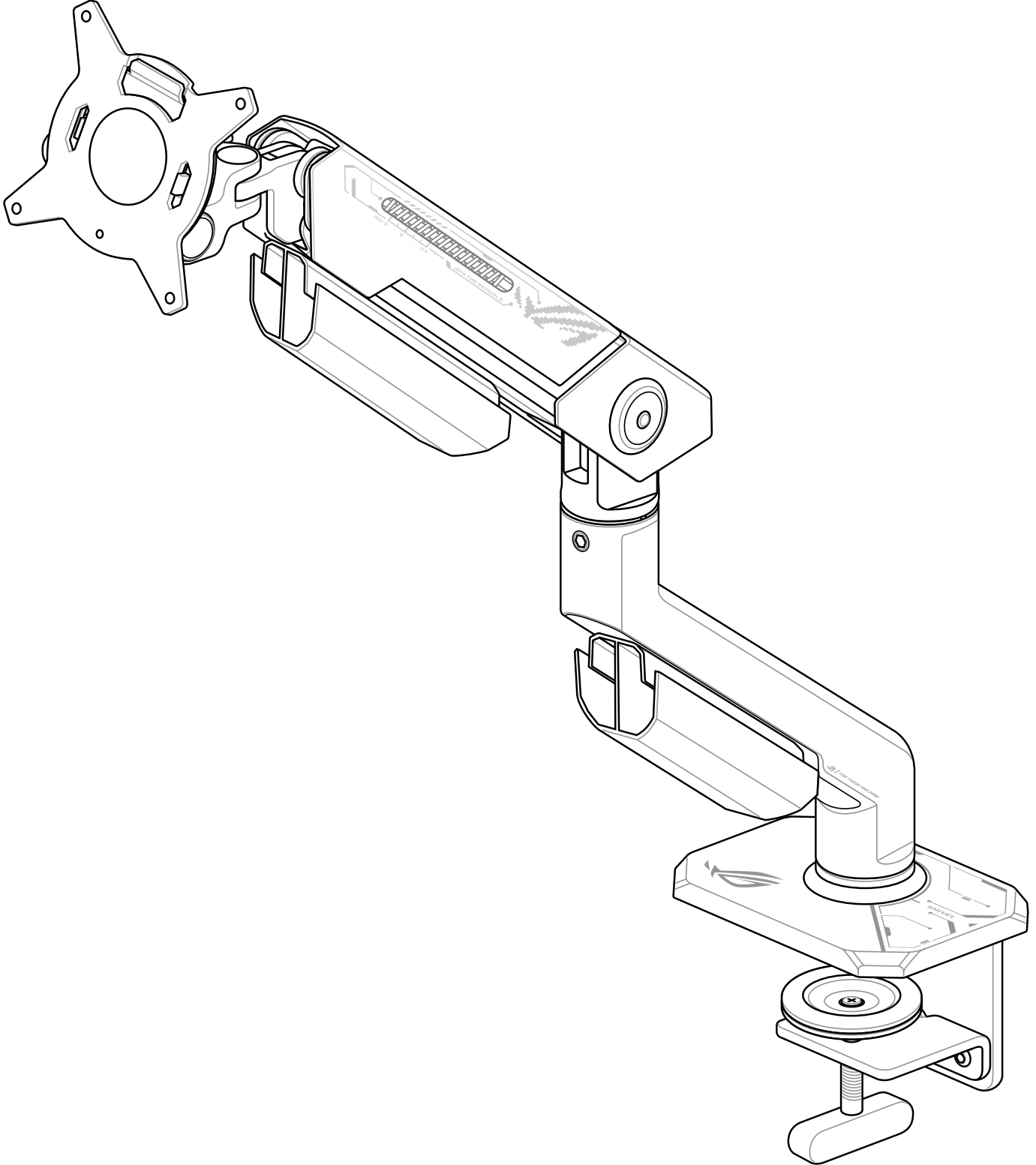




ROG ERGO MONITOR ARM (AA50)

REPUBLIC OF
GAMERS

USER GUIDE



SETUP VIDEO



PRODUCT REGISTER



PRODUCT PAGE

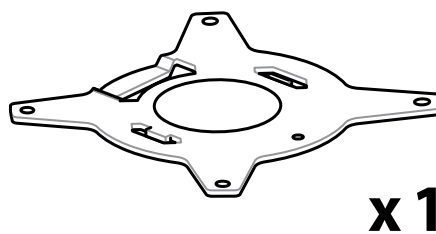
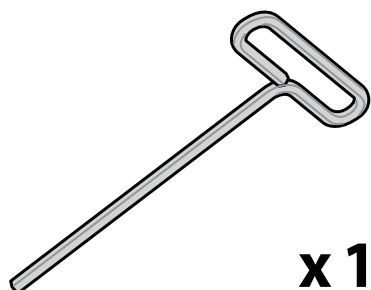
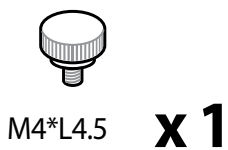
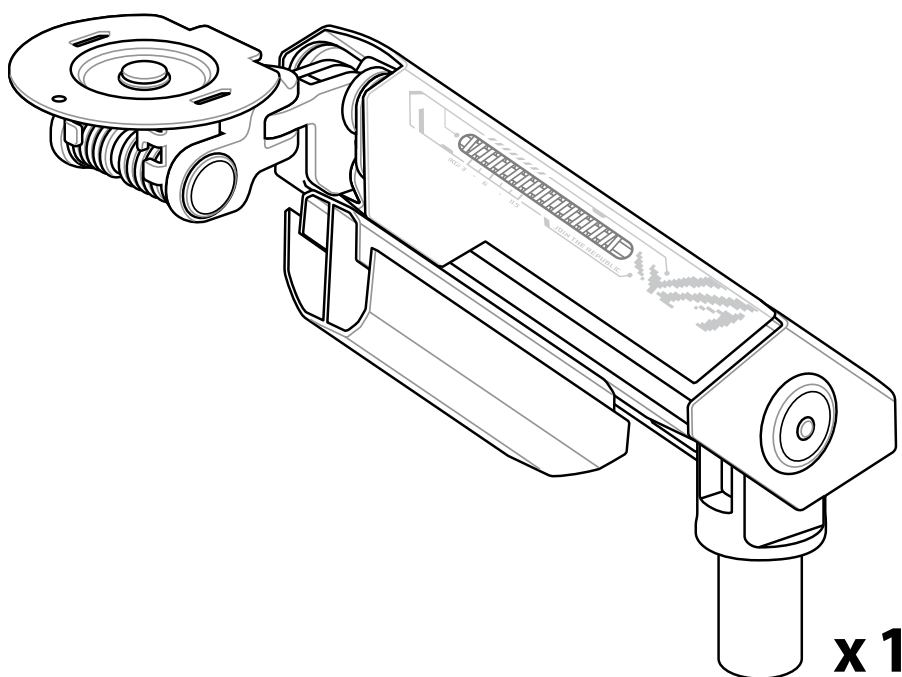
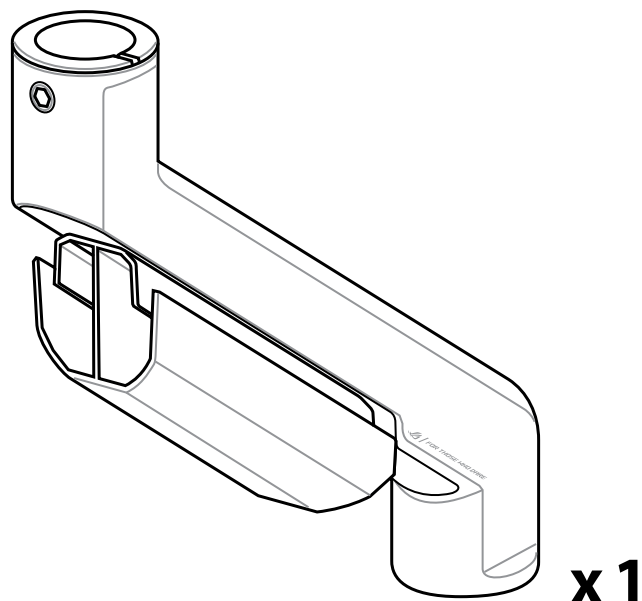
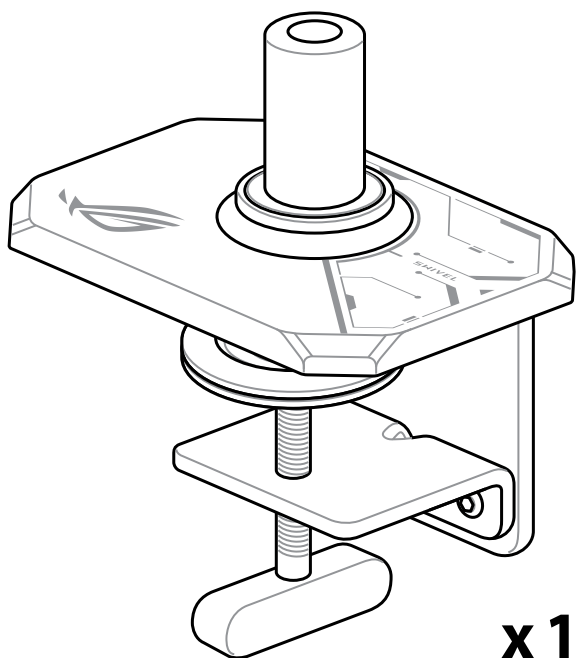
<https://www.asus.com>

Copyright © ASUSTeK Computer Inc. All Rights Reserved

Contents

Package contents	3
Safety Information	4
Dimensions	5
Desk placement options	8
Installation and assembly	10
Product specifications.....	18
Product serial number	18

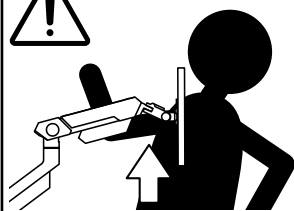
Package contents



Safety Information

- Ensure to mount and assemble all the components before adjusting the position, rotation, and tilt of your monitor arm. Movement should be smooth and easy through the full range of motion and the monitor arm should stay in place once set. If this is not the case, double check that you have followed the adjustment instructions.
- Whenever equipment is added or removed from your monitor arm, leading to a change in the weight of the mounted load, repeat the adjustments steps to ensure safe and optimal operation.
- Ensure your mounting surface is strong and wide enough to support the monitor arm and mounted equipment.
- Ensure the connected cables have sufficient slack to accommodate the full range of motion.
- Ensure the connected cables are properly routed to avoid cable pinching. Cable pinching may cause damages to the monitor arm or personal injuries.
- DO NOT exceed the listed maximum weight capacity as this may cause damages to the monitor arm and mounted equipment or personal injuries.

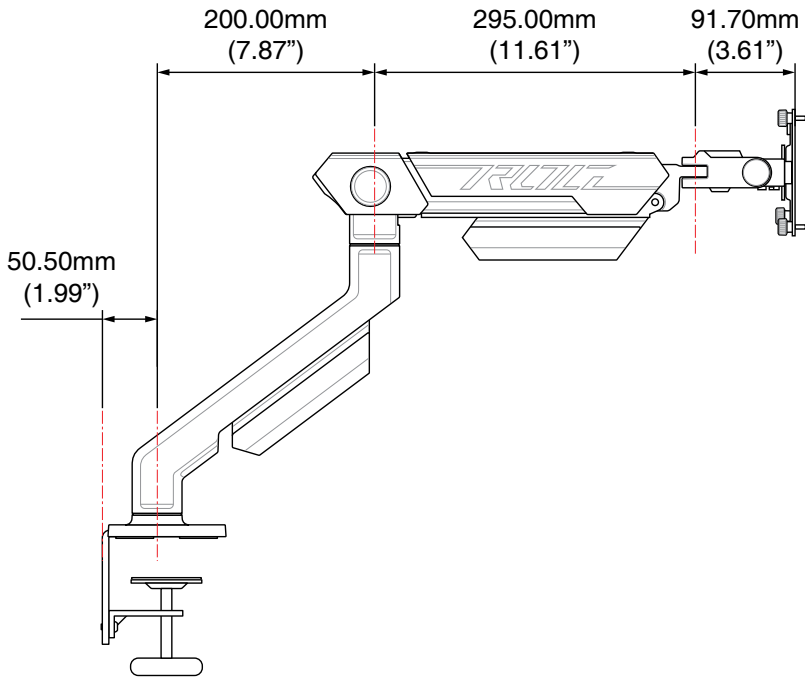
⚠ WARNING



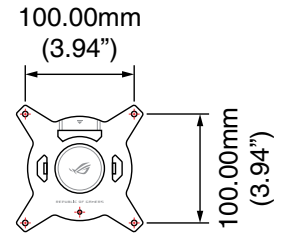
DO NOT remove mounted equipment from the monitor arm unless the monitor arm has been moved to the highest position. The monitor arm may rapidly move upwards when mounted equipment is removed, due to tension in the arm mechanism. This may cause severe personal injuries and damages to the equipment.

Dimensions

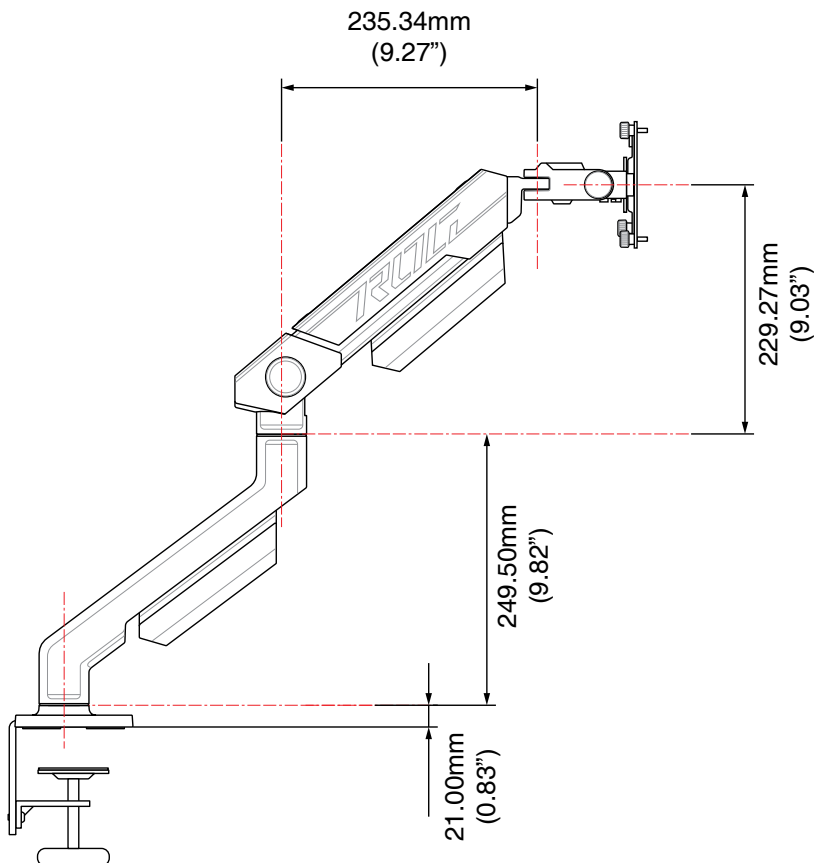
A Arm at max extension



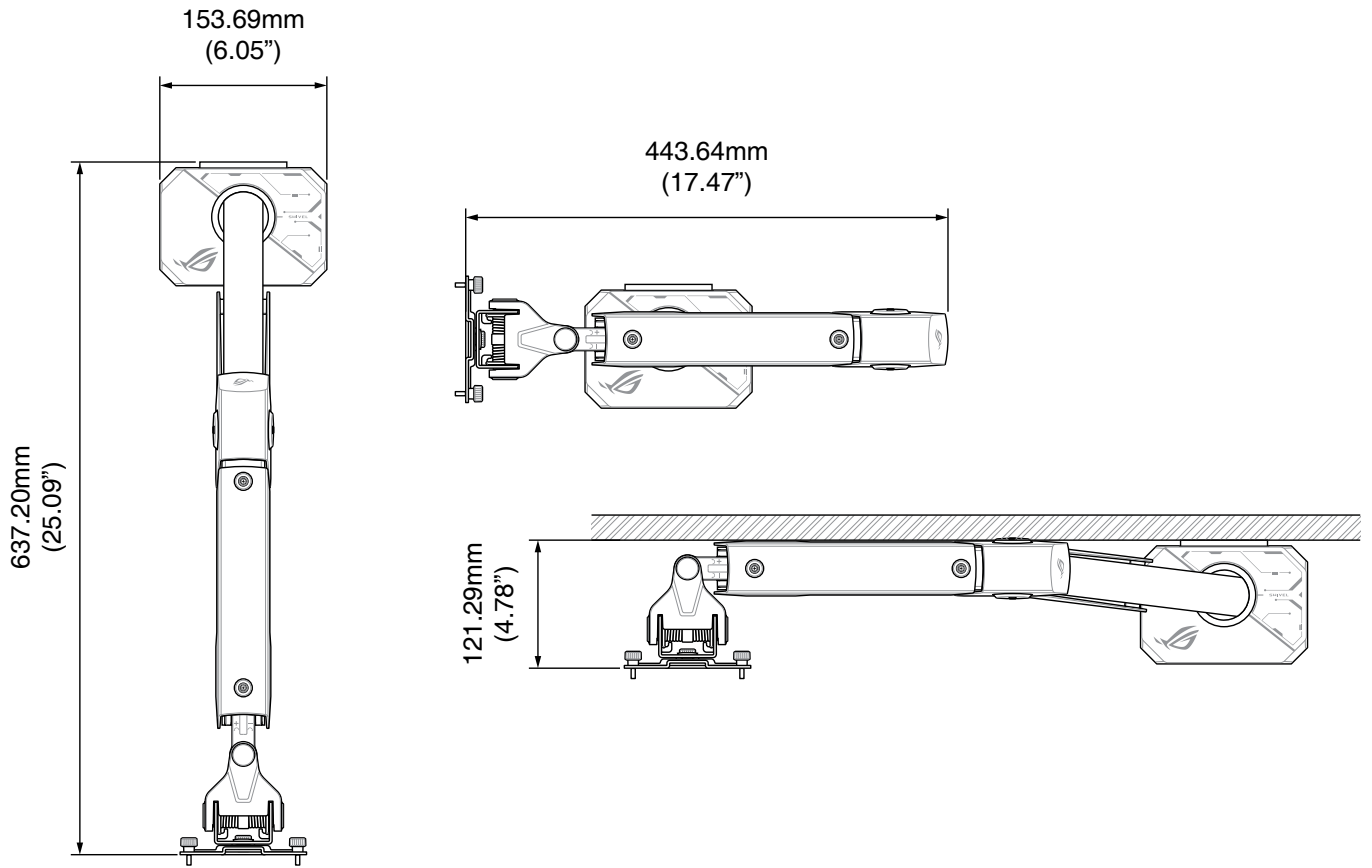
C Monitor mount



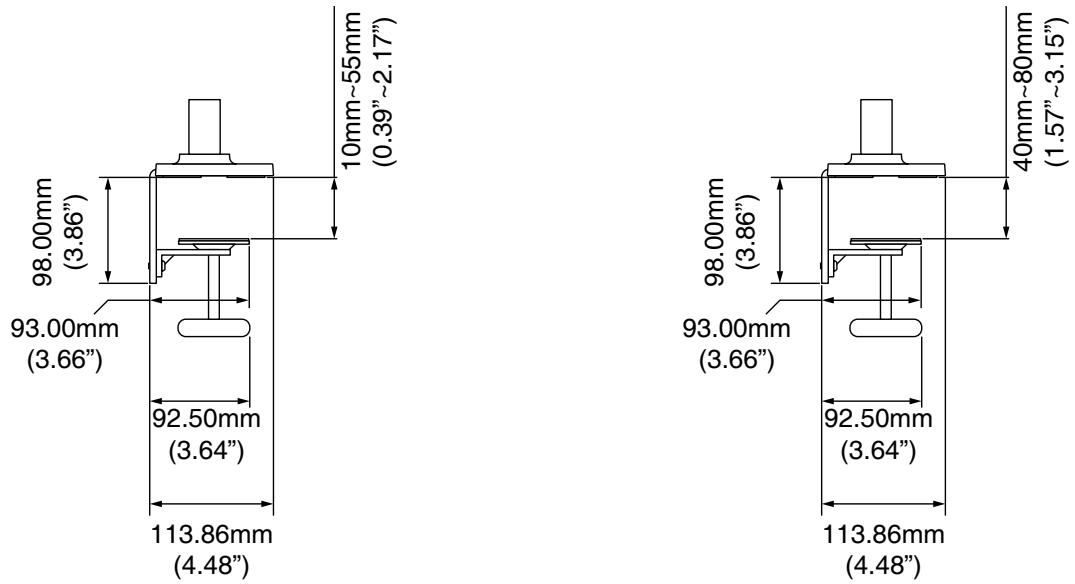
B Arm in full up position



D Top view of Arm

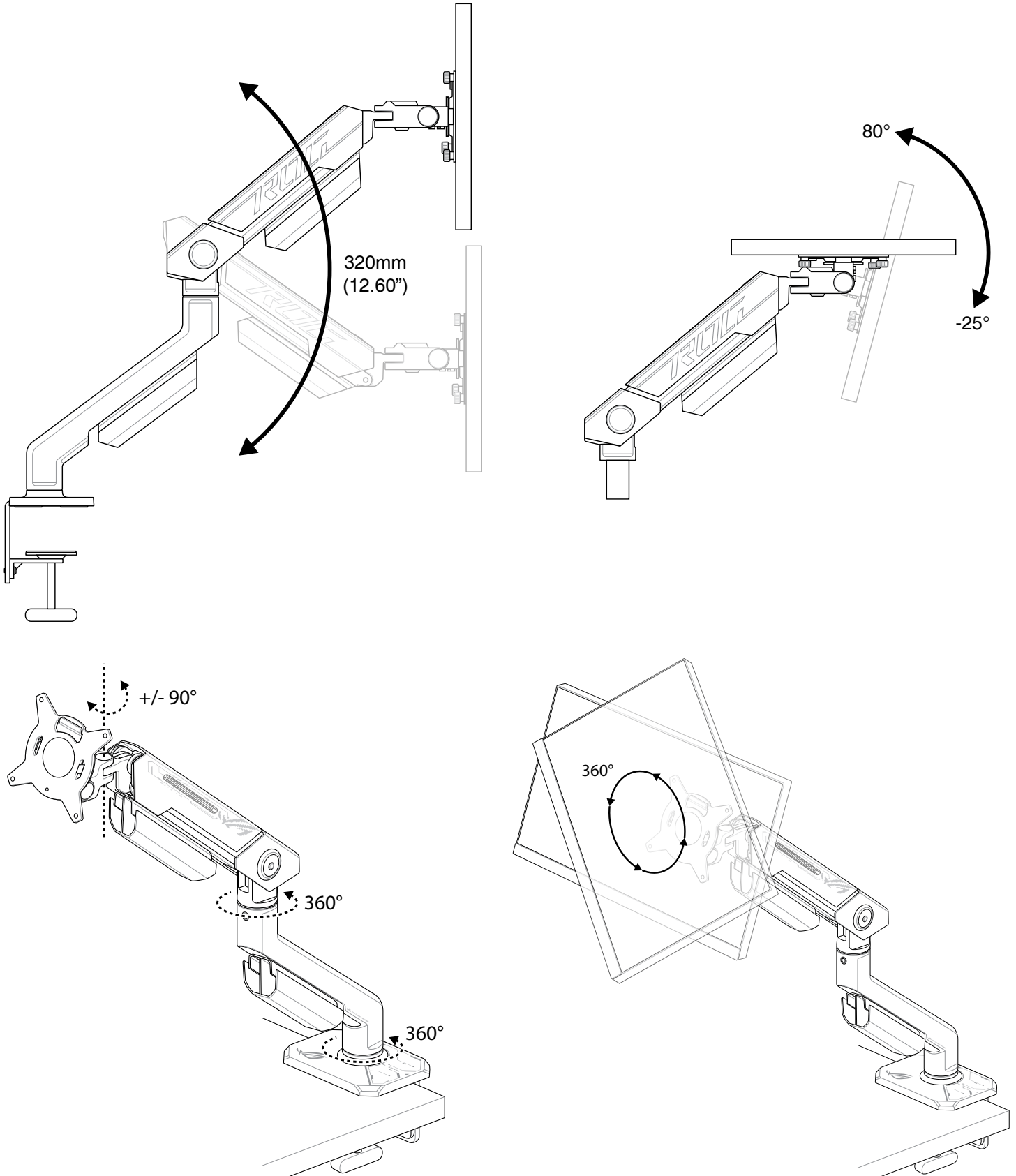


E Desk clamp

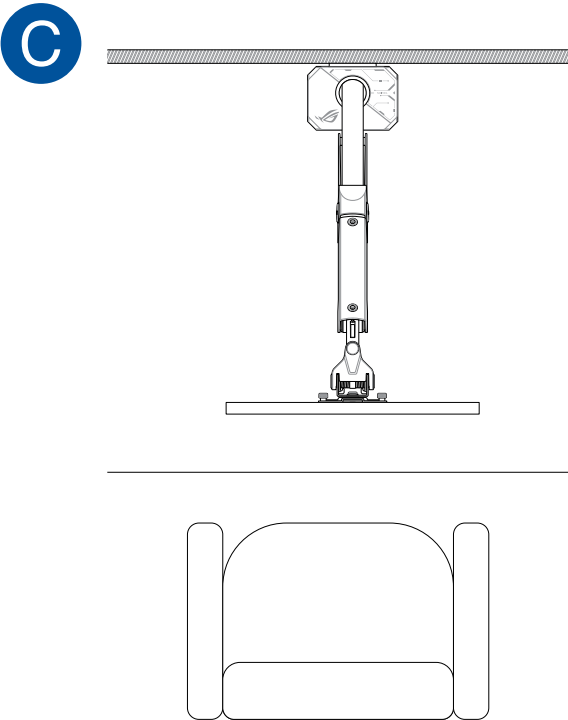
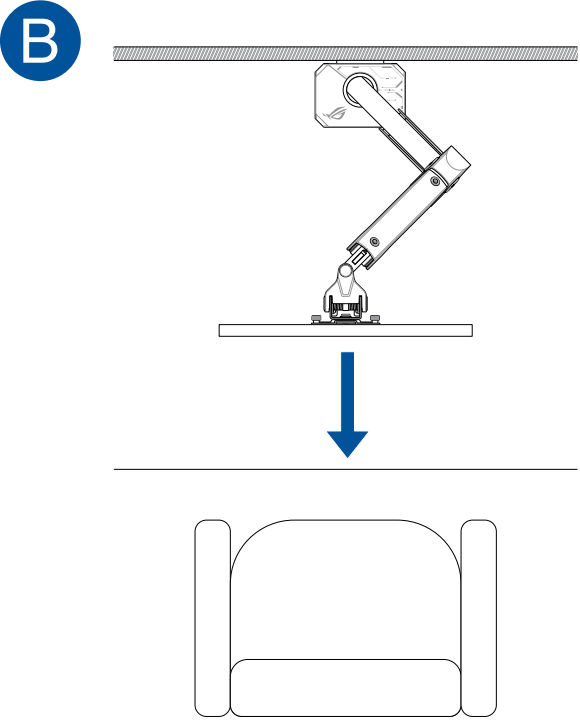
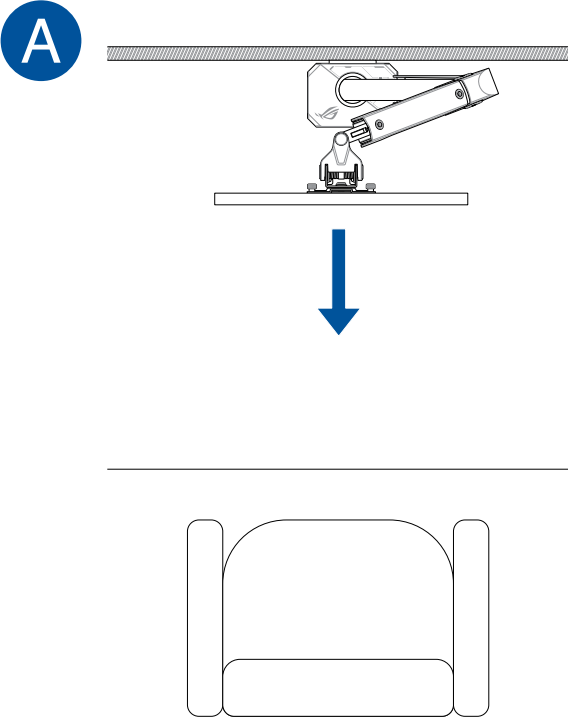


F Range of motion

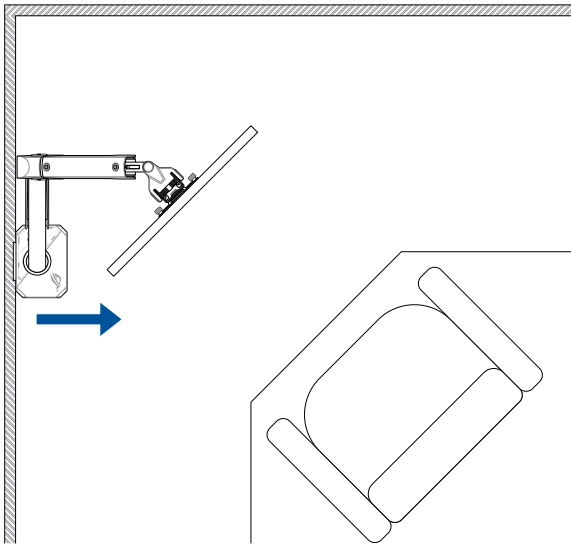
IMPORTANT! Ensure to mount and assemble all the components before adjusting the position, rotation, and tilt of your monitor arm. Movement should be smooth and easy through the full range of motion and the monitor arm should stay in place once set. If this is not the case, double check that you have followed the adjustment instructions.



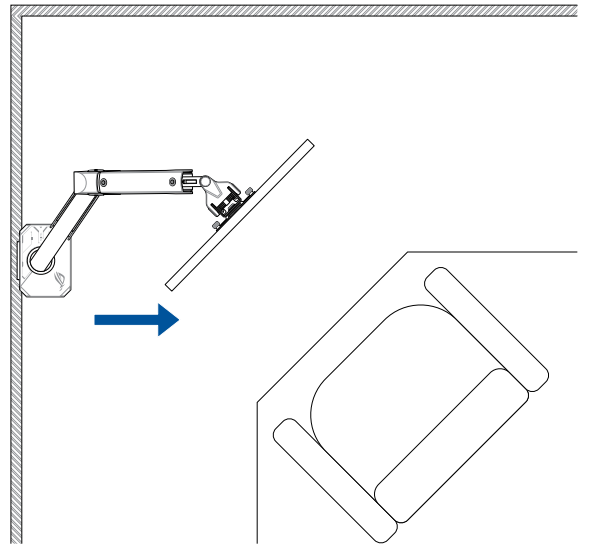
Desk placement options



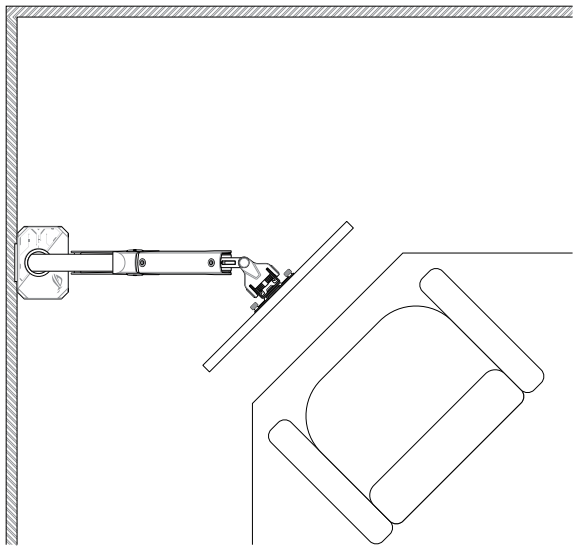
A



B

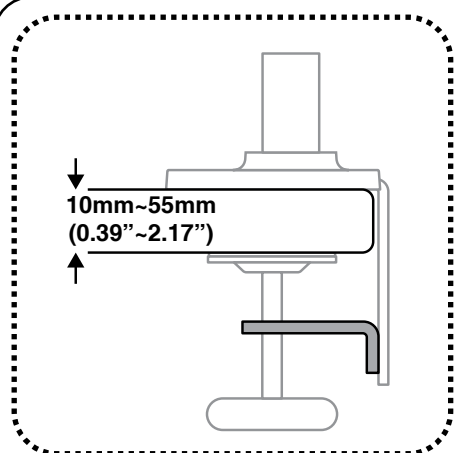


C

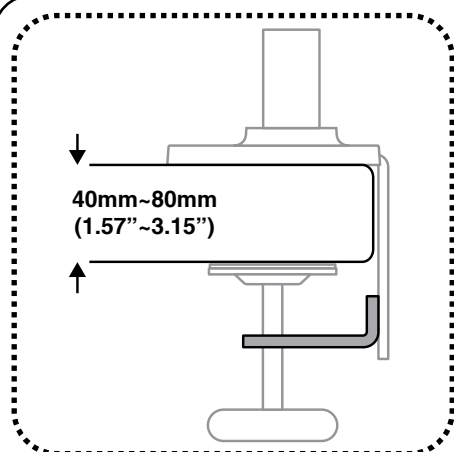
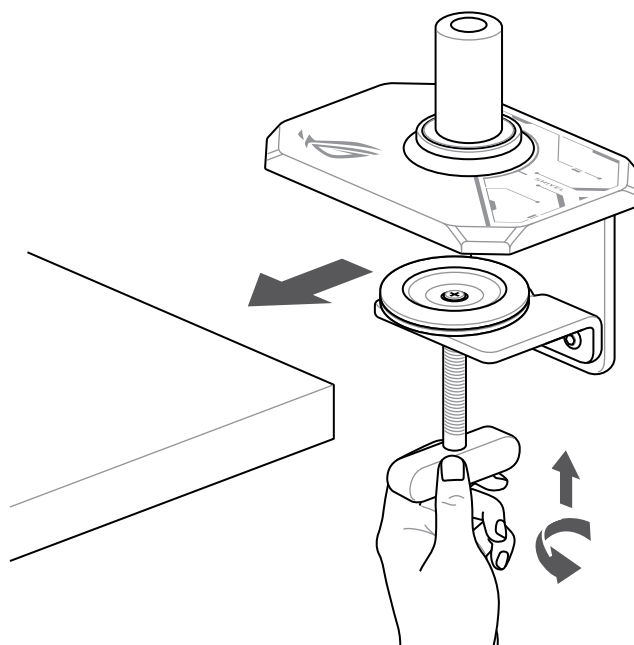


Installation and assembly

1

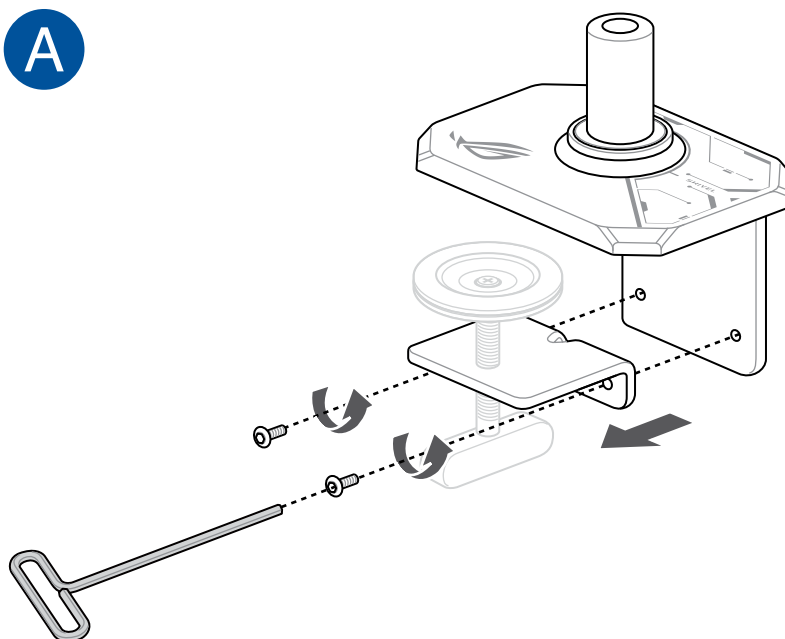


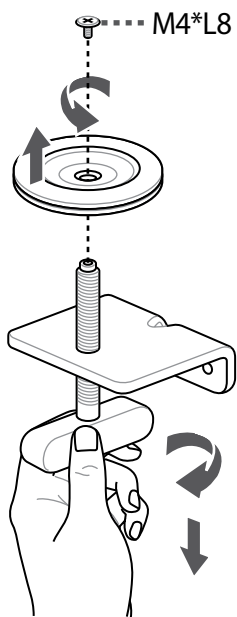
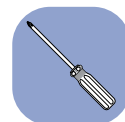
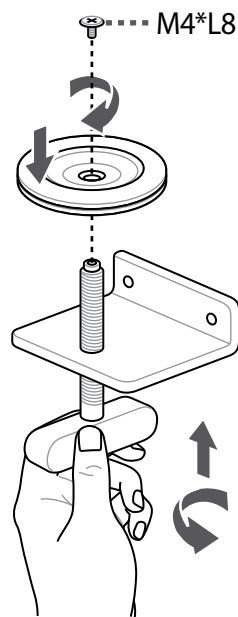
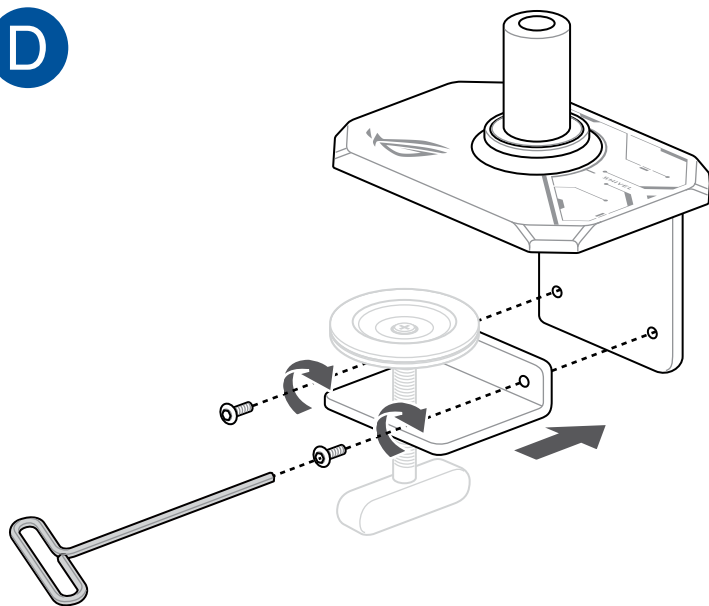
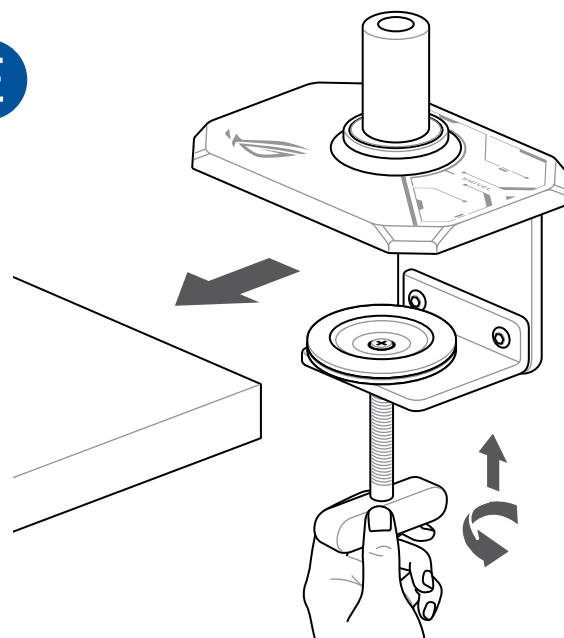
CAUTION! Ensure the C-clamp is properly aligned and pushed into the side of the surface. Failure to do so may risk the mounted equipment falling over due to unsteadiness.



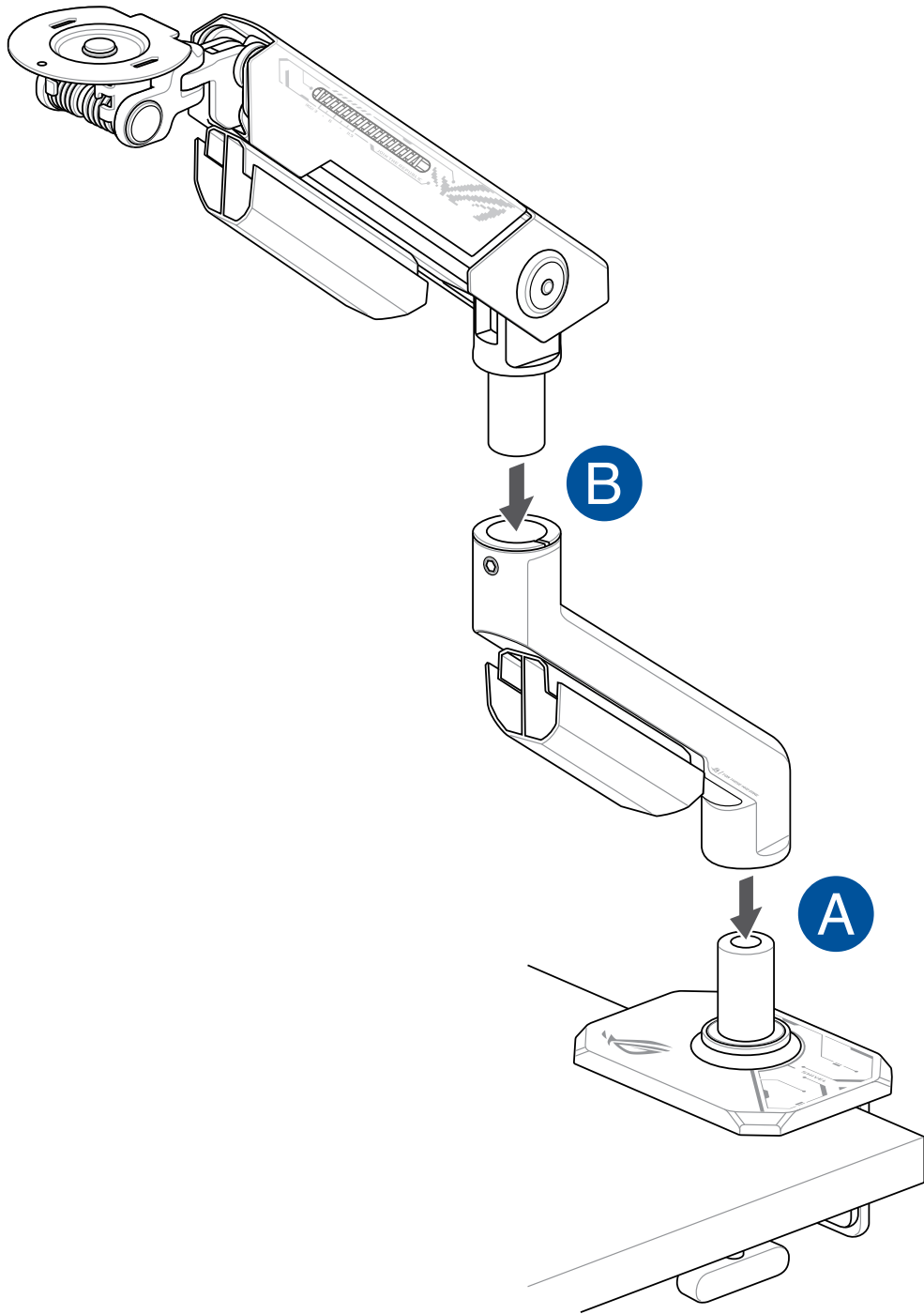
CAUTION! Ensure the C-clamp is properly aligned and pushed into the side of the surface. Failure to do so may risk the mounted equipment falling over due to unsteadiness.

A

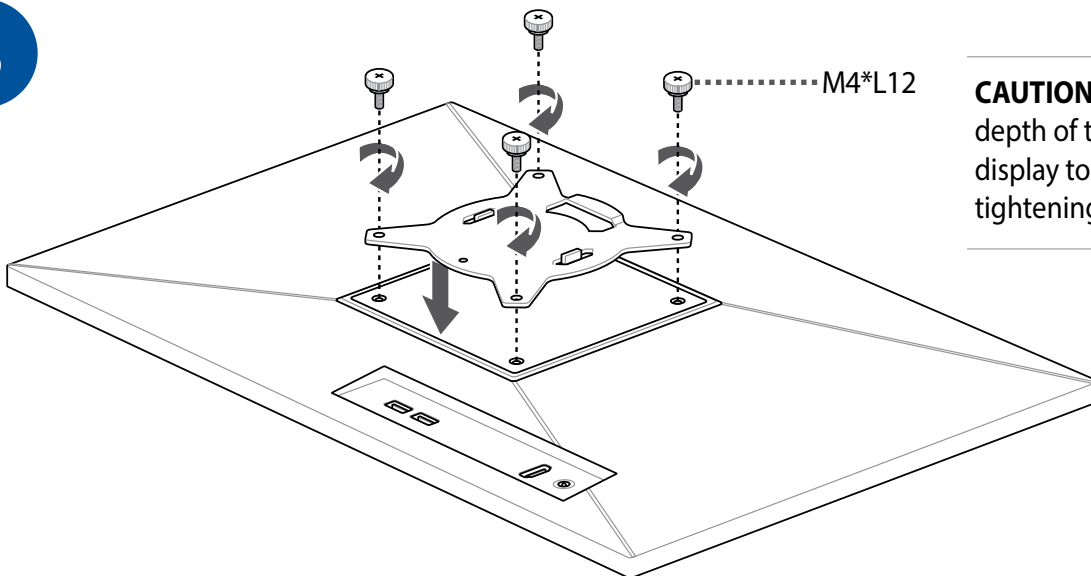


B**C****D****E**

2

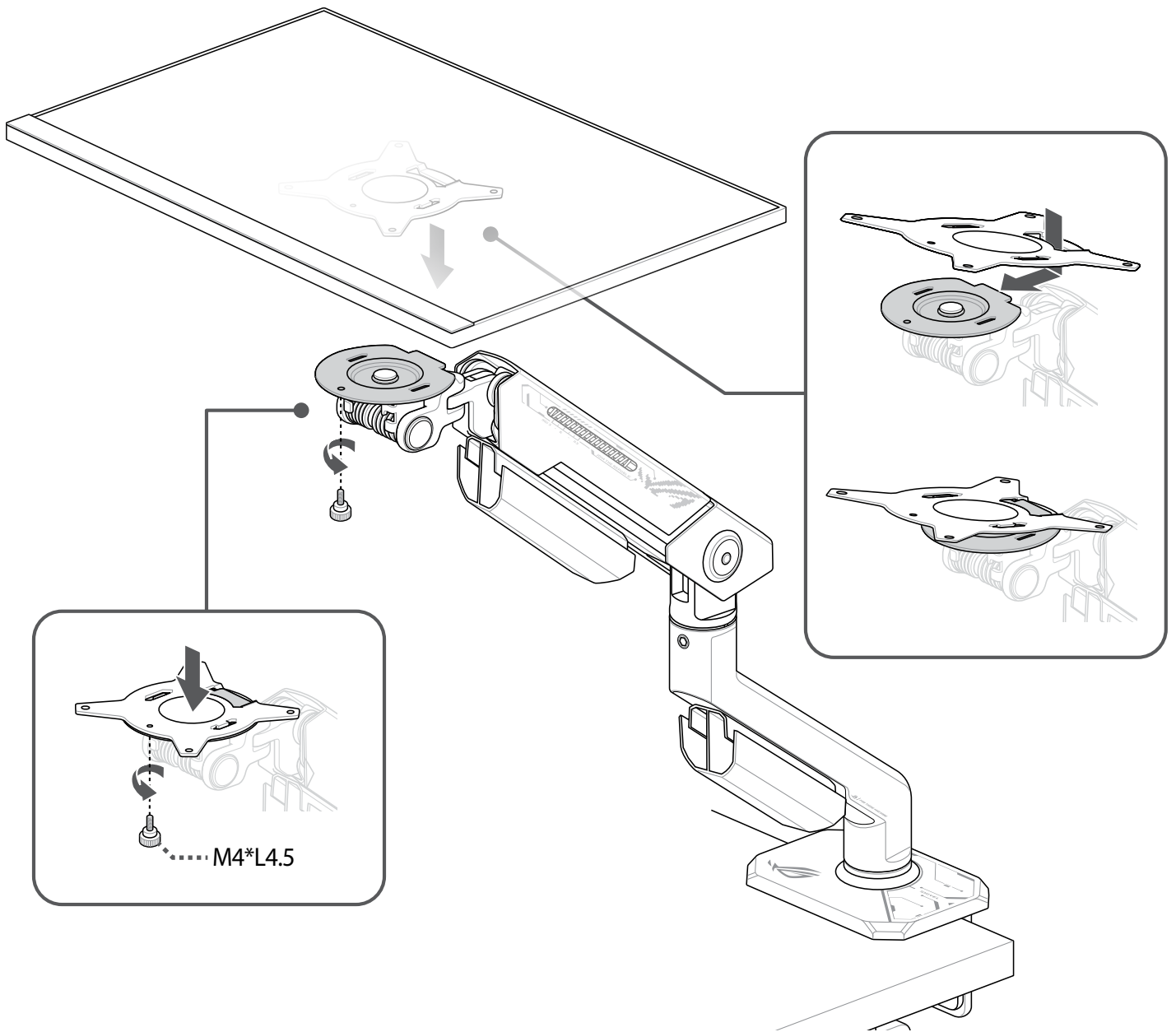


3

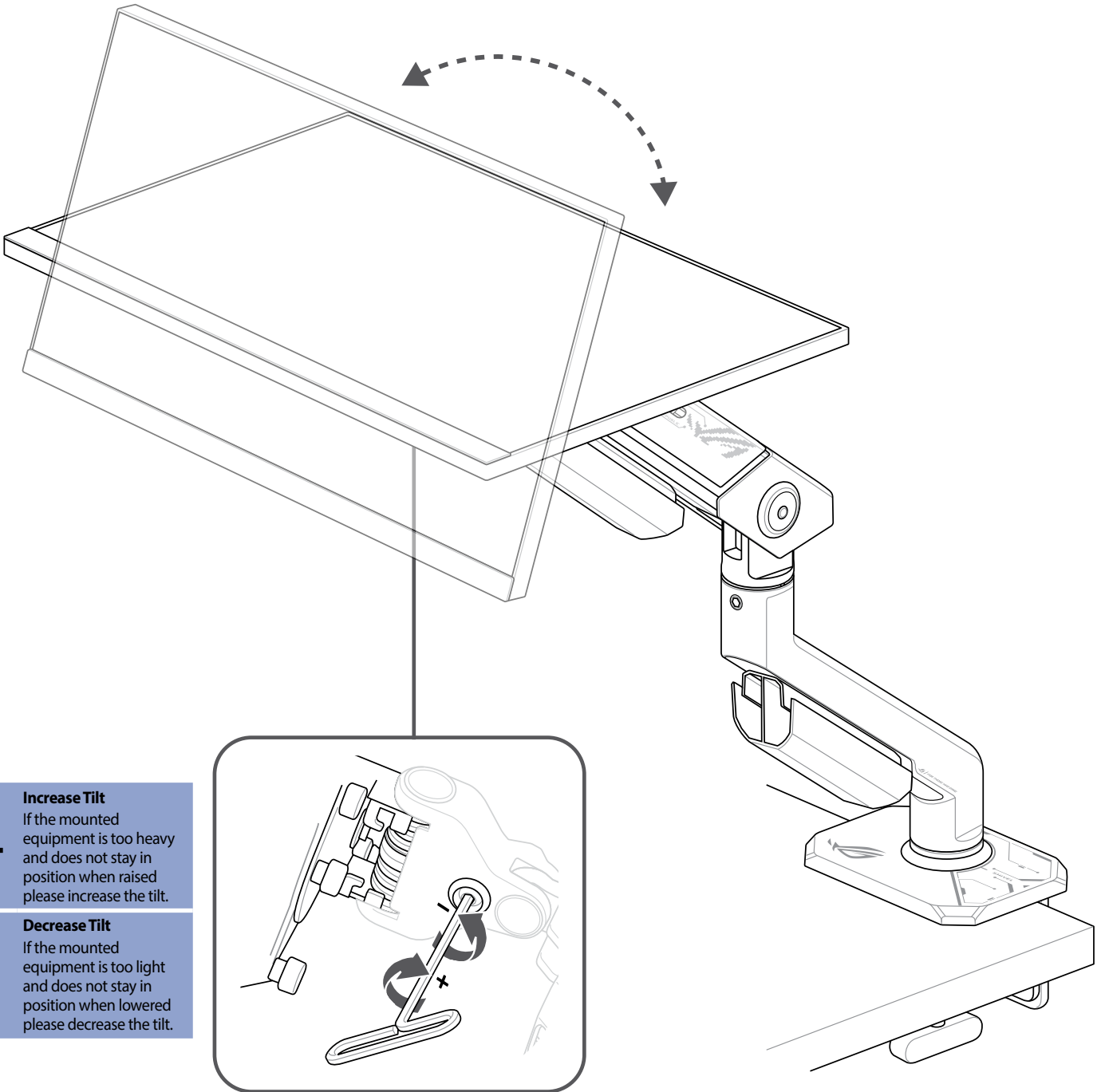
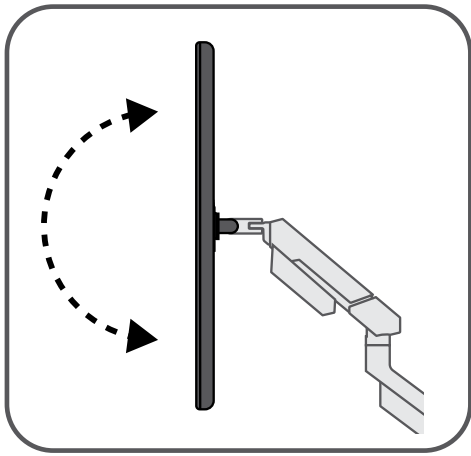


CAUTION! Take note of the depth of the screw holes on the display to avoid damage when tightening the screws.

4

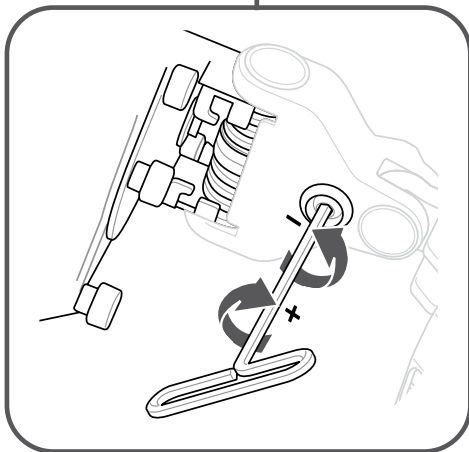


5



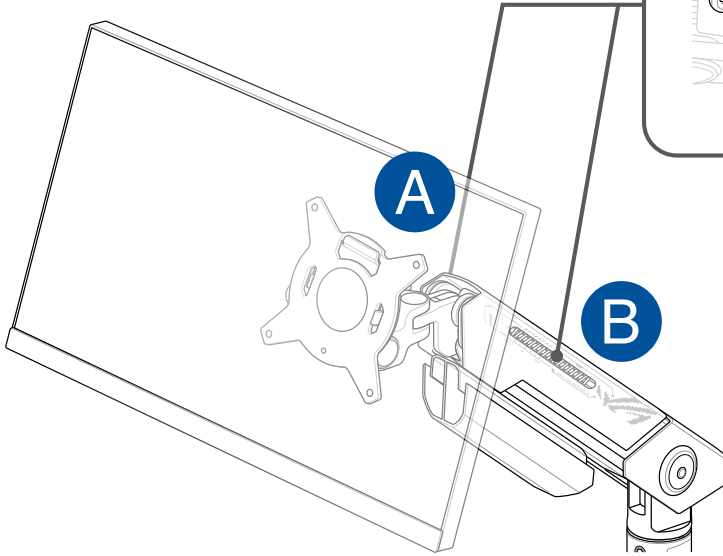
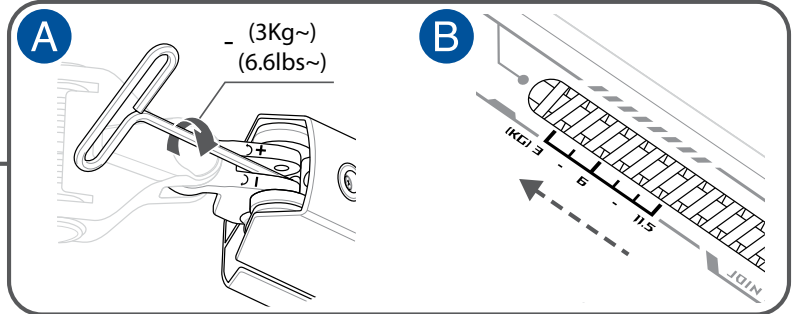
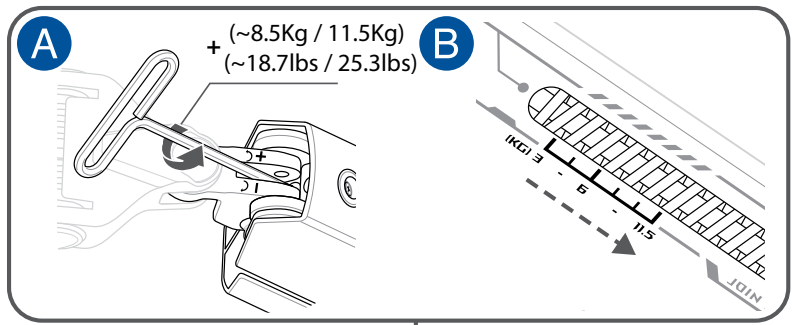
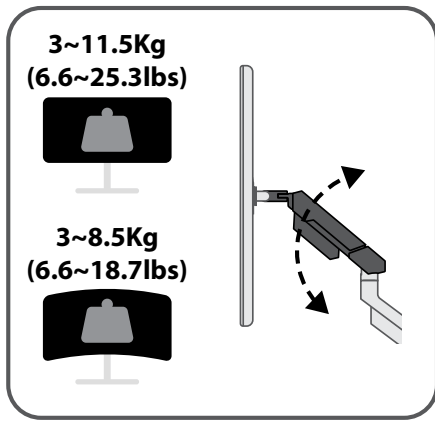
+ **Increase Tilt**
If the mounted equipment is too heavy and does not stay in position when raised please increase the tilt.

- **Decrease Tilt**
If the mounted equipment is too light and does not stay in position when lowered please decrease the tilt.



CAUTION! DO NOT overtighten or remove the screw, doing so may cause damage to the monitor arm.

6



Increase Lift Strength
+ If the mounted equipment is too heavy and does not stay in position when raised please increase the lift strength.

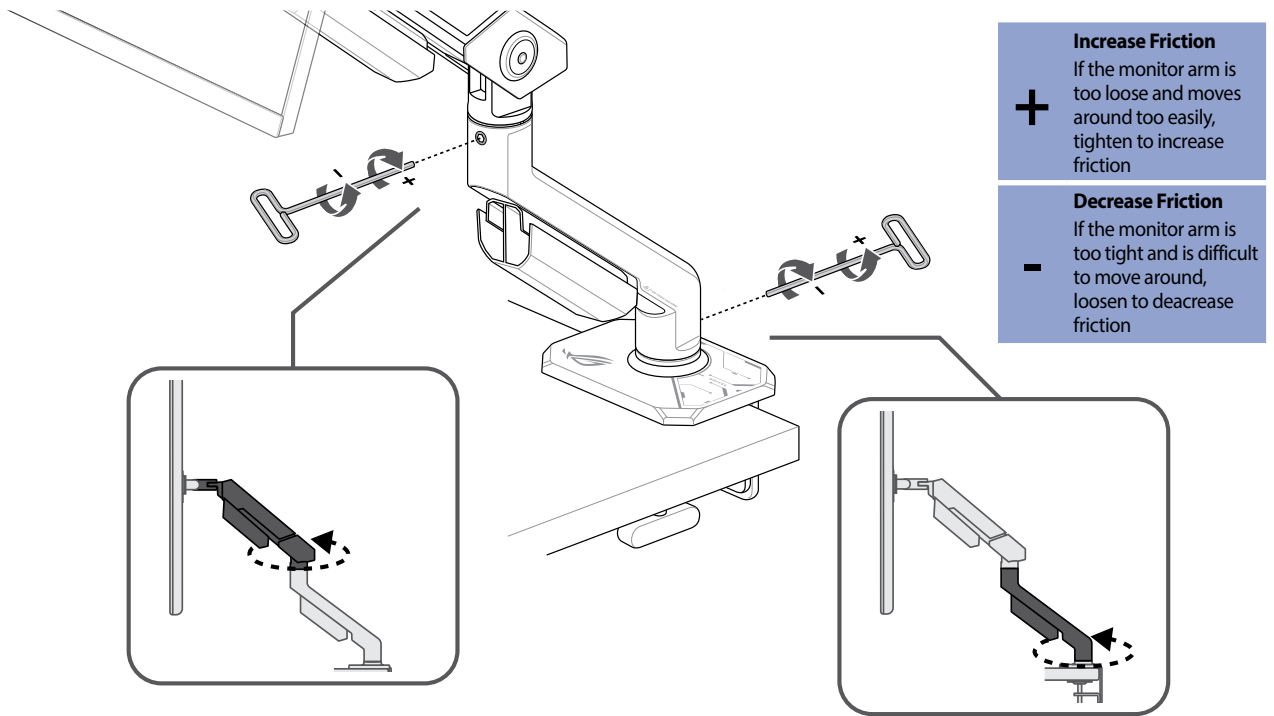
Decrease Lift Strength
- If the mounted equipment is too light and does not stay in position when lowered please decrease the lift strength.

NOTE: Ensure the lift strength is adjusted according to the weight of your monitor.

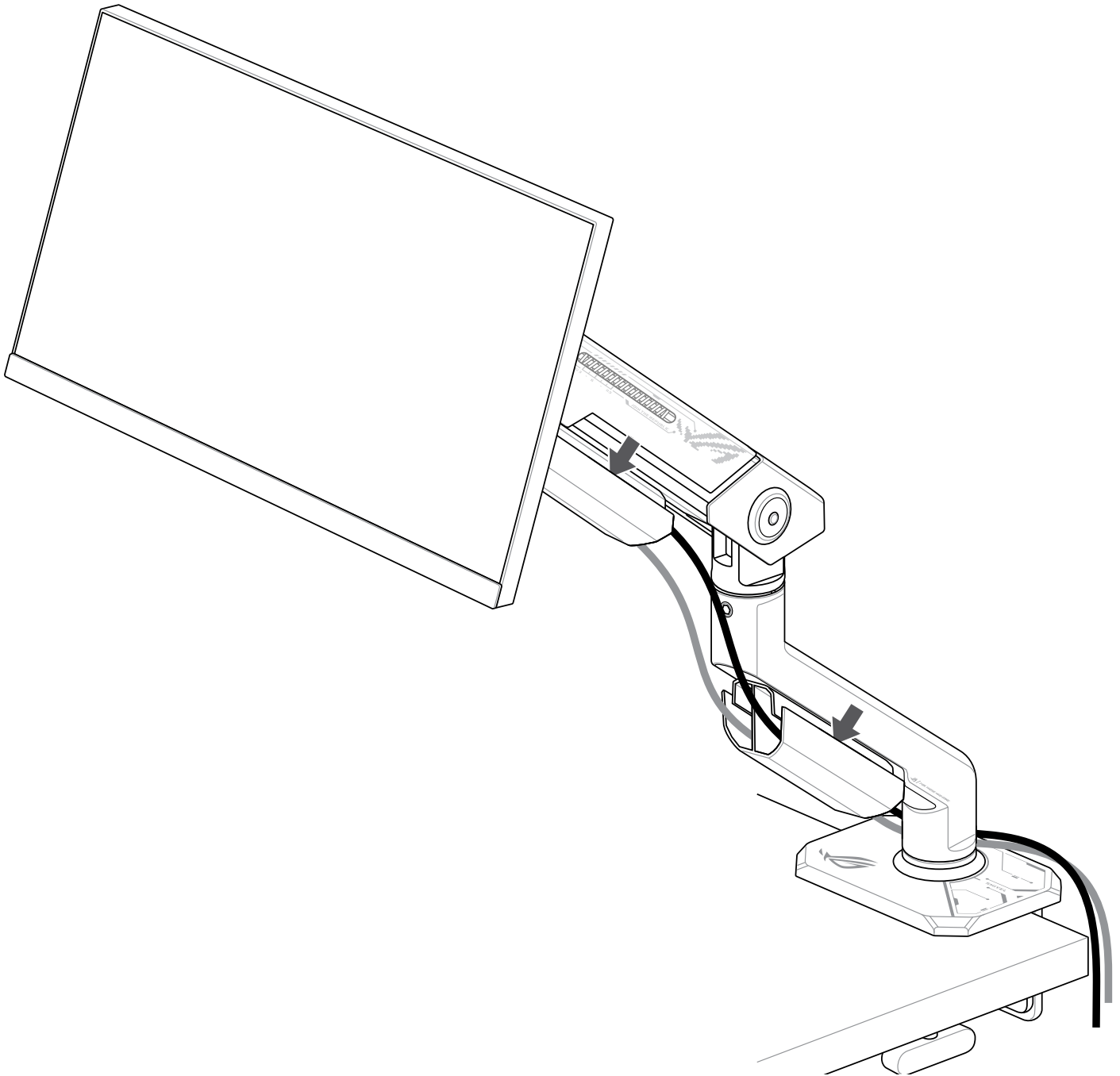
CAUTION!

- DO NOT overtighten the screw, doing so may cause damage to the monitor arm.
- DO NOT exceed the listed maximum weight capacity as this may cause damage to the monitor arm and mounted equipment or personal injuries.

7



CAUTION! DO NOT remove the screw, doing so may cause damage to the monitor arm.



NOTE:

- Ensure the connected cables have sufficient slack to accommodate the full range of motion.
 - To remove or route cable through the cable organizer, gently pry open the cable organizer (tip of the arrow in the illustration above).
-

CAUTION! Ensure the connected cables are properly routed to avoid cable pinching. Cable pinching may cause damages to the monitor arm or personal injuries.

Product specifications

Model		AAS01
Recommended Display Size		≤34" * Display size is an approximation. ** Dimension is the diagonal measurement of the display. *** The display size may be exceeded as long as the weight of the display does not exceed the maximum weight capacity of the mount.
Weight Capacity	Flat display	3Kg ~ 11.5Kg (6.6lbs ~ 25.3lbs)
	Curved display	3Kg ~ 8.5 Kg (6.6lbs ~ 18.7lbs) * Due to the difference in weight distribution between flat and curved display, the applicable size range of curved displays is smaller.
Lift		32cm (12.6")
Tilt		+80° ~ -25°
Swivel		+90° ~ -90°
Pivot		360°
Pan		360°
Rotation		360°
Maximum Height		49.97cm (19.67")
Maximum Extension		63.72cm (25.08")
Physical Dimension (W x L x H)		57.8cm x 65.6cm x 15.4cm (22.76" x 25.83" x 6.06")
Box Dimension (W x L x H)		77.5cm x 13.5cm x 23.2cm (30.51" x 5.31" x 9.13")
Net Weight		4.5Kg (9.9lbs)
Gross Weight		5.8Kg (12.8lbs)
Desk Clamp Range		10mm ~ 80mm (0.39" ~ 3.15")
VESA Wall Mounting		100mm x 100mm (3.94" x 3.94")

Product serial number

Please provide the product serial number when contacting customer service. Refer to the illustration below for the location of the product serial number.

