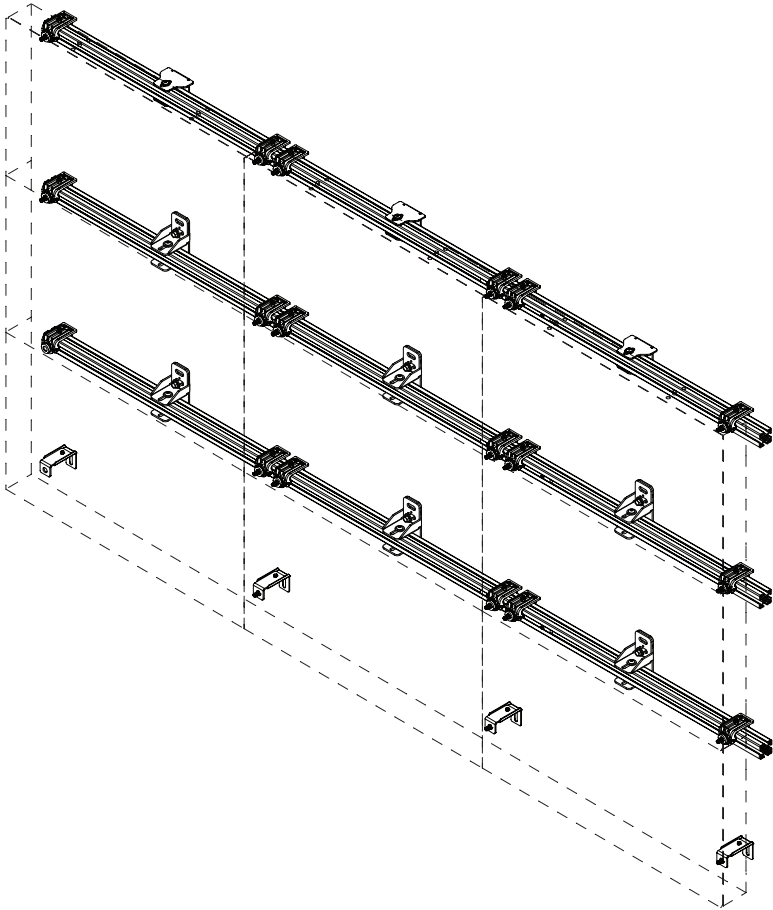




SEAMLESS Kitted Universal Series

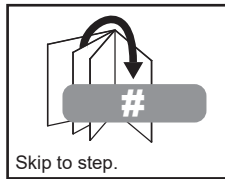
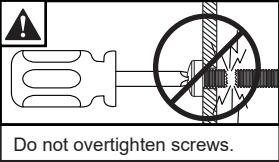
*Actual configuration may vary



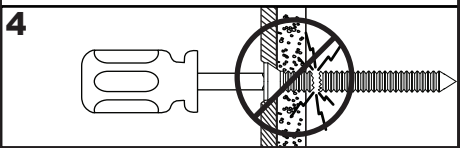
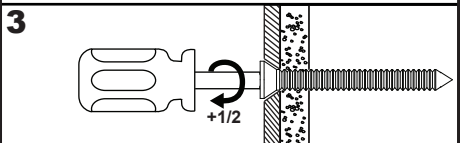
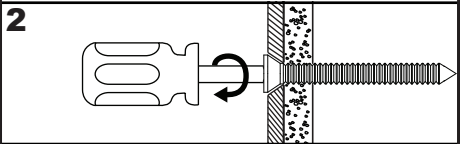
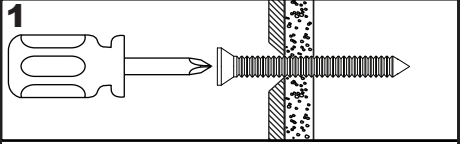
⚠ WARNING

This product is designed to be installed on plywood walls. Hardware is included for plywood installation. This product is designed to be installed on flat, unobstructed, vertical walls. Do not install on curved or angled walls. Before installing make sure the supporting surface will support the combined load of the equipment and hardware. Screws must be tightly secured. Do not over tighten screws or damage can occur and product may fail. Never exceed the Maximum Load Capacity. Always use an assistant or mechanical lifting equipment to safely lift and position equipment. This product is intended for indoor use only. Use of this product outdoors could lead to product failure or personal injury. Be careful not to pinch fingers when operating the mount. For support please call customer care at 1-800-865-2112.

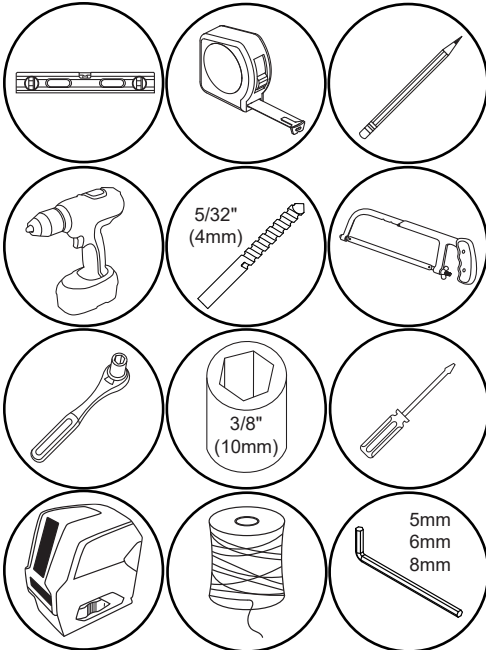
Symbols



To properly tighten screws: Tighten until screw head makes contact, then tighten another 1/2 turn. Do not over tighten screws.

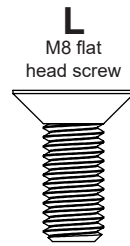
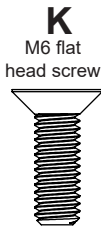
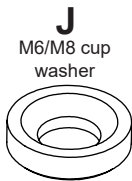
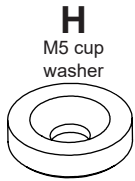
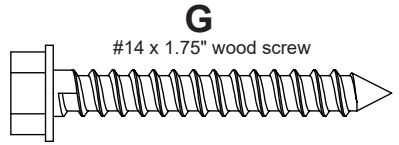
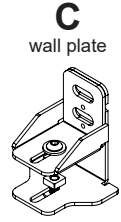
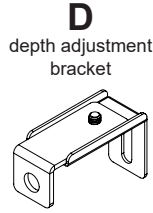
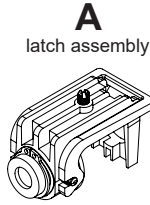
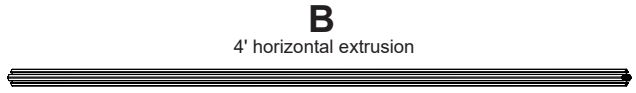


Tools Needed for Assembly.

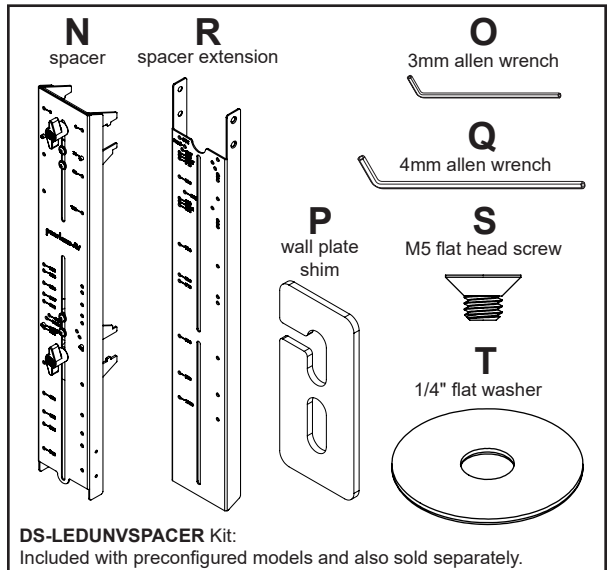


Parts (Before beginning, make sure you have all parts shown below). *Refer to parts list included with your model.

Parts List	
Description	Qty.*
A latch assembly	
B 4" horizontal extrusion	
C wall plate	
D depth adjustment bracket	
E connector plate	
F 1/4" SAE washer	
G #14 x 1.75" wood screw	
H M5 cup washer	
I M5 flat head screw	
J M6/M8 cup washer	
K M6 flat head screw	
L M8 flat head screw	
M M10 socket cap screw	



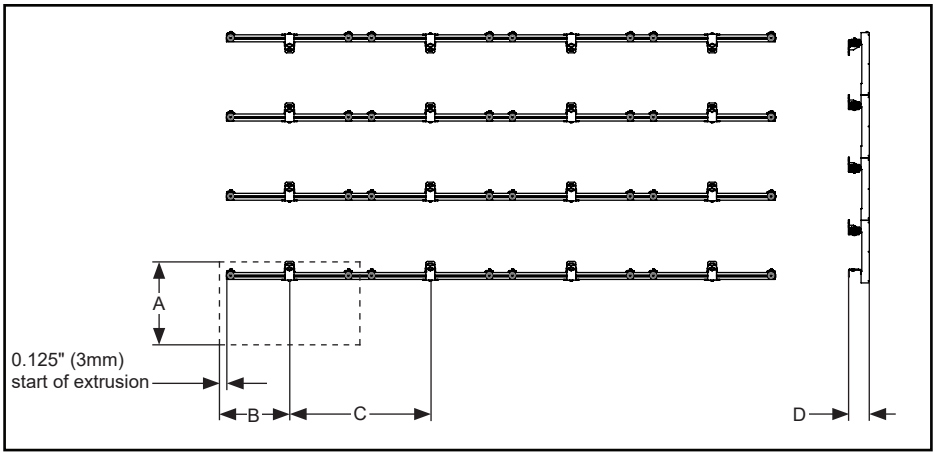
Parts List	
Description	Qty.
N spacer	2
O 3mm allen wrench	1
P wall plate shim	10
Q 4mm allen wrench	1
R spacer extension	2
S M5 flat head screw	8
T 1/4" flat washer	8



1

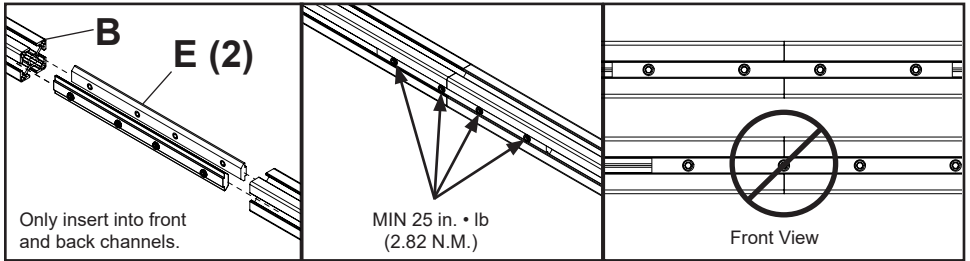
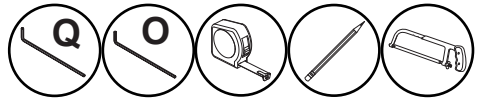
See the table and drawing below for the dimensions that will locate the mount on the wall.

Compatible Display	Bottom of the video wall to the top of the first wall plate. Dimension A	Side of video wall to center of first wall plate Dimension B	Center to center wall plates. Dimension C	System Depth Range. Dimension D
Absen Acclaim Plus/Pro/V3	345.24	305	610	120.65-137.67
Absen KL II	395.74	320	640	136.40-153.67
Absen NX	582.74	240	480	115.06-132.08
AOTO CVE	360.25	300	600	108.71-125.98
Barco XT	382.17	305	610	142.75-159.76
Christie CSII	368.24	300	600	108.71-125.98
Christie CSIII	368.24	300	600	100.58-117.86
Fabulux T Series	515.24	250	500	103.88-121.16
INFILED WP	365.49	300	600	101.34-118.36
INFILED WT	365.49	300	600	101.34-118.36
Jupiter ZavusXP0.7	290.73	240	480	99.57-116.58
Jupiter ZavusXP0.9-1.2	348.23	300	600	99.57-116.58
Just Video Walls	361.9	300	600	110.74-127.76
Leyard GF	504.74	320	640	145.54-162.56
LG LSAC	700.68	300	600	122.68-139.70
LG LSBB	384.45	300	600	127.25-144.27
LG LSBE	380.37	300	600	143.51-160.53
LG LSBF	715.72	300	600	143.51-160.53
LG LSCA-GK2 (500x500)	532.79	250	500	136.65-153.67
LG LSCA-GK (500x1000)	1032.79	250	500	136.65-153.67
LG LSCB	365.49	300	600	101.09-118.11
Linsn MA640	505.74	320	640	128.52-145.79
Linsn N169S	382.74	300	600	117.60-134.87
MAXHUB M27	378.87	320	640	102.61-119.63
Philips 27BDL6000	382.74	304	608	130.55-147.57
Philips 28HDL5000	538.69	250	500	113.54-130.81
Philips 44HDL5000	1038.69	250	500	113.54-130.81
Planar 27" DLP	380.94	302.4	604.8	116.58-133.86
Planar 36" DLP	721.14	302.4	604.8	116.58-133.86
QST PH	365.49	300	600	108.20-125.47
Samsung IEC	373.24	300	600	109.73-127
Sharp NEC E Series	379.49	300	600	100.58-117.60
Sharp NEC FA, FC, FE	378.74	304	608	120.65-137.67
SNA VST	480.74	200	400	117.60-134.62
SNA VTII	475.74	200	400	144.78-162.05
Sony BC	377.74	304	608	120.14-137.16
Sony BHCH	345.24	305	610	140.21-157.22
Unilumin ULWIII	378.24	300	600	116.33-133.35
Unilumin Umini III	378.24	300	600	112.01-129.28
Unilumin Upanel II	383.82	305	610	139.70-156.72
Unilumin UPanelS	381.53	305	610	142.75-159.77
Unilumin UPanelSI	383.82	305	610	136.65-153.92
Unilumin Uslim II (500x250)	290.69	250	500	110.23-127.51
Unilumin Uslim II (500x500)	499.9	250	500	110.23-127.51
Unilumin Uslim II (500x1000)	1040.74	250	500	110.23-127.51
Unilumin UTWIII	580.79	240	480	99.82-116.84



2

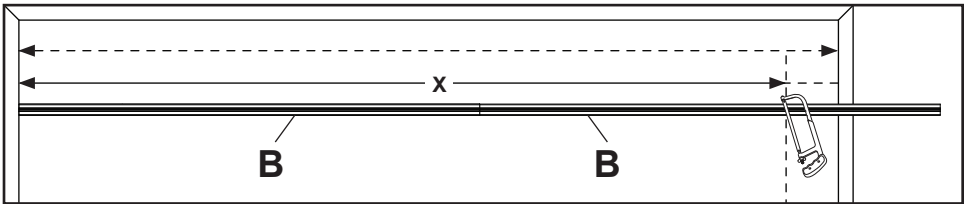
Optional: connecting two horizontal extrusions.



2-1

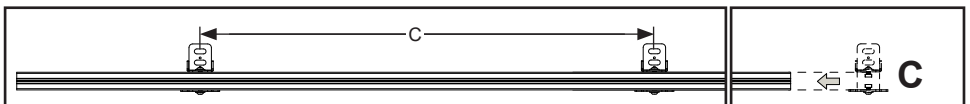
Determine the required extrusion length with the following extrusion cut to length formula:

$$\text{Video Wall Width} - 0.25" (6\text{mm}) = \text{Extrusion Length}$$



2-2

Now that the extrusions are cut to length, separate the extrusions and slide wall plates onto horizontal extrusions and tighten with the wall plate fully extended (one wall plate per display unless the display is >960mm wide, in which case there will be two wall plates per display).

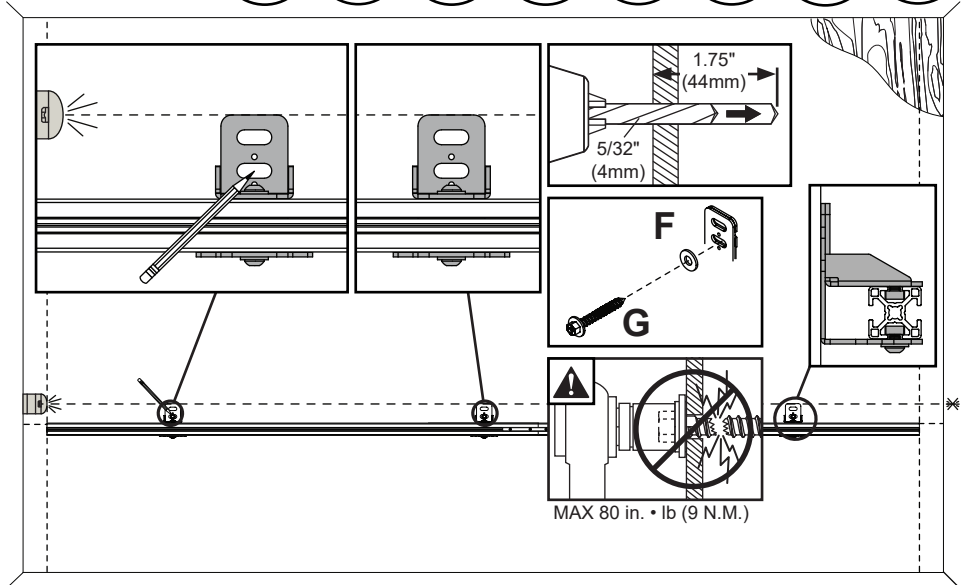
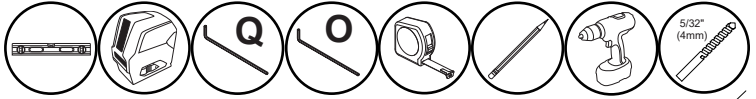


⚠ WARNING

When installing Peerless wall mounts on a wood stud wall covered with plywood, verify that the wood studs are a minimum of 2" x 4" nominal size and plywood is a minimum Grade BC, 1/2" (13mm) thick. Plywood may be covered by gypsum board (drywall) up to 5/8" thick.

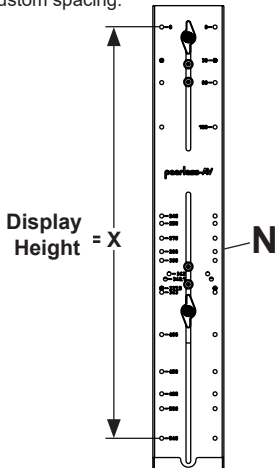
2-3

Install the bottom row, first extrusion assembly, on the laser line per table (step 1), dimension "A". Install additional bottom row extrusions one at a time using connector plates to join extrusions. Drill mounting holes and install screws and washers with top edge of the wall plates on the laser line.



3

Determine the height of the display being mounted and locate the same dimension on the front of the spacer. If the display height is above 540mm, add the spacer extension. If display height is not listed on the spacer, measure the display to set custom spacing.



$X > 540\text{mm}$



$X \leq 540\text{mm}$

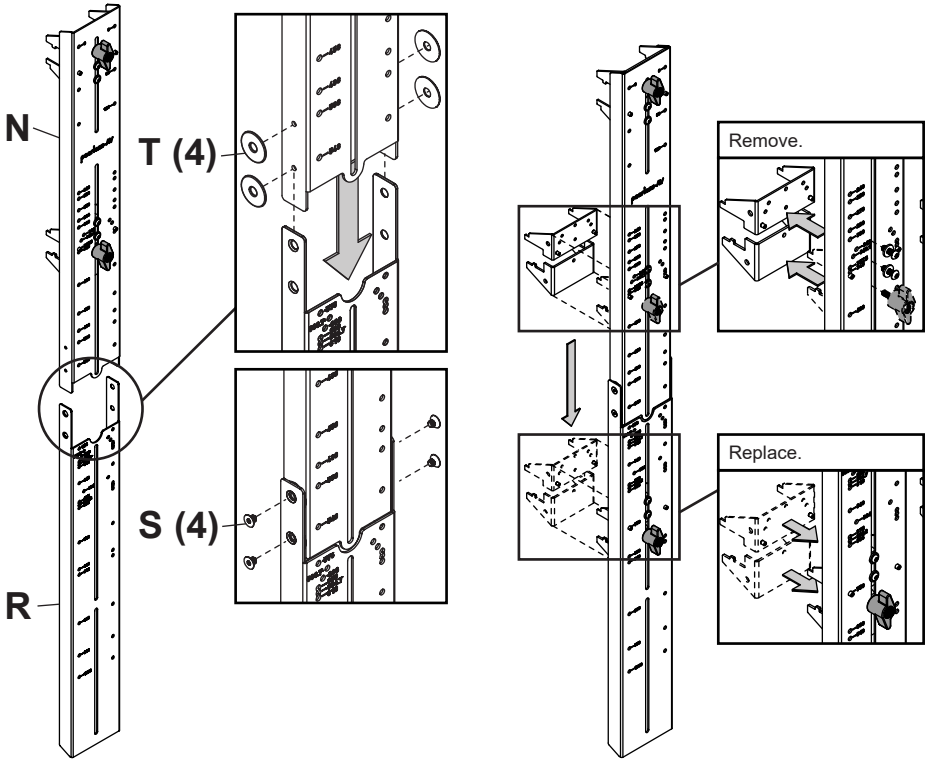


$X = \text{Not listed}$



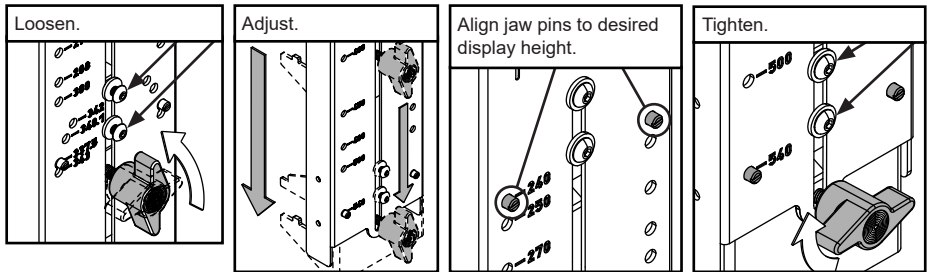
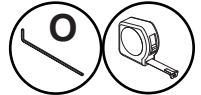
3-1

Add the extension for displays taller than 540mm. Move the spacer bracket and clamp to the lower extension.



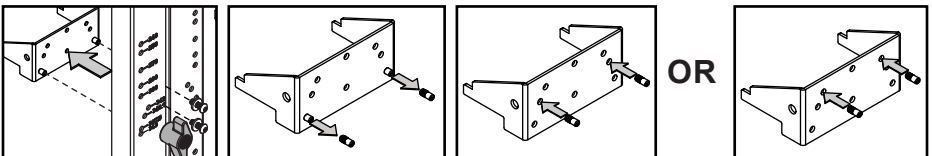
4a

Move spacer bracket and clamp to the desired display height. This may require adjusting the pins of spacer bracket.



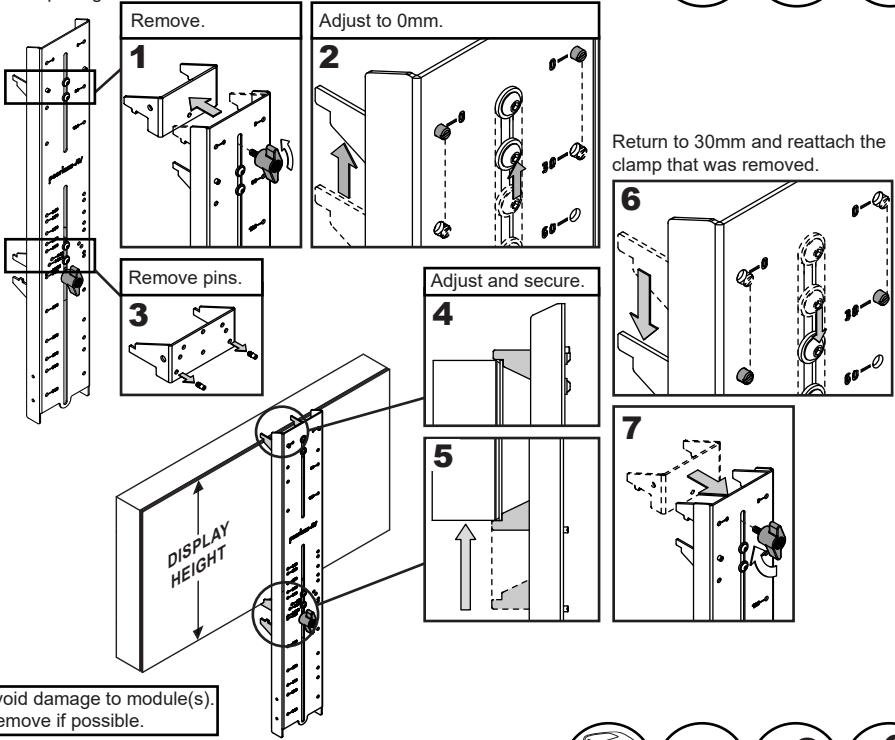
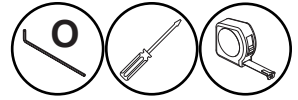
4a-1

Optional: Remove and replace pins to align with correct display height.



4b

If the display height is not listed on the spacer, measure the display to set the spacing.

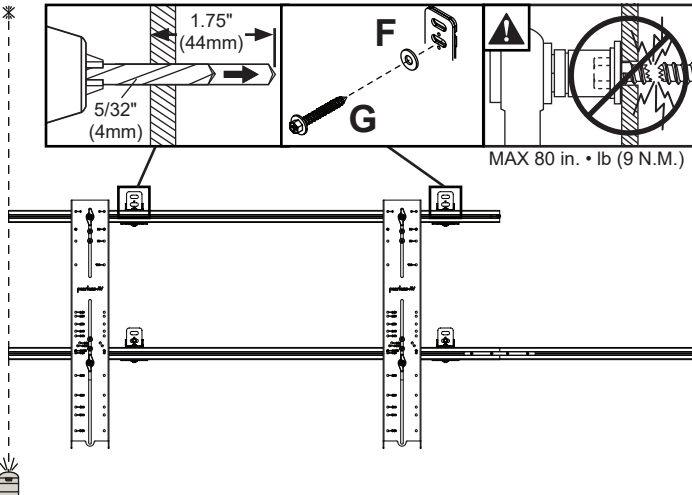
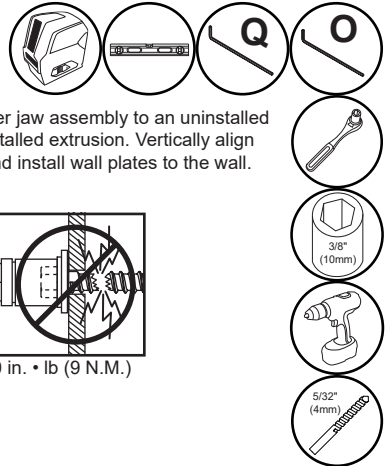


Return to 30mm and reattach the clamp that was removed.

Avoid damage to module(s).
Remove if possible.

5

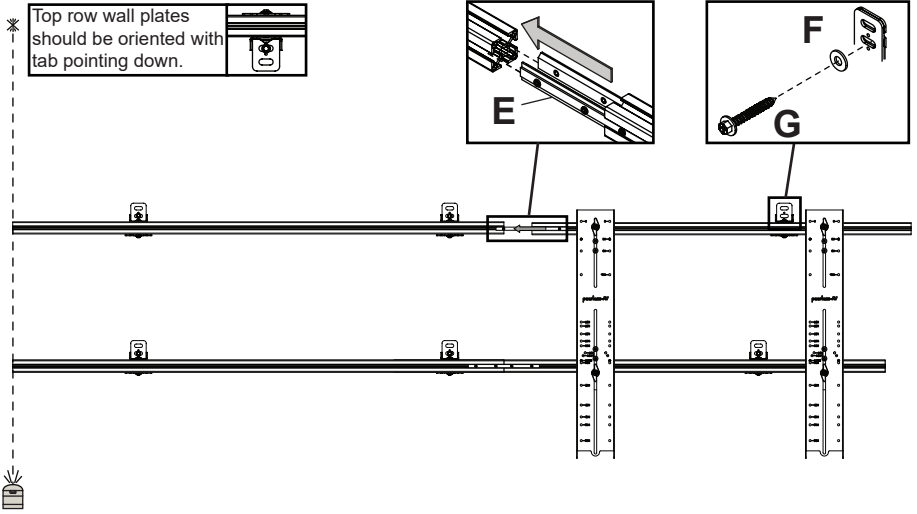
Install remaining extrusions using the spacers. Clamp the upper spacer jaw assembly to an uninstalled extrusion assembly. Clamp the bottom spacer jaw assembly to the installed extrusion. Vertically align extrusions with a laser. Drill mounting holes into supporting surface and install wall plates to the wall.



6

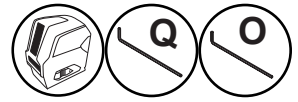
Loosen clamps and remove spacers.
Repeat steps above to install the next extrusion.

Engage and secure connector plate to mounted extrusions. Secure wall plates to wall. Remove spacer when extrusions are fully secured.

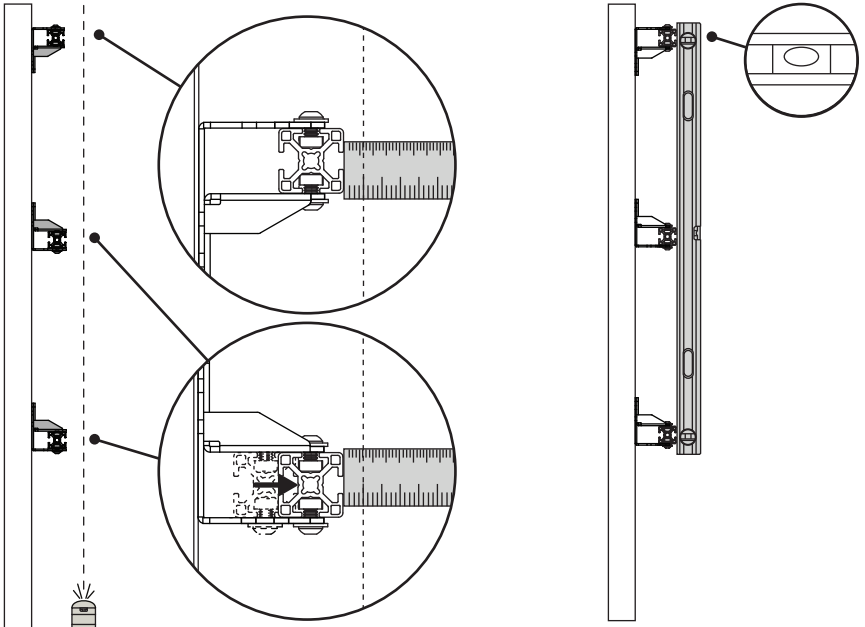


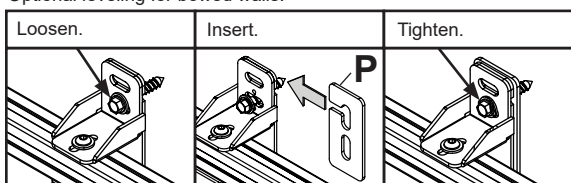
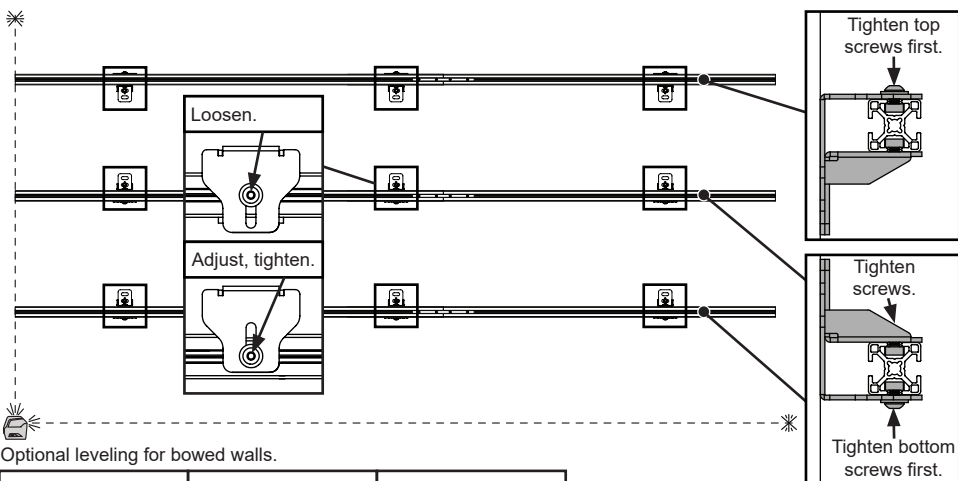
7

Set a laser level so that it is parallel to the mounting surface (wall). Measure to the face of the extrusion so that all points of the extrusion are the same distance from the laser line, creating one flat plane across the face of the mount. Tighten screws.

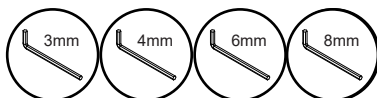
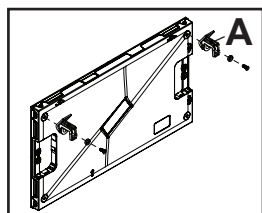


Double check using a straight edge to span three extrusions. Adjust low and high spots as needed.

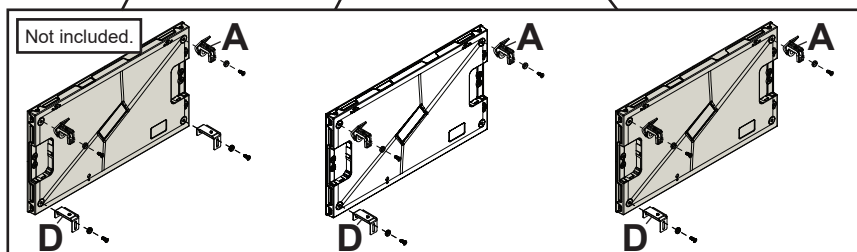
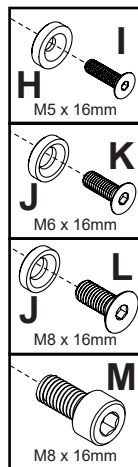
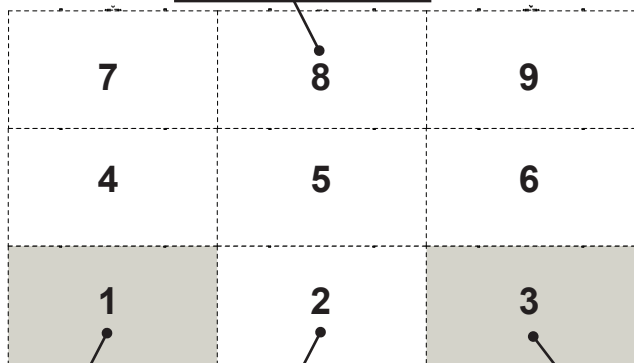




8



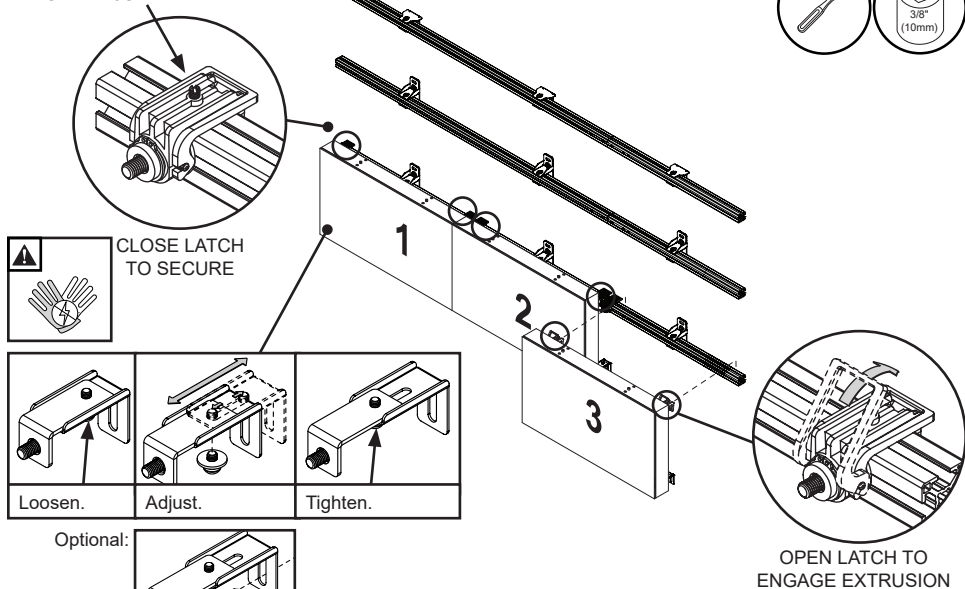
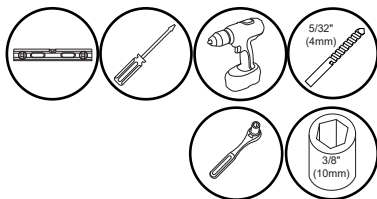
If mounting hardware is preinstalled, remove and replace with hardware provided.



9

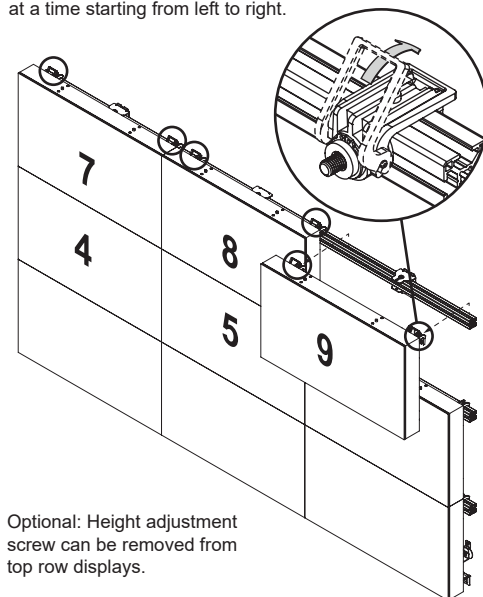
Hook display cabinets onto horizontal extrusion, adjust height to level and join cabinets together using connecting system. Adjust plumb, close latch, then run cables one at a time starting from left to right.

HEIGHT ADJUSTMENT



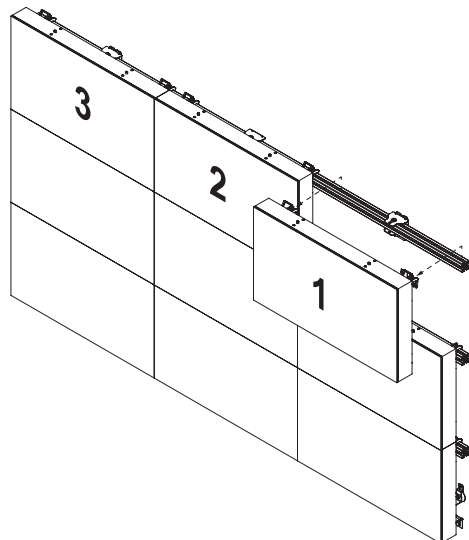
9-1

Hook display cabinets onto horizontal extrusion, adjust height to level and join cabinets together using connecting system. Close latch, then run cables one at a time starting from left to right.



9-2

To remove, start from the top right. Open latch assemblies, disconnect cables, separate cabinets and remove displays one at a time.



ENG Warranty	ESP Garantía	FRN Garantie	DEU Garantie	NEL Garantie
ITL Garanzia	ČES Záruka	SLK Záruka	POR Garantia	TÜR Garanti

www.peerless-av.com/warranty • www.peerless-av.com • www.peerless-av.com/patents

peerless-AV[®]

Peerless-AV

2300 White Oak Circle
Aurora, IL 60502, USA
info@peerless-av.com

(800) 865-2112
(630) 375-5100

Peerless-AV EMEA

Unit 2, Curo Park
Frogmore, St. Albans,
Hertfordshire, AL2 2DD
United Kingdom

+44 (0) 1923 200 100

Peerless-AV B.V.

Papendorpseweg 75
3528 BJ Utrecht
The Netherlands

+31 (0) 70 770 8037

Peerless-AV Latin America

Av. de las Industrias 413
Parque Industrial Escobedo
General Escobedo N.L.,
México 66062

+52 (81) 8384-8300