

ET6x

Rugged Enterprise Tablet



ZEBRA

Quick Start Guide

2024/01/30

ZEBRA and the stylized Zebra head are trademarks of Zebra Technologies Corporation, registered in many jurisdictions worldwide. All other trademarks are the property of their respective owners. ©2023 Zebra Technologies Corporation and/or its affiliates. All rights reserved.

Information in this document is subject to change without notice. The software described in this document is furnished under a license agreement or nondisclosure agreement. The software may be used or copied only in accordance with the terms of those agreements.

For further information regarding legal and proprietary statements, please go to:

SOFTWARE: zebra.com/linkoslegal.

COPYRIGHTS: zebra.com/copyright.

PATENTS: ip.zebra.com.

WARRANTY: zebra.com/warranty.

END USER LICENSE AGREEMENT: zebra.com/eula.

Terms of Use

Proprietary Statement

This manual contains proprietary information of Zebra Technologies Corporation and its subsidiaries ("Zebra Technologies"). It is intended solely for the information and use of parties operating and maintaining the equipment described herein. Such proprietary information may not be used, reproduced, or disclosed to any other parties for any other purpose without the express, written permission of Zebra Technologies.

Product Improvements

Continuous improvement of products is a policy of Zebra Technologies. All specifications and designs are subject to change without notice.

Liability Disclaimer

Zebra Technologies takes steps to ensure that its published Engineering specifications and manuals are correct; however, errors do occur. Zebra Technologies reserves the right to correct any such errors and disclaims liability resulting therefrom.

Limitation of Liability

In no event shall Zebra Technologies or anyone else involved in the creation, production, or delivery of the accompanying product (including hardware and software) be liable for any damages whatsoever (including, without limitation, consequential damages including loss of business profits, business interruption, or loss of business information) arising out of the use of, the results of use of, or inability to use such product, even if Zebra Technologies has been advised of the possibility of such damages. Some jurisdictions do not allow the exclusion or limitation of incidental or consequential damages, so the above limitation or exclusion may not apply to you.

Features

This section lists the features of the ET6x tablet.



NOTE:

Tablets with Touch Screen Heater have a blue line around the display.

Battery-free tablets have a blank battery pack installed for water and dust sealing.

Figure 1 ET6x Front View

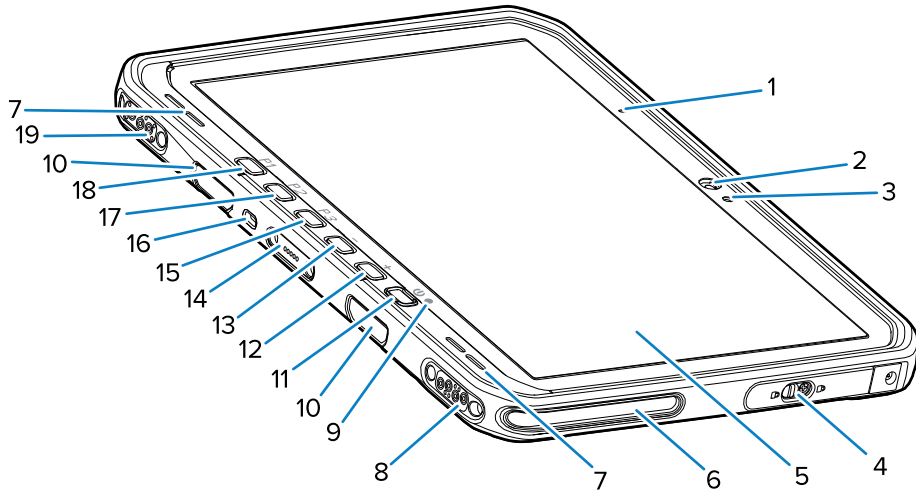


Table 1 Front View

Number	Item	Description
1	Front microphone	Use for voice communications or audio recordings.
2	Front camera	Use for video conferencing.
3	Light sensor	Determines ambient light for controlling display backlight intensity.
4	Access door	Secure door for accessing USB ports (two USB-A and one USB-C).
5	Touch screen	Displays all information needed to operate the device.
6	Dock alignment slot	Assists in aligning the tablet with the dock.
7	Speakers	Provides audio output.
8	Dock USB connector	Provides USB communication through the dock.
9	Charging indicator	Indicates power state and battery charging status while charging and application-generated notifications.
10	Keyboard/Shoulder strap mount slots	Provides alignment and mounting of keyboard and shoulder strap clips.

Table 1 Front View (Continued)

Number	Item	Description
11	Power button	Turns the display on and off. Press and release to turn on the device. Press and hold to restart the device or power it off.
12	Volume up button	Increases the audio volume.
13	Volume down button	Decreases the audio volume.
14	Keyboard interface connector	Provides power and communication with the keyboard.
15	P3 button	Programmable button (PTT - default).
16	Kensington security slot	Provides mounting a security cable to prevent theft or unauthorized use of the tablet.
17	P2 button	Programmable button (Home - default).
18	P1 button	Programmable button (Back - default).
19	Dock Power / Antenna connector	Provides power and antenna connection through the dock.

Figure 2 USB Ports

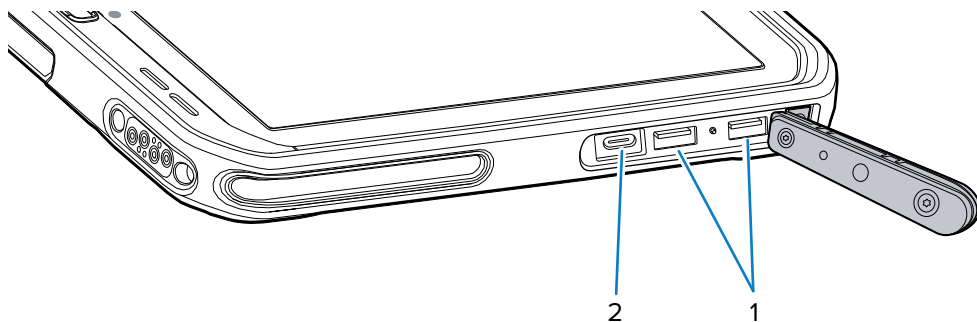
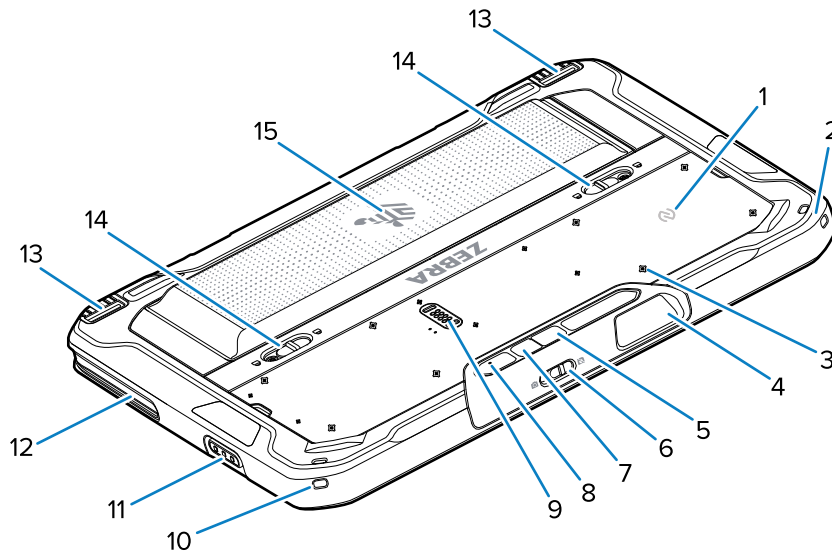


Table 2 USB Ports

Number	Item	Description
1	USB-A port	Provides communication with accessories such as scanners.
2	USB-C port	Provides communication with a host computer and charging.

Figure 3 ET6x Back View



Number	Item	Description
1	NFC antenna	Use to read NFC cards.
2	Stylus mount	Provides mounting for a stylus tether.
3	Accessory mount point locations	Indicates mounting location points on polymer film for accessory captive screws. CAUTION: Do not remove the polymer film.
4	Scanner exit window	Provides data capture using the imager.
5	Rear camera	Autofocus camera that takes photos, captures barcode data, and reads OCR data.
6	Front camera privacy cover switch	Use to cover the front camera when not in use.
7	Rear camera LED flash	Provides illumination for the camera.
8	Rear microphone	Use for audio recordings.
9	Communication expansion port	Provides USB communication and power to an accessory.
10	Stylus mount	Provides mounting for a stylus tether.
11	Scan button	Initiates barcode data capture when a scan-enabled application is active.
12	Dock alignment slot	Assists in aligning the tablet with the dock.
13	Dock locking mechanism	Secures the tablet in a dock.
14	Battery release latches	Releases the battery.
15	Battery Blank Battery Pack	Provides power to the tablet.

Number	Item	Description
		Provides water and dust sealing when used in fixed mount installation when a battery is not required.

Repair or Replacement

For purchasing a new battery for repair and replacement a battery, go to [Request a Repair](#).

Repair and replacement services of ET60/65 for 3 to 5 years from the date of sale can be purchased from [One Care Support Services](#)

Setting Up the Device

To start using the device for the first time:



NOTE: The ET6x with a battery ships in Ship Mode to prevent discharging during shipment and storage. To remove the tablet from Ship Mode, place the tablet in a powered Vehicle Dock, connect power with a USB cable, or press the power button.

1. Install a nano SIM card (optional for ET65 only).
2. Install a microSD card (optional).
3. Install the battery.
4. Charge the device.

Installing the nano SIM Card

This section provides steps to install a nano SIM card.

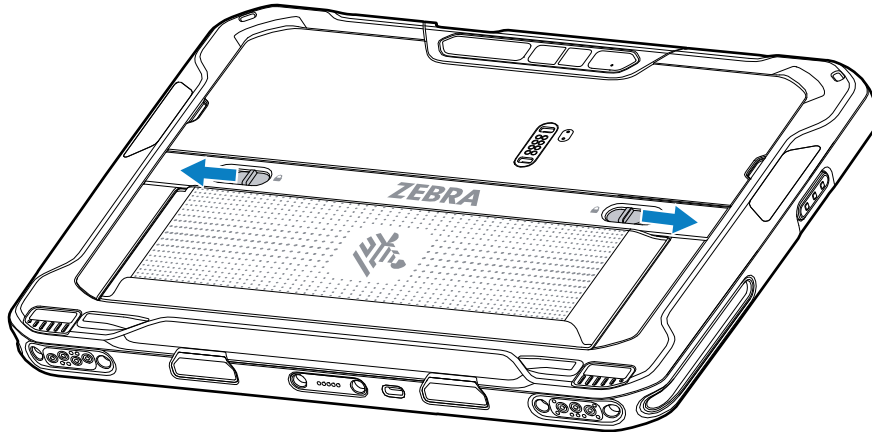


NOTE: Only use a nano SIM card.

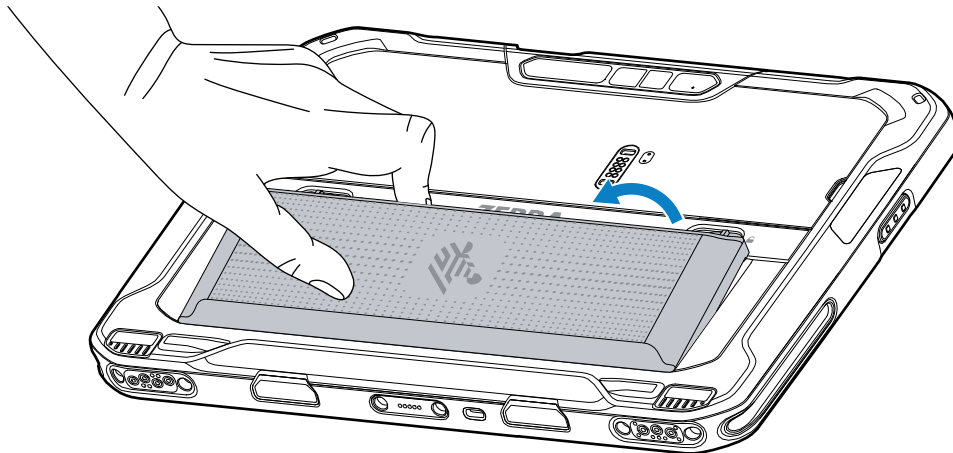


CAUTION: For proper electrostatic discharge (ESD) precautions to avoid damaging the SIM card. Proper ESD precautions include but are not limited to, working on an ESD mat and ensuring that the user is properly grounded.

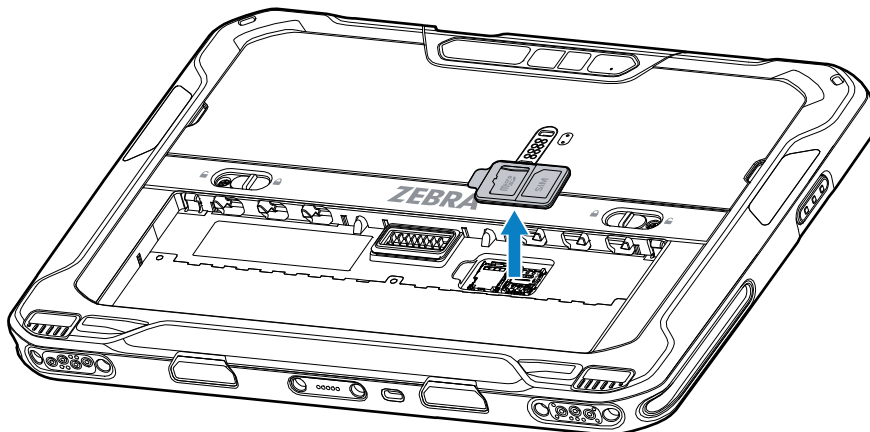
1. Slide the battery release latches toward the sides of the tablet.
The battery ejects slightly.



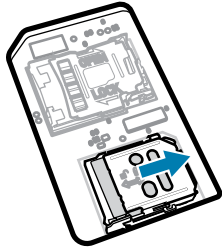
2. Lift the battery out of the tablet.



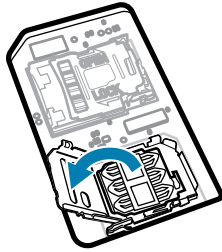
3. Remove the access door.



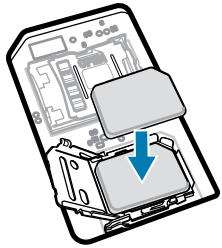
- Slide the SIM card holder to the unlock position.



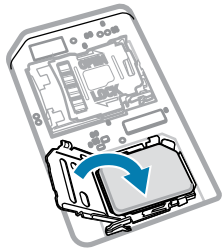
- Lift the SIM card holder door.



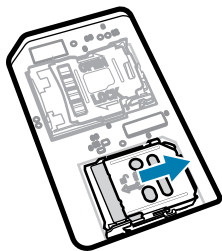
- Place the nano SIM card into the card holder with contacts facing down.



- Close the SIM card holder door.

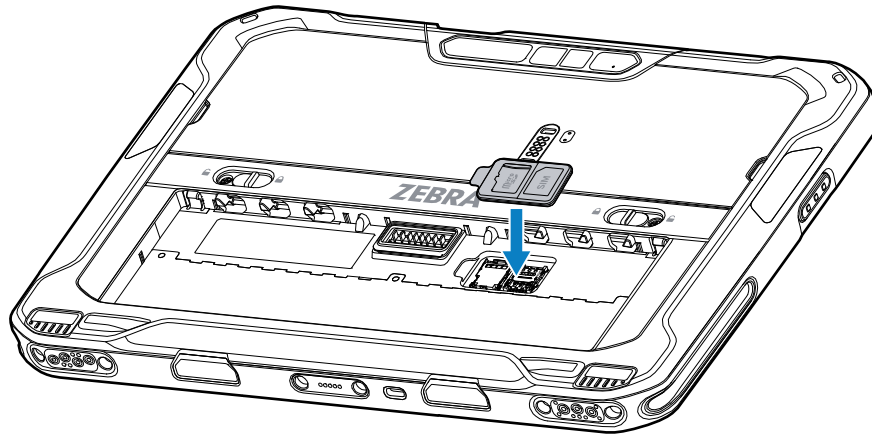


- Slide the SIM card holder door to the lock position.

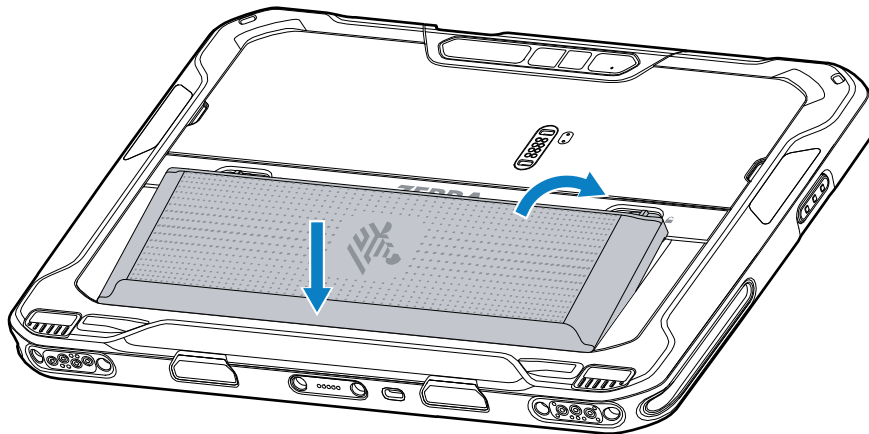


NOTE: To ensure proper device sealing, the access door must be replaced and securely seated.

9. Replace the access door.



10. Insert the battery, bottom first, into the battery compartment at the back of the device.



11. Press the battery down into the compartment until the release latches snap into place.

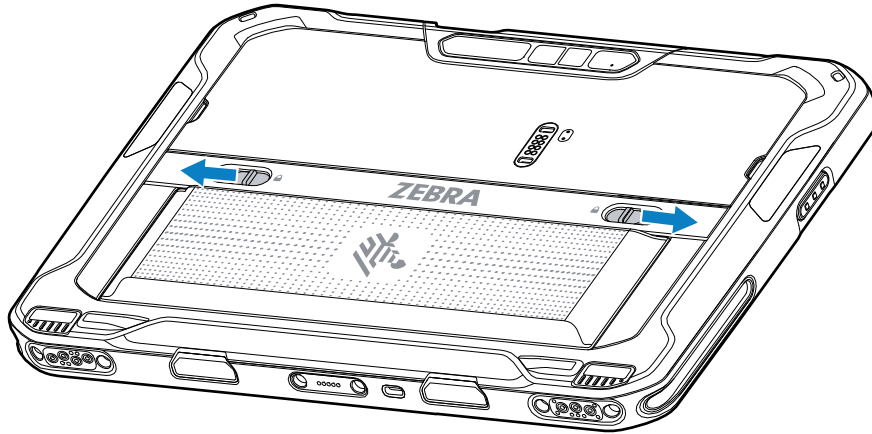
Installing the microSD Card

The microSD card slot provides secondary non-volatile storage. The slot is located under the battery. Refer to the documentation provided with the card for more information, and follow the manufacturer's recommendations for use.

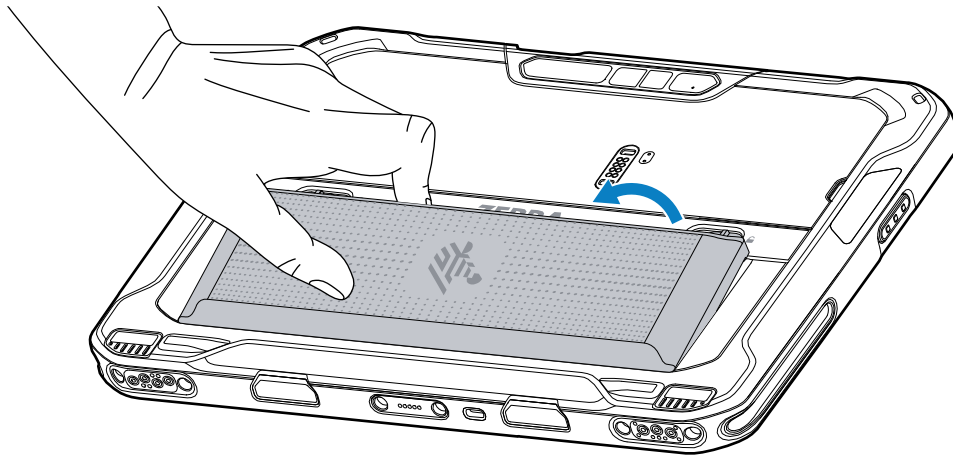


CAUTION: Follow proper electrostatic discharge (ESD) precautions to avoid damaging the microSD card. Proper ESD precautions include but are not limited to, working on an ESD mat and ensuring that the operator is properly grounded.

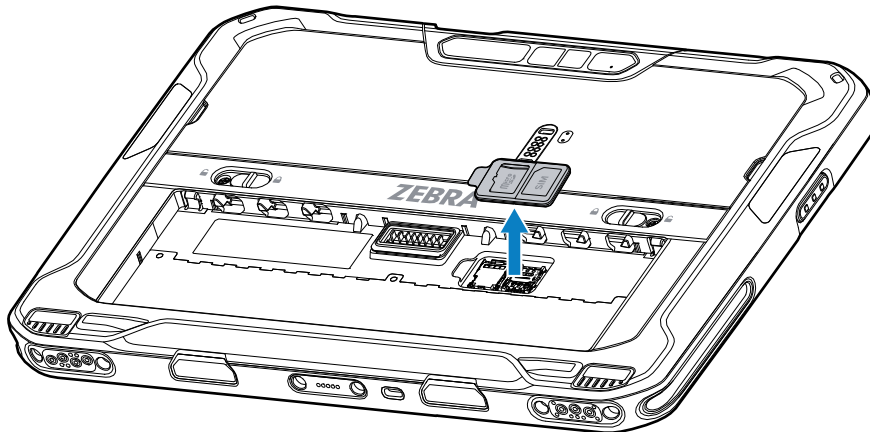
1. Slide the battery release latches toward the sides of the tablet.
The battery ejects slightly.



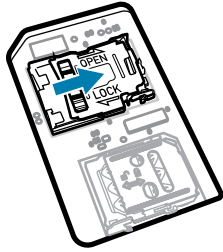
2. Lift the battery out of the tablet.



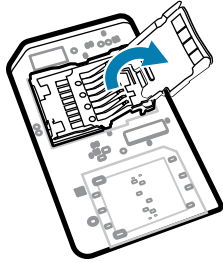
3. Remove the access door.



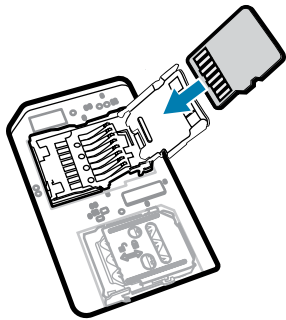
- Slide the microSD card holder to the unlock position.



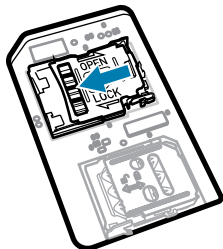
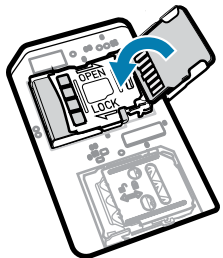
- Lift the microSD card holder.



- Insert the microSD card into the card holder door, ensuring that the card slides into the holding tabs on each side of the door.



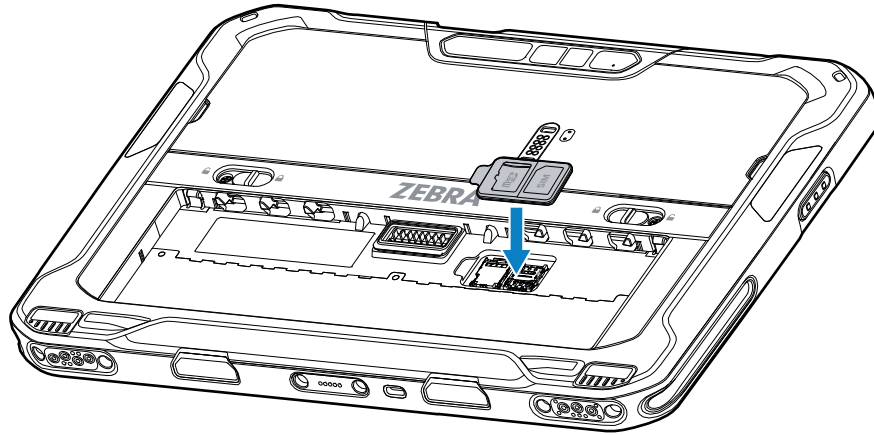
- Close the microSD card holder and lock it into position.



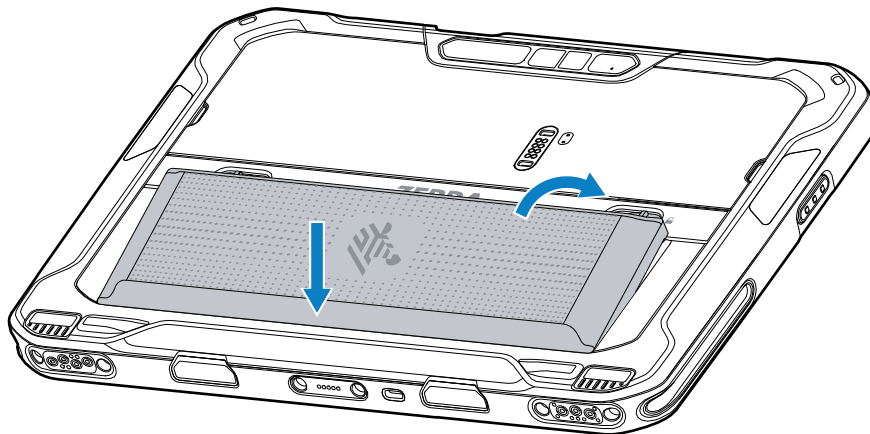


NOTE: To ensure proper device sealing, the access door must be replaced and securely seated.

8. Replace the access door.



9. Insert the battery, bottom first, into the battery compartment at the back of the device.



10. Press the battery down into the compartment until the release latches snap into place.

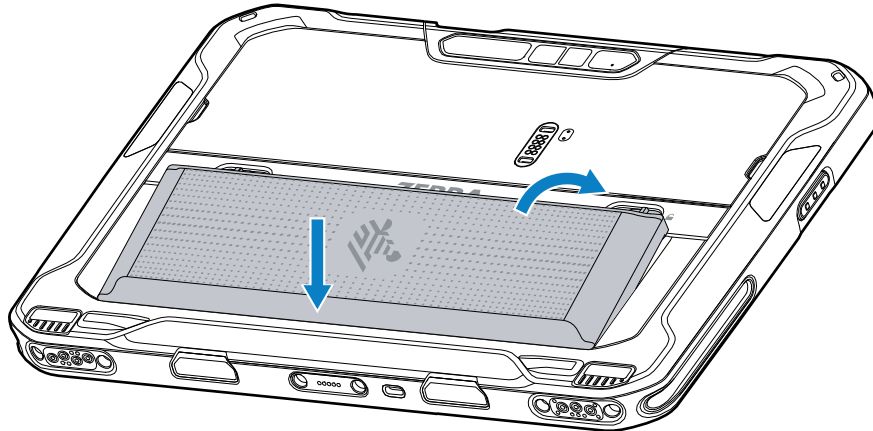
Installing the Battery

This section describes how to install the battery into the tablet.



NOTE: User modification of the device, particularly in the battery well, such as labels, asset tags, engravings, stickers, etc., may compromise the intended performance of the device or accessories. Performance levels such as sealing (Ingress Protection (IP)), impact performance (drop and tumble), functionality, temperature resistance, etc. could be affected. **DO NOT** put any labels, asset tags, engravings, stickers, etc. in the battery well.

1. Insert the battery, bottom first, into the battery compartment at the back of the device.



2. Press the battery down into the compartment until the release latches snap into place.

Activating an eSIM

The ET65 can use a SIM card, an eSIM, or both. You can choose which SIM to use for which action, such as messaging or calling. Before using it, you must activate the eSIM.



NOTE: Prior to adding an eSIM, contact your carrier to obtain the eSIM service and its activation code or QR code.

To activate an eSIM:

1. On the device, establish an internet connection via Wi-Fi or cellular data with an installed SIM card.
2. Go to **Settings**.
3. Touch **Network & internet > Mobile Networks**.
4. Touch + next to **SIMs** if a SIM card is already installed or touch **SIMs** if there is no SIM card installed.

The **Mobile network** screen displays.

5. Select **MANUAL CODE ENTRY** to enter the activation code or touch **SCAN** to scan the QR code to download the eSIM profile.

The **Confirmation!!!** dialog box displays.

6. Touch **OK**.
7. Enter the activation code or scan the QR Code.
8. Touch **NEXT**.

The **Downloading a profile** message displays followed by **Use Network Name?** message.

9. Touch **ACTIVATE**.
10. Touch **Done**.

The eSIM is now active.

Deactivating an eSIM

An eSIM on an ET65 can be turned off temporarily and re-activated later.

To deactivate an eSIM:

1. .
2. Touch **Network & internet > SIMs**.
3. In the **Download SIM** section, touch the eSIM to deactivate.
4. Touch **Use SIM** switch to turn off the eSIM.
5. Touch **Yes**.

The eSIM is deactivated.

Erasing an eSIM Profile

Erasing an eSIM profile removes it completely from the ET65 device.



NOTE: After erasing an eSIM from the device, you cannot use it again.

To erase an eSIM:

1. On the device, establish an internet connection via Wi-Fi or cellular data with an installed SIM card.
2. Touch **Network & internet > SIMs**.
3. In the **Download SIM** section, touch the eSim to erase.
4. Touch **Erase**.

The **Erase this downloaded SIM?** message displays.

5. Touch **Erase**.

The eSIM profile is erased from the device.

Device Charging

Before using the tablet for the first time, connect it to an external power source to charge the battery.



NOTE: Battery-free tablets do not require charging.

Keep the tablet connected to the external power source until fully charged. The Charging Indicator LED turns green when the tablet is fully charged. You may use the tablet while it is charging.

To charge the main battery, connect the charging accessory to the appropriate power source.

Insert the device into the dock or attach the USB charger. The device turns on and begins charging. The Charging/Notification LED blinks amber while charging, then turns solid green when fully charged.

The standard battery charges from 4% to 80% in approximately 2.5 hours. The extended battery charges from 4% to 80% in 5.5 hours. To achieve optimal charging results, use only Zebra charging accessories and batteries. Charge batteries at room temperature with the device in sleep mode.

Charging Accessories

Use one of the following accessories to charge the tablet and spare batteries.

Table 3 Charging Accessories

Accessory	Part Number	Description
USB-C to AC Adapter	PWR-BGA15V45W-UC2-WW	Provides tablet charging only. Requires country-specific AC line cord.
2-slot Battery Charger	SAC-ET6X-2SCHG-01	Charges up to two standard or extended batteries. Requires power supply, DC line cord, and country-specific AC line cord.

Charging Indicators

Charge the battery before using the device.

Table 4 Charging Indicators

LED	Indication
Off	Power is not supplied to the device. The device uses the no cell battery.
Slow blinking orange (1 blink every 4 seconds)	The device is charging.
Slow blinking red (1 blink every 4 seconds)	The device is charging, but the battery is at the end of its useful life.
Fast blinking orange (2 blinks/second)	Charging error. Possible charging errors include: <ul style="list-style-type: none"> • Temperature is too low or too high. • Charging has gone on too long without completion (typically eight hours).
Fast blinking red (2 blinks/second)	Charging error and the battery is at the end of its useful life. Possible charging errors include: <ul style="list-style-type: none"> • Temperature is too low or too high. • Charging has gone on too long without completion (typically eight hours).
Solid Green	Charging complete.
Solid Red	Charging is complete, but the battery is at the end of useful life.
Blinking red (1 blink/second)	A Battery-free tablet is connected to external power.

Charging Temperature

Charge batteries in ambient temperatures.

Charge batteries in temperatures from 5°C to 40°C (41°F to 104°F). The device always performs battery charging in a safe and intelligent manner. At higher temperatures (e.g. approximately +37°C (+98°F)), the device may, for small periods of time, alternately enable and disable battery charging to keep the battery at acceptable temperatures. The device indicates when charging is disabled due to abnormal temperatures via its LED.

Spare Battery Charging

The Spare Battery Charging LED on the cup indicates the status of the spare battery charging. The standard battery charges from 4% to 80% in 2.5 hours. The extended battery charges from 4% to 80% in 5.5 hours.

To achieve optimal fast charging results, use only Zebra charging accessories and batteries.

Table 5 Spare Battery LED Charging Indicators

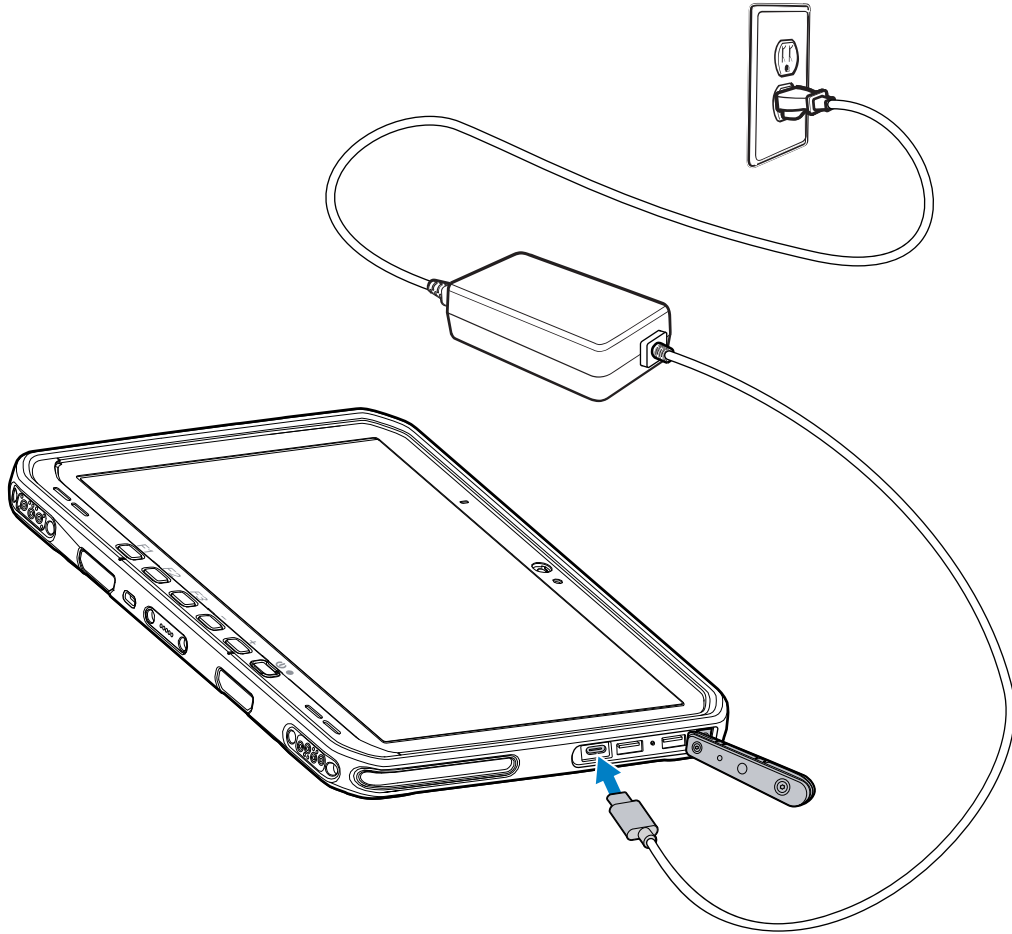
Indication	Description
Solid Amber	The spare battery is charging.
Solid amber with alternate bright amber	The best spare battery is charging.
Solid Green	The spare battery charging is complete.
Solid Green with alternate bright green	The best spare battery charging is complete.
Solid Red	The spare battery is charging, and the battery is at the end of its useful life. Charging is complete, and the battery is at the end of its useful life.
Fast Blinking Red (2 blinks/second)	Error in charging; check the placement of the spare battery and battery at the end of its useful life.
Off	No spare battery in the slot. The spare battery is not placed in the slot correctly. The charger is not powered.

USB-C to AC Adapter

The USB-C to AC Adapter provides power to the tablet.



NOTE: Ensure that you follow the guidelines for battery safety described in the ET6x Product Reference Guide.



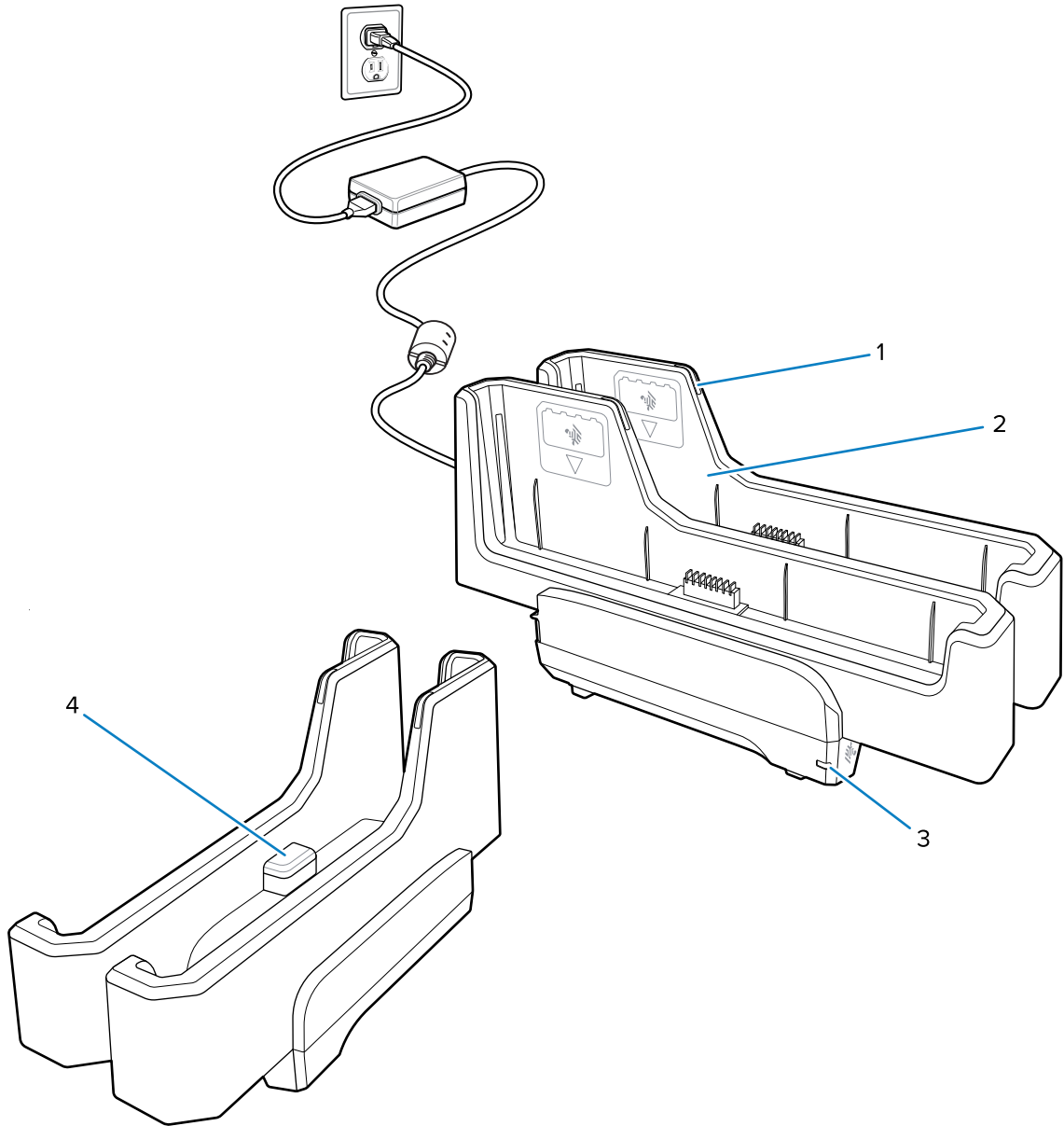
2-Slot Battery Charger

Use the 2-slot Battery Charger to charge up to two standard or extended batteries.



CAUTION: Ensure that you follow the guidelines for battery safety described in the Product Reference Guide.

Figure 4 2-Slot Battery Charger



1	Battery Charge LED
2	Battery slot
3	Power LED
4	USB-C port The USB-C port is a service connector only for firmware upgrades and is not intended for power charging.

See [Spare Battery Charging](#) on page 16 for more information.

Using the Camera

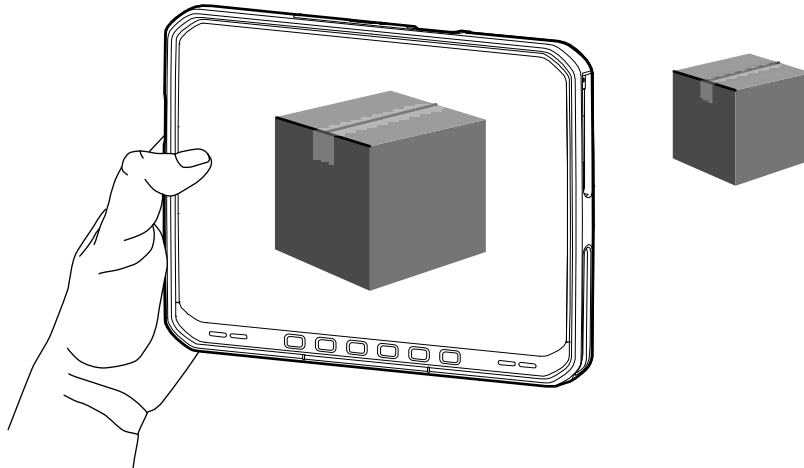
Use the front or rear camera to take a photo or record a video.



NOTE: If using the front camera, move the front camera privacy switch to the open position.

To take a photo or record a video:

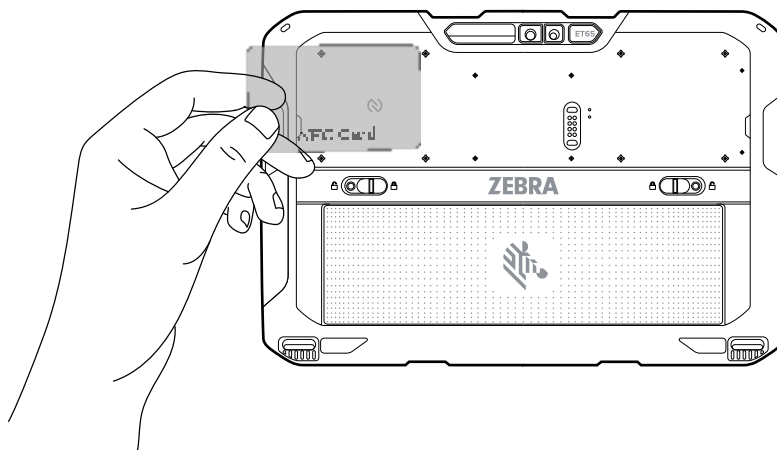
1. Open the Camera application.
2. Point the rear camera at an object.
3. Touch the on-screen shutter button to take a photo or record a video.



Reading NFC Cards

The tablet supports reading NFC cards. The NFC antenna is located on the back of the tablet under the NFC logo.

With an NFC-enabled application open, bring the NFC card toward the antenna. Depending upon the application, an audio or visual indication indicates a successful reading of the card.



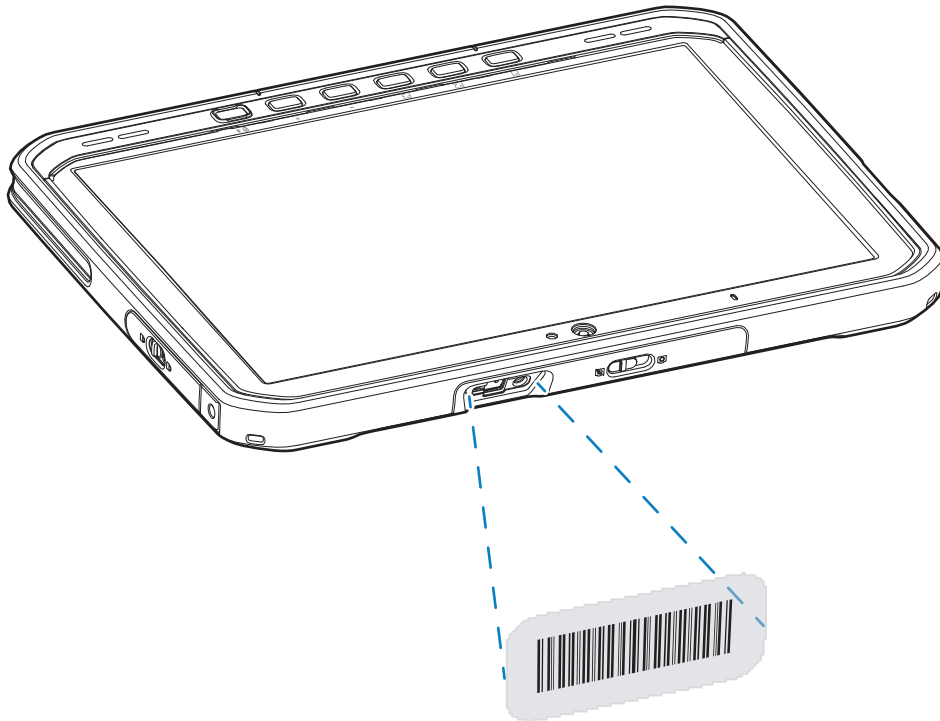
Scanning with the Internal Scanner

Use the internal imager to capture barcode data.



NOTE: To read a barcode, a scan-enabled app is required. The device contains the DataWedge app that allows the user to enable the scanner to decode barcode data and display the barcode content.

1. Ensure that an app is open on the device and a text field is in focus (text cursor in the text field).
2. Point the exit window of the device at a barcode.
3. Press and hold the scan button.



The aiming dot with illumination turns on to assist in aiming.

4. Ensure the barcode is within the area formed by the aiming pattern. The aiming dot is used for increased visibility in bright lighting conditions.

A beep sounds, by default, to indicate the barcode was decoded successfully.

5. The captured data appears in the text field.

Scanning with Camera

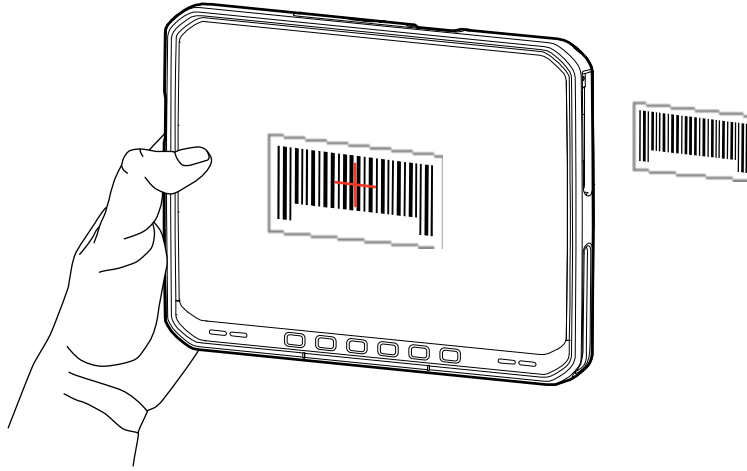
Use the camera to capture barcode data.



NOTE: To read a barcode, a scan-enabled app is required. The device contains the DataWedge app that allows the user to enable the scanner to decode barcode data and display the barcode content.

1. Ensure that an app is open on the device, and a text field is in focus (text cursor in the text field).
2. Point the camera window at a barcode.

3. Press and hold the scan button. By default, a preview window appears on the screen.



4. Move the device until the barcode is visible on the screen.
5. A beep sounds, by default, to indicate the barcode is decoded successfully.
6. The captured data appears in the text field.

