

E23313

First Edition / May 2024

IN SEARCH OF INCREDIBLE



Chromebox 5a Series

Service Manual



COPYRIGHT INFORMATION

No part of this manual, including the products and software described in it, may be reproduced, transmitted, transcribed, stored in a retrieval system, or translated into any language in any form or by any means, except documentation kept by the purchaser for backup purposes, without the express written permission of ASUSTeK COMPUTER INC. ("ASUS").

ASUS PROVIDES THIS MANUAL "AS IS" WITHOUT WARRANTY OF ANY KIND, EITHER EXPRESS OR IMPLIED, INCLUDING BUT NOT LIMITED TO THE IMPLIED WARRANTIES OR CONDITIONS OF MERCHANTABILITY OR FITNESS FOR A PARTICULAR PURPOSE. IN NO EVENT SHALL ASUS, ITS DIRECTORS, OFFICERS, EMPLOYEES OR AGENTS BE LIABLE FOR ANY INDIRECT, SPECIAL, INCIDENTAL, OR CONSEQUENTIAL DAMAGES (INCLUDING DAMAGES FOR LOSS OF PROFITS, LOSS OF BUSINESS, LOSS OF USE OR DATA, INTERRUPTION OF BUSINESS AND THE LIKE), EVEN IF ASUS HAS BEEN ADVISED OF THE POSSIBILITY OF SUCH DAMAGES ARISING FROM ANY DEFECT OR ERROR IN THIS MANUAL OR PRODUCT.

Products and corporate names appearing in this manual may or may not be registered trademarks or copyrights of their respective companies, and are used only for identification or explanation and to the owners' benefit, without intent to infringe.

SPECIFICATIONS AND INFORMATION CONTAINED IN THIS MANUAL ARE FURNISHED FOR INFORMATIONAL USE ONLY, AND ARE SUBJECT TO CHANGE AT ANY TIME WITHOUT NOTICE, AND SHOULD NOT BE CONSTRUED AS A COMMITMENT BY ASUS. ASUS ASSUMES NO RESPONSIBILITY OR LIABILITY FOR ANY ERRORS OR INACCURACIES THAT MAY APPEAR IN THIS MANUAL, INCLUDING THE PRODUCTS AND SOFTWARE DESCRIBED IN IT.

Copyright © 2024 ASUSTeK COMPUTER INC. All Rights Reserved.

LIMITATION OF LIABILITY

Circumstances may arise where because of a default on ASUS' part or other liability, you are entitled to recover damages from ASUS. In each such instance, regardless of the basis on which you are entitled to claim damages from ASUS, ASUS is liable for no more than damages for bodily injury (including death) and damage to real property and tangible personal property; or any other actual and direct damages resulted from omission or failure of performing legal duties under this Warranty Statement, up to the listed contract price of each product.

ASUS will only be responsible for or indemnify you for loss, damages or claims based in contract, tort or infringement under this Warranty Statement.

This limit also applies to ASUS' suppliers and its reseller. It is the maximum for which ASUS, its suppliers, and your reseller are collectively responsible.

UNDER NO CIRCUMSTANCES IS ASUS LIABLE FOR ANY OF THE FOLLOWING: (1) THIRD-PARTY CLAIMS AGAINST YOU FOR DAMAGES; (2) LOSS OF, OR DAMAGE TO, YOUR RECORDS OR DATA; OR (3) SPECIAL, INCIDENTAL, OR INDIRECT DAMAGES OR FOR ANY ECONOMIC CONSEQUENTIAL DAMAGES (INCLUDING LOST PROFITS OR SAVINGS), EVEN IF ASUS, ITS SUPPLIERS OR YOUR RESELLER IS INFORMED OF THEIR POSSIBILITY.

SERVICE AND SUPPORT

Visit our multi-language website at <https://www.asus.com/support/>.

Table of Contents

Chapter 1: Introduction

Disclaimer	6
Safety precautions.....	6
Pre-repair checklist	8
Diagnostics tool	9
Installation tools.....	9
Major components.....	10
Accessories.....	11

Chapter 2: Service Procedures

Bottom cover.....	14
Removal	14
Installation	17
Memory module(s).....	19
Removal	20
Installation	21
Wireless card.....	22
Removal	23
Installation	24
M.2 SSD	25
Removal	26
Installation	27
Fan module	28
Removal	29
Installation	32
Heatsink	33
Removal	34
Installation	35

Motherboard	36
Removal	36
Installation	37
CMOS battery	39
Removal	39
Installation	40
Chassis	41
Removal	42
Installation	44
EMI shielding cover	46
Removal	47
Installation	51

Chapter 1: ***Introduction***

Disclaimer

ASUS is not responsible for direct, indirect, intentional or unintentional damages resulting from improper installation and operation.

Safety precautions

- Before handling components, use a grounded wrist strap or touch a safely grounded object to avoid damaging them due to static electricity.
- Keep liquids or moisture away from your Chromebox to avoid short circuits.
- Remove rings, watches, and any other metal objects from your hands.
- Hold components by the edges to avoid touching the ICs.
- Properly install all components before connecting the AC power.
- Do not use power adapters or batteries from other devices to reduce the risk of injury to persons due to fire or explosion. Use only certified power adapters or batteries supplied by the manufacturer or authorized retailers.
- Detach all clips or flaps before removing cables to prevent damage.

- Disconnect cables, connectors, and power plugs by pulling the plug evenly to avoid damage.
- Use screws with the correct specifications on your Chromebox to prevent damage.
- Confirm that the cable orientation is correct before connecting any cables.
- Photograph the appearance of cables, cable routing, connectors, and screws for later reference before proceeding with each step.

Pre-repair checklist

1. Read the entire manual before starting any service procedures and follow all instructions.
2. Back up your Chromebox.
3. Turn off your Chromebox.
4. Place your Chromebox on a stable surface.
5. Disconnect all connected peripherals and cables.

IMPORTANT!

- Purchase replacement components from an authorized retailer of this Chromebox to ensure maximum compatibility and reliability.
- Refer to <https://www.asus.com> for a list of compatible components.

NOTE:

- The illustrations are for reference only.
 - The procedures described in this manual may vary depending on the model configuration and may not reflect the entire servicing process. To service components that are not covered in this manual, please visit an authorized service center for assistance.
 - Keep all adhesive tape, insulating materials, screws, and other removable items in a safe place until the service procedure is completed, as they may be needed during installation.
-

Diagnostics tool

Diagnostics tools are available to help you identify components that need to be replaced and ensure the functionality of the newly installed component(s).

For more information, visit

<https://www.asus.com/support/FAQ/1051593>

Installation tools



Screwdriver

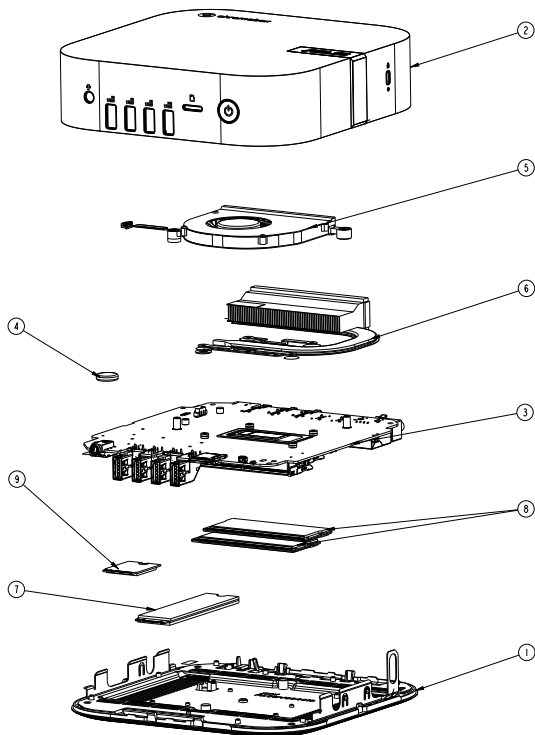


Plastic blade



Tweezers

Major components



1. Chassis (bottom cover)
2. Chassis (top) and shielding cover
3. Motherboard
4. CMOS battery
5. Fan module
6. Heatsink
7. CMOS battery
8. Memory module(s)
9. Wireless card

Accessories



Power adapter



Power cord

Chapter 2: ***Service Procedures***

Bottom cover

Before you begin

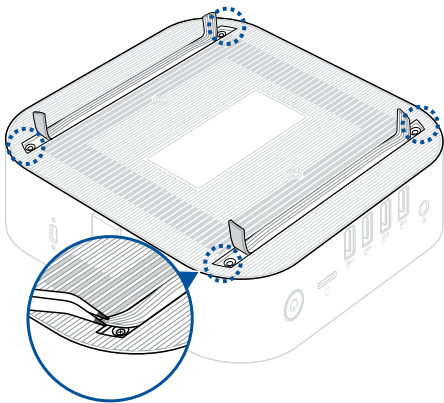
Read the **Safety Precautions** and complete the **Pre-repair Checklist**.

Screw list

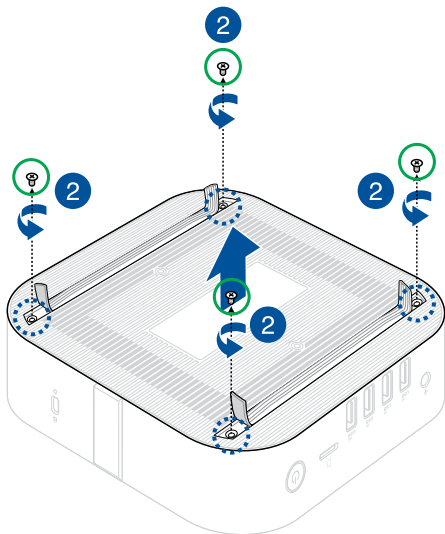
- ⊕ M2.5 X 4L (4 pcs)

Removal

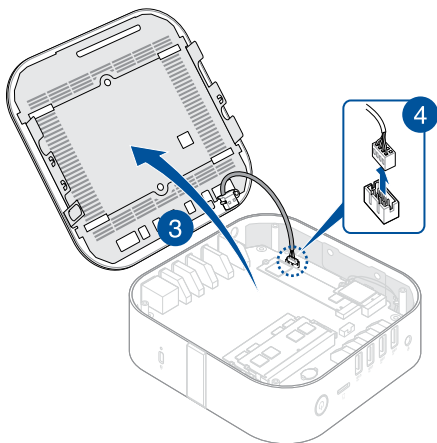
1. Place the Chromebox face down on a flat surface, and lift the two ends of each rubber strip on the bottom cover using a suitable tool, such as a pair of tweezers, to gain access to the screws.



2. Remove the screw(s) from the Chromebox's bottom cover.

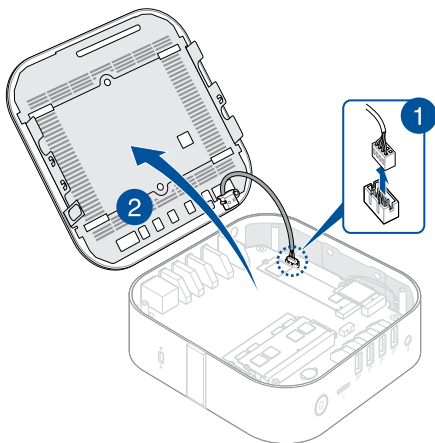


3. Slowly and with extreme care, lift the bottom cover in the direction shown in the illustration.
4. Locate and disconnect the power cable from the motherboard.

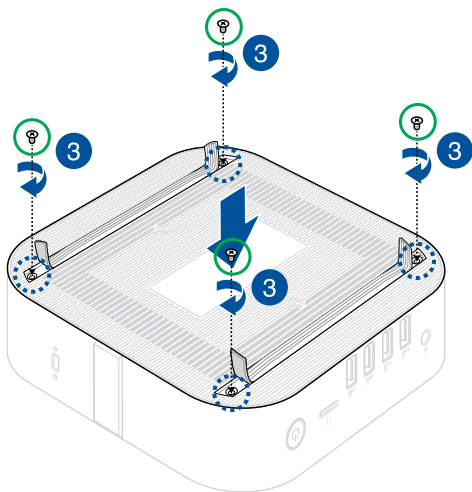


Installation

1. Connect the power cable from the bottom cover to the power connector on the motherboard.
2. Close the bottom cover.



3. Secure the bottom cover with the screws removed earlier.
4. Press the two ends of each rubber strip back into place so that they are flush with the surface of the bottom cover.



Memory module(s)

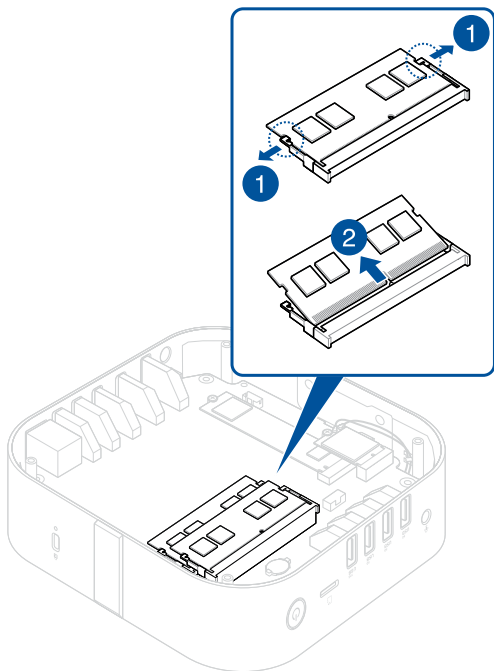
NOTE: We recommend that you install the memory module(s) under professional supervision. You may also visit an authorized service center for further assistance.

Before you begin

1. Read the **Safety Precautions** and complete the **Pre-repair Checklist**.
2. Remove the following component(s):
 - Bottom cover

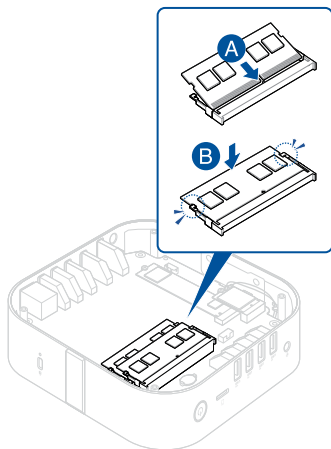
Removal

1. Simultaneously press the two retaining clips outward.
2. Remove the module from the slot.
3. Repeat the same steps to remove the other module.



Installation

1. Align and insert the new memory module into the slot (A), and press down (B) until it is securely seated in place.



2. Repeat the same steps to install a second memory module.
3. Install the component(s) you removed in **Before you begin**.

Wireless card

Before you begin

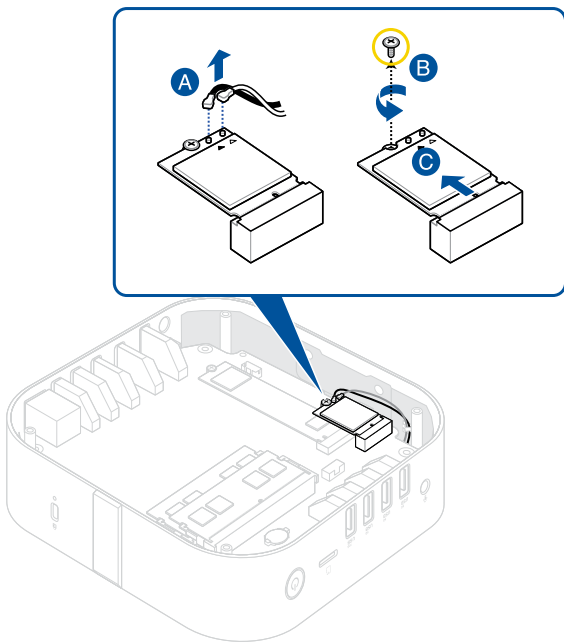
1. Read the **Safety Precautions** and complete the **Pre-repair Checklist**.
2. Remove the following component(s):
Bottom cover

Screw list

- ⊕ M2 X 3L (1 pc)

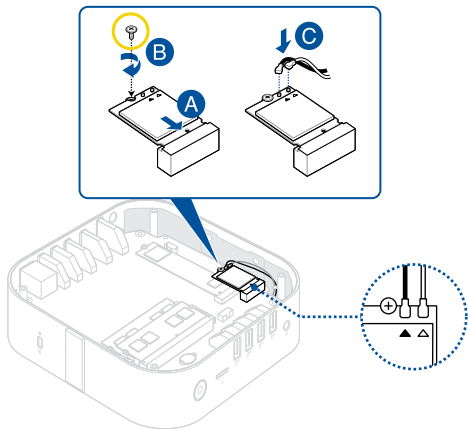
Removal

Remove the wireless card as shown.



Installation

1. Install the wireless card as shown.



NOTE:

- Connect the black antenna cable to the wireless card connector marked with a black triangle ▲, and connect the white antenna cable to the one marked with a white triangle △.
- Connecting antennas to your wireless card may strengthen the wireless signal.
- A soft clicking sound indicates that the antenna has been securely attached to the wireless card.

2. Install the component(s) you removed in **Before you begin**.

M.2 SSD

Before you begin

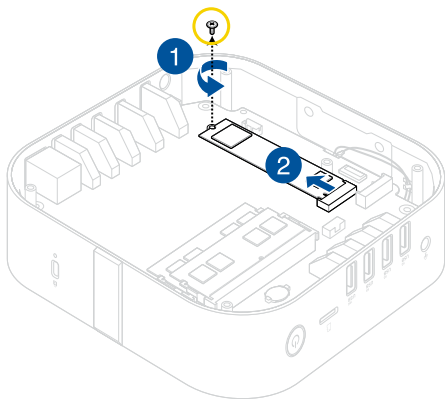
1. Read the **Safety Precautions** and complete the **Pre-repair Checklist**.
2. Remove the following component(s):
 - Bottom cover
 - Wireless card (if one is installed)

Screw list

- ⊕ M2 X 3L (1 pcs)

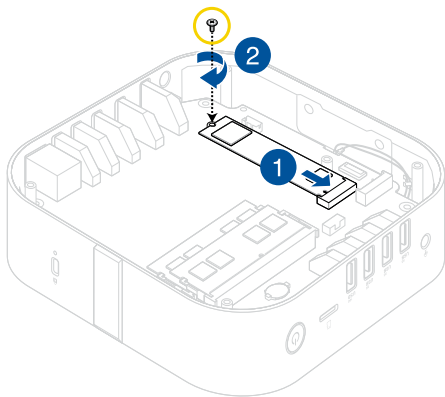
Removal

1. Remove the screw from the standoff.
2. Remove the M.2 SSD from the chassis.



Installation

1. Align and insert the M.2 SSD.
2. Gently push down the M.2 SSD on top of the standoff, and secure it using the screw removed earlier.



3. Install the component(s) you removed in **Before you begin**.

Fan module

Before you begin

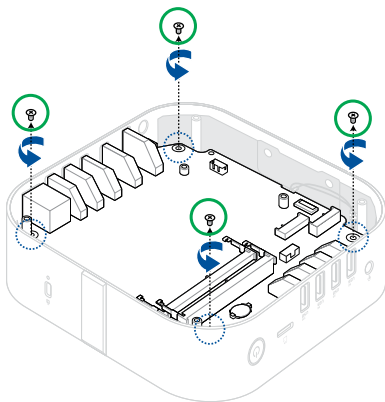
1. Read the **Safety Precautions** and complete the **Pre-repair Checklist**.
2. Remove the following component(s):
 - Bottom cover
 - Wireless card (if one is installed)

Screw list

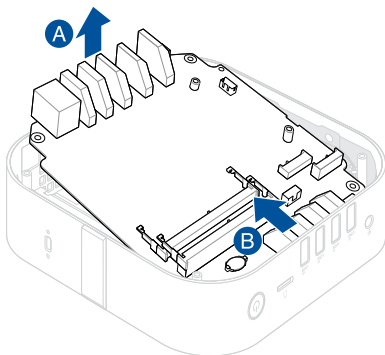
- ⊕ M2.5 X 4L (4 pcs)
- ⊕ M2 X 4L (2 pcs)

Removal

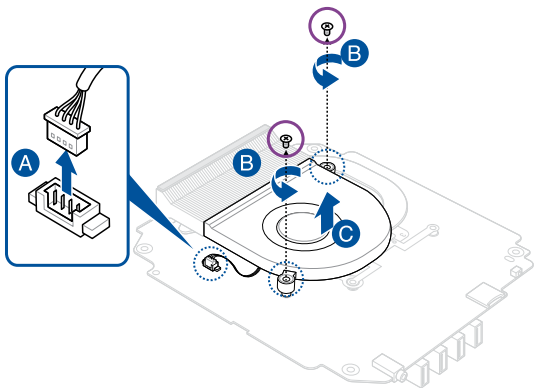
1. Remove the screw(s) securing the motherboard to the chassis.



2. Bend the rear part of the chassis slightly outward to facilitate the removal of the motherboard as shown.

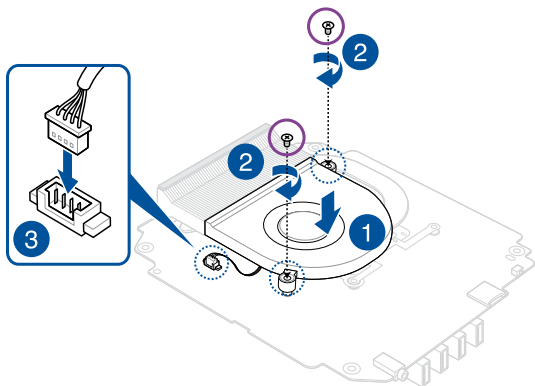


3. Place the motherboard face down.
4. Disconnect the fan connector (A), remove the screw(s) securing the fan module (B), and then remove the fan module (C).



Installation

1. Align and place the fan module as shown.
2. Secure the fan module using the screw(s) removed earlier.
3. Connect the cable from the fan module to the fan connector on the motherboard.



4. Install the component(s) you removed in **Before you begin**.

Heatsink

Before you begin

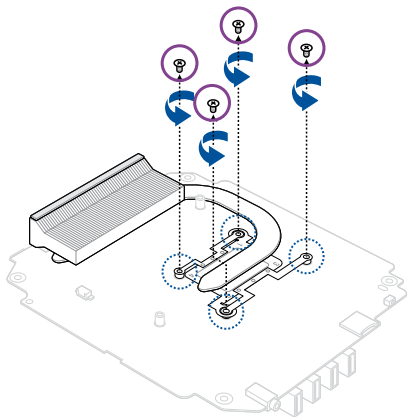
1. Read the **Safety Precautions** and complete the **Pre-repair Checklist**.
2. Remove the following component(s):
 - Bottom cover
 - Fan module

Screw list

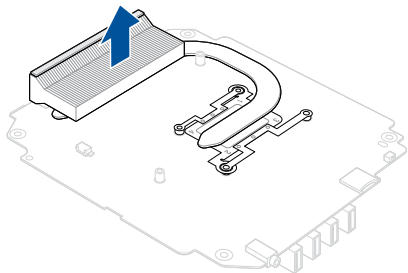
- ⊕ M2 X 4L (4 pcs)

Removal

1. Remove the screw(s) securing the heatsink.

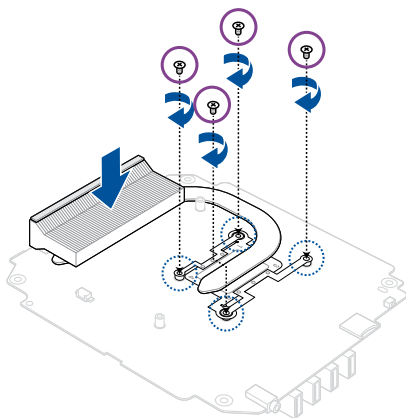


2. Remove the heatsink.



Installation

1. Align and place the heatsink as shown, and secure it using the screw(s) removed earlier.



2. Install the component(s) you removed in **Before you begin**.

Motherboard

Before you begin

Read the **Safety Precautions** and complete the **Pre-repair Checklist**.

NOTE: It is recommended that you replace the motherboard under professional supervision. You may also visit an authorized service center for further assistance.

Screw list

- ⊕ M2 X 4L (4 pcs)

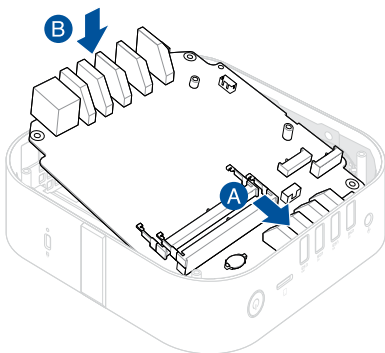
Removal

Remove the following component(s):

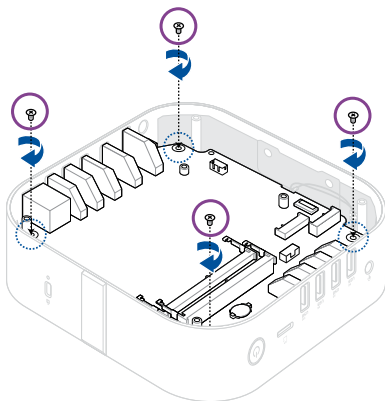
- Bottom cover
- Memory module(s)
- Wireless card (if one is installed)
- M.2 SSD (if one is installed)
- Fan module
- Heatsink

Installation

1. Install the following component(s):
 - Heatsink
 - Fan module
2. Align and place the motherboard in the chassis as shown.



3. Secure the motherboard to the chassis with the screw(s) removed earlier.



4. Install the rest of the component(s) you removed in **Removal**.

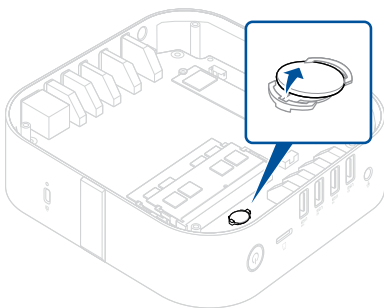
CMOS battery

Before you begin

1. Read the **Safety Precautions** and complete the **Pre-repair Checklist**.
2. Remove the following component(s):
Bottom cover

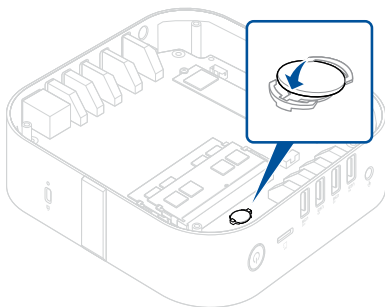
Removal

1. Locate the battery on the motherboard.
2. Gently remove the battery from its slot on the motherboard.



Installation

1. Insert the new battery into its slot on the motherboard with the correct orientation (positive side facing up).



2. Press down on the battery to secure it in place.

Chassis

Before you begin

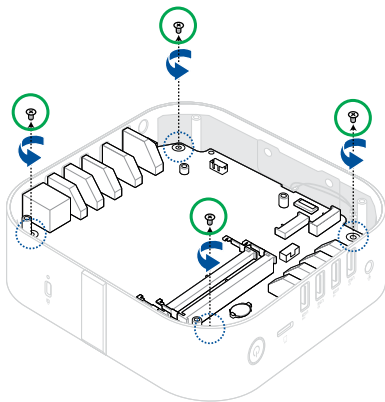
1. Read the **Safety Precautions** and complete the **Pre-repair Checklist**.
2. Remove the following component(s):
 - Bottom cover
 - Wireless card (if one is installed)

Screw list

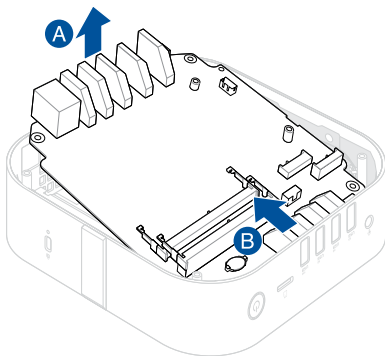
- ⊕ M2.5 X 4L (4 pcs)
- ⊕ M2 X 4L (4 pcs)

Removal

1. Remove the screws securing the motherboard to the chassis.

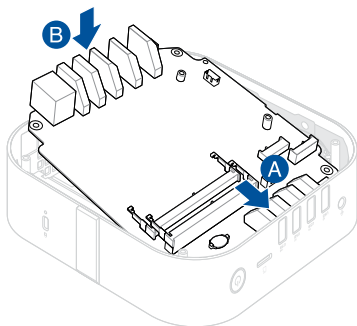


2. Bend the rear part of the chassis slightly outward to facilitate the removal of the motherboard as shown.

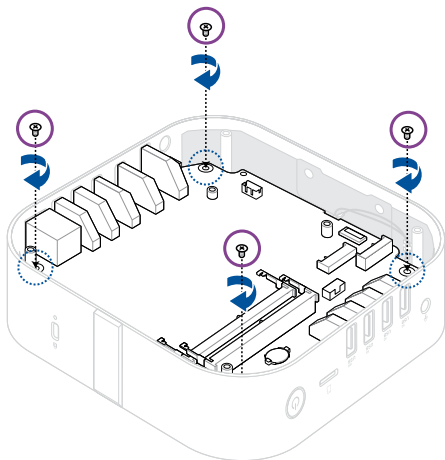


Installation

1. Install the motherboard assembly that was removed earlier into the new chassis as shown.



2. Secure the motherboard to chassis with the screw(s) removed earlier.



3. Install the component(s) you removed in **Before you begin**.

EMI shielding cover

Before you begin

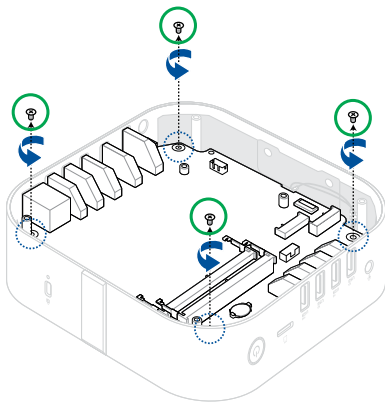
1. Read the **Safety Precautions** and complete the **Pre-repair Checklist**.
2. Remove the following component(s):
 - Bottom cover
 - Wireless card (if one is installed)

Screw list

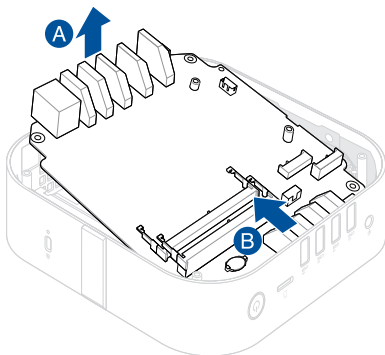
- ⊕ M2.5 X 4L (4 pcs)
- ⊕ M2 X 4L (4 pcs)

Removal

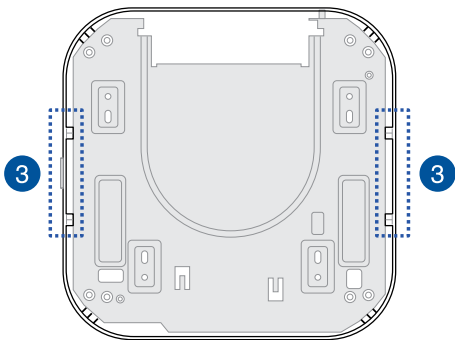
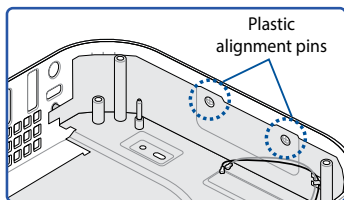
1. Remove the screws securing the motherboard to the chassis.



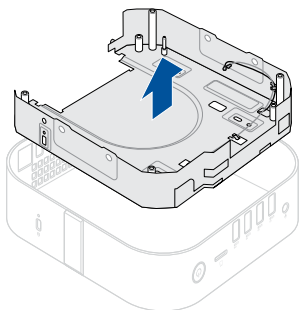
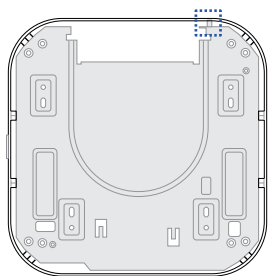
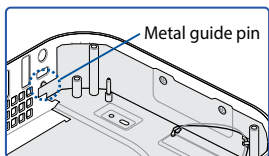
2. Bend the rear side of the chassis slightly outward to facilitate the removal of the motherboard as shown.



3. Bend the two sides of the chassis outward to release the plastic alignment pins.



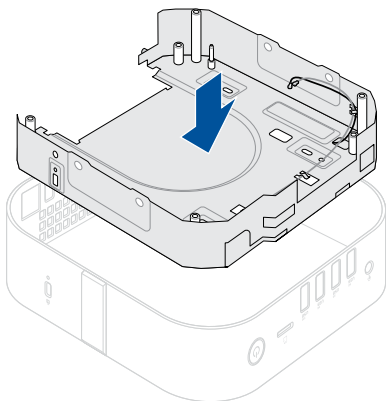
4. Gently pull out the EMI shielding cover, making sure the metal guide pin clears the chassis.



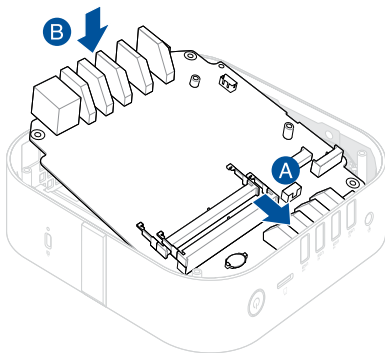
5. Remove the RF cable assemblies from the EMI shielding cover.

Installation

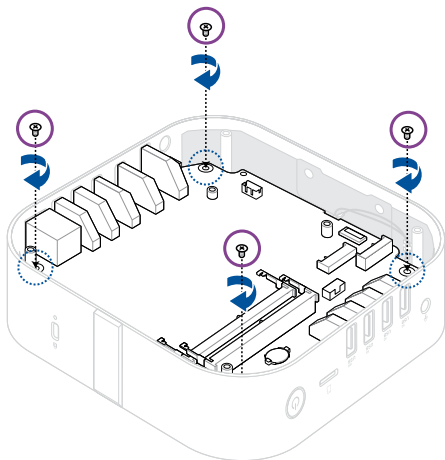
1. Reroute the RF cable assemblies removed earlier onto the new EMI shielding cover.
2. Insert the EMI shielding cover into the chassis as shown.



3. Reinstall the motherboard assembly that was removed earlier into the chassis as shown.



- Secure the motherboard to chassis with the screw(s) removed earlier.



- Install the component(s) you removed in **Before you begin**.

