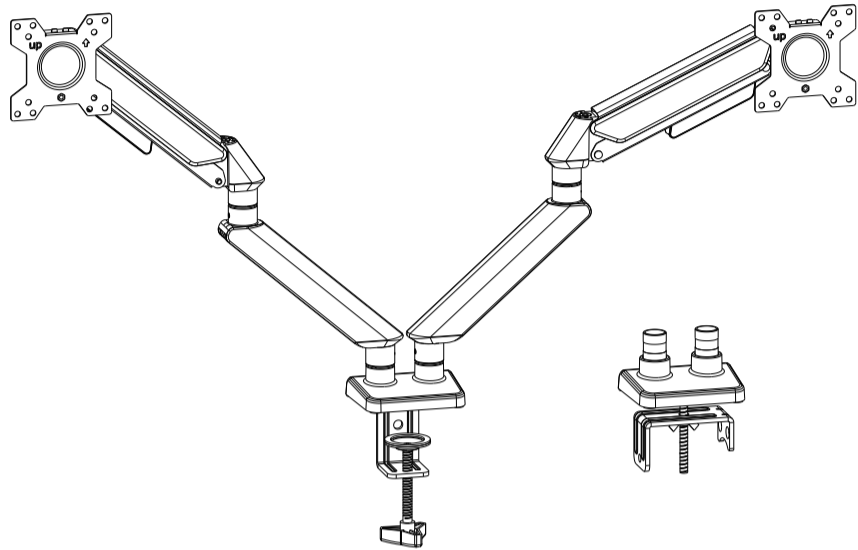




# Dual Monitor Gas Spring Arm Desk Mount - 13" to 32"

## Installation Guide



**TWO YEAR**  
Manufacturer  
Warranty

**CE-MT3Y11-S1**

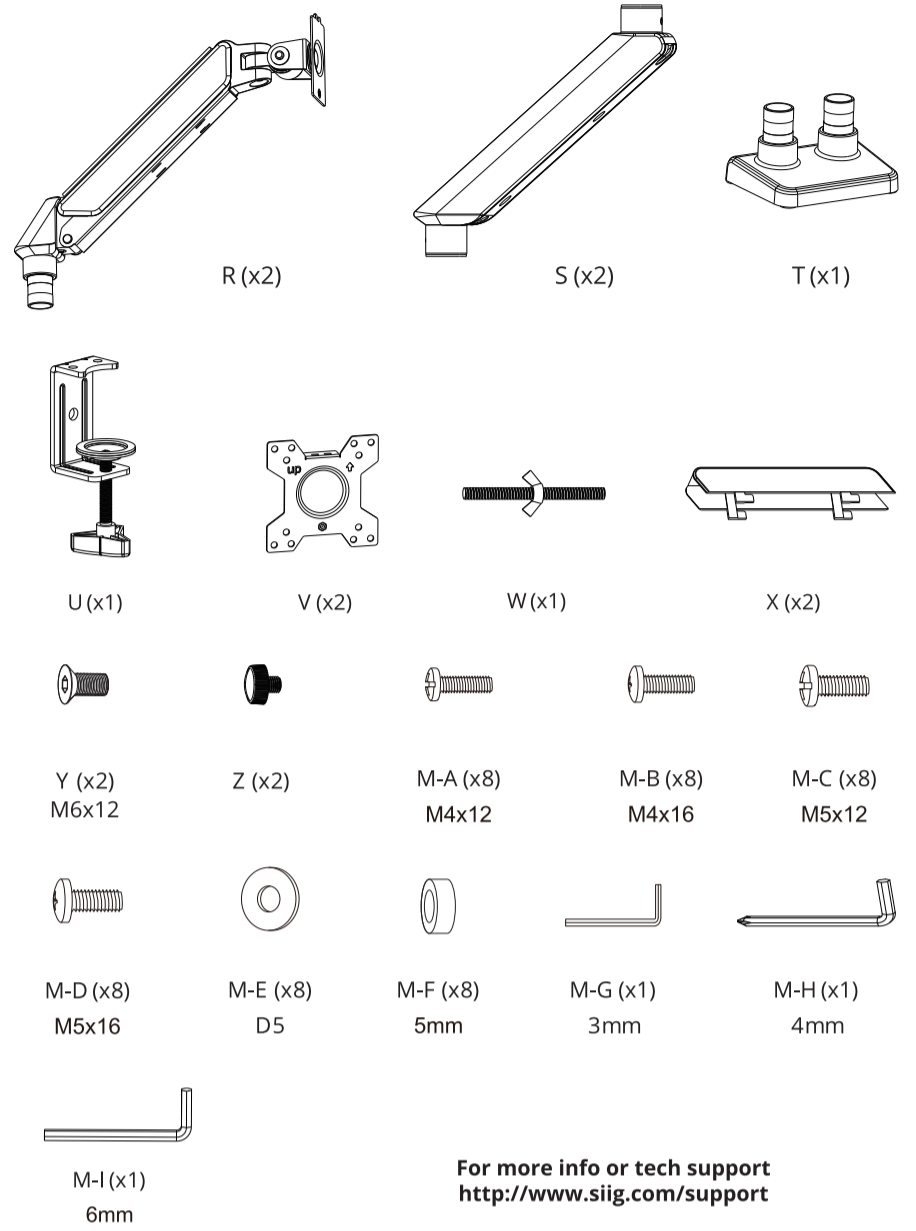
VESA Compatible  
75x75 100x100

32"  
MAX  
FLAT/CURVED

10kgx2  
(22lbx2)  
RATED

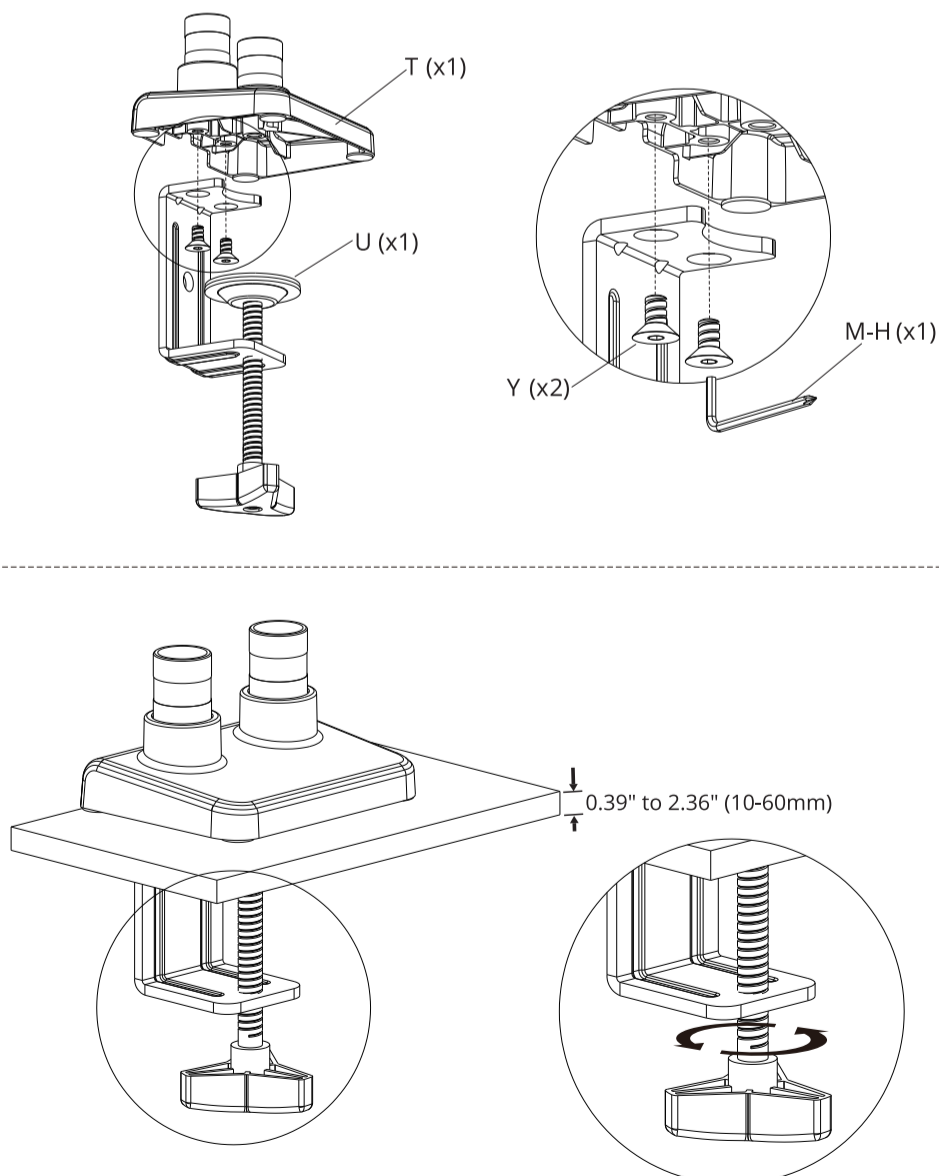
04-1420A

### Parts List

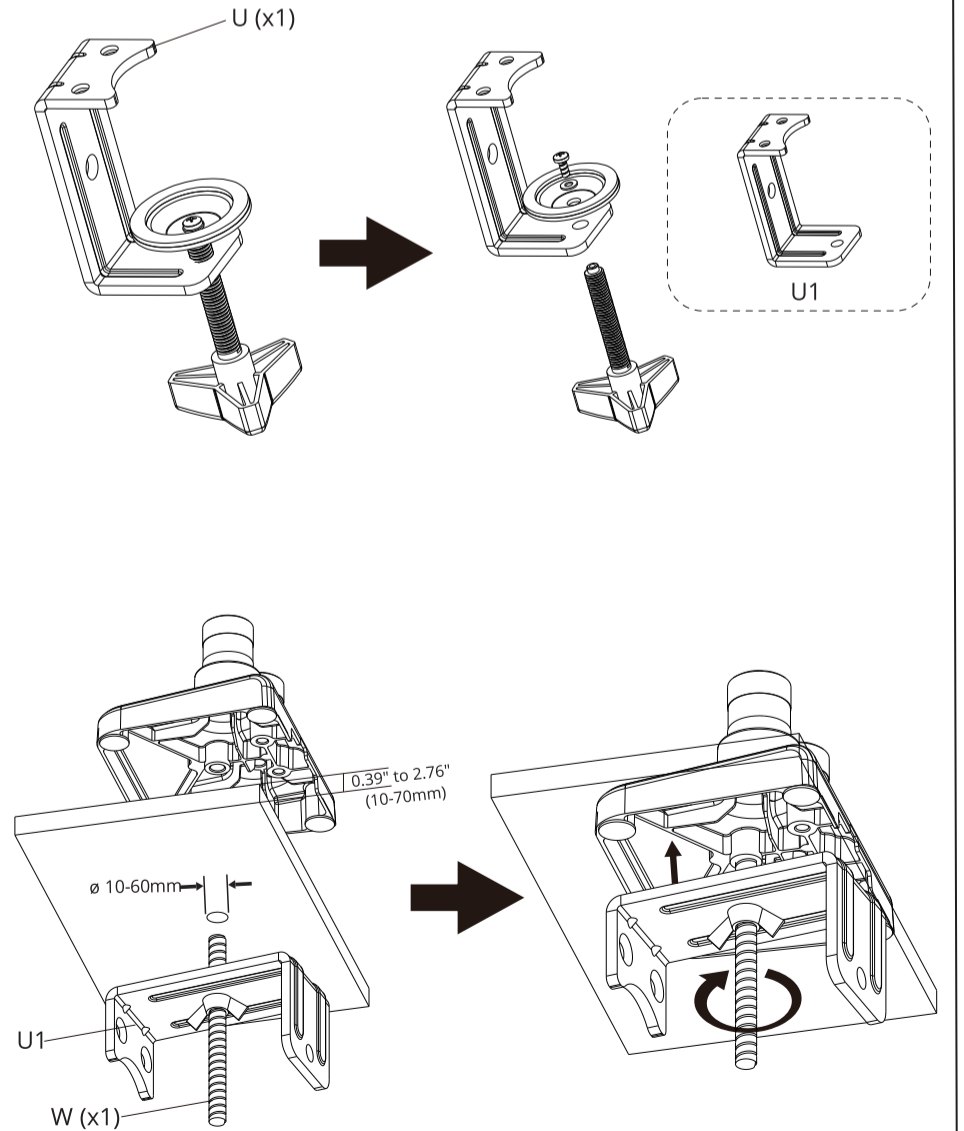


For more info or tech support  
<http://www.siig.com/support>

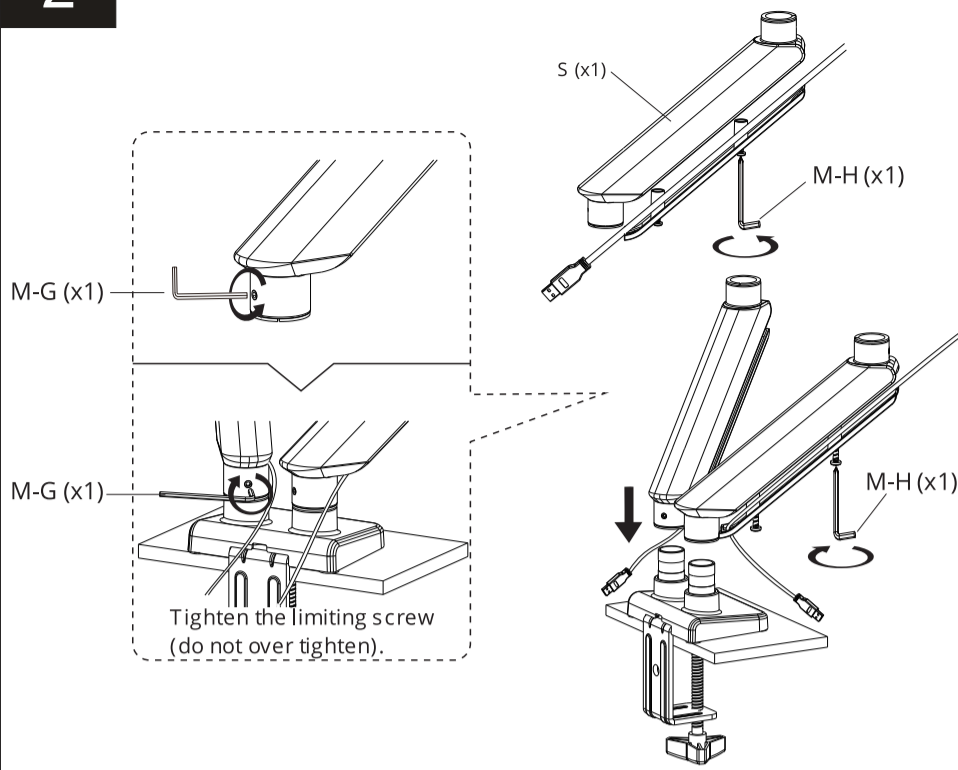
### 1a C-Clamp Mounting Option



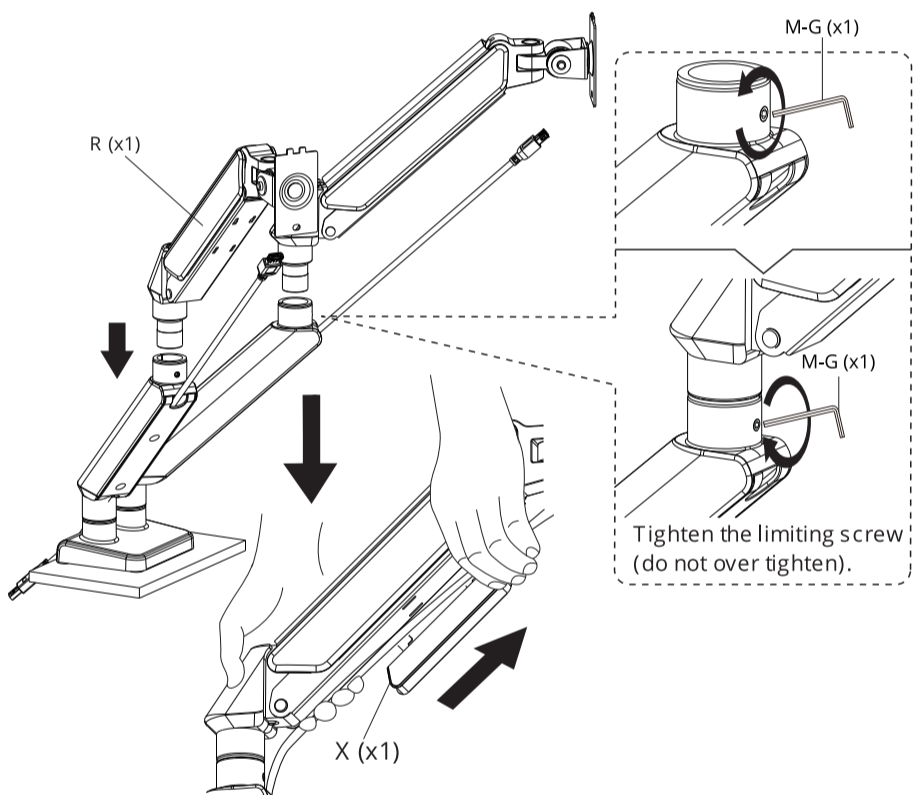
### 1b Grommet Mounting Option



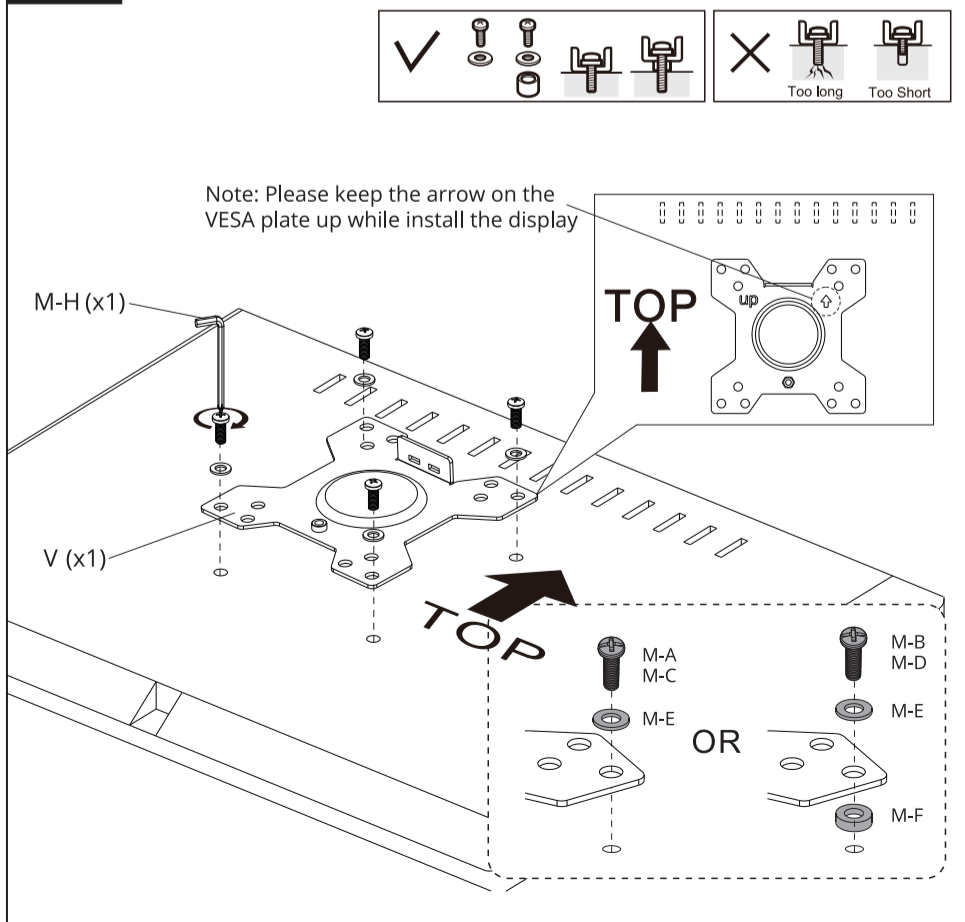
## 2 Base Installation



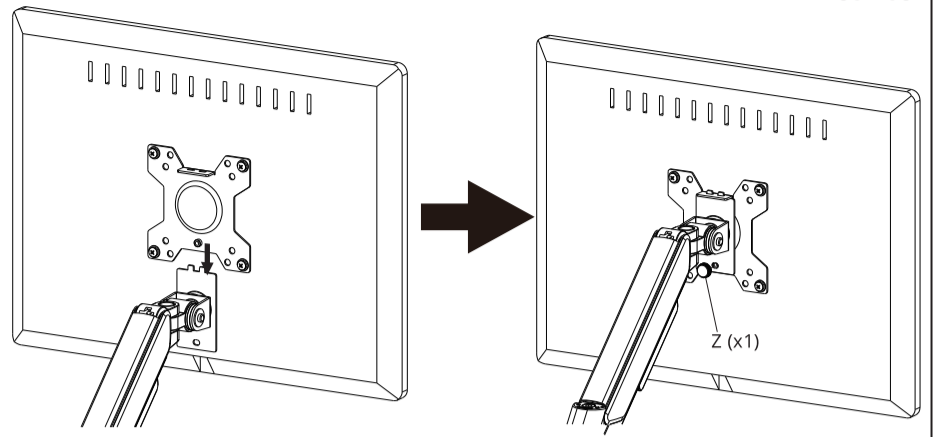
## 3 Arm Installation



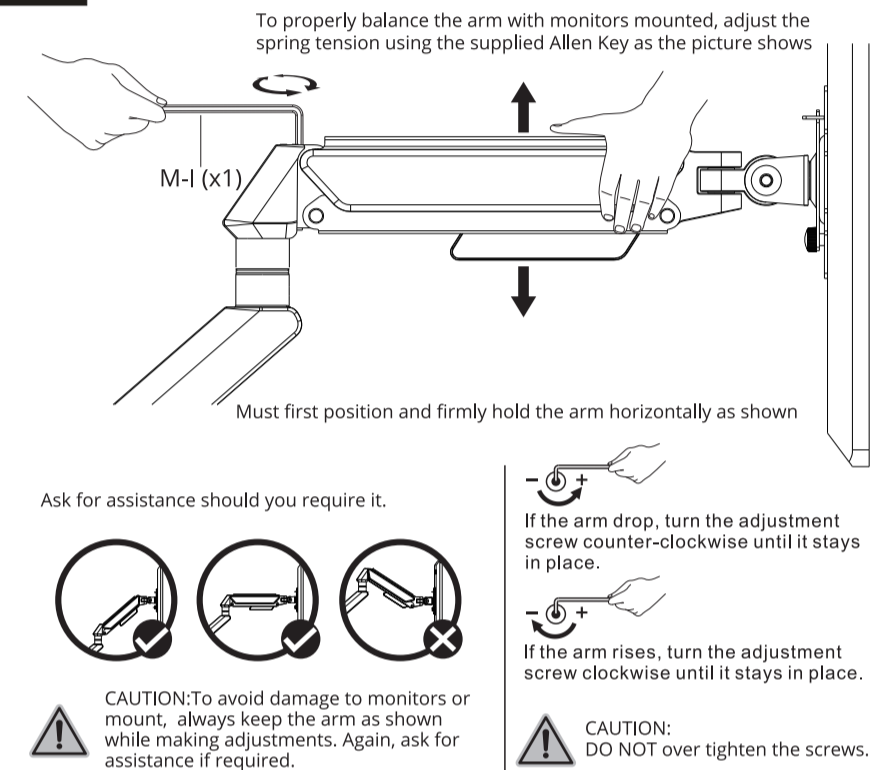
## 4 VESA Plate Installation



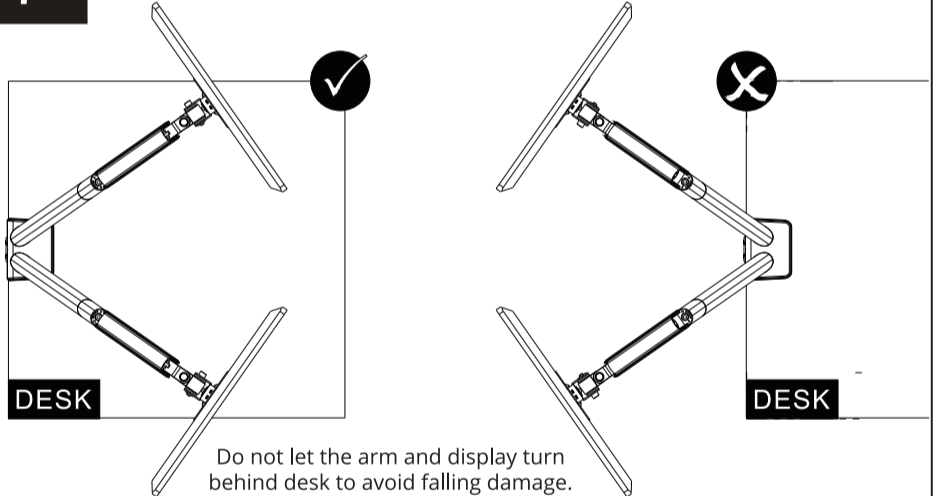
## 5 Display installation



## 6 Tension Adjustment



## 7 Pay attention while clamp install !



## 8 Note: If the display does not stop at your desired position, tighten the screws as shown

