

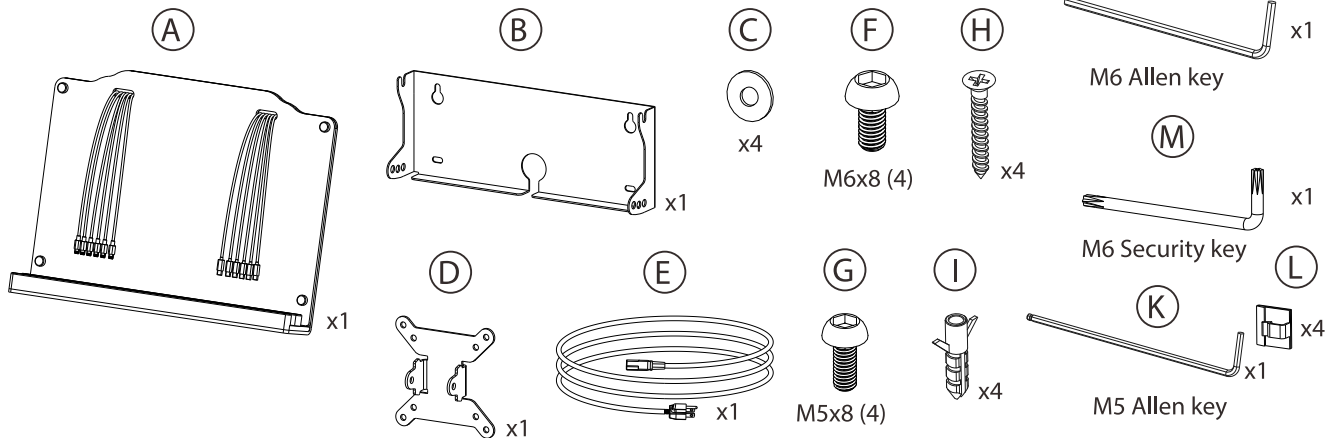


# VESA Compatible Charging Station with 12 Ports

ADD-VCHARGE12

INSTRUCTION - MANUAL

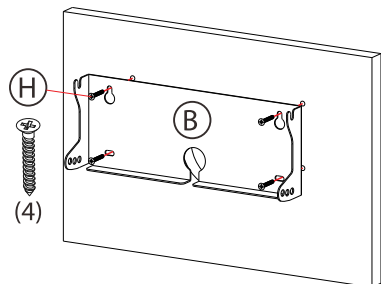
## CONTENTS:



## INSTALLATION:

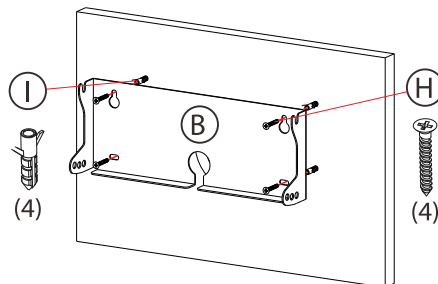
### 1. When Mounting to the Wall

DIRECT MOUNTING INTO WALL

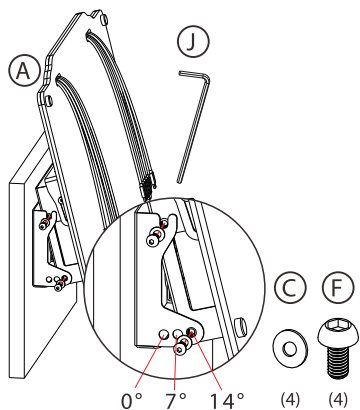


1A. When mounting directly into the wall first align bracket to the wall. Use 4 screws (H) and rotate in with screwdriver (not included) at the 4 corner openings until securely fastened.

MOUNTING INTO WALL USING ANCHORS



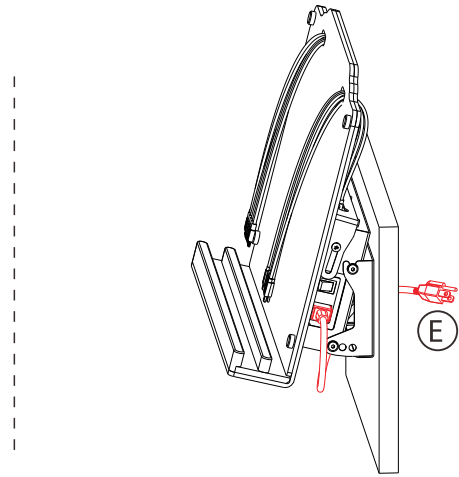
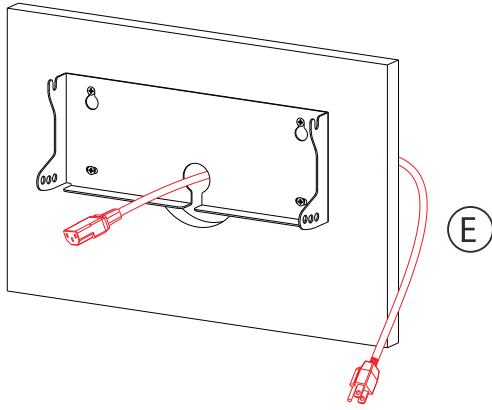
1B. When mounting using anchors, first predrill the wall at the mounting locations. Insert the anchors. Align the wall brackets and rotate in 4 screws (H) using a screwdriver (not included until securely fastened).



### FINALIZING THE WALL MOUNT

1C. Take the front end of the charging station (A) and align the holes on each side as illustrated. The holes on the bottom end have (3) hole options to set the tilt anywhere from 0-14 degrees. Once you have your decided upon angle, using screw (F) and washer (C) and rotate in using provided tool (J) until securely fastened. Repeat on the other side as well.

## CABLE ROUTING FOR THE WALL INSTALLATION

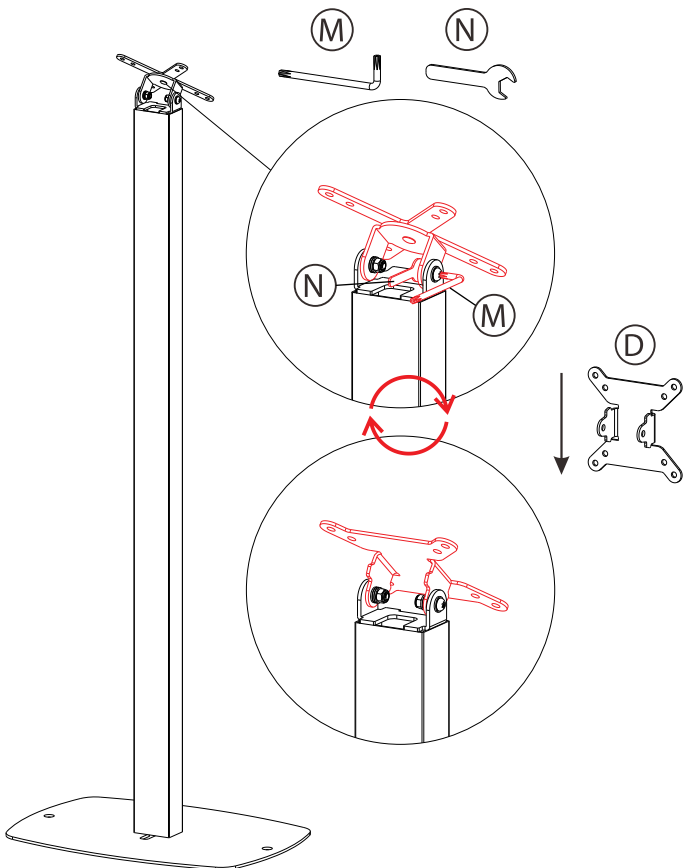


1D. When cable routing in the wall mount installation, take the power cord provided (E) and route one end through the rear bracket area into the charging station device as illustrated. Take the other end and either route it through the opening on the wall or down the wall into the outlet depending on what kind of setup you have.

## 2. When Mounting to CTA Floor Stand ADD-CHK Family Series

**\*\*FLOOR STAND NOT INCLUDED AND ONLY FOR ILLUSTRATION PURPOSES**

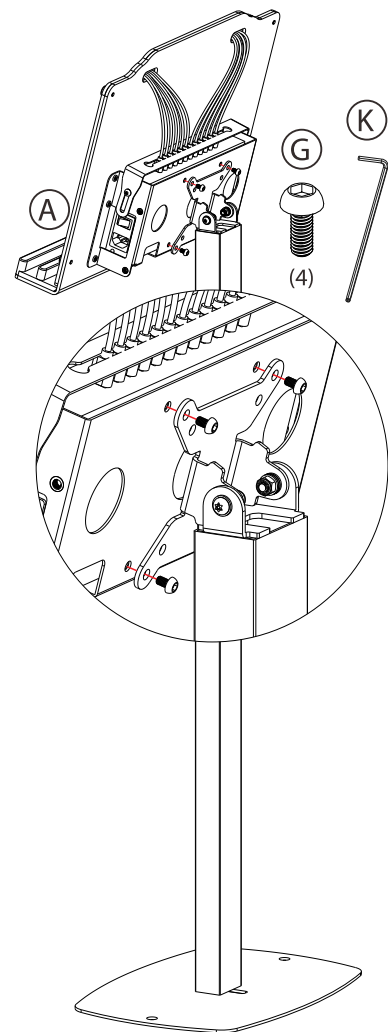
### SWITCHING OUT THE VESA BRACKET



2A. Using the allen key tool and wrench tool (M & N), remove the existing screws on the X VESA. Then put on the new vesa bracket (D) and reapply screws and washers. The new bracket will be compatible with the VESA charging station.

## ATTACHING THE CHARGING STATION

**\*\*FLOOR STAND NOT INCLUDED AND ONLY FOR ILLUSTRATION PURPOSES**



2B. Repeat Step 1C to initially setup the back bracket with the charging station. Then align the VESA holes of the back bracket with the VESA bracket. Using provided tool (K), rotate in 4 screws (G) until securely fastened.

## CABLE ROUTING IN FLOORSTAND SETUP WITH ADD-CHK FAMILY

**\*\*FLOOR STAND NOT INCLUDED AND ONLY FOR ILLUSTRATION PURPOSES**

2C. Find the cable routing clip and remove the adhesive backing. Place on the floor stand back side as illustrated with the graphic on the right. Repeat the process for the next (3) clips and move down the floorstand as shown.

Then, take the cable attached to the charging station and fish it down the backside and inserting into all the different clips as you move down the floor stand.

