

Assembly Guide

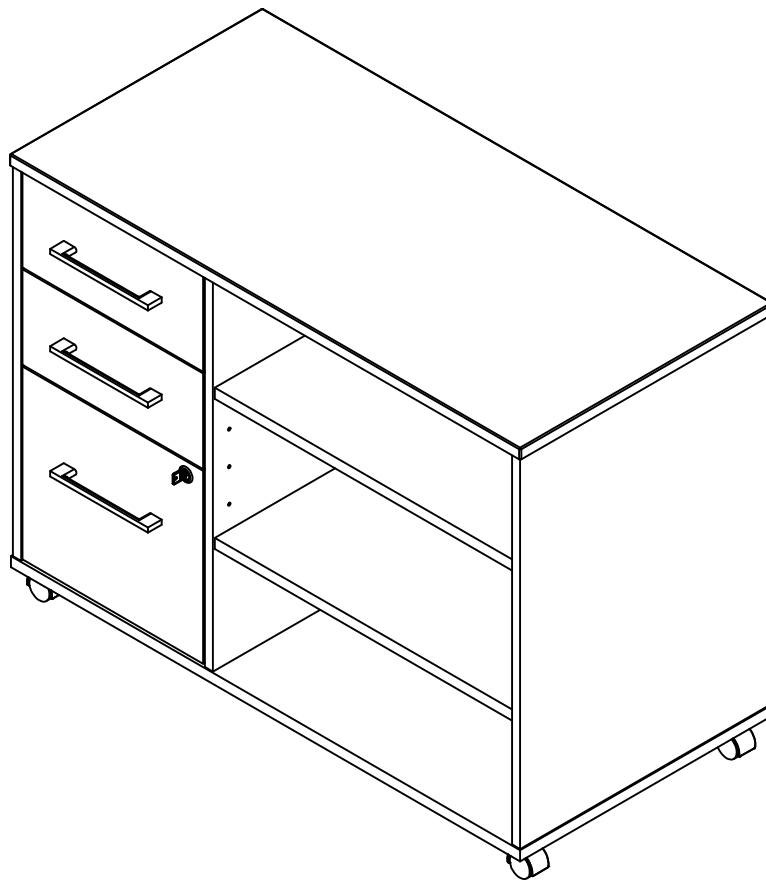


If you're having any difficulty during assembly of this product, don't hesitate to call us at **1-800-950-4782.**

Our customer service experts are trained to provide step-by-step instruction and can easily replace any missing or damaged parts.

Representatives are available Monday-Friday from 8:30 a.m. to 7:30 p.m. (ET)

40W Mobile Storage Cabinet



Lot Code #

Instruction Sheet Number A216547

Keep manual for future reference.

For best results, keep these tips in mind:

- ① We know you want to finish this assembly as quickly as possible, but trust us: you'll have a better experience if you take it one step at a time.
- ② Give yourself some room to work near where you want the fully assembled product.
- ③ If your floor isn't carpeted, assemble this product on the empty carton to avoid scratching.
- ④ Do you have a friend who owes you a favor? Some steps may go a little easier with a second set of hands.

DOs

- ✔ Use a #2 Phillips head screwdriver (or other handheld tools as indicated)
- ✔ Wear safety glasses at all times during assembly
- ✔ Carefully follow the instructions in this guide and complete all steps in order
- ✔ Give us a call if you're having trouble with a particularly tricky step

DON'Ts

- ✘ We know power tools are quick and easy, but you shouldn't use them when assembling this product (unless otherwise specified)
- ✘ Never move your furniture with items inside or resting on the surface
- ✘ Do not attempt to use this product before all steps have been completed

Watch assembly videos right on your phone or computer!



Some steps include QR codes that link to helpful videos. Watch out for the icon below! Simply open up your smartphone camera to scan the code.

(Users of older smartphones may need to install a QR Reader.)

SCAN HERE



FOR VIDEOS

Or visit <https://bushfurniture.com/help-faq/#assembling>



IMPORTANT SAFETY INFORMATION



PLEASE READ WARNINGS

Improper use can cause safety hazards, or damage to your furniture and household items.

Warning	Do	Don't	Why it's important
Serious injury may occur.	<ul style="list-style-type: none">Assemble following all instructions using all indicated parts and hardware provided.Verify furniture is stable on it's own. Place heaviest items in the lower drawers.Always load the bottom drawer first. Check before using that only one drawer opens at a time.Evenly distribute files front to back. If so equipped, extend front levelers 1/4" more than rear levelers so unit tilts slightly rearward."	<ul style="list-style-type: none">Do not load with a television or other heavy equipment.Do not exceed the maximum load limits stated in the instructions.Do not allow children to stand, climb, or hang on furniture."	<ul style="list-style-type: none">Improper assembly, use or loading can lead to product instability, tip-over or collapse.
Serious injury may occur.	<ul style="list-style-type: none">Properly install and maintain the anti-tip mechanism.		<ul style="list-style-type: none">The anti-tip mechanism prevents more than one drawer from being opened at once which may lead to instability or product tip-over.

Caution	Do	Don't	Why it's important
Injury may occur.	<ul style="list-style-type: none">Unload unit prior to moving starting with top drawer first.	<ul style="list-style-type: none">Do not move unit when loaded.	<ul style="list-style-type: none">Loaded units are heavy and are not designed to be moved when loaded.

IMPORTANT SAFETY INFORMATION



PLEASE READ WARNINGS

Improper use can cause safety hazards, or damage to your furniture and household items.

Advertencia	Hacer	No	Por qué es importante
Se pueden producir lesiones graves.	<ul style="list-style-type: none">• Ensamble siguiendo todas las instrucciones utilizando todas las piezas y ferretería indicados provistos.• Verifique que los muebles sean estables por sí mismos.• Coloque los artículos más pesados en los cajones inferiores.• Siempre cargue primero el cajón inferior.• Compruebe antes de usar que solo se abre un cajón a la vez.• Distribuya uniformemente los archivos de adelante hacia atrás. Si está equipado, extienda los niveladores delanteros 1/4 " "más que los niveladores traseros para que la unidad se incline ligeramente hacia atrás."	<ul style="list-style-type: none">• No cargue con un televisor u otro equipo pesado. No exceda los límites máximos de carga establecidos en las instrucciones.• No permita que los niños se paren, trepen o cuelguen de muebles.	<ul style="list-style-type: none">• El ensamblaje, uso o carga inadecuados pueden provocar inestabilidad del producto, vuelco o colapso.
Se pueden producir lesiones graves.	<ul style="list-style-type: none">• Instale y mantenga adecuadamente el mecanismo antivuelco.		<ul style="list-style-type: none">• El mecanismo antivuelco evita que se abra más de un cajón a la vez, lo que puede provocar inestabilidad o vuelco del producto.

Atención	Hacer	No	Por qué es importante
Se pueden producir lesiones.	<ul style="list-style-type: none">• Descargue la unidad antes de moverla, comenzando primero con el cajón superior.	<ul style="list-style-type: none">• No mueva la unidad cuando esté cargada.	<ul style="list-style-type: none">• Las unidades cargadas son pesadas y no están diseñadas para moverse cuando están cargadas.

IMPORTANT SAFETY INFORMATION

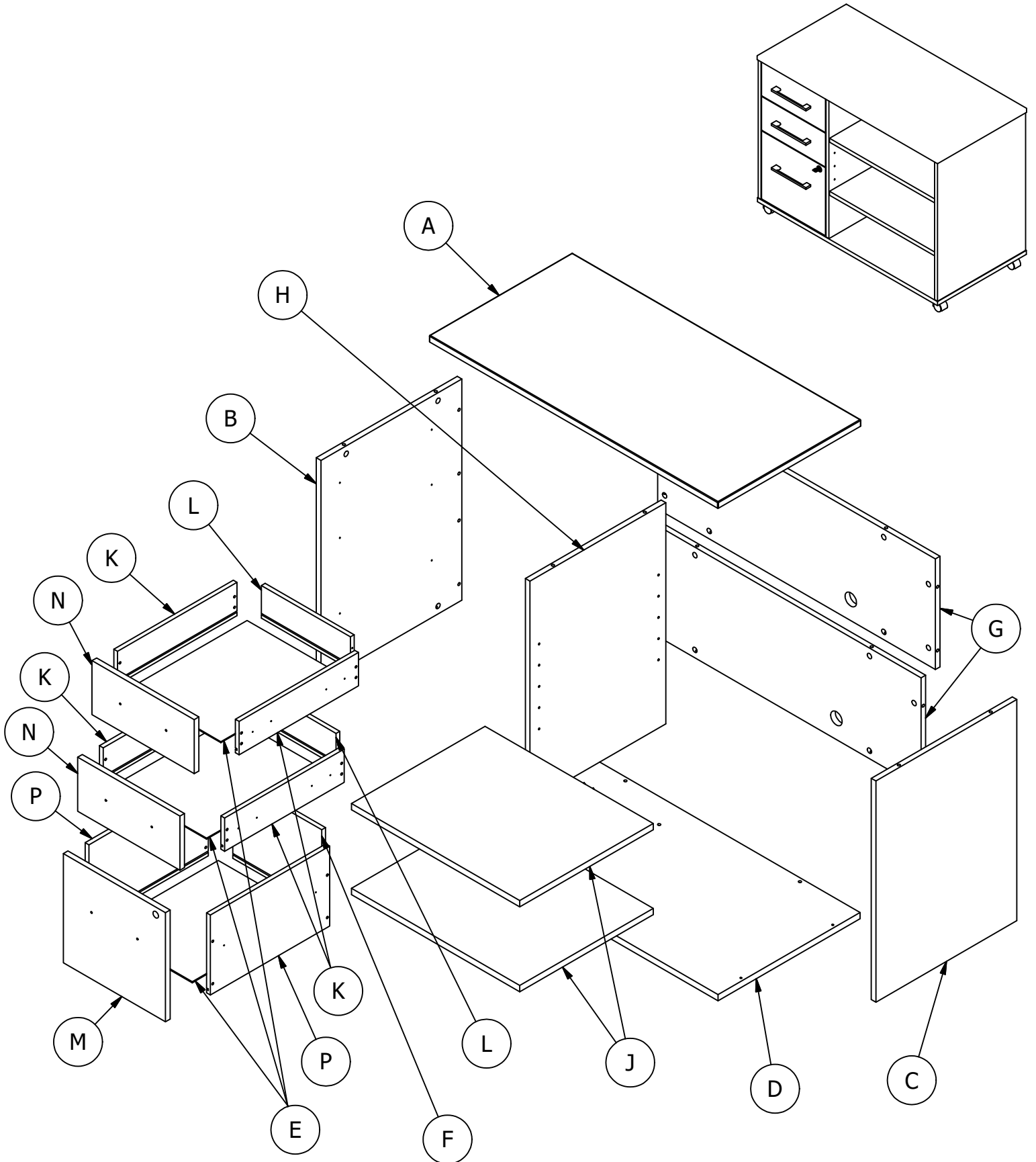


PLEASE READ WARNINGS

Improper use can cause safety hazards, or damage to your furniture and household items.

Avertissement	Faire	Ne le fais pas	Pourquoi c'est important
Des blessures graves peuvent survenir.	<ul style="list-style-type: none">Assemblez en suivant toutes les instructions en utilisant toutes les pièces et le matériel indiqués fournis.Vérifiez que les meubles sont stables par eux-mêmes.Placez les objets les plus lourds dans les tiroirs inférieurs.Chargez toujours le tiroir inférieur en premier.Vérifiez avant d'utiliser qu'un seul tiroir s'ouvre à la fois.Répartissez uniformément les fichiers d'avant en arrière.Si tel est le cas, déployez les niveleurs avant de 1/4 po de plus que les niveleurs arrière afin que l'appareil s'incline légèrement vers l'arrière.	<ul style="list-style-type: none">Ne chargez pas avec un téléviseur ou un autre équipement lourd. Ne dépassez pas les limites de charge maximale indiquées dans les instructions.Ne laissez pas les enfants se tenir debout, grimper ou s'accrocher aux meubles.	<ul style="list-style-type: none">Un assemblage, une utilisation ou un chargement incorrects peuvent entraîner une instabilité du produit, un renversement ou un effondrement.
Des blessures graves peuvent survenir.	<ul style="list-style-type: none">Installez et entretenez correctement le mécanisme anti-basculement.		<ul style="list-style-type: none">Le mécanisme anti-basculement empêche l'ouverture simultanée de plusieurs tiroirs, ce qui peut entraîner une instabilité ou un renversement du produit.

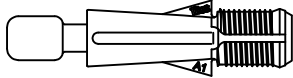
Attention	Faire	Ne le fais pas	Pourquoi c'est important
Des blessures graves peuvent survenir.	<ul style="list-style-type: none">Déchargez l'unité avant de déplacer en commençant par le tiroir supérieur en premier.	<ul style="list-style-type: none">Ne déplacez pas l'unité lorsqu'elle est chargée.	<ul style="list-style-type: none">Les unités chargées sont lourdes et ne sont pas conçues pour être déplacées lorsqu'elles sont chargées.



Have an assembly question or need a replacement part? Just call
1-800-950-4782, we are here to help.

Fasteners are shown actual size.

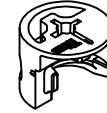
H171556



Quickfit TL4

[16]

H181468US



KD Cam3000

[28]

H72988



KD Bolt

[8]

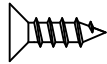
H79096



KD Bolt Double Head

[2]

H128624



(Black)

#8 x .5"

[12]

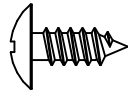
H150333



#8 x 1-1/2"

[12]

H35251

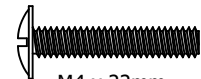


(Black)

#10 x 1/2"

[24]

H83027

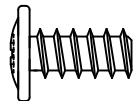


(Silver)

M4 x 22mm

[6]

H146988



Euro 13/14mm

[8]

H192100

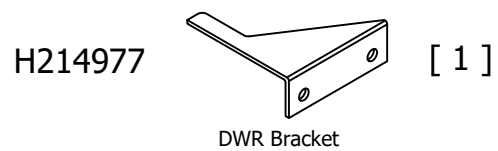
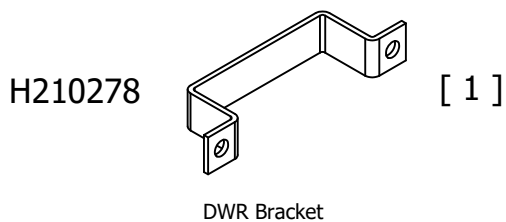
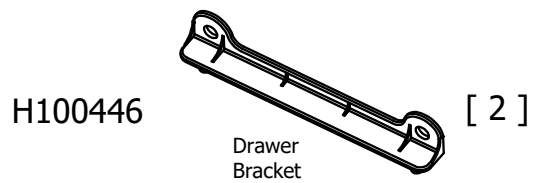
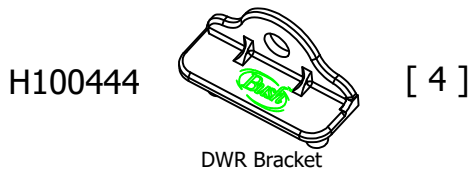
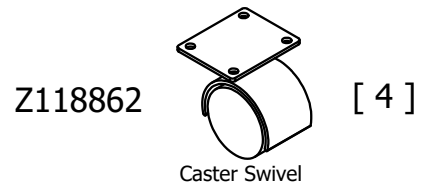
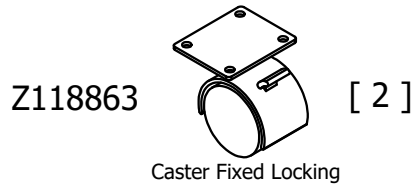
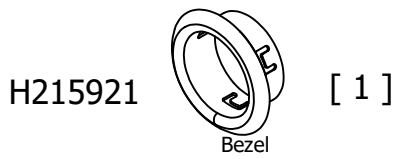
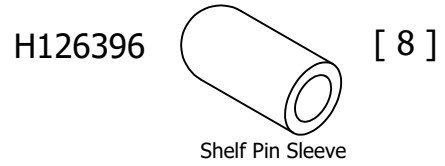
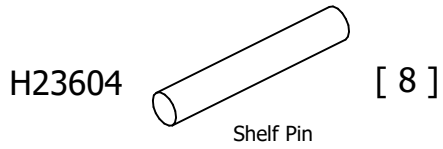


#8 x 1/2"

[29]

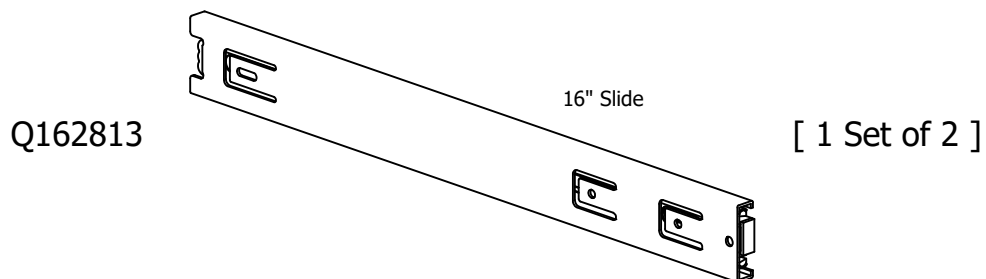
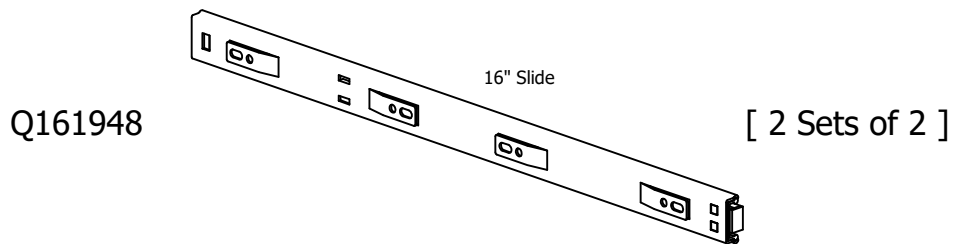
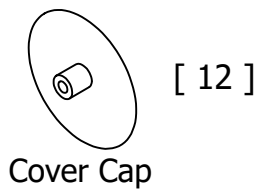
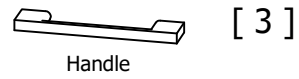
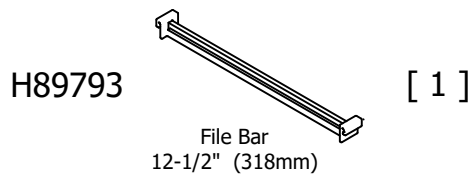
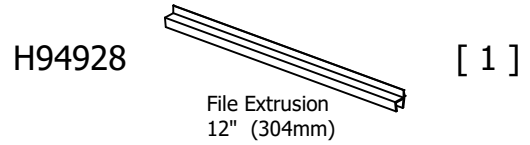
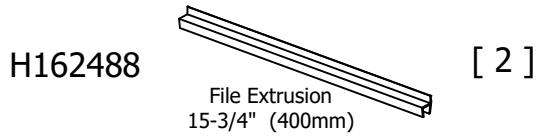
Have an assembly question or need a replacement part? Just call
1-800-950-4782, we are here to help.

Hardware not to scale.



Have an assembly question or need a replacement part? Just call **1-800-950-4782**, we are here to help.

Hardware not to scale.



Have an assembly question or need a replacement part? Just call
1-800-950-4782, we are here to help.

STEP 1

Prepare Panels

A216547

H146988
Euro 13/14mm

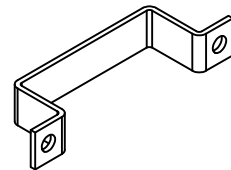
[4]

H100444



[4]

H210278

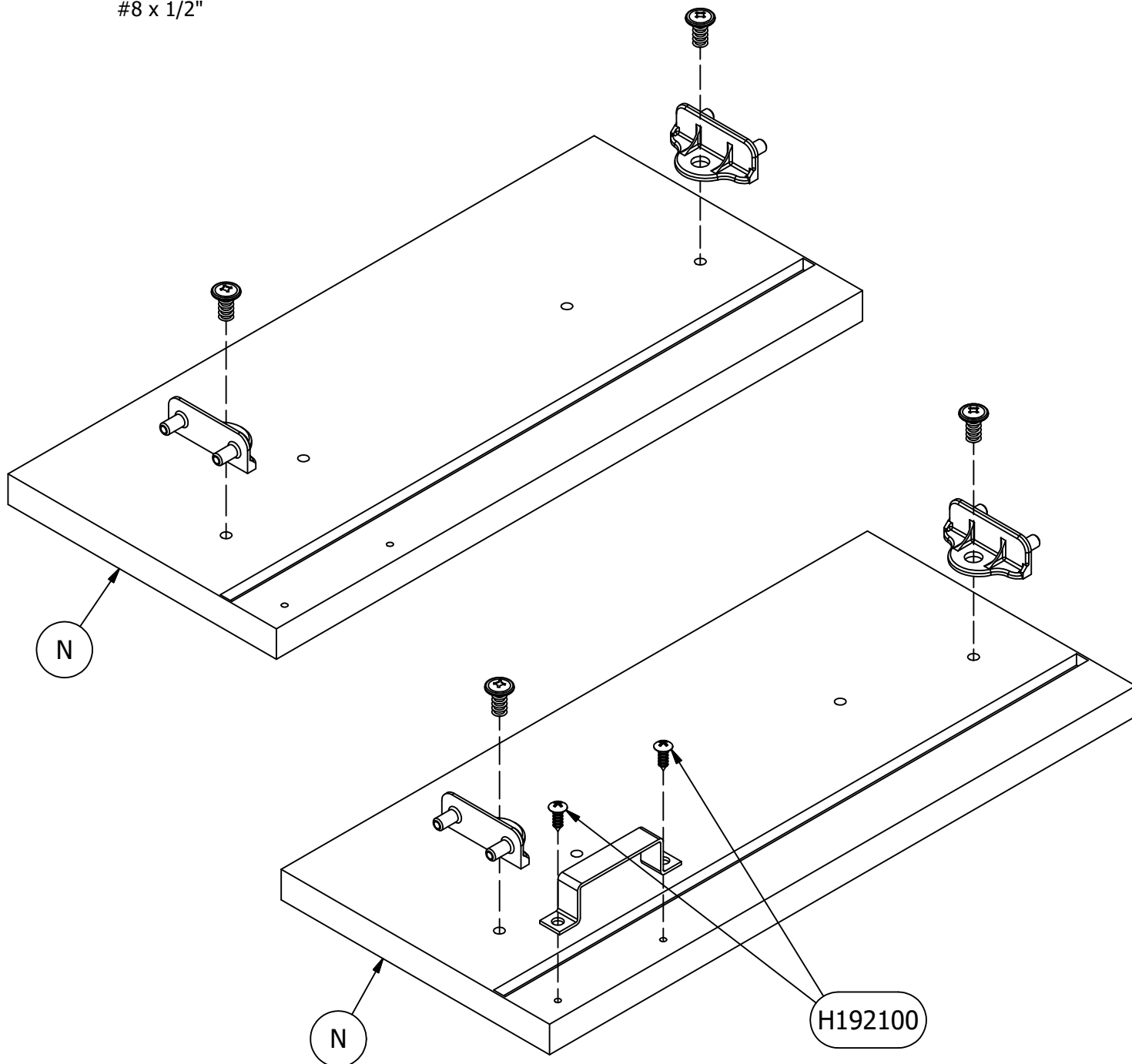


[1]

DWR Bracket

H192100
#8 x 1/2"

[2]

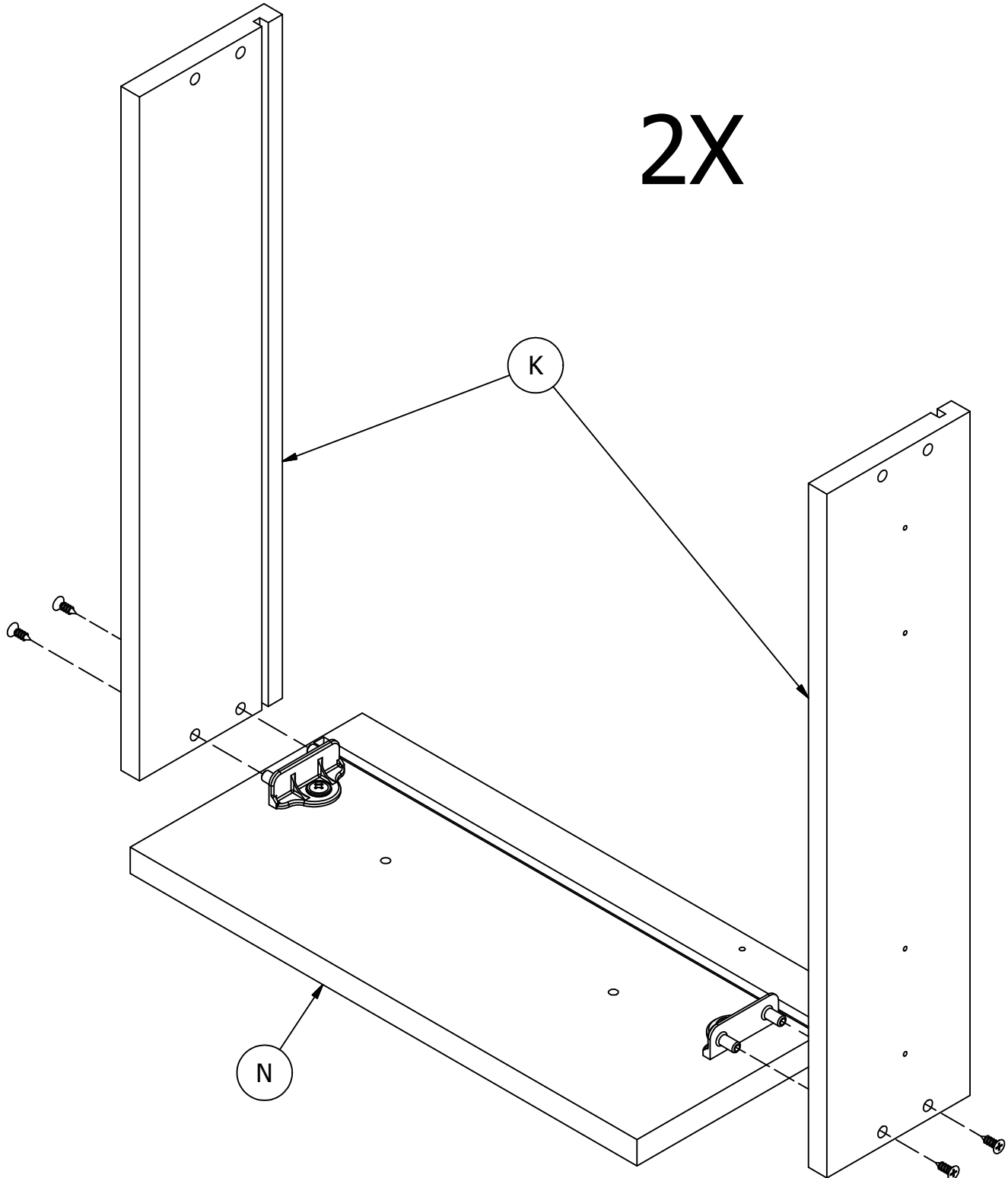


Have an assembly question or need a replacement part? Just call
1-800-950-4782, we are here to help.

H128624 [8]
(Black) #8 x .5"

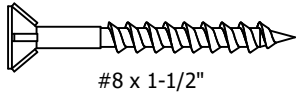


2X



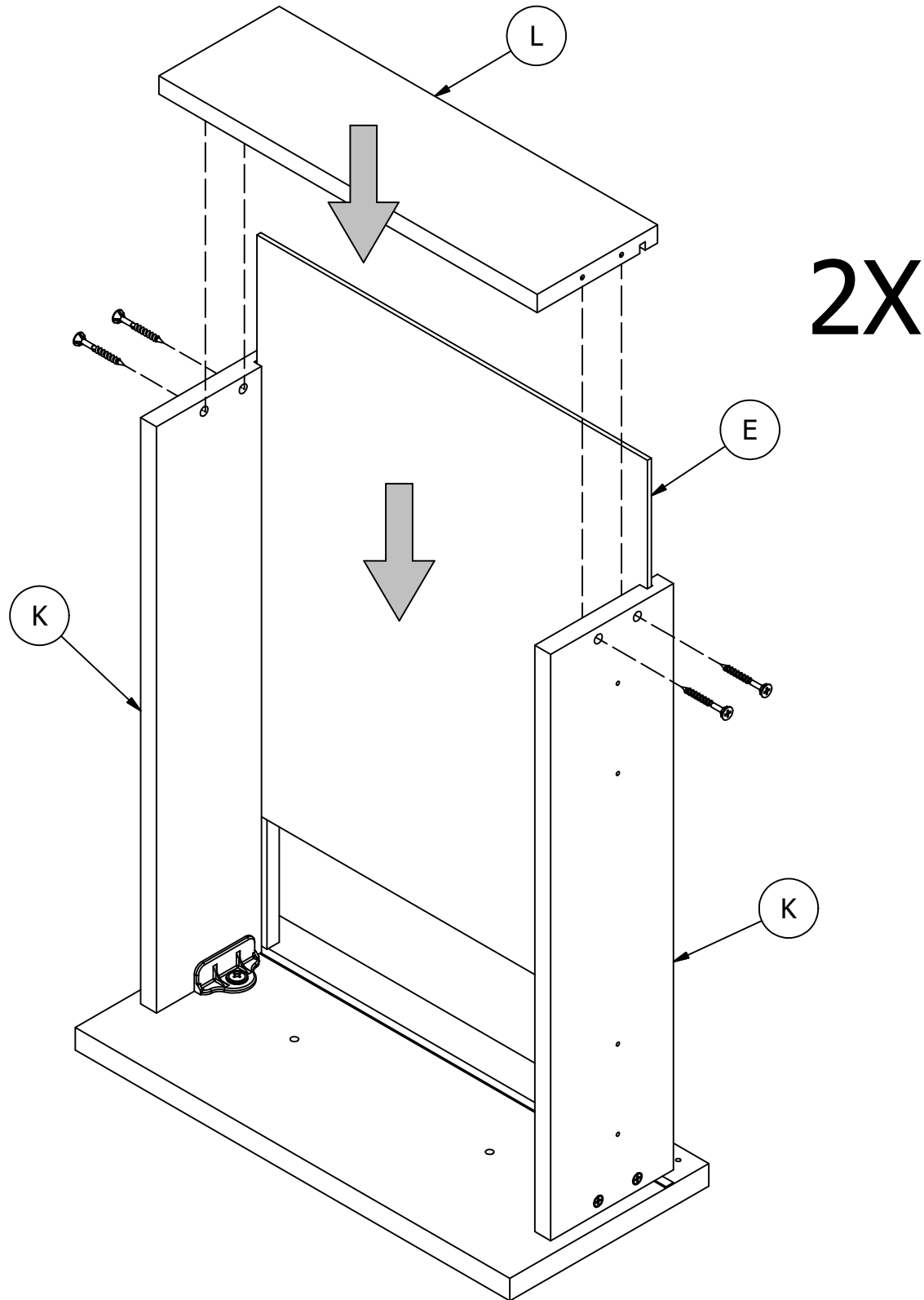
Have an assembly question or need a replacement part? Just call
1-800-950-4782, we are here to help.

H150333



[8]

#8 x 1-1/2"



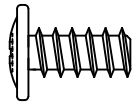
Have an assembly question or need a replacement part? Just call
1-800-950-4782, we are here to help.

STEP 4

Prepare Panel

A216547

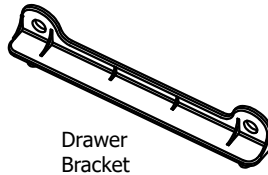
H146988



[4]

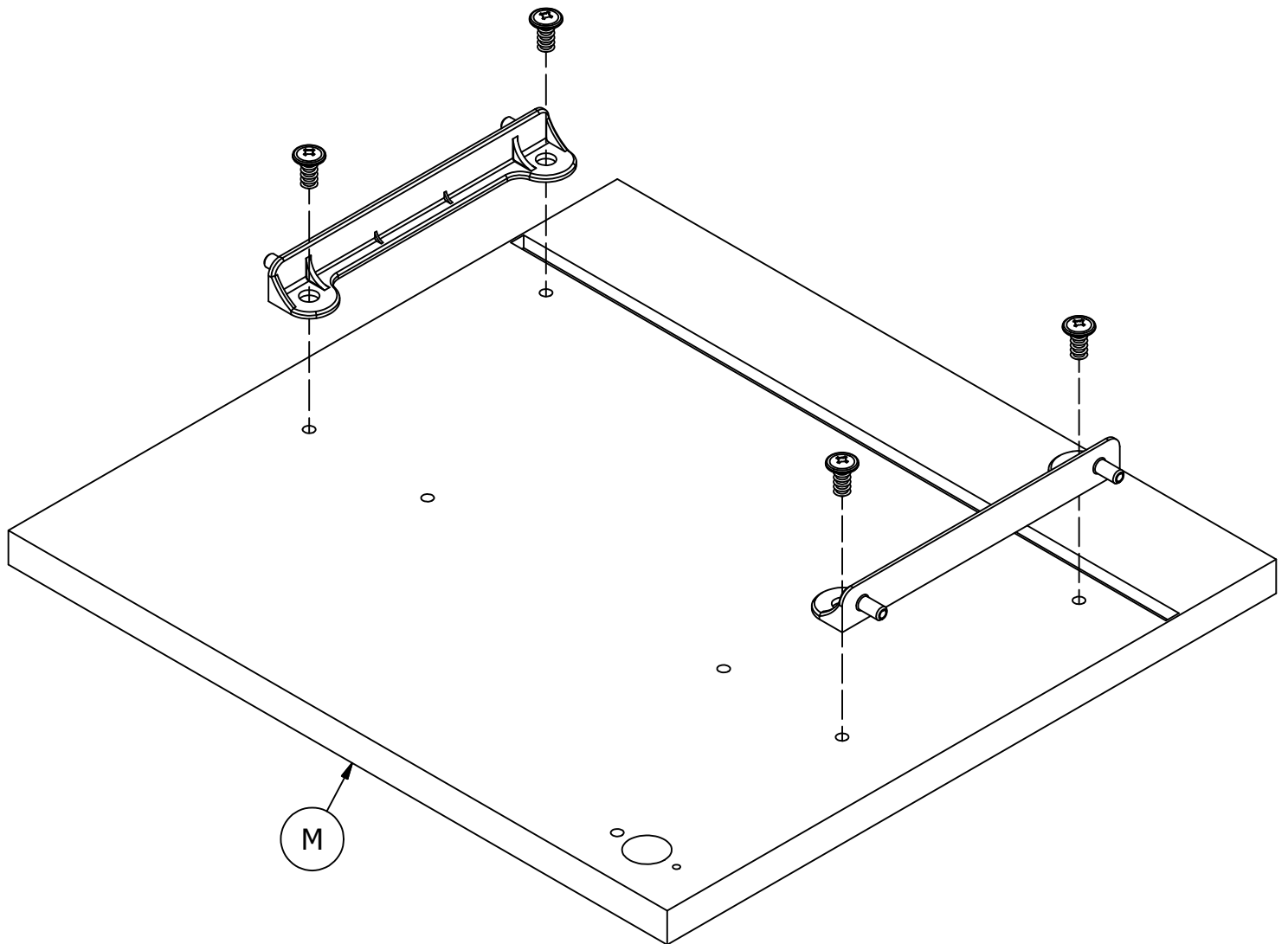
Euro 13/14mm

H100446



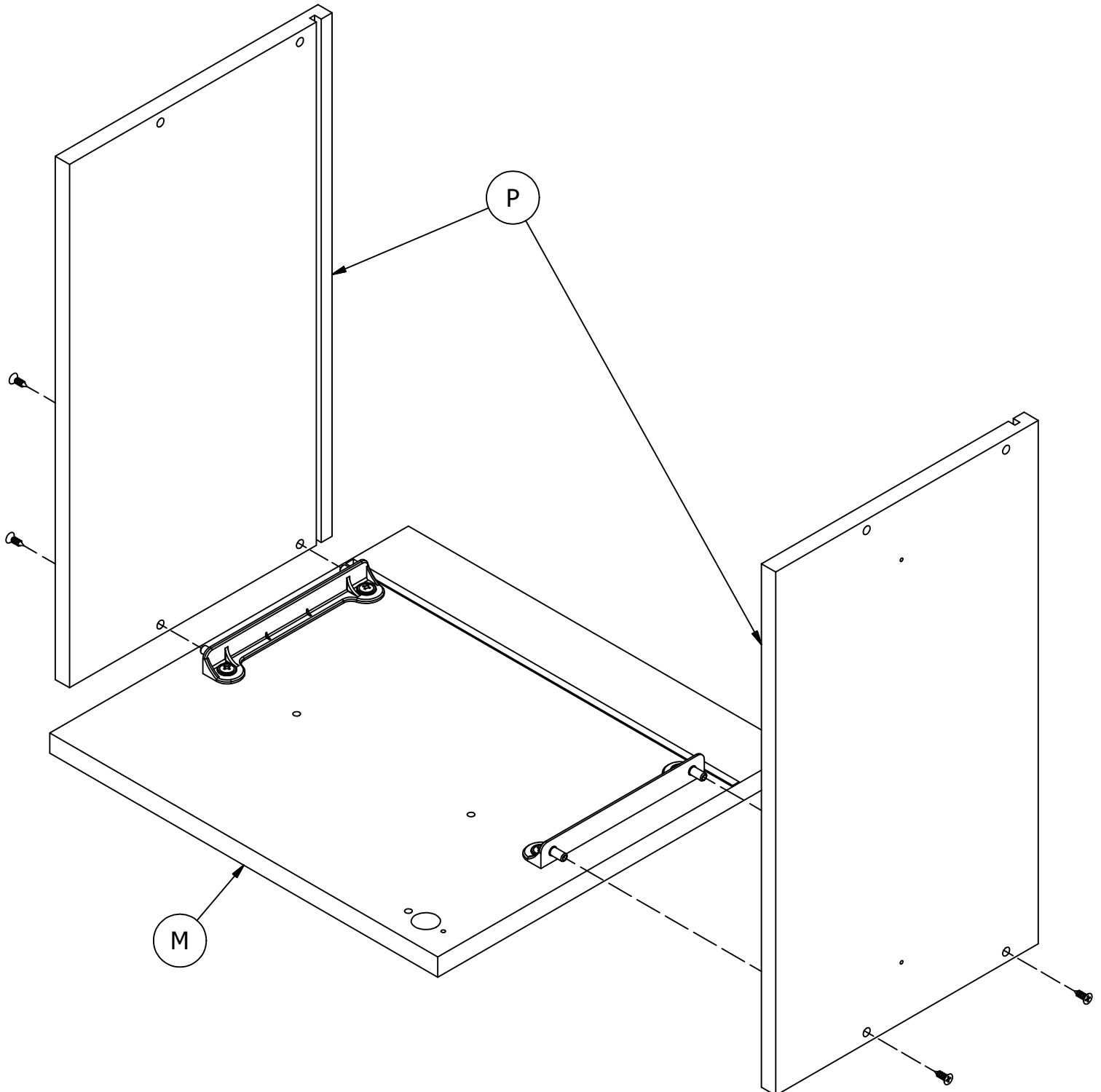
[2]

Drawer
Bracket



Have an assembly question or need a replacement part? Just call
1-800-950-4782, we are here to help.

H128624 [4]
(Black) #8 x .5"



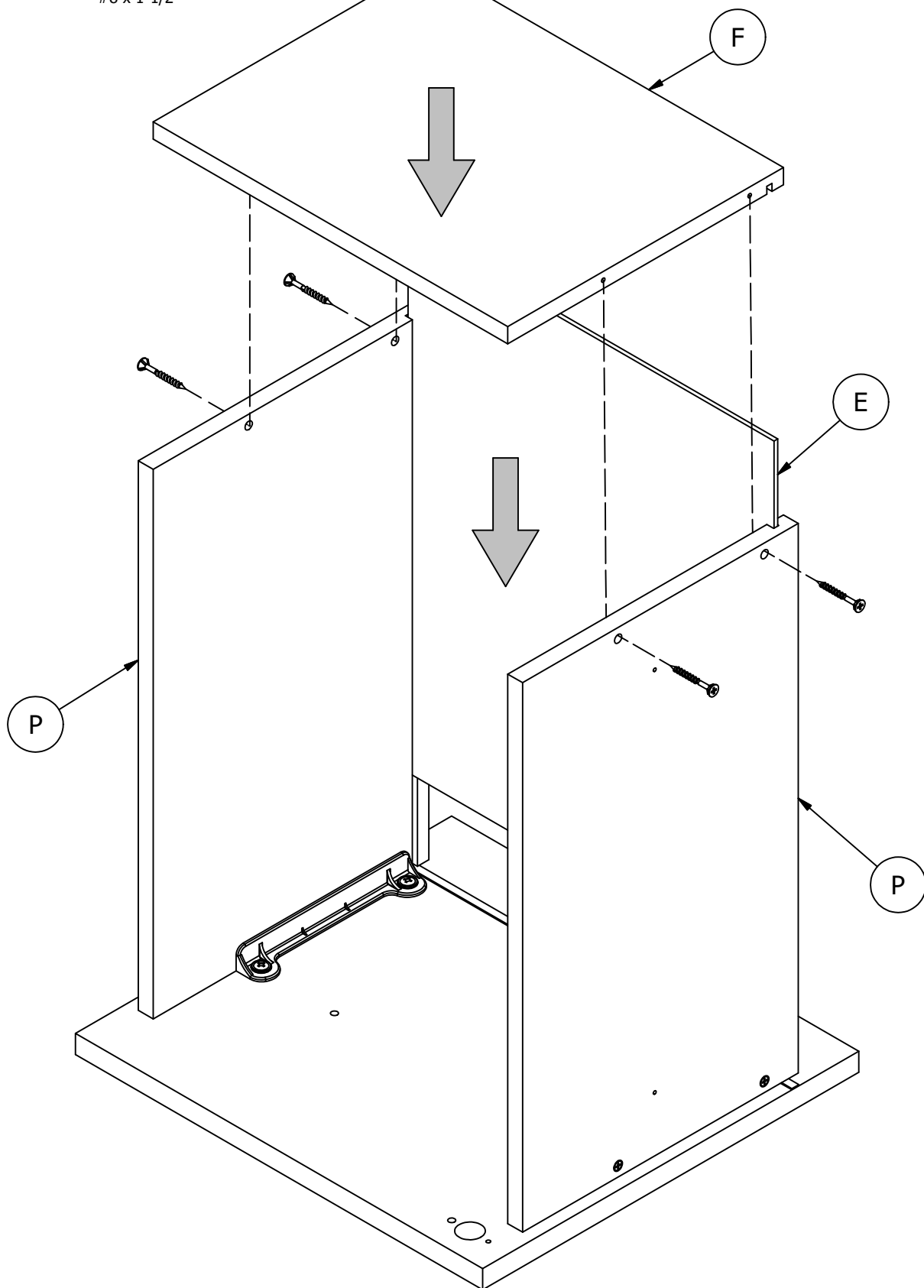
Have an assembly question or need a replacement part? Just call
1-800-950-4782, we are here to help.

H150333



[4]

#8 x 1-1/2"



Have an assembly question or need a replacement part? Just call **1-800-950-4782**, we are here to help.

Scan QR Code to Watch Video on:

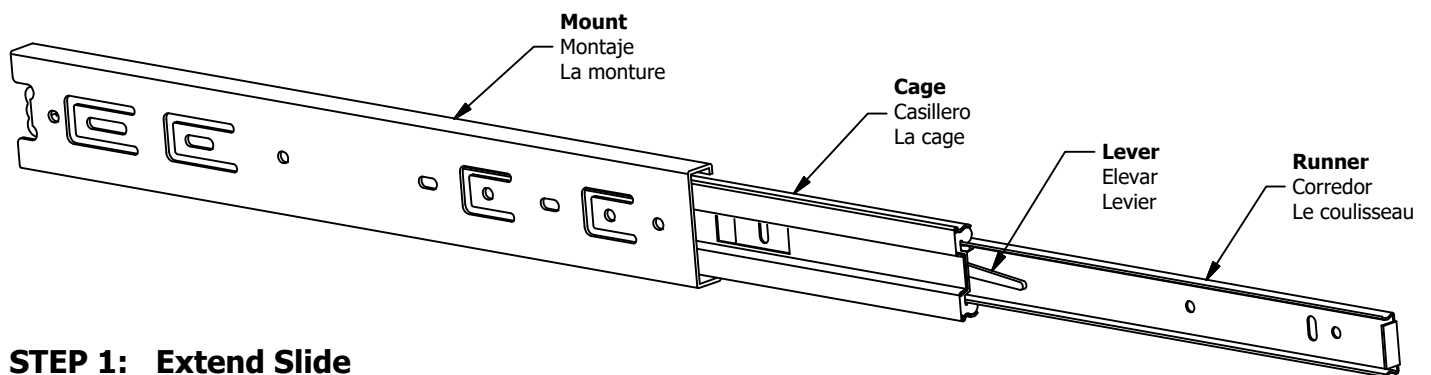


How to Separate and Install Drawer Slides

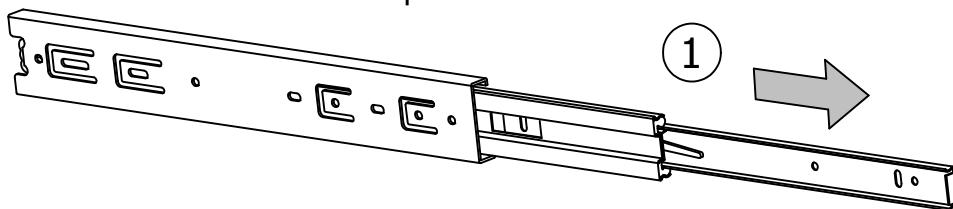
**Slides Must Be Separated Before Assembly.
After Separated, Set Aside Until Needed for Assembly.**

Las diapositivas deben separarse antes del montaje.
Después de la separación, déjelo a un lado hasta que sea necesario.

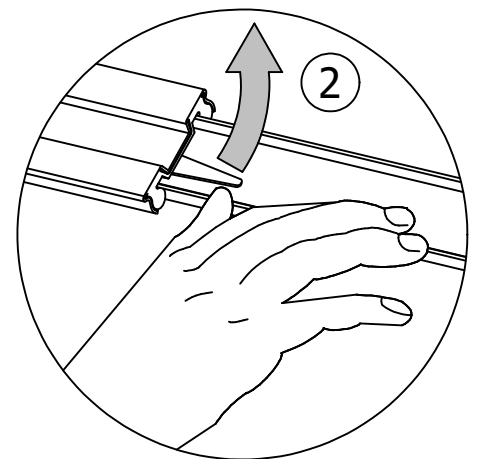
Les glissières doivent être séparées avant l'assemblage.
Après la séparation, mettez de côté jusqu'au moment de l'assemblage.



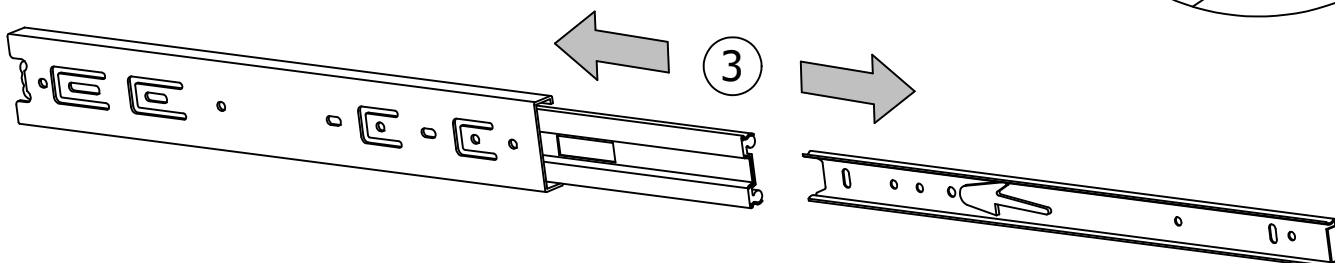
STEP 1: Extend Slide
Extender la diapositiva
Extendre la diapositive



STEP 2: Push Lever UP
Empujar hacia arriba
Lever le levier



STEP 3: Remove Runner
Quitar el corredor
Enlever le coureur



Have an assembly question or need a replacement part? Just call **1-800-950-4782**, we are here to help.

STEP 8

Attach Hardware

A216547

H192100 [8]
#8 x 1/2"

Orientation
Orientación
L'orientation

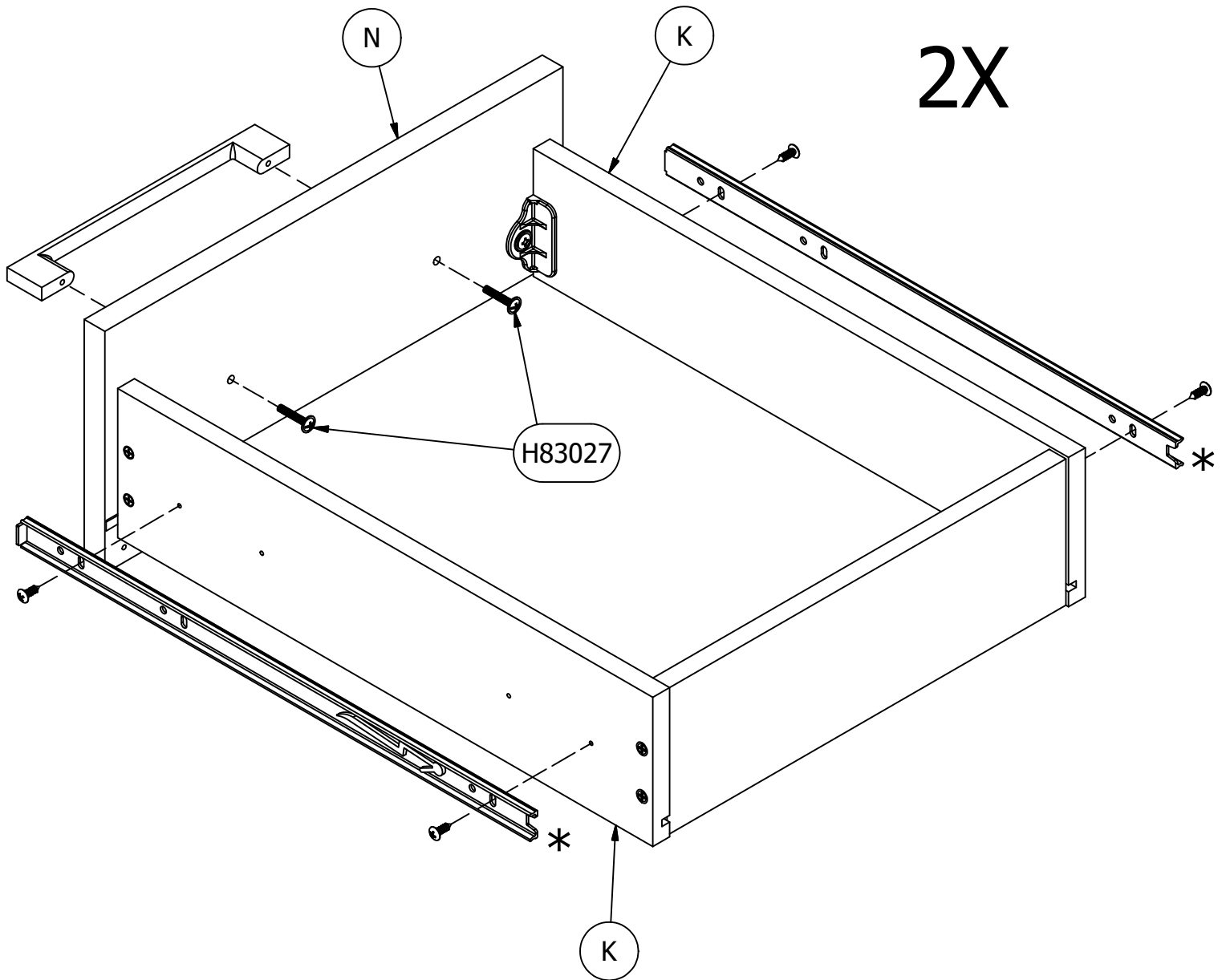
Q161948

16" Slide Runner

[4]

H83027 [4]
(Silver)
M4 x 22mm

Handle [2]

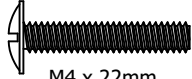


Have an assembly question or need a replacement part? Just call
1-800-950-4782, we are here to help.

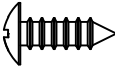
STEP 9


Attach Hardware

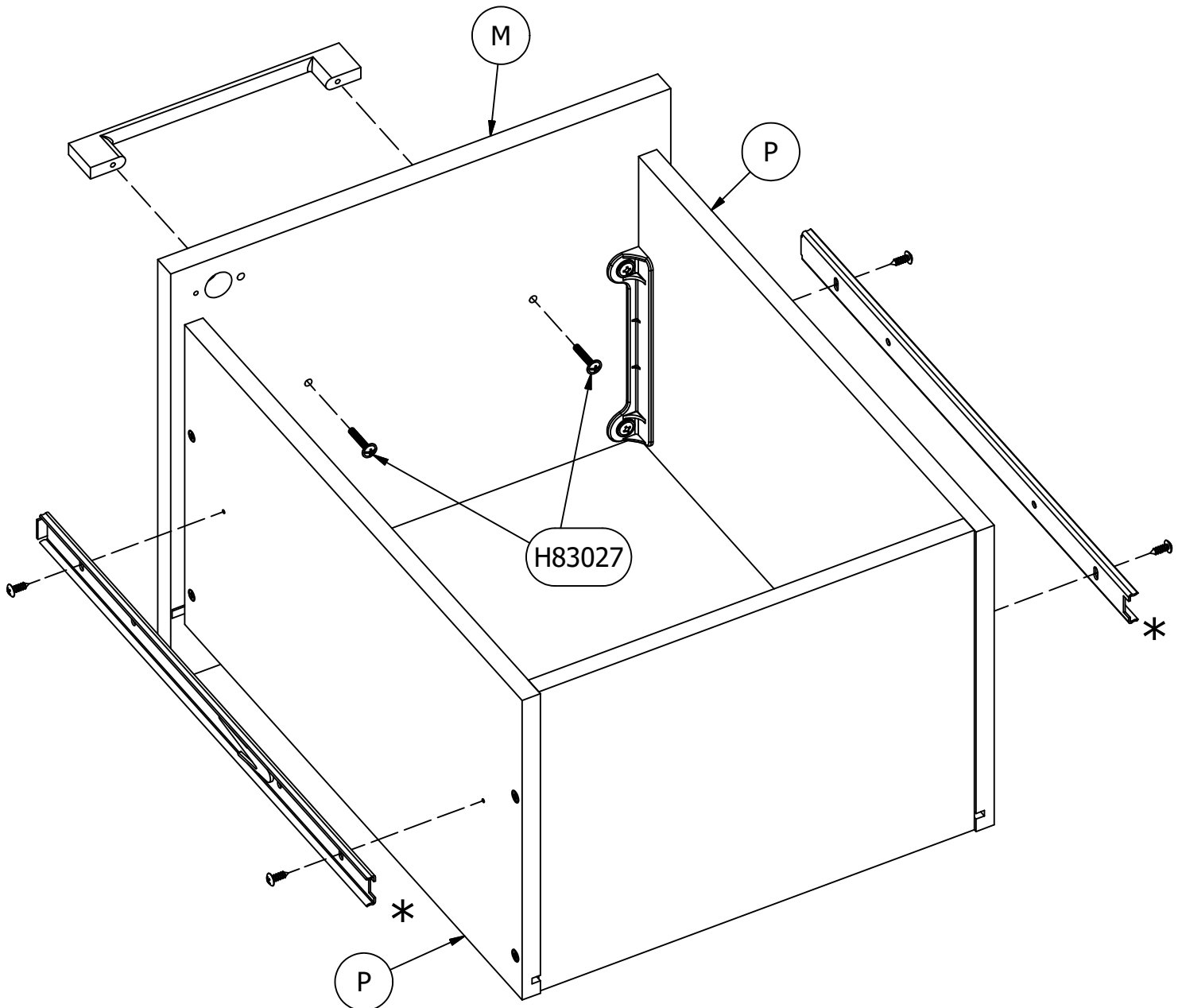
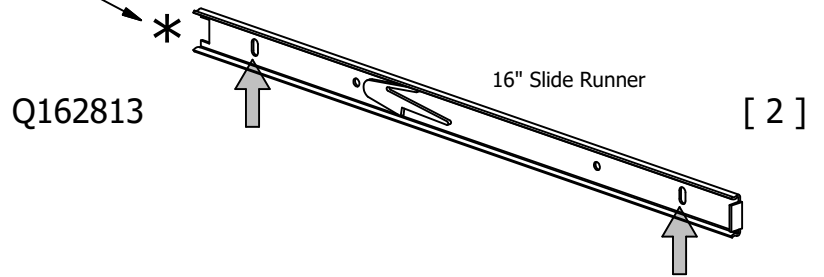
A216547

H83027
(Silver)  [2]
M4 x 22mm

Orientation
Orientación
L'orientation

H192100  [4]
#8 x 1/2"

 [1]
Handle



Have an assembly question or need a replacement part? Just call
1-800-950-4782, we are here to help.

STEP 10

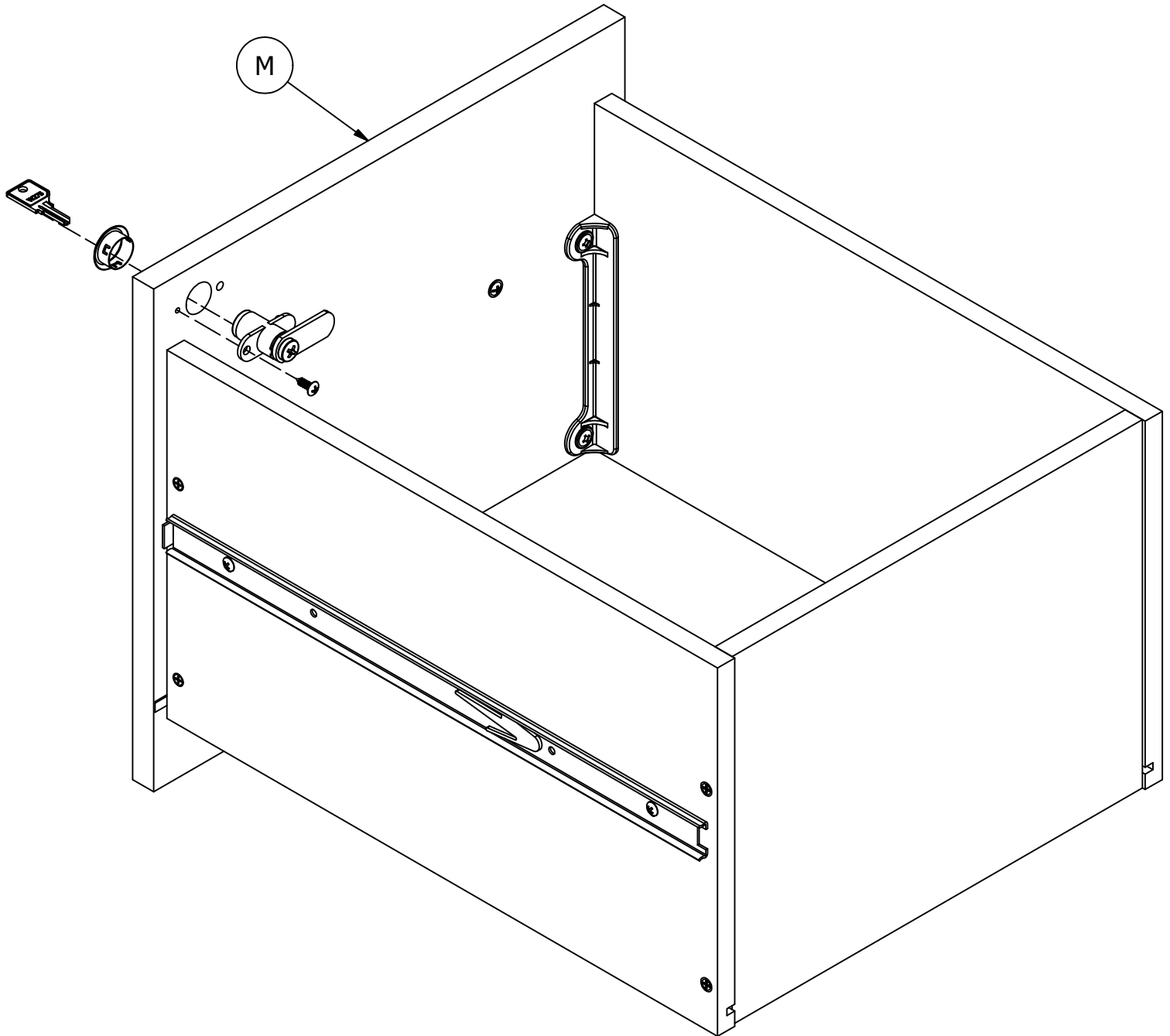
Attach Hardware

A216547

H192100 [1]
#8 x 1/2"

H215192 [1]
Lock w/Keys Assy

H215921 [1]
Bezel

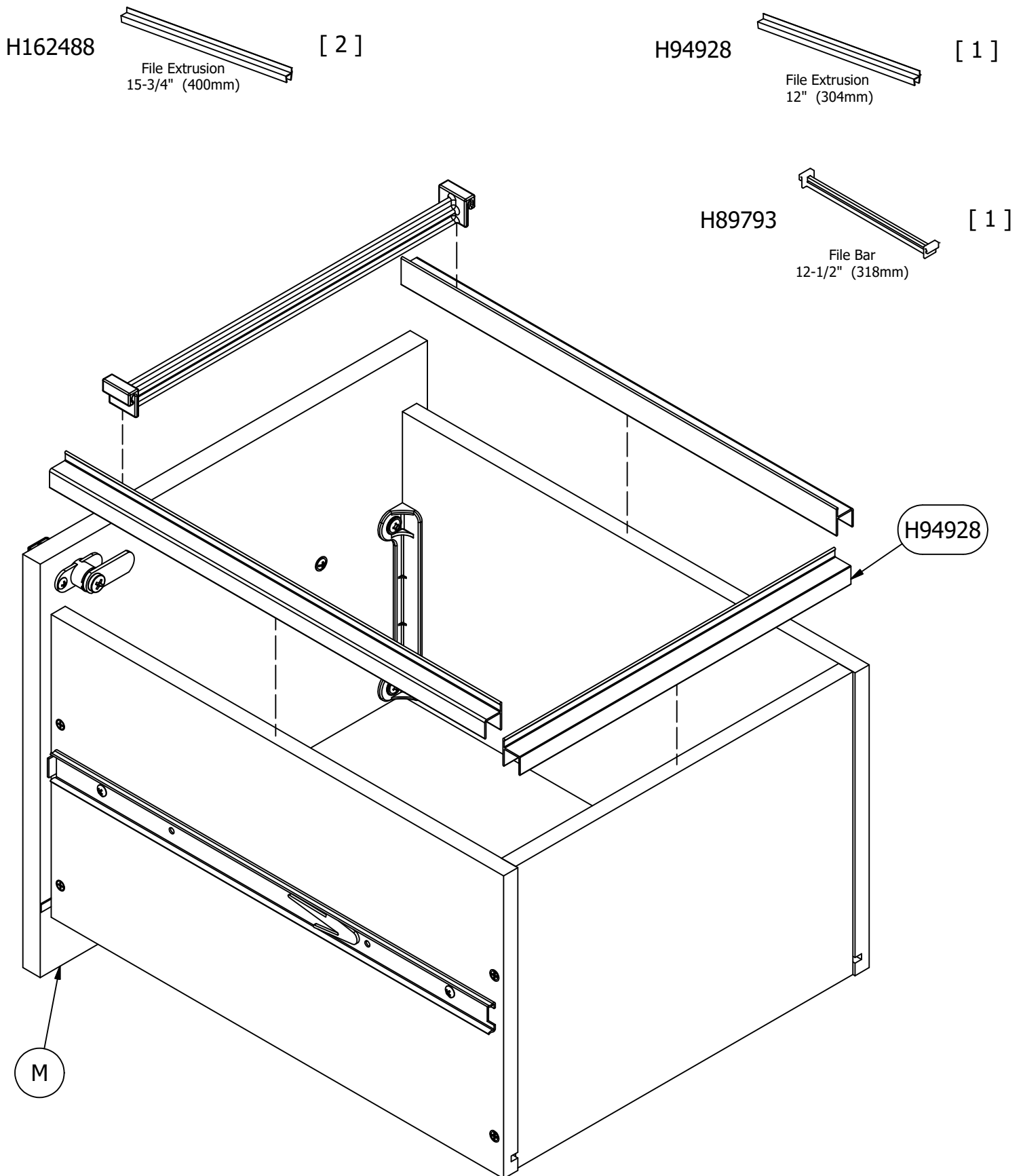


Have an assembly question or need a replacement part? Just call
1-800-950-4782, we are here to help.

STEP 11

Attach Hardware

A216547



Have an assembly question or need a replacement part? Just call **1-800-950-4782**, we are here to help.

STEP 12

Prepare Panel

A216547

Scan QR Code to Watch Video on:



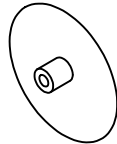
How to Tighten KD Cams

H181468US



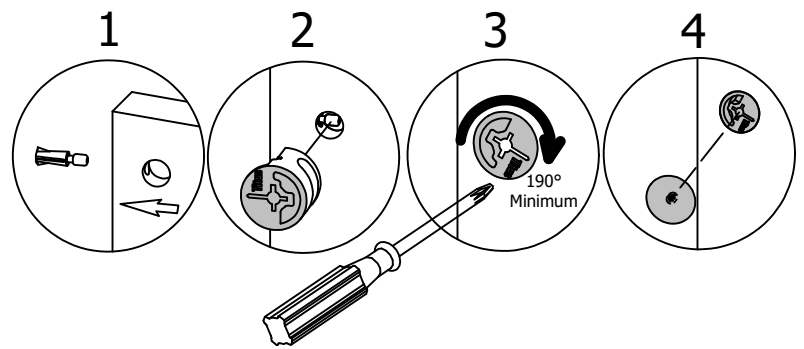
KD Cam3000

[2]

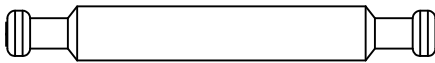


[1]

Cover Cap

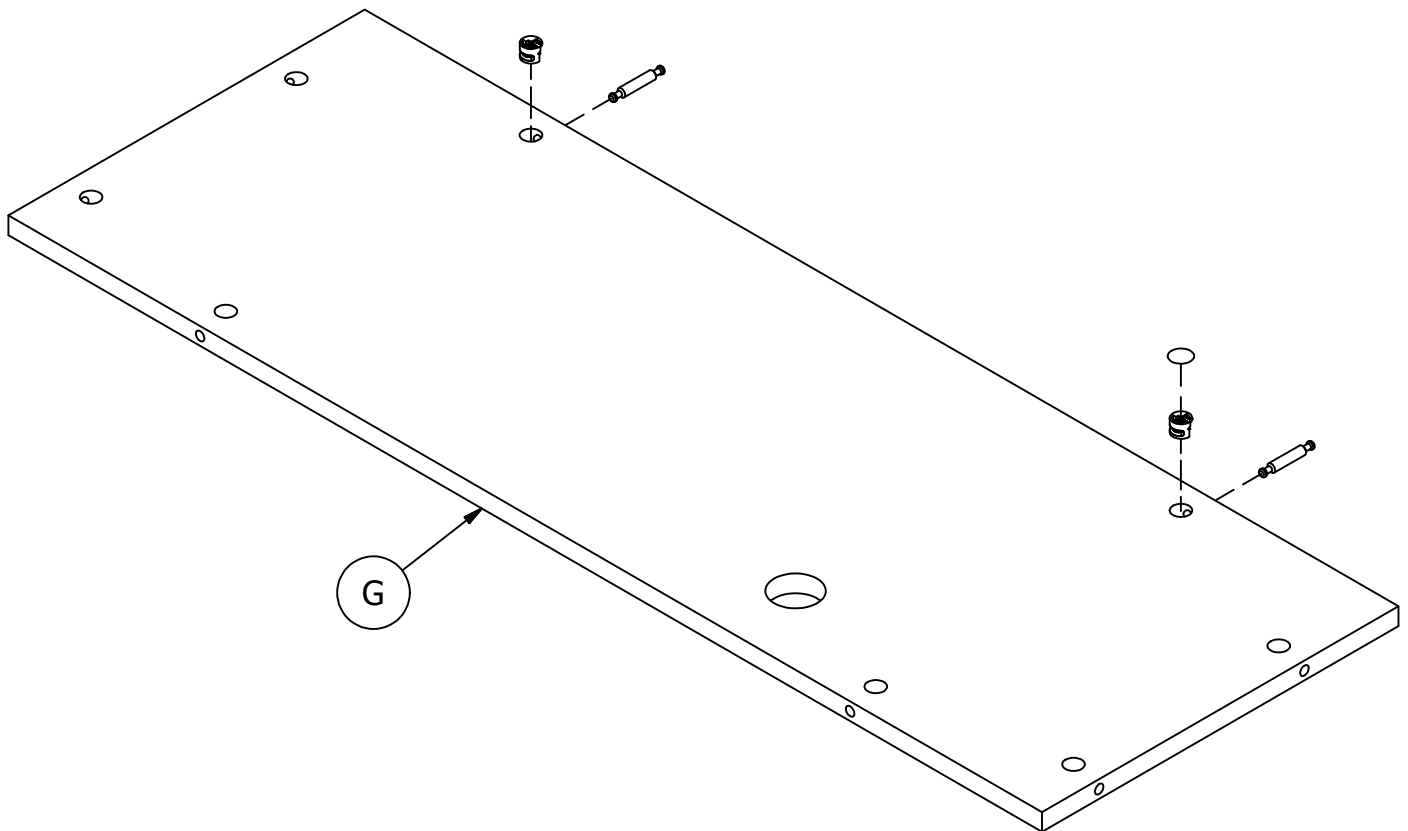


H79096



[2]

KD Bolt Double Head



Have an assembly question or need a replacement part? Just call **1-800-950-4782**, we are here to help.

STEP 13

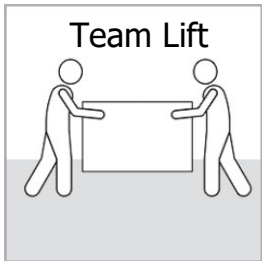
Assemble Panels

A216547

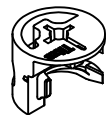
Scan QR Code to Watch Video on:



How to Tighten KD Cams

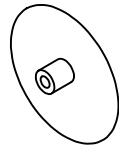


H181468US



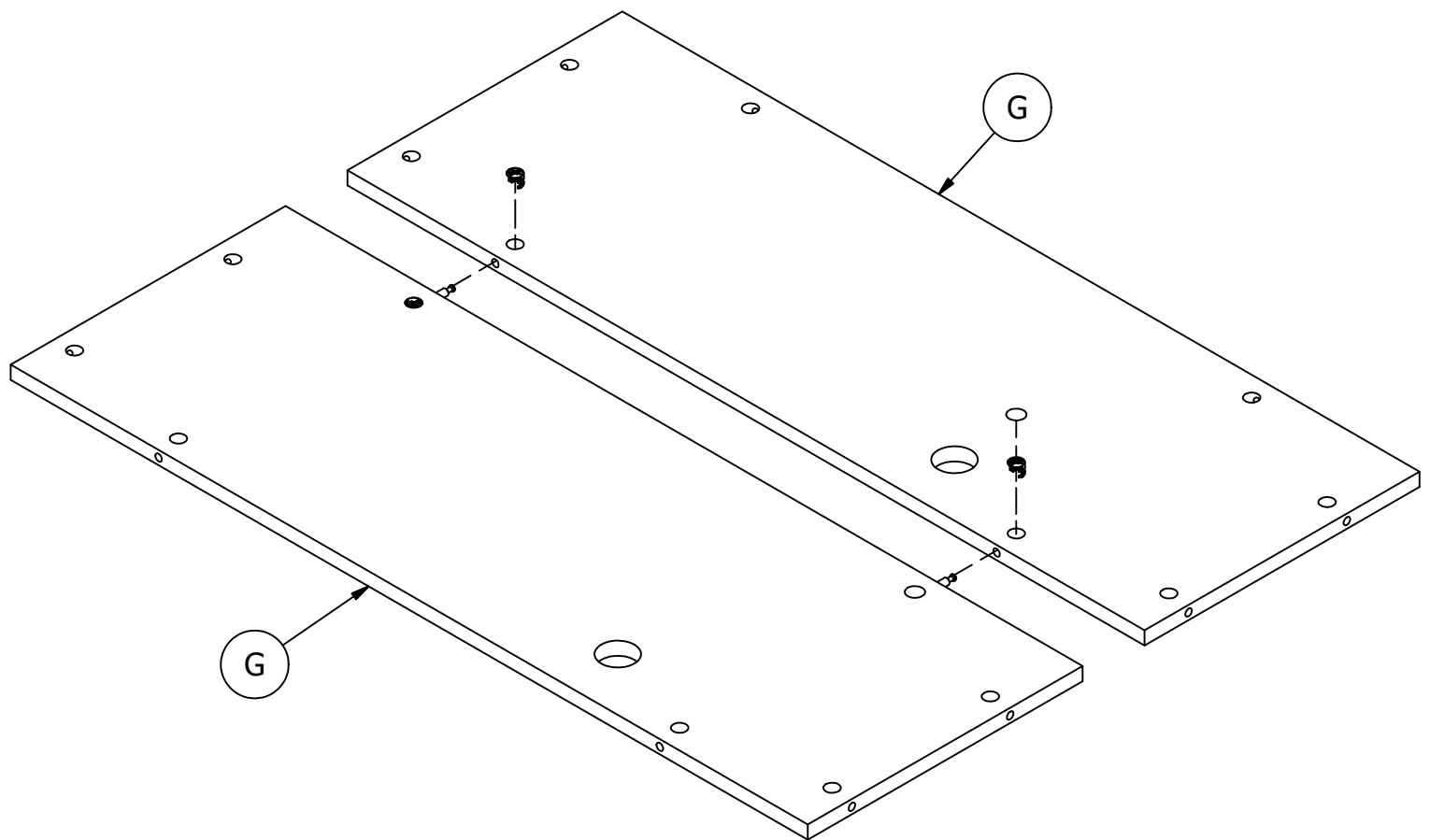
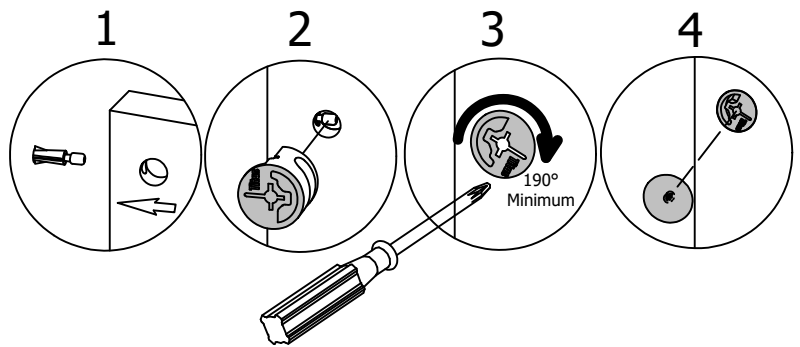
KD Cam3000

[2]



[1]

Cover Cap



Have an assembly question or need a replacement part? Just call **1-800-950-4782**, we are here to help.

STEP 14

Attach Hardware

A216547

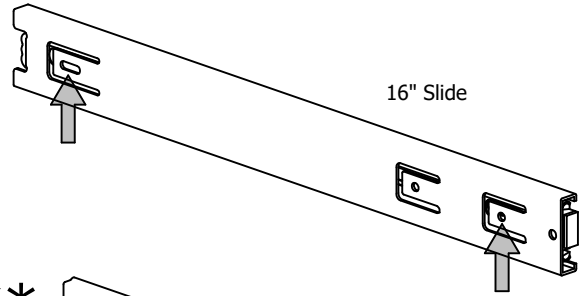
Scan QR Code to Watch Video on:



How to Separate and Install Drawer Slides

Orientation
Orientación
L'orientation

Q162813

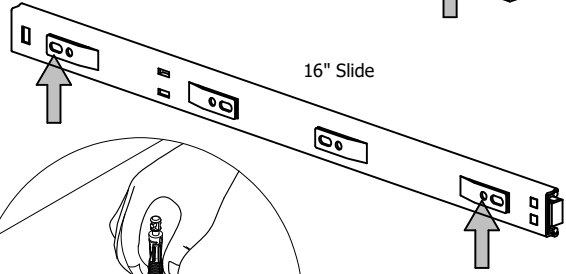


16" Slide

[1]

Orientation
Orientación
L'orientation

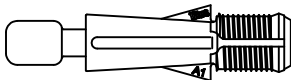
Q161948



16" Slide

[2]

H171556



Quickfit TL4

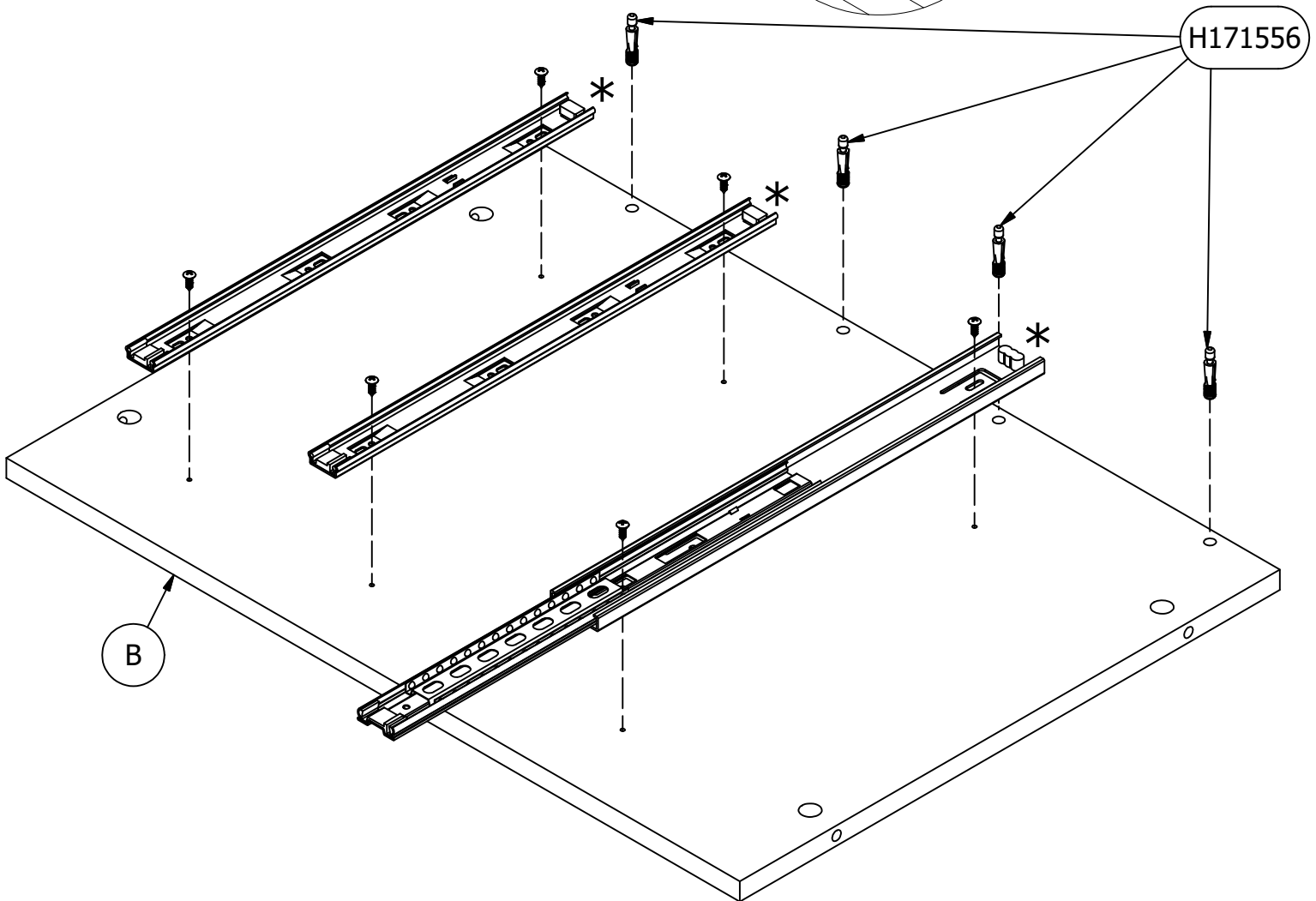
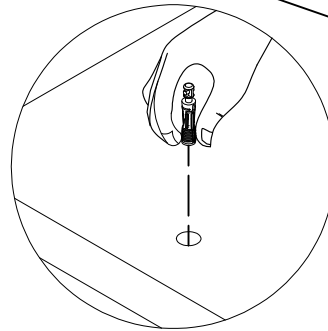
[4]

H192100



#8 x 1/2"

[6]



Have an assembly question or need a replacement part? Just call **1-800-950-4782**, we are here to help.

STEP 15

Assemble Panels

A216547

Scan QR Code to Watch Video on:

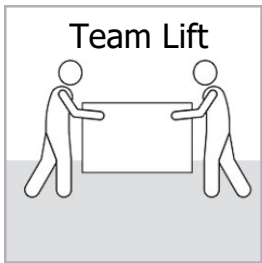
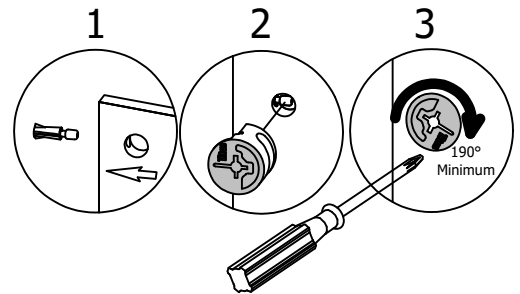


How to Tighten KD Cams

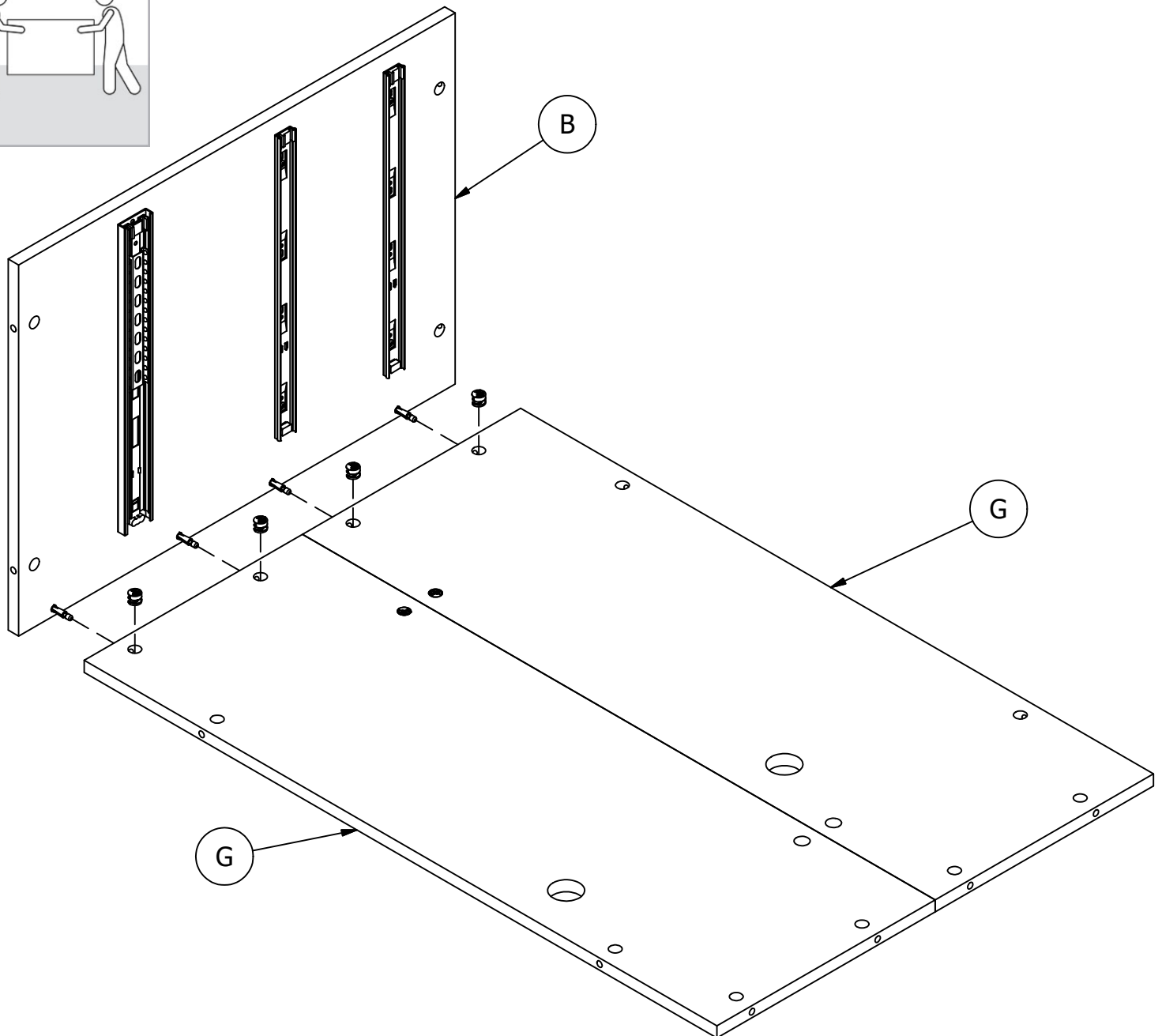
H181468US



[4]



Team Lift



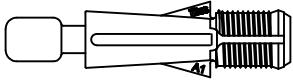
Have an assembly question or need a replacement part? Just call **1-800-950-4782**, we are here to help.

STEP 16

Prepare Panel

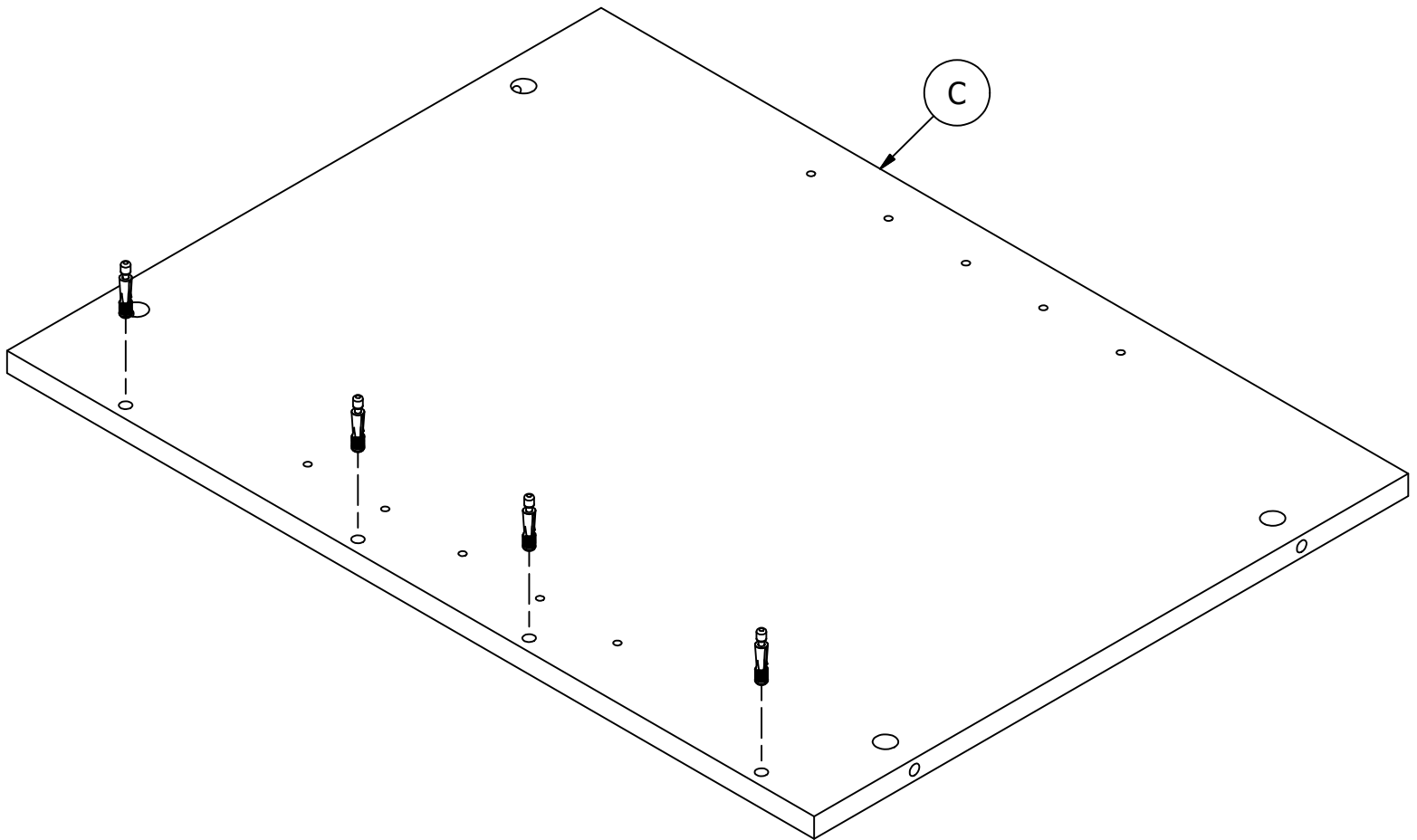
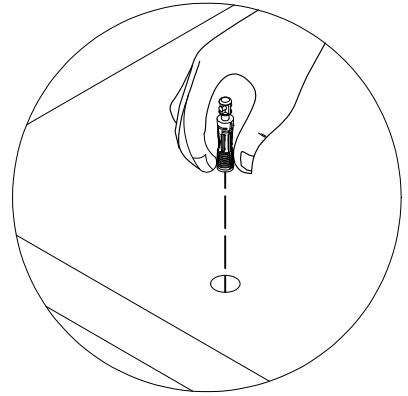
A216547

H171556



Quickfit TL4

[4]



Have an assembly question or need a replacement part? Just call
1-800-950-4782, we are here to help.

STEP 17

Assemble Panels

A216547

Scan QR Code to Watch Video on:

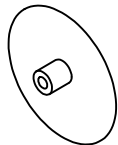


How to Tighten KD Cams

H181468US

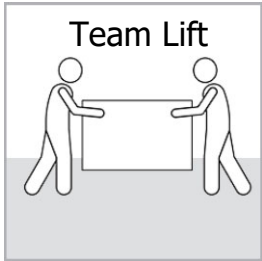
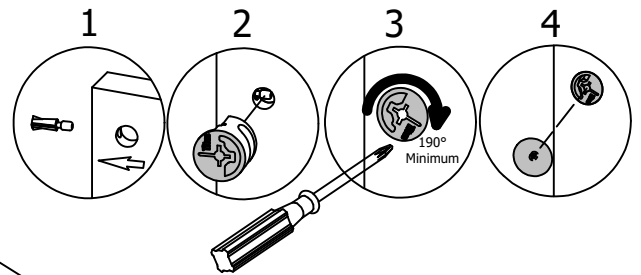


[4]

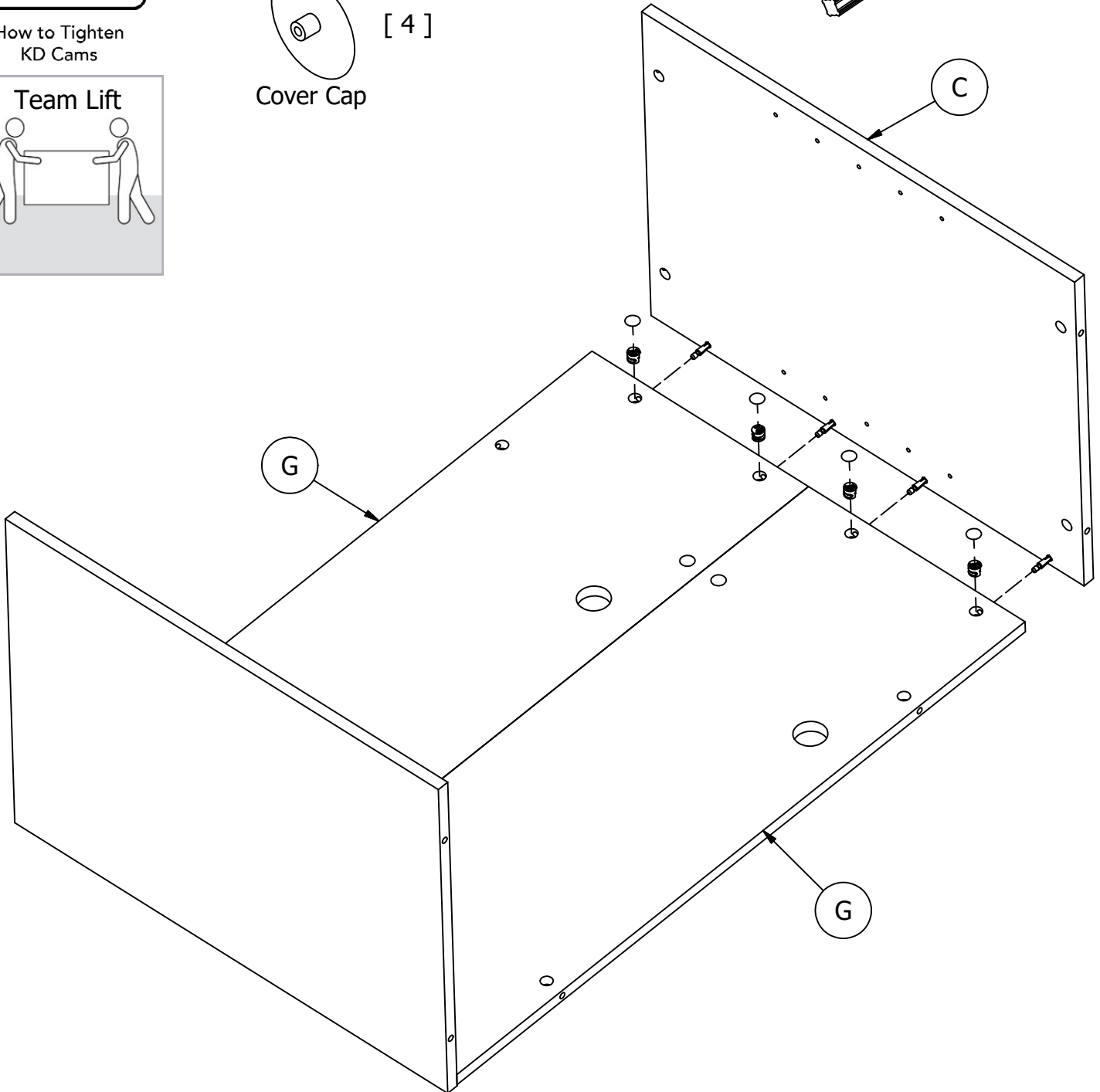


Cover Cap

[4]



Team Lift

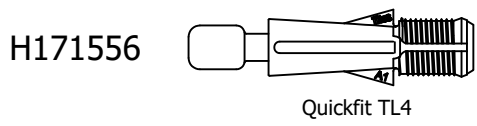


Have an assembly question or need a replacement part? Just call **1-800-950-4782**, we are here to help.

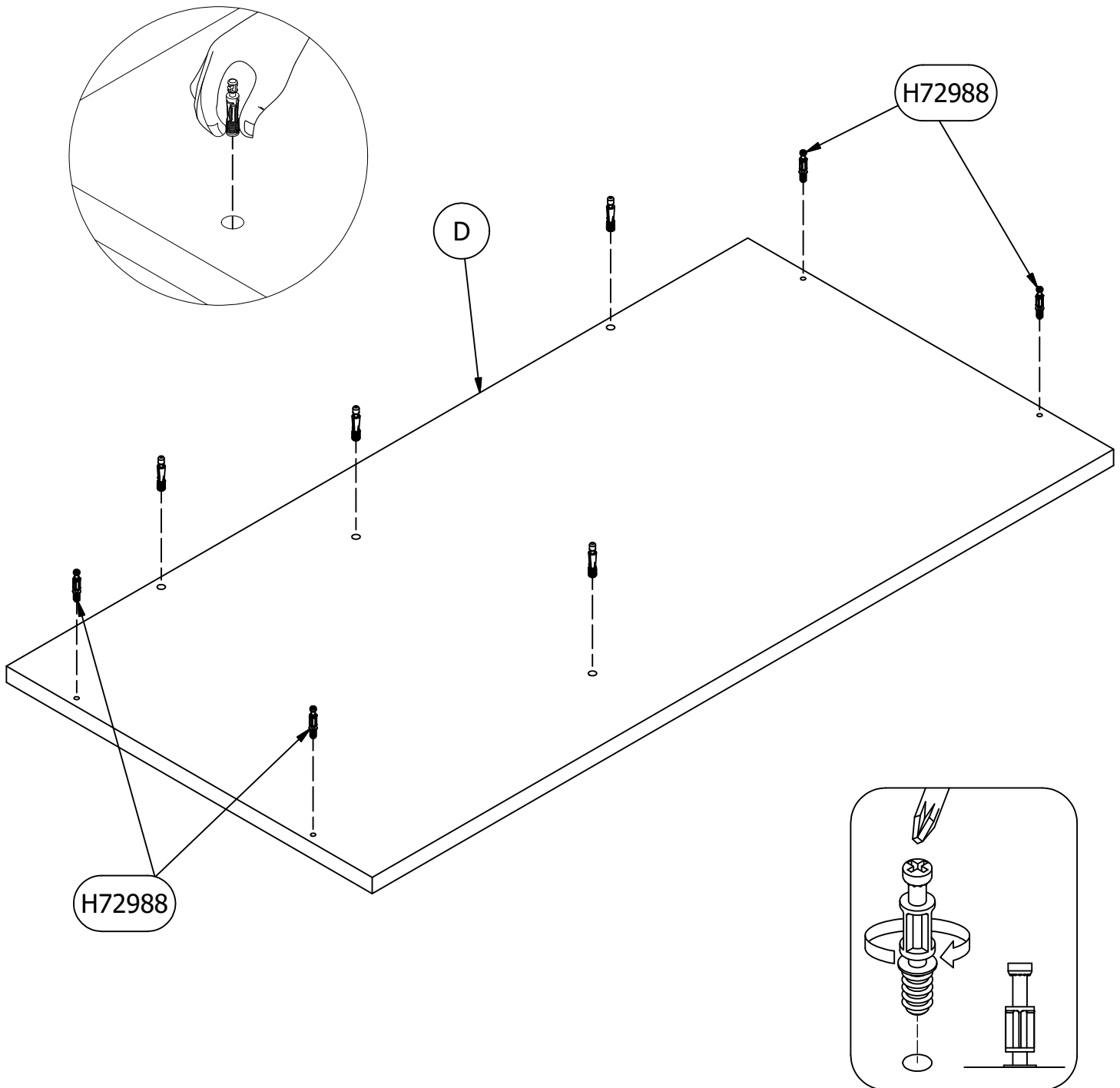
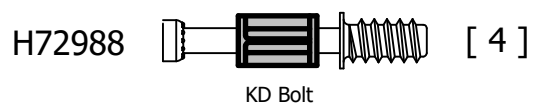
STEP 18

Prepare Panel

A216547



[4]

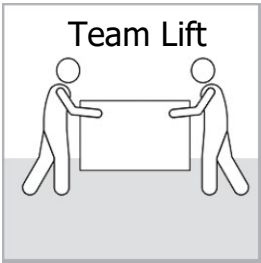


Have an assembly question or need a replacement part? Just call
1-800-950-4782, we are here to help.

Scan QR Code to Watch Video on:



How to Tighten KD Cams

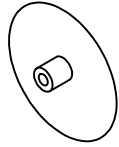


H181468US



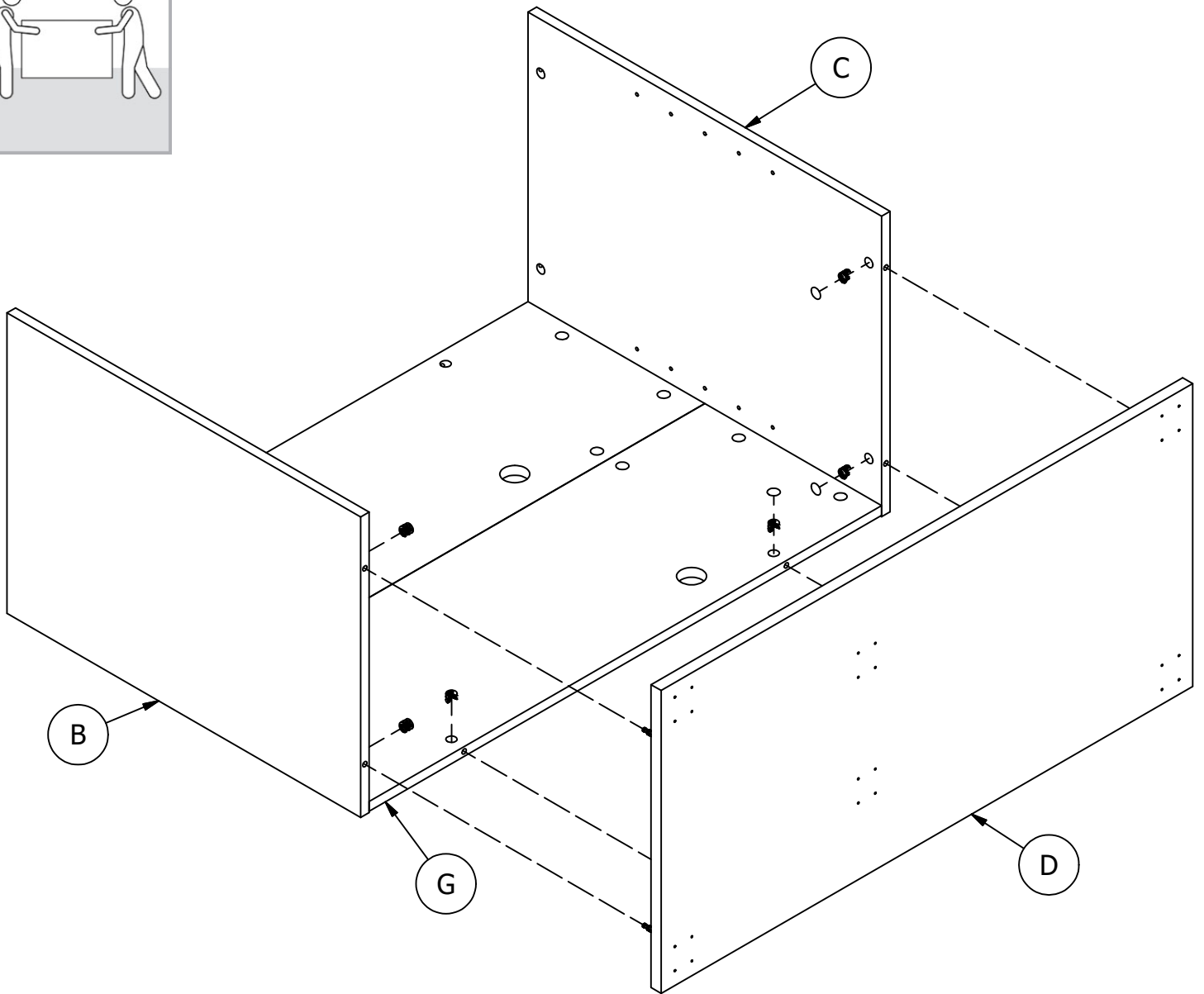
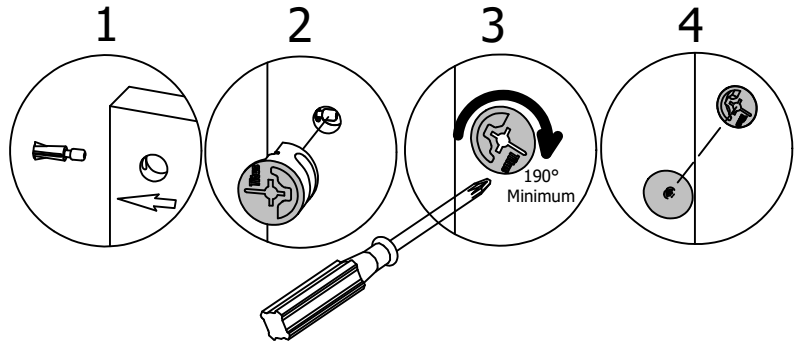
KD Cam3000

[6]



Cover Cap

[3]



Have an assembly question or need a replacement part? Just call **1-800-950-4782**, we are here to help.

STEP 20

Attach Hardware

A216547

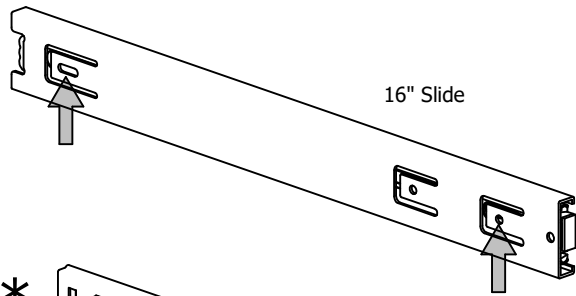
Scan QR Code to Watch Video on:



How to Separate and Install Drawer Slides

Orientation
Orientación
L'orientation

Q162813

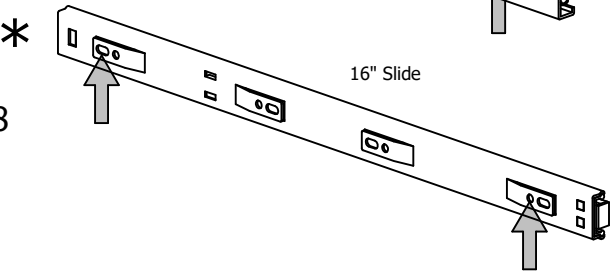


16" Slide

[1]

Orientation
Orientación
L'orientation

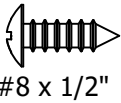
Q161948



16" Slide

[2]

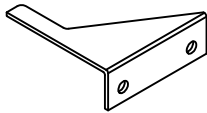
H192100



[8]

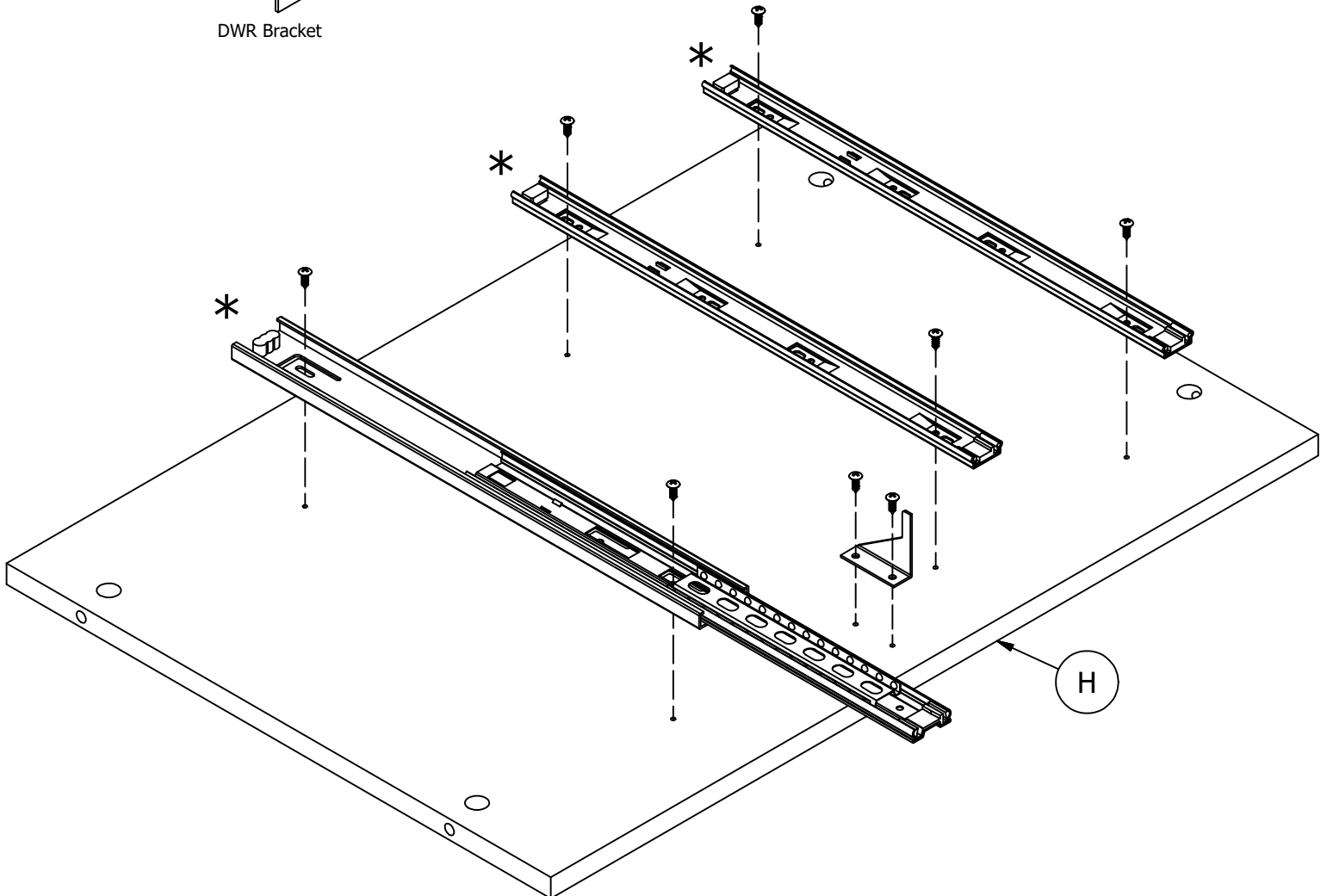
#8 x 1/2"

H214977



[1]

DWR Bracket



Have an assembly question or need a replacement part? Just call **1-800-950-4782**, we are here to help.

Scan QR Code to
Watch Video on:



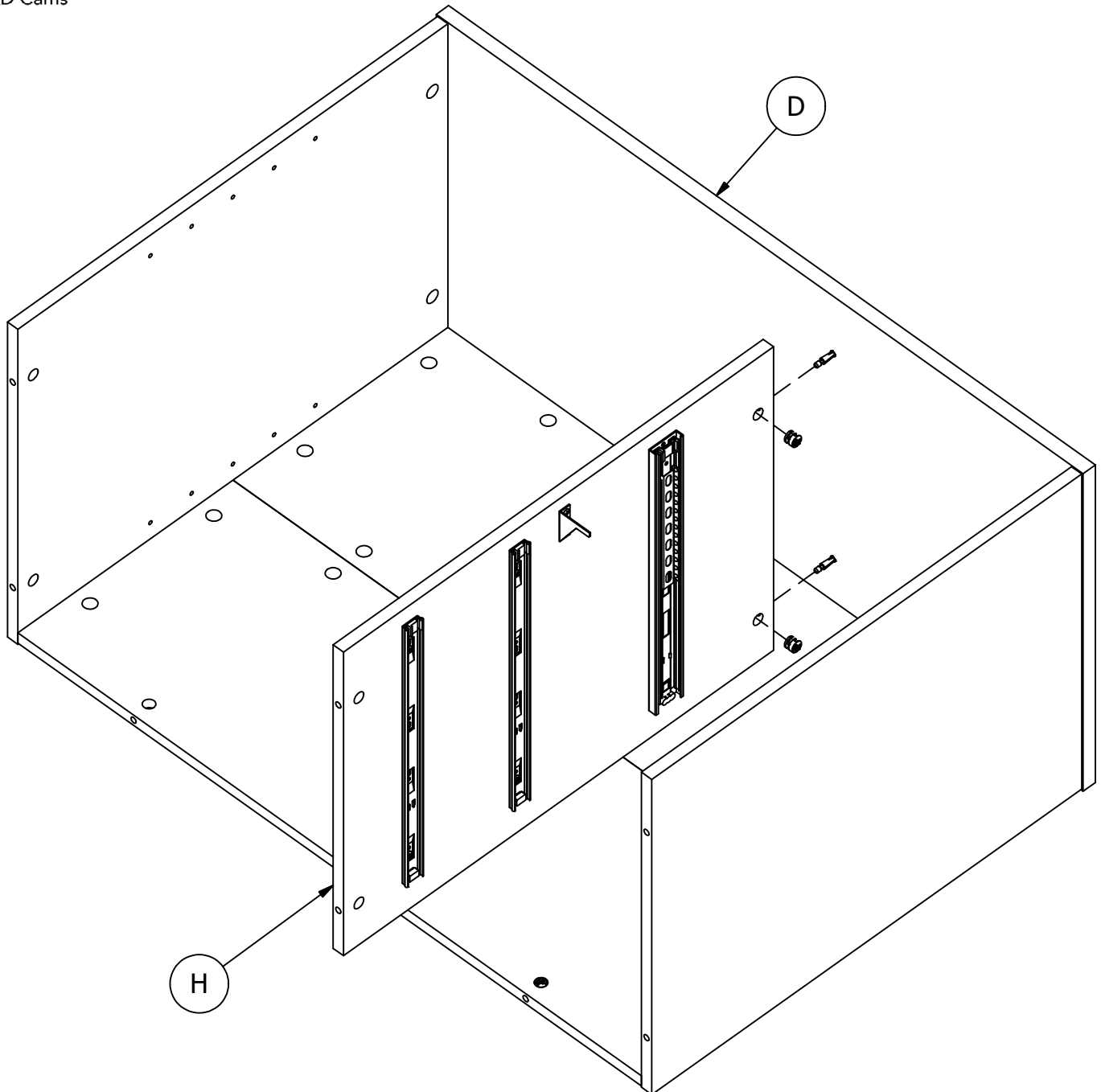
How to Tighten
KD Cams

H181468US



KD Cam3000

[2]



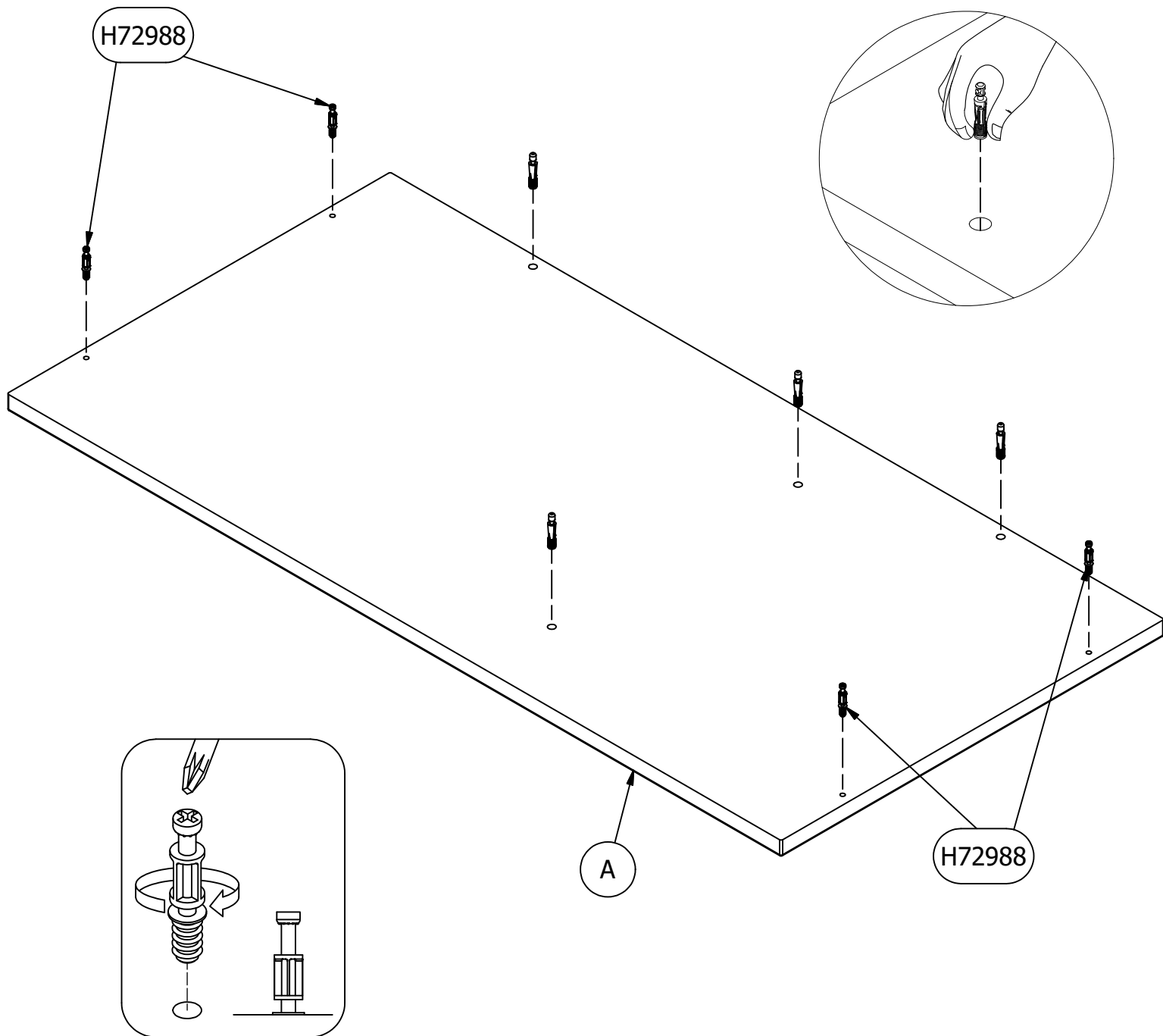
Have an assembly question or need a replacement part? Just call
1-800-950-4782, we are here to help.

STEP 22

Prepare Panel

A216547

- H171556 [4] Quickfit TL4
- H72988 [4] KD Bolt

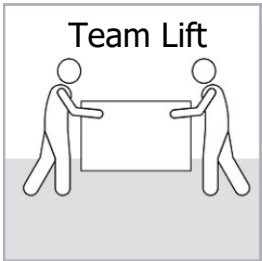


Have an assembly question or need a replacement part? Just call **1-800-950-4782**, we are here to help.

Scan QR Code to Watch Video on:



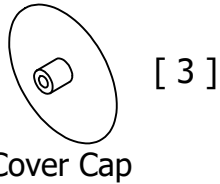
How to Tighten KD Cams



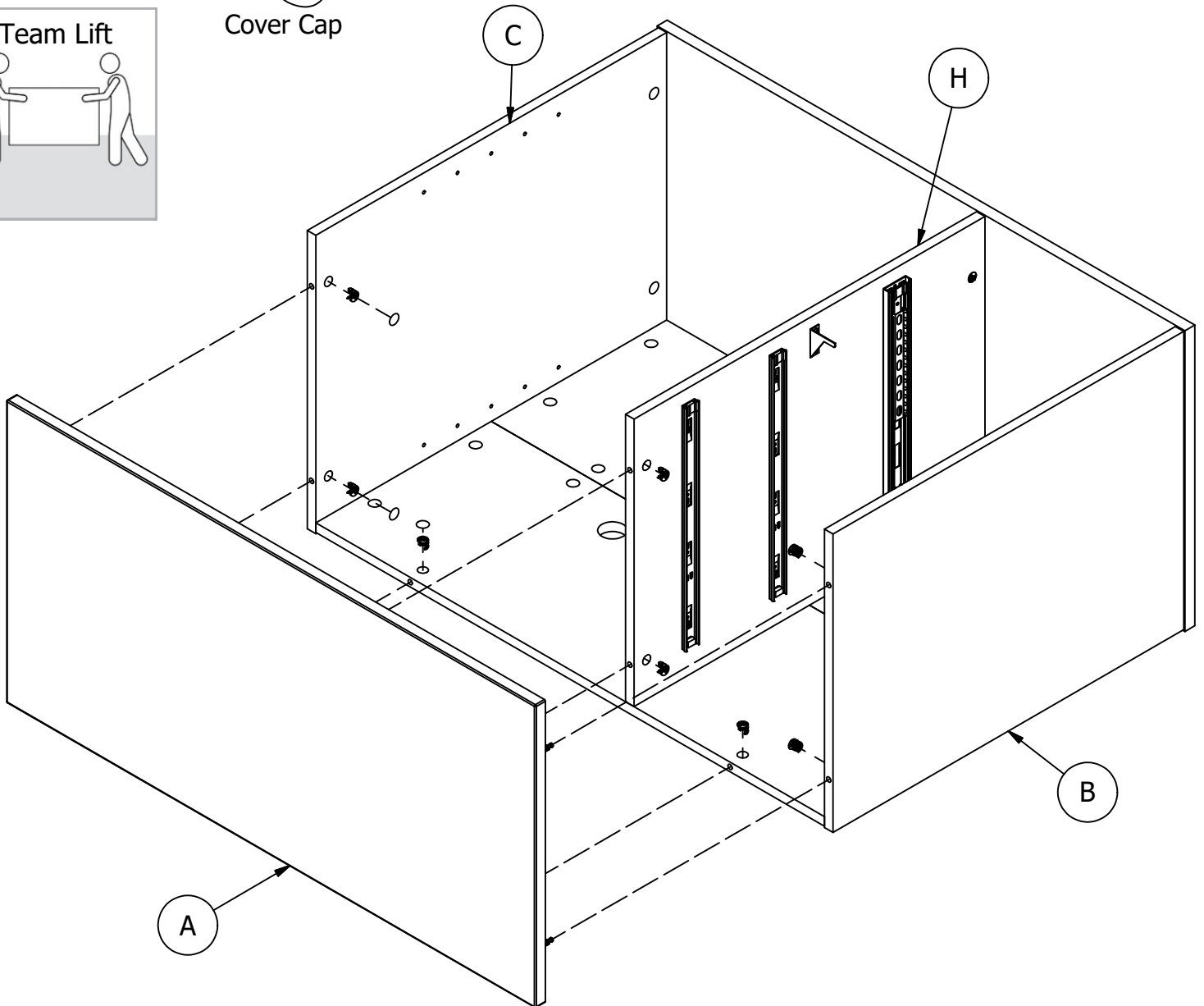
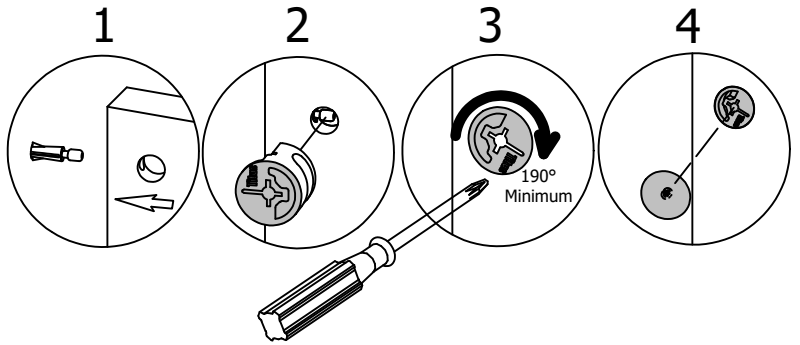
H181468US [8]



KD Cam3000



Cover Cap [3]



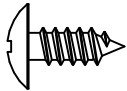
Have an assembly question or need a replacement part? Just call **1-800-950-4782**, we are here to help.

STEP 24

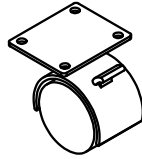
Attach Hardware

A216547

H35251 [24]
(Black) #10 x 1/2"

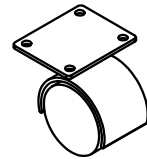


Z118863 [2]

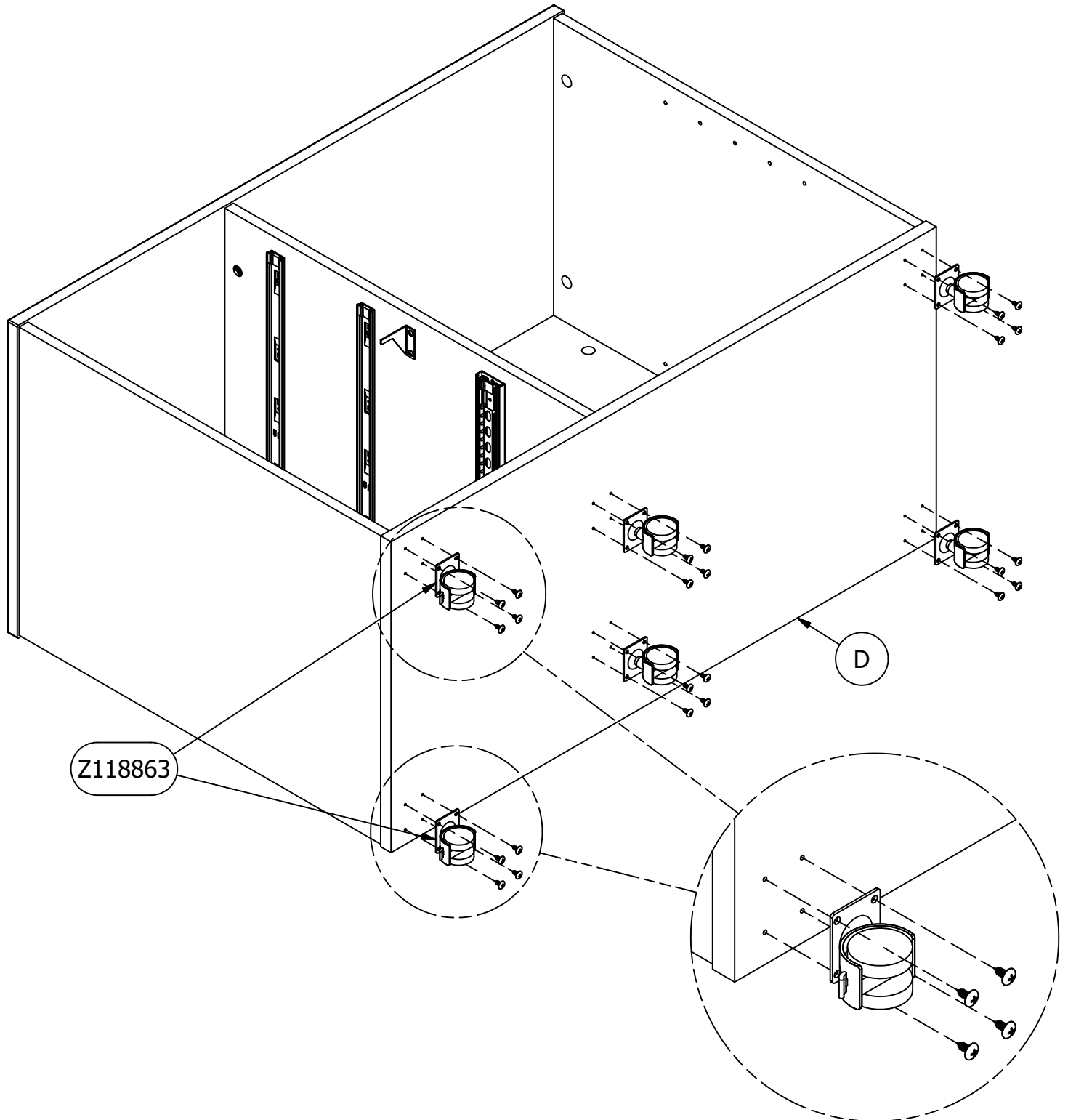


Caster Fixed Locking

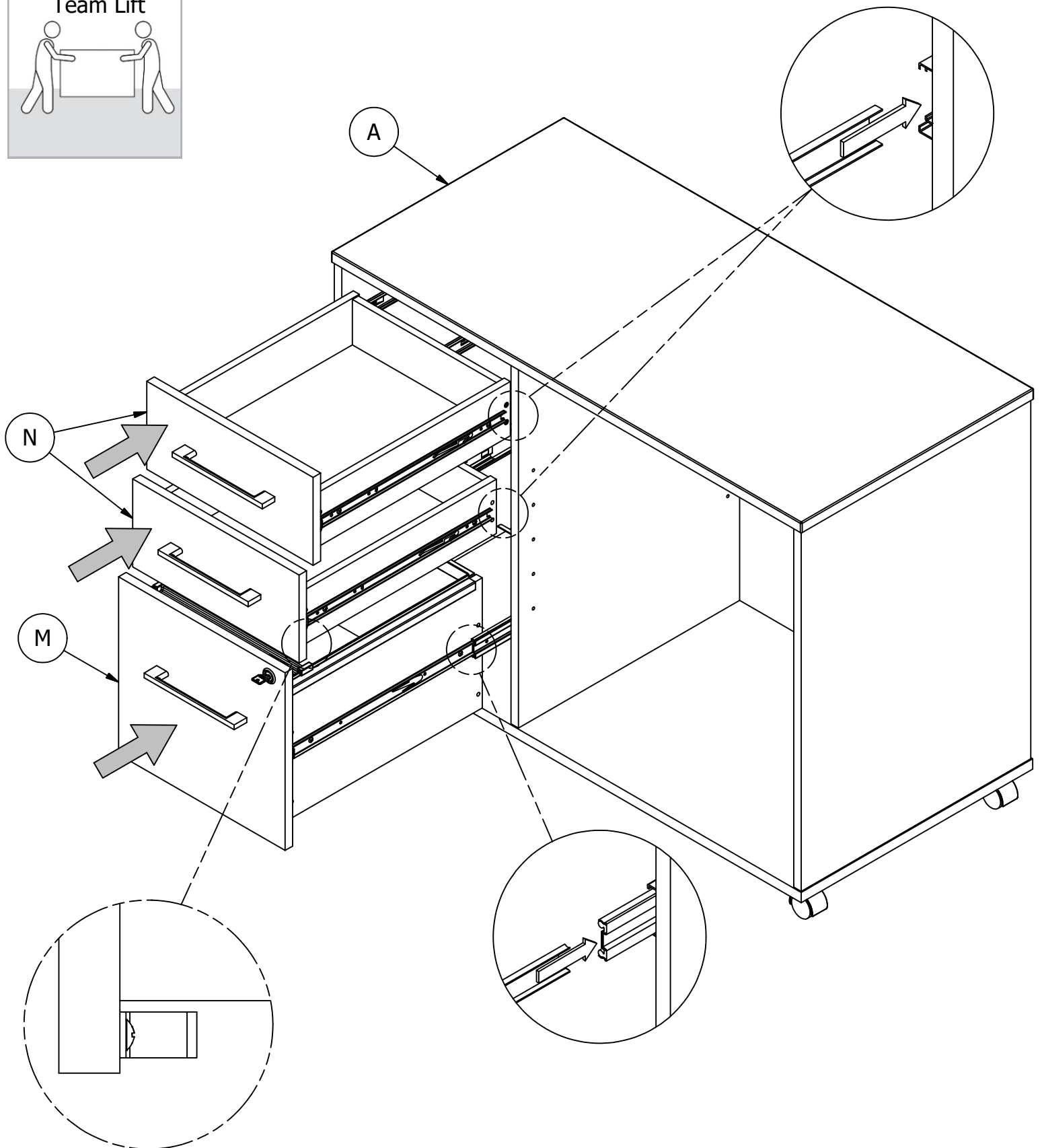
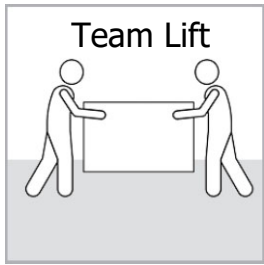
Z118862 [4]



Caster Swivel



Have an assembly question or need a replacement part? Just call **1-800-950-4782**, we are here to help.



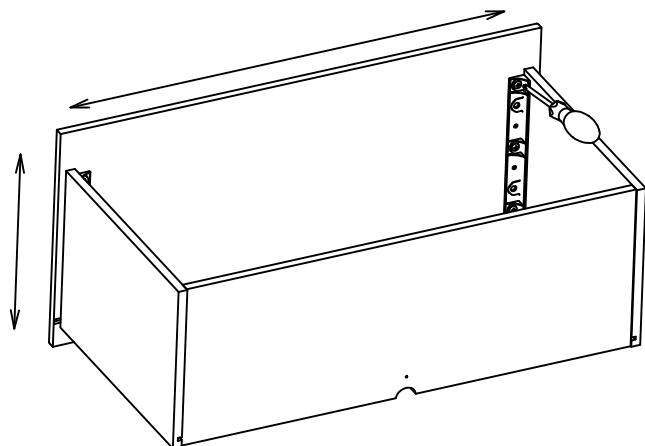
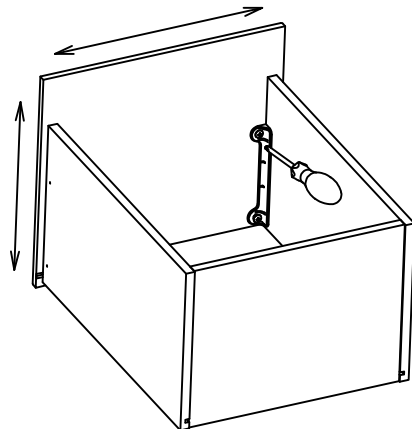
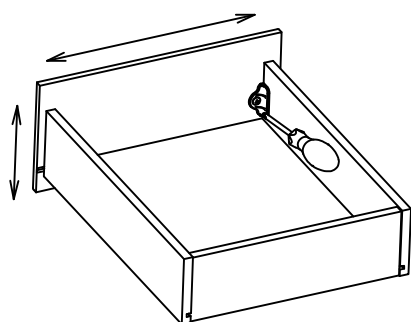
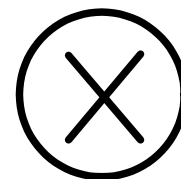
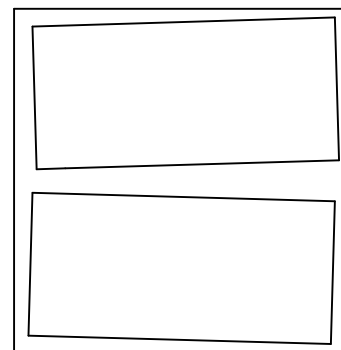
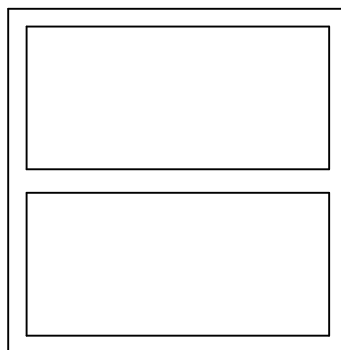
Have an assembly question or need a replacement part? Just call **1-800-950-4782**, we are here to help.

Scan QR Code to Watch Video on:



How to Adjust Drawer Fronts

DRAWER FRONT VIEW



REQUIRED TOOL: PHILLIPS SCREWDRIVER

HERRAMIENTA REQUERIDA: DESTORNILLADOR PHILLIPS
 OUTIL REQUIS: TOURNEVIS CRUCIFORME

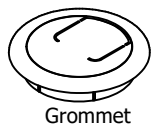


1. LOOSEN SCREWS.
2. ADJUST DRAWER FRONTS.
3. TIGHTEN SCREWS.

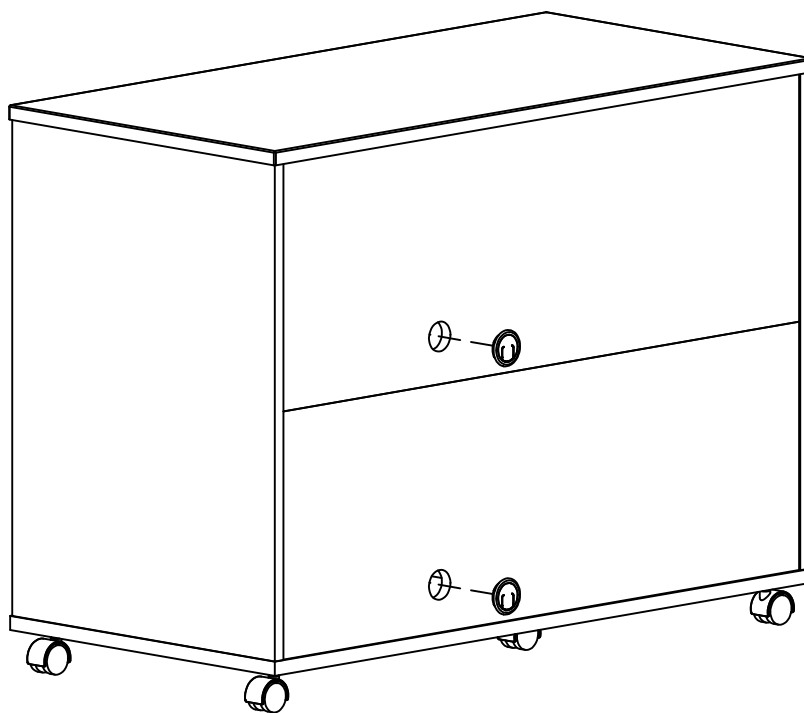
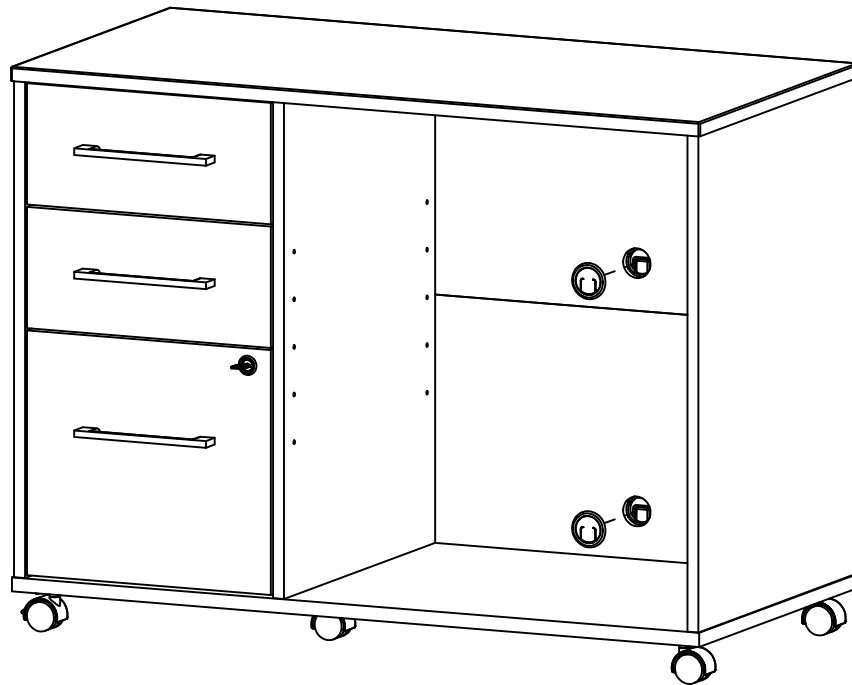
1. Afloje los tornillos
2. Ajustar frentes de cajón
3. Apriete los tornillos

1. Desserrer les vis
2. Ajuster les façades des tiroirs
3. Serrer les vis

Have an assembly question or need a replacement part? Just call **1-800-950-4782**, we are here to help.



[4]

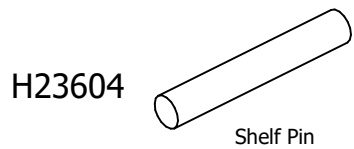


Have an assembly question or need a replacement part? Just call
1-800-950-4782, we are here to help.

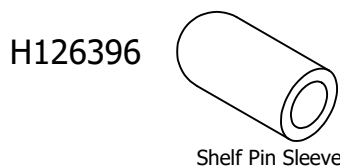
STEP 28

Insert Shelves

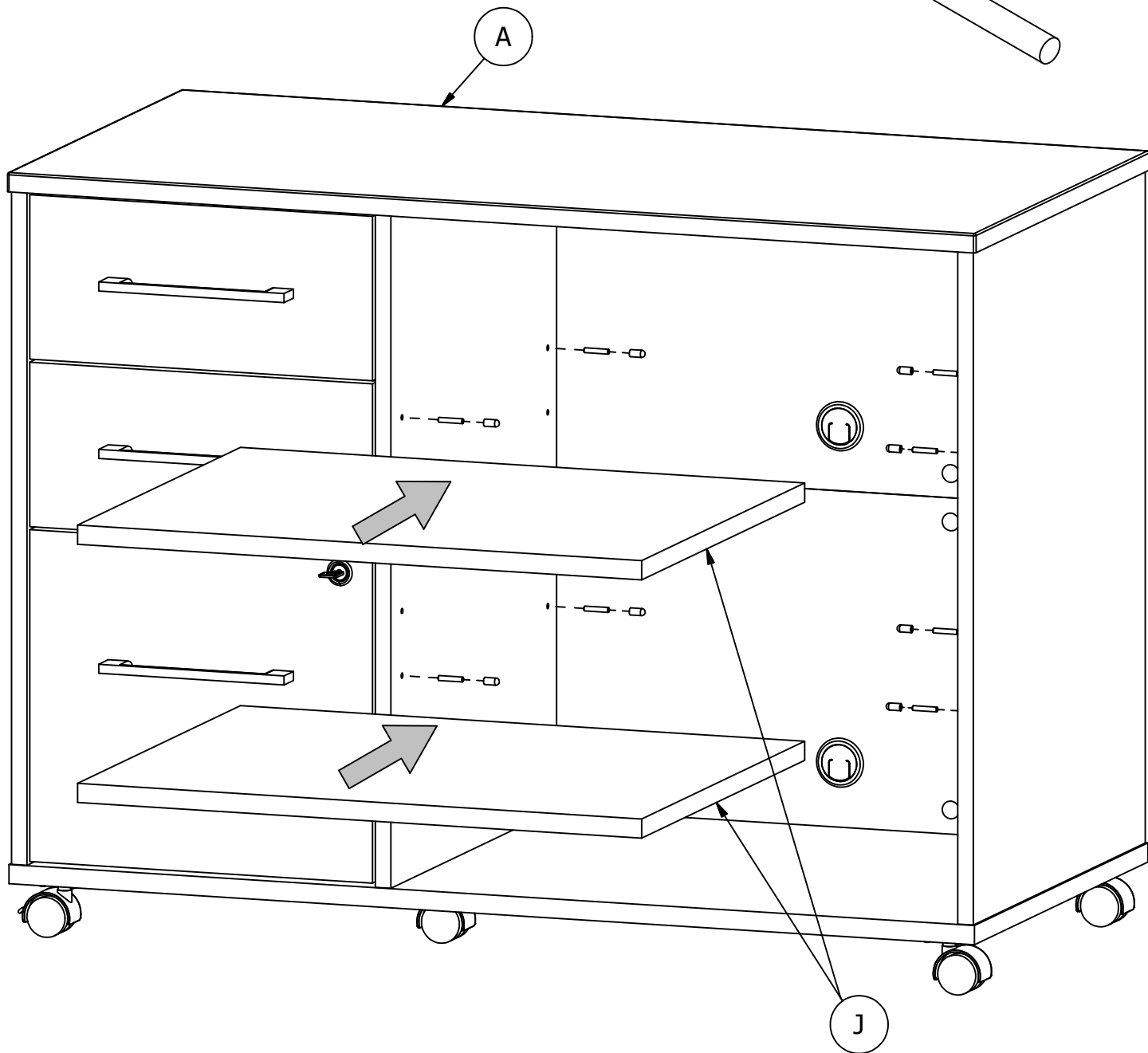
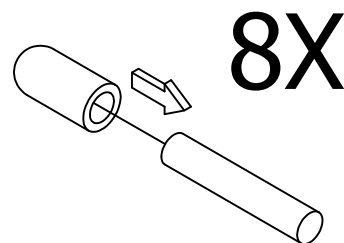
A216547



[8]



[8]



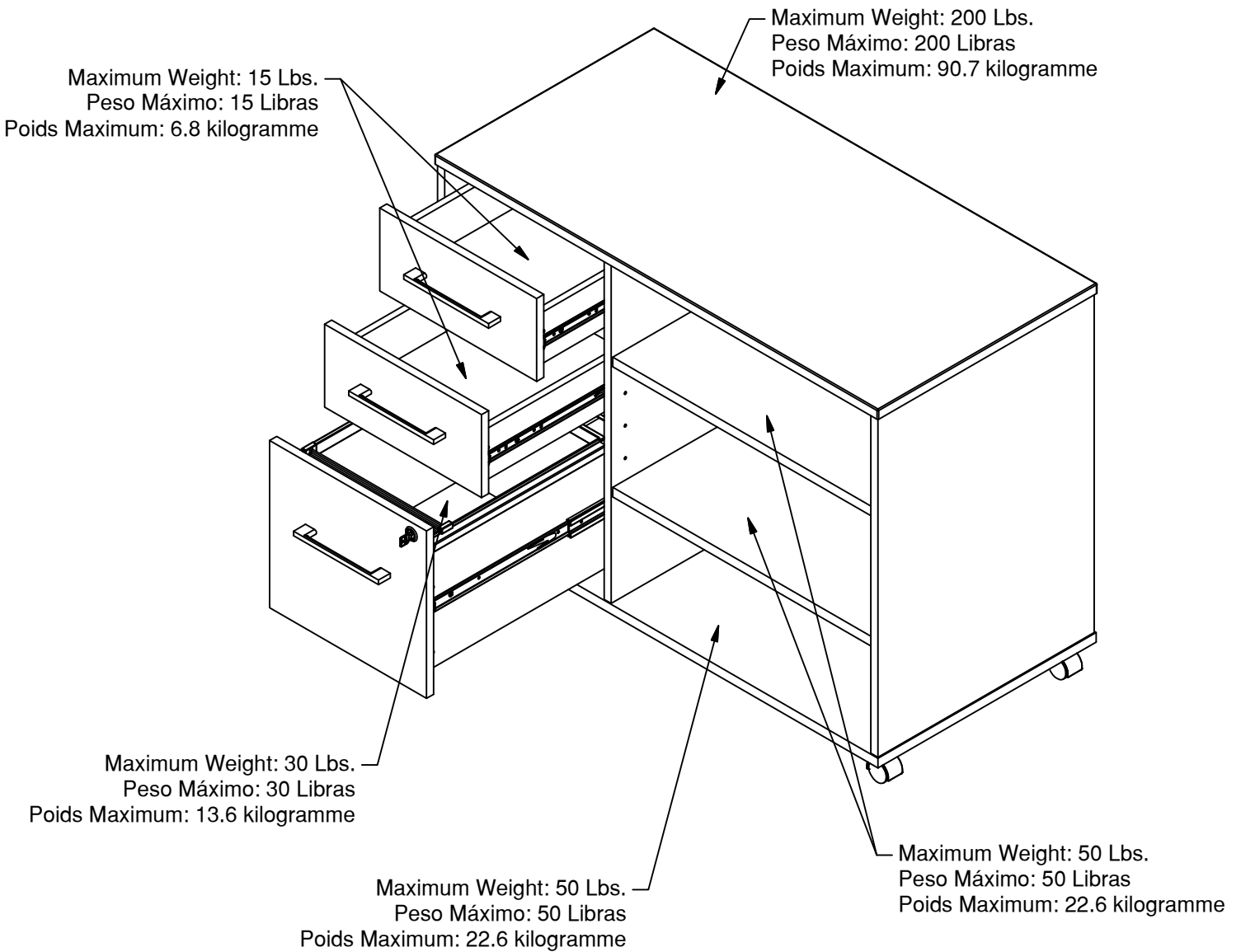
Have an assembly question or need a replacement part? Just call
1-800-950-4782, we are here to help.

Scan QR Code to Watch Video on:



How to Clean the Surface

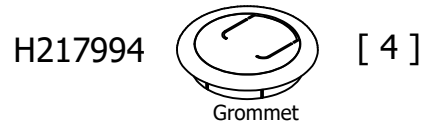
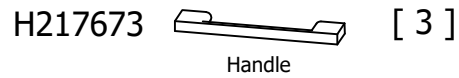
Gently clean surfaces with a damp sponge eraser.



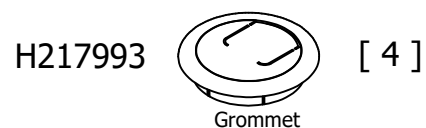
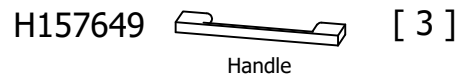
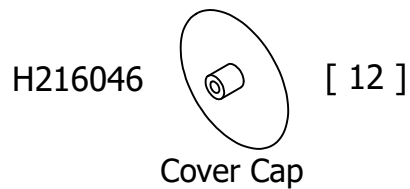
Congratulations! You are all done. If you have any questions or concerns, please call.

Have an assembly question or need a replacement part? Just call **1-800-950-4782**, we are here to help.

HUF140WH		
LABEL	QTY	PART NUMBER
A	1	W216548
B	1	W216549
C	1	W216550
D	1	W216551
E	3	W87410
F	1	W192433
G	2	W216553
H	1	W216554
J	2	W216555
K	4	W107675
L	2	W128623
M	1	W216557
N	2	W216556
P	2	W192560



HUF140NE		
LABEL	QTY	PART NUMBER
A	1	W217870
B	1	W217871
C	1	W217872
D	1	W217873
E	3	W87410
F	1	W192433
G	2	W217875
H	1	W217876
J	2	W217877
K	4	W107675
L	2	W128623
M	1	W217779
N	2	W217878
P	2	W192560



HUF140PG		
LABEL	QTY	PART NUMBER
A	1	W217880
B	1	W217881
C	1	W217882
D	1	W217883
E	3	W87410
F	1	W192433
G	2	W217885
H	1	W217886
J	2	W217887
K	4	W107675
L	2	W128623
M	1	W217772
N	2	W217888
P	2	W192560

