

Monoprice™
UNIVERSAL BOOKSHELF MOUNTS FOR SPEAKERS

P/N **44896**
User Manual

SAFETY WARNINGS AND GUIDELINES

Please read this entire manual before using this device, paying extra attention to these safety warnings and guidelines. Please keep this manual in a safe place for future reference.

- These mounts are intended for indoor use only.
- Do not expose these mounts to water or moisture of any kind. Do not place drinks or other containers with moisture on or near them. If moisture does get in or on the mounts, allow to fully dry before using them again.
- Do not expose these mounts to excessively high temperatures. Do not place them in, on, or near heat sources, like a fireplace, stove, radiator, etc. Do not leave them in direct sunlight.
- Do not place or install these mounts in an area where they can be exposed to excessive amounts of dust, humidity, oil, smoke, or combustible vapors.
- Carefully open the box, remove contents, and lay them out on the cardboard or another protective surface to avoid damage.
- Prior to operation, check the mounts for physical damage. Do not use them if there is physical damage.
- Do not use chemical cleaners or solvents to clean these mounts. Use only a soft cloth that's slightly moistened with warm water.
- These mounts have no user-serviceable parts. Do not attempt to open, service, or modify them.

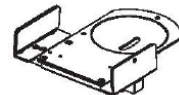
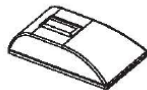
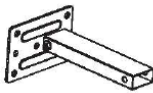
Table of Contents

SAFETY WARNINGS AND GUIDELINES.....	2
PACKAGE CONTENTS.....	3
REQUIRED TOOLS.....	3
PRE-INSTALLATION.....	4
INSTALLATION.....	5
REGULATORY COMPLIANCE.....	9
NOTICE FOR FCC.....	9
NOTICE FOR ISED CANADA.....	10
DISPOSAL AND RECYCLING INFORMATION.....	10

PACKAGE CONTENTS

Take an inventory of the package contents to make sure you have all the items listed below.

Please contact Monoprice Customer Service for a replacement if anything is missing or damaged.



- 2x Wall Bracket (**A**)
- 2x Wall Bracket Cover (**B**)

- 2x Tilting End Cap (**C**)
- 2x Speaker Platform (**D**)



- 2x M8 x 60 mm Bolt (**E**)
- 2x Plastic Washer (**F**)
- 2x M8 Washer (**G**)
- 2x M8 Nut (**H**)
- 10x M4 x 12 mm Wood Screw (**I**)

- 8x M6 x 45 mm Lag Bolt (**J**)
- 8x Lag Bolt Washer (**K**)
- 8x M8 x 40 mm Concrete Anchor (**L**)
- 1x Wrench (**M**)

REQUIRED TOOLS

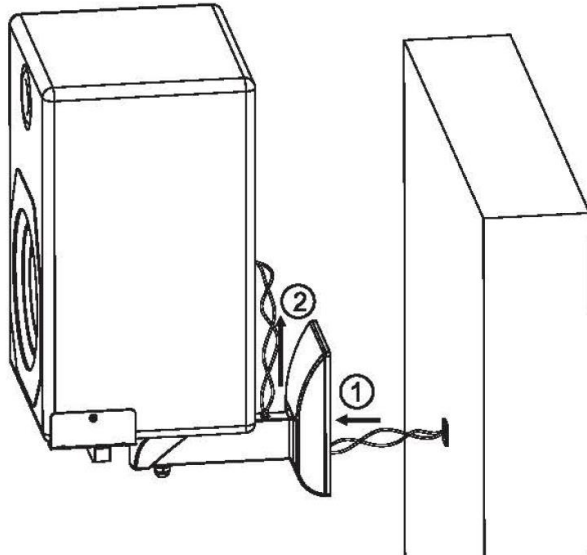
- 3.8 mm Drill Bit
- 8 mm Masonry Bit
- Phillips Screwdriver
- Carpenter's Level

PRE-INSTALLATION

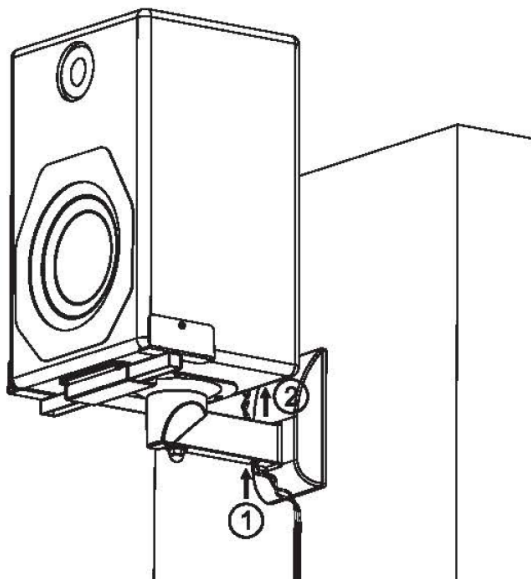
These mounts must be securely attached to a wall. They may fall and cause injury and/or damage if they are not properly installed.

OPTIONAL SPEAKER WIRE MANAGEMENT

A. Wires Concealed Inside the Wall

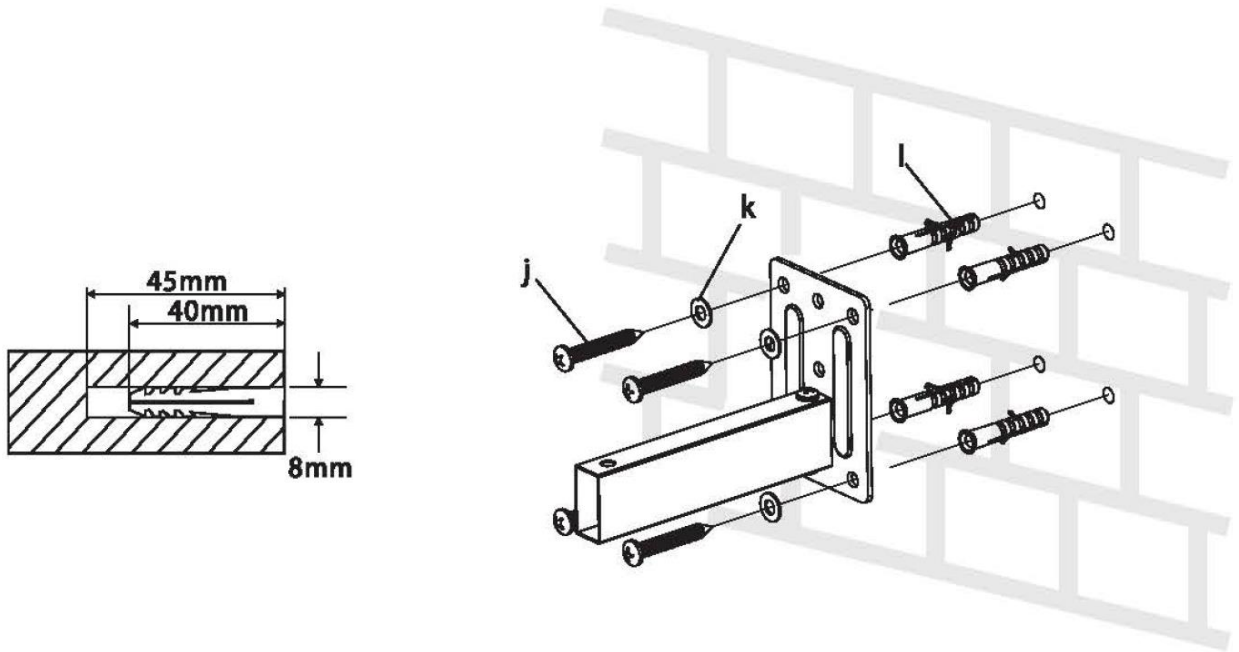


B. Wires Exposed Outside the Wall

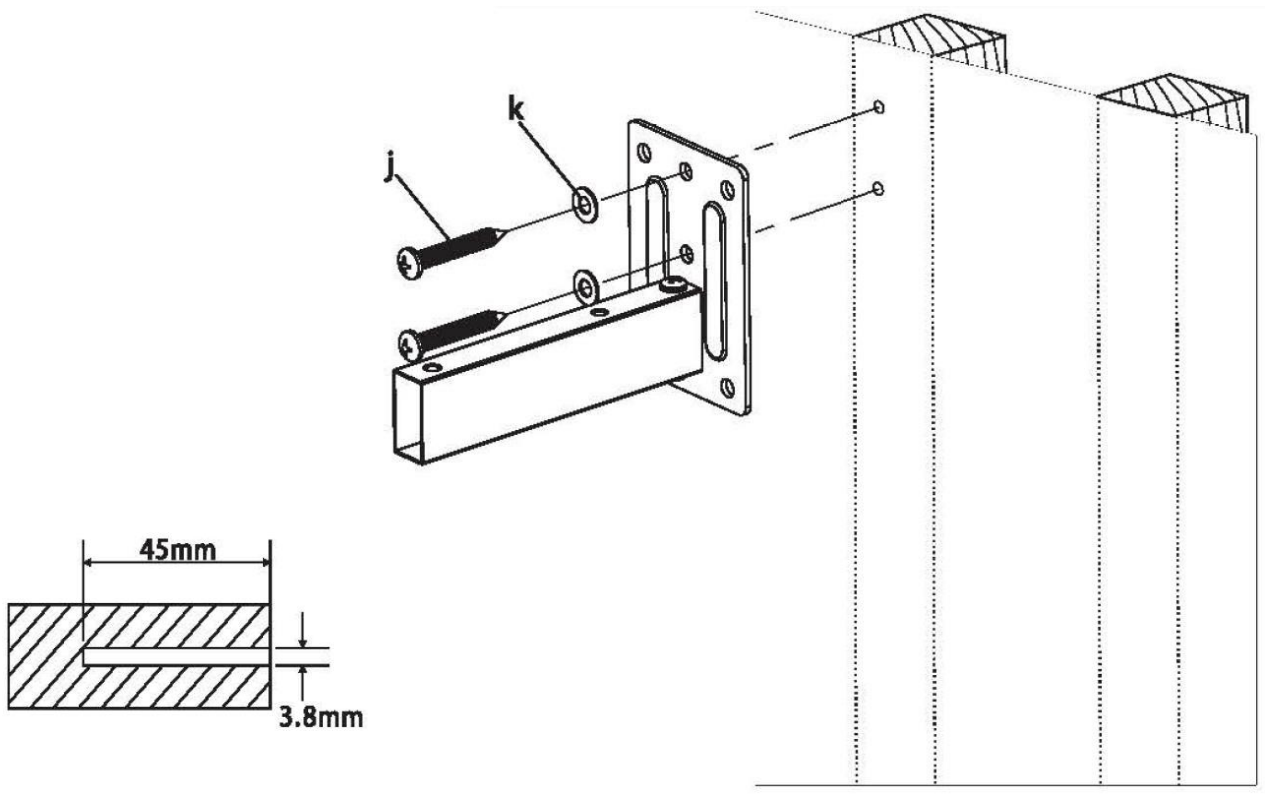


INSTALLATION

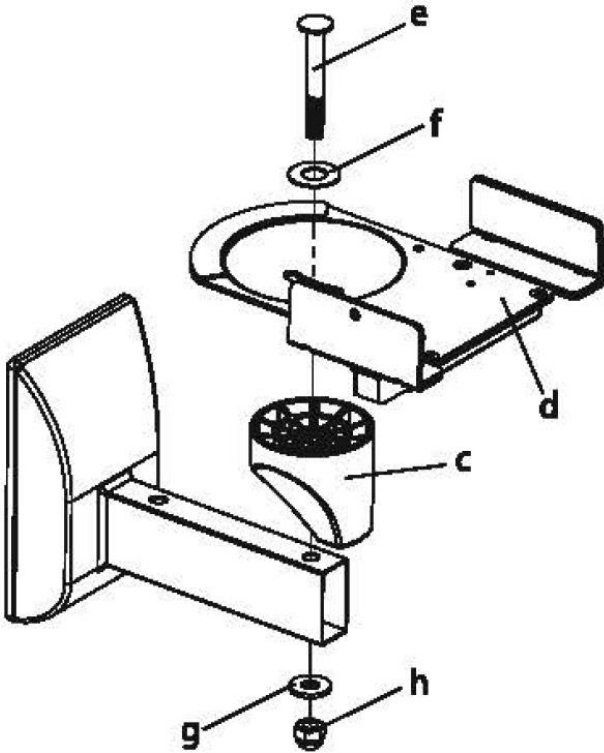
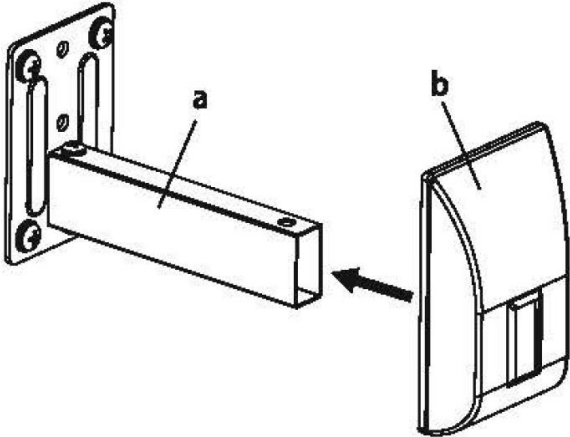
- 1. Mount the bracket (A) to the wall.
 - a. Brick Mount



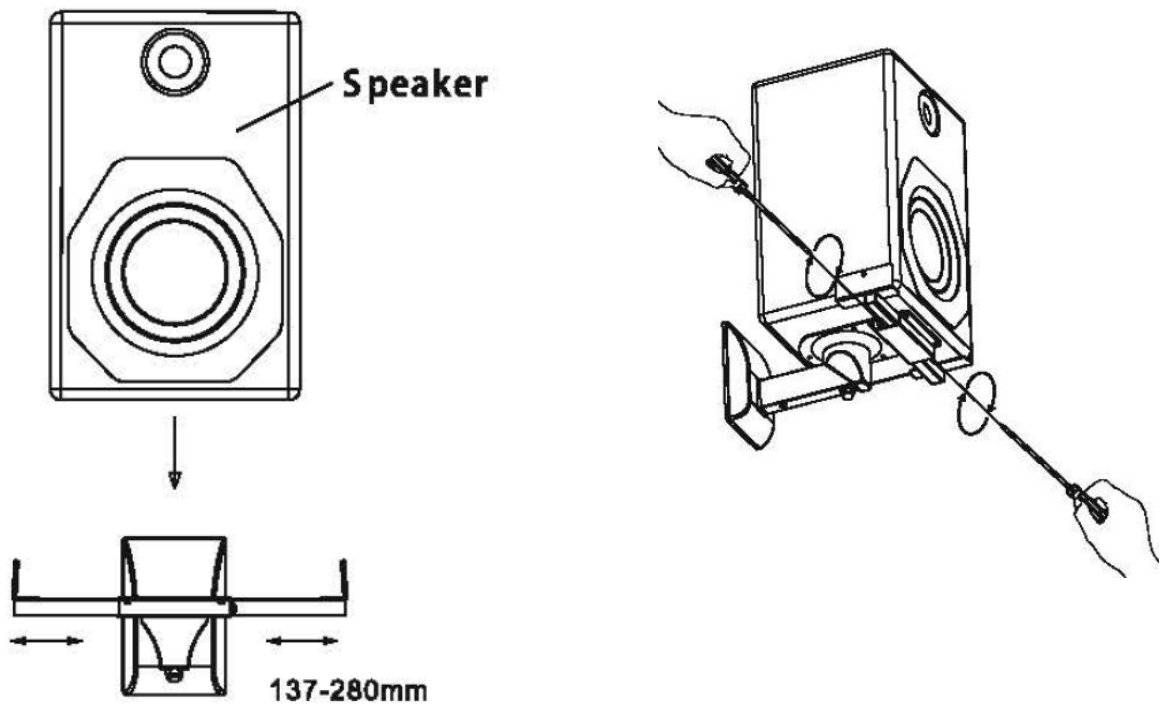
- b. Wood Mount



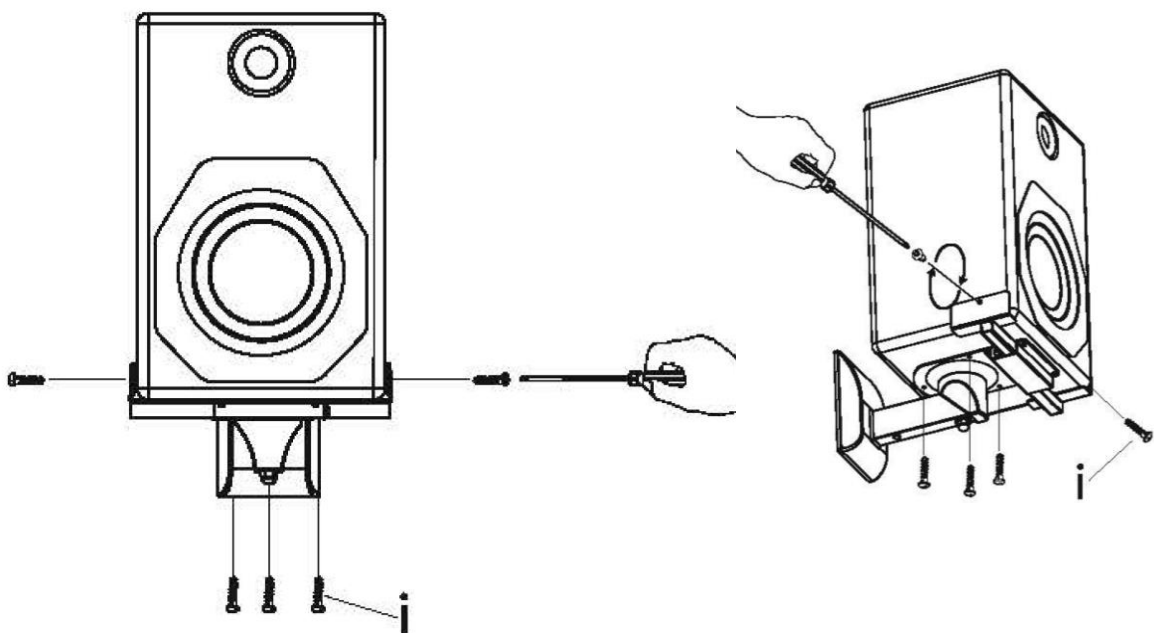
2. Attach the wall bracket cover (B) and the speaker platform (D) to the wall bracket (A).



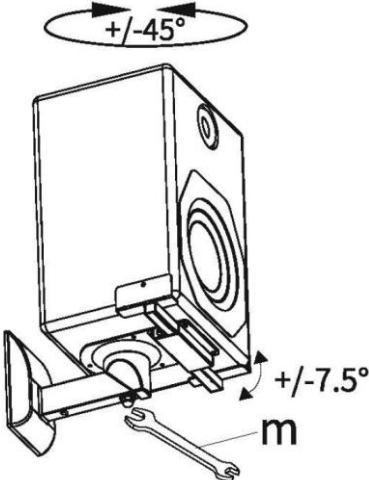
3. Place the speaker on the platform (D).
a. Adjust the clamps of the platform (D) to hold the speaker in place.



- b. Secure the speaker using the M4 x 12 mm wood screws (I)



4. Adjust the tilting angle and swing the speaker.



Congratulations! You have properly installed and assembled your bookshelf speaker mounts.

CUSTOMER SERVICE

The Monoprice Customer Service department is dedicated to ensuring that your ordering, purchasing, and delivery experience is second to none. If you have any problems with your order, please give us an opportunity to make it right. You can contact a Monoprice Customer Service representative through the Live Chat link on our website **www.monoprice.com** or via email at **support@monoprice.com**. Check the website for support times and links.

TECHNICAL SUPPORT

Monoprice™ is pleased to provide free, live, online technical support to assist you with any questions you may have about installation, setup, troubleshooting, or product recommendations. If you ever need assistance with your new product, please come online to talk to one of our friendly and knowledgeable Tech Support Associates. Technical support is available through the online chat button on our website **www.monoprice.com** or through email by sending a message to **tech@monoprice.com**. Check the website for support times and links.

To download the latest drivers, firmware, manuals, etc., go to **www.monoprice.com** and type **44896** into the search bar. If available, support files are linked at the bottom of the product page.

REGULATORY COMPLIANCE

Notice for FCC



This device complies with Part 15 of the FCC rules. Operation is subject to the following two conditions: (1) this device may not cause harmful interference, and (2) this device must accept any interference received, including interference that may cause undesired operation.

Modifying the equipment without Monoprice's authorization may result in the equipment no longer complying with FCC requirements for Class B digital devices. In that event, your right to use the equipment may be limited by FCC regulations, and you may be required to correct any interference to radio or television communications at your own expense.

This equipment has been tested and found to comply with the limits for a Class B digital device, pursuant to Part 15 of the FCC Rules. These limits are designed to provide reasonable protection against harmful

interference in a residential installation. This equipment generates, uses, and can radiate radio frequency energy and, if not installed and used in accordance with the instructions, may cause harmful interference to radio communications. However, there is no guarantee that interference will not occur in a particular installation. If this equipment does cause harmful interference to radio or television reception, which can be determined by turning the equipment off and on, the user is encouraged to try to correct the interference by one or more of the following measures:

- Reorient or relocate the receiving antenna.
- Increase the separation between the equipment and the receiver.
- Connect the equipment to an outlet on a circuit different from that to which the receiver is connected.
- Consult the dealer or an experienced radio/TV technician for help.

Notice for ISED Canada

This Class B digital apparatus complies with Canadian ICES-003.

Cet appareil numérique de la classe B est conforme à la norme NMB-003 du Canada.

Disposal and Recycling Information



The symbol indicates that this product should be disposed of separately from regular household waste streams. It is your responsibility to dispose of this and other electrical and electronic products via designated collection facilities appointed by the government or local authorities. Correct disposal and recycling will help prevent potential negative consequences to the environment and human health. For more detailed information about the disposal of your unwanted product, please contact your local authorities, waste disposal service, or the shop where you purchased the product.



TECHNOLOGY AT PRICES THAT MAKE SENSE

www.monoprice.com

Need Help? We're here for you!

Contact us: www.monoprice.com/contactus

Product pictures are for reference only.

Specifications described herein are subject to change without prior notification.

Monoprice™ and all Monoprice logos are trademarks of Monoprice Inc.

Copyright © 2023 Monoprice, Inc. All rights reserved.

Monoprice, Inc.

1 Pointe Drive, Suite 400

Brea, CA 92821 – USA

www.monoprice.com