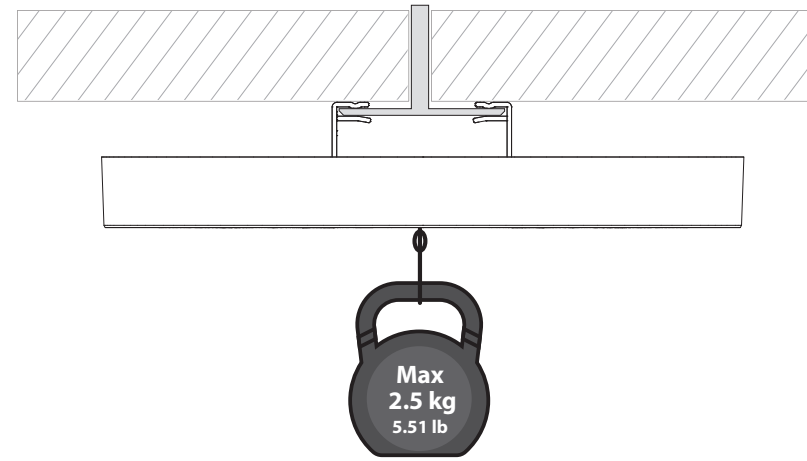


# Tile Grid Ceiling Mount

SBP-140CMT

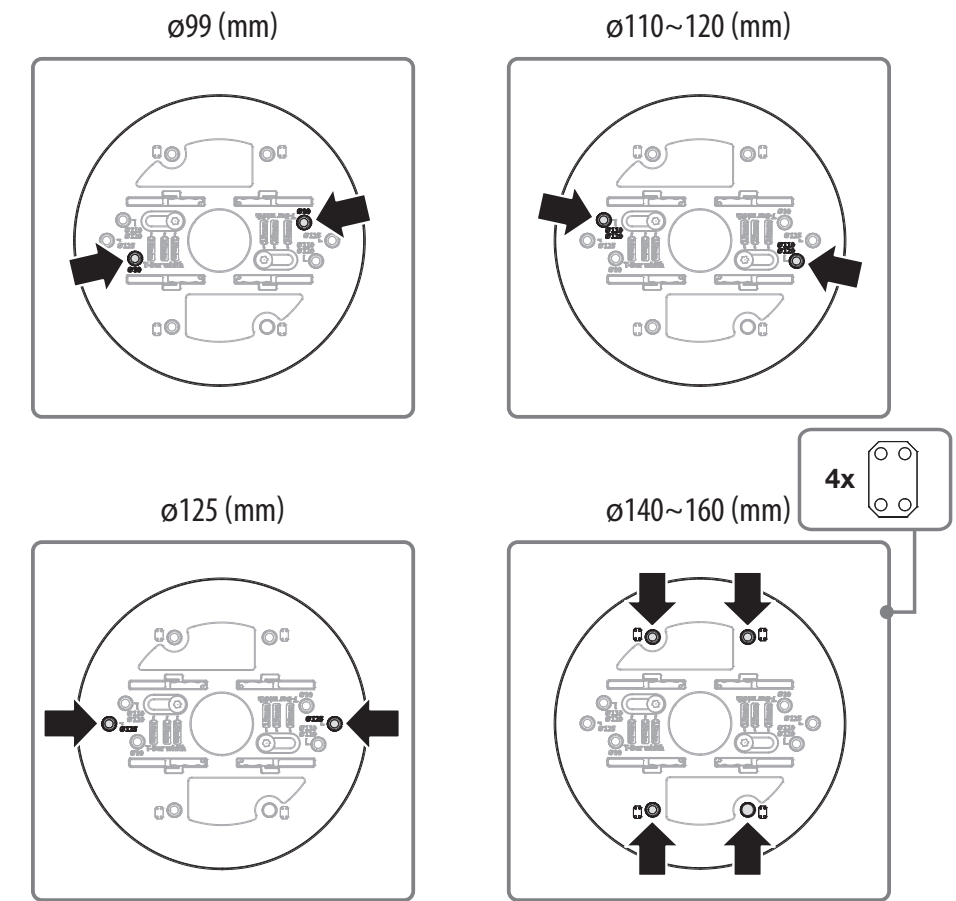


## Installation Precautions

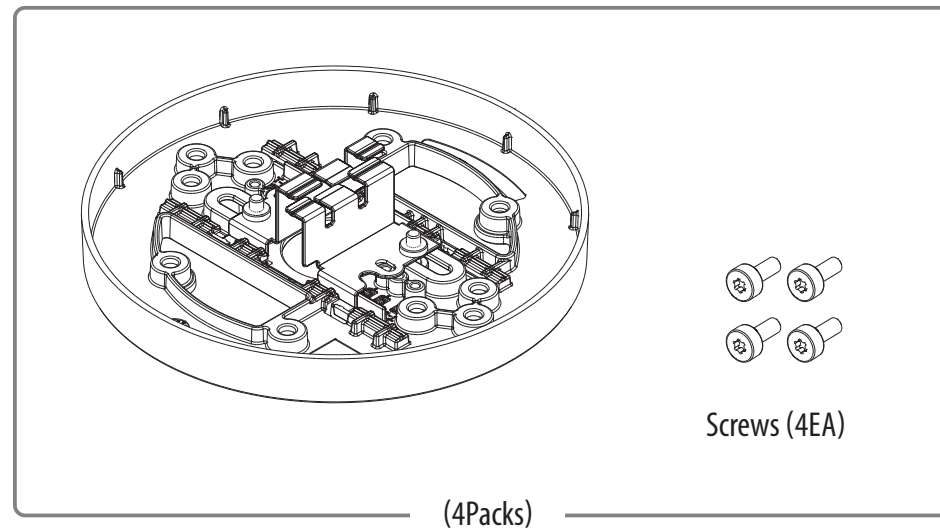


- Use the provided screws to install the Mount and camera.
- To move the location of the mount on T-bar, remove it completely and install the product again.

## Mounting Hole by Camera Size

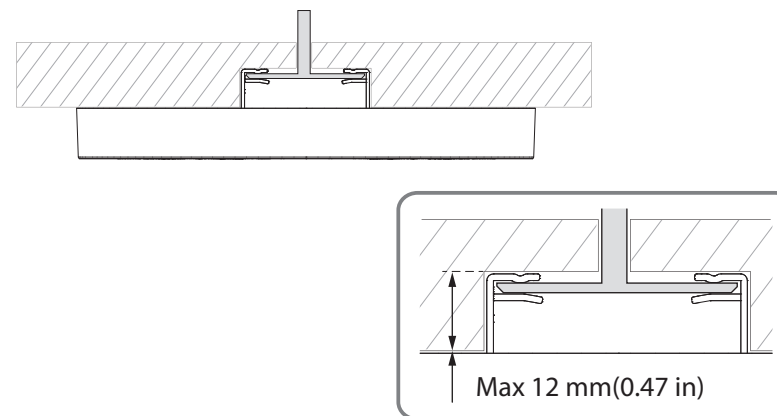


## Package

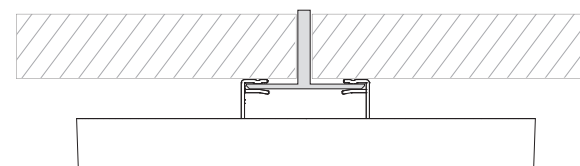


## Mounting Standards

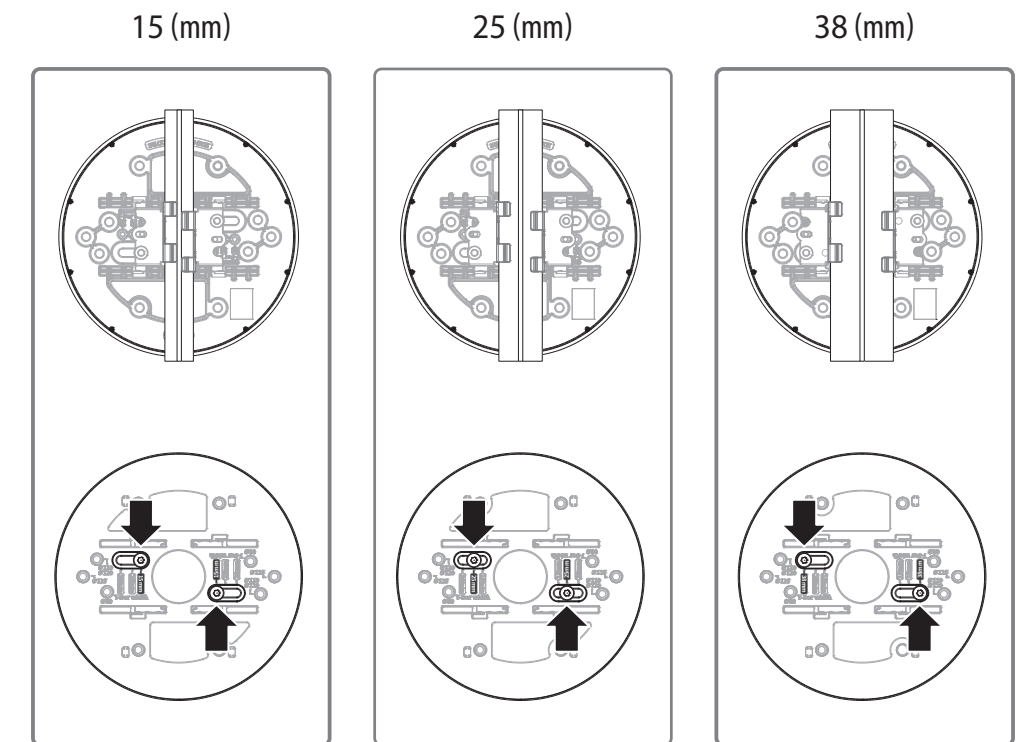
### Tegular type



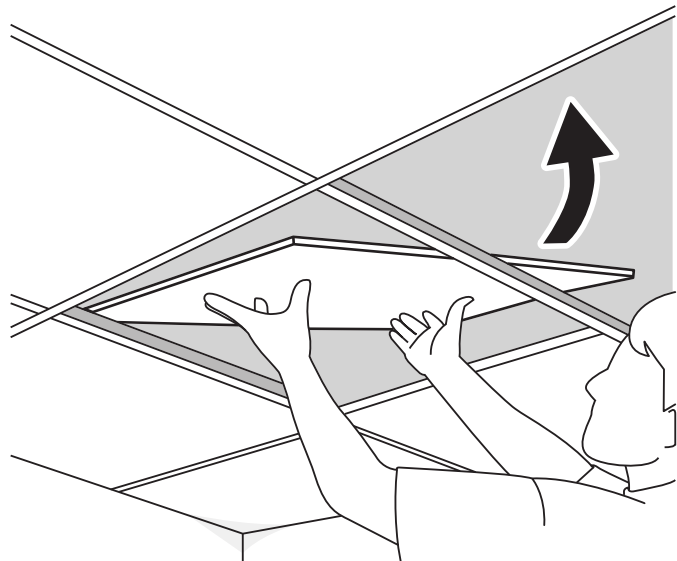
### Lay-in type



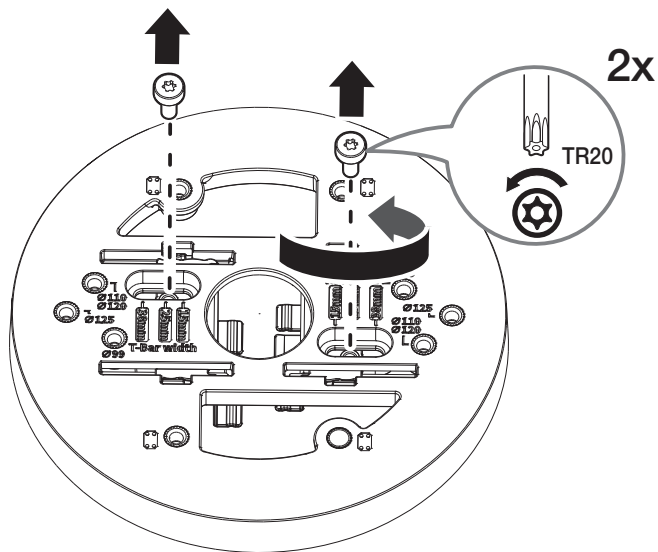
### T-Bar width



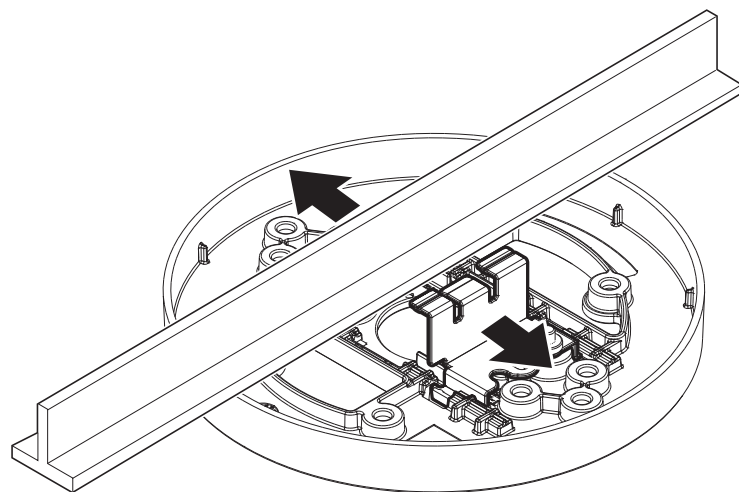
1



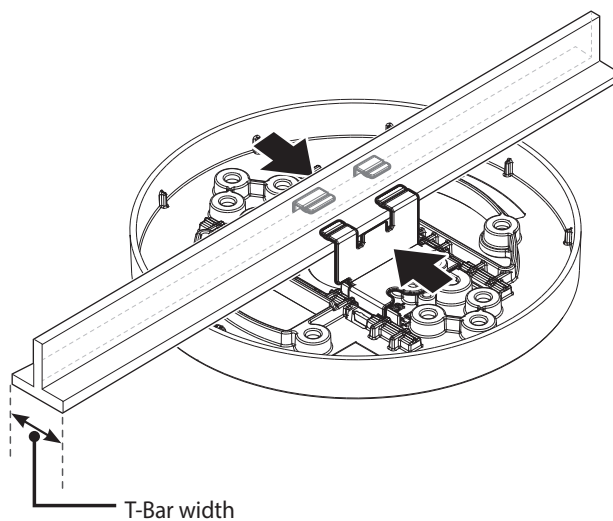
**T-bar width : 38 mm**



2

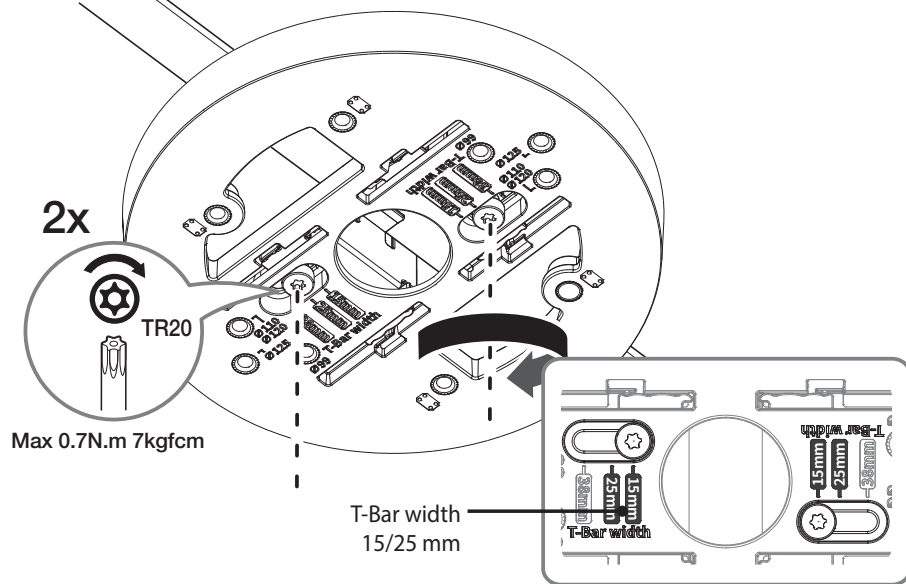


3



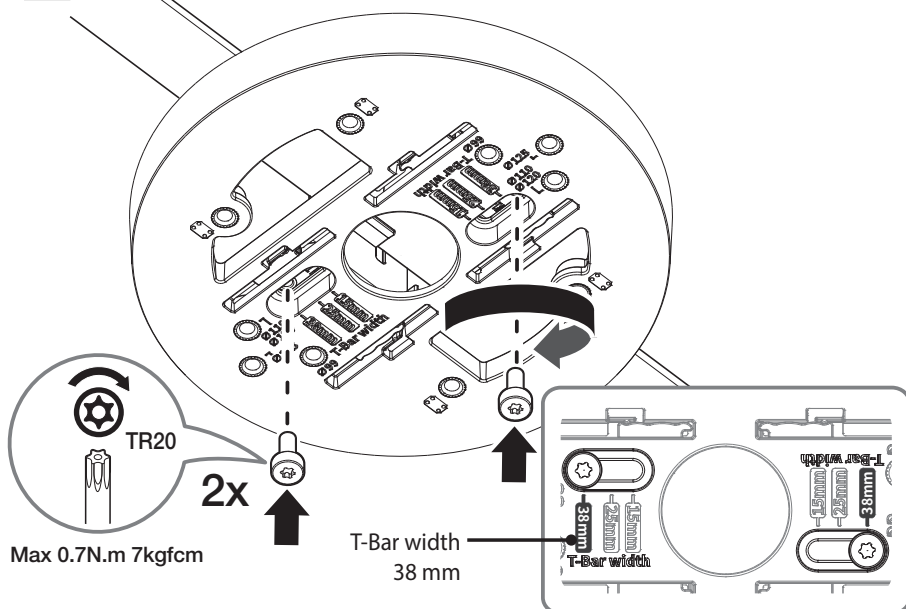
4-1

**T-bar width : 15/25 mm**

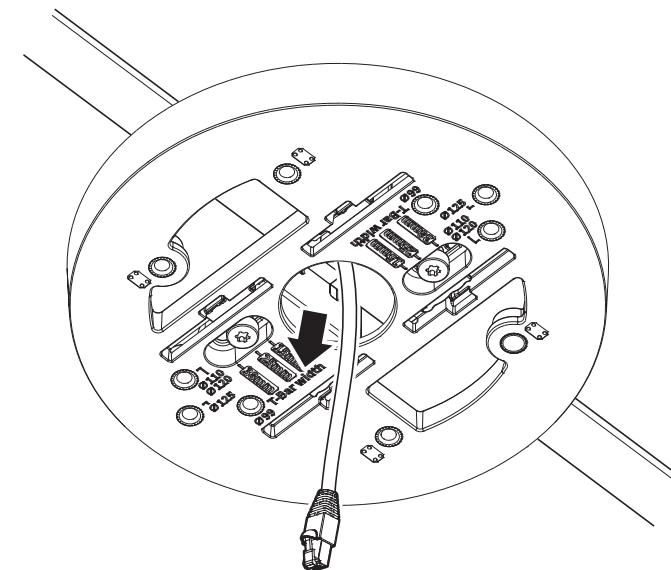


4-2

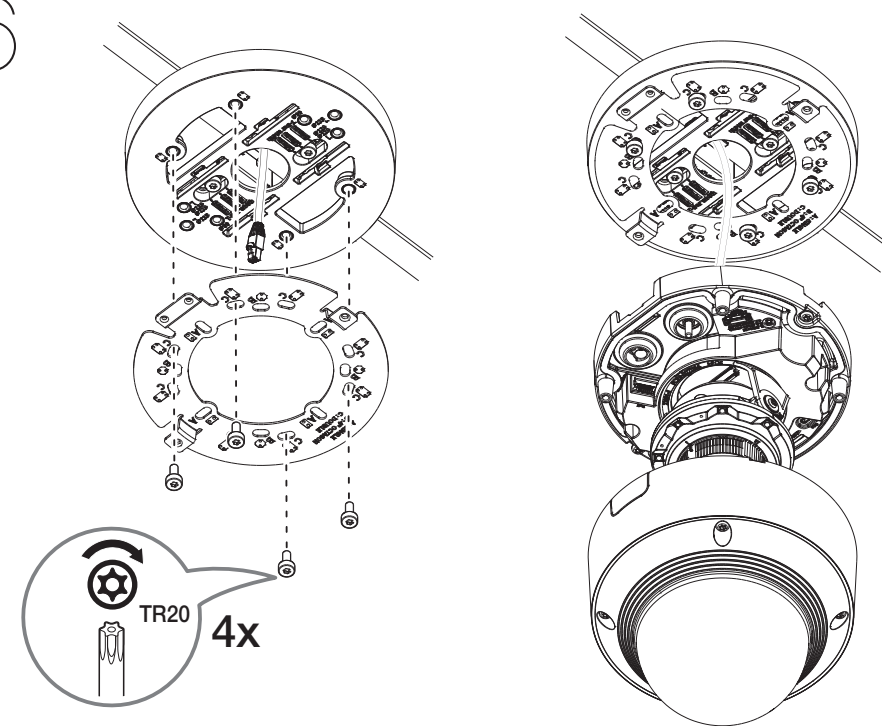
**T-bar width : 38 mm**



5



6



7

