

# HPE Networking Instant On Access Point AP21

Installation Guide

Instant 



**Hewlett Packard**  
Enterprise

## **Copyright Information**

© Copyright 2023 Hewlett Packard Enterprise Development LP.

## **Open Source Code**

This product includes code licensed under certain open source licenses which require source compliance. The corresponding source for these components is available upon request. This offer is valid to anyone in receipt of this information and shall expire three years following the date of the final distribution of this product version by Hewlett Packard Enterprise Company. To obtain such source code, please check if the code is available in the HPE Software Center at <https://myenterpriselicense.hpe.com/cwp-ui/software> but, if not, send a written request for specific software version and product for which you want the open source code. Along with the request, please send a check or money order in the amount of US \$10.00 to:

Hewlett Packard Enterprise Company  
Attn: General Counsel  
WW Corporate Headquarters  
1701 E Mossy Oaks Rd, Spring, TX 77389  
United States of America



---

<b>Contents</b> .....	<b>1</b>
<b>About This Guide</b> .....	<b>2</b>
Guide Overview .....	2
Support Information .....	2
<b>Hardware Overview</b> .....	<b>3</b>
Package Contents .....	3
Hardware Overview .....	4
System Status LED .....	4
Radio Status LED .....	5
Ethernet Port .....	6
Reset Button .....	6
Power Sources .....	6
<b>Installation</b> .....	<b>7</b>
Before You Begin .....	7
Identifying Specific Installation Locations .....	8
Software .....	9
Access Point Installation .....	9
Verifying Post-Installation Connectivity .....	11
<b>Safety and Regulatory Compliance</b> .....	<b>12</b>
Regulatory Model Name .....	12
Brazil .....	12
Canada .....	12
EAC .....	13
European Union and United Kingdom .....	13
Japan .....	14
Medical .....	14
Taiwan .....	15
Ukraine .....	15
United States .....	16
Proper Disposal of Hewlett Packard Enterprise Equipment .....	17

This document describes the hardware features of the HPE Networking Instant On Access Point AP21. It provides a detailed overview of the physical and performance characteristics of the HPE Networking Instant On Access Point AP21 and explains how to install the HPE Networking Instant On Access Point AP21.

## Guide Overview

- [Hardware Overview](#) provides a detailed hardware overview of the HPE Networking Instant On Access Point AP21.
- [Installation](#) describes how to install the HPE Networking Instant On Access Point AP21 .
- [Safety and Regulatory Compliance](#) lists the HPE Networking Instant On Access Point AP21's safety and regulatory compliance information.

## Support Information

**Table 1:** *Contact Information*

Main Site	<a href="https://www.arubainstanton.com">https://www.arubainstanton.com</a>
Support Site	<a href="https://www.arubainstanton.com/contact-support">https://www.arubainstanton.com/contact-support</a>
Community	<a href="https://community.arubainstanton.com">https://community.arubainstanton.com</a>

**HPE Networking Instant On Access Point AP21** supports the IEEE 802.11ax WLAN standard (Wi-Fi 6), while also supporting IEEE 802.11 a/b/g/n/ac wireless services.

## Package Contents

Inform your supplier if there are any incorrect, missing, or damaged parts. If possible, retain the carton, including the original packing materials. Use these materials to repack and return the unit to the supplier if needed.

Item	Quantity
HPE Networking Instant On Access Point AP21	1
Wall/Ceiling mount bracket	1
Cat 5e Ethernet cable, 1.5 m	1



---

If you have ordered HPE Networking Instant On Access Point AP21 bundle, the package would also include a power supply unit to power the AP through an electrical power outlet.

---

# Hardware Overview

Figure 1 Front View



1	System Status LED
2	Radio Status LED

The LED displays located on the front panel of the access point indicate the system and radio status of the access point. The system and radio status can be turned on or off by the system management software.

## System Status LED

Table 2: System Status LED

Color/State	Meaning
No lights	The AP has no power.
Green- blinking 1	The AP is booting, not ready.
Green- solid	The AP is ready, fully functional, no network restrictions.
Green/Amber - alternating <sup>2</sup>	The AP is ready for configurations.

Color/State	Meaning
Amber- solid	The AP has detected a problem.
Red- solid	The AP has an issue - immediate action required.

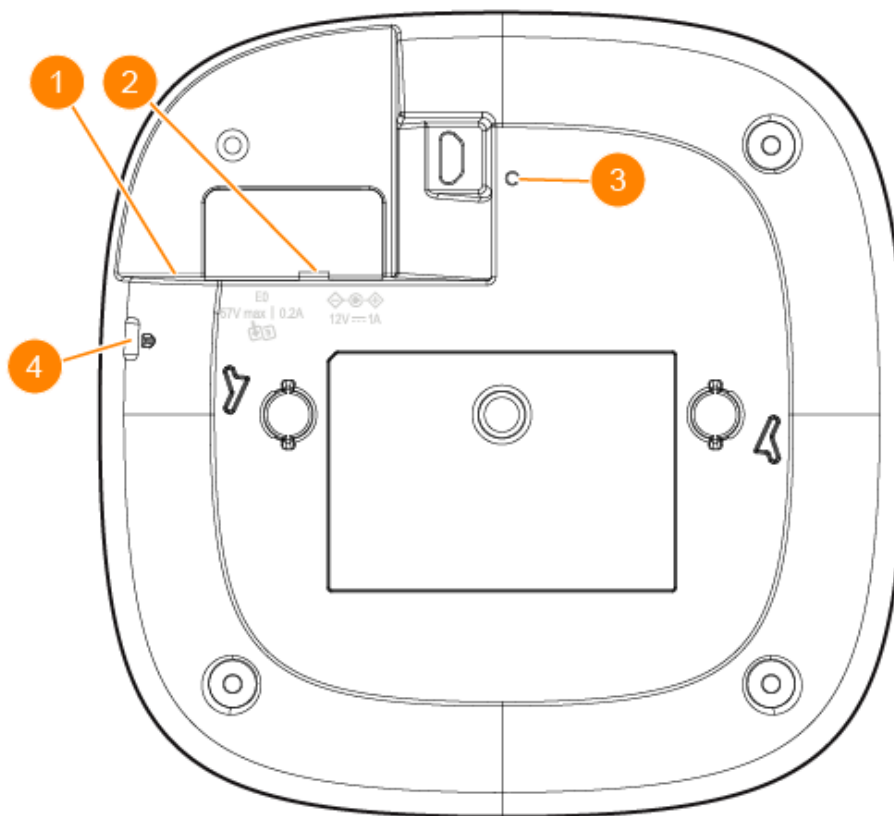
1. Blinking: one second on, one second off, 2-seconds cycle.
2. Alternating: one second for each color, 2-second cycle.

## Radio Status LED

**Table 3: Radio Status LED**

Color/State	Meaning
No lights	Wi-Fi is not ready, wireless clients cannot connect.
Green - solid	Wi-Fi is ready, wireless clients can connect.

**Figure 2 Rear View**



1	Ethernet Port (E0)
2	DC Power Port

3	Reset Button
4	Kensington Lock

## Ethernet Port

The HPE Networking Instant On Access Point AP21 is equipped with one active Ethernet port (E0). This port 100/1000 Base-T, auto-sensing MDI/MDX, which supports uplink connectivity when linked by an Ethernet cable. The E0 port supports PoE-in, allowing the AP to draw power from an 802.3af PoE power source.

## Reset Button

The reset button can be used to reset the access point to factory default settings. There are two ways to reset the access point to factory default settings:

- To reset the AP during normal operation, press and hold down the reset button using a small, narrow object such as a paper clip for more than 10 seconds during normal operation.
- To reset the AP while powering up, follow these steps:
  1. Press and hold down the reset button, using a small and narrow object such as a paper clip, while the access point is not powered on (either through DC power or PoE).
  2. Connect the power supply (DC or PoE) to the access point while the reset button is being held down.
  3. Release the reset button on the access point after 15 seconds.

## Power Sources

### DC Power

A 12V/18W power adapter can be used to power the HPE Networking Instant On Access Point AP21. The power adapter is included in the box if you buy the HPE Networking Instant On Access Point AP21 with power adapter bundle. To order the power adapter separately, use the part number R9M78A for AP21 US and EU SKUs, and the part number R9M79A for AP21 RW SKUs.

### PoE

When both PoE and DC power sources are available, the DC power source has priority over any PoE supplied to E0.



---

All Hewlett Packard Enterprise access points should be professionally installed by a professional installer. The installer is responsible for ensuring that grounding is available and meets applicable national and electrical codes. Failure to properly install this product may result in physical injury and/or damage to property.

---



CAUTION

Tous les points d'accès Hewlett Packard Enterprise doivent impérativement être installés par un professionnel agréé. Ce dernier doit s'assurer que l'appareil est mis à la terre et que le circuit de mise à la terre est conforme aux codes électriques nationaux en vigueur. Le fait de ne pas installer correctement ce produit peut entraîner des blessures corporelles et / ou des dommages matériels.

---



CAUTION

Use of accessories, transducers and cables other than those specified or provided by the manufacturer of this equipment could result in increased electromagnetic emissions or decreased electromagnetic immunity of this equipment and result in improper operation.

---



CAUTION

For indoor use only. The access point, AC adapter, and all connected cables are not to be installed outdoors. This stationary device is intended for stationary use in partly temperature controlled weather-protected environments (class 3.2 per ETSI 300 019).

---

## Before You Begin

Refer to the sections below before beginning the installation process.



CAUTION

**FCC Statement:** Improper termination of access points installed in the United States configured to non-US model controllers will be in violation of the FCC grant of equipment authorization. Any such willful or intentional violation may result in a requirement by the FCC for immediate termination of operation and may be subject to forfeiture (47 CFR 1.80).

---

## Pre-Installation Checklist

Before installing the access point, ensure that you have the following:

- A mount kit compatible with the AP and mount surface
- One Cat5E or better UTP cable with network access
- Optional items:

- A compatible power adapter with power cord
- A compatible PoE midspan injector with power cord

Refer to the HPE Networking Instant On Access Point AP21 data sheet for compatible items, quantities needed, etc.

## Identifying Specific Installation Locations



---

The HPE Networking Instant On Access Point AP21 is designed in compliance with governmental requirements, so that only authorized network administrators can change configuration settings. For more information about AP configuration, refer to the Instant On User Guide.

---



---

Use of this equipment adjacent to or stacked with other equipment should be avoided because it could result in improper operation. If such use is necessary, this equipment and the other equipment should be observed to verify that they are operating normally.

---

Use the access point placement map generated by Hewlett Packard Enterprise RF Plan software application to determine the proper installation location(s). Each location should be as close as possible to the center of the intended coverage area and should be free from obstructions or obvious sources of interference. These RF absorbers/reflectors/interference sources will impact RF propagation and should be accounted for during the planning phase and adjusted for in RF plan.

## Identifying Known RF Absorbers/Reflectors/Interference Sources

Identifying known RF absorbers, reflectors, and interference sources while in the field during the installation phase is critical. Make sure that these sources are taken into consideration when you attach an access point to its fixed location.

RF absorbers include:

- Cement/concrete—Old concrete has high levels of water dissipation, which dries out the concrete, allowing for potential RF propagation. New concrete has high levels of water concentration in the concrete, blocking RF signals.
- Natural Items—Fish tanks, water fountains, ponds, and trees
- Brick

RF reflectors include:

- Metal Objects—Metal pans between floors, rebar, fire doors, air conditioning/heating ducts, mesh windows, blinds, chain link fences (depending on aperture size), refrigerators, racks, shelves, and filing cabinets.
- Do not place an access point between two air conditioning/heating ducts. Make sure that access points are placed below ducts to avoid RF disturbances.

RF interference sources include:

- Microwave ovens and other 2.4 or 5 GHz objects (such as cordless phones)
- Cordless headset such as those used in call centers or lunch rooms

## Software

For instructions on initial setup and software configuration, refer to the Instant On User Guide at <https://www.arubanetworks.com/techdocs/ArubaDocPortal/content/cons-instanton-home.htm>.

## Access Point Installation

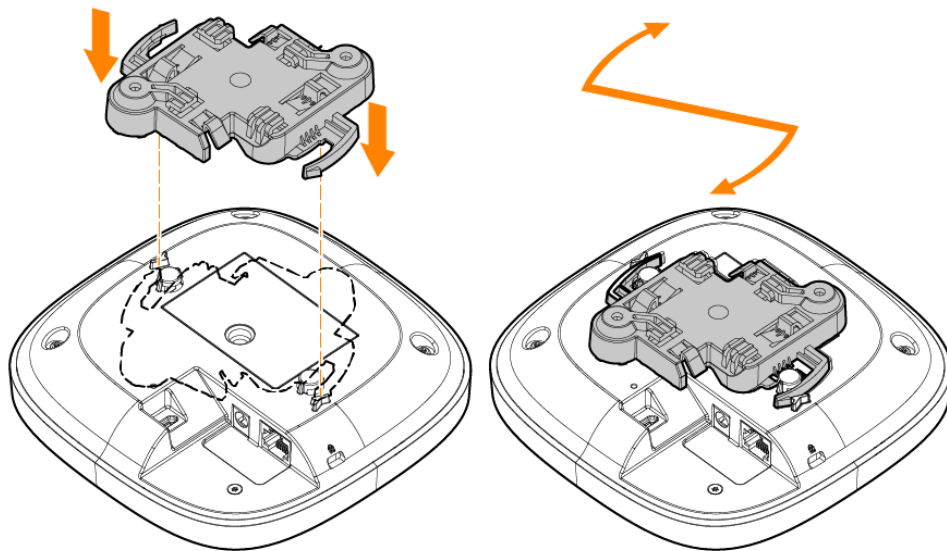
The HPE Networking Instant On Access Point AP21 ships with a mount bracket to install the access point to a 9/16" or 15/16" ceiling tile rail, or on a solid surface, such as a wall or a hard ceiling.

### Installing AP to Ceiling Rail

To install the AP21 access point to a ceiling rail, follow these steps:

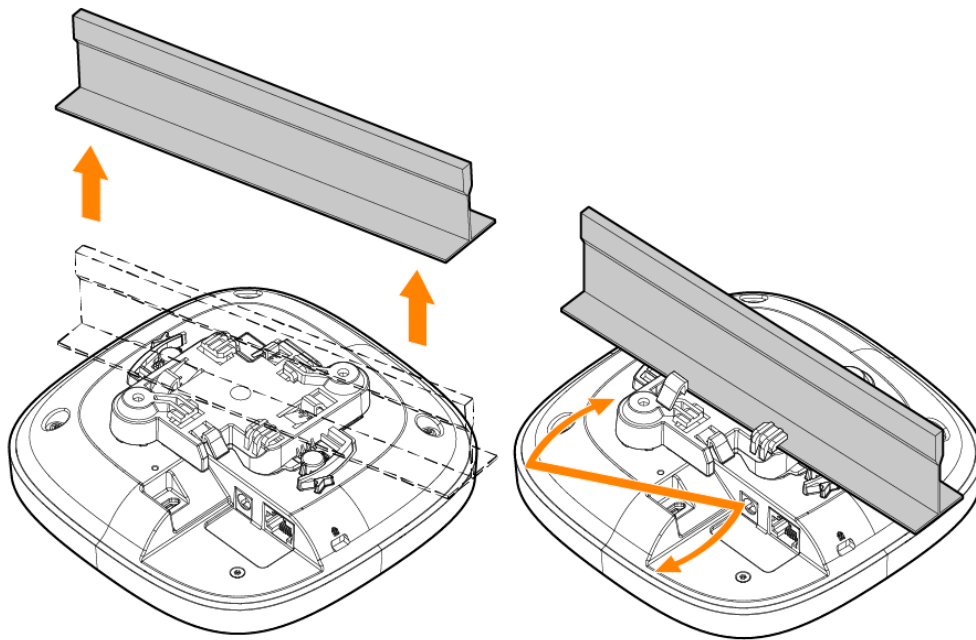
1. Pull the necessary cables through a prepared hole in the ceiling tile near where the access point will be placed.
2. Place the mount bracket against the back of the access point with the mount bracket at an angle of approximately 30 degrees to the tabs.
3. Twist the mount bracket clockwise until it snaps into place in the tabs.

**Figure 3** Attaching Mount Bracket to AP

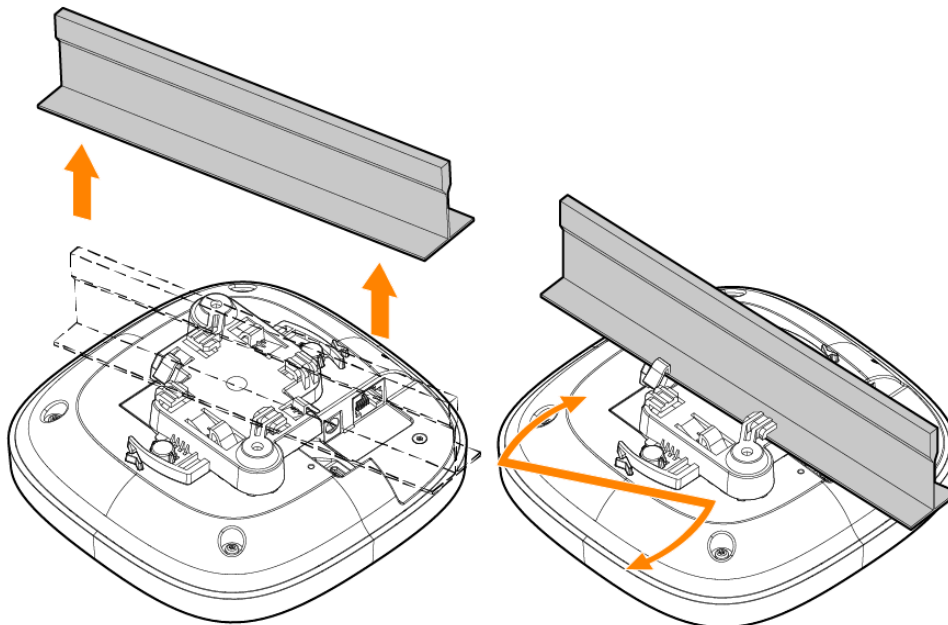


4. Hold the access point next to the ceiling rail with the mounting tabs of the mount bracket at approximately a 30-degree angle to the ceiling rail. Make sure that any cable slack is above the ceiling tile.
5. Pushing toward the ceiling rail, rotate the access point clockwise until it clicks into place on the ceiling rail.

**Figure 4** *Installing Access Point to 15/16" Ceiling Rail*



**Figure 5** *Installing Access Point to 9/16" Ceiling Rail*



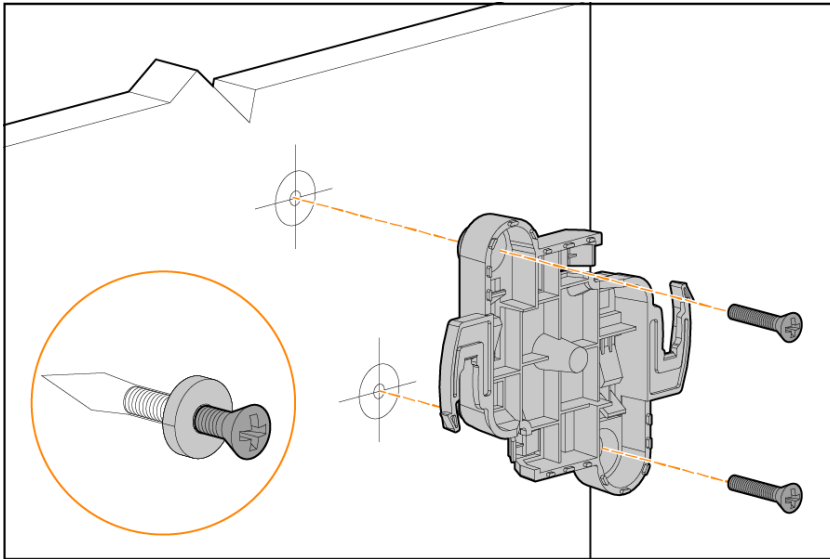
## Installing AP to Solid Surface

To install an access point to a solid surface, such as a wall or hard ceiling, follow these steps:

1. Use the mount bracket as a template to mark two mounting hole positions on the wall.
2. Drill holes at the two marked positions and install the wall anchors as per the installation instructions provided with the wall anchors.
3. Align the screw holes on the mount bracket with the corresponding wall anchors.

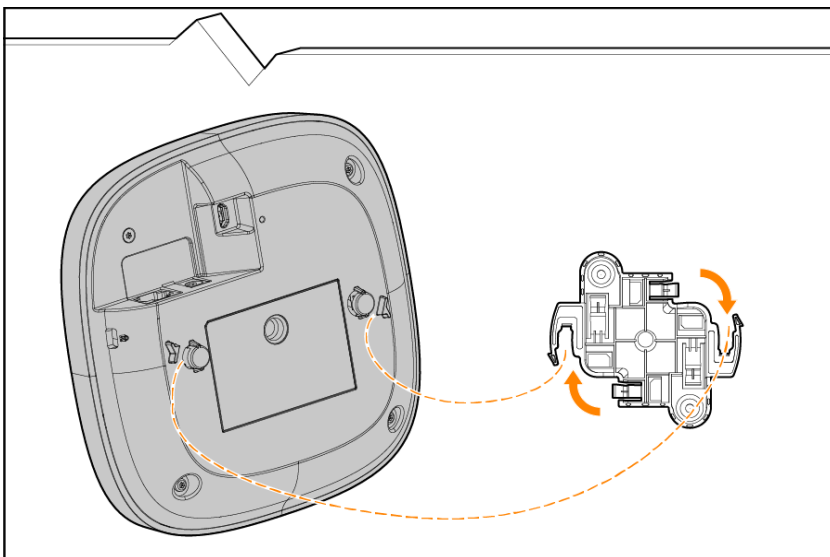
4. Use a Philips screwdriver to fasten the screws into the wall anchors to secure the mount bracket on the wall

**Figure 6** *Screwing Mount Bracket to Wall*



5. Align the access point with the mount bracket, placing the access point so that its mounting tabs are at an angle of approximately 30 degrees to the mount bracket.
6. Pushing towards the wall, rotate the access point clockwise until it clicks into place.

**Figure 7** *Attaching AP to Mount Bracket*



## Verifying Post-Installation Connectivity

The integrated LED on the access point can be used to verify that the access point is receiving power and initializing successfully .

This chapter provides an overview of the HPE Networking Instant On Access Point AP21 safety and regulatory compliance information.

## Regulatory Model Name

For the purpose of regulatory compliance certifications and identification, this product has been assigned a unique regulatory model number (RMN). The regulatory model number can be found on the product nameplate label, along with all required approval markings and information. When requesting compliance information for this product, always refer to this regulatory model number. The regulatory model number RMN is not the marketing name or model number of the product.

The regulatory model name for the HPE Networking Instant On Access Point AP21:

- AP21 RMN: APIN0503

## Brazil

Este equipamento não tem direito à proteção contra interferência prejudicial e não pode causar interferência em sistemas devidamente autorizados.

Para mais informações, consulte o site da Anatel: <https://www.gov.br/anatel/pt-br>

## Canada

### Innovation, Science and Economic Development Canada

This Class B digital apparatus meets all of the requirements of the Canadian Interference-Causing Equipment Regulations.

This device contains licence-exempt transmitter(s)/receiver(s) that comply with Innovation, Science and Economic Development Canada's licence-exempt RSS(s). Operation of this device is subject to the following two conditions: (1) this device may not cause interference, and (2) this device must accept any interference, including interference that may cause undesired operation.

When operated in the 5.15 to 5.25 GHz frequency range, this device is restricted to indoor use to reduce the potential for harmful interference with co-channel Mobile Satellite Systems.



---

Operation shall be limited to indoor use only.

---

# Innovation, Sciences et Développement économique Canada

Cet appareil numérique de Classe B répond à toutes les exigences de la réglementation canadienne sur le matériel brouilleur.

Cet appareil contient des émetteurs / récepteurs exemptés de licence qui sont conformes aux RSS exempts de licence d'Innovation, Sciences et Développement économique Canada. Son fonctionnement est soumis aux deux conditions suivantes: (1) ce périphérique ne doit pas provoquer d'interférences, et (2) ce périphérique doit accepter toute interférence, y compris les interférences susceptibles de provoquer un dysfonctionnement.

Pour un fonctionnement dans la bande de fréquences comprises entre 5,15 et 5,25 GHz, son utilisation est limitée à un environnement intérieur afin de réduire la possibilité d'interférences nuisibles avec les systèmes mobiles par satellite opérant sur le même canal.



---

Le fonctionnement est restreint à une utilisation à l'intérieur seulement.

---

## EAC

### Нормативные требования Евразийского Экономического Союза

ТОО «Хьюлетт-Паккард (К)», Республика Казахстан, 050040, г. Алматы, Бостандыкский район, проспект Аль-Фараби, 77/7, Телефон/факс: + 7 727 355 35 50

ЖШС «Хьюлетт-Паккард (К)», Қазақстан Республикасы, 050040, Алматы қ., Бостандық ауданы, Әл-Фараби даңғылы, 77/7, Телефон/факс: +7 727 355 35 50



## European Union and United Kingdom

The Declaration of Conformity made under Radio Equipment Directive 2014/53/EU as well as the United Kingdom's Radio Equipment Regulations 2017/UK is available for viewing below. Select the document that corresponds to your device's model number as it is indicated on the product label.

[EU & UK Declaration of Conformity](#)

Operations in the 6GHz band are blocked by firmware for some countries pending adoption of spectrum. Refer to DRT release notes for details.

## Wireless Channel Restrictions

5150-5350MHz band is limited to indoor only in the following countries; Austria (AT), Belgium (BE), Bulgaria (BG), Croatia (HR), Cyprus (CY), Czech Republic (CZ), Denmark (DK), Estonia (EE), Finland (FI), France (FR), Germany (DE), Greece (GR), Hungary (HU), Iceland (IS), Ireland (IE), Italy (IT), Latvia (LV), Liechtenstein (LI), Lithuania (LT), Luxembourg (LU), Malta (MT), Netherlands (NL), Norway (NO), Poland

(PL), Portugal (PT), Romania (RO), Slovakia (SK), Slovenia (SL), Spain (ES), Sweden (SE), Switzerland (CH), Turkey (TR), United Kingdom (UK (NI)).

Radio	Frequency Range	Max EIRP
Wi-Fi	2412-2472 MHz	20 dBm
	5150-5250 MHz	23 dBm
	5250-5350 MHz	23 dBm
	5470-5725 MHz	30 dBm
	5725-5850 MHz	14 dBm



EU & UK Regulatory Contact:

HPE, Postfach 0001, 1122 Wien, Austria

## Japan

この装置は、クラスB機器です。この装置は、住宅環境で使用することを目的としていますが、この装置がラジオやテレビジョン受信機に近接して使用されると、受信障害を引き起こすことがあります。

取扱説明書に従って正しい取り扱いをして下さい。

VCCI — B

## Medical

1. Equipment not suitable for use in the presence of flammable mixtures.
2. Connect to only IEC 62368-1 or IEC 60601-1 certified products and power sources. The end user is responsible for the resulting medical system complies with the requirements of IEC 60601-1.
3. Wipe with a dry cloth, no additional maintenance required.
4. No serviceable parts, the unit must be sent back to the manufacturer for repair.
5. No modifications are allowed without approval from Hewlett Packard Enterprise.



---

Use of this equipment adjacent to or stacked with other equipment should be avoided because it could result in improper operation. If such use is necessary, this equipment and the other equipment should be observed to verify that they are operating normally.

---



Use of accessories, transducers and cables other than those specified or provided by the manufacturer of this equipment could result in increased electromagnetic emissions or decreased electromagnetic immunity of this equipment and result in improper operation.

---

Portable RF communications equipment (including peripherals such as antenna cables and external antennas) should be used no closer than 30 cm (12 inches) to any part of the access point. Otherwise, degradation of the performance of this equipment could result.

---

---

This device is intended for indoor use in professional healthcare facilities.

---

---

This device has no IEC/EN60601-1-2 essential performance.

---

---

Compliance is based on the use of Hewlett Packard Enterprise approved accessories. Refer to the HPE Networking Instant On Access Point AP21 data sheet.

---



## Taiwan

### 第十二條

經型式認證合格之低功率射頻電機，非經許可，公司，商號或使用者均不得擅自變更頻率、加大功率或變更原設計之特性及功能。

### 第十四條

低功率射頻電機之使用不得影響飛航安全及干擾合法通信；經發現有干擾現象時，應立即停用，並改善至無干擾時方得繼續使用。

前項合法通信，指依電信法規定作業之無線電通信。低功率射頻電機須忍受合法通信或工業、科學及醫療用電波輻射性電機設備之干擾。

- 1.應避免影響附近雷達系統之操作。
- 2.高增益指向性天線只得應用於固定式點對點系統
- 3.電波功率密度 MPE 標準值  $1 \text{ mW/cm}^2$ , 送測產品實測值為 :  $0.0698 \text{ mW/cm}^2$  建議使用時設備天線至少距離人體 20公分

報驗義務人(Applicant): 慧與科技股份有限公司

地址(Address): 11568 台北市南港區經貿二路66號10樓之1

電話(TEL): (02) 2652-8700

## Ukraine

Hereby, Hewlett Packard Enterprise declares that the radio equipment type [The Regulatory Model Number [RMN] for this device can be found in the Regulatory Model Name section of this document] is in compliance with Ukrainian Technical Regulation on Radio Equipment, approved by resolution of the CABINET OF MINISTERS OF UKRAINE dated May 24, 2017, No. 355. The full text of the UA declaration of conformity is available at the following internet address: <https://certificates.ext.hpe.com>.

## United States

This device complies with part 15 of the FCC Rules. Operation is subject to the following two conditions: (1) This device may not cause harmful interference, and (2) this device must accept any interference received, including interference that may cause undesired operation.

This equipment has been tested and found to comply with the limits for a Class B digital device, pursuant to Part 15 of the FCC Rules. These limits are designed to provide reasonable protection against harmful interference in a residential installation. This equipment generates, uses and can radiate radio frequency energy and, if not installed and used in accordance with the manufacturer's instructions, may cause harmful interference to radio communications. However, there is no guarantee that interference will not occur in a particular installation. If this equipment does cause harmful interference to radio or television reception, which can be determined by turning the equipment off and on, the user is encouraged to try to correct the interference by one or more of the following measures:

- Reorient or relocate the receiving antenna.
- Increase the separation between the equipment and receiver.
- Connect the equipment to an outlet on a circuit different from that to which the receiver is connected.
- Consult the dealer or an experienced radio or TV technician for help.

Improper termination of access points installed in the United States configured to a non-US model controller is a violation of the FCC grant of equipment authorization. Any such willful or intentional violation may result in a requirement by the FCC for immediate termination of operation and may be subject to forfeiture (47 CFR 1.80).

The network administrator(s) is/are responsible for ensuring that this device operates in accordance with local/regional laws of the host domain.

---

**RF Radiation Exposure Statement:** This equipment complies with RF radiation exposure limits. This equipment should be installed and operated with a minimum distance of 7.87 inches (20 cm) between the radiator and your body. This transmitter must not be co-located or operating in conjunction with any other antenna or transmitter.

---



**Déclaration de la concernant l'exposition aux rayonnements à fréquence radioélectrique (FR):** Cet appareil est conforme aux limites d'exposition aux rayonnements FR établies. Il doit être installé et utilisé à une distance minimale de 20 cm (7,87 pouces) entre le radiateur et votre corps. Cet émetteur ne doit pas être installé ou utilisé à proximité immédiate d'une autre antenne ni d'un autre transmetteur.

---

---

Changes or modifications not expressly approved by the party responsible for compliance could void the user's authority to operate this equipment.

---



Toute modification effectuée sur cet équipement sans l'autorisation expresse de la partie responsable de la conformité est susceptible d'annuler son droit d'utilisation.

---

# Proper Disposal of Hewlett Packard Enterprise Equipment

Hewlett Packard Enterprise equipment complies with countries' national laws for proper disposal and electronic waste management.

## Waste of Electrical and Electronic Equipment



Hewlett Packard Enterprise products at end of life are subject to separate collection and treatment in the EU Member States, Norway, and Switzerland and therefore are marked with the symbol shown at the left (crossed-out wheeled bin). The treatment applied at end of life of these products in these countries shall comply with the applicable national laws of countries implementing Directive 2012/19/EU on Waste of Electrical and Electronic Equipment (WEEE).

## European Union RoHS

# RoHS

Hewlett Packard Enterprise products comply with the EU Restriction of Hazardous Substances Directive 2011/65/EU (RoHS). EU RoHS restricts the use of specific hazardous materials in the manufacture of electrical and electronic equipment. Specifically, restricted materials under the RoHS Directive are Lead (including Solder used in printed circuit assemblies), Cadmium, Mercury, Hexavalent Chromium, and Bromine. Some products are subject to the exemptions listed in RoHS Directive Annex 7 (Lead in solder used in printed circuit assemblies). Products and packaging will be marked with the "RoHS" label shown at the left indicating conformance to this Directive.

## India RoHS

This product complies with RoHS requirements as prescribed by E-Waste (Management & Handling) Rules, governed by the Ministry of Environment & Forests, Government of India.

# China RoHS



Hewlett Packard Enterprise products also comply with China environmental declaration requirements and are labeled with the "EFUP 50" label shown at the left.

## 产品中有害物质的名称及含量 根据中国《电器电子产品有害物质限制使用管理办法》

部件名称	限用物质及其化学符号					
	铅 (Pb)	汞 (Hg)	镉 (Cd)	六价铬 (Cr(VI))	多溴联苯 (PBB)	多溴二苯醚 (PBDE)
电池	O	O	O	O	O	O
传输线和网路线	O	O	O	O	O	O
断路器	X	O	O	O	O	O
冷却 & 加热系统	O	O	O	O	O	O
磁盘控制器	X	O	O	O	O	O
外部机箱	X	O	O	O	O	O
风扇	O	O	O	O	O	O
液晶显示器	X	O	O	O	O	O
硬盘(HDD)	X	O	O	O	O	O
液压 / 气压系统	O	O	O	O	O	O
键盘	O	O	O	O	O	O
介质 (CD/DVD/光盘驱动器)	O	O	O	O	O	O
记忆体	O	O	O	O	O	O
鼠标	O	O	O	O	O	O
其他机械组装设备	X	O	O	O	O	O
电源/电源适配器	X	O	O	O	O	O
印刷电路组件 (PCAs)	X	O	O	O	O	O
天线	X	O	O	O	O	O

本表格依据 SJ/T 11364 的规定编制

O：表示该有害物质在该部件所有均质材料中的含量均在 GB/T 26572 规定的限量要求以下

X：表示该有害物质至少在该部件的某一均质材料中的含量超出 GB/T 26572 规定的限量要求

此表中所有名称中含“X”的部件均符合欧盟 RoHS 立法

注：环保使用期限的参考标识取决于产品正常工作的温度和湿度等条

除非另有标明，此电子电器产品有害物质限制使用(EPUP) 标签适用于所有慧与公司服务器，网络，存储设备

# Taiwan RoHS

## Taiwan RoHS Hazardous Substances table

### 台灣限用物質含有情況標示

單元	限用物質及其化學符號					
	鉛 (Pb)	汞 (Hg)	鎘 (Cd)	六價鉻 (Cr <sup>6+</sup> )	多溴聯苯 (PBB)	多溴二苯醚 (PBDE)
傳輸線和線材	○	○	○	○	○	○
外殼	—	○	○	○	○	○
記憶體	○	○	○	○	○	○
其他機械組裝設備	—	○	○	○	○	○
印刷電路零組件 (PCAs)	—	○	○	○	○	○
斷路器 (選配)	—	○	○	○	○	○
冷卻及加熱系統(選配)	○	○	○	○	○	○
風扇(選配)	○	○	○	○	○	○
存取裝置(HDD) (選配)	—	○	○	○	○	○
讀寫元件 (CD/DVD/ 磁碟機) (選配)	—	○	○	○	○	○
變壓器/電源供應器(選配)	—	○	○	○	○	○

備考1. “○” 係指該項限用物質之百分比含量未超出百分比含量基準值。  
備考2. “—” 係指該項限用物質為排除項目。

選配單元使用於特定產品型號，詳細規格請參照產品說明書。

## Turkey RoHS material content declaration

Türkiye Cumhuriyeti: AEEE Yönetmeliğine Uygundur