

Ceres 330 TG ARGB

User's Manual
Benutzerhandbuch
Mode d'emploi
Manual del usuario
Manuale dell'utente
Manual do Utilizador

安裝說明書
用戶手冊
ユーザーズマニュアル
Руководство пользователя
kullanıcı elkitabı
(EEE Yönetmeliğine Uygundur)
คู่มือการใช้



© 2023 Thermaltake Technology Co., Ltd. All Rights Reserved. 2023.11
All other registered trademarks belong to their respective companies. www.thermaltake.com



TT Premium



TT Premium

To continue achieving the corporate mission of delivering the perfect user experience, Thermaltake developed "TT Premium" with the essence of combining supreme quality products with a new logo design. TT Premium is far more than just a guarantee of quality. Behind the name, it represents the passion in DIY, Modding and Thermaltake's desire to be the most innovative brand in the PC hardware market. To satisfy the demand of the high-end PC users, TT Premium follows its core values of Excellent Quality, Unique Design, Diverse Combinations and Boundless Creativity to provide a high performance PC product for every enthusiast. <http://tppremium.com>

Tt LCS-Liquid Cooling Support Certification



Tt LCS Certified is a Thermaltake exclusive certification applied to only products that pass the design and hardcore enthusiasts standards that a true LCS chassis should be held to. The Tt LCS certification was created so that we at Thermaltake can designate to all power users which chassis have been tested to be best compatible with extreme liquid cooling configurations to ensure you get the best performance from the best features and fitment.

Join Tt Community To Receive Benefits



Dear Valued Customer,
Thank you for choosing Thermaltake.
As a new user we value your thoughts and opinions and your feedback is important to us. We at Thermaltake would like to use this opportunity to invite you to join our Community Forums. Register today to start enjoying the full benefits of our community.



Benefits of being a member:

- Quick and responsive user support
- Receive help and advice with new builds
- Keep up to date with new product releases
- Share your thoughts and builds with the community
- Enter monthly contests and giveaways

Brand official website
<http://www.thermaltake.com/>

Global Facebook
<https://www.facebook.com/ThermaltakeInc>

Taiwan Facebook
<http://www.facebook.com/ThermaltakeTW>

Global community forums
<http://community.thermaltake.com>

CONTENTS






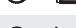
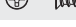

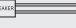

Chapter 1. Product Introduction

1.0	Specification	01
1.1	Accessory	02
1.2	Warning and Notice	03



Chapter 2. Installation Guide

2.0	Remove Panels	06
2.1	Power Supply Unit (PSU) Installation	07
2.2	Motherboard Installation	08
2.3	3.5" & 2.5" HDD Installation	09
2.4	VGA Card Installation	10
2.5	Air Cooling Installation	13
2.6	AIO Liquid Cooling Installation	14
2.7	I/O Connection	15
2.8	ARGB Control Instruction	15
2.9	Remove Filters	16

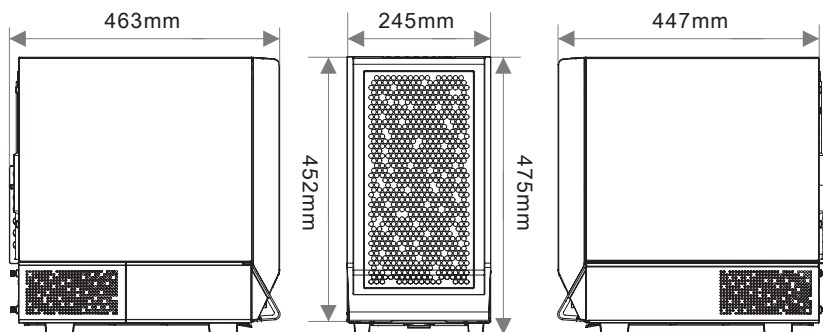
Case Type	Mid Tower
Dimension (H*W*D)	475 x 245 x 463 mm (18.7 x 9.65 x 18.23 inch)
Side Panel	Tempered Glass x 1
Material	SPCC
Cooling System	Front (intake): 140 x 140 x 25 mm CT140 ARGB fan (1500rpm, 30.5 dBA) x 2 Rear (exhaust): 140 x 140 x 25 mm CT140 fan (1500rpm, 30.5 dBA) x 1
Drive Bays	1 x 3.5", 2 x 2.5" or 3 x 2.5"
Expansion Slots	7 (Rotatable Patented Design)
Motherboards	6.7" x 6.7" (Mini ITX), 9.6" x 9.6" (Micro ATX), 12" x 9.6" (ATX), 12" x 13" (E-ATX)
I/O Port	USB 3.2 (Gen 2) Type C x 1, USB 3.0 x 2, HD Audio x 1
PSU	Standard PS2 PSU (optional)
Fan Support	Front: 3 x 120 mm, 2 x 120 mm, 1 x 120 mm 2 x 140 mm, 1 x 140 mm Top: 3 x 120 mm, 2 x 120 mm, 1 x 120 mm 2 x 140 mm, 1 x 140 mm Rear: 1 x 120 mm, 1 x 140 mm
Radiator Support	Front: 1 x 360 mm, 1 x 240 mm, 1 x 120 mm 1 x 280 mm, 1 x 140 mm Top: 1 x 240 mm, 1 x 120 mm 1 x 280 mm, 1 x 140 mm Rear: 1 x 120 mm
Clearance	CPU cooler height limitation: 185mm VGA length limitation: 340mm (With Radiator) 370mm (Without Radiator) PSU length limitation: 220mm

Figure	Part Name	Qty	Use For
	Screw #6-32 x 6 mm	4	PSU
	Screw M3 x 5 mm	32	Motherboard / 2.5" HDD / SSD
	Screw #6-32 x 6 mm	8	3.5" HDD
	Stand-off #6-32 x 6.5 mm	3	Backup
	Net setter	1	Motherboard Stand-off
	Screw Ø5 x 10 mm	4	Case Fan
	Thumb Screw #6-32 x 8 mm	2	Backup
	Buzzer	1	Motherboard Alarm
	Zip Ties	10	Cable Management
	Riser Cable Bolt	2	Riser Cable

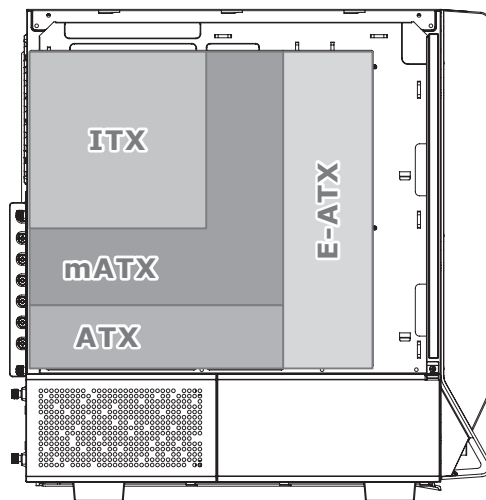
For CT ARGB Version Only

Figure	Part Name	Qty	Use For
	MB Signal Bridge Cable (Asus/MSI/ASROCK/GIGABYTE)	1	LED Signal Sync
	Fan Splitter	2	Case Fan

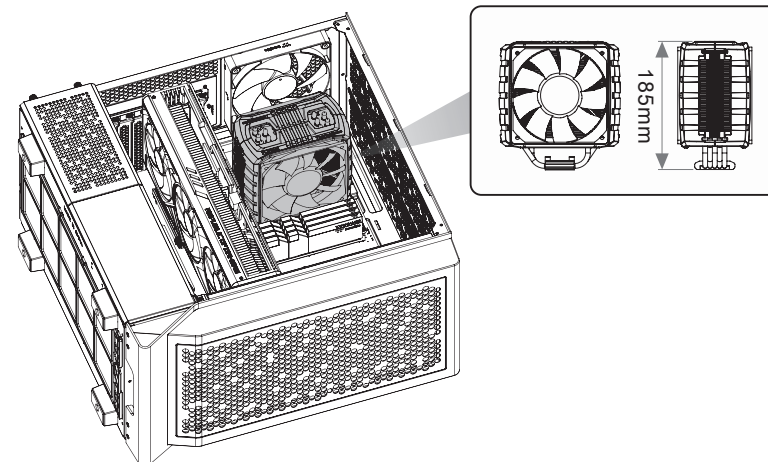
Chassis dimension



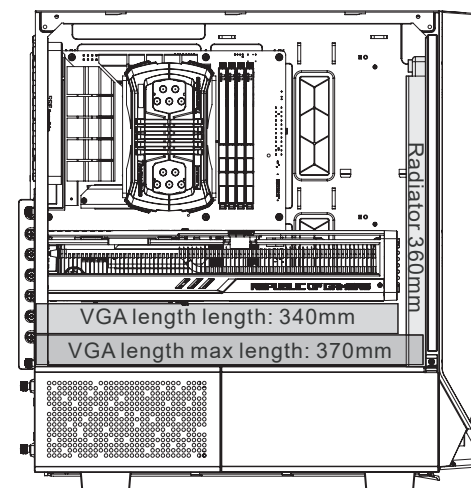
Motherboard Compatibility: ITX / mATX / ATX / E-ATX
(Up to 330.2mm wide)



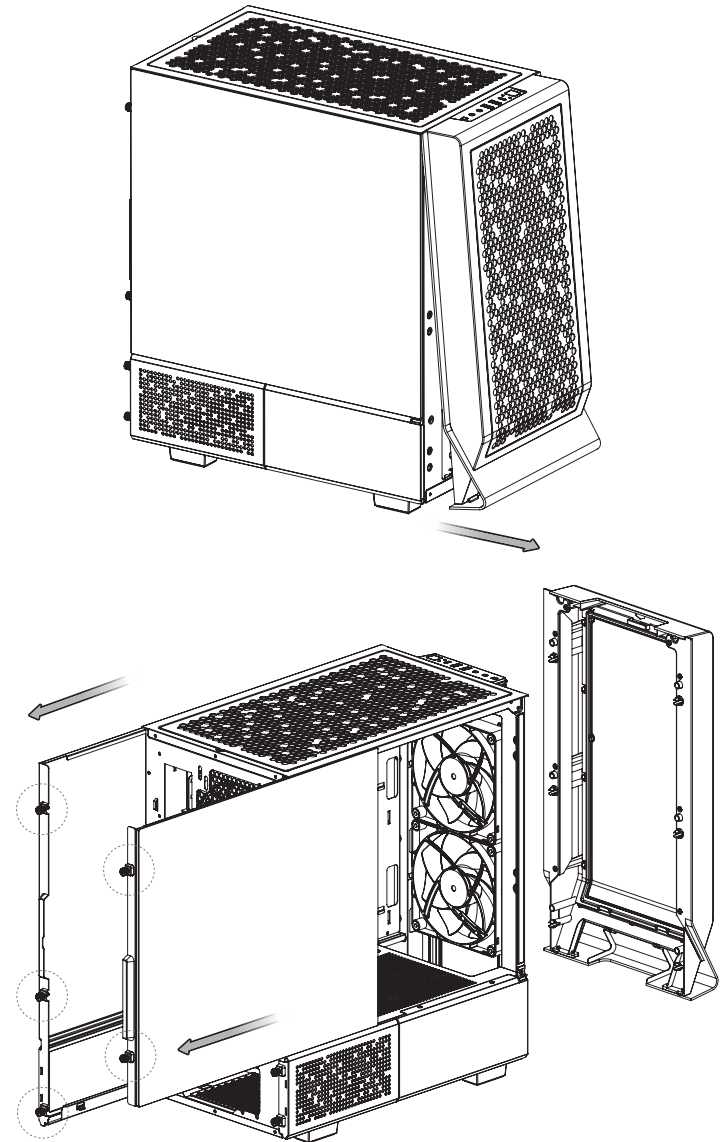
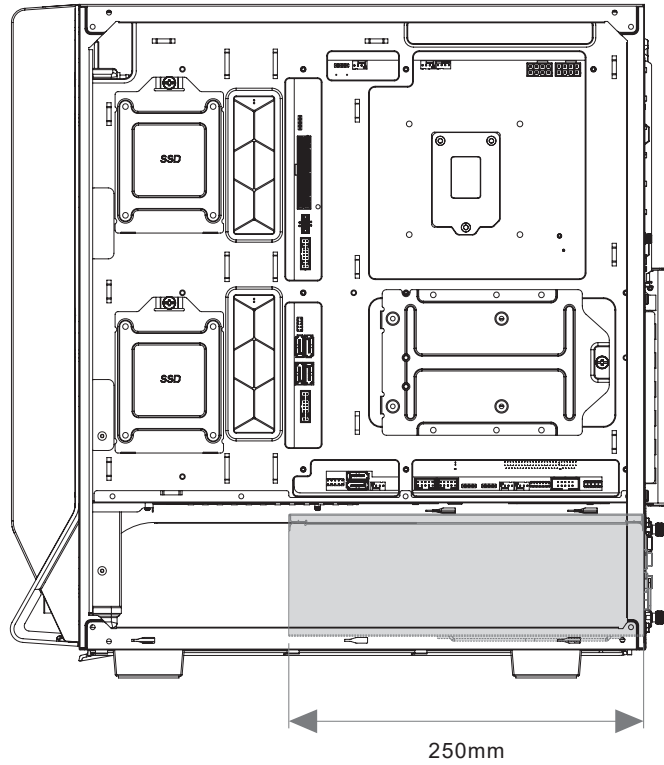
CPU cooler max height: 185mm

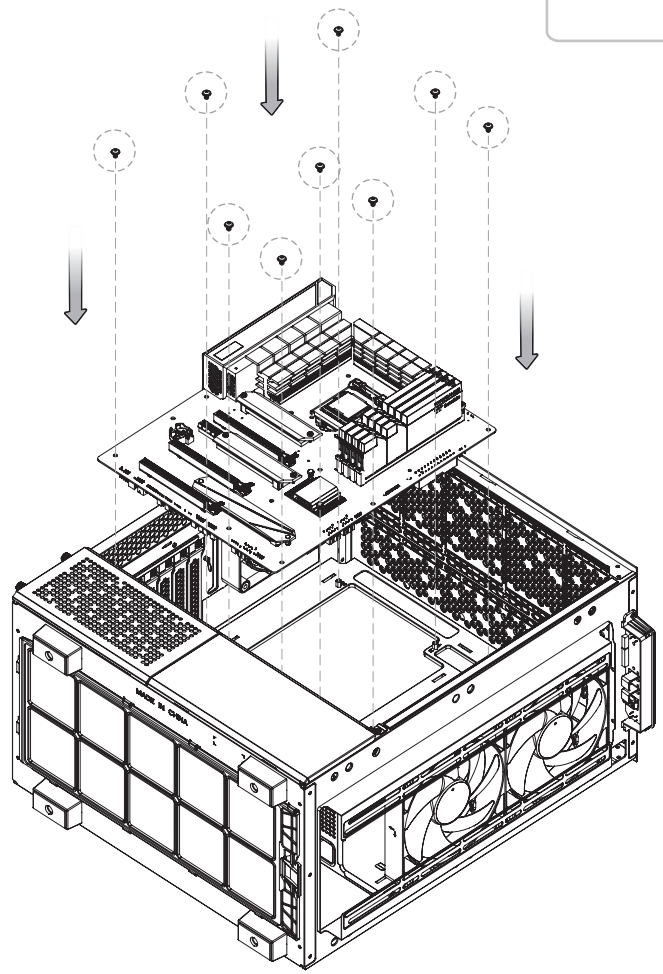
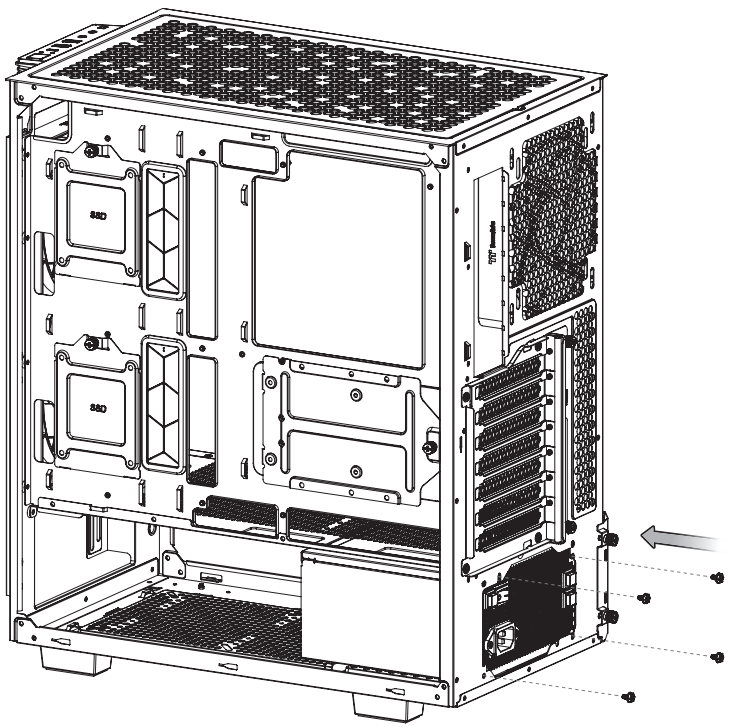


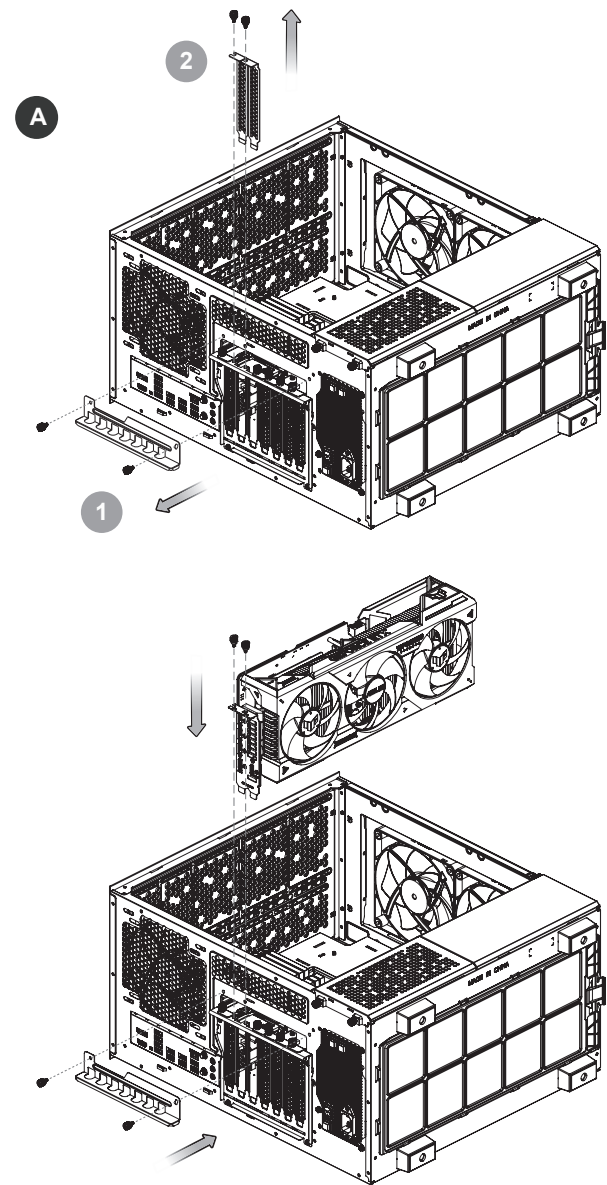
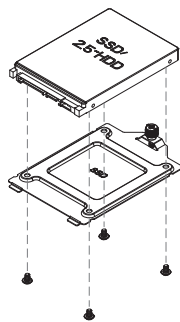
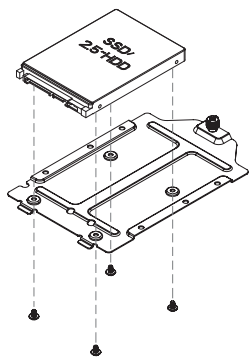
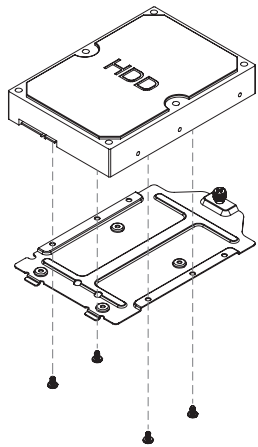
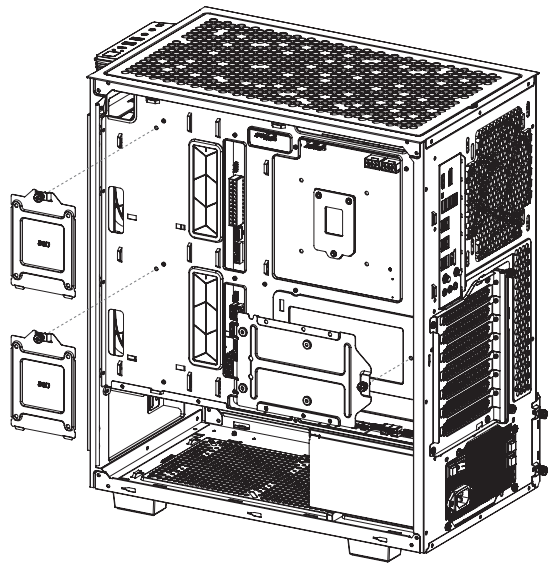
VGA length max length: 370mm

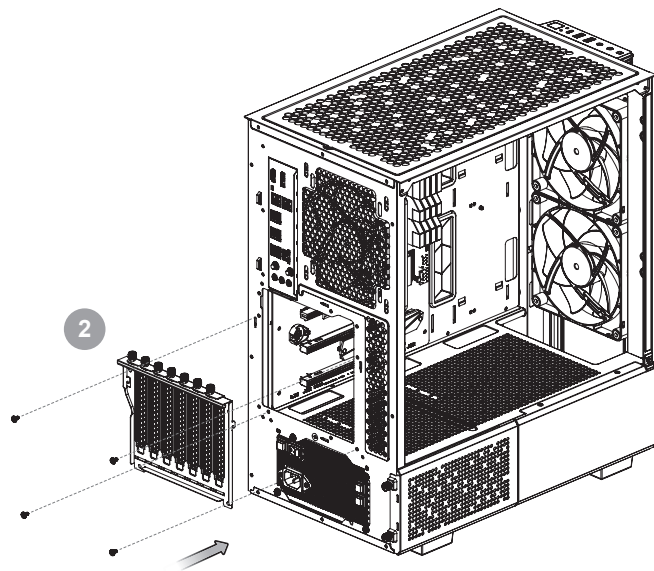
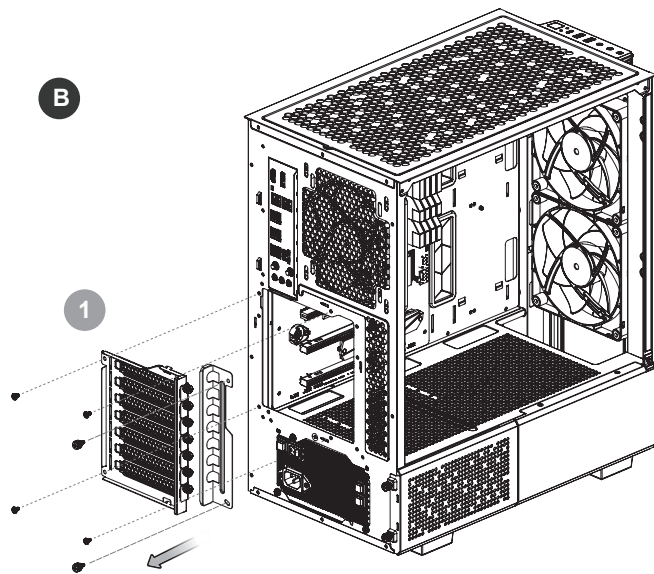


PSU length max length: 220 mm

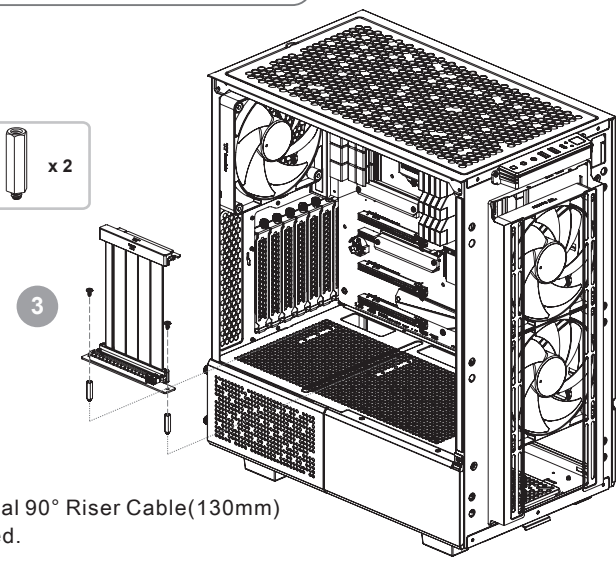
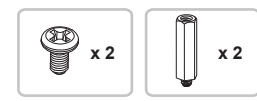




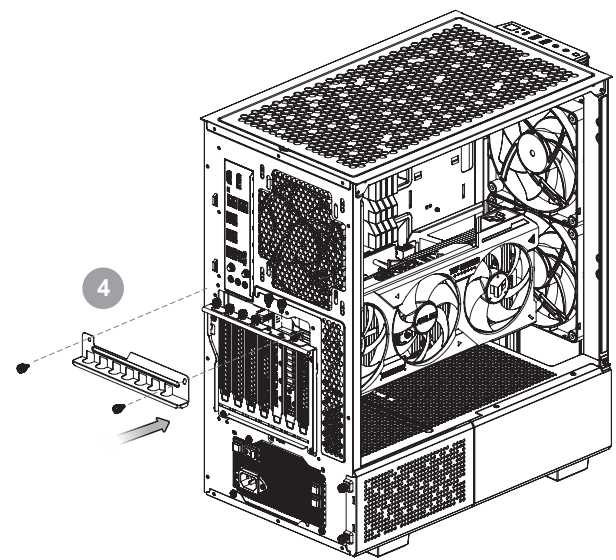


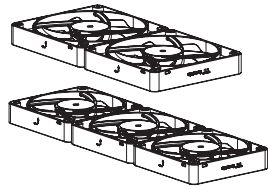


PCI-E 4.0 Dual 90° Riser Cable(130mm)

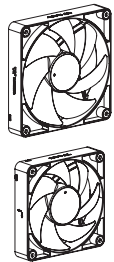


● PCI-E 4.0 Dual 90° Riser Cable(130mm) is not included.

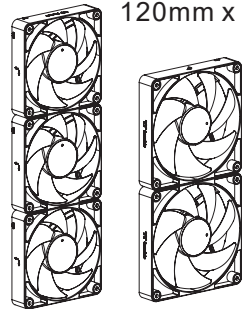
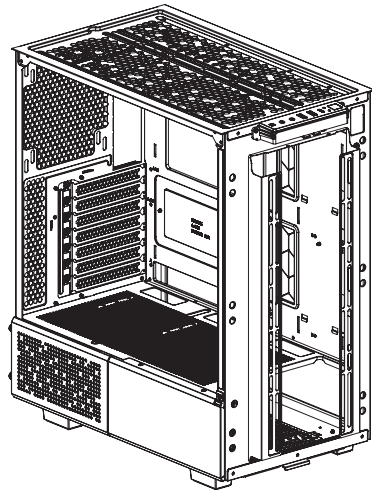




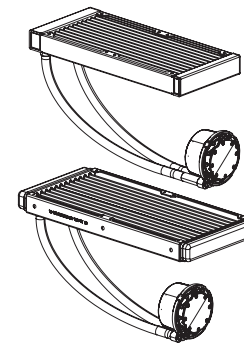
Top
140mm x 2
or
120mm x 3



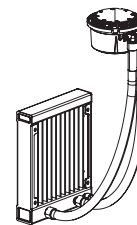
Rear
140mm x 1
or
120mm x 1



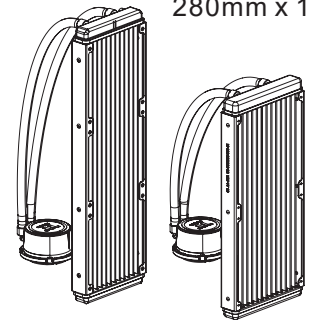
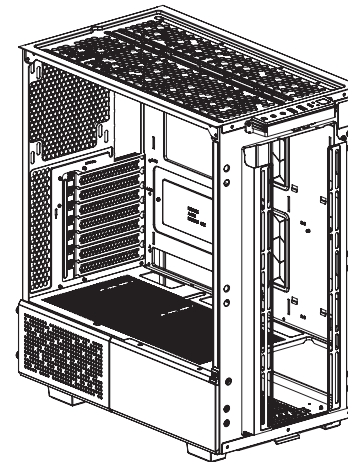
Front
140mm x 2
or
120mm x 3



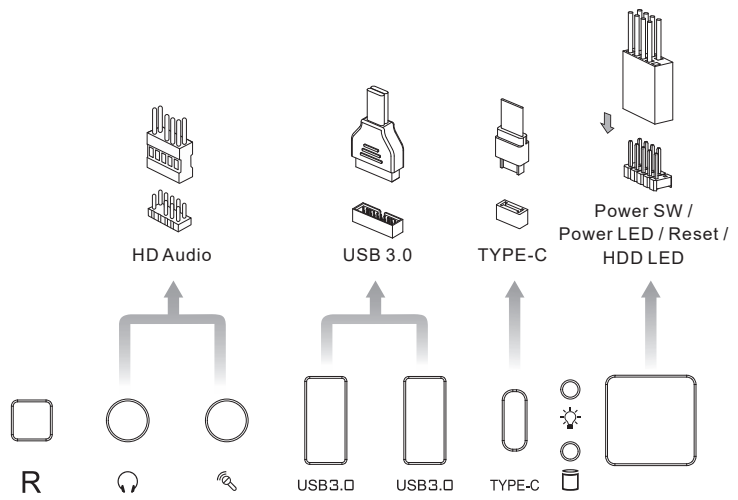
Top
240mm x 1
or
280mm x 1



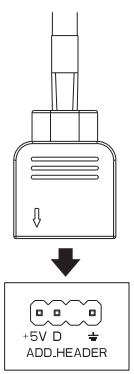
Rear
120mm x 1



Front
360mm x 1
or
280mm x 1



ARGB Control Instruction
- How to connect MB



Motherboard Header Diagram

