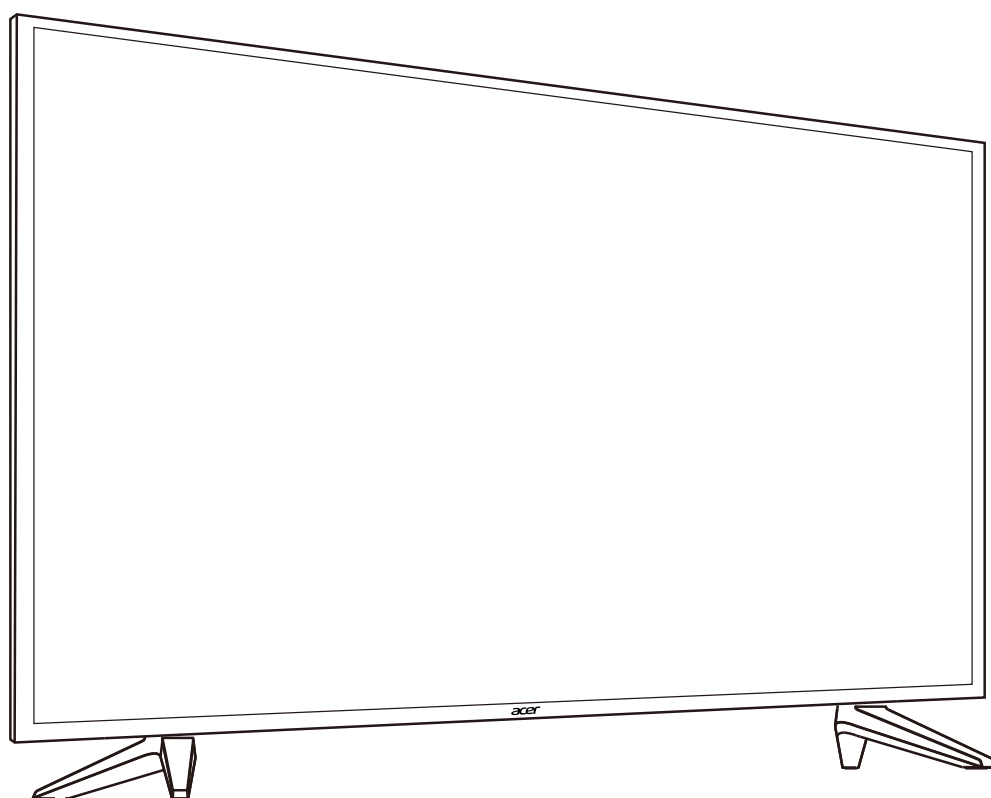


acer



LCD monitor DM1 series-DM431K

USER GUIDE

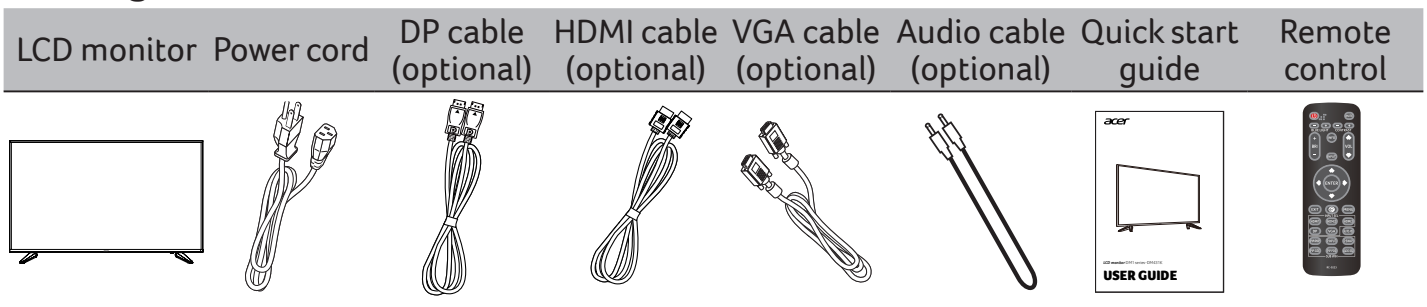
Acer LCD Monitor Quick Start Guide (QSG)

Important safety instructions

Please read the following instructions carefully.

1. To clean the LCD monitor screen:
 - Turn off the LCD monitor and unplug the power cord.
 - Spray a non-solvent cleaning solution onto a rag and clean the screen gently.
2. Do not place the LCD monitor near a window. Exposing the monitor to rain, moisture or sunlight can severely damage it.
3. Do not apply pressure to the LCD screen. Excessive pressure may cause permanent damage to the display.
4. Do not remove the cover or attempt to service this unit yourself. An authorized technician should perform servicing of any nature.
5. Store the LCD monitor in a room with a temperature of -20° to 60° C (-4° to 140° F). Storing the LCD monitor outside this range may result in permanent damage.
6. Immediately unplug your monitor and call an authorized technician if any of the following circumstances occur:
 - Monitor-to-PC signal cable is frayed or damaged.
 - Liquid spills onto the LCD monitor or the monitor is exposed to rain.
 - The LCD monitor or case is damaged.

Package contents

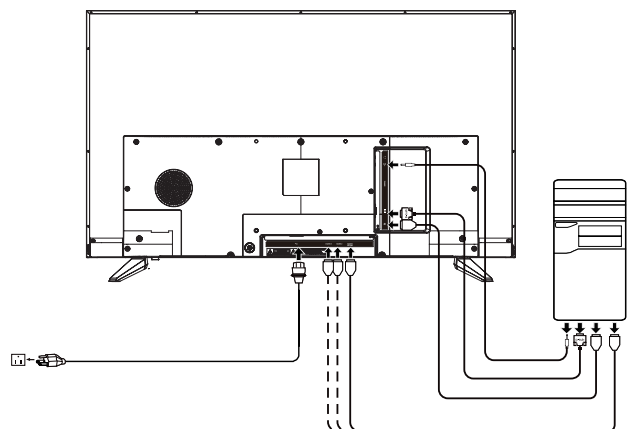


Attaching the monitor to the stand

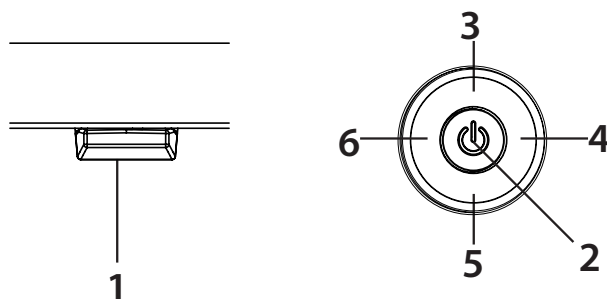
1. Place the monitor face down on a flat and clean surface.
2. Align the screw holes on the monitor with the screw holes on the stand.
3. Replace the four screws that secure the monitor to the base. Tighten the screws firmly.

Connecting your monitor to a computer







1. Turn off your computer and unplug your computer's power cord.
2. Connect the signal cable to the VGA (optional) and/or DP (optional) and/or HDMI (optional) input socket of the monitor, and the VGA (optional) and/or DP (optional) and/or HDMI (optional) output socket of the graphics card on the computer. Then tighten the thumbscrews on the signal cable connector.
3. Optional: Connect the audio input socket (AUDIO IN) of the LCD monitor and the line-out port on the computer with the audio cable.
4. Insert the monitor power cable into the power port at the back of the monitor.
5. Plug the power cords of your computer and your monitor into a nearby electrical outlet.



USB only upgrade menu allows users to upgrade firmware, no other function



External controls

| | | | |
|---|---|--------------------------------|--|
| 1 |  | LED Indicator | Blue indicates power on. Amber indicates standby/ power saving mode. |
| 2 |  | Power button | Press/Hold 3 seconds to Power Off. |
| | | Enter | Press to enter a selection in the OSD. |
| 3 |  | OSD functions/Up | a. Press to view the OSD. b. Press this button to select the desired item when in OSD menu. |
| 4 |  | Input source switching / Right | a. Use the INPUT hotkey to enter Input select function. b. Press this button to select the desired item when in OSD menu. |
| 5 |  | Empowering Key / Down | a. Press this button to select scenario mode. b. Press this button to select the desired item when in OSD menu. |
| 6 |  | Volume Key /Left | a. Press this button to adjust volume. b. Press this button to select the desired item when in OSD menu. |

Regulations and safety notices

FCC notices

This device has been tested and found to comply with the limits for a Class B digital device pursuant to Part 15 of the FCC rules. These limits are designed to provide reasonable protection against harmful interference in a residential installation. This device generates, uses, and can radiate radio frequency energy and, if not installed and used in accordance with the instructions, may cause harmful Interference to radio communications. However, there is no guarantee that interference will not occur in a particular installation. If this device does cause harmful interference to radio or television reception, which can be determined by turning the device off and on, the user is encouraged to try to correct the interference by one or more of the following measures:

- Reorient or relocate the receiving antenna.
- Increase the separation between the device and receiver.
- Connect the device into an outlet on a circuit different from that to which the receiver is connected.
- Consult the dealer or an experienced radio/television technician for help.

CE declaration of conformity

Hereby, Acer Inc., declares that this LCD monitor is in compliance with the essential requirements and other relevant provisions of EMC Directive 2014/30/EU, Low Voltage Directive 2014/35/EU, and RoHS Directive 2011/65/EU and Directive 2009/125/EC with regard to establishing a framework for the setting of ecodesign requirements for energy-related product.

Notice: Shielded cables

All connections to other computing devices must be made using shielded cables to maintain compliance with EMC regulations.

Notice: Peripheral devices

Only peripherals (input/output devices, terminals, printers, etc.) certified to comply with the Class B limits may be attached to this equipment. Operation with non-certified peripherals is likely to result in interference to radio and TV reception.

Caution

Changes or modifications not expressly approved by the manufacturer could void the user authority, which is granted by the Federal Communications Commission, to operate this product.

Operation conditions

This device complies with Part 15 of the FCC Rules. Operation is subject to the following two conditions: (1) this device may not cause harmful interference, and (2) this device must accept any interference received, including interference that may cause undesired operation.

Notice: Canadian users

CAN ICES-3(B)/NMB-3(B)



Disposal of waste equipment by user in private household in the European Union

This symbol on the product or on its packaging indicates that this product must not be disposed of with your other household waste. Instead, it is your responsibility to dispose of your waste equipment by handing it over to a designated collection point for the recycling of waste electrical and electronic equipment. The separate collection and recycling of your waste equipment at the time of disposal will help to conserve natural resources and ensure that it is recycled in a manner that protects human health and the environment. For more information about where you can drop off your waste equipment for recycling, please contact your local city office, your household waste disposal service or the shop where you purchased the product.

*Acer monitor is purposed for video and visual display of information obtained from electronic devices.

SPECIFICATIONS

| | | | |
|------------------------------------|---------------------------------|--|---|
| LCD Panel | Driving system | TFT Color LCD | |
| | Size | 43"W(108cm) | |
| | Pixel pitch | 0.2451(H) x 0.2451(V) mm | |
| | Brightness (cd/m ²) | 250 (Typ) | |
| | Contrast | 100,000,000:1 Max (ACM) | |
| | Viewable angle | CR=10, 178°(H), 178°(V) | |
| | Response time | 5ms (OD) | |
| | Panel Type | In-Plane Switching | |
| | Video | R, G, B Analog Interface | |
| H-Frequency | | 15KHz~136KHz(Digital), 24 ~ 83kHz (Analog) | |
| V-Frequency | | 23Hz~76Hz(Digital), 55Hz ~76Hz (Analog) | |
| Display Colors | | 1.07B(8bit+FRC) | |
| Dot Clock | | 594 MHz | |
| Max. Resolution | | 3840 x 2160@60Hz | |
| Plug & Play | | VESA DDCCI/DDC2B | |
| Energy Efficiency Class | | A | |
| *Annual Energy Consumption | | 82 (kWh) (for HDMI-input Model) | |
| Power consumption (at 200 nits) | On Mode | 73W(typical) | |
| | Sleep Mode | 0.45W(typical) | |
| | Off Mode | 0.35W(typical) | |
| Input Connector | | D-Sub DP (Only DP-Input Model) HDMI (Only HDMI Model) | |
| Input Video Signal | | Analog:0.7Vp-p(standard), 75 OHM, Positive DP signal (Only DP Model) HDMI signal (Only HDMI Model) | |
| Speakers | | 5W x 2(Only Audio-Input Model) | |
| Maximum Screen Size | Horizontal | 941.184mm | |
| | Vertical | 529.416mm | |
| Power Source | | 100-240V~, 50/60Hz | |
| Environmental Considerations | | Operating Temp: 0° to 40°C Storage Temp: -20° to 60°C Operating Humidity: 20% to 80% | |
| Dimensions (W x H x D) | | 961.4x607.4x240.0mm | |
| Weight (N. W.) | | 7.9kg (net) | |
| Mechanism specifications | | Tilt: No Swivel: No Height adjustment: No | Pivot: No Detachable foot stand: Yes |

| | | | |
|-------------------|-----------|---|--|
| External Controls | Buttons | Power Button Page Left /Right/Exit Menu/Enter | PIP / Input E(Empowering) Key/ Volume |
| | Functions | BlueLight Brightness Contrast Black Boost Colour Temp Modes sRGB mode Grayscale Mode Gamma Super Sharpness HDR 6-axis Hue 6-axis Saturate | Language OSD Timeout Transparency OSD Lock Wide Mode DDC/CI On/Off ACM On/Off Input OD Auto Source PIP/PBP Hot Key Assignment HDMI Black Level Quick Start Mode Reset Information |

*All specifications are subject to change without notice.

Regulatory Compliance



Find manuals and other documents for your Acer product on the official Acer support website.

*Annual energy consumption is calculated using the typical power consumption 4 hours per day, 365 days per year.