

• Picture is for reference only

# The Tower 300

User's Manual  
Benutzerhandbuch  
Mode d'emploi  
Manual del usuario  
Manuale dell'utente  
Manual do Utilizador

安裝說明書  
用戶手冊  
ユーザーズマニュアル  
Руководство пользователя  
kullanıcı elkitabı  
(EEE Yönetmeliğine Uygundur)  
คู่มือการใส่



© 2023 Thermaltake Technology Co., Ltd. All Rights Reserved. 2023.12  
All other registered trademarks belong to their respective companies. [www.thermaltake.com](http://www.thermaltake.com)



## TT Premium



### TT Premium

To continue achieving the corporate mission of delivering the perfect user experience, Thermaltake developed "TT Premium" with the essence of combining supreme quality products with a new logo design. TT Premium is far more than just a guarantee of quality. Behind the name, it represents the passion in DIY, Modding and Thermaltake's desire to be the most innovative brand in the PC hardware market. To satisfy the demand of the high-end PC users, TT Premium follows its core values of Excellent Quality, Unique Design, Diverse Combinations and Boundless Creativity to provide a high performance PC product for every enthusiast. <http://tppremium.com>

## Tt LCS-Liquid Cooling Support Certification



Tt LCS Certified is a Thermaltake exclusive certification applied to only products that pass the design and hardcore enthusiasts standards that a true LCS chassis should be held to. The Tt LCS certification was created so that we at Thermaltake can designate to all power users which chassis have been tested to be best compatible with extreme liquid cooling configurations to ensure you get the best performance from the best features and fitment.

## Join Tt Community To Receive Benefits



Dear Valued Customer,  
Thank you for choosing Thermaltake.  
As a new user we value your thoughts and opinions and your feedback is important to us. We at Thermaltake would like to use this opportunity to invite you to join our Community Forums. Register today to start enjoying the full benefits of our community.



### Benefits of being a member:

- Quick and responsive user support
- Receive help and advice with new builds
- Keep up to date with new product releases
- Share your thoughts and builds with the community
- Enter monthly contests and giveaways

**Brand official website**  
<http://www.thermaltake.com/>

**Global Facebook**  
<https://www.facebook.com/ThermaltakeInc>

**Taiwan Facebook**  
<http://www.facebook.com/ThermaltakeTW>

**Global community forums**  
<http://community.thermaltake.com>

# CONTENTS


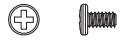
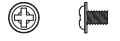
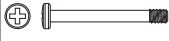





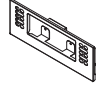
## Chapter 1. Product Introduction

1.0	Specification .....	01
1.1	Accessory .....	02
1.2	Warning and Notice .....	03

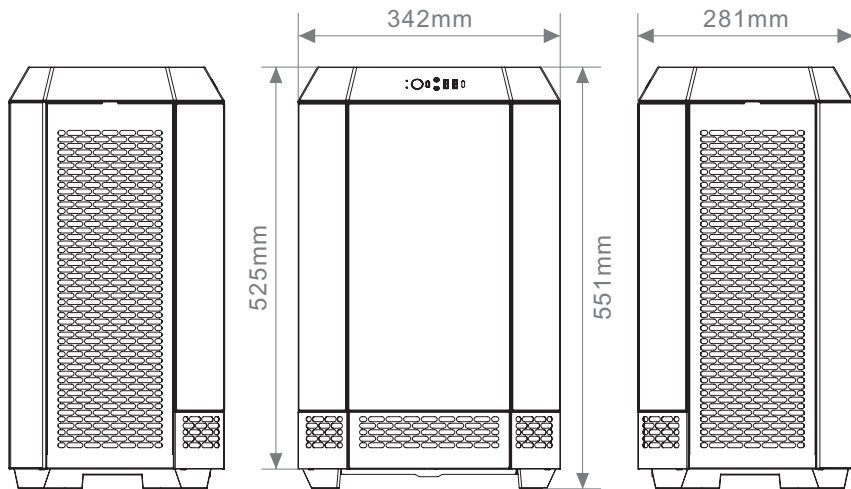
## Chapter 2. Installation Guide

2.0	Remove Components .....	06
2.1	Power Supply Unit (PSU) Installation .....	07
2.2	Motherboard Installation .....	08
2.3	HDD Installation .....	09
2.4	VGA Card Installation .....	11
2.5	Air Cooling Installation .....	12
2.6	AIO Liquid Cooling Installation .....	13
2.7	I/O Connection .....	14
2.8	Remove Filters .....	15

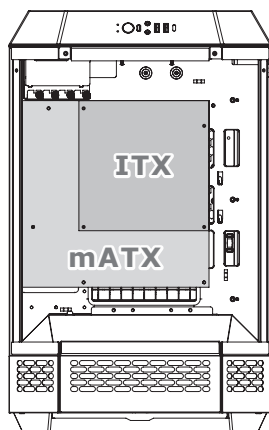
Case Type	Micro Tower		
Dimension (H*W*D)	551 x 342 x 281 mm (22.5 x 14 x 11.5 inch)		
Side Panel	Tempered Glass x 3		
Material	SPCC		
Cooling System	<b>Top (exhaust):</b> 140 x 140 x 25 mm CT140 fan (1500 rpm, 30.5 dBA) x 2		
Drive Bays	3 x 3.5" or 3 x 2.5"		
Expansion Slots	4		
Motherboards	6.7" x 6.7" (Mini ITX), 9.6" x 9.6" (Micro ATX)		
I/O Port	USB 3.2 (Gen 2) Type-C x 1, USB 3.0 x 2, HD Audio x 1		
PSU	Standard PS2 PSU (optional)		
Fan Support	Top	2 x 120 mm, 1 x 120 mm	2 x 140 mm, 1 x 140 mm
	Right Side	3 x 120 mm, 2 x 120 mm, 1 x 120 mm	3 x 140 mm, 2 x 140 mm, 1 x 140 mm
	Rear	2 x 120 mm, 1 x 120 mm	2 x 140 mm, 1 x 140 mm
	Power Cover	1 x 120 mm	1 x 140 mm
Radiator Support	Right Side (AIO)	1 x 360 mm, 1 x 240 mm, 1 x 120 mm	1 x 420 mm, 1 x 280 mm, 1 x 140 mm
Clearances	CPU cooler height limitation	210 mm	
	VGA length limitation	280 mm (With power cover) 400 mm (Without power cover)	
	PSU length limitation	220 mm	

Figure	Part Name	Q'ty	Used For
	Screw #6-32 x 6 mm	4	Power Supply
	Screw #6-32 x 6 mm	24	Motherboard / 3.5" SSD
	Screw M3 x 5 mm	12	2.5" SSD / HDD
	Stand #6-32 x 29 mm	4	Case Fan on the Power Cover
	Screw Ø5 x 10 mm	8	Case Fan
	Screw #6-32 x 6 mm	2	Case Fan on Fan Bracket
	Zip Ties	10	Cable Management
	Buzzer	1	Motherboard Alarm
	Side Plate Clip	6	Side Panel
	Bottom Front Panel	1	LCD Display

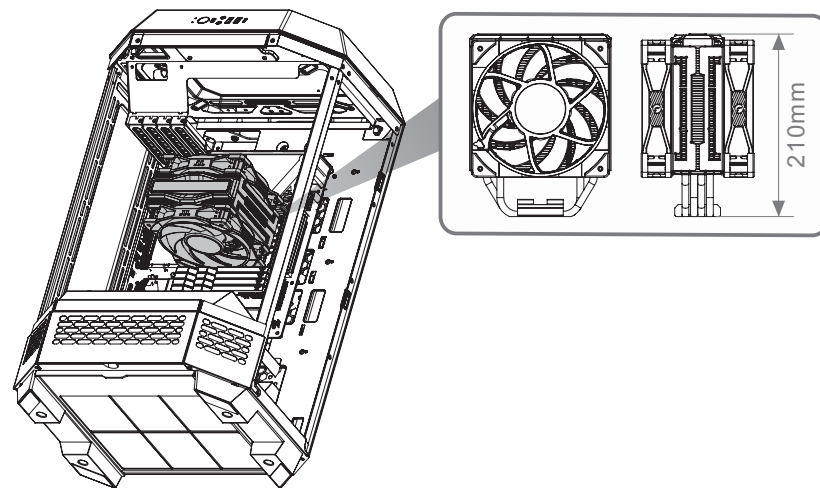
Chassis dimension



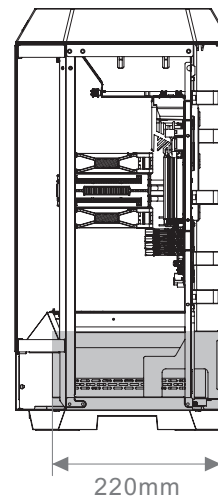
Motherboard Compatibility: ITX / mATX



CPU cooler max height: 210mm

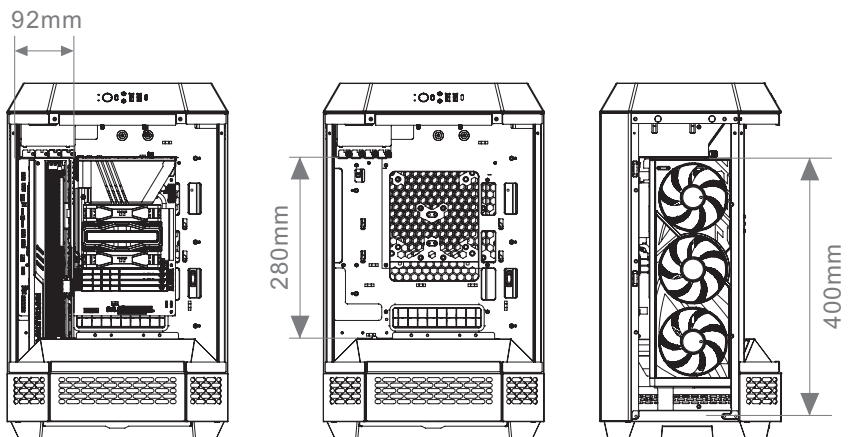


PSU max length: 220mm

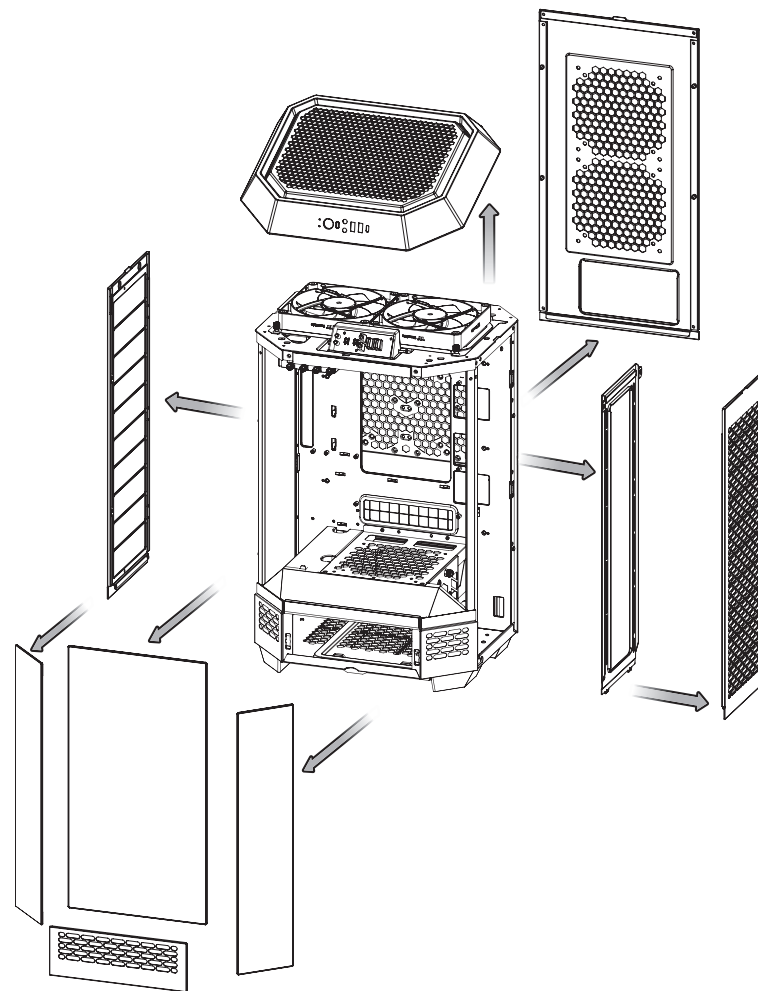
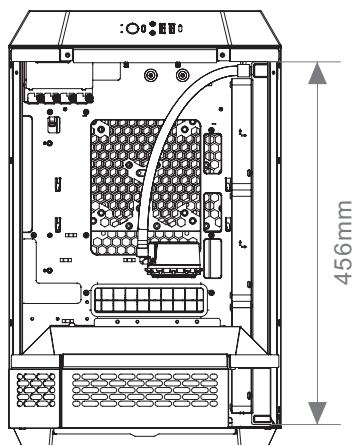


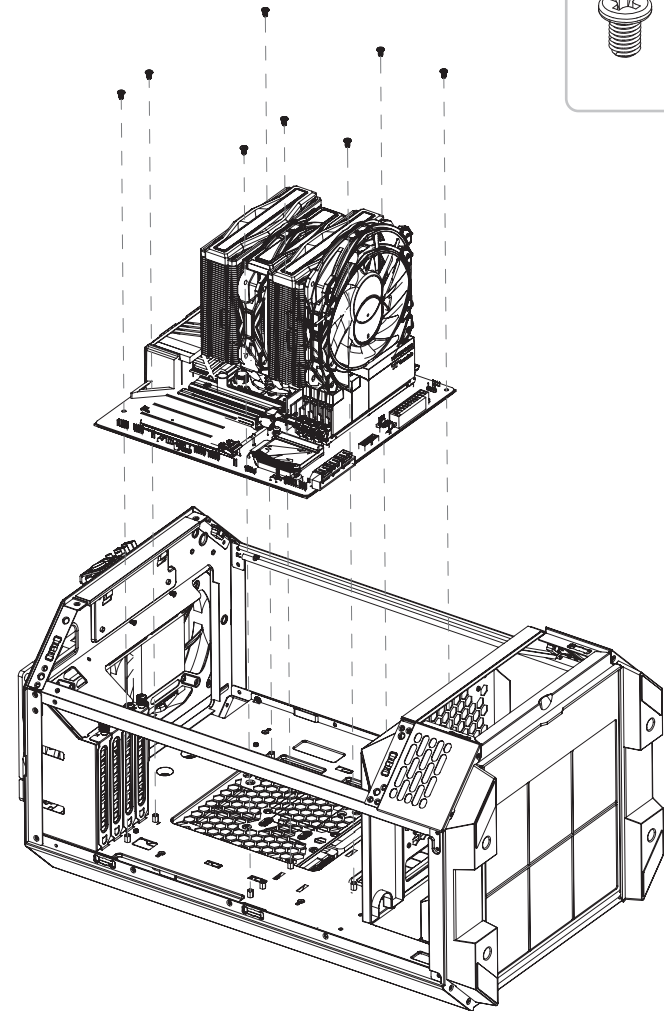
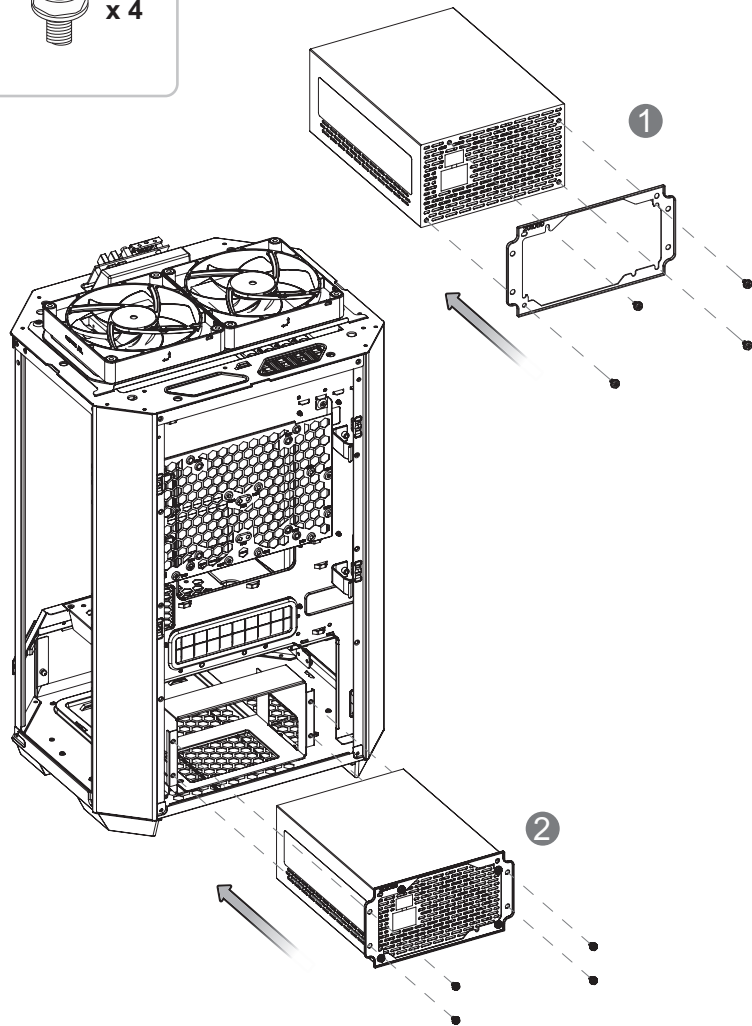


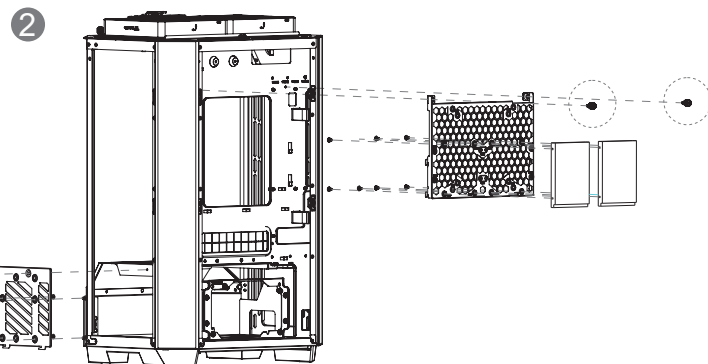
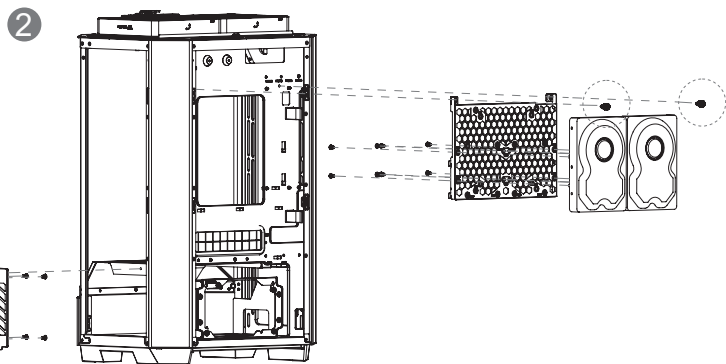
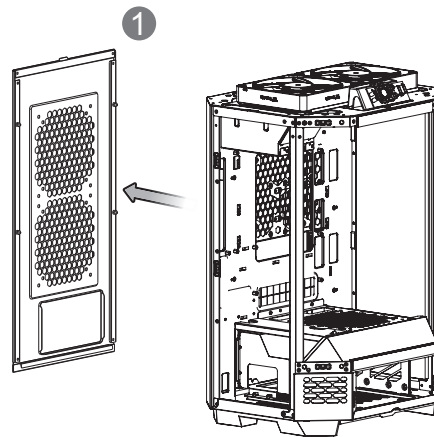
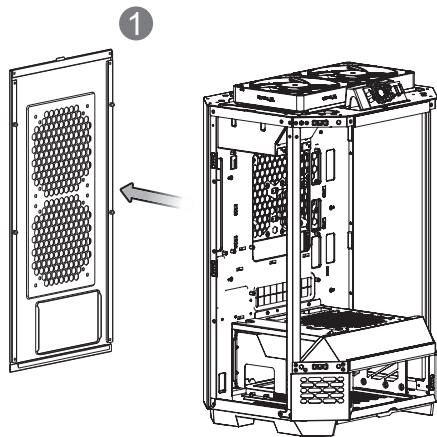
VGA length max length: 280 mm (With Power Cover)  
400 mm (Without Power Cover)

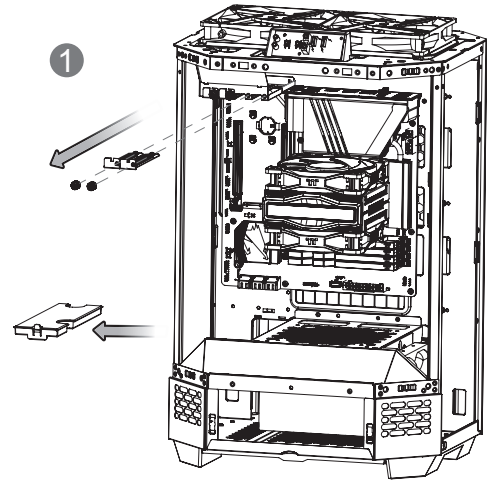


Radiator max length: 456 mm

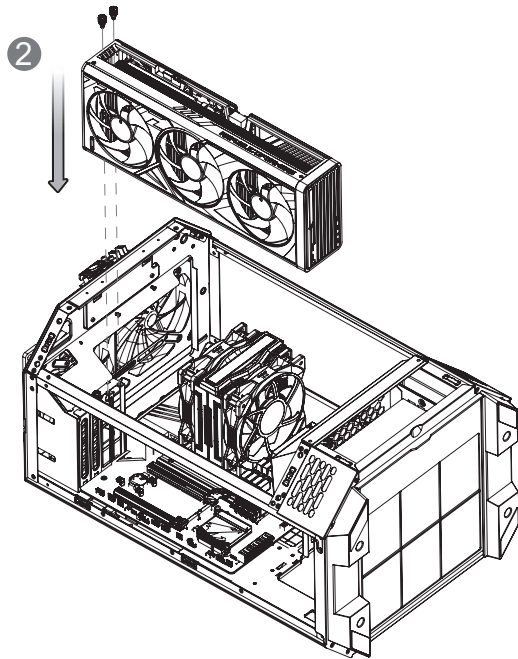




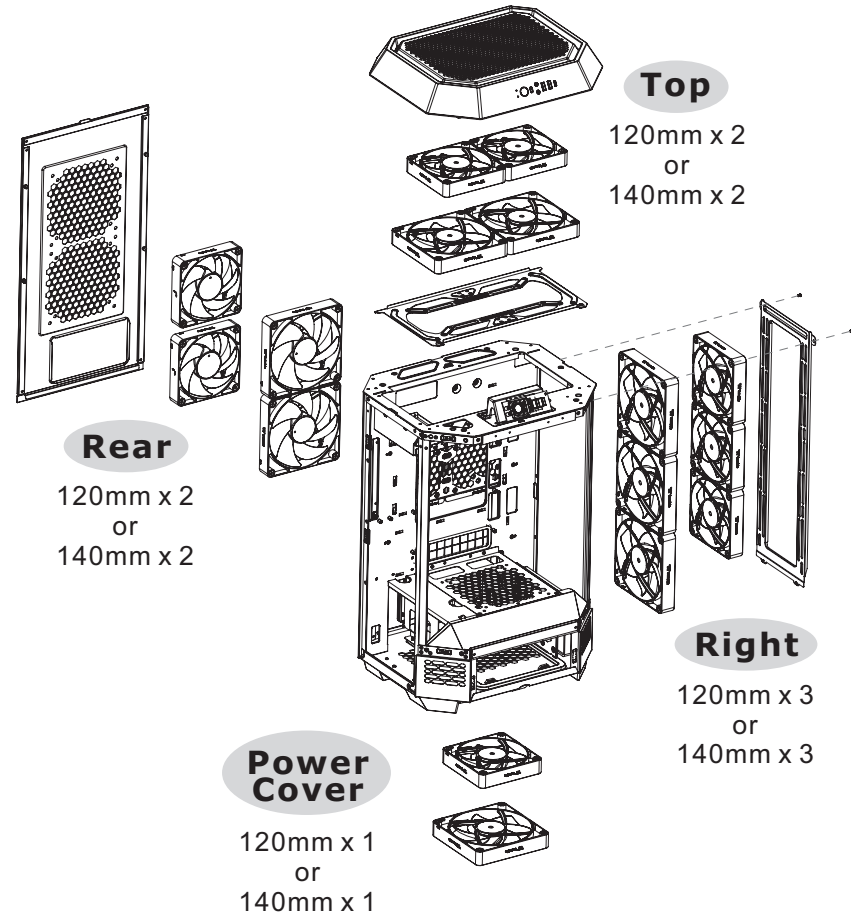




1



2



**Top**

120mm x 2  
or  
140mm x 2

**Rear**

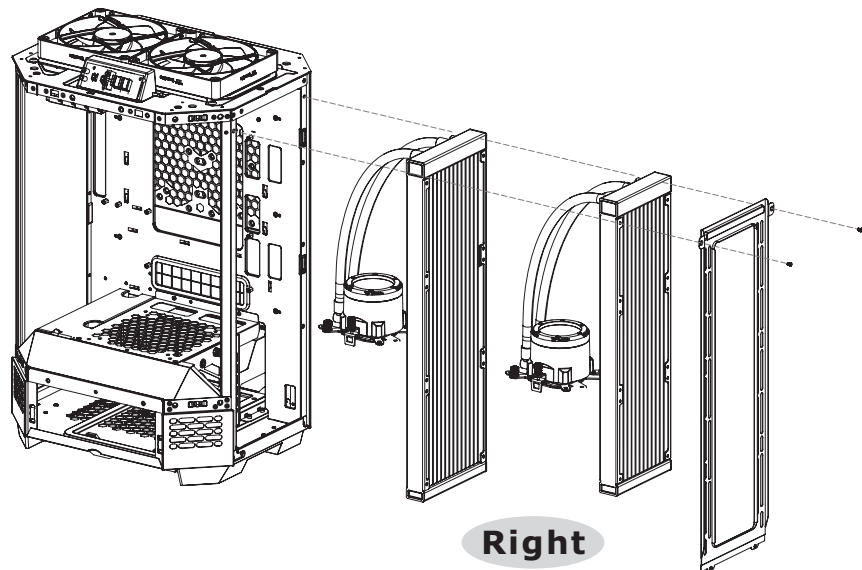
120mm x 2  
or  
140mm x 2

**Right**

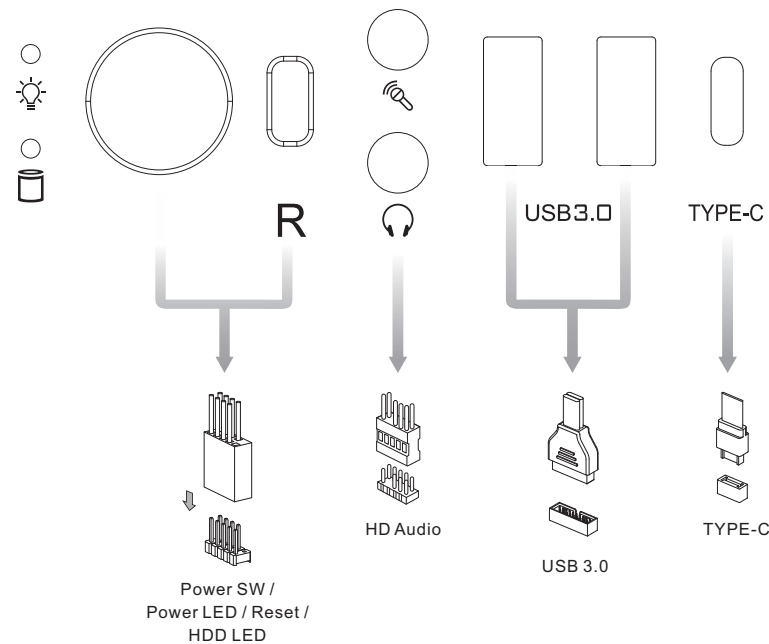
120mm x 3  
or  
140mm x 3

**Power Cover**

120mm x 1  
or  
140mm x 1



**Right**  
360mm x 1  
or  
420mm x 1



Motherboard Header Diagram

