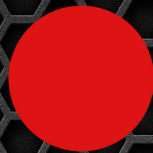


ThinkStation P7  
(Intel)  
User Guide

Lenovo  
**ThinkStation**



**Lenovo**

## **Read this first**

Before using this documentation and the product it supports, ensure that you read and understand the following:

- *Safety and Warranty Guide*
- [Generic Safety and Compliance Notices](#)
- *Setup Guide*

**Third Edition (December 2023)**

**© Copyright Lenovo 2023.**

LIMITED AND RESTRICTED RIGHTS NOTICE: If data or software is delivered pursuant to a General Services Administration "GSA" contract, use, reproduction, or disclosure is subject to restrictions set forth in Contract No. GS-35F-05925.

---

# Contents

## Discover your Lenovo computer . . . . .iii

### Chapter 1. Meet your computer . . . . . 1

Side ventilation notice . . . . .	1
Front . . . . .	1
Rear . . . . .	3
Specifications . . . . .	5
Expand your computer . . . . .	7
USB specifications . . . . .	8
The Vantage app . . . . .	8

### Chapter 2. Get started with your computer . . . . . 11

Connect an external display . . . . .	11
Lock the computer . . . . .	11
Access networks . . . . .	12
Transfer data . . . . .	13
Diagnostics . . . . .	14
Troubleshooting and FAQs . . . . .	15
Recovery . . . . .	15

### Chapter 3. Advanced configurations . . . . . 17

Set the power plan . . . . .	17
Use software security solutions. . . . .	17
Use BIOS security solutions . . . . .	17
UEFI BIOS passwords . . . . .	19
What is UEFI BIOS. . . . .	20
Enter the BIOS menu. . . . .	20
Navigate in the BIOS interface . . . . .	20
Change the display language of UEFI BIOS . . . . .	20
Change the display mode of UEFI BIOS (for selected models) . . . . .	21
Set the system date and time . . . . .	21
Change the priority boot order . . . . .	21
Enable or disable the configuration change detection feature . . . . .	22
Enable or disable the automatic power-on feature . . . . .	22
Enable or disable the ErP LPS compliance mode. . . . .	22
Change BIOS settings before installing a new operating system . . . . .	23
Update UEFI BIOS. . . . .	23
Reset system to factory default. . . . .	24
View UEFI BIOS Event logs . . . . .	24

### Chapter 4. RAID . . . . . 27

What is RAID . . . . .	27
------------------------	----

Configure RAID with Intel RSTe. . . . .	27
Configure RAID with AVAGO MegaRAID Configuration Utility . . . . .	28
Configure RAID with Intel Virtual RAID on CPU. . . . .	30

### Chapter 5. CRU replacement . . . . . 33

CRU list . . . . .	33
System board . . . . .	34
ThinkStation logo badge . . . . .	36
ID badge . . . . .	37
Top cover . . . . .	37
Wi-Fi antenna cover . . . . .	39
Side cover . . . . .	40
NVLINK retainer. . . . .	42
Optional hard disk drive. . . . .	43
CPU duct . . . . .	44
Hard disk drive in the internal storage drive bay . . . . .	45
Solid-state drive bracket in internal storage drive bay. . . . .	47
Vertical M.2 solid-state drive module . . . . .	48
M.2 solid-state drive . . . . .	49
Front fan . . . . .	51
Rear fan. . . . .	52
Upper PCIe fan . . . . .	53
Hard disk drive and lower PCIe fan . . . . .	54
Memory fan kit . . . . .	56
Front panel I/O assembly . . . . .	58
ThinkStation LED cable and holder . . . . .	59
NVLINK bridge . . . . .	60
PCIe card bracket . . . . .	61
PCIe card and extender. . . . .	62
M.2 solid-state drive on an M.2 solid-state drive PCIe adapter . . . . .	67
Flex bay fan . . . . .	71
Storage box in flex module . . . . .	71
M.2 solid-state drive in storage box . . . . .	72
Flex module . . . . .	73
15-in-1 Media card reader. . . . .	75
Internal speaker. . . . .	76
Power supply assembly. . . . .	76

### Chapter 6. Help and support . . . . . 79

Self-help resources . . . . .	79
Call Lenovo . . . . .	80
Certification-related information . . . . .	81
Compliance information . . . . .	81
Purchase accessories . . . . .	82

Purchase additional services. . . . . 82

**Appendix A. Notices and  
trademarks. . . . . 83**

---

## Discover your Lenovo computer

**Thank you for choosing a Lenovo® computer! We are dedicated to delivering the best solution to you.**

Before starting your tour, please read the following information:

- Illustrations in this documentation might look different from your product.
- Depending on the model, some optional accessories, features, software programs, and user interface instructions might not be applicable to your computer.
- Documentation content is subject to change without notice. To get the latest documentation, go to <https://pcsupport.lenovo.com>.



---

# Chapter 1. Meet your computer

---

## Side ventilation notice

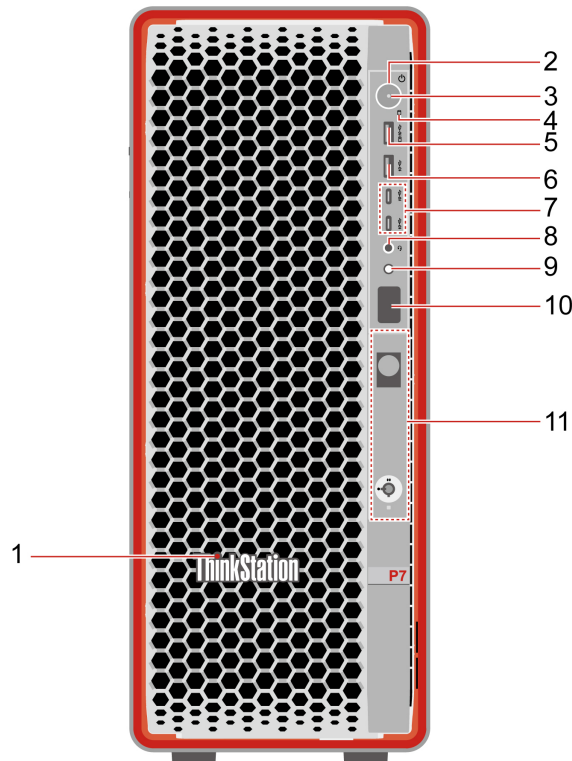
Side ventilation design is available on some models. Pay attention to the ventilation distance requirements for models with different configurations:

- Systems configured with rear-exhausting graphics cards (such as NVIDIA RTX 6000 Ada) do not require side ventilation.
- Systems configured with internal-exhausting graphics cards (such as GeForce RTX 4070 and GeForce RTX 4080) require side ventilation. Do not block air vents on the left side cover. To ensure heat dissipation, do not place any objects within 4.5 cm (1.8 inches) or 1 rack unit from the left side cover.
- For rack-mounted systems, a rack spacer is recommended in the gap above the system.

**Note:** Do not install internal-exhausting graphics cards (such as GeForce RTX 4070 and GeForce RTX 4080) on systems without side ventilation on the left side cover.

---

## Front



Item	Description	Item	Description
1	ThinkStation® LED	2	Power button
3	Power indicator	4	Storage indicator
5	Always On USB-A 3.2 Gen 2 connector*	6	USB-A 3.2 Gen 2 connectors*
7	USB-C® (3.2 Gen 2) connectors*	8	Headset connector

Item	Description	Item	Description
9	Diagnostic LCD switch	10	Diagnostic LCD
11	Flex module*		

\* for selected models

### Statement on USB transfer rate

Depending on many factors such as the processing capability of the host and peripheral devices, file attributes, and other factors related to system configuration and operating environments, the actual transfer rate using the various USB connectors on this device will vary and will be slower than the data rate listed below for each corresponding device.

USB device	Data rate (Gbit/s)
3.2 Gen 1	5
3.2 Gen 2	10
3.2 Gen 2 × 2	20
Thunderbolt 3	40
Thunderbolt 4	40

### Power indicator

Show the system status of your computer.

- **On:** The computer is starting up or working.
- **Off:** The computer is off or in hibernation mode.
- **Blinking slowly:** The computer is in sleep mode.

### Always On USB-A 3.2 Gen 2 connector

With the Always On USB feature enabled, the Always On USB-A 3.2 Gen 2 connector can charge a USB-A compatible device when the computer is on, off, in sleep mode, or in hibernation mode.

To enable the Always On USB feature, do the following:

1. Enter the UEFI BIOS menu. See “Enter the BIOS menu” on page 20.
2. Click **Devices** → **USB Setup** → **Front USB Ports** → **USB Port 2** to enable the Always On USB feature.

### Diagnostic LCD switch

Use the diagnostic LCD switch to turn on or turn off the diagnostic LCD, and handle occurred events.

Status	Behavior and function
No event	<b>Short press:</b> Turn on or turn off the diagnostic LCD. Date and time will be displayed on the LCD when it is turned on. The LCD will turn off automatically if idle for three minutes.
Error events occur	The diagnostic LCD will turn on automatically when an error event occurs. <ul style="list-style-type: none"> <li>• <b>Short press (when multiple events occur):</b> Switch among error events and display the corresponding QR code of the selected event.</li> <li>• <b>Long press (about 3 seconds):</b> Clear the selected event.</li> </ul>



## Diagnostic LCD

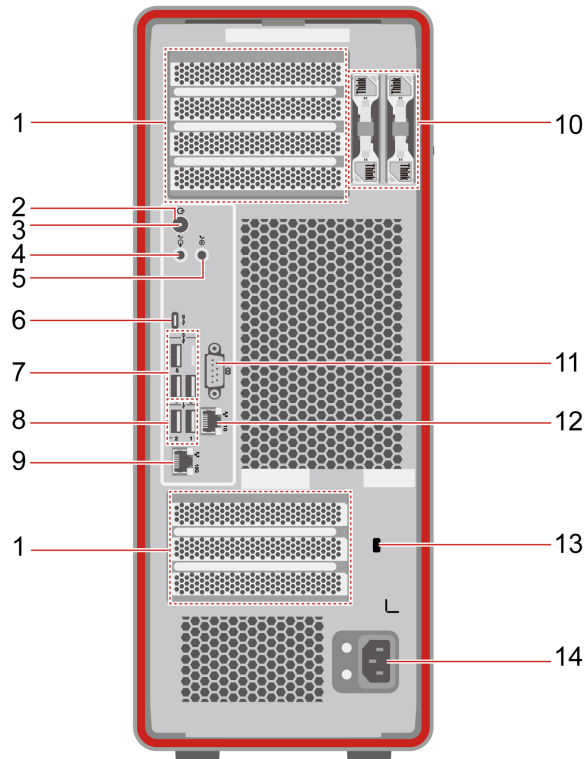
Display the diagnostic information when an issue or error is detected. You can decode the error code at <https://www.thinkworkstationsoftware.com/codes>.

### Related topics

- “Transfer data” on page 13.
- “USB specifications” on page 8.

---

## Rear



Item	Description	Item	Description
1.	PCI-Express card areas	2.	Power button
3.	Power indicator	4.	Audio line-out connector
5.	Audio line-in connector	6.	USB-C® (3.2 Gen 2×2 ) connector
7.	USB-A 3.2 Gen 2 connectors	8.	USB-A 2.0 connectors
9.	Ethernet connector (10G)	10.	Lock kits
11.	Serial connector*	12.	Ethernet connector (1G)
13.	Security-lock slot	14.	Power cord connector

\* for selected models

### Serial connector

Connect an external modem, a serial printer, or other devices that use a serial connector.

### **PCI-Express card areas**

Install PCI-Express cards into these areas to improve the operating performance of the computer. Depending on the computer model, the video output connectors in these areas might be HDMI™ connectors, DisplayPort™ connectors or Mini DisplayPort™ connectors.

### **Related topics**

- “Lock the computer” on page 11.
- “Connect an external display” on page 11.
- “USB specifications” on page 8.

---

## Specifications

---

Specification	Description
<b>Dimensions</b>	<ul style="list-style-type: none"><li>• Width: 175mm (6.9 inches)</li><li>• Height: 440 mm (17.3 inches, with feet)</li><li>• Depth: 508 mm (20 inches)</li></ul>
<b>Weight (without packaging)</b>	Maximum configuration as shipped: 24.5kg (54 lb)
<b>Hardware configuration</b>	Type Device Manager in the Windows search box and then press Enter. Type the administrator password or provide confirmation, if prompted.
<b>Power supply</b>	<ul style="list-style-type: none"><li>• 1000-watt 92% power supply</li><li>• 1400-watt 92% power supply</li></ul>
<b>Electrical input</b>	<ul style="list-style-type: none"><li>• Input voltage: From 100 V ac to 240 V ac</li><li>• Input frequency: 50/60 Hz</li></ul>
<b>Memory</b>	Up to eight double data rate 5 (DDR5) error correction code (ECC) registered dual inline memory modules (RDIMMs)  Maximum memory capacity: Up to 2 TB (8 x 256 GB if available)
<b>Storage device</b>	<ul style="list-style-type: none"><li>• 3.5-inch hard disk drive*</li><li>• M.2 solid-state drive*</li></ul> <p><b>Notes:</b></p> <ul style="list-style-type: none"><li>• The M.2 solid-state drive in the flex module is hot-swappable.</li><li>• To view the storage drive capacity of your computer, type Disk Management in the Windows search box and then press Enter.</li><li>• The storage drive capacity indicated by the system is less than the nominal capacity.</li></ul>
<b>Video features</b>	<ul style="list-style-type: none"><li>• PCIe x16 card slots on the system board for a discrete graphics card</li><li>• Video connectors on a discrete graphics card:<ul style="list-style-type: none"><li>– DisplayPort connector*</li><li>– Mini DisplayPort connector*</li><li>– HDMI out connector*</li></ul></li></ul>
<b>Expansion</b>	<ul style="list-style-type: none"><li>• Flex bay*</li><li>• Memory slots</li><li>• M.2 solid-state drive slots</li><li>• Storage drive bay</li><li>• PCI-Express slots</li></ul>
<b>Network features</b>	<ul style="list-style-type: none"><li>• Bluetooth*</li><li>• Ethernet LAN</li><li>• Wireless LAN*</li></ul>

\* for selected models

## Operating environment

### Maximum altitude (without pressurization)

- Operating: From 0 m (0 ft) to 3048 m (10 000 ft)
- Storage: From 0 m (0 ft) to 12192 m (40 000 ft)

### Temperature

- Operating: From 10°C (50°F) to 35°C (95°F)
- Storage: From -40°C (-40°F) to 60°C (140°F)

### Relative humidity

- Operating: 20%-80% (non-condensing)
- Storage: 10%–90% (non-condensing)

### System memory speed

The Intel Xeon® or Intel Core™ microprocessor families compatible with this ThinkStation computer feature an integrated memory controller. The memory controller provides the microprocessor with direct access to the system memory. Therefore, the system memory speed will be determined by the memory module type, frequency, size (capacity), the number of memory modules installed, and the microprocessor model.

#### Notes:

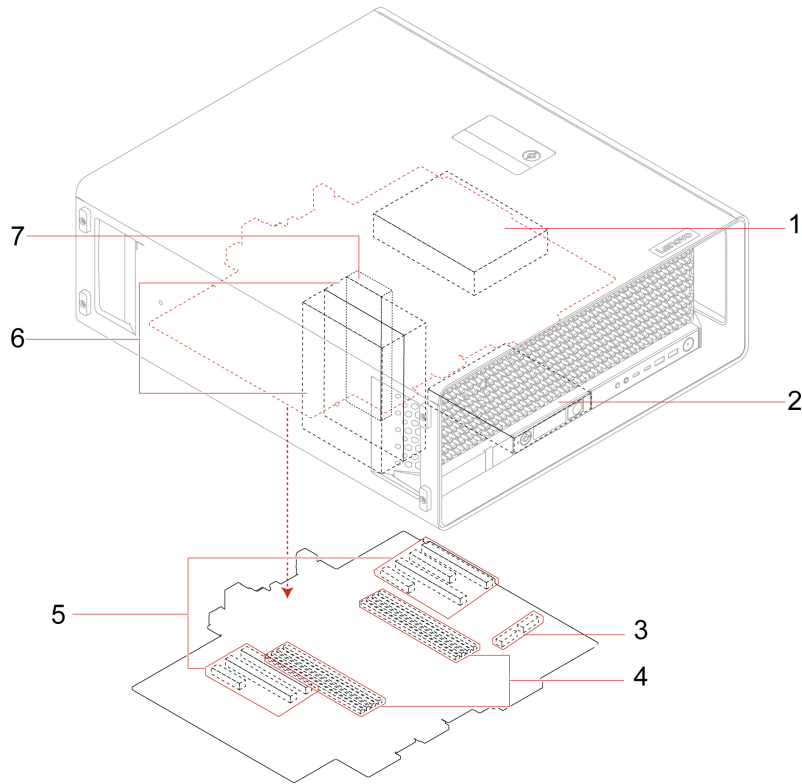
- The actual system memory speed of the memory modules varies depending on the microprocessor model. For example, your computer comes with 2666 MT/s memory modules, but the microprocessor only supports up to 2400 MT/s memory modules. Then the system memory speed will be no faster than 2400 MT/s.
- The microprocessor models supported in your computer might vary. For a list of supported microprocessor models, contact the Lenovo Customer Support Center.

Refer to the following information about the system memory speed:

- **Memory module types:** DDR5 ECC RDIMMs
- **Memory module speed:** 4800 MT/s

## Expand your computer

You can enhance your computer capacity and performance by adding various devices according to the following rules:

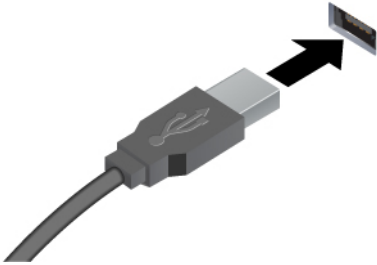


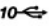
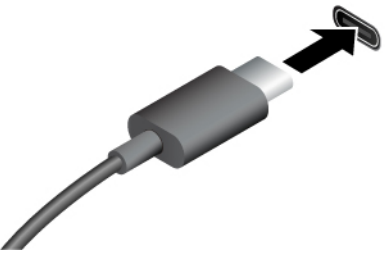


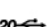




Item	Description
1. Optional hard disk drive bay*	You can install a 3.5-inch hard disk drive in the optional storage drive bay in selected modules.
2. Flex bay*	Depending on your computer model, one of the following devices might be installed in the flex bay: <ul style="list-style-type: none"> <li>• Flex module*</li> <li>• 15-in-1 media card reader*</li> </ul> In flex module, you can install an M.2 solid-state drive* (hot-swappable) with a storage box.
3. On-board horizontal M.2 solid-state drive slots	Up to two horizontal M.2 solid-state drives are installed in selected models.
4. Memory slots	Up to eight memory modules are installed in selected models.
5. PCI-Express slots	You can install compatible PCI-Express cards in the PCI-Express slots.
6. Internal storage drive bay	You can install hard disk drives and solid-state drives in the internal storage drive bay.
7. On-board vertical Solid-state drive slot*	You can install one vertical M.2 solid-state drive in selected models.

---

## USB specifications

**Note:** Depending on the model, some USB connectors might not be available on your computer.

Connector name	Description
 <ul style="list-style-type: none"><li>•  USB-A 2.0 connector</li><li>•  USB-A 3.2 Gen 1 connector</li><li>•  USB-A 3.2 Gen 2 connector</li></ul>	<p>Connect USB-A compatible devices, such as a USB-A keyboard, USB-A mouse, USB-A storage device, or USB-A printer.</p>
 <ul style="list-style-type: none"><li>•  USB-C (3.2 Gen 1) connector</li><li>•  USB-C (3.2 Gen 2) connector</li><li>•  USB-C (3.2 Gen 2x2)connector</li><li>•  USB-C (Thunderbolt 3) connector</li><li>•  USB-C (Thunderbolt 4) connector</li></ul>	<ul style="list-style-type: none"><li>• Charge USB-C compatible devices with the output voltage and current of 5 V and 3 A.</li><li>• Connect to an external display:<ul style="list-style-type: none"><li>– USB-C to VGA: 1920 x 1200 pixels, 60 Hz</li><li>– USB-C to DP: 3840 x 2160 pixels, 60 Hz</li></ul></li><li>• Connect to USB-C accessories to help expand your computer functionality. To purchase USB-C accessories, go to <a href="https://www.lenovo.com/accessories">https://www.lenovo.com/accessories</a>.</li></ul>

---

## The Vantage app

The preinstalled Vantage app is a customized one-stop solution to help you maintain your computer with automated updates and fixes, configure hardware settings, and get personalized support.

To access the Vantage app, type Vantage in the Windows search box.

### Key features

The Vantage app enables you to:

- Know the device status easily and customize device settings.
- Download and install UEFI BIOS, firmware and driver updates to keep your computer up-to-date.
- Monitor your computer health, and secure your computer against outside threats.
- Scan your computer hardware and diagnose hardware problems.

- Look up warranty status (online).
- Access *User Guide* and helpful articles.

**Notes:**

- The available features vary depending on the computer model.
- The Vantage app makes periodic updates of the features to keep improving your experience with your computer. The description of features might be different from that on your actual user interface.





---

## Chapter 2. Get started with your computer

---

### Connect an external display

Connect a projector or a monitor to your computer to give presentations or expand your workspace.

### Connect a wireless display

Ensure that both your computer and the wireless display support Miracast®.

Press Windows logo key + K and then select a wireless display to connect.

### Change display settings

1. Right-click a blank area on the desktop and select display settings.
2. Select the display that you want to configure and change display settings of your preference.

---

## Lock the computer

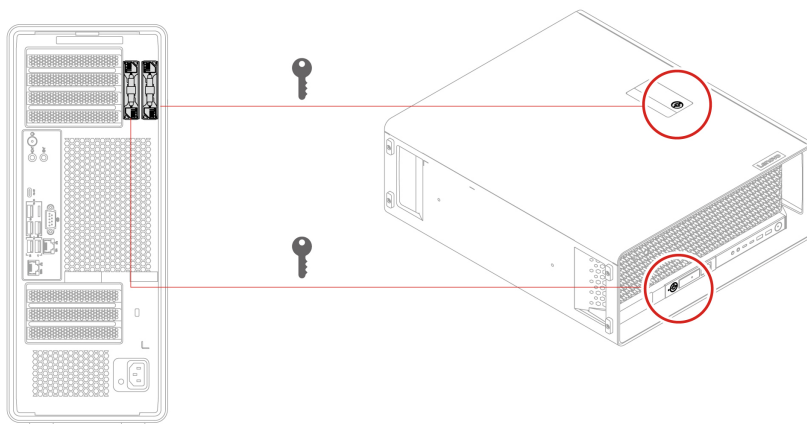
**Note:** Lenovo makes no comments, judgments, or warranties about the function, quality, or performance of the locking device and security feature. You can purchase computer locks from Lenovo.

### Key lock

Locking the side cover and flex module through a key lock prevents unauthorized access to the inside of your computer or storage drives. The keys for the key lock are attached to the rear of the machine and flex module bracket. For security, store the keys in a secure place when you are not using them.

### Notes:

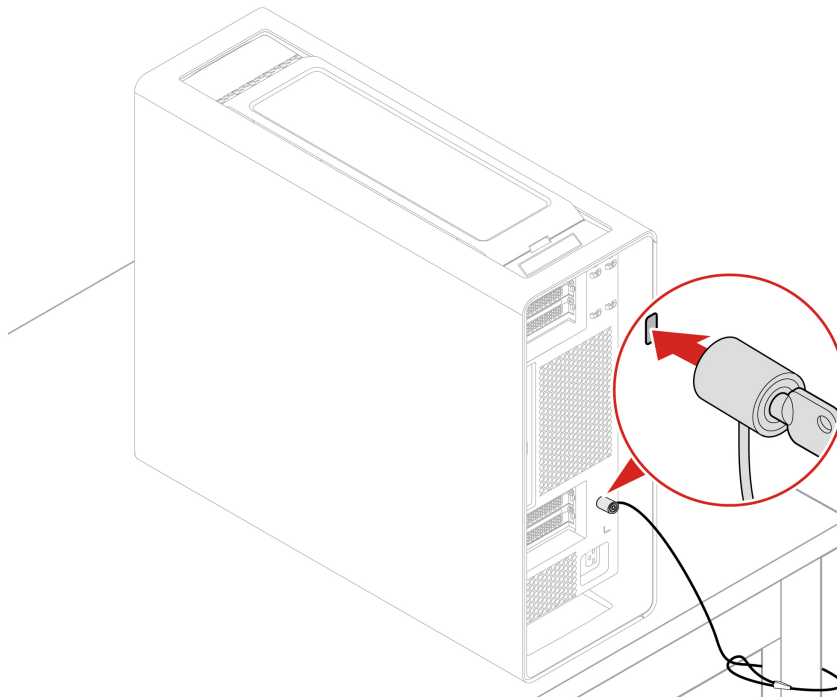
- You can install or replace storage drive in the flex module. Lock the flex module to prevent the unexpected removal. The storage drive also can be hot-swappable, which means that you can install or replace the drive without even turning off your computer. Therefore, lock the flex module to prevent the unexpected removal.
- The key can be common or random, that is, use one key for multiple locks or one key for one lock. For details, see the table below:



Lock location	Key description
Side cover	<p>The key for the side cover might be one of the following:</p> <ul style="list-style-type: none"> <li>• Common key carved with 00: The same key can open locks for side cover and flex module on the same computer or on different computers.</li> <li>• Random key carved with R and xx, for example, 01, 02, and 03: The same key can open locks for side cover and flex module on the same computer, but cannot open locks for side cover and flex module on other P7 computers.</li> </ul>
Flex module	<p>The key for the flex module might be one of the following:</p> <ul style="list-style-type: none"> <li>• Common key carved with 00: The same key can open locks for side cover and flex module on the same computer or on different computers.</li> <li>• Random key carved with R and xx, for example, 01, 02, and 03: The same key can open locks for the side cover and the flex module on the same computer, but cannot open locks for the side cover and the flex module on other P7 computers.</li> </ul>

## Security lock

Lock your computer to a desk, table, or other fixtures through a security lock.



## Access networks

This section helps you access networks through connecting to a wired or wireless network.

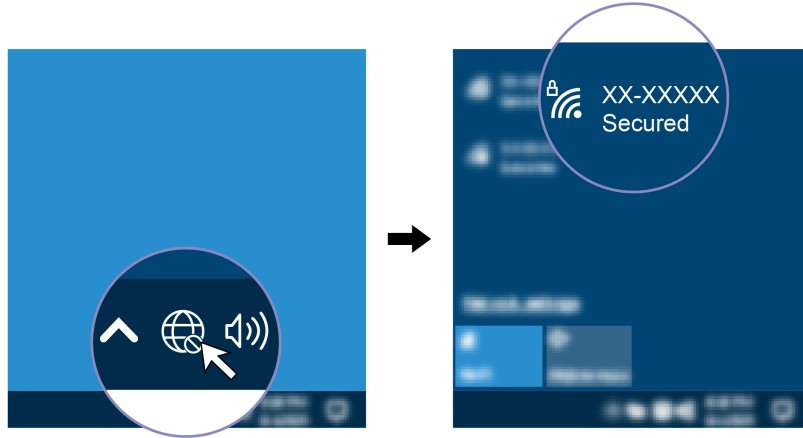
### Connect to the wired Ethernet

Connect your computer to a local network through the Ethernet connector on your computer with an Ethernet cable.

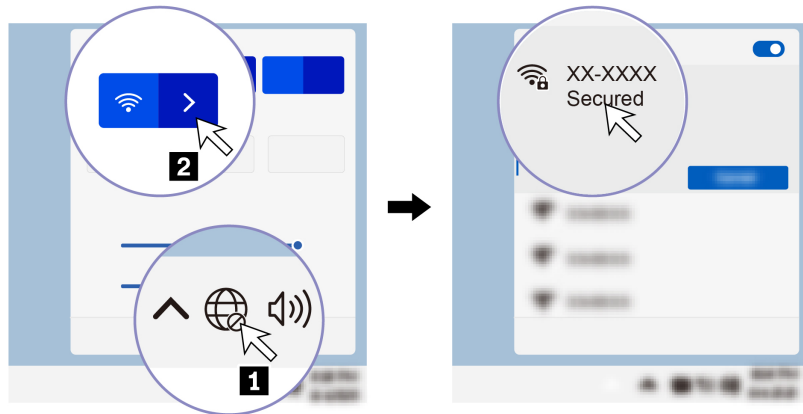
### Connect to Wi-Fi networks (for selected models)

Click the network icon in the Windows® notification area, and then select a network for connection. Provide required information, if needed.

- For models with Windows 10:



- For models with Windows 11:



---

## Transfer data

Quickly share your files using the built-in Bluetooth technology among devices with the same features. You also can install a disc or media card to transfer data.

### Connect to a Bluetooth-enabled device (for selected models)

You can connect all types of Bluetooth-enabled devices to your computer, such as a keyboard, a mouse, a smartphone, or speakers. Place the device that you are attempting to connect to less than 10 meters (33 feet) from the computer.



1. Type Bluetooth in the Windows search box and then press Enter.
2. Turn on Bluetooth, if it is off.
3. Select a Bluetooth device, and then follow the on-screen instructions.

### **Use a media card (for selected models)**

If your computer has a SD-card slot, read the following information.

#### **Install a media card**

1. Locate the SD-card slot.
2. Ensure that the metal contacts on the card are facing the ones in the SD-card slot. Insert the card firmly into the SD-card slot until it is secured in place.

#### **Remove a media card**

**Attention:** Before removing the card:

1. Click the triangular icon in the Windows notification area to show hidden icons. Right-click the icon prompting you to safely remove hardware and eject media.
2. Select the corresponding item to eject the card from the Windows operating system.
3. Press the card and remove it from your computer. Store the card safely for future use.

---

## **Diagnostics**

Use diagnostic solutions to test hardware components and report operating-system-controlled settings that interfere with the correct operation of your computer.

When an error message pops up in the Windows notification area, a four-digit error code is displayed on the diagnostic LCD (for selected models) on the front panel, or the diagnostic indicator on the front panel turns on, do one of the following:

- If ThinkStation Diagnostics can be launched properly:
  1. Click the error message or the ThinkStation Diagnostics icon to launch the program.
  2. All events are logged locally in the program. Locate the related event and view the event log to find possible solutions.

3. Record the four-digit error code displayed on the diagnostic LCD (for selected models) or in ThinkStation Diagnostics, and then decode the error at <https://www.thinkworkstationsoftware.com/codes>.

**Note:** You can download ThinkStation Diagnostics at <https://pcsupport.lenovo.com/lenovodiagnosicsolutions/downloads>.

- If your computer does not function:
  1. Use your smartphone to scan the QR code displayed on the diagnostic LCD to open <https://www.thinkworkstationsoftware.com/codes>.
  2. Decode the error according to the four-digit error code displayed on the diagnostic LCD.

For more information, go to <https://www.thinkworkstationsoftware.com/diags>.

### The Vantage app

The Vantage app is preinstalled on your computer. To diagnose problems with the Vantage app:

1. Type Vantage in the Windows search box and press Enter.
2. Follow the on-screen instructions and run a hardware scan.

If you are unable to isolate and resolve the problem after running the Vantage app, save and print the log files created by the program. You might need the log files when you speak to a Lenovo technical support representative.

---

## Troubleshooting and FAQs

This section lists online access to troubleshoot your computer and to frequently asked questions in Lenovo forums. For more information, go to: <https://www.lenovo.com/tips>, or <https://forums.lenovo.com>.

---

## Recovery

Use the following recovery options to reset or restore your computer when your computer comes with issues.

- Use Lenovo recovery options.
  1. Go to <https://support.lenovo.com/HowToCreateLenovoRecovery>.
  2. Follow the on-screen instructions.
- Use Windows recovery options.
  1. Go to <https://pcsupport.lenovo.com>.
  2. Detect your computer or manually select your computer model.
  3. Navigate to the troubleshooting menu to diagnose the operating system for recovery instructions.



---

## Chapter 3. Advanced configurations

---

### Set the power plan

For ENERGY STAR® compliant computers, the following power plan takes effect when your computers have been idle for a specified duration:

- Turn off the display: After 10 minutes
- Put the computer to sleep: After 25 minutes

To awaken the computer from Sleep mode, press any key on your keyboard.

To reset the power plan:

1. Type **Power Options** in the Windows search box and then press **Enter**.
2. Choose or customize a power plan of your preference.

---

### Use software security solutions

The following software solutions help secure your computer and information.

- **Windows Security**

Windows Security is a software built-in to the operating system. It continually scans for malicious software, viruses, and other security threats. Besides, Windows updates are downloaded automatically to help keep your computer safe. Windows Security also enables you to manage tools including firewall, account protection, application and browser control, and so on.

- **Antivirus programs**

Lenovo preinstalls a full-version antivirus software on selected models of computer. It helps defend the computer against viruses, safeguard your identity, and keep your personal information secured.

- **Absolute Persistence**

Absolute Persistence technology is embedded in firmware. It detects changes that happen on the hardware, software, or the call-in location. It keeps you always knowing what condition the computer is in. To activate the technology, you have to purchase a subscription to Absolute.

**Note:** For more information about how to use these software solutions, refer to their help systems respectively.

---

### Use BIOS security solutions

This section provides BIOS solutions to secure your computer and information.

#### Wipe the storage drive data

It is recommended that you wipe the storage drive data before recycling the storage drive or the computer.

To wipe the storage drive data:

1. Restart the computer. When the logo screen is displayed, press **F1** or **Fn+F1**.
2. Select **Security** → **secure wipe** → **Enabled**.
3. Press **F10** or **Fn+F10** to save the changes and exit.
4. Restart the computer. When the logo screen is displayed, press **F12** or **Fn+F12**.

5. Select **App Menu** → **secure wipe** and press Enter.
6. Select the storage drive you will wipe and click **NEXT**.
7. Select the entire storage drive or partition to wipe as desired.
8. Select the method as desired and click **NEXT**.
9. Click **Yes** to confirm your option when the prompting window is displayed.
10. If you have set a hard disk password for the storage drive, enter the password. Otherwise, set a temporary password following the on-screen instructions. Then, click **NEXT**. The wiping process begins.

**Note:** Duration of the wiping process varies depending on the storage drive capacity.

11. Click **Reboot** when you are prompted to reset the system, and then one of the following will happen:
  - If the system storage drive data is wiped, you will be prompted that no operating system is found.
  - If the non-system storage drive data is wiped, the computer restarts automatically.

### Cover presence switch

The cover presence switch prevents the computer from logging in to the operating system when the computer cover is not properly installed or closed.

To enable the cover presence switch connector on the system board:

1. Restart the computer. When the logo screen is displayed, press F1 or Fn+F1.
2. Select **Security** → **Cover Tamper Detected** and press Enter.
3. Select **Enabled** and press Enter.
4. Press F10 or Fn+F10 to save the changes and exit.

If the cover presence switch is enabled and the computer cover is not correctly installed or closed, an error message will be displayed when you turn on the computer. To bypass the error message and log in to the operating system:

1. Properly install or close the computer cover.
2. Enter the BIOS menu, save and then exit.

### Intel BIOS guard

The Intel® BIOS Guard module cryptographically verifies all BIOS updates. This hardware-based security helps prevent software and malware attacks on the computers BIOS.

### Smart USB Protection

The Smart USB Protection function is a security function that helps prevent data from being copied from the computer to USB storage devices connected to the computer. You can set the Smart USB Protection function to one of the following modes:

- **Disabled** (default setting): You can use the USB storage devices without limitation.
- **Read Only**: You cannot copy data from the computer to the USB storage devices. However, you can access data on the USB storage devices.
- **No Access**: You cannot access the USB storage devices from the computer.

To configure the Smart USB Protection function:

1. Restart the computer. When the logo screen is displayed, press F1 or Fn+F1.
2. Select **Security** → **Smart USB Protection** and press Enter.
3. Select the desired setting and press Enter.



4. Press F10 or Fn+F10 to save the changes and exit.

---

## UEFI BIOS passwords

You can set passwords in UEFI (Unified Extensible Firmware Interface) BIOS (Basic Input/Output System) to strengthen the security of your computer.

### Password types

You can set a power-on password, supervisor password, system management password, or hard disk password in UEFI BIOS to prevent unauthorized access to your computer. However, you are not prompted to enter any UEFI BIOS password when your computer resumes from sleep mode.

- Power-on password

When a power-on password is set, you are prompted to enter a valid password each time the computer is turned on.

- Supervisor password

Setting a supervisor password deters unauthorized users from changing configuration settings. If you are responsible for maintaining the configuration settings of several computers, you might want to set a supervisor password.

When a supervisor password is set, you are prompted to enter a valid password each time you try to enter the BIOS menu.

If both the power-on password and supervisor password are set, you can enter either password. However, you must use your supervisor password to change any configuration settings.

- Hard disk password

Setting a hard disk password prevents unauthorized access to the data on the storage drive. When a hard disk password is set, you are prompted to enter a valid password each time you try to access the storage drive.

**Note:** After you set a hard disk password, your data on the storage drive is protected even if the storage drive is removed from one computer and installed in another.

- System management password (for selected models)

You can enable the system management password to have the same authority as the supervisor password to control security related features. To customize the authority of the system management password through the UEFI BIOS menu:

1. Restart the computer. When the logo screen is displayed, press F1 or Fn+F1.
2. Select **Security** → **System Management Password Access Control**.
3. Follow the on-screen instructions.

If you have set both the supervisor password and the system management password, the supervisor password overrides the system management password.

### Set, change, and remove a password

Before you start, print these instructions.

1. Restart the computer. When the logo screen is displayed, press F1 or Fn+F1.
2. Select **Security**.
3. Depending on the password type, select **Set Supervisor Password**, **Set Power-On Password**, **Set System Management Password**, or **Hard Disk Password** and press Enter.
4. Follow the on-screen instructions to set, change, or remove a password.
5. Press F10 or Fn+F10 to save the changes and exit.

You should record your passwords and store them in a safe place. If you forget the passwords, contact a Lenovo-authorized service provider.

**Note:** If the hard disk password is forgotten, Lenovo cannot remove the password or recover data from the storage drive.

---

## What is UEFI BIOS

**Note:** The operating system settings might override any similar settings in UEFI BIOS.

UEFI BIOS is the first program that the computer runs when the computer is turned on. UEFI BIOS initializes the hardware components and loads the operating system and other programs. Your computer comes with a setup program with which you can change UEFI BIOS settings.

---

## Enter the BIOS menu

Restart the computer. When the logo screen is displayed, press F1 or Fn+F1 to enter the BIOS menu.

**Note:** If you have set BIOS passwords, enter the correct passwords when prompted. You also can select **No** or press Esc to skip the password prompt and enter the BIOS menu. However, you cannot change the system configurations that are protected by passwords.

---

## Navigate in the BIOS interface

**Attention:** The default configurations are already optimized for you in **boldface**. Improper change of the configurations might cause unexpected results.

Depending on your keyboard, you can navigate in the BIOS interface by pressing the following keys, or combinations of Fn and the following keys:

Key	Function
F1 or Fn+F1	General Help
Esc or Fn+Esc	Exit the submenu
↑ ↓ or Fn+↑ ↓	Locate an item
← → or Fn+← →	Move keyboard focus
+/- or Fn++/-	Change value
Enter	Enter the submenu
F9 or Fn+F9	Setup Defaults
F10 or Fn+F10	Save and exit

---

## Change the display language of UEFI BIOS

UEFI BIOS supports three or four display languages: English, French, simplified Chinese, and Russian (for selected models).

To change the display language of UEFI BIOS:

1. Select **Main → Language** and press Enter.
2. Set the display language as desired.

---

## Change the display mode of UEFI BIOS (for selected models)

You can use UEFI BIOS in the graphic mode or the text mode according to your needs.

The keys on the keyboard used to perform various tasks are displayed at the bottom of the screen. In addition to the keyboard, you also can use the mouse to make selections.

To change the display mode of UEFI BIOS:

1. Restart the computer. When the logo screen is displayed, press F1 or Fn+F1.
2. Select **Main → Setup Mode Select** and press Enter.
3. Set the display mode as desired.

---

## Set the system date and time

1. Restart the computer. When the logo screen is displayed, press F1 or Fn+F1.
2. Select **Main → System Time & Date** and press Enter.
3. Set the system date and time as desired.
4. Press F10 or Fn+F10 to save the changes and exit.

---

## Change the priority boot order

If the computer does not boot from a device as expected, you can change the boot priority order permanently or select a temporary boot device.

### Change the priority boot order permanently

1. Depending on the type of the storage device, do one of the following:
  - If the storage device is internal, go to step 2.
  - If the storage device is a disc, ensure that the computer is on or turn on the computer. Then, insert the disc into the optical drive.
  - If the storage device is an external device other than a disc, connect the storage device to the computer.
2. Restart the computer. When the logo screen is displayed, press F1 or Fn+F1.
3. Select **Startup → Priority Boot Order**, and then follow the on-screen instructions to change the boot priority order.
4. You can also select the first priority device group by selecting **Startup → First Boot Device**, and then follow the on-screen instructions to select the first boot device within this group. Your computer will boot from the first boot device before trying the boot priority order you set in the previous step.
5. Press F10 or Fn+F10 to save the changes and exit.

### Select a temporary boot device

**Note:** Not all discs and storage drives are bootable.

1. Depending on the type of the storage device, do one of the following:
  - If the storage device is internal, go to step 2.
  - If the storage device is a disc, ensure that the computer is on or turn on the computer. Then, insert the disc into the optical drive.
  - If the storage device is an external device other than a disc, connect the storage device to the computer.

2. Restart the computer. When the logo screen is displayed, press F12 or Fn+F12.
3. Select the storage device as desired and press Enter.

If you want to change the boot priority order permanently, select **Enter Setup** on Startup Device Menu and press Enter to enter the BIOS menu.

---

## Enable or disable the configuration change detection feature

If you enable configuration change detection, when the POST detects configuration changes of some hardware devices (such as storage drives or memory modules), an error message will be displayed when you turn on the computer.

To enable or disable the configuration change detection feature:

1. Restart the computer. When the logo screen is displayed, press F1 or Fn+F1.
2. Select **Security → Configuration Change Detection** and press Enter.
3. Enable or disable the feature as desired.
4. Press F10 or Fn+F10 to save the changes and exit.

To bypass the error message and log in to the operating system, press F2 or Fn+F2. To clear the error message, enter the BIOS menu, save and then exit.

---

## Enable or disable the automatic power-on feature

The Automatic Power On item in UEFI BIOS provides various options for you to make your computer start up automatically.

To enable or disable the automatic power-on feature:

1. Restart the computer. When the logo screen is displayed, press F1 or Fn+F1.
2. Select **Power → Automatic Power On** and press Enter.
3. Select the feature as desired and press Enter.
4. Enable or disable the feature as desired.
5. Press F10 or Fn+F10 to save the changes and exit.

---

## Enable or disable the ErP LPS compliance mode

Lenovo computers meet the eco-design requirements of the ErP Lot 3 regulation. For more information, go to:

<https://www.lenovo.com/us/en/compliance/eco-declaration>

You can enable the ErP LPS compliance mode to reduce the consumption of electricity when the computer is off or in sleep mode.

To enable or disable the ErP LPS compliance mode:

1. Restart the computer. When the logo screen is displayed, press F1 or Fn+F1.
2. Select **Power → Enhanced Power Saving Mode** and press Enter.
3. Depending on whether you select **Enabled** or **Disabled**, do one of the following:
  - If you select **Enabled**, press Enter. Then, select **Power → Automatic Power On** and press Enter. Check whether the Wake on LAN feature is disabled automatically. If no, disable it.
  - If you select **Disabled**, press Enter. Then, go to the next step.

4. Press F10 or Fn+F10 to save the changes and exit.

When the ErP LPS compliance mode is enabled, you can wake up the computer by doing one of the following:

- Press the power button.
- Enable the Wake Up on Alarm feature to make the computer wake up at a set time.

To meet the off mode requirement of ErP compliance, you need to disable the Fast Startup function.

1. Go to **Control Panel** and view by large icons or small icons.
2. Click **Power Options → Choose what the power buttons do → Change settings that are currently unavailable**.
3. Clear the **Turn on fast startup (recommended)** option from the **Shutdown settings** list.

---

## Change BIOS settings before installing a new operating system

BIOS settings vary by operating system. Change the BIOS settings before installing a new operating system.

Microsoft constantly makes updates to the Windows operating system. Before installing a particular Windows version, check the compatibility list for the Windows version. For details, go to:

<https://support.lenovo.com/us/en/solutions/windows-support>

To change the BIOS settings:

1. Restart the computer. When the logo screen is displayed, press F1 or Fn+F1.
2. From the main interface, select **Security → Secure Boot** and press Enter.
3. Depending on the operating system to be installed, do one of the following:
  - To install a Windows operating system that supports secure boot, select **Enabled** for **Secure Boot**.
  - To install an operating system that does not support secure boot, such as some Linux operating systems, select **Disabled** for **Secure Boot**.
4. Press F10 or Fn+F10 to save the changes and exit.

---

## Update UEFI BIOS

When you install a new program, device driver, or hardware component, you might need to update UEFI BIOS. You can update the BIOS from your operating system or a flash update disc (supported only on selected models).

Download and install the latest UEFI BIOS update package by one of the following methods:

- From the Vantage app:
  - Open the Vantage app to check the available update packages. If the latest UEFI BIOS update package is available, follow the on-screen instructions to download and install the package.
- From the Lenovo Support Web site:
  1. Go to <https://pcsupport.lenovo.com>.
  2. Download the flash BIOS update driver for the operating system version or the ISO image version (used to create a flash update disc). Then, download the installation instructions for the flash BIOS update driver you have downloaded.
  3. Print the installation instructions and follow the instructions to update the BIOS.

---

## Reset system to factory default

This feature allows you to reset the UEFI BIOS to the factory default settings, including all UEFI BIOS settings and internal data. It helps you wipe user data in case that you want to dispose of or reuse your computer.

1. Restart the computer. When the logo screen is displayed, press F1 to enter the UEFI BIOS menu.
2. Select **Security** → **Reset system to Factory Default** and press Enter.
3. Several warning windows might be displayed. Do the following before resetting the system to the factory default settings:
  - a. Deactivate the Absolute Persistence Module.
  - b. Remove the NVMe password if you have set one.
4. For computer models with RAID settings, a window is displayed to remind you of data damage. Select **Yes** to proceed.
5. A window is displayed to confirm all UEFI BIOS settings will be reset. Select **Yes** to proceed.

**Note:** If the **Intel AMT control** and **Absolute Persistence(R) Module** are permanently disabled, these settings cannot be reset successfully.

6. Enter the supervisor password, system management password or power-on password in the window prompted.

Your computer will restart immediately. It takes a few minutes to complete the initialization process. Your computer screen might be blank during this process. This is normal and you should not interrupt it.

---

## View UEFI BIOS Event logs

The UEFI BIOS Event log viewer provides the brief information about UEFI BIOS events. Do the following to view the logs:

1. Restart the computer. When the logo screen is displayed, press F1.
2. Select **Main** → **BIOS Event log**. Then, press Enter. The UEFI BIOS Event log interface is displayed.
3. Navigate the interface by pressing the following keys, and then check details by selecting each item.
  - ↑ ↓: Move keyboard focus
  - PgUp / PgDn: Scroll page
  - Enter: Select
  - F3: Exit

The following UEFI BIOS event logs might be listed on your screen depending on UEFI BIOS activities. Each log consists of a date, a time, and a description of the event.

- **Power On** event: This log shows the Power On Self Test (POST) routine has started with the power-on process. It includes the power-on reason, the boot mode, and the shutdown reason.
- **Subcomponent Code Measurement** event: This log shows the subcomponent code measurement has worked. It includes the validation result of each component.
- **System Preboot Authentication** event: This log shows what credential is provided to gain preboot authentication. It includes the installed password, the password type, the input device, and the authentication result.
- **BIOS Password Change** event: This log shows the change history of the UEFI BIOS passwords. It includes the password type, the type and result of the event.
- **Subcomponent Self-healing** event: This log shows the information about the subcomponent where the recovery event occurred. It includes the cause and result of the event, and the recovered firmware version.

- **BIOS Setup Configuration Change** event: This log shows the change history of the UEFI BIOS Setup configuration. It includes the item name and value.
- **Device Change** event: This log shows the change history of devices. It includes the cause and type of the event.
- **System Boot** event: This log shows which device was utilized to boot the system. It includes the boot option, the description, and the file path list.
- **System Tamper** event: This log shows the occurrence of system tamper events. It includes the cause and type of the event.
- **POST Error** event: This log shows the occurrence of errors during the POST routine. It includes the error code.
- **Flash Update** event: This log shows the occurrence of flash update. It includes the cause and result of the event, and the updated firmware version.
- **Capsule Update** event: This log shows the occurrence of UEFI capsule firmware update. It includes the cause and result of the event, and the updated firmware version.
- **Log Cleared** event: This log shows UEFI BIOS event logs are cleared. It includes the cause and result of the event.
- **Shutdown / Reboot** event: This log shows the UEFI BIOS is successfully shut down or the system is rebooted. It includes the cause and type of the event.





---

## Chapter 4. RAID

---

### What is RAID

Redundant Array of Independent Disks (RAID) is a technology that provides increased storage functions and reliability through redundancy. It also can improve data storage reliability and fault tolerance compared with single-drive storage systems. Data loss resulting from a drive failure can be prevented by reconstructing missing data from the remaining drives.

When a group of independent physical storage drives is set up to use RAID technology, they are in a RAID array. This array distributes data across multiple storage drives, but the array appears to the host computer as one single storage unit. Creating and using RAID arrays provides high performance, such as the expedited I/O performance, because several drives can be accessed simultaneously.

---

### Configure RAID with Intel RSTe

If your computer comes with the Intel RSTe configuration utility, you can follow the sections below to configure RAID with Intel RSTe.

#### Storage drive requirements for RAID levels

Your computer supports the following RAID levels:

- RAID 0: striped disk array
  - Consists of at least two SATA storage drives
  - Supported strip size: 4 KB, 8 KB, 16 KB, 32 KB, 64 KB, or 128 KB
  - Better performance without fault tolerance
- RAID 1: mirrored disk array
  - Consists of two SATA storage drives
  - Improved reading performance and 100% redundancy
- RAID 5: block-level striped disk array with distributed parity
  - Consists of at least three SATA storage drives
  - Supported strip size: 16 KB, 32 KB, 64 KB, or 128 KB
  - Better performance and fault tolerance

#### Create a RAID volume

**Attention:** All the existing data stored on the selected drives will be erased while the RAID volume is being created.

To create a RAID volume:

1. Enable **RAID** by doing the following:
  - a. Restart the computer. When the logo screen is displayed, press F1 or Fn+F1.
  - b. Select **Devices** → **PCH SATA Configuration** and press Enter.
  - c. Select **Configure SATA as** and press Enter. Then, select **RAID** and press Enter.
  - d. Press F10 or Fn+F10 to save the changes and exit.
2. Enter the BIOS menu again.

3. Select **Advanced** → **Intel RSTe SATA Controller** and press Enter.
4. Select **Create RAID Volume** and press Enter. The Create RAID Volume window is displayed.
5. Select and configure the options one by one.
  - a. **Name:** You can use the default name **Volume0** or type a preferred name for the RAID volume.
  - b. **RAID Level:** You can set the RAID level to one of the following:
    - **RAID0**
    - **RAID1**
    - **RAID10**
    - **RAID5**
  - c. **Select Disks:** Select a storage drive and press Enter. Then, select **X** and press Enter to add it to a group.
  - d. **Strip Size** (if applicable): Select a strip size and press Enter.
  - e. **Capacity:** Customize the capacity of the RAID volume. The default RAID volume is the largest value.
6. Select **Create Volume** and press Enter to create a RAID volume.
7. Exit the BIOS menu.

#### View the information about a RAID volume

To view the information about a RAID volume:

1. Restart the computer. When the logo screen is displayed, press F1 or Fn+F1.
2. Select **Advanced** → **Intel RSTe SATA Controller** and press Enter.
3. Select **RAID Volumes** and press Enter.
4. Select a RAID volume and press Enter to view the detailed information.
5. Press F10 or Fn+F10 to save the changes and exit.

#### Delete a RAID volume

**Attention:** All the existing data stored on the selected drives will be erased after you delete RAID volumes.

To delete a RAID volume:

1. Restart the computer. When the logo screen is displayed, press F1 or Fn+F1.
2. Select **Advanced** → **Intel RSTe SATA Controller** and press Enter.
3. Under **RAID Volumes**, select the RAID volume that you want to delete and press Enter. The RAID VOLUME INFO window is displayed.
4. Select **Delete** under **Volume Actions** and press Enter. When prompted, select **Yes** and press Enter to confirm the deletion of the selected RAID volume.
5. Press F10 or Fn+F10 to save the changes and exit.

---

## Configure RAID with AVAGO MegaRAID Configuration Utility

To configure RAID with AVAGO MegaRAID Configuration Utility, ensure that:

- An AVAGO MegaRAID adapter is installed in your computer.
- The storage drives used for RAID configuration are connected to the installed AVAGO MegaRAID adapter instead of the system board.

## Storage drive requirements for RAID levels

Your computer supports the following RAID levels:

- RAID 0: striped disk array
  - Consists of at least two NVMe or SATA storage drives
  - Supported strip size: 64 KB, 128 KB, 256 KB, 512 KB, or 1 MB
  - Better performance without fault tolerance
- RAID 1: mirrored disk array
  - Consists of two or four NVMe or SATA storage drives
  - Improved read performance and 100% redundancy
- RAID 5: block-level striped disk array with distributed parity
  - Consists of at least three SATA storage drives
  - Supported strip size: 64 KB, 128 KB, 256 KB, 512 KB, or 1 MB
  - Better performance and fault tolerance
  - Available only on selected models of AVAGO MegaRAID adapters

## Create a RAID volume

**Attention:** All the existing data stored on the selected drives will be erased while the RAID volume is being created.

To create a RAID volume:

1. Restart the computer. When the logo screen is displayed, press F1 or Fn+F1.
2. Select **Advanced** → **AVAGO MegaRAID Configuration Utility** and press Enter.
3. Select **Main Menu** and press Enter.
4. Select **Configuration Management** and press Enter.
5. Select **Create Virtual Drive** and press Enter.
6. Select and configure the options one by one.
  - a. **Select RAID Level:** You can set the RAID level to one of the following:
    - **RAID0**
    - **RAID1**
    - **RAID5**
    - **RAID6**
    - **RAID10**

**Note:** Some of the RAID levels might not be displayed because the number of installed storage drives and the model of the AVAGO MegaRAID adapter vary.
  - b. **Select Drives From:** Select **Unconfigured capacity** or **Free capacity** depending on your needs and press Enter.
  - c. **Select Drives:** Select a storage drive and press Enter. After selecting all storage drives for creating the RAID volume, select **Apply Changes** and press Enter. When promoted, select **Confirm** and press Enter. Then, select **Yes** and press Enter to save the storage drive selection. Finally, select **OK** and press Enter.
  - d. **Virtual Drive Name:** You can type a preferred name for the volume name.
  - e. **Strip Size** (if applicable): Select a strip size and press Enter.

7. Select **Save Configuration** and press Enter. When prompted, select **Confirm** and press Enter. Then, select **Yes** and press Enter to confirm the creation of the RAID volume.
8. Press F10 or Fn+F10 to save the changes and exit.

### View the information about a RAID volume

To view the information about a RAID volume:

1. Restart the computer. When the logo screen is displayed, press F1 or Fn+F1.
2. Select **Advanced** → **AVAGO MegaRAID Configuration Utility** and press Enter.
3. Select **Main Menu** and press Enter.
4. Select **Virtual Drive Management** and press Enter.
5. Select a RAID volume and press Enter to view the detailed information.
6. Press F10 or Fn+F10 to save the changes and exit.

### Delete a RAID volume

**Attention:** All the existing data stored on the selected drives will be erased after you delete RAID volumes.

To delete a RAID volume:

1. Restart the computer. When the logo screen is displayed, press F1 or Fn+F1.
2. Select **Advanced** → **AVAGO MegaRAID Configuration Utility**.
3. Select **Main Menu** and press Enter.
4. Select **Virtual Drive Management** and press Enter.
5. Select the RAID volume that is not needed and press Enter.
6. Under **Operation**, select **Delete Virtual Drive** and press Enter.
7. Select **Go** and press Enter. When prompted, select **Confirm** and press Enter. Then, select **Yes** and press Enter to delete the RAID volume.
8. Press F10 or Fn+F10 to save the changes and exit.

---

## Configure RAID with Intel Virtual RAID on CPU

To configure RAID with the Intel Virtual RAID on CPU configuration utility, ensure that:

- An upgrade key module is connected to the Virtual RAID on CPU (VROC) connector on the system board.
- M.2 solid-state drives are installed in your computer.

### Storage drive requirements for RAID levels

Your computer supports the following RAID levels:

- RAID 0: striped disk array
  - Consists of at least two M.2 solid-state drives
  - Supported strip size: 4 KB, 8 KB, 16 KB, 32 KB, 64 KB, or 128 KB
  - Better performance without fault tolerance
- RAID 1: mirrored disk array
  - Consists of two M.2 solid-state drives
  - Improved reading performance and 100% redundancy
- RAID 10: striped and mirrored disk array (a combination of RAID 0 and RAID 1)
  - Consists of four M.2 solid-state drives

- Supported strip size: 4 KB, 8 KB, 16 KB, 32 KB, or 64 KB
- RAID 5: block-level striped disk array with distributed parity
  - Consists of at least three M.2 solid-state drives
  - Supported strip size: 16 KB, 32 KB, 64 KB, or 128 KB
  - Better performance and fault tolerance
  - Available only on selected models of upgrade key modules

### Create a RAID volume

**Attention:** All the existing data stored on the selected drives will be erased while the RAID volume is being created.

To create a RAID volume:

1. Enable **VMD** for the selected M.2 solid-state drives by doing the following:
  - a. Restart the computer. When the logo screen is displayed, press F1 or Fn+F1.
  - b. Select **Advanced** → **Intel(R) VMD technology** and press Enter.
  - c. Select each menu item and press Enter. Then, select **Enabled** and press Enter.
  - d. Select an occupied M.2 solid-state drive slot as you need and press Enter. Then, select **VMD** and press Enter.
  - e. Press F10 or Fn+F10 to save the changes and exit.
2. Enter the BIOS menu again.
3. Select **Advanced** → **Intel Virtual RAID on CPU** and press Enter.
4. Select **All Intel VMD Controllers** and press Enter.
5. Select **Create Volumes** and press Enter.
6. Select and configure the options one by one.
  - a. **Name:** You can use the default name **Volume0** or type a preferred name for the RAID volume.
  - b. **RAID Level:** You can set the RAID level to one of the following:
    - **RAID0**
    - **RAID1**
    - **RAID10**
    - **RAID5**

**Note:** Some of the RAID levels might not be displayed because the number of installed M.2 solid-state drives and the model of the upgrade key module vary.
  - c. **Select Disks:** Select an M.2 solid-state drive and press Enter. Then, select **X** and press Enter to add it to a group.
  - d. **Stripe Size** (if applicable): Select a stripe size and press Enter.
  - e. **Capacity:** Customize the capacity of the RAID volume. The default RAID volume is the largest value.
7. Select **Create Volume** and press Enter to create a RAID volume.
8. Exit the BIOS menu.

### View the information about a RAID volume

To view the information about a RAID volume:

1. Restart the computer. When the logo screen is displayed, press F1 or Fn+F1.
2. Select **Advanced** → **Intel Virtual RAID on CPU** and press Enter.

3. Select **RAID Volumes** and press Enter.
4. Select a RAID volume and press Enter to view the detailed information.
5. Press F10 or Fn+F10 to save the changes and exit.

### **Delete a RAID volume**

**Attention:** All the existing data stored on the selected drives will be erased after you delete RAID volumes.

To delete a RAID volume:

1. Restart the computer. When the logo screen is displayed, press F1 or Fn+F1.
2. Select **Advanced** → **Intel Virtual RAID on CPU** and press Enter.
3. Select **Intel VROC Managed Volumes** and press Enter.
4. Under **Volume Actions**, select **Delete** and press Enter.
5. When prompted, select **Yes** and press Enter to confirm the deletion of the selected RAID volume.
6. Press F10 or Fn+F10 to save the changes and exit.

---

## Chapter 5. CRU replacement

Customer Replaceable Units (CRUs) are parts that can be replaced by the customer. Lenovo computers contain the following types of CRUs:

- **Self-service CRUs:** Refer to parts that can be replaced easily by customer themselves or by trained service technicians at an additional cost.
- **Optional-service CRUs:** Refer to parts that can be replaced by customers with a greater skill level. Trained service technicians can also provide service to replace the parts under the type of warranty designated for the customer's machine.

If you intend on installing the CRU, Lenovo will ship the CRU to you. CRU information and replacement instructions are shipped with your product and are available from Lenovo at any time upon request. You might be required to return the defective part that is replaced by the CRU. When return is required: (1) return instructions, a prepaid shipping label, and a container will be included with the replacement CRU; and (2) you might be charged for the replacement CRU if Lenovo does not receive the defective CRU within thirty (30) days of your receipt of the replacement CRU. For full details, see the Lenovo Limited Warranty documentation at:

[https://www.lenovo.com/warranty/llw\\_02](https://www.lenovo.com/warranty/llw_02)

---

### CRU list

The following is the CRU list of your computer.

#### Self-service CRUs

- Blank bezel\*
- CPU duct\*
- Customized PCIe extender\*
- Fan grommet\*
- Fiber modules of NVIDIA ConnectX-6 Ethernet Adapter card\*
- Flex module tray\*
- Flex bay fan\*
- Front fan\*
- Hard disk drive\*
- Hard disk drive and lower PCIe fan\*
- Hard disk drive bracket\*
- ID badge
- Keyboard\*
- M.2 solid-state drive\*
- M.2 solid-state drive holder
- M.2 solid-state drive tray and thermal kit
- Mouse\*
- Memory module
- Memory fan duct
- NVLINK retainer\*

- Optional hard disk drive cage\*
- PCIe card\*
- PCIe card bracket\*
- Power cord
- Power supply assembly
- Rear fan
- Side cover
- Solid-state drive bracket\*
- Storage box in flex module\*
- Think LED holder
- ThinkStation logo badge
- ThinkStation LED cable
- Top cover
- Upper PCIe card fan
- Vertical solid state drive tray\*
- Wi-Fi antenna cover\*

#### **Optional-service CRUs**

- 15-in-1 Media card reader\*
- Front panel I/O assembly
- Lock kit with random key\*
- NVLINK bridge\*
- NVMe BCB\*
- Internal speaker

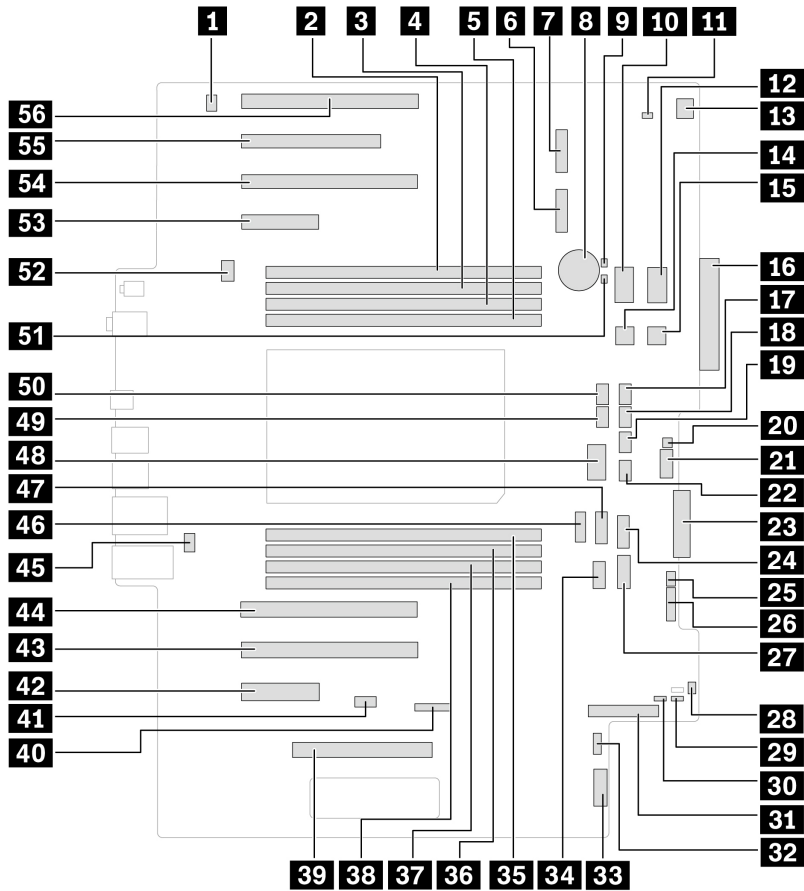
\* for selected models

---

## **System board**

**Note:** The system board might look slightly different from the illustration.





Item	Item
<b>1</b> Internal speaker connector	<b>2</b> Memory slot 8
<b>3</b> Memory slot 7	<b>4</b> Memory slot 6
<b>5</b> Memory slot 5	<b>6</b> M.2 solid-state drive slot 1
<b>7</b> M.2 solid-state drive slot 2	<b>8</b> Coin-cell battery
<b>9</b> RST_FIO	<b>10</b> Graphics card power connector 1
<b>11</b> Cover presence switch connector (intrusion switch connector)	<b>12</b> Graphics card power connector 3
<b>13</b> PCIe card slot 1 to 4 fan connector	<b>14</b> Power connector of Internal bay 1
<b>15</b> Power connector of Internal bay 2	<b>16</b> Front panel connector
<b>17</b> Flex bay fan connector	<b>18</b> Memory fan 2 connector
<b>19</b> Memory fan 1 connector	<b>20</b> Thunderbolt power connector
<b>21</b> Thunderbolt connector	<b>22</b> PCIe card slot 5 to 7 fan connector
<b>23</b> Media card IO connector	<b>24</b> SATA 3 connector
<b>25</b> Flex-I2C	<b>26</b> APS
<b>27</b> SATA 1 connector	<b>28</b> Logo LED connector
<b>29</b> Clear CMOS	<b>30</b> CLR_RTC

Item	Item
<b>31</b> M.2 solid-state drive slot 3	<b>32</b> VROC
<b>33</b> ALT_TPM	<b>34</b> Internal USB 3.2 connector
<b>35</b> Memory slot 4	<b>36</b> Memory slot 3
<b>37</b> Memory slot 2	<b>38</b> Memory slot 1
<b>39</b> Auxiliary power connector	<b>40</b> BMC
<b>41</b> BMC USB connector	<b>42</b> PCIe 5.0 x4 card slot 7
<b>43</b> PCIe 4.0 x16 card slot 6	<b>44</b> PCIe 5.0 x 16 card slot 5
<b>45</b> Serial port connector	<b>46</b> Internal USB 2.0 connector
<b>47</b> SATA 2 connector	<b>48</b> Graphics card power connector 2
<b>49</b> Internal storage fan connector	<b>50</b> CPU fan connector
<b>51</b> Power button header	<b>52</b> Rear-fan-assembly connector
<b>53</b> PCIe 4.0 x 4 card slot 4	<b>54</b> PCIe 5.0 x 16 card slot 3
<b>55</b> PCIe 4.0 x 8 card slot 2	<b>56</b> PCIe 5.0 x 16 card slot 1

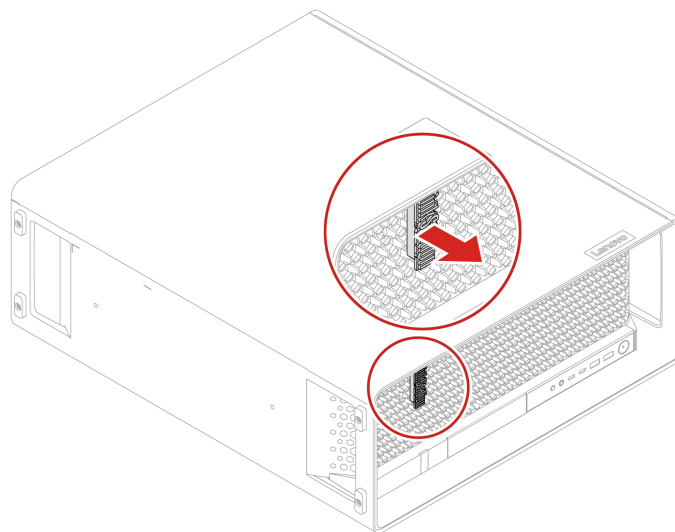
## ThinkStation logo badge

### Prerequisite

Before you start, read *Generic Safety and Compliance Notices*, and print the following instructions.

### Removal steps

Remove the ThinkStation logo badge.



---

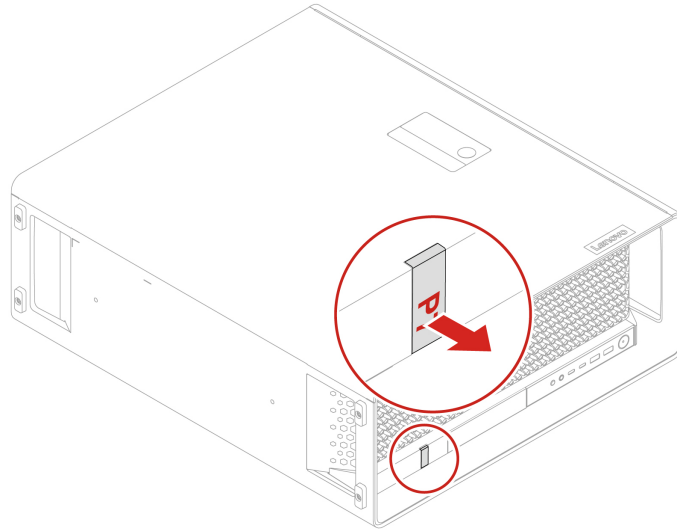
## ID badge

### Prerequisite

Before you start, read *Generic Safety and Compliance Notices*, and print the following instructions.

### Removal steps

Remove the ID badge.



---

## Top cover

### Prerequisite

Before you start, read *Generic Safety and Compliance Notices*, and print the following instructions.



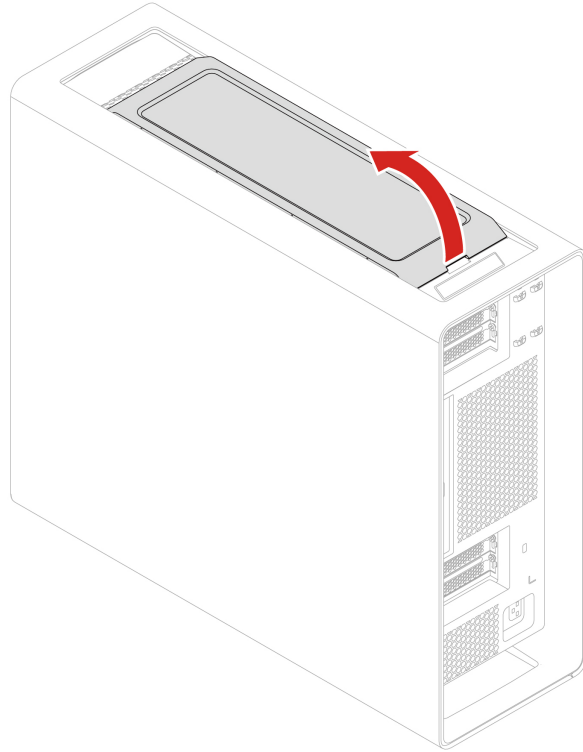
Before you open the computer cover, turn off the computer and wait several minutes until the computer is cool.

For access, do the following:

1. Remove any media from the drives and turn off all connected devices and the computer.
2. Disconnect all power cords from electrical outlets and disconnect all cables from the computer.

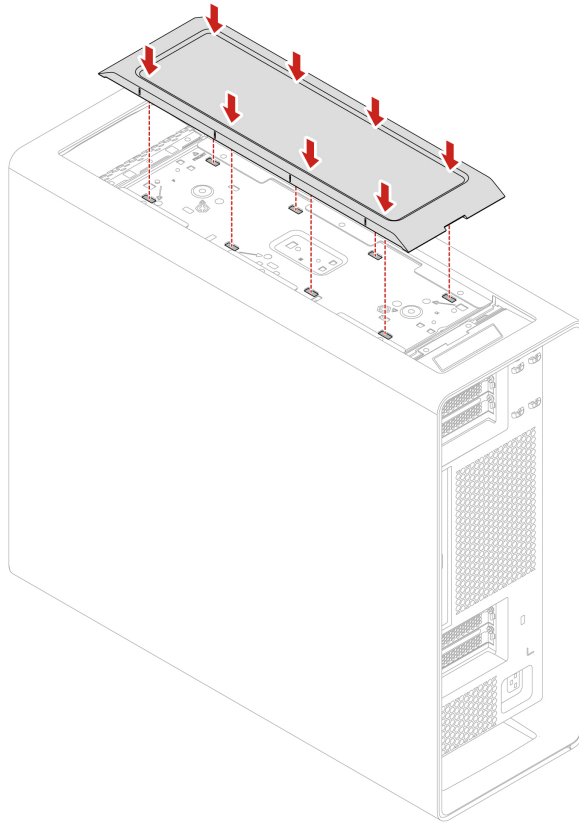
### Removal steps

Remove the top cover.



### **Installation steps**

Install the top cover.



---

## Wi-Fi antenna cover

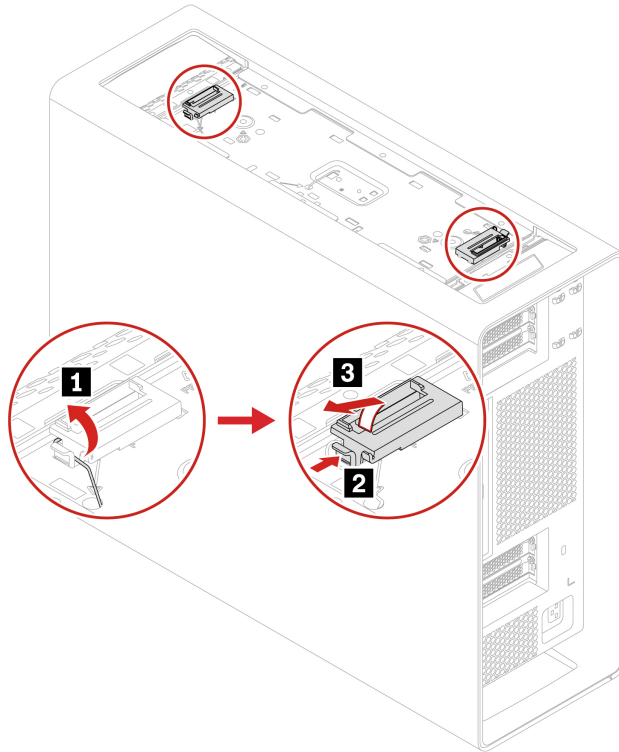
### Prerequisite

Before you start, read *Generic Safety and Compliance Notices*, and print the following instructions.

For access, remove the top cover. See “Top cover” on page 37.

### Removal steps

Remove the Wi-Fi antenna cover.



---

## Side cover

### Prerequisite

Before you start, read *Generic Safety and Compliance Notices*, and print the following instructions.



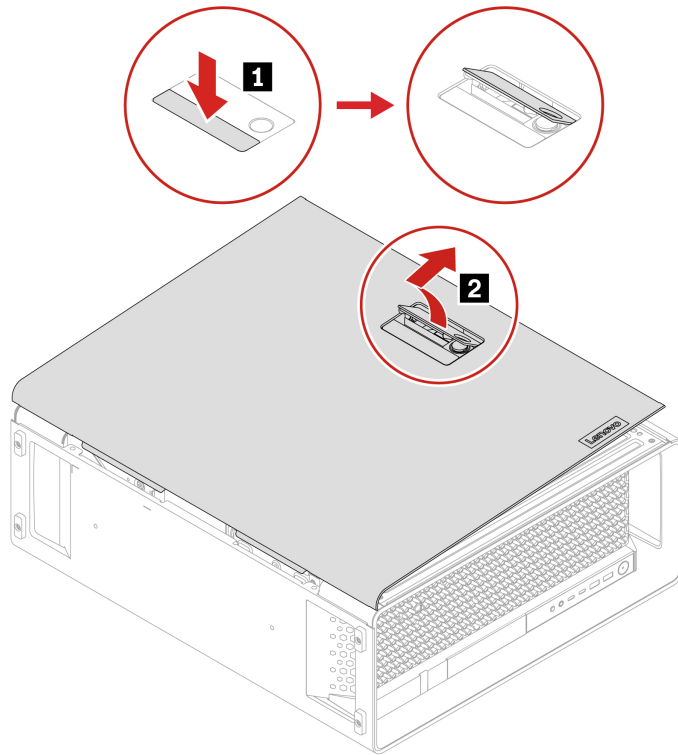
Before you open the side cover, turn off the computer and wait several minutes until the computer is cool.

For access, do the following:

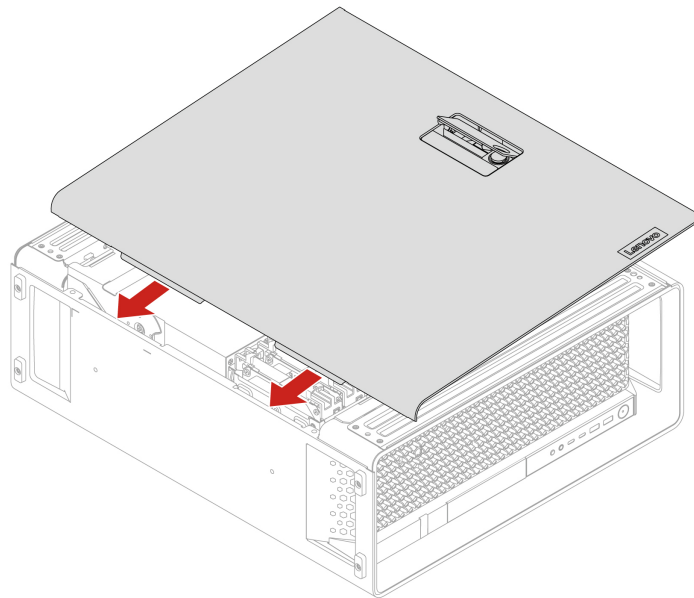
1. Remove any media from the drives and turn off all connected devices and the computer.
2. Disconnect all power cords from electrical outlets and disconnect all cables from the computer.
3. Unlock any locking device that secures the side cover.
4. Lay the computer on its side for easier access to the side cover.

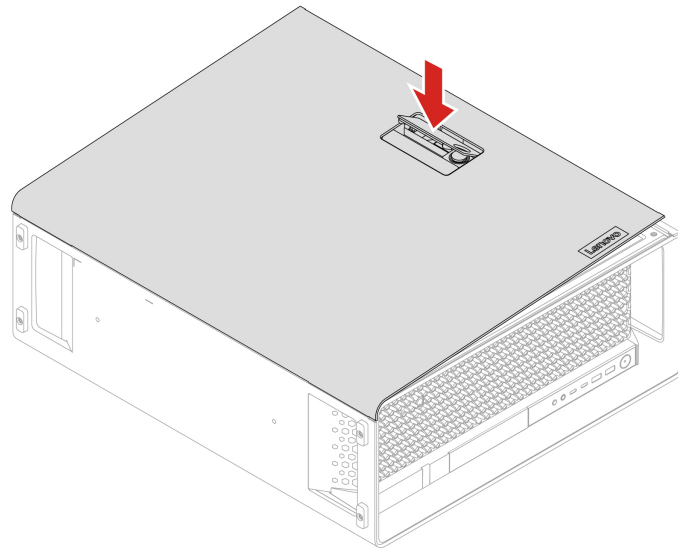
### Removal steps

Press to open the side cover handle and remove the side cover.



**Installation steps**  
Install the side cover.





---

## NVLINK retainer

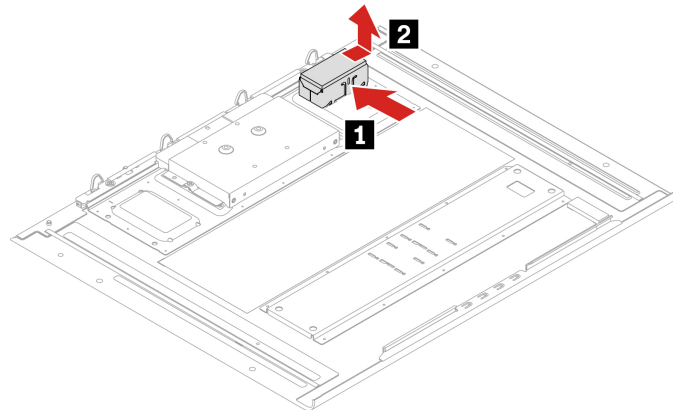
### Prerequisite

Before you start, read *Generic Safety and Compliance Notices*, and print the following instructions.

For access, remove the side cover. See “Side cover” on page 40.

### Removal steps

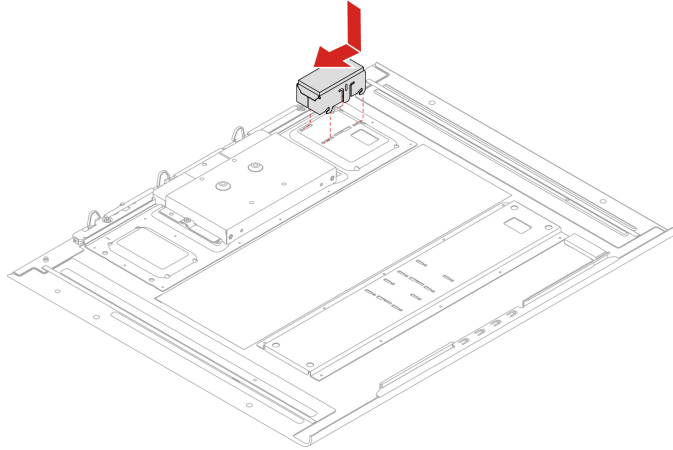
Remove the NVLINK retainer.



### Installation steps

Install the NVLINK retainer.





---

## Optional hard disk drive

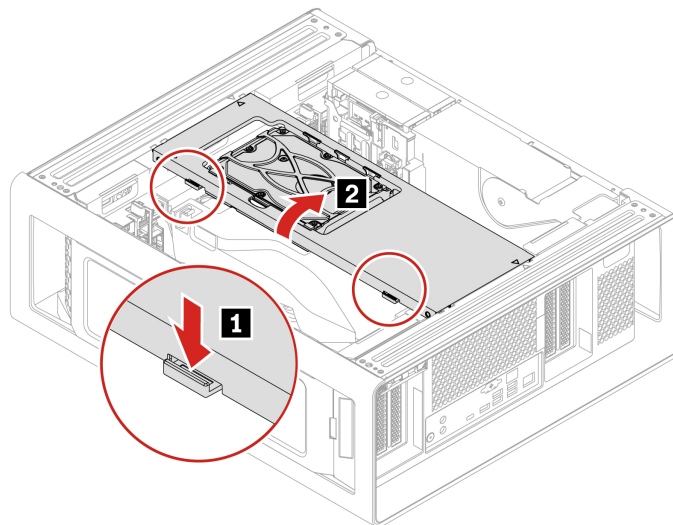
### Prerequisite

Before you start, read *Generic Safety and Compliance Notices*, and print the following instructions.

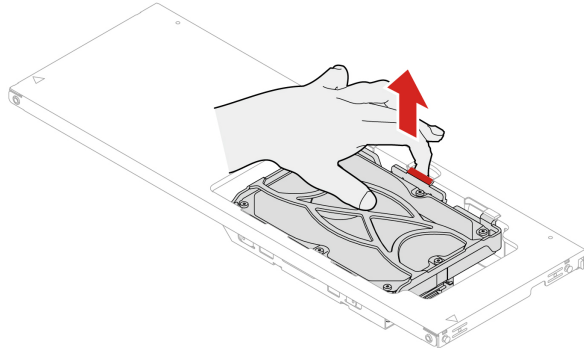
For access, remove the side cover. See “Side cover” on page 40.

### Removal steps

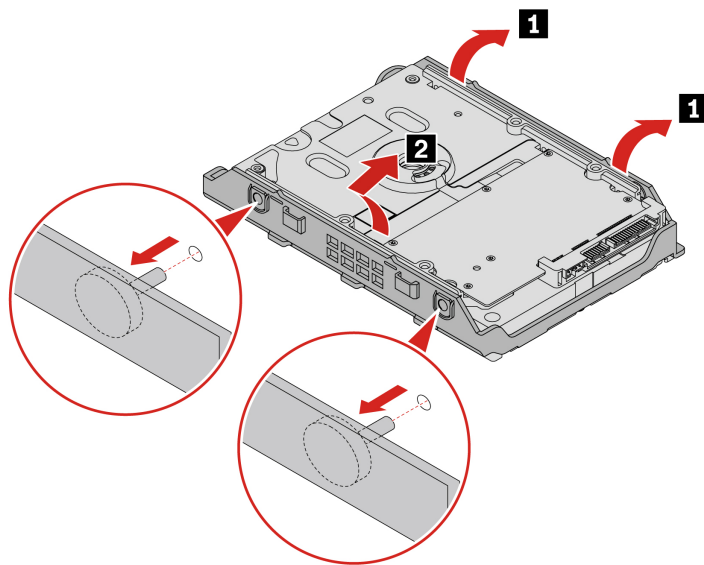
1. Remove the optional hard disk drive from the optional hard disk drive cage.



2. Remove the optional hard disk drive from the optional hard disk drive bracket.



3. Disconnect the cable from the hard disk drive. Then, remove the bracket.



---

## CPU duct

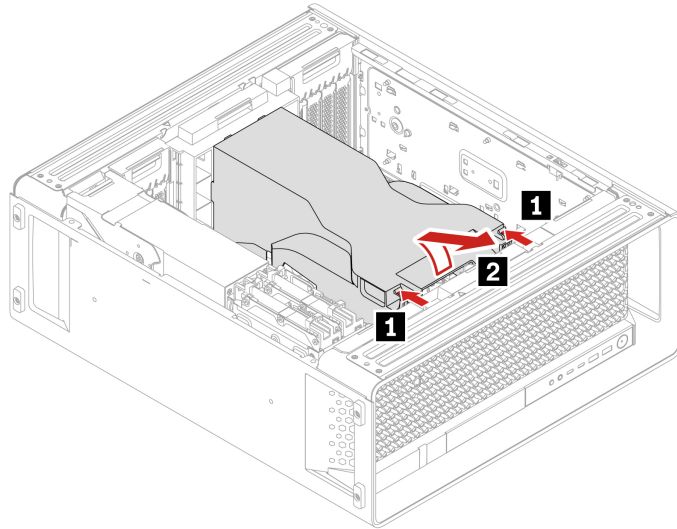
### Prerequisite

Before you start, read *Generic Safety and Compliance Notices*, and print the following instructions.

For access, remove the side cover. See “Side cover” on page 40.

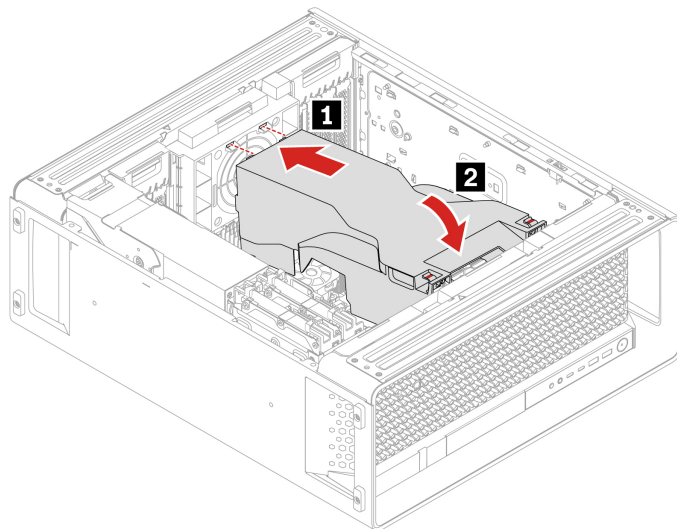
### Removal steps

Remove the CPU duct.



### Installation steps

Install the CPU duct.



---

## Hard disk drive in the internal storage drive bay

### Prerequisite

Before you start, read *Generic Safety and Compliance Notices*, and print the following instructions.

**Attention:** The internal storage drive is sensitive. Inappropriate handling might cause damage and permanent loss of data. When handling the internal storage drive, observe the following guidelines:

- Replace the internal storage drive only for repair. The internal storage drive is not designed for frequent changes or replacement.
- Before replacing the internal storage drive, make backup copy of all the data that you want to keep.

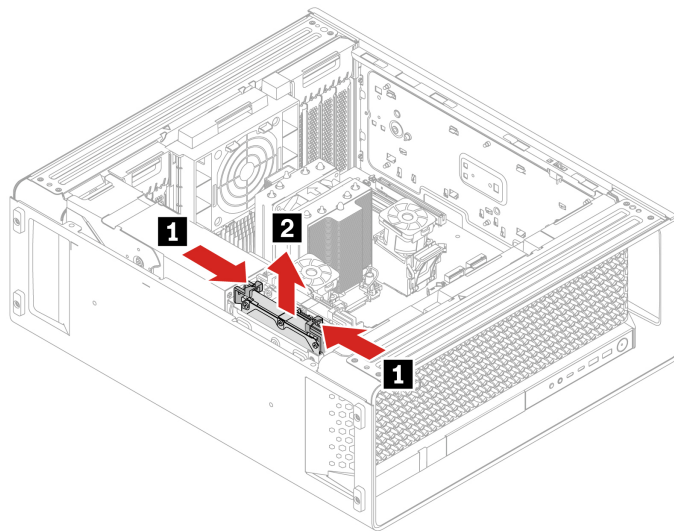
- Do not touch the contact edge of the internal storage drive. Otherwise, the internal storage drive might get damaged.
- Do not apply pressure to the internal storage drive.
- Do not make the internal storage drive subject to physical shocks or vibration. Put the internal storage drive on soft material, such as a cloth, to absorb physical shocks.

For access, do the following:

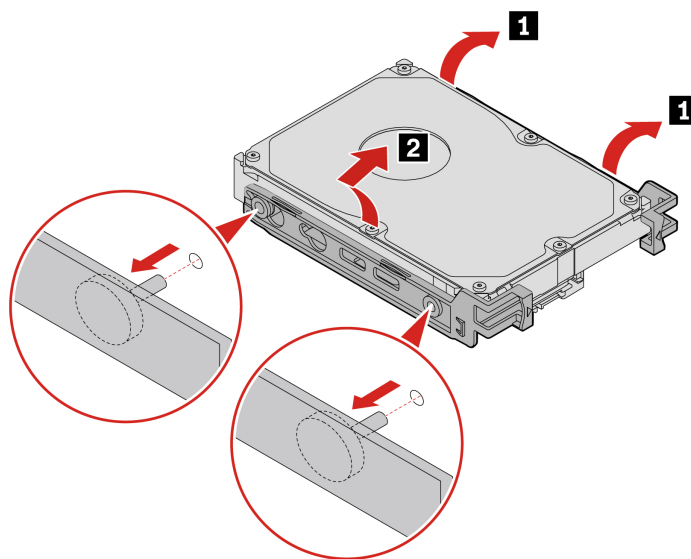
1. Remove the side cover. See “Side cover” on page 40.
2. Disconnect the cable from the hard disk drive.

### Removal steps

1. Remove the 3.5-inch primary hard disk drive cage.



2. Remove the 3.5-inch primary hard disk drive.



---

## Solid-state drive bracket in internal storage drive bay

### Prerequisite

Before you start, read *Generic Safety and Compliance Notices*, and print the following instructions.

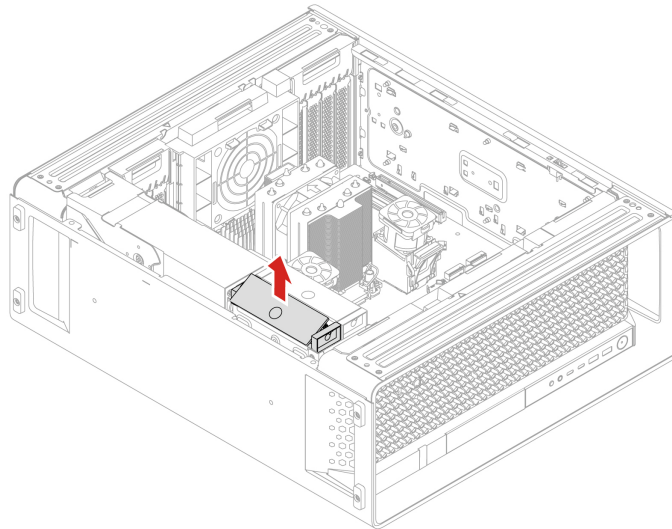
**Attention:** The internal storage drive is sensitive. Inappropriate handling might cause damage and permanent loss of data. When handling the internal storage drive, observe the following guidelines:

- Replace the internal storage drive only for repair. The internal storage drive is not designed for frequent changes or replacement.
- Before replacing the internal storage drive, make a backup copy of all the data that you want to keep.
- Do not touch the contact edge of the internal storage drive. Otherwise, the internal storage drive might get damaged.
- Do not apply pressure to the internal storage drive.
- Do not make the internal storage drive subject to physical shocks or vibration. Put the internal storage drive on a soft material, such as cloth, to absorb physical shocks.

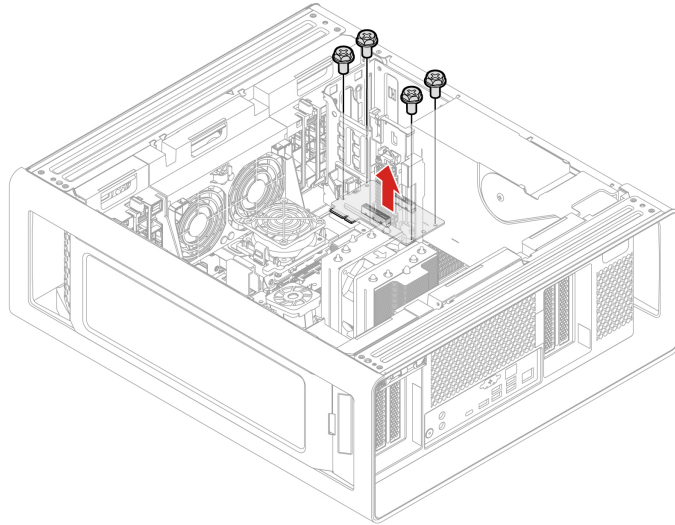
For access, remove the side cover. See “Side cover” on page 40.

### Removal steps

1. Remove the M.2 solid-state drive tray.



2. Remove the BCB board.



Screw (quantity)	Color	Torque
M3 x 5 mm, NI coated (4)	Black	5.0 ± 0.5 lb/in

## Vertical M.2 solid-state drive module

### Prerequisite

Before you start, read *Generic Safety and Compliance Notices*, and print the following instructions.



Before you open the computer cover, turn off the computer and wait several minutes until the computer is cool.

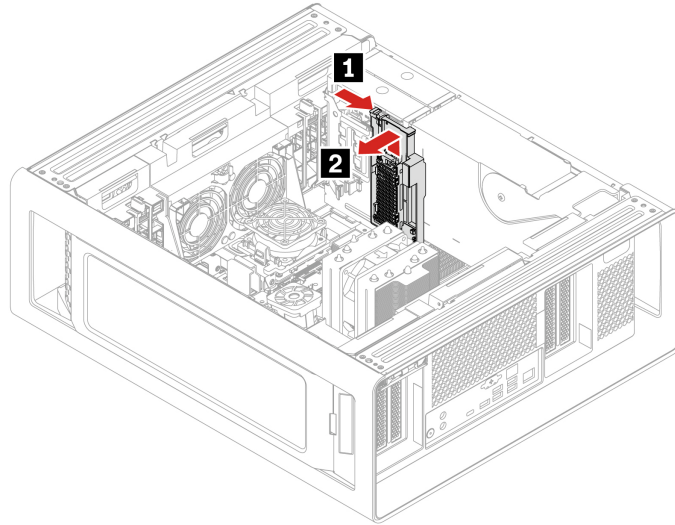
**Attention:** The internal storage drive is sensitive. Inappropriate handling might cause damage and permanent loss of data. When handling the internal storage drive, observe the following guidelines:

- Replace the internal storage drive only for repair. The internal storage drive is not designed for frequent changes or replacement.
- Before replacing the internal storage drive, make a backup copy of all the data that you want to keep.
- Do not touch the contact edge of the internal storage drive. Otherwise, the internal storage drive might get damaged.
- Do not apply pressure to the internal storage drive.
- Do not make the internal storage drive subject to physical shocks or vibration. Put the internal storage drive on a soft material, such as cloth, to absorb physical shocks.

For access, remove the side cover. See “Side cover” on page 40.

### Removal steps

Remove the M.2 solid-state drive with its bracket.



---

## M.2 solid-state drive

### Prerequisite

Before you start, read *Generic Safety and Compliance Notices*, and print the following instructions.

**Attention:** The internal storage drive is sensitive. Inappropriate handling might cause damage and permanent loss of data. When handling the internal storage drive, observe the following guidelines:

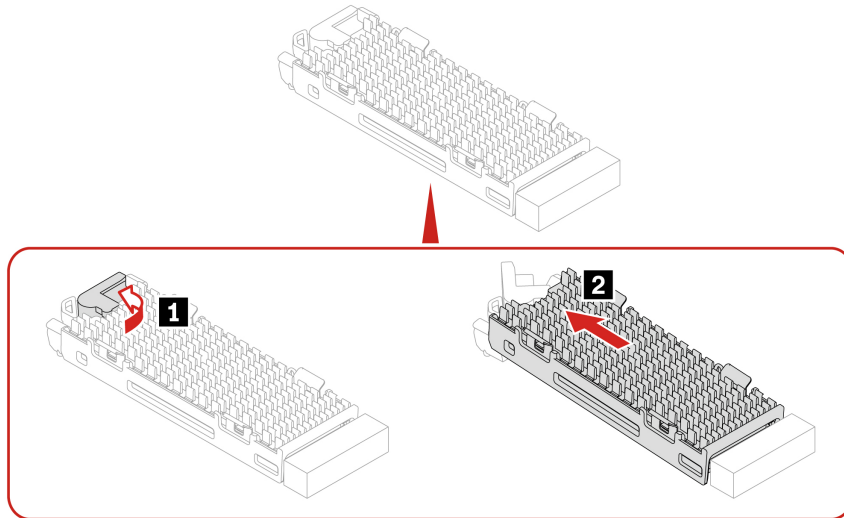
- Replace the internal storage drive only for repair. The internal storage drive is not designed for frequent changes or replacement.
- Before replacing the internal storage drive, make a backup copy of all the data that you want to keep.
- Do not touch the contact edge of the internal storage drive. Otherwise, the internal storage drive might get damaged.
- Do not apply pressure to the internal storage drive.
- Do not make the internal storage drive subject to physical shocks or vibration. Put the internal storage drive on a soft material, such as cloth, to absorb physical shocks.

For access, do the following:

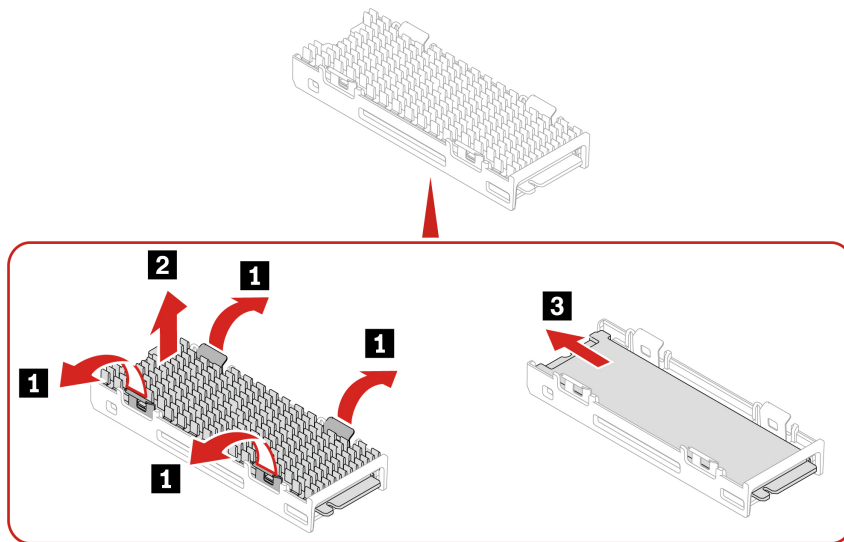
1. Remove the side cover. See “Side cover” on page 40.
2. Remove the following solid-state drive module if any:
  - “Solid-state drive bracket in internal storage drive bay” on page 47
  - “Vertical M.2 solid-state drive module” on page 48.

### Removal steps

1. Remove the M.2 solid-state drive with its heatsink kit.



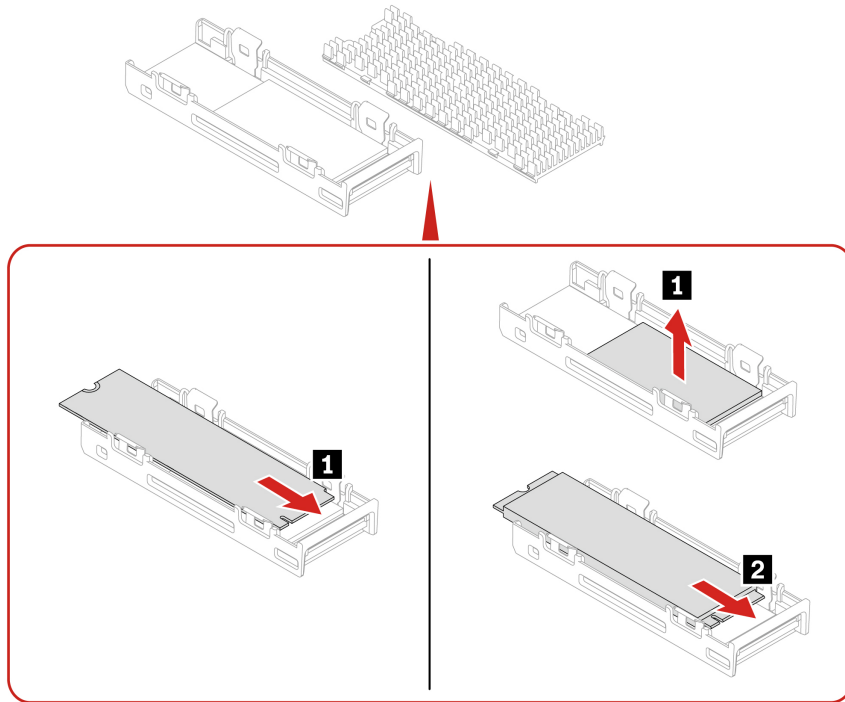
2. Remove the M.2 solid-state drive from its heatsink kit.



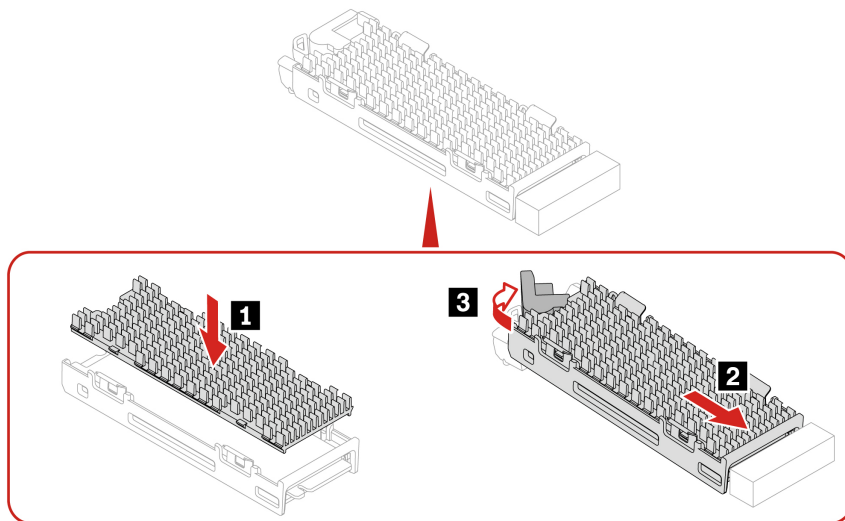
### Installation steps

1. Install the M.2 solid-state drive to its heatsink kit.





2. Install the M.2 solid-state drive heatsink.



## Front fan

### Prerequisite

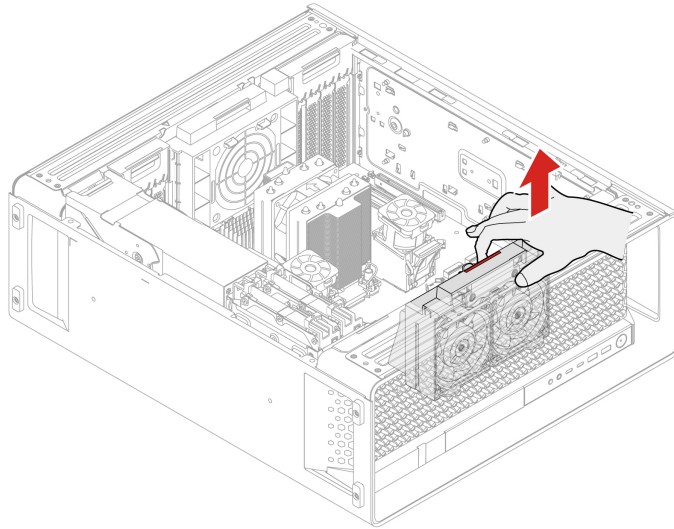
Before you start, read *Generic Safety and Compliance Notices*, and print the following instructions.

For access, do the following:

1. Remove the side cover. See “Side cover” on page 40.
2. Remove the CPU duct. See “CPU duct” on page 44.
3. Disconnect the cable from the front fan.

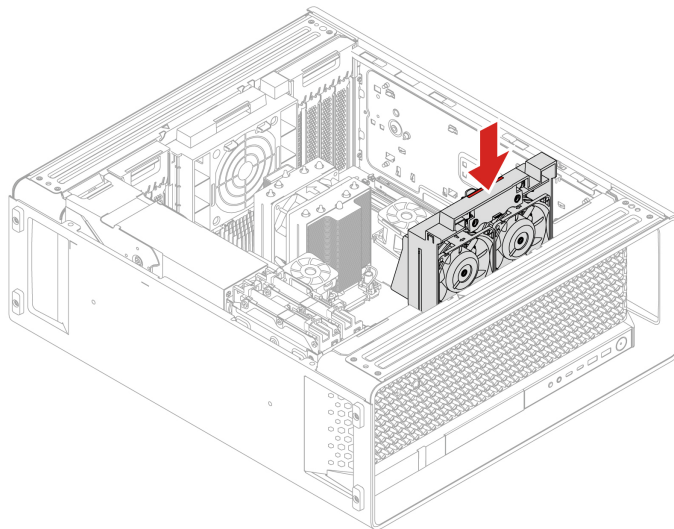
## Removal steps

Remove the fan.



## Installation steps

Install the fan.



---

## Rear fan

### Prerequisite

Before you start, read *Generic Safety and Compliance Notices*, and print the following instructions.

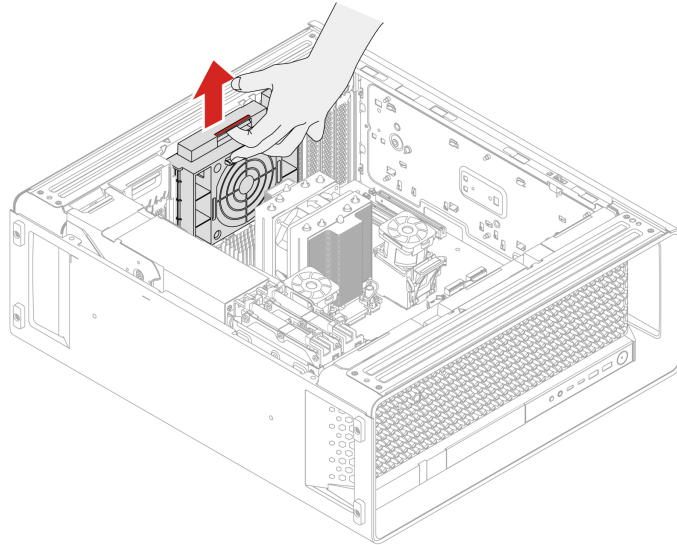
For access, do the following:

1. Remove the side cover. See “Side cover” on page 40.
2. Remove the CPU duct. See “CPU duct” on page 44.

3. Disconnect the cable from the rear fan.

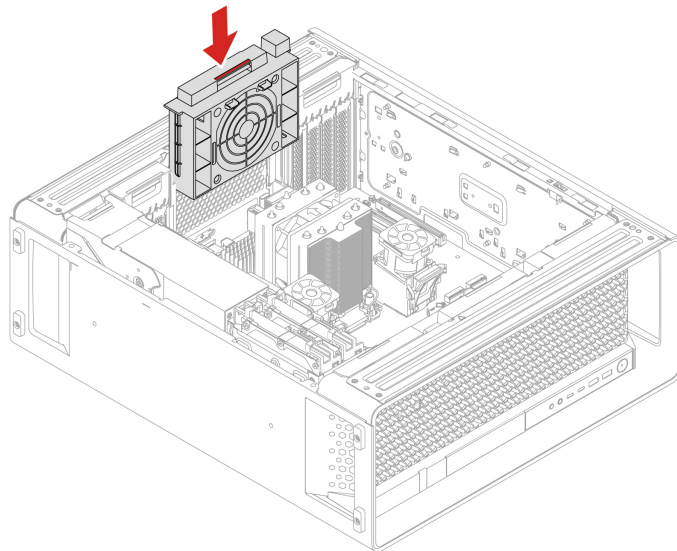
### Removal steps

Remove the fan.



### Installation steps

Install the fan.



---

## Upper PCIe fan

### Prerequisite

Before you start, read *Generic Safety and Compliance Notices*, and print the following instructions.

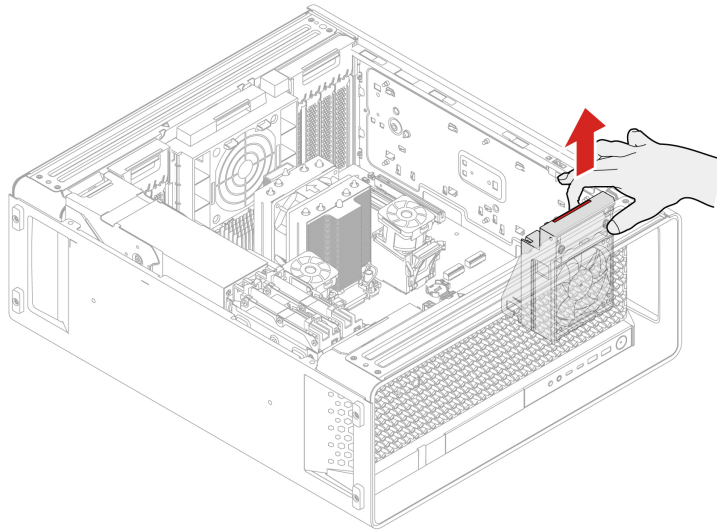
For access, do the following:

1. Remove the side cover. See “Side cover” on page 40.

2. Remove the CPU duct. See “CPU duct” on page 44.
3. Disconnect the cable from the upper PCIe fan.
4. Detach cables from the cable clip on the fan bracket.

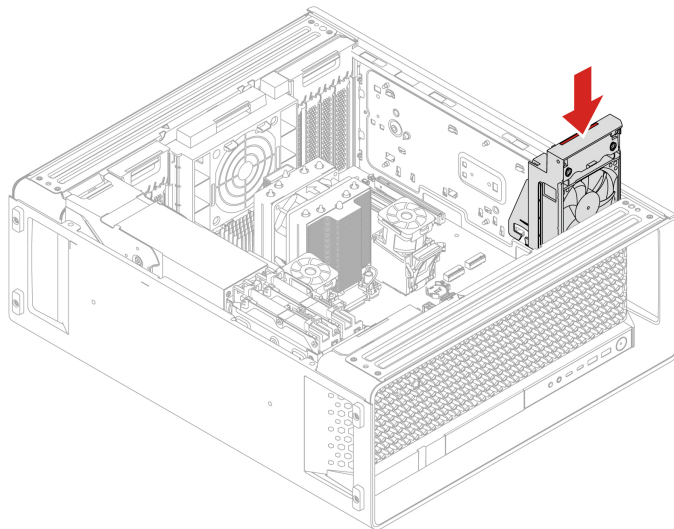
### Removal steps

Remove the fan.



### Installation steps

Install the fan.



---

## Hard disk drive and lower PCIe fan

### Prerequisite

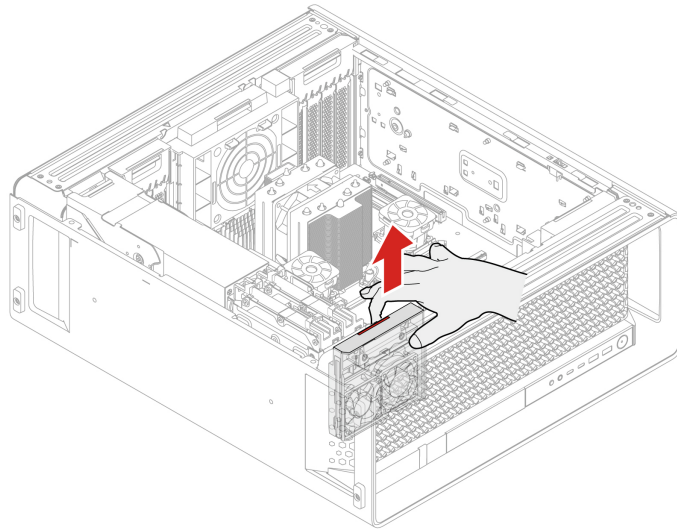
Before you start, read *Generic Safety and Compliance Notices*, and print the following instructions.

For access, do the following:

1. Remove the side cover. See “Side cover” on page 40.
2. Remove the CPU duct. See “CPU duct” on page 44.
3. Disconnect the cable from the hard disk drive and lower PCIe fan.

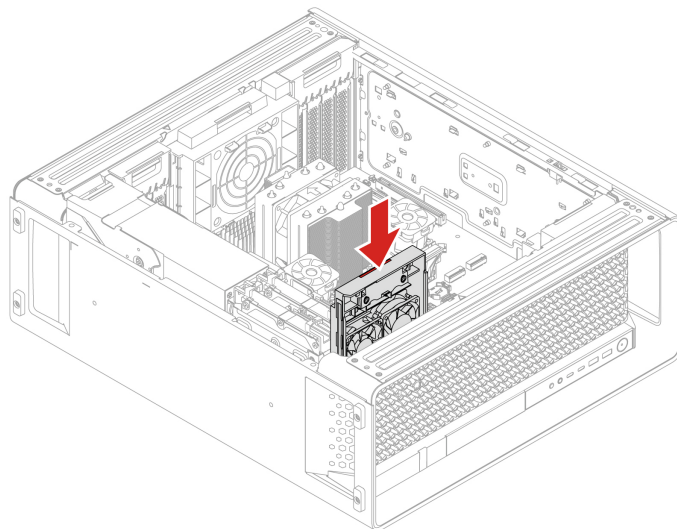
### Removal steps

Remove the fan.



### Installation steps

Install the fan.



---

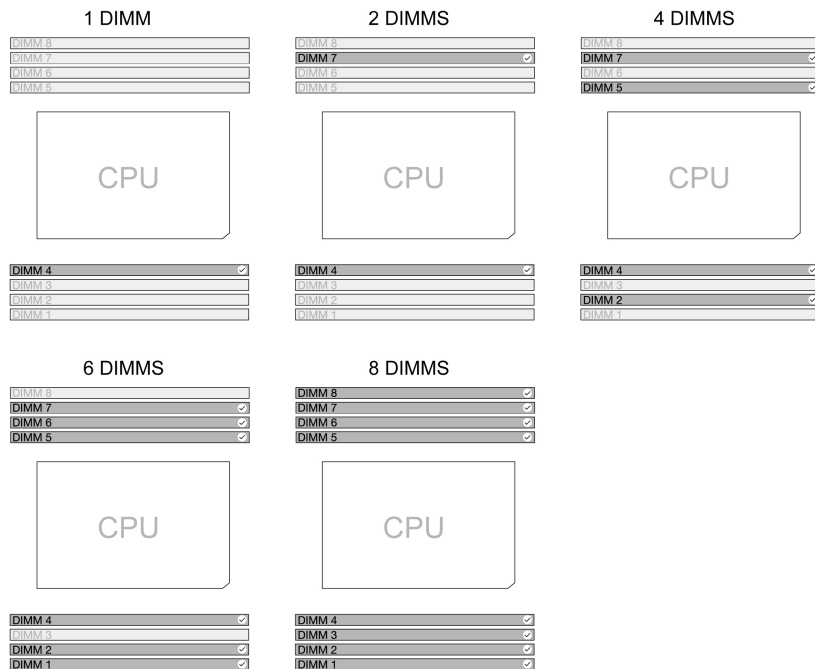
## Memory fan kit

### Prerequisite

Before you start, read *Generic Safety and Compliance Notices*, and print the following instructions.

### Notes:

1. Make sure to remove or install memory module at least one minute after disconnecting power cords from the system. It allows the system to be completely discharged of electricity and safe for handling memory module.
2. Ensure that you follow the installation order for memory modules shown in the following illustration.

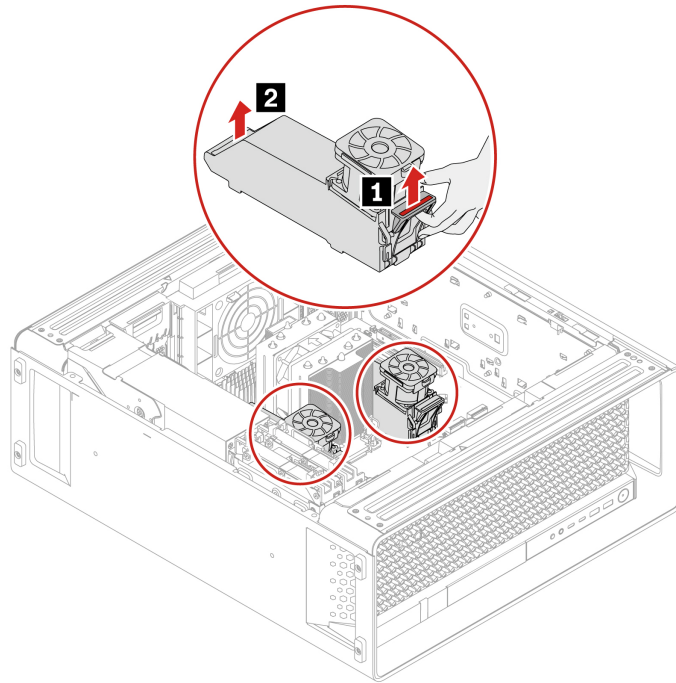


For access, remove the following parts in order:

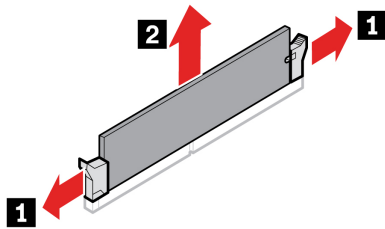
1. Remove the side cover. See “Side cover” on page 40.
2. Remove the CPU duct. See “CPU duct” on page 44.
3. Disconnect the cable from the memory heat sink.

### Removal steps

1. Remove the memory fan duct.

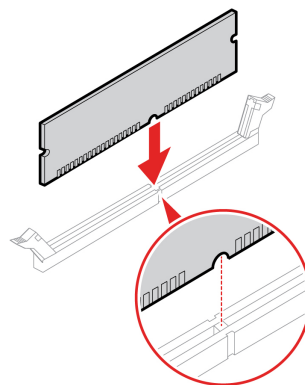


2. Remove the memory module.

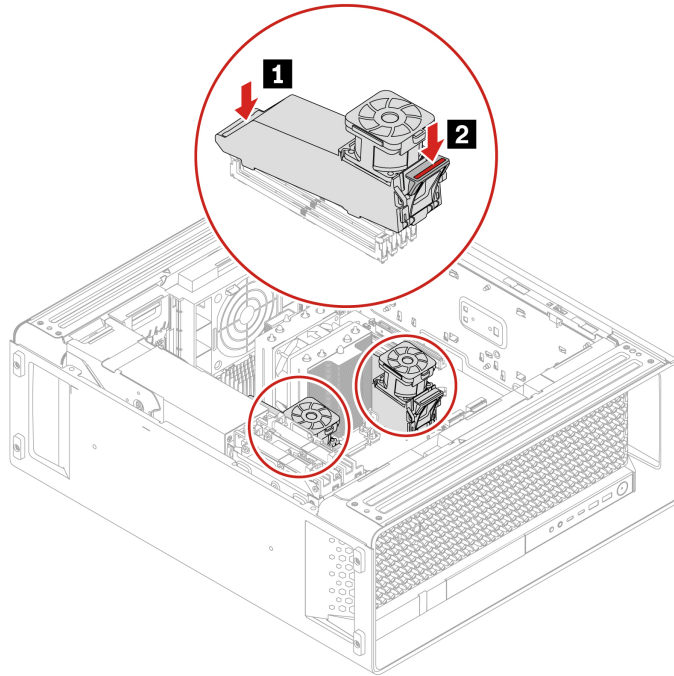


### Installation steps

1. Install the memory module.



2. Install the memory fan duct.



---

## Front panel I/O assembly

### Prerequisite

Before you start, read *Generic Safety and Compliance Notices*, and print the following instructions.

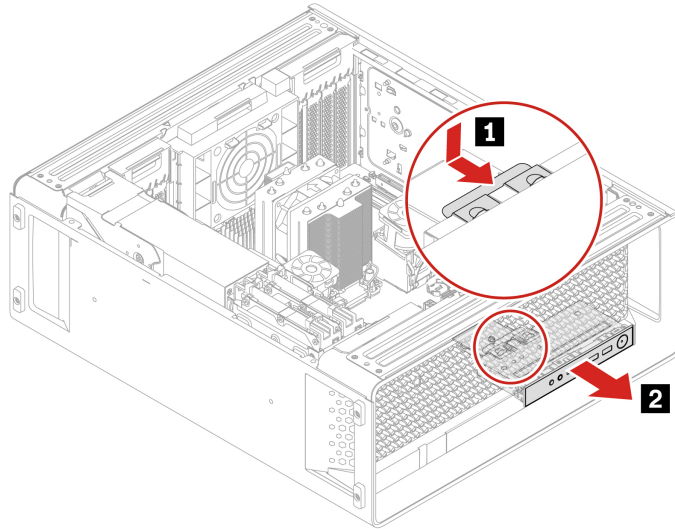
For access, do the following:

1. Remove the side cover. See “Side cover” on page 40.
2. Remove the CPU duct. See “CPU duct” on page 44.
3. Remove the upper PCIe fan. See “Upper PCIe fan” on page 53.

### Removal steps

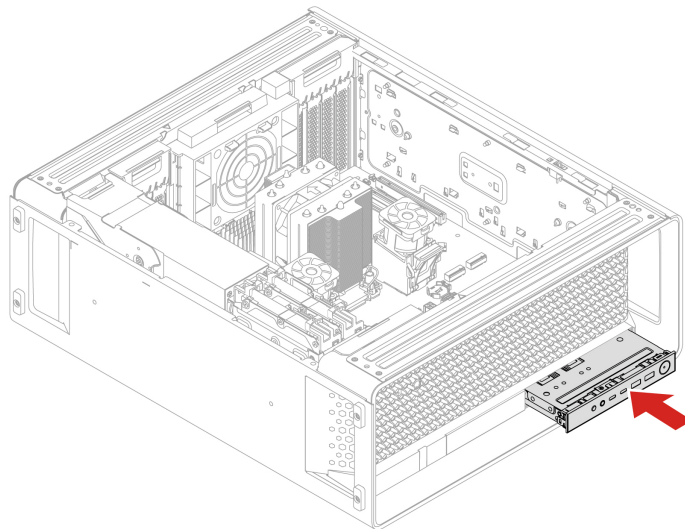
Remove the front panel I/O assembly.





### Installation steps

Install the front panel I/O assembly.



---

## ThinkStation LED cable and holder

### Prerequisite

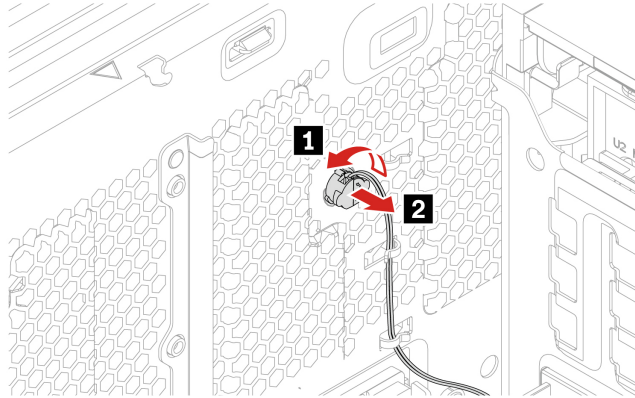
Before you start, read *Generic Safety and Compliance Notices*, and print the following instructions.

For access, do the following:

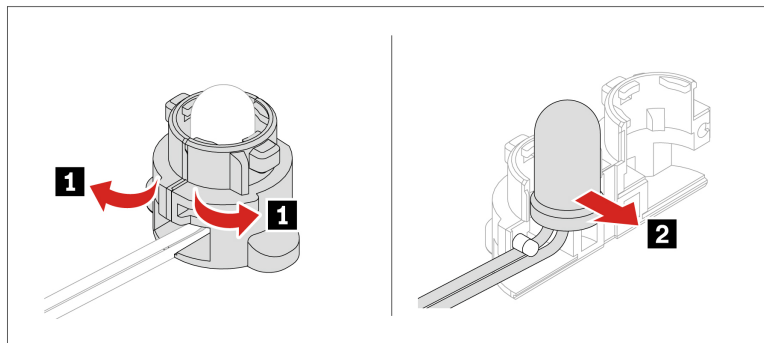
1. Remove the side cover. See “Side cover” on page 40.
2. Remove the CPU duct. See “CPU duct” on page 44.
3. Remove the front fan. See “Front fan” on page 51.
4. Remove the hard disk driver and lower PCIe fan. See “Hard disk drive and lower PCIe fan” on page 54.

## Removal steps

1. Remove the Think LED cable.



2. Remove the Think LED holder.



---

## NVLINK bridge

### Prerequisite

Before you start, read *Generic Safety and Compliance Notices*, and print the following instructions.

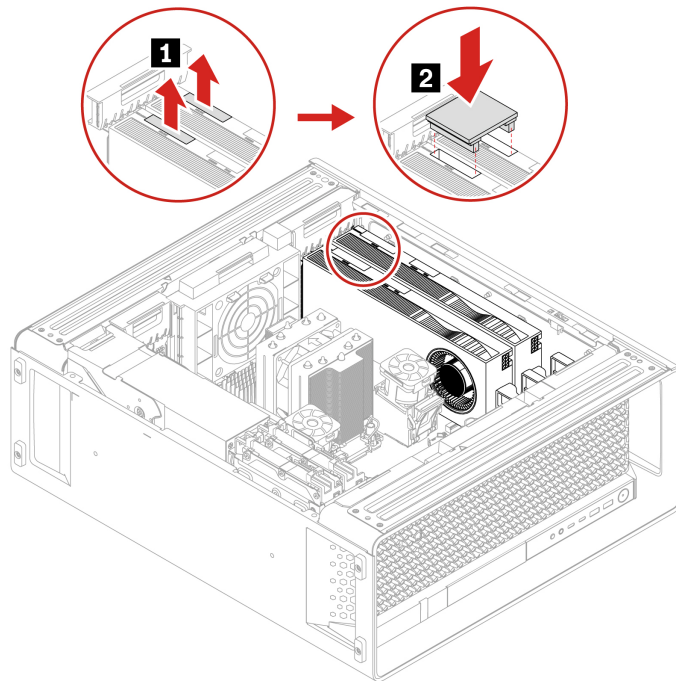
**Note:** The NVLINK bridge is shipped in an accessory box within the computer carton box. You need to take it out from the packaging and install it by yourself.

For access, do the following:

1. Remove the side cover. See “Side cover” on page 40.
2. Remove the CPU duct. See “CPU duct” on page 44.

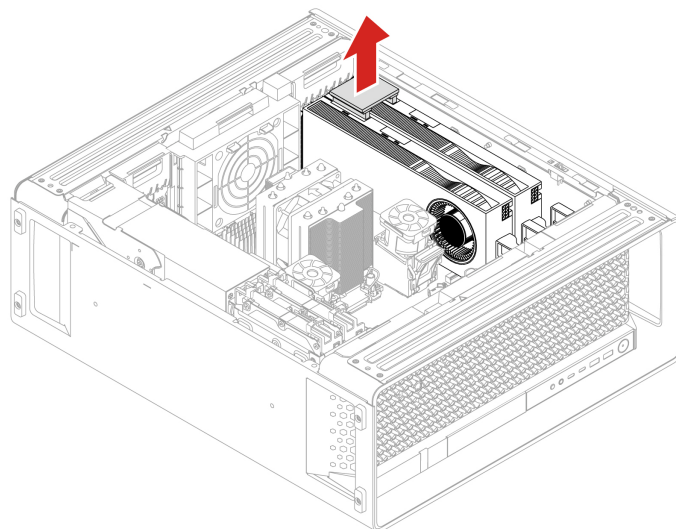
### Installation steps

Install the NVLINK bridge.



### Removal steps

Remove the NVLINK bridge.



---

## PCIe card bracket

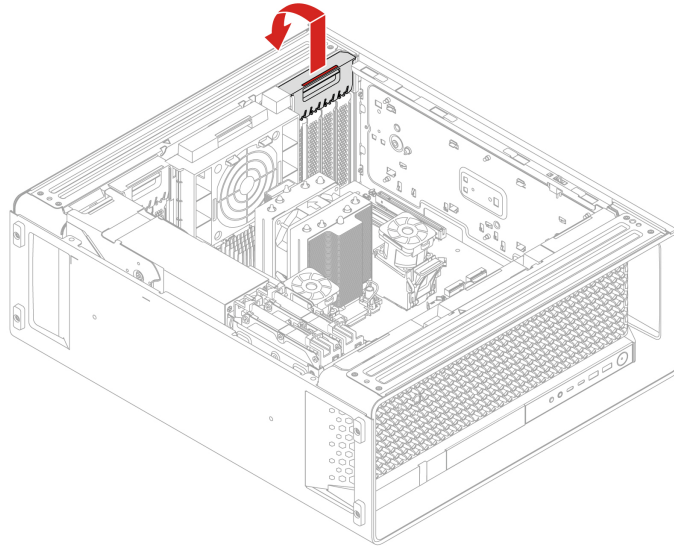
### Prerequisite

Before you start, read *Generic Safety and Compliance Notices*, and print the following instructions.

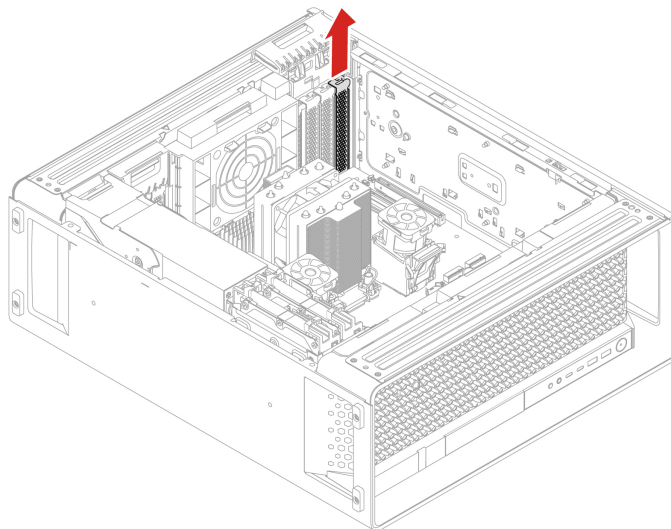
For access, remove the side cover. See “Side cover” on page 40

## Removal steps

1. Open the handle.



2. Remove the PCIe card bracket.



---

## PCIe card and extender

### Prerequisite

Before you start, read *Generic Safety and Compliance Notices*, and print the following instructions.

### Installation order

Install PCI-Express cards according to the corresponding slot types and the following illustrated installation order:

- 3 Slot 1 – Gen5 x16
- 5 Slot 2 – Gen4 x8
- 1 Slot 3 – Gen5 x16
- 6 Slot 4 – Gen4 x4
- 2 Slot 5 – Gen5 x16
- 4 Slot 6 – Gen4 x16
- 7 Slot 7 – Gen5 x4

Figure 1. PCIe card installation order

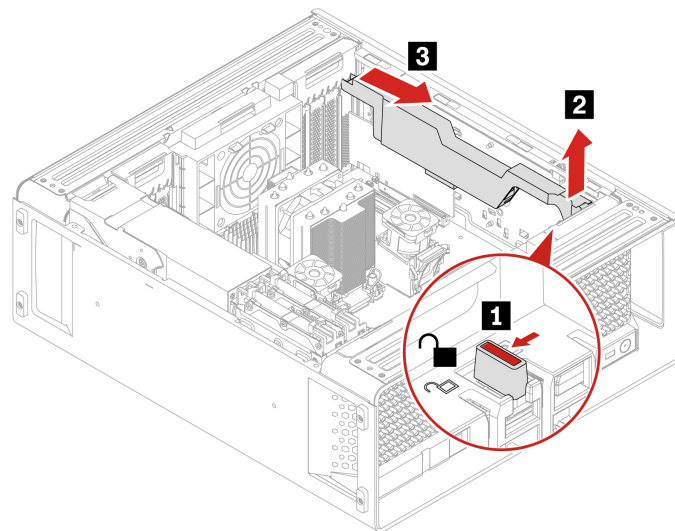
**Note:** Do not change the graphics card slot installation location if you replace a Geforce RTX 40X0 graphics card.

For access, do the following:

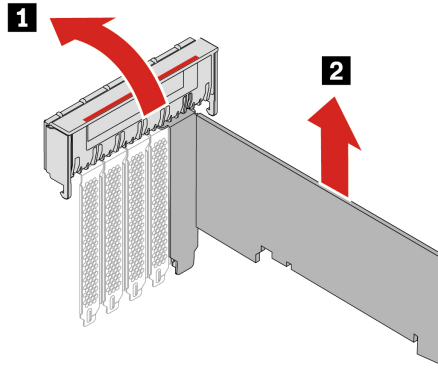
1. Remove the side cover. See “Side cover” on page 40.
2. Remove the PCIe card bracket if needed. See “PCIe card bracket” on page 61.
3. Disconnect the cable from the PCIe card if any.

**Removal steps for half-length PCIe card**

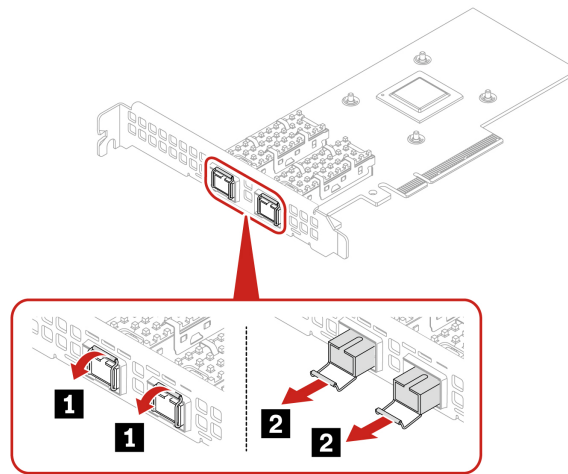
1. Remove the PCIe card retainer. The PCIe card retainer is only available on some PCIe cards.



2. Open the handle and remove the PCIe card. The card might fit tightly into the slot. If necessary, alternately move each side of the card a small amount until the card is removed from the slot.

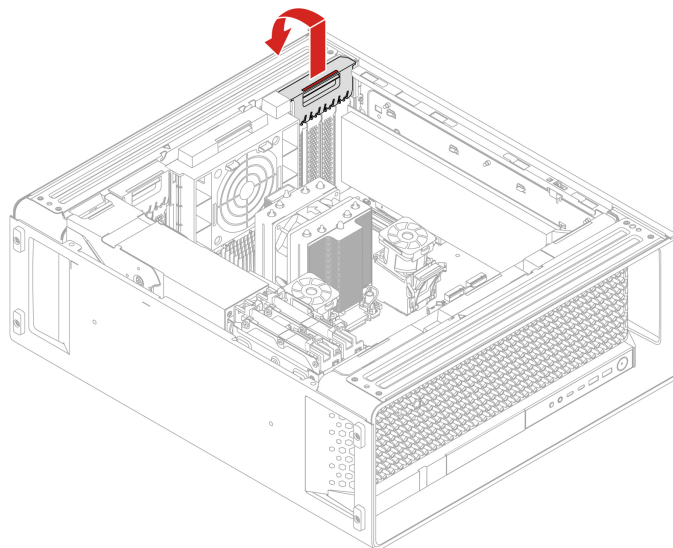


**Note:** For NVIDIA ConnectX-6 Ethernet Adapter card, the following fiber modules can be removed.

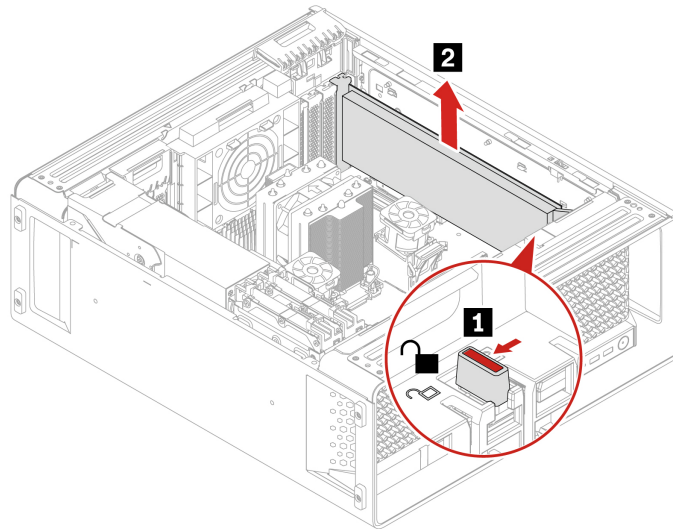


### Removal steps for full-length PCIe card

1. Open the handle.



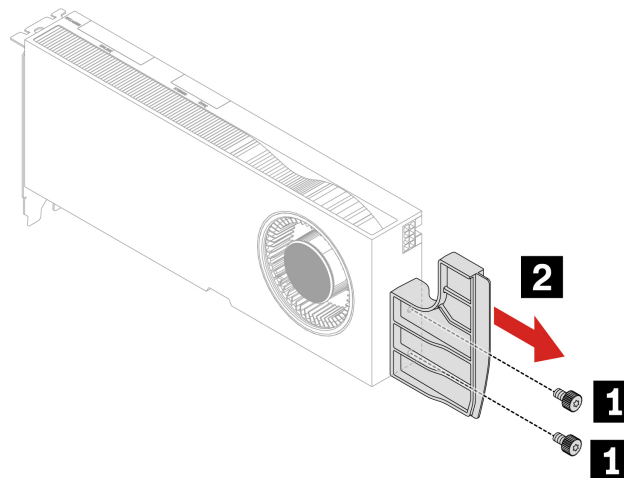
- Remove the PCIe card. The card might fit tightly into the slot. If necessary, alternately move each side of the card a small amount until the card is removed from the slot.



- Remove the PCIe card extender.

**Notes:**

- For computer models with GFX RTX 4000 Ada, the graphics card and the PCIe card extender work as a CRU assembly. Do not try to remove the extender.
- For computer models with double-width or wider graphics cards (such as NVIDIA RTX 6000 Ada and GeForce RTX 4080), the PCIe card extender is a customized CRU part. You can remove it according to the following illustration.
- If you want to install a double-width or wider graphics card, install the customized PCIe card extender first.



Screw (quantity)	Color	Torque
M3 x 5.5 mm, Nickle coated (2)	Black	3–3.5 lb/in





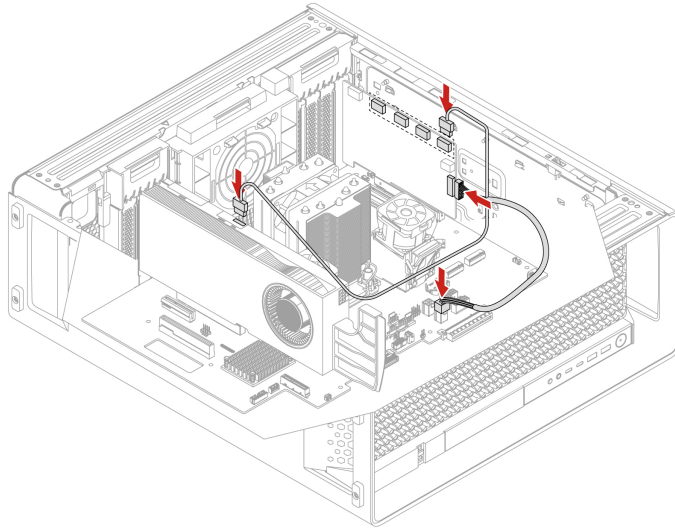


Figure 4. Cable connection for NVIDIA Quadro SYNC II card

## M.2 solid-state drive on an M.2 solid-state drive PCIe adapter

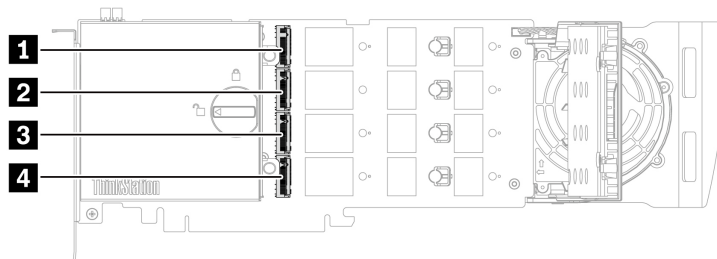
### Prerequisite

Before you start, read *Generic Safety and Compliance Notices*, and print the following instructions.

**Attention:** The internal storage drive is sensitive. Inappropriate handling might cause damage and permanent loss of data. When handling the internal storage drive, observe the following guidelines:

- Replace the internal storage drive only for repair. The internal storage drive is not designed for frequent changes or replacement.
- Before replacing the internal storage drive, make a backup copy of all the data that you want to keep.
- Do not touch the contact edge of the internal storage drive. Otherwise, the internal storage drive might get damaged.
- Do not apply pressure to the internal storage drive.
- Do not make the internal storage drive subject to physical shocks or vibration. Put the internal storage drive on a soft material, such as cloth, to absorb physical shocks.

Install M.2 solid-state drives in the following order as shown:

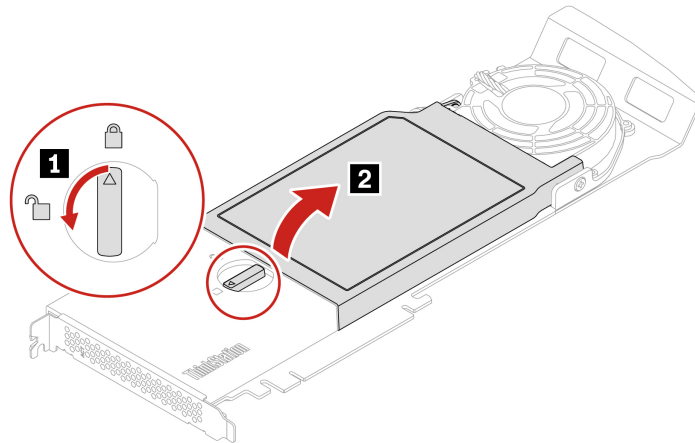


For access, do the following:

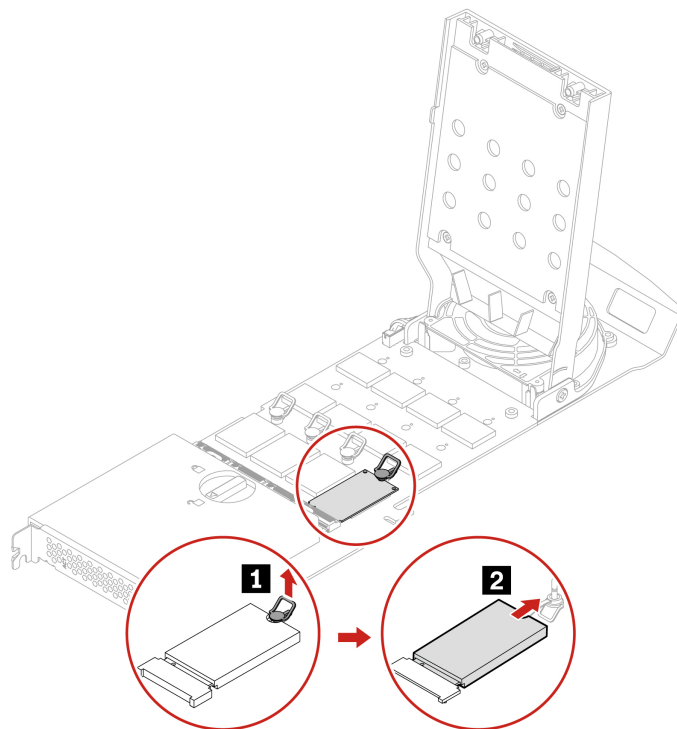
1. Remove the side cover. See “Side cover” on page 40.
2. Remove the PCI-Express card bracket if needed. See “PCI-Express card bracket” on page 61.
3. Disconnect the cable from the PCI-Express card if any.

### Removal steps

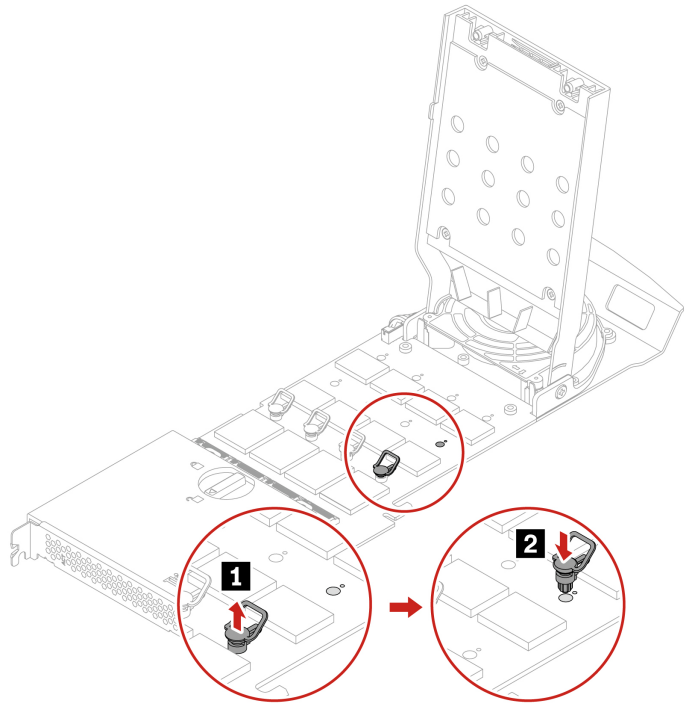
1. Rotate the lock to the open position to open the cover.



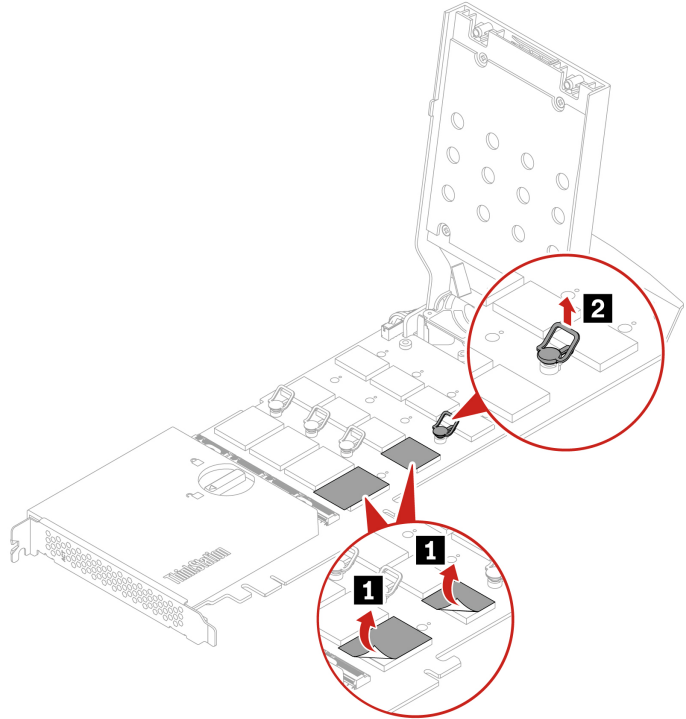
2. Pull the handle of the retention latch outward to release the M.2 solid-state drive. Then, remove the M.2 solid-state drive from the PCIe adapter.



If necessary, move the retention latch to an appropriate location to suit the length of the new M.2 solid-state drive.

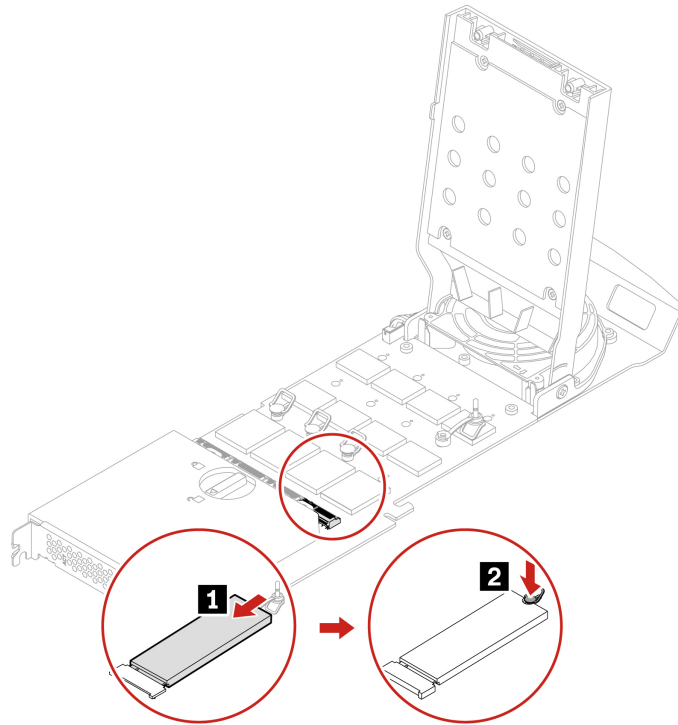


3. Remove the film on the thermal pad on which you want to install the M.2 solid-state drive. Pull the handle of the retention latch outward to the open position.

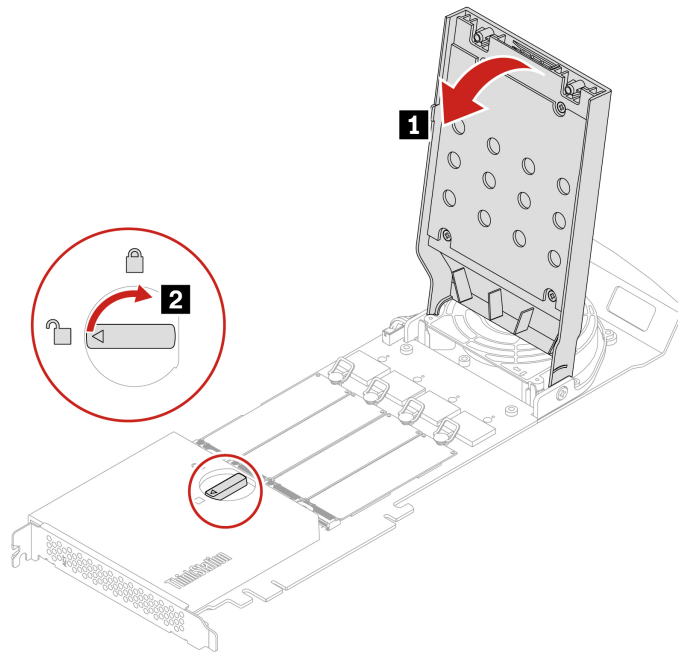


**Installation steps**

1. Install the M.2 solid-state drive. Then, insert the plug of the retention latch into the hole to secure the new drive. Do not touch the circuit board of the M.2 solid-state drive.



2. Rotate the lock to the close position to close the cover.



**Note:** Install the M.2 solid-state drive PCIe adapter in a PCIe x16 card slot on the system board. See “System board” on page 34.

---

## Flex bay fan

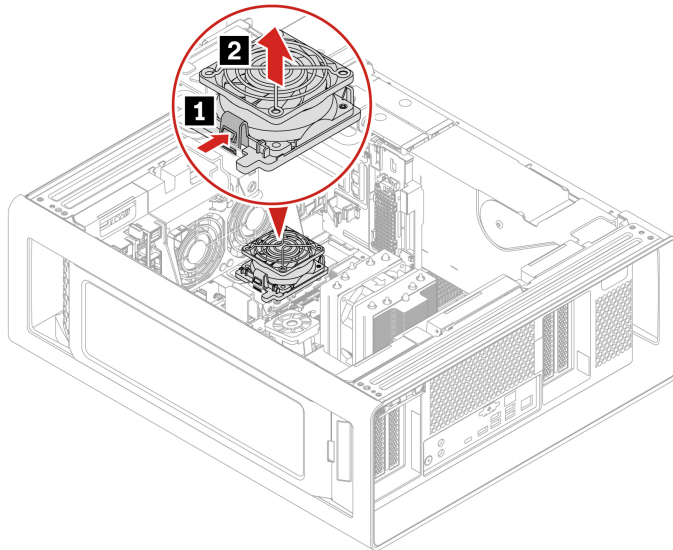
### Prerequisite

Before you start, read *Generic Safety and Compliance Notices*, and print the following instructions.

1. Remove the side cover. See “Side cover” on page 40.
2. Disconnect the cable from the fan.

### Removal steps

Remove the flex bay fan.



---

## Storage box in flex module

Before you start, read *Generic Safety and Compliance Notices*, and print the following instructions.

**Attention:** The internal storage drive is sensitive. Inappropriate handling might cause damage and permanent loss of data. When handling the internal storage drive, observe the following guidelines:

- Replace the internal storage drive only for repair. The internal storage drive is not designed for frequent changes or replacement.
- Before replacing the internal storage drive, make a backup copy of all the data that you want to keep.
- Do not touch the contact edge of the internal storage drive. Otherwise, the internal storage drive might get damaged.
- Do not apply pressure to the internal storage drive.
- Do not make the internal storage drive subject to physical shocks or vibration. Put the internal storage drive on a soft material, such as cloth, to absorb physical shocks.

You can install or replace a storage drive with a storage box in the flex module. The storage drive can be hot-swappable, which means that you can install or replace the drive without even turning off your computer. Therefore, lock the storage drive to prevent the unexpected removal. The keys are attached to the rear of the computer. Store the keys in a secure place.

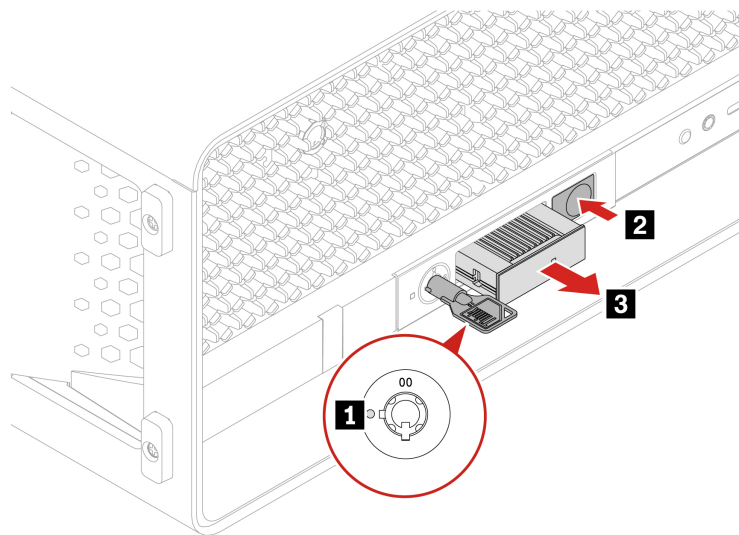
**Attention:** The storage drive in the flex module is hot-swappable only when the operating system of your computer does not reside on the storage drive installed in the flex module. If the requirement is not met, do not remove or install the storage drive when the computer is turned on. Otherwise, data on the storage drive might get damaged.

For access, do the following:

1. Remove any media from the drives and turn off all connected devices and the computer.
2. Disconnect all power cords from electrical outlets and disconnect all cables from the computer.

### Removal steps

You might need to use the key attached at the rear of the computer to unlock the flex module.



---

## M.2 solid-state drive in storage box

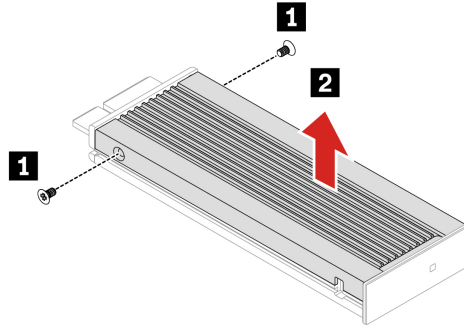
### Prerequisite

Before you start, read *Generic Safety and Compliance Notices*, and print the following instructions.

For access, please remove the flex module. See “Storage box in flex module” on page 71.

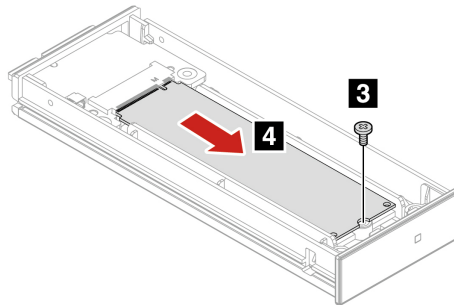
### Removal steps

1. Remove the M.2 solid-state drive from its heatsink kit.



Screw (quantity)	Color	Torque
M2 x 3.6 mm, Zn coated (2)	Blue	1.5± 0.2 lb/in

2. Remove the M.2 solid-state drive.



Screw (quantity)	Color	Torque
M2 x 4.5 mm, Zn coated (1)	Black	1.5± 0.2 lb/in

## Flex module

### Prerequisite

Before you start, read *Generic Safety and Compliance Notices*, and print the following instructions.

**Attention:** The storage drive is sensitive. Inappropriate handling might cause damage and permanent loss of data. When handling the storage drive, observe the following guidelines:

- Replace the storage drive only for repair. The storage drive is not designed for frequent changes or replacement.
- Before replacing the storage drive, make a backup copy of all the data that you want to keep.
- Do not touch the contact edge of the storage drive. Otherwise, the storage drive might get damaged.

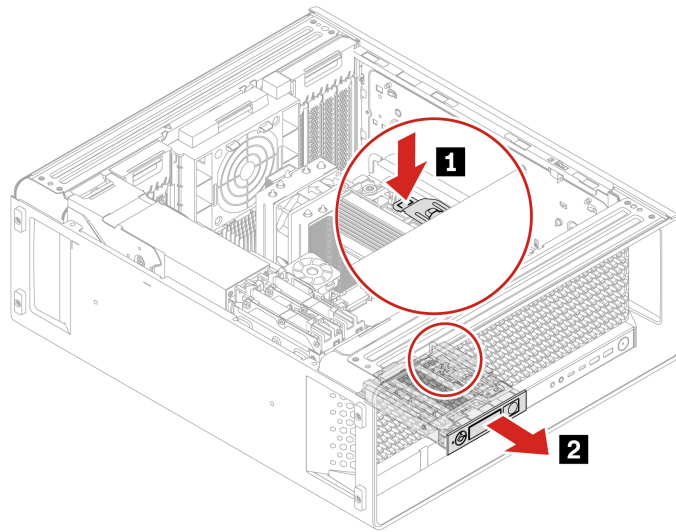
- Do not apply pressure to the storage drive.
- Do not make the storage drive subject to physical shocks or vibration. Put the storage drive on a soft material, such as cloth, to absorb physical shocks.

For access, do the following:

1. Remove the side cover. See “Side cover” on page 40.
2. Remove the CPU duct. See “CPU duct” on page 44.
3. Remove the front fan. See “Front fan” on page 51.

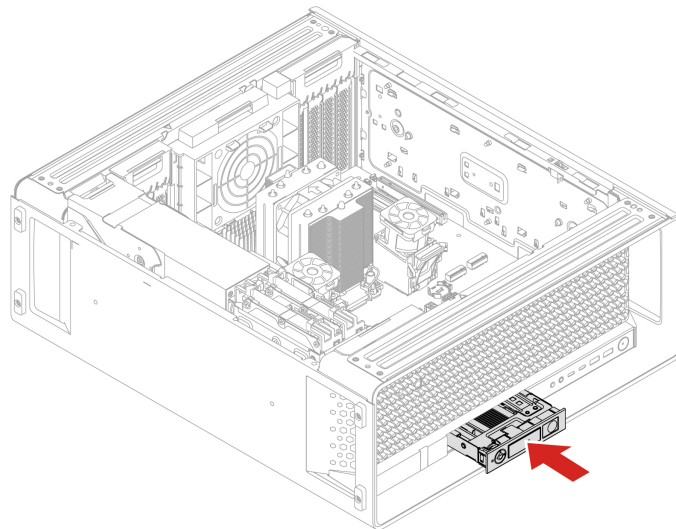
### Removal steps

Remove the flex module.



### Installation steps

Install the flex module.





---

## 15-in-1 Media card reader

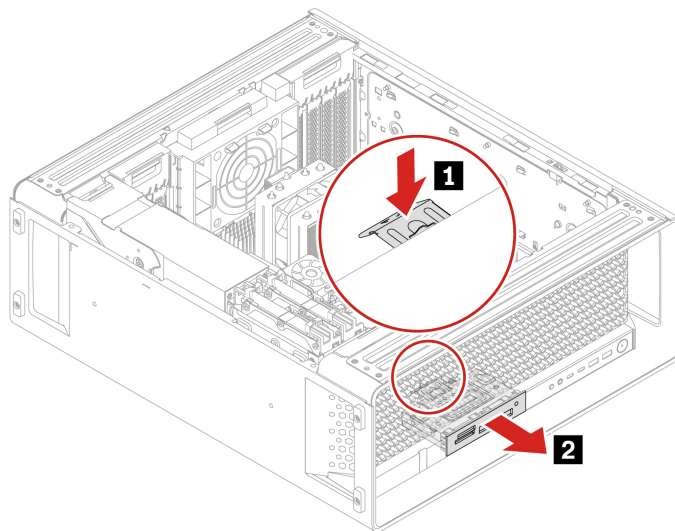
Before you start, read *Generic Safety and Compliance Notices*, and print the following instructions.

For access, do the following:

1. Remove the side cover. See “Side cover” on page 40.
2. Remove the CPU duct. See “CPU duct” on page 44.
3. Remove the front fan. See “Front fan” on page 51.
4. Disconnect the cable from the media card reader.

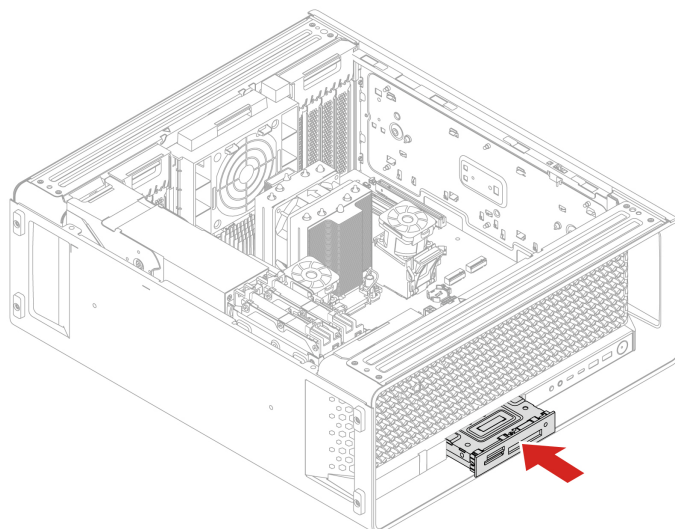
### Removal steps

Remove the media card reader.



### Installation steps

Install the media card reader.



---

## Internal speaker

### Prerequisite

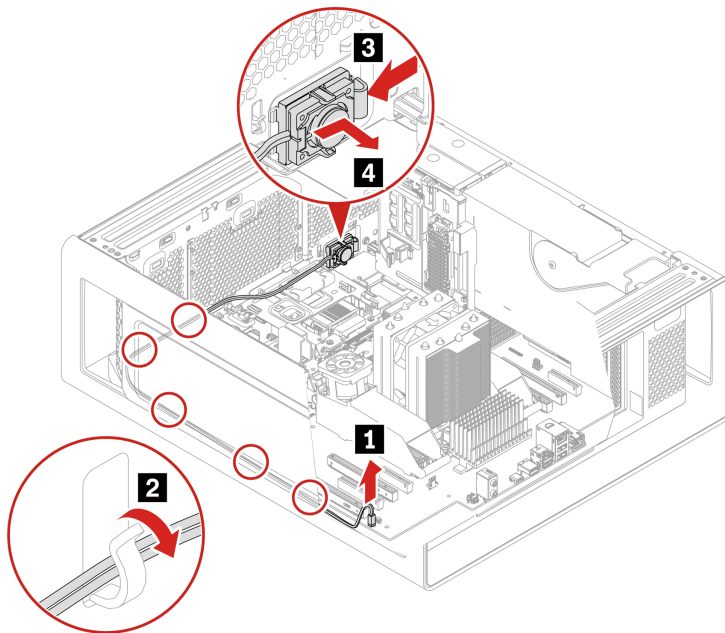
Before you start, read *Generic Safety and Compliance Notices*, and print the following instructions.

For access, do the following:

1. Remove the side cover. See “Side cover” on page 40.
2. Remove the CPU duct. See “CPU duct” on page 44.
3. Remove the front fan. See “Front fan” on page 51.
4. Remove the rear fan. See “Rear fan” on page 52.
5. Remove the upper PCI-Express fan. See “Upper PCIe fan” on page 53.
6. Remove the hard disk and lower PCI-Express fan. See “Hard disk drive and lower PCIe fan” on page 54.

### Removal steps

Remove the internal speaker.



---

## Power supply assembly

### Prerequisite

Before you start, read *Generic Safety and Compliance Notices*, and print the following instructions.

Although there are no moving parts in the computer after the power cord has been disconnected, the following warnings are required for your safety.



Keep fingers and other parts of your body away from hazardous, moving parts. If you suffer an injury, seek medical care immediately. Never remove the cover on a power supply or any part that has the following label attached.

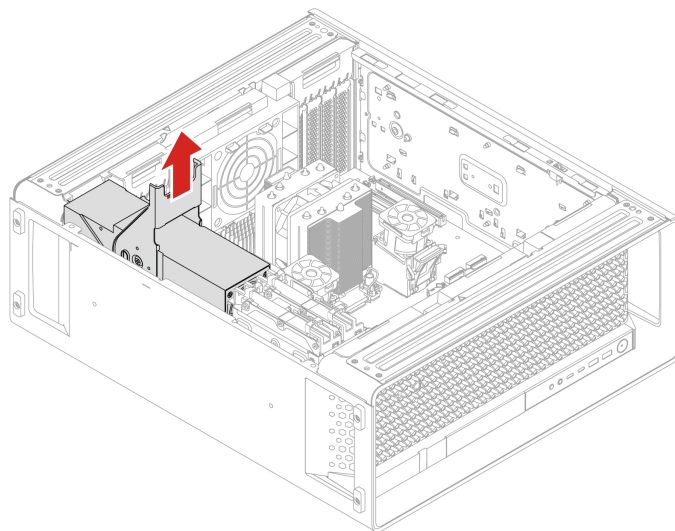
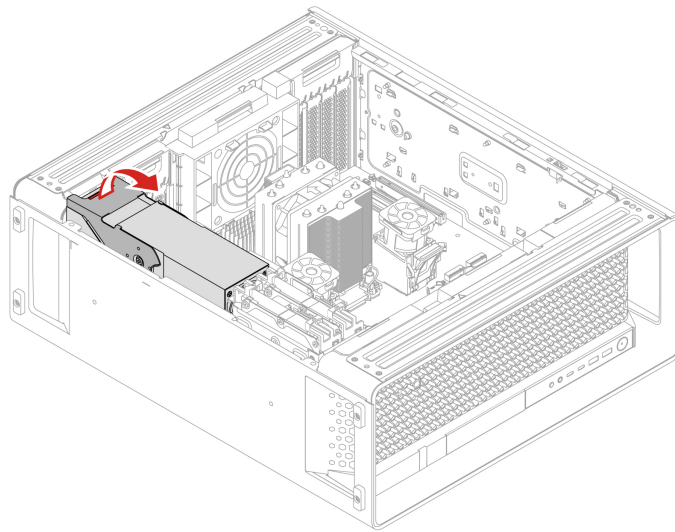


Hazardous voltage, current, and energy levels are present inside any component that has this label attached. There are no serviceable parts inside these components. If you suspect a problem with one of these parts, contact a service technician.

For access, please remove the side cover. See “Side cover” on page 40.

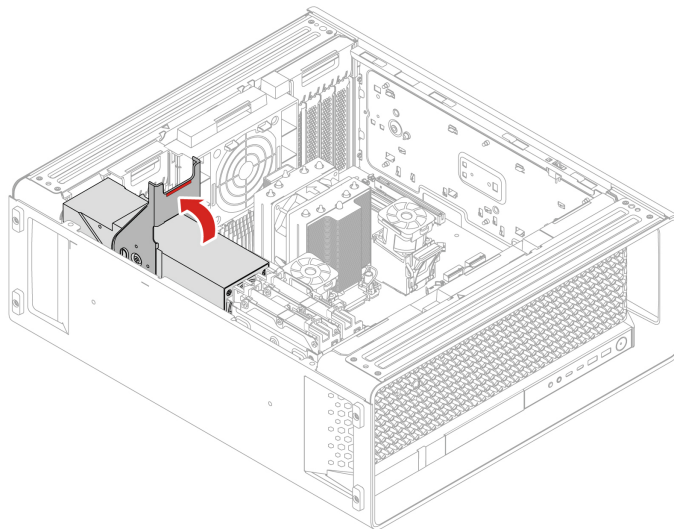
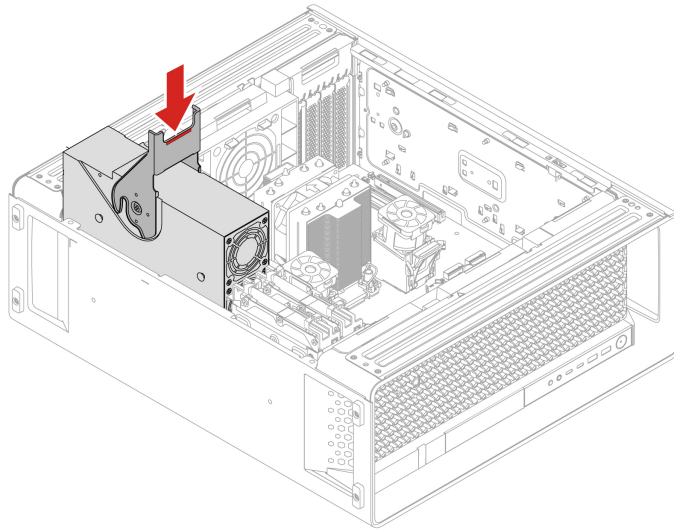
### Removal steps

Remove the power supply assembly.



## Installation steps

Install the power supply assembly.



---

## Chapter 6. Help and support

---

### Self-help resources

Use the following self-help resources to learn more about the computer and troubleshoot problems.

Resources	How to access?
Troubleshooting and frequently asked questions	<ul style="list-style-type: none"><li>• <a href="https://www.lenovo.com/tips">https://www.lenovo.com/tips</a></li><li>• <a href="https://forums.lenovo.com">https://forums.lenovo.com</a></li></ul>
Accessibility information	<a href="https://www.lenovo.com/accessibility">https://www.lenovo.com/accessibility</a>
Reset or restore Windows	<ul style="list-style-type: none"><li>• Use Lenovo recovery options.<ol style="list-style-type: none"><li>1. Go to <a href="https://support.lenovo.com/HowToCreateLenovoRecovery">https://support.lenovo.com/HowToCreateLenovoRecovery</a>.</li><li>2. Follow the on-screen instructions.</li></ol></li><li>• Use Windows recovery options.<ol style="list-style-type: none"><li>1. Go to <a href="https://pcsupport.lenovo.com">https://pcsupport.lenovo.com</a>.</li><li>2. Detect your computer or manually select your computer model.</li><li>3. Navigate to the troubleshooting menu to diagnose the operating system for recovery instructions.</li></ol></li></ul>
Use the Vantage app to:	
<ul style="list-style-type: none"><li>• Configure device settings.</li><li>• Download and install UEFI BIOS, drivers and firmware updates.</li><li>• Secure your computer from outside threats.</li><li>• Diagnose hardware problems.</li><li>• Check the computer warranty status.</li><li>• Access <i>User Guide</i> and helpful articles.</li></ul>	Type Vantage in the Windows search box.
<b>Note:</b> The available features vary depending on the computer model.	
Product documentation:	
<ul style="list-style-type: none"><li>• <i>Safety and Warranty Guide</i></li><li>• <i>Generic Safety and Compliance Notices</i></li><li>• <i>Setup Guide</i></li><li>• <i>This User Guide</i></li><li>• <i>Regulatory Notice</i></li></ul>	Go to <a href="https://pcsupport.lenovo.com">https://pcsupport.lenovo.com</a> . Then, follow the on-screen instructions to filter out the documentation you want.

---

Resources	How to access?
Lenovo Support Web site with the latest support information of the following:	
<ul style="list-style-type: none"> <li>• Drivers and software</li> <li>• Diagnostic solutions</li> <li>• Product and service warranty</li> <li>• Product and parts details</li> <li>• Knowledge base and frequently asked questions</li> </ul>	<a href="https://pcsupport.lenovo.com">https://pcsupport.lenovo.com</a>
Windows help information	<ul style="list-style-type: none"> <li>• Type Get Help or Tips in the Windows search box.</li> <li>• Use Windows Search or the Cortana® personal assistant.</li> <li>• Microsoft support Web site: <a href="https://support.microsoft.com">https://support.microsoft.com</a></li> </ul>

## Call Lenovo

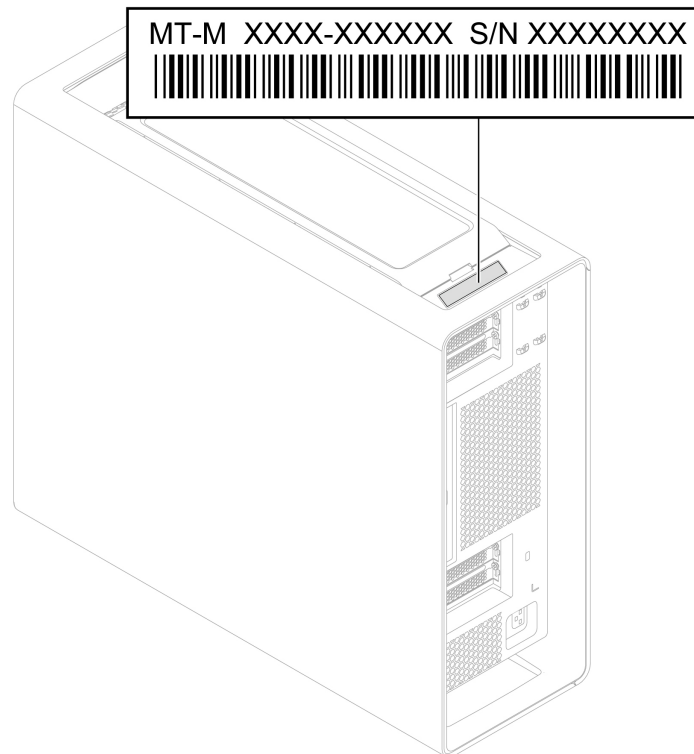
If you have tried to correct the problem yourself and still need help, you can call Lenovo Customer Support Center.

### Before you contact Lenovo

Prepare the following before you contact Lenovo:

1. Record the problem symptoms and details:
  - What is the problem? Is it continuous or intermittent?
  - Any error message or error code?
  - What operating system are you using? Which version?
  - Which software applications were running at the time of the problem?
  - Can the problem be reproduced? If so, how?
2. Record the system information:
  - Product name
  - Machine type and serial number

The following illustration shows where to find the machine type and serial number of your computer.



### Lenovo Customer Support Center

During the warranty period, you can call Lenovo Customer Support Center for help.

### Telephone numbers

For a list of the Lenovo Support phone numbers for your country or region, go to:

<https://pcsupport.lenovo.com/supportphonenumberlist>

**Note:** Phone numbers are subject to change without notice. If the number for your country or region is not provided, contact your Lenovo reseller or Lenovo marketing representative.

---

## Certification-related information

**Product name:** ThinkStation P7

**Machine types:** 30F2 , 30F3 , 30F4 , 30F5 , 30F6 , and 30F7

Further compliance information related to your product is available at <https://www.lenovo.com/compliance>.

---

## Compliance information

For more compliance information, refer to *Regulatory Notice* at <https://pcsupport.lenovo.com> and *Generic Safety and Compliance Notices* at [https://pcsupport.lenovo.com/docs/generic\\_notices](https://pcsupport.lenovo.com/docs/generic_notices).

---

## Purchase accessories

Lenovo has a number of hardware accessories and upgrades to help expand the capabilities of your computer. Options include memory modules, storage devices, network cards, power adapters, keyboards, mice, and more.

To shop at Lenovo, go to <https://www.lenovo.com/accessories>.

---

## Purchase additional services

During and after the warranty period, you can purchase additional services from Lenovo at: <https://pcsupport.lenovo.com/warrantyupgrade>

Service availability and service name might vary by country or region.



---

## Appendix A. Notices and trademarks

### Notices

Lenovo may not offer the products, services, or features discussed in this document in all countries. Consult your local Lenovo representative for information on the products and services currently available in your area. Any reference to a Lenovo product, program, or service is not intended to state or imply that only that Lenovo product, program, or service may be used. Any functionally equivalent product, program, or service that does not infringe any Lenovo intellectual property right may be used instead. However, it is the user's responsibility to evaluate and verify the operation of any other product, program, or service.

Lenovo may have patents or pending patent programs covering subject matter described in this document. The furnishing of this document does not give you any license to these patents. You can send license inquiries, in writing, to:

*Lenovo (United States), Inc.  
8001 Development Drive  
Morrisville, NC 27560  
U.S.A.  
Attention: Lenovo Director of Licensing*

LENOVO PROVIDES THIS PUBLICATION "AS IS" WITHOUT WARRANTY OF ANY KIND, EITHER EXPRESS OR IMPLIED, INCLUDING, BUT NOT LIMITED TO, THE IMPLIED WARRANTIES OF NON-INFRINGEMENT, MERCHANTABILITY OR FITNESS FOR A PARTICULAR PURPOSE. Some jurisdictions do not allow disclaimer of express or implied warranties in certain transactions, therefore, this statement may not apply to you.

Changes are made periodically to the information herein; these changes will be incorporated in new editions of the publication. To provide better service, Lenovo reserves the right to improve and/or modify the products and software programs described in the manuals included with your computer, and the content of the manual, at any time without additional notice.

The software interface and function and hardware configuration described in the manuals included with your computer might not match exactly the actual configuration of the computer that you purchase. For the configuration of the product, refer to the related contract (if any) or product packing list, or consult the distributor for the product sales. Lenovo may use or distribute any of the information you supply in any way it believes appropriate without incurring any obligation to you.

The products described in this document are not intended for use in implantation or other life support applications where malfunction may result in injury or death to persons. The information contained in this document does not affect or change Lenovo product specifications or warranties. Nothing in this document shall operate as an express or implied license or indemnity under the intellectual property rights of Lenovo or third parties. All information contained in this document was obtained in specific environments and is presented as an illustration. The result obtained in other operating environments may vary.

Lenovo may use or distribute any of the information you supply in any way it believes appropriate without incurring any obligation to you.

Any references in this publication to non-Lenovo Web sites are provided for convenience only and do not in any manner serve as an endorsement of those Web sites. The materials at those Web sites are not part of the materials for this Lenovo product, and use of those Web sites is at your own risk.

Any performance data contained herein was determined in a controlled environment. Therefore, the result obtained in other operating environments may vary significantly. Some measurements may have been made on development-level systems and there is no guarantee that these measurements will be the same on generally available systems. Furthermore, some measurements may have been estimated through extrapolation. Actual results may vary. Users of this document should verify the applicable data for their specific environment.

This document is copyrighted by Lenovo and is not covered by any open source license, including any Linux agreement(s) which may accompany software included with this product. Lenovo may update this document at any time without notice.

For the latest information or any questions or comments, contact or visit the Lenovo Web site:

<https://pcsupport.lenovo.com>

### **Trademarks**

Lenovo, Lenovo logo, ThinkStation, and ThinkStation logo are trademarks of Lenovo. Intel, Core, and Thunderbolt are trademarks of Intel Corporation or its subsidiaries in the U.S. and/or other countries. Microsoft, Windows, and Cortana are trademarks of the Microsoft group of companies. Mini DisplayPort (mDP) and DisplayPort are trademarks of the Video Electronics Standards Association. The terms HDMI and HDMI High-Definition Multimedia Interface are trademarks or registered trademarks of HDMI Licensing LLC in the United States and other countries. Wi-Fi, Wi-Fi Alliance, and Miracast are registered trademarks of Wi-Fi Alliance. USB-C is a registered trademark of USB Implementers Forum. All other trademarks are the property of their respective owners.



**Lenovo**