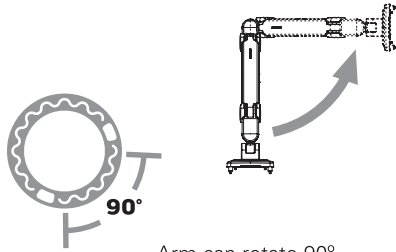
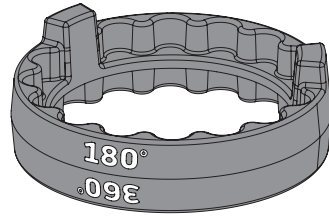
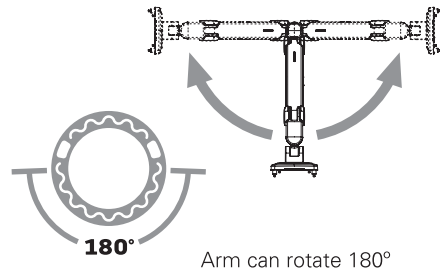


STEP 7:

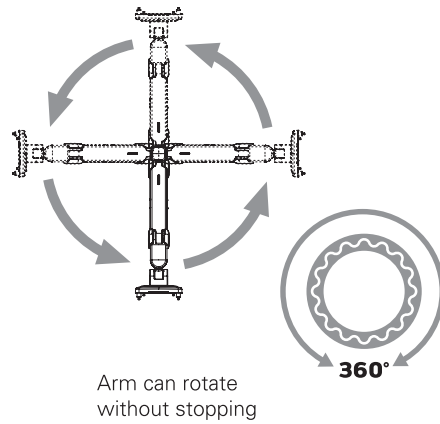
Position the stop ring to limit the arm's range of motion. The marked angle will be in the center of the range of motion.



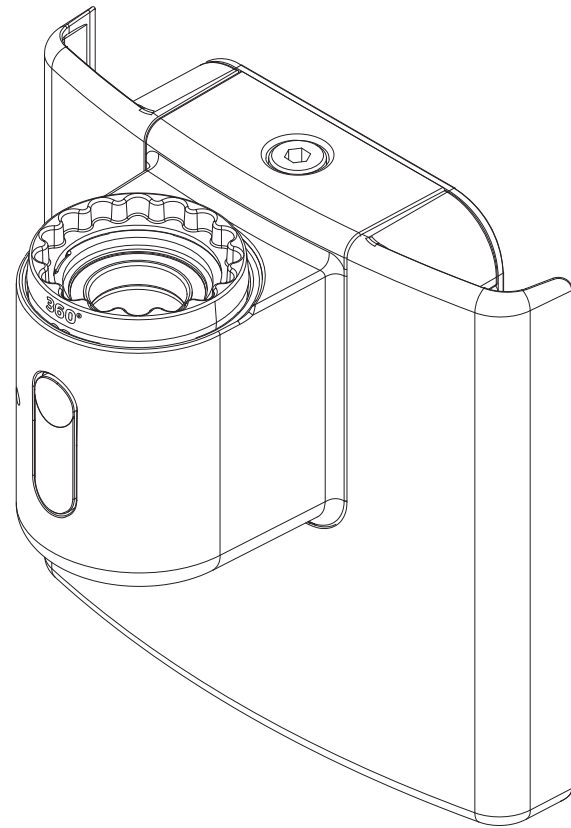
Arm can rotate 90°



Arm can rotate 180°



Arm can rotate without stopping

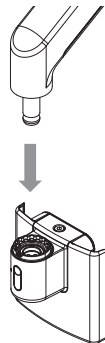


STEP 8:

Insert monitor arm into the mount until release button locks in place.

To remove arm press release button and pull the arm up near the joint.

Note: If using a 3 link configuration, one of the links must be a 4" link.

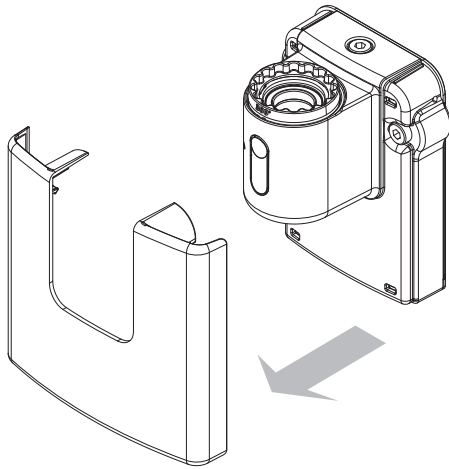


M8.1 / M10

Direct Wall Mount
Installation Instructions

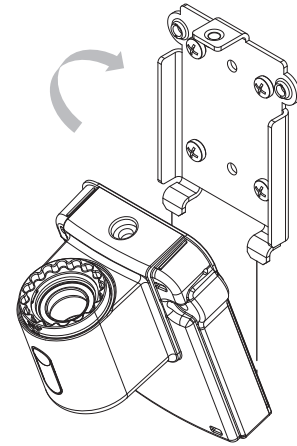
STEP 1:

Remove the plastic front cover.



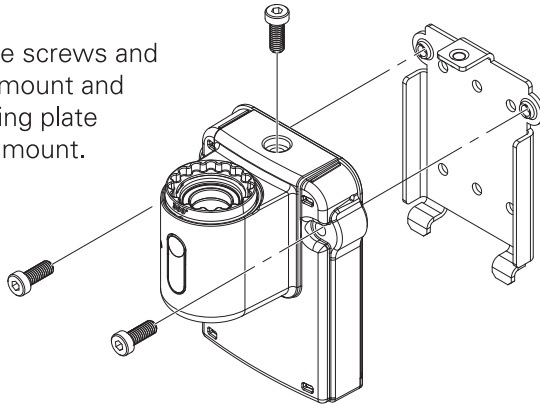
STEP 4:

Align the mount with the mounting plate on the wall.



STEP 2:

Remove the two side screws and top screw from the mount and separate the mounting plate from the rest of the mount.



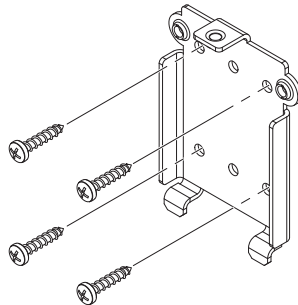
STEP 5:

Reinstall the two side screws and top screw into the mount and tighten.



STEP 3:

Attach the mounting plate to a wall stud or other structural support using the screws provided. Mounting to drywall alone is not recommended. Use level to ensure that mounting plate is perfectly level.



STEP 6:

Reinstall the plastic cover.

