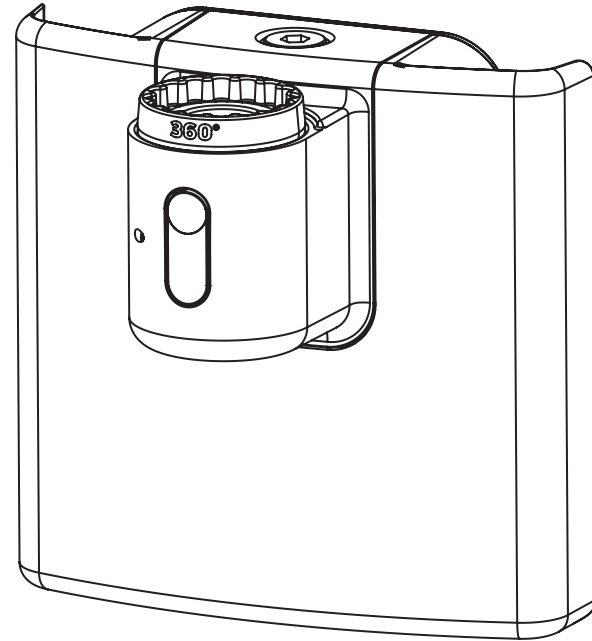
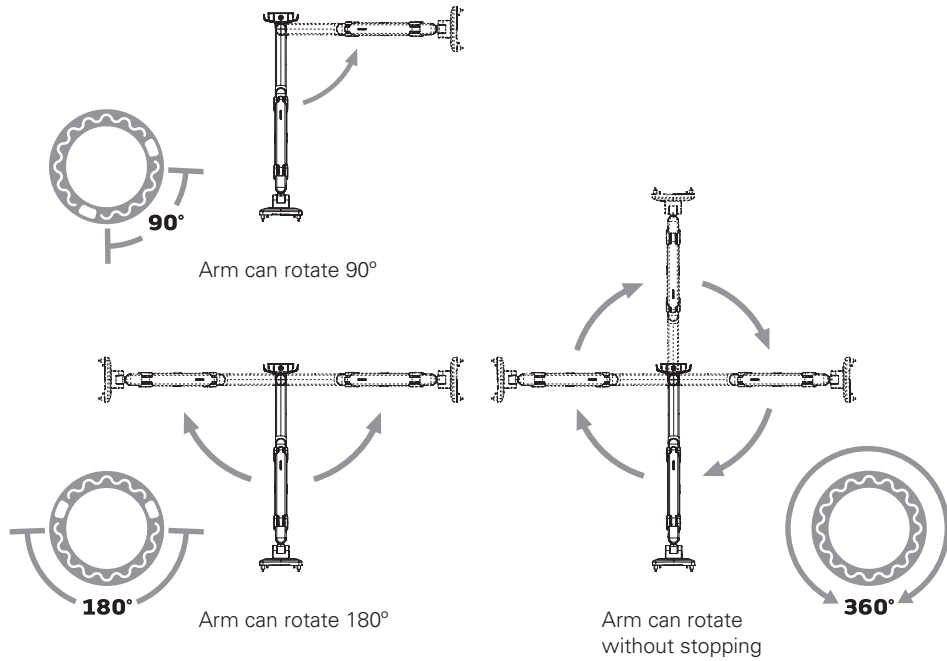
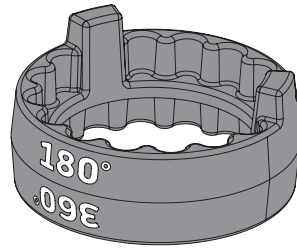


STEP 7:

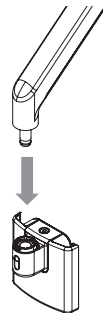
Position the stop ring to limit the arm's range of motion if desired. The marked angle will be in the center of the range of motion.



STEP 8:

Insert monitor arm into the mount until release button locks in place.

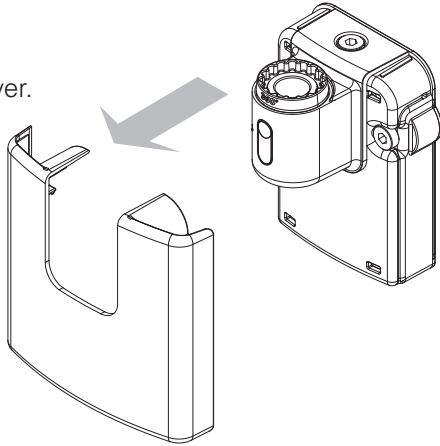
To remove arm press release button and pull the arm up near the joint.



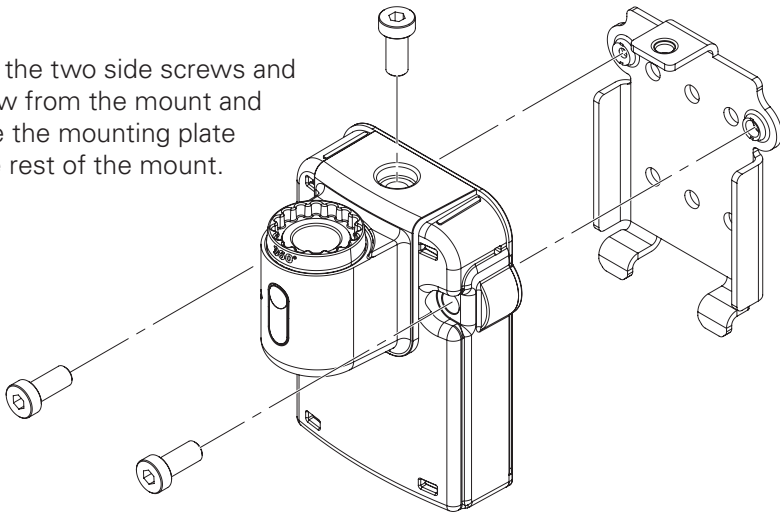
M2.1

Direct Wall Mount Installation Instructions

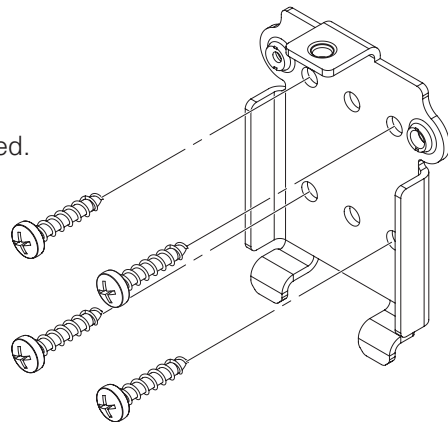
STEP 1:
Remove the plastic front cover.



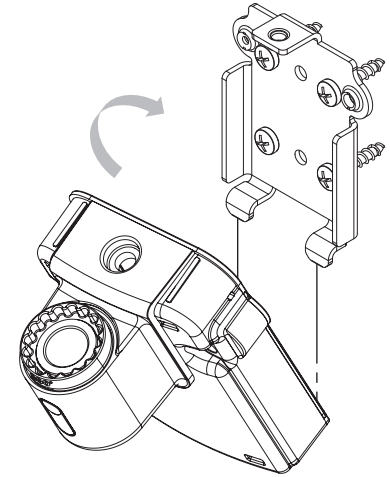
STEP 2:
Remove the two side screws and top screw from the mount and separate the mounting plate from the rest of the mount.



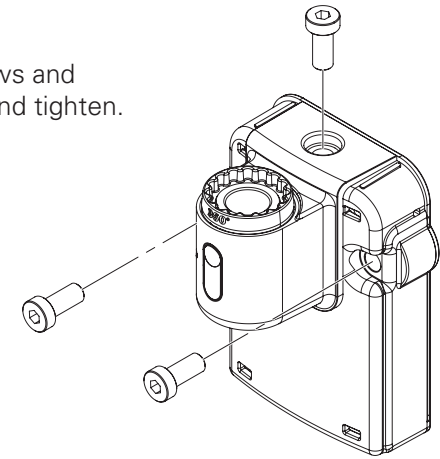
STEP 3:
Attach the mounting plate to a wall stud or other structural support using the screws provided. Mounting to drywall alone is not recommended. Use level to ensure that mounting plate is perfectly level.



STEP 4:
Align the mount with the mounting plate on the wall.



STEP 5:
Reinstall the two side screws and top screw into the mount and tighten.



STEP 6:
Reinstall the plastic cover.

