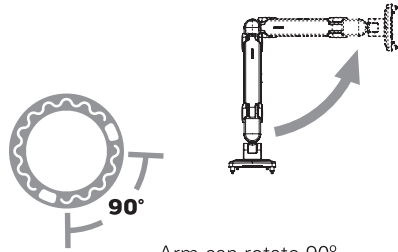
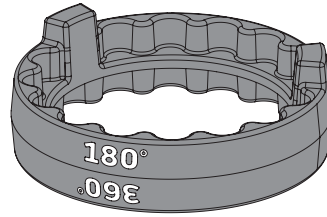
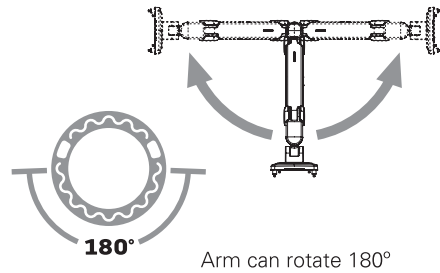


STEP 7:

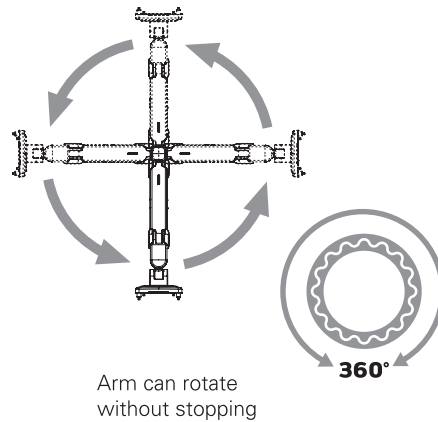
Position the stop ring to limit the arm's range of motion. The marked angle will be in the center of the range of motion.



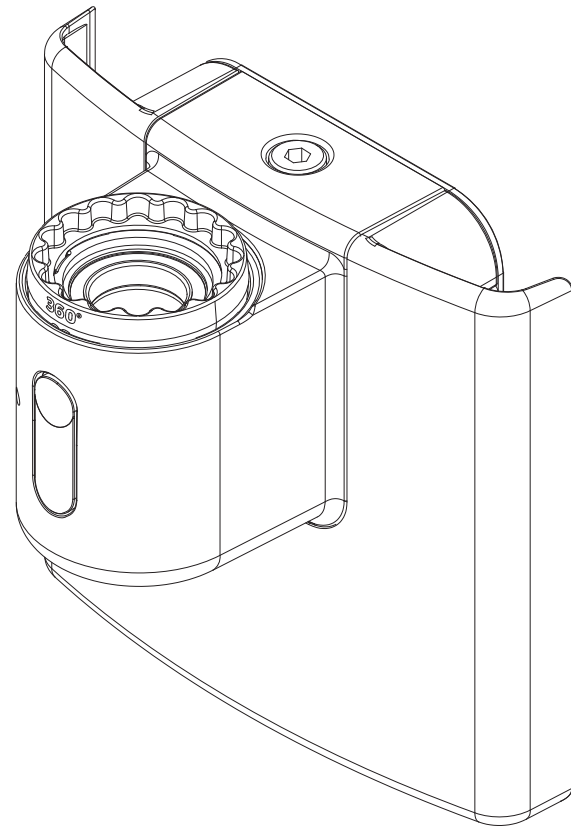
Arm can rotate 90°



Arm can rotate 180°



Arm can rotate without stopping

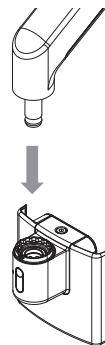


STEP 8:

Insert monitor arm into the mount until release button locks in place.

To remove arm press release button and pull the arm up near the joint.

Note: If using a 3 link configuration, one of the links must be a 4" link.

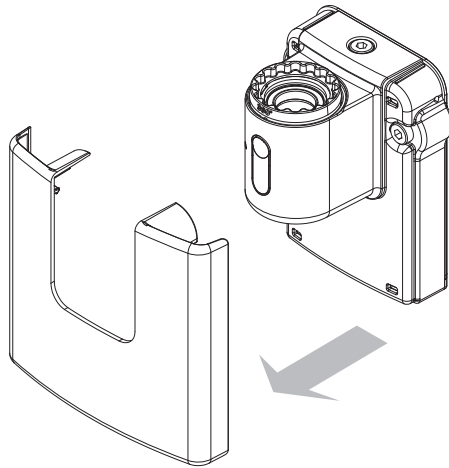


M8.1 / M10

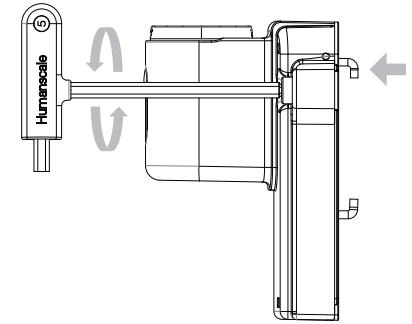
SlatWall Mount Installation Instructions

STEP 1:

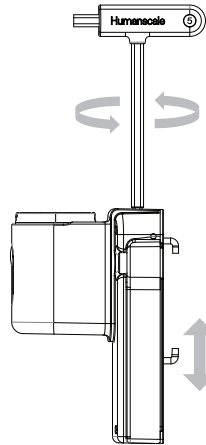
Remove the plastic front cover.

**STEP 4:**

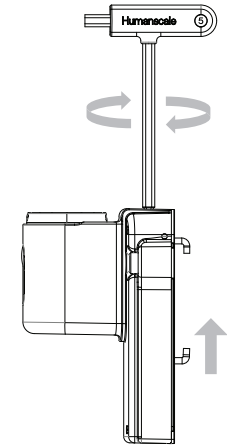
Place the mount on rail and turn both front screws clockwise to secure the top hook.

**STEP 2:**

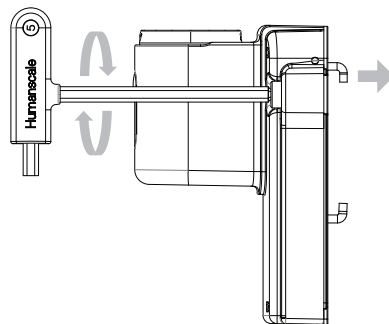
Adjust the spacing between hooks with the top screw to fit onto rail.
Turn clockwise to tighten hooks and counter-clockwise to expand.

**STEP 5:**

Turn the top screw clockwise to secure the lower hook.

**STEP 3:**

Turn both front screws counter-clockwise to loosen the top hook if needed to fit onto rail.

**STEP 6:**

Reinstall the plastic cover.

