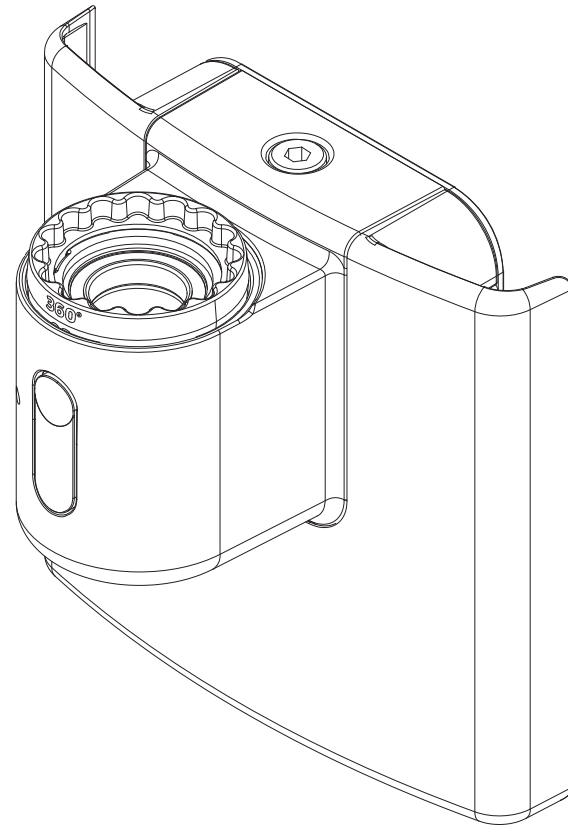
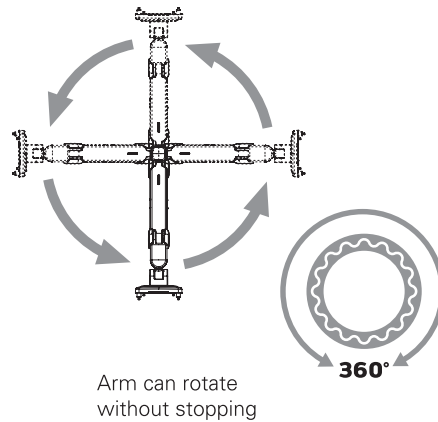
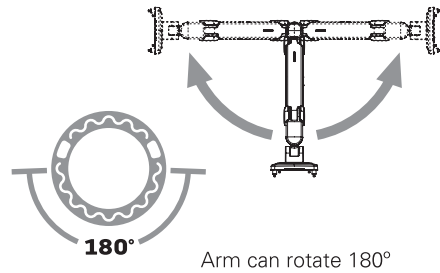
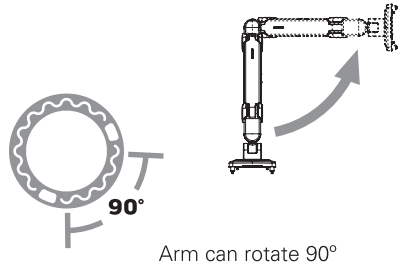
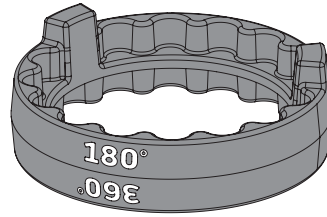


**STEP 7:**

Position the stop ring to limit the arm's range of motion. The marked angle will be in the center of the range of motion.

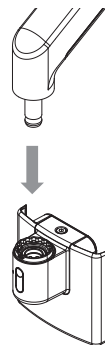


**STEP 8:**

Insert monitor arm into the mount until release button locks in place.

To remove arm press release button and pull the arm up near the joint.

Note: If using a 3 link configuration, one of the links must be a 4" link.

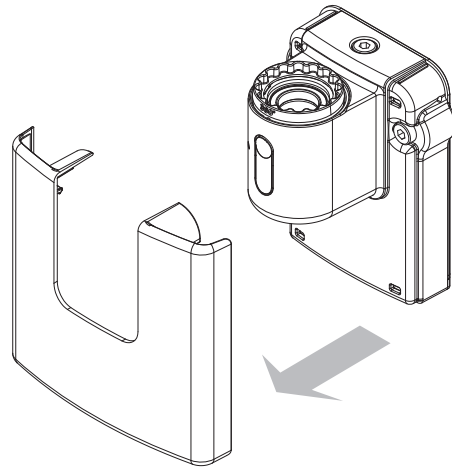


# M8.1 / M10

## SlatWall Mount Installation Instructions

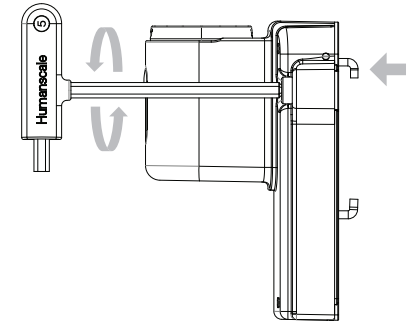
**STEP 1:**

Remove the plastic front cover.



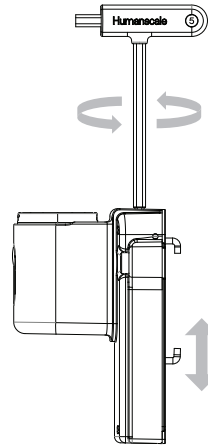
**STEP 4:**

Place the mount on rail and turn both front screws clockwise to secure the top hook.



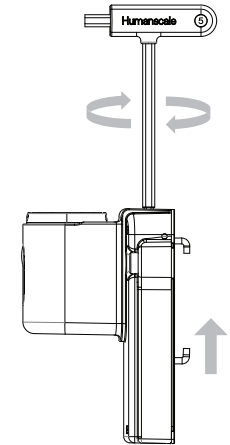
**STEP 2:**

Adjust the spacing between hooks with the top screw to fit onto rail.  
Turn clockwise to tighten hooks and counter-clockwise to expand.



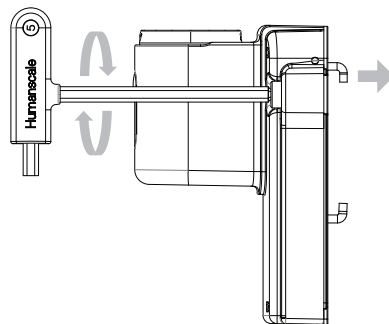
**STEP 5:**

Turn the top screw clockwise to secure the lower hook.



**STEP 3:**

Turn both front screws counter-clockwise to loosen the top hook if needed to fit onto rail.



**STEP 6:**

Reinstall the plastic cover.

