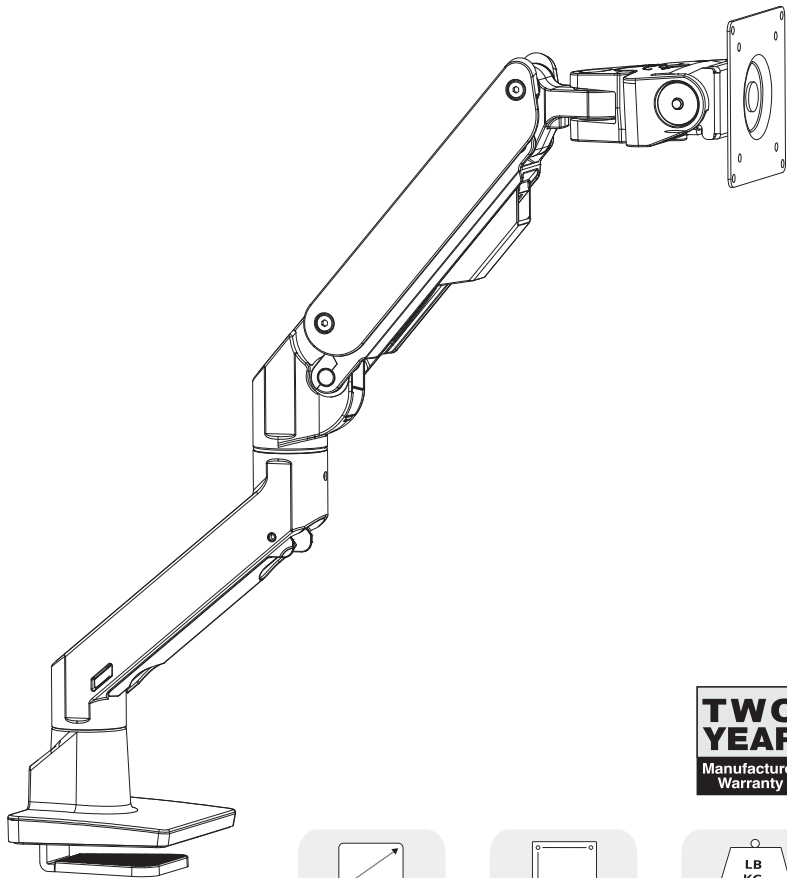


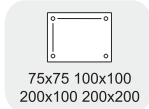
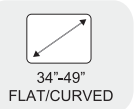


# Single Heavy Duty Monitor Arm for Top Mount - 34" - 49"

## Installation Guide

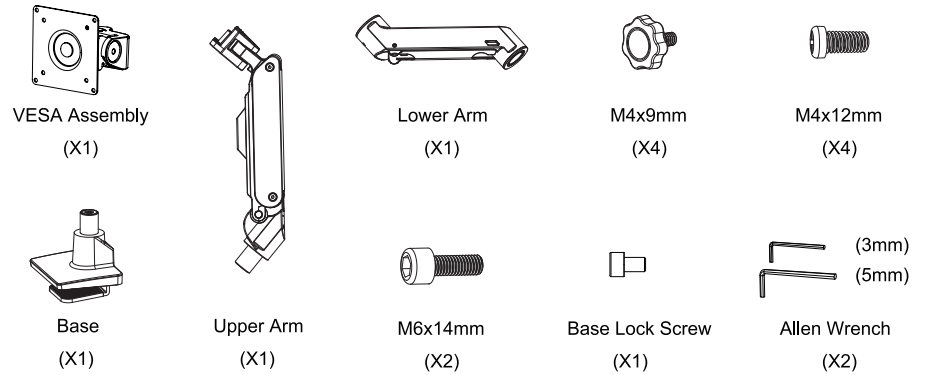


P/N: CE-MT3S11-S1  
04-1413A

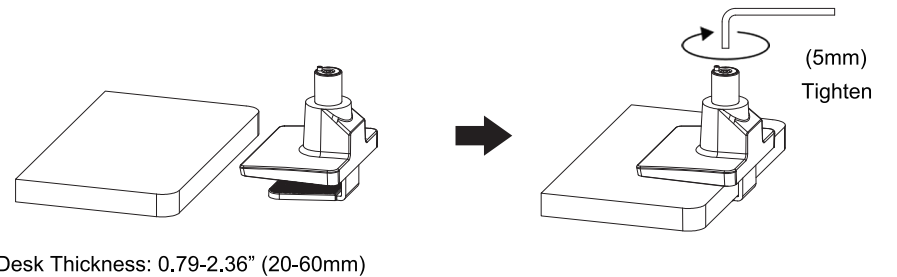


**TWO**  
YEAR  
Manufacturer  
Warranty

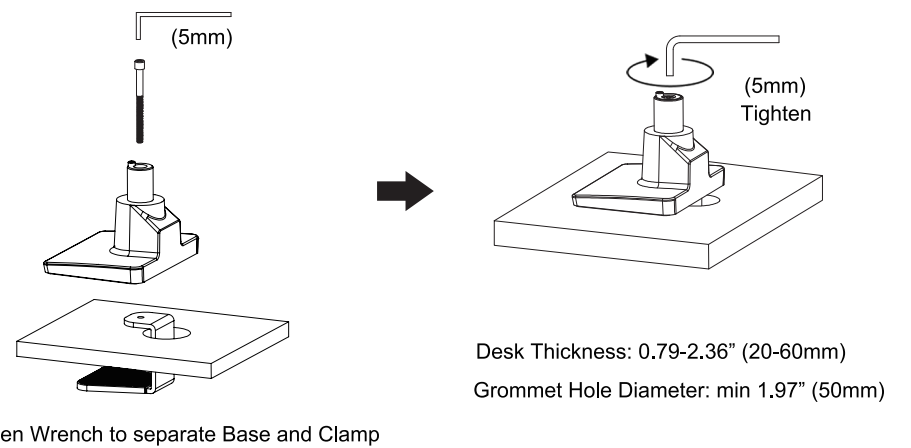
### 1 Parts List



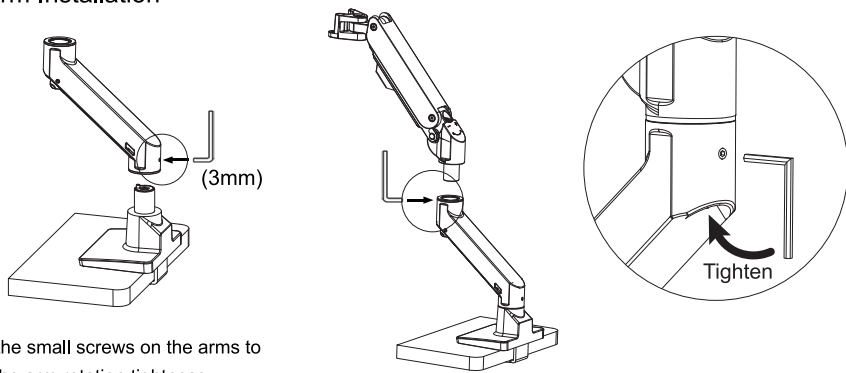
### 2a Clamp Installation



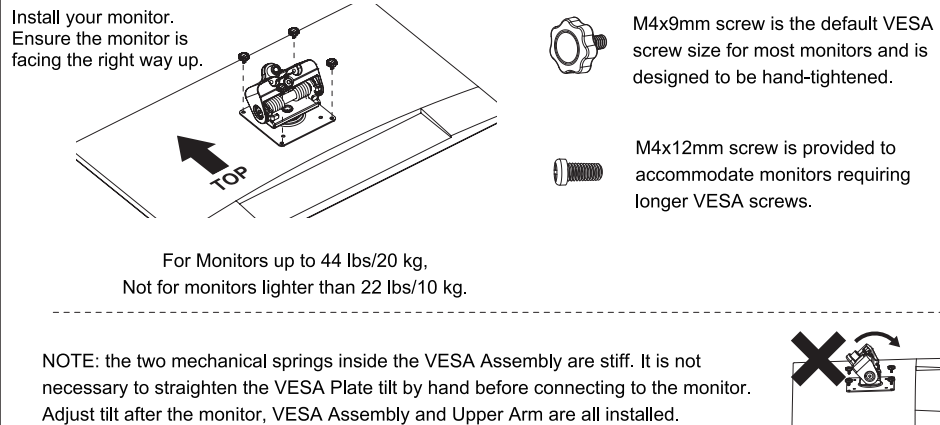
### 2b Grommet Installation



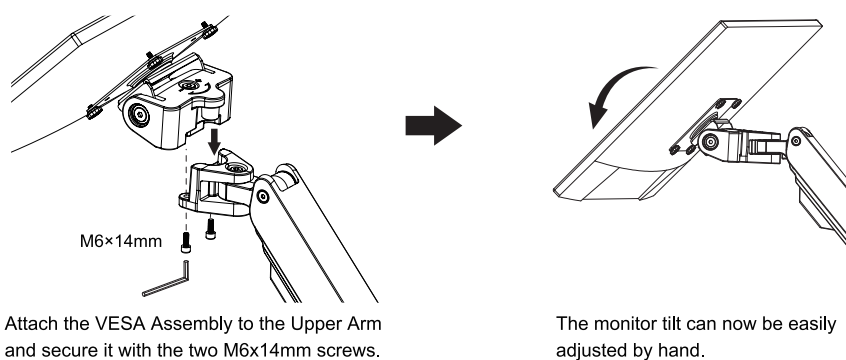
### 3 Arm Installation



### 4 Monitor Installation



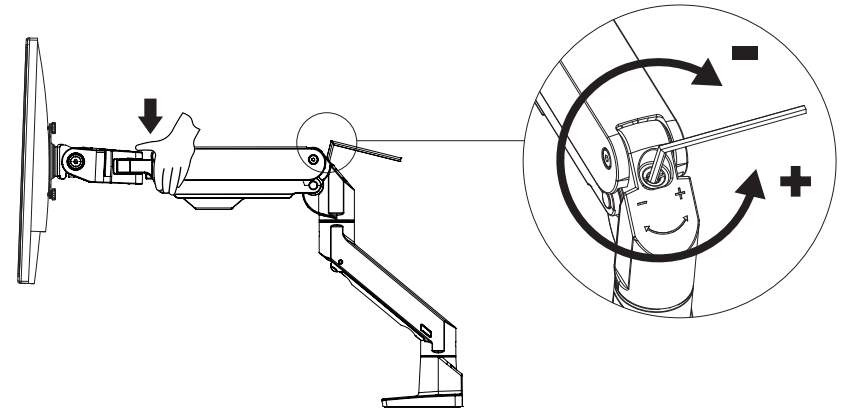
### 5 VESA Assembly Installation



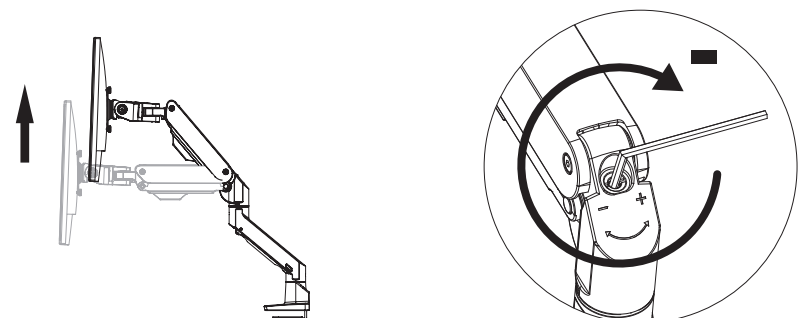
### 6 Adjust Arm Tension

a. To avoid any damage and facilitate easy adjustment, hold the arm in a horizontal position during tension adjustment.

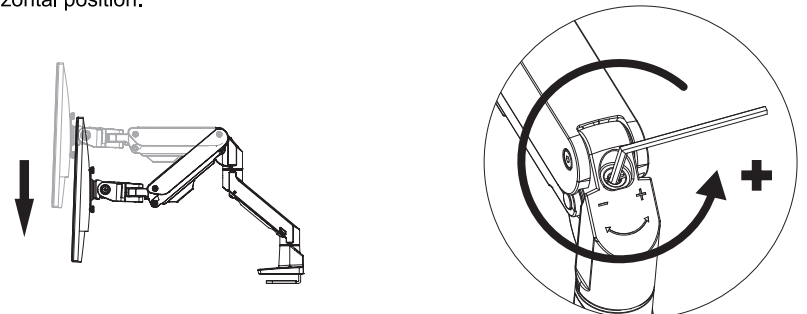
By using the Allen Wrench you can adjust the gas spring tension in the Upper Arm. Adjust the screw **counter-clockwise (+)** to increase gas spring tension. Adjust the screw **clockwise (-)** to decrease gas spring tension.



b. If the arm rises, turn the adjustment screw **clockwise (-)** until it stays in a horizontal position.



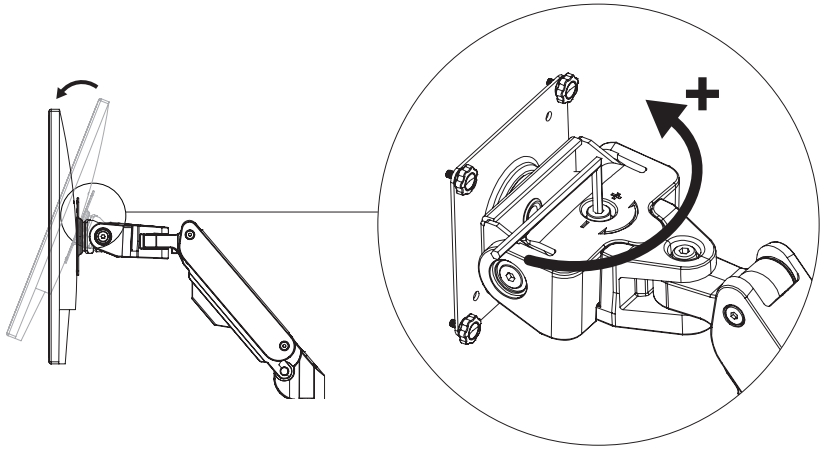
c. If the arm drops, turn the adjustment screw **counter-clockwise (+)** until it stays in a horizontal position.



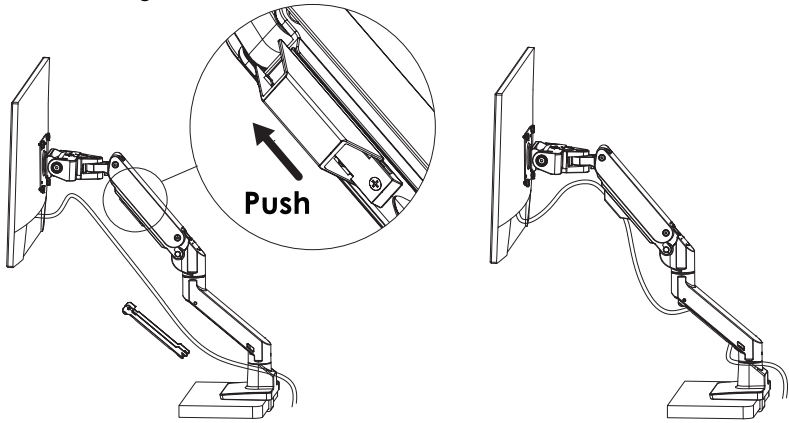
## 7 Monitor Tilt Adjustment

For extremely heavy monitors, if the monitor tilt does not stop at the desired angle, please turn the top tension screw **counter-clockwise (+)** using the Allen Wrench so that the tilt tension increases to hold the monitor tilt at the desired angle.

It is suggested to adjust the top tension screw by up to 5 full rotations first.



## 8 Cable Management

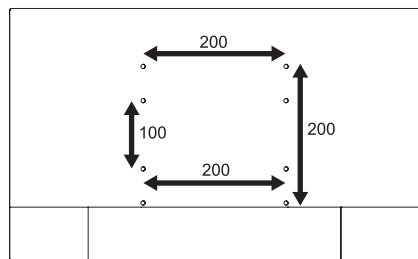


Upper Arm Cable Cover: remove by pushing cover in direction of the arrow (some extra force may be needed).

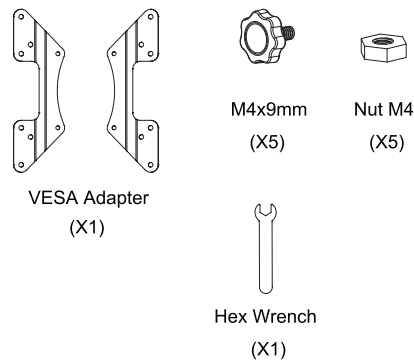
Lower Arm Cable Cover: pinch and squeeze protruding flaps of the cover, then gently remove.

## 10 Optional Installation – VESA Mounting For 200x100 / 200x200 Monitor

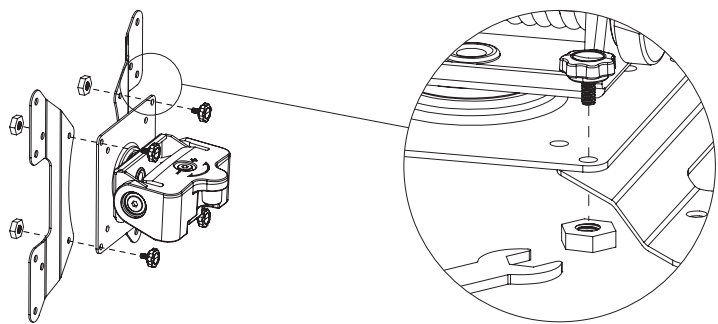
The 200x200 VESA Adapter is used for a monitor with either 200x100 or 200x200 VESA mounting patterns.



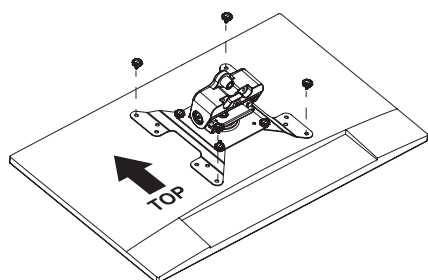
### Parts List



a. Setup VESA Assembly and 200x200 VESA adapter.



b. Install your monitor. Ensure the monitor is facing the right way up.

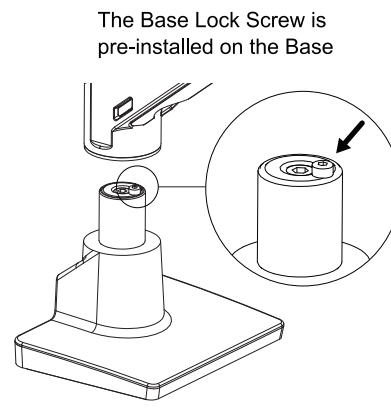


M4x9mm screw is the default VESA screw size for most monitors and is designed to be hand-tightened.

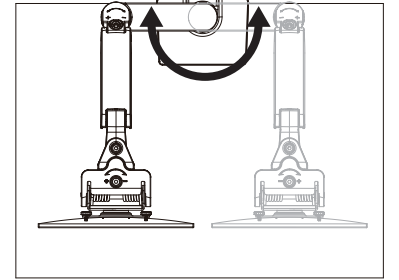
M4x12mm screw is provided to accommodate monitors requiring longer VESA screws.

## 9 Optional Installation – Lower Arm Rotation Lock

The Lower Arm rotation lock is used to prevent the monitor arm from swinging into office divider, screen or wall.



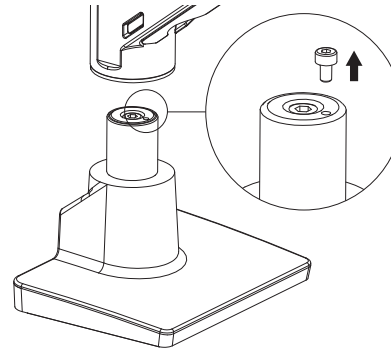
180°



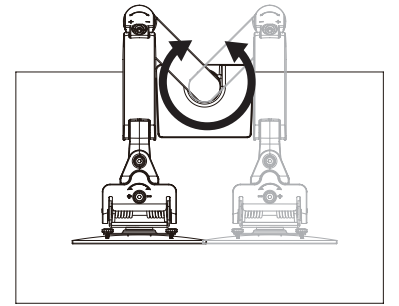
Lower Arm can rotate 180°.

**CAUTION:** To avoid tipping, **DO NOT** position the monitor past the back of the desk.

Remove the Base Lock Screw



360°



Lower Arm can rotate 360°.

① **Q: The monitor slowly swivels to one side after installation.**

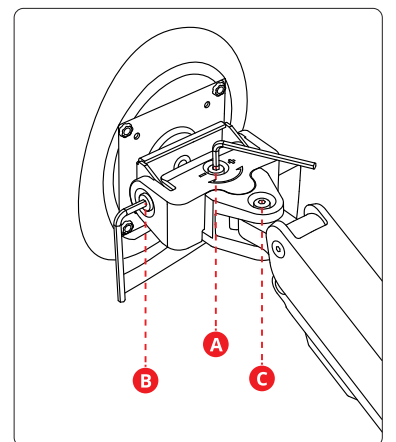
A: Tighten screw C with the Allen Wrench included in the screw pack.

② **Q: The monitor tilts down and won't hold.**

A: Screw A is used to adjust the tilt tension of the VESA assembly.

Turn screw A **counter-clockwise (+)** to increase tilt tension to support monitor tilt.

If the monitor still tilts, tighten screw B to further increase tilt tension to support monitor tilt.

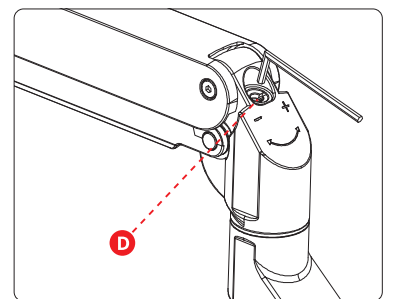


③ **Q: My monitor arm started to droop after I installed the monitor on my monitor arm.**

A: Screw D is used to adjust the gas spring tension of the Upper Arm.

Turn **counter-clockwise (+)** to increase tension for heavier monitors. And **clockwise (-)** to reduce tension for lighter monitors.

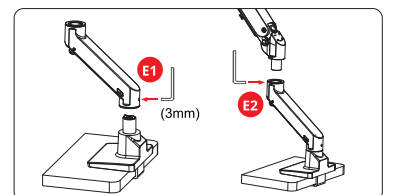
If your monitor arm cannot be lowered or springs up after pressing down, the gas spring tension is too high and needs to be lowered.



④ **Q: My arm rotation is too tight and I can't rotate well.**

A: Try loosen screws E1 and E2.

Lubricating oil may be further applied to the joints to help ease the rotation.



⑤ **Q: My Desk is too thick, the clamp cannot fit my desk.**

A: Our clamp only supports desk thickness between 0.79-2.36" (20-60mm).

If there is a problem that does not appear in this guide, or if it cannot be solved through consulting the installation manual, please contact us directly via [Http://www.sii.com/support](http://www.sii.com/support)