



MAG Series

PC Case

MAG PANO M100R PZ

MAG PANO M100R PZ WHITE

User Guide

Contents

| | |
|---------------------------------|----|
| Specifications..... | 3 |
| Accessories..... | 5 |
| Case Features..... | 6 |
| Side and Front View..... | 7 |
| I/O and Buttons..... | 8 |
| Side Panel Removal..... | 9 |
| Front Bezel Removal..... | 10 |
| Top Panel Removal..... | 11 |
| Motherboard Installation..... | 12 |
| Graphics Card Installation..... | 13 |
| SSD Installation..... | 14 |
| PSU Installation..... | 15 |
| Top Panel I/O Connection..... | 16 |
| Control Board Connection..... | 17 |
| General Information..... | 19 |

Specifications

Basic Information

| | |
|-----------------------------|---|
| Case Type | Mid Tower |
| Dimensions (DxWxH) | 440 x 235 x 405 mm |
| Supported Motherboard Sizes | Micro-ATX*, Mini-ITX * Supports Micro-ATX back-connect motherboard |

Cooling Fan Support

| | |
|------------|--|
| Top | 3 x 120mm or 2 x 140mm |
| Front | No |
| Rear | 1 x 120mm or 1 x 140mm (Pre-installed 1 x 120mm ARGB fan) |
| Side | 3 x 120mm (Pre-installed 3 x 120mm ARGB fans) |
| Bottom | 1 x 120mm |
| PSU Shroud | 2 x 120mm |

Expansion Slots

| | |
|------------|---------|
| PCIe Slots | 5 slots |
|------------|---------|

Drive Bays

| | |
|-----------------|---------------------------------|
| 2.5" SSD | 1 |
| 3.5" HDD | 1 |
| Combo 3.5"/2.5" | 2 x 2.5" or 1 x 2.5" + 1 x 3.5" |

I/O Ports and Buttons

| | |
|--------------------|---|
| USB Ports | 1 x USB 3.2 Gen1 Type-A 1 x USB 3.2 Gen 2x2 Type-C |
| Audio Ports | 1 x Audio/Microphone combo jack |
| Buttons | 1 x Power button 1 x LED switch button |












Chassis Clearances

| | |
|----------------------------------|--------------------|
| Maximum CPU Cooler Height | 175 mm |
| Maximum GPU Length | 390 mm |
| Top Radiator Support | 120 / 240 / 360 mm |
| Rear Radiator Support | 120 / 140 mm |
| PSU Support | 200mm |

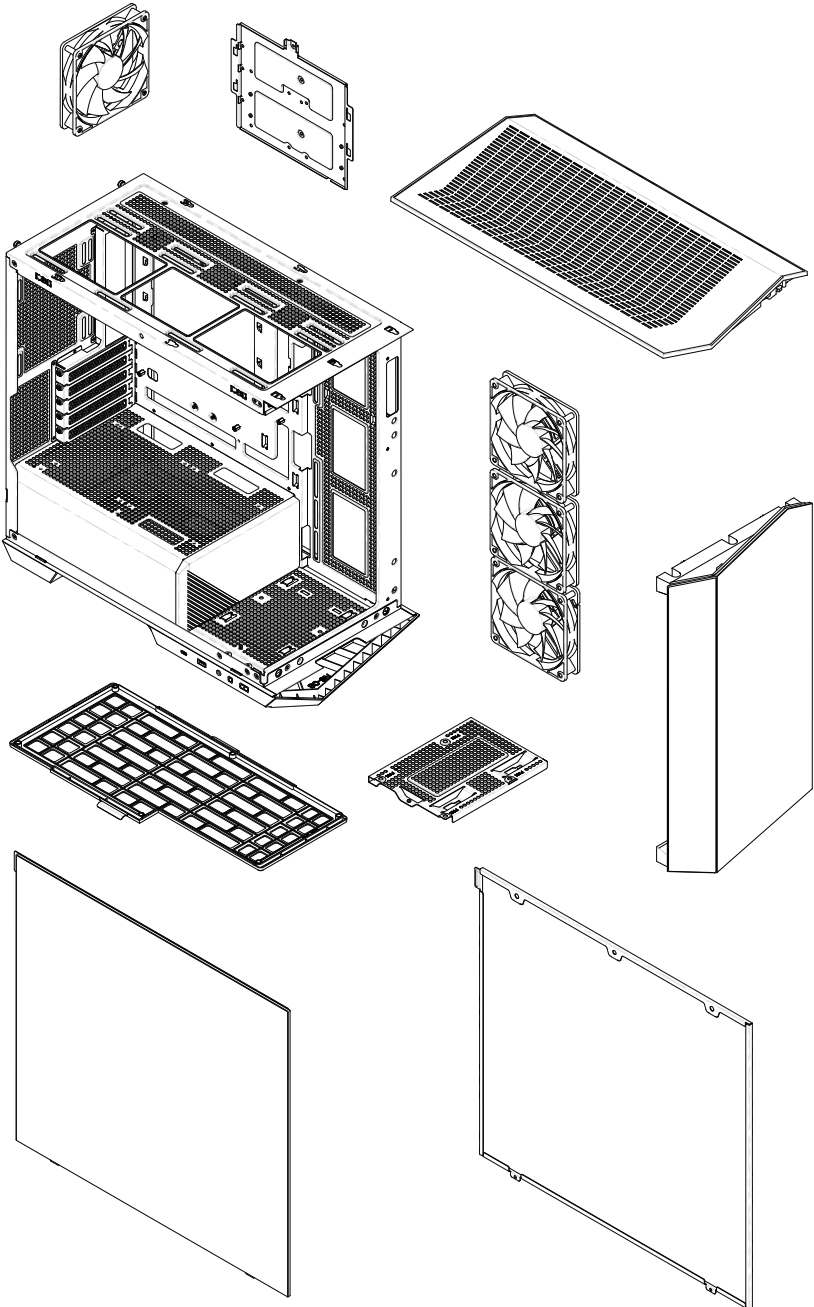
Materials

| | |
|-----------------------------|--|
| Metal Specification | SPCC 0.7 mm |
| Front Bezel Material | 4mm tempered glass |
| Left Side Panel | 4mm tempered glass |
| Top Bezel | Internal plastic structure enclosed in metal |
| Dust Filter | Top: Plastic filter Bottom: Plastic, magnetic frame |
| GPU holder | Aluminum |

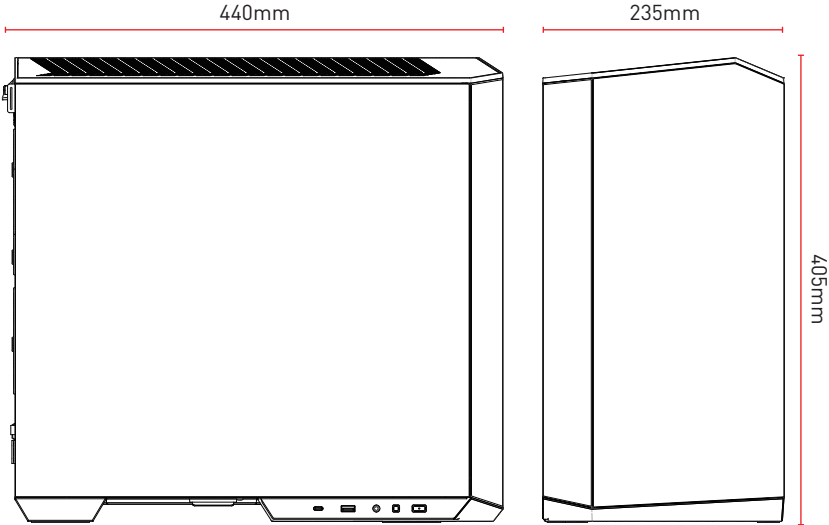
Accessories

| Item | Name / Q'ty | Used for |
|---|-------------------------------|---------------------------------|
|  | Cable ties x5 | Cable management |
|  | Screw M3 5mm x20 | Motherboard / SSD |
|  | Screw #6-32 5mm x8 | 3.5" HDD |
|  | Screw #6-32 6mm x6 | Securing PSU / PCIe Card |
|  | Stand-off #6-32 6.5mm x4 | Motherboard Stud |
|  | Screw #6-32 30mm x8 | Securing fans on the PSU shroud |
|  | Stand-off Mounting Tool x1 | Securing stand-off |
|  | Spare U Clip x2 | Securing side panel |
|  | GPU Holder x1 | Reinforcing the graphics card |
|  | Spirit level x1 | Adjusting the horizontal of GPU |
|  | Hook-and-loop fastener x2 | Cable management |

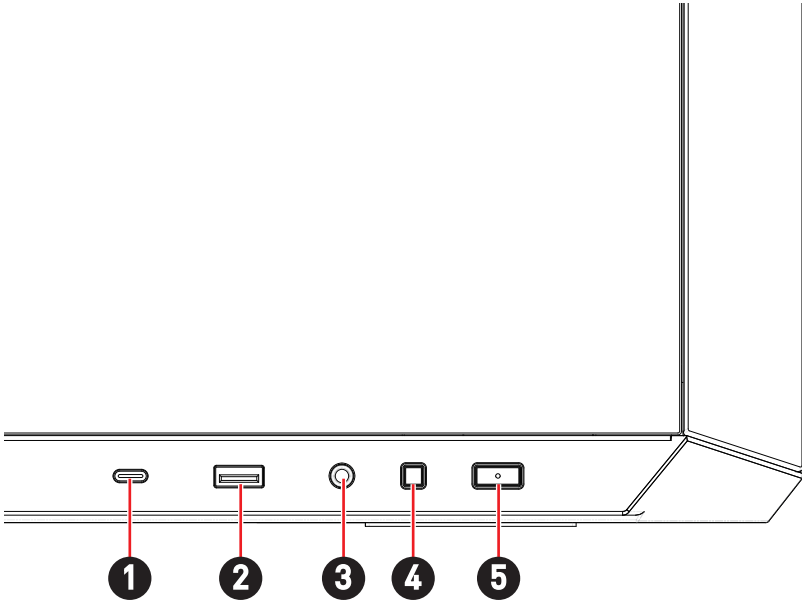
Case Features



Side and Front View

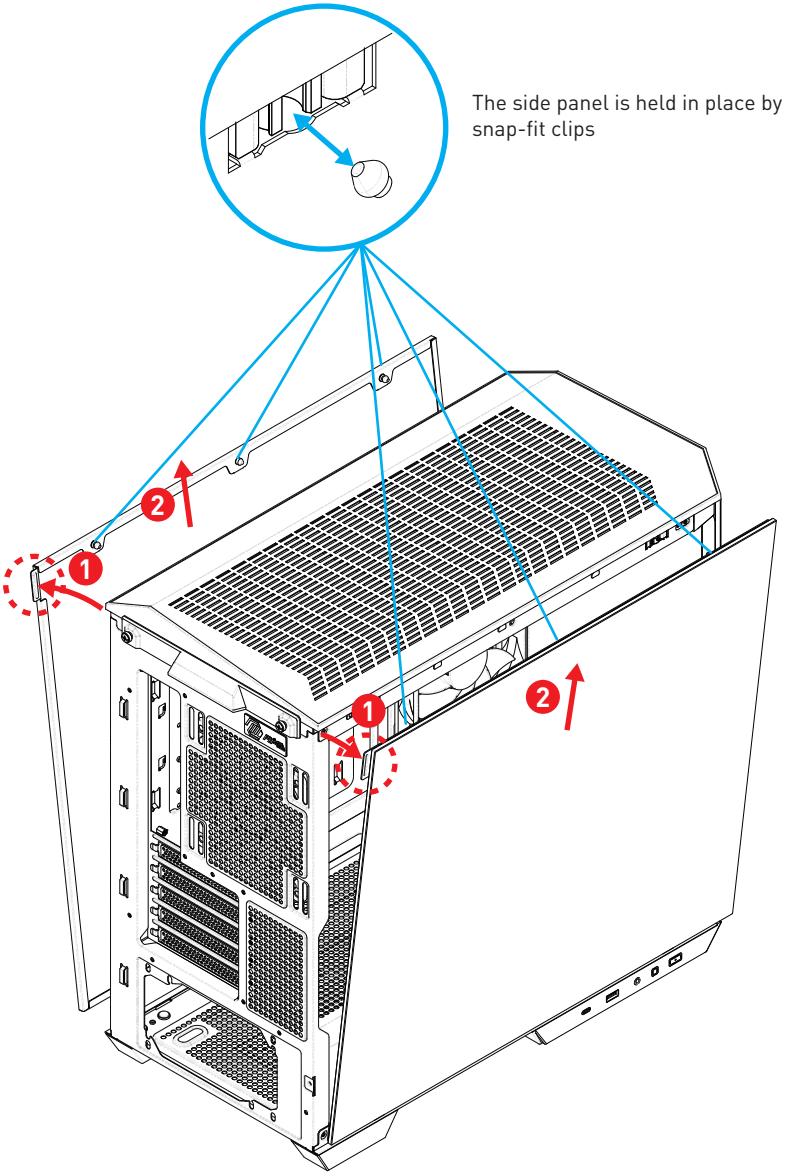


I/O and Buttons



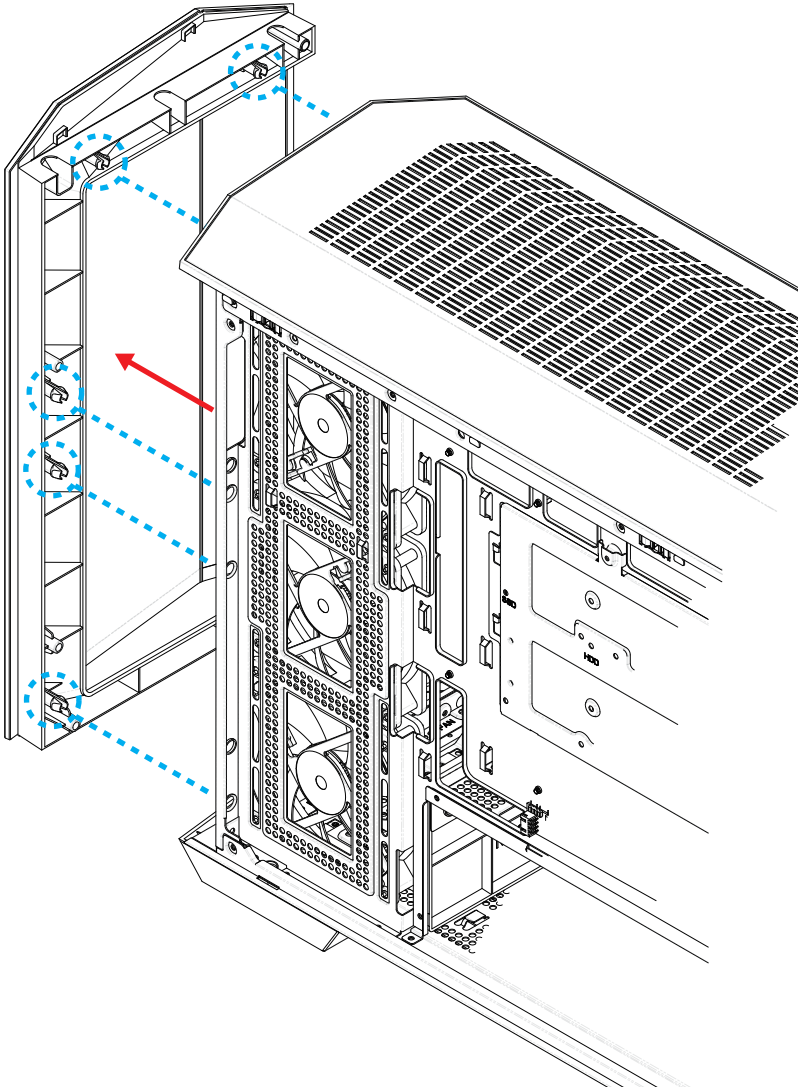
| Item | Description |
|------|-------------------------------|
| 1 | USB 3.2 Gen 2 2x2 Type-C port |
| 2 | USB 3.2 Gen 1 Type-A port |
| 3 | Audio/Microphone combo jack |
| 4 | LED switch button |
| 5 | Power button |

Side Panel Removal

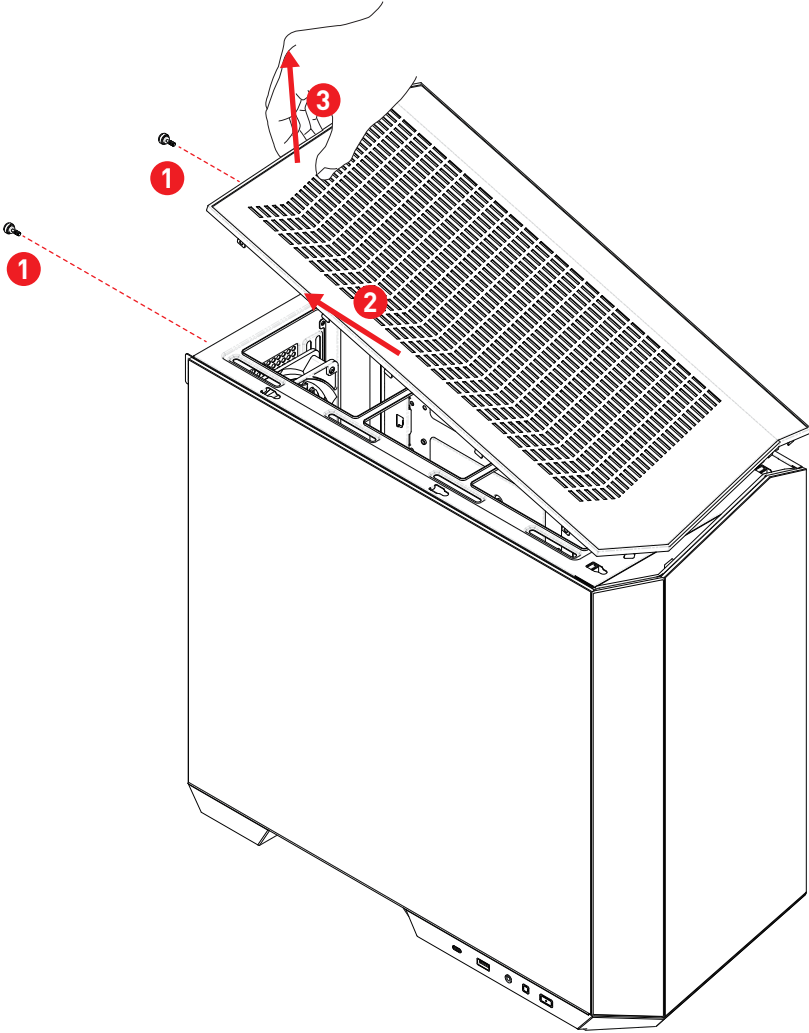


Front Bezel Removal

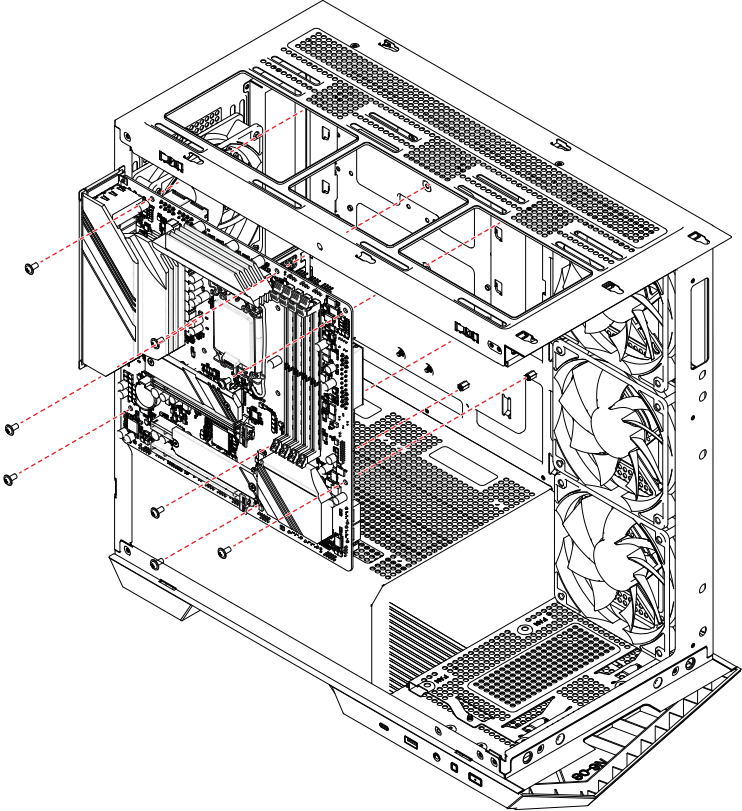
Before removing the front bezel, please remove the side panels on both sides and gently pull out the front panel with your hand.



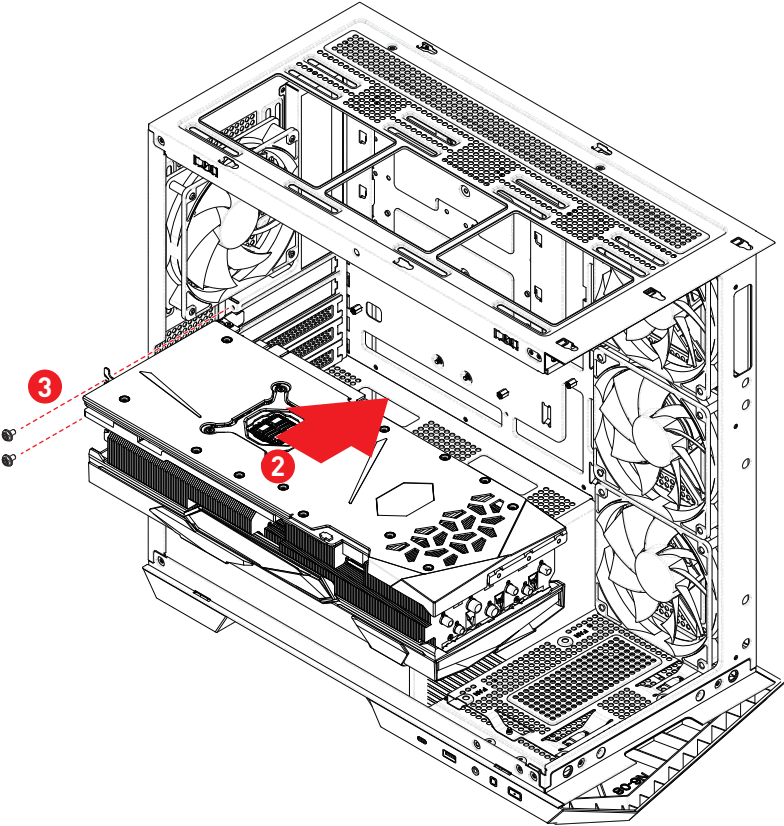
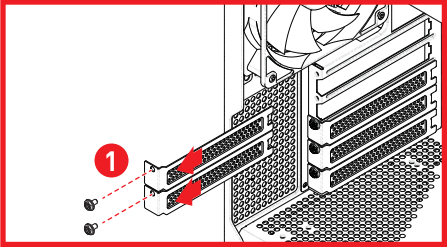
Top Panel Removal



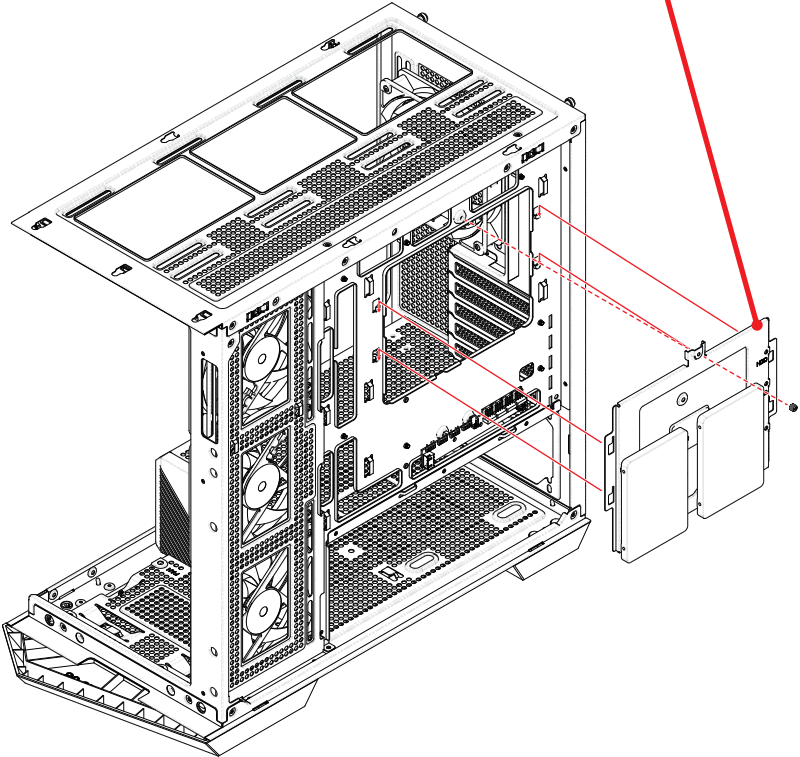
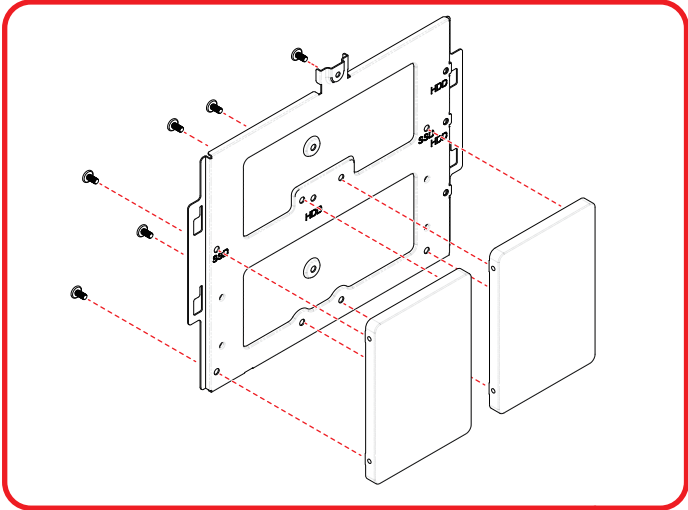
Motherboard Installation



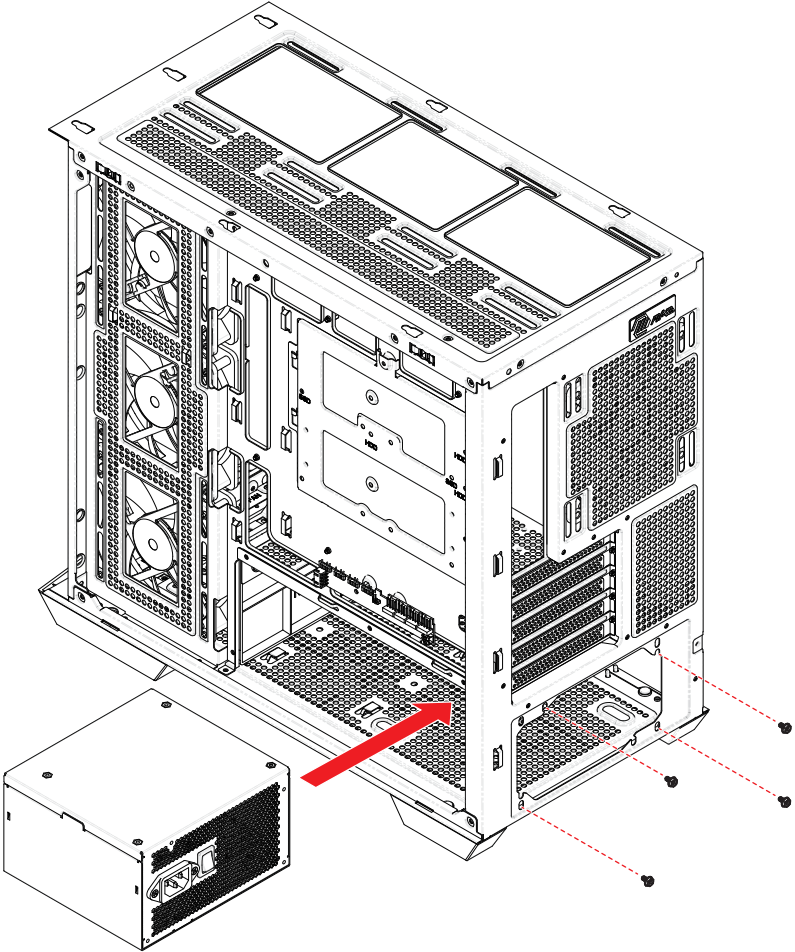
Graphics Card Installation



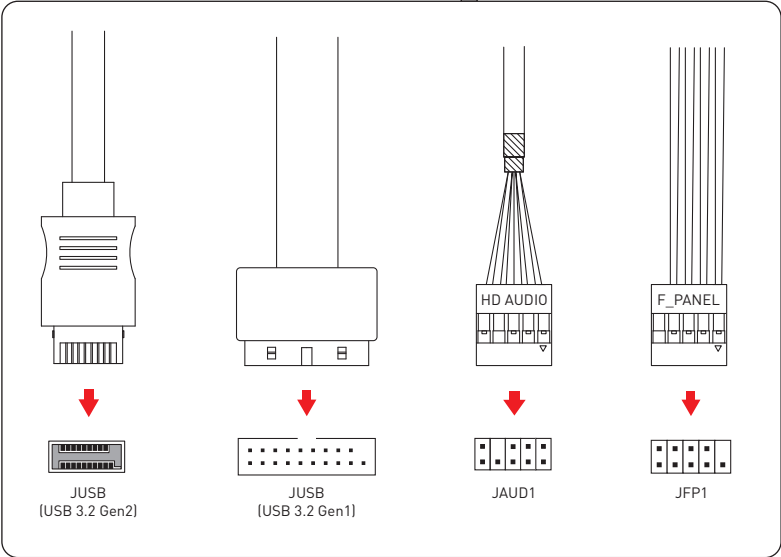
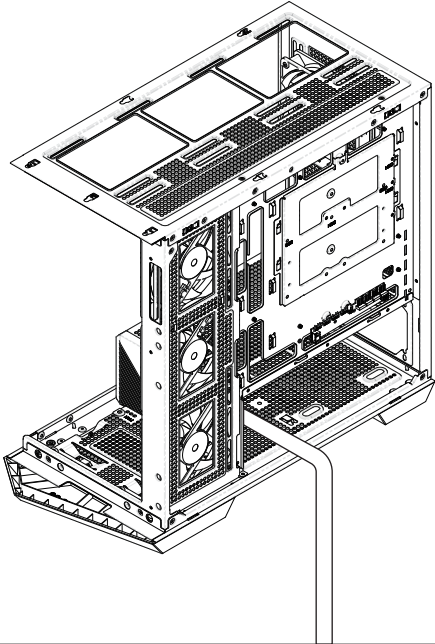
SSD Installation



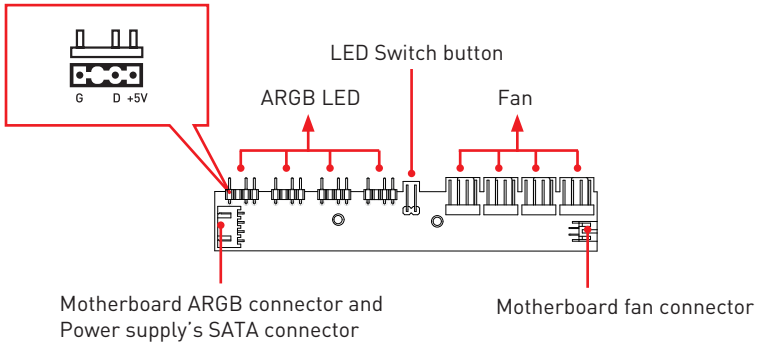
PSU Installation



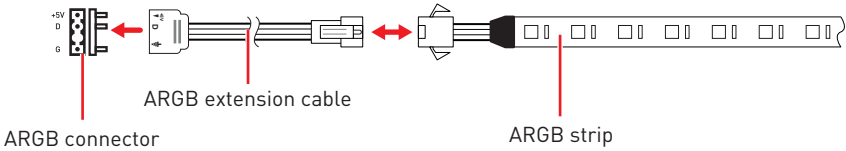
Top Panel I/O Connection



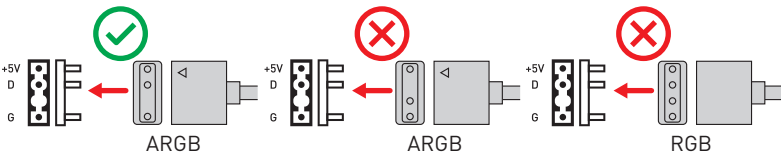
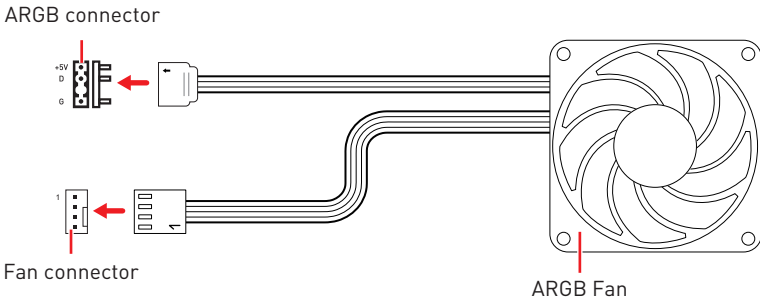
Control Board Connection



Addressable RGB LED Strip Connection



Addressable RGB LED Fan Connection



IMPORTANT

- Please always turn off the power supply and unplug the power cord from the power outlet before installing or removing the ARGB LED Strip/Fan.
- Supports a maximum of 80 LEDs. Exceeding this limit may result in overheating, abnormal colors, or malfunctions.
- Please ensure all cables are securely connected before powering on.

LED Switch Button Function

- Single press to toggle between LED effects.
- Long press for three seconds to sync with the motherboard.
- Long press for six seconds to turn off the lights. The lights will flash four times. To turn the lights back on, press the button once.

LED Effect Sequence

After pressing the LED Switch button, the LED effect sequence is as follows:

| | |
|----|-------------------|
| 1 | Rainbow |
| 2 | Rainbow trail |
| 3 | Rainbow gradient |
| 4 | Purple |
| 5 | White |
| 6 | Blue |
| 7 | Cyan |
| 8 | Green |
| 9 | Yellow |
| 10 | Red |
| 11 | Rainbow breathing |
| 12 | Red breathing |
| 13 | Yellow breathing |

| | |
|----|------------------|
| 14 | Green breathing |
| 15 | Cyan breathing |
| 16 | Blue breathing |
| 17 | White breathing |
| 18 | Purple breathing |
| 19 | Static rainbow |
| 20 | Red |
| 21 | Yellow |
| 22 | Green |
| 23 | Cyan |
| 24 | Blue |
| 25 | White |
| 26 | Purple |

General Information

Copyright and Trademarks Notice

msi **MSI** **微星** **微星科技**

MICRO-STAR INTERNATIONAL



Copyright © Micro-Star Int'l Co., Ltd. All rights reserved.

The MSI logo used is a registered trademark of Micro-Star Int'l Co., Ltd. All other marks and names mentioned may be trademarks of their respective owners. No warranty as to accuracy or completeness is expressed or implied. MSI reserves the right to make changes to this document without prior notice.

All text, images, illustrations, and other content in this manual are the property of MSI. No part of this manual may be reproduced, distributed, or used in any form without the written permission of MSI.

Revision History

- Version 1.0, 2024/01, First release.

