

40in CrystalPro UWQHD IPS
3440x1440, 144Hz, MPRT 1ms

P/N **44394**
User's Manual

Table of Contents

Notices.....	3
Product Introduction.....	4
Installation.....	5
Usage.....	10
Cable Connection.....	11
OSD Menu.....	12
Basic Parameters.....	15

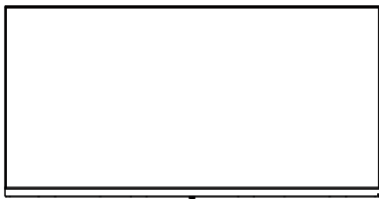
Notices

Please read the User Manual carefully and keep it well for future reference.

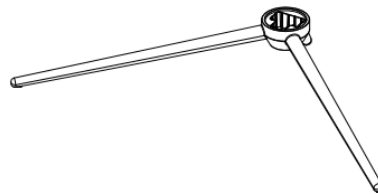
- Keep the monitor away from water sources or damp places, such as bathrooms, kitchens, basements, or swimming pools.
- Make sure the monitor is placed on a flat surface to prevent human injury or device damage.
- Store and use the monitor in a cool, dry, and well-ventilated place. Keep it away from emissions and heat sources.
- Do not cover or block the vent hole in the rear casing, and do not use the product on a bed, sofa, blanket, or similar objects.
- Consult the distributor or the local power company if the range of the supply voltage of the monitor printed on the label of the rear casing is impossible to read.
- Cut off the power if the monitor is not in use for a long period to avoid electric shock and damage due to abnormal supply voltage during rainy days.
- Do not overload the socket to prevent fire or electric shock.
- Do not put foreign matters into the monitor to prevent short circuits resulting in fire or electric shock.
- Avoid disassembling or repairing the product by yourself to avoid electric shock. Contact the after-sales service directly.
- Do not pull or twist the power cable forcedly.
- Do not peel off the polarizing layer (not a protective film) on the surface of the screen to prevent invalidating the warranty due to damage.

Product Introduction

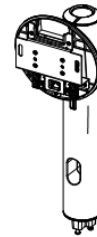
- Please check that the package of the monitor contains all parts. Contact the customer service team if there are missing parts.
- The color and shape of parts may vary with models. Figures in this User Manual are for reference only.
- Wires supplied may vary with purchased products. Figures in this User Manual are for reference only.



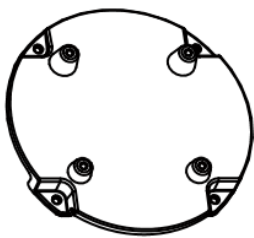
Monitor



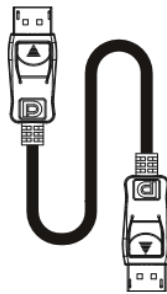
Base



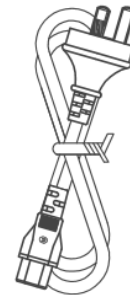
Stand Stem



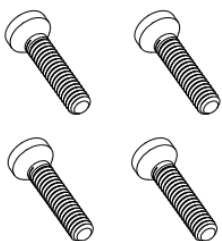
Mount Cover



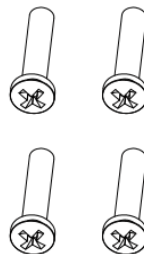
DisplayPort Cable



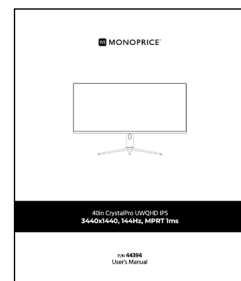
Power Cable



Screws PM5*15 x4
(For stand installation)



Screws PM4*16 x4
(For wall-mounting)



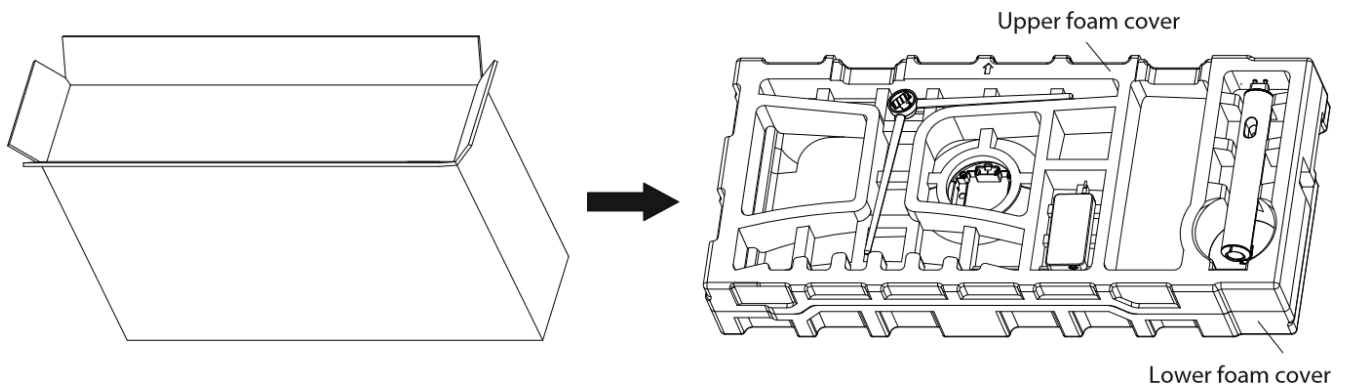
User Manual

Extra screws can be used as spare parts.

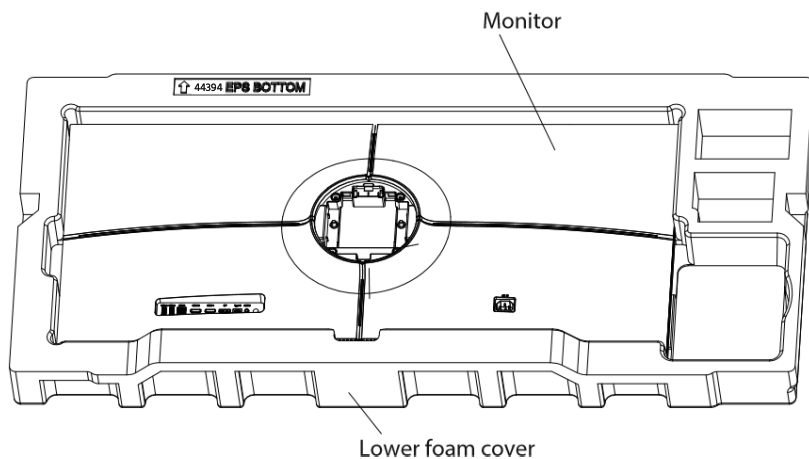
Installation

Installation of the Base

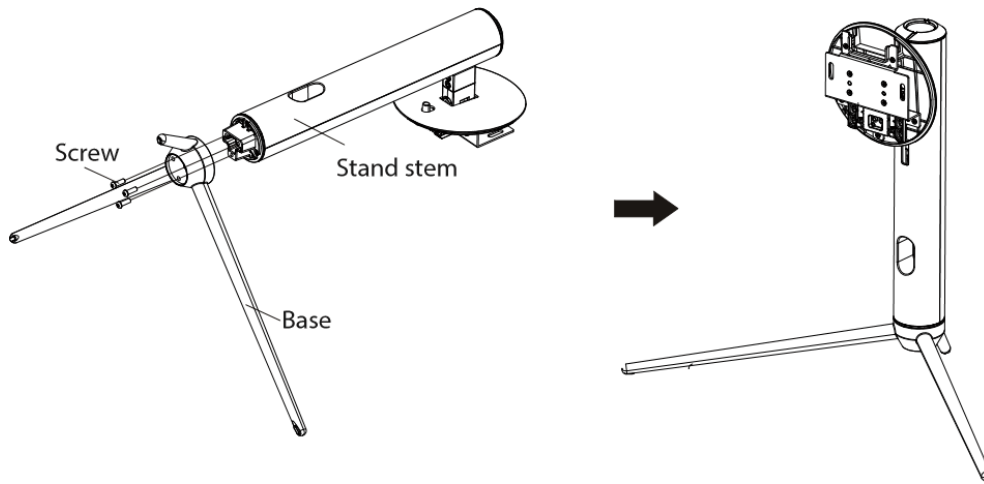
1. Open the package to take out foams and put them on a flat surface or table.



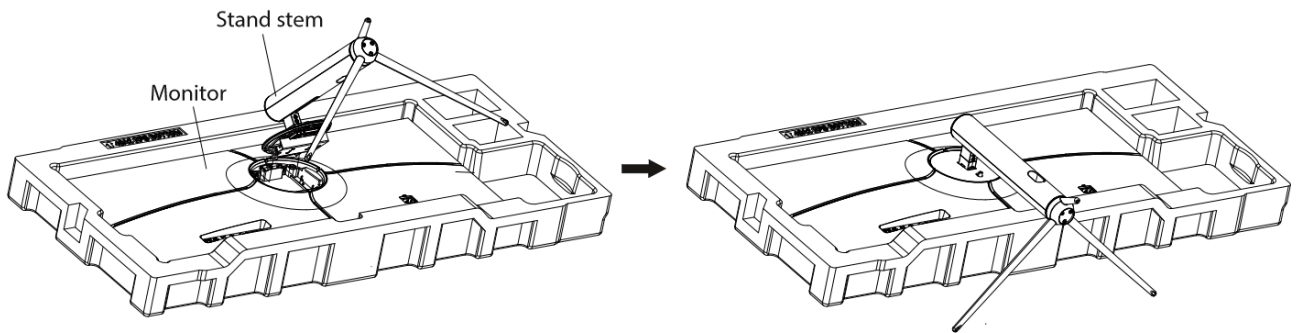
2. Remove the upper foam cover and put it aside, take out the monitor film bag and put the monitor in the lower foam cover.



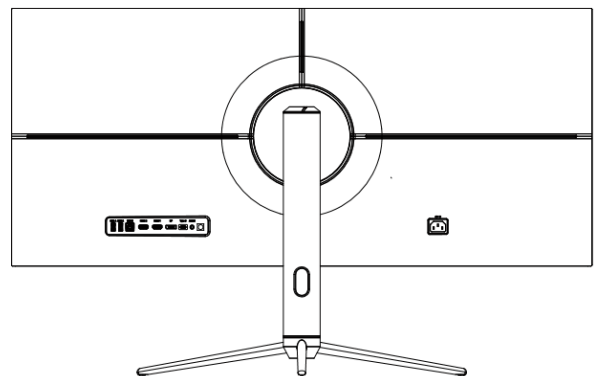
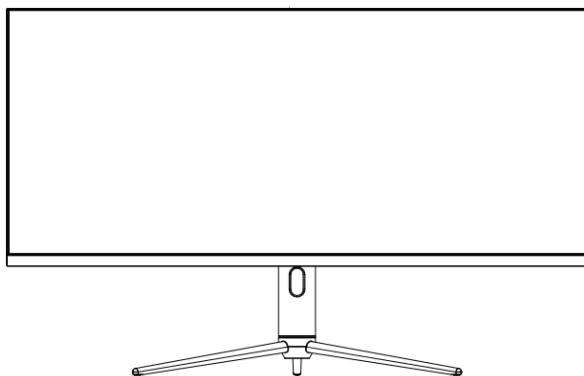
3. Take out the stand and the base and tighten them with 3 screws (see the figure below).



- Align the base and stand components assembled in Step 3 to the slot of the machine and clip them. (Note: Slide the quick disassembly button up with fingers to take out the base and stand components)



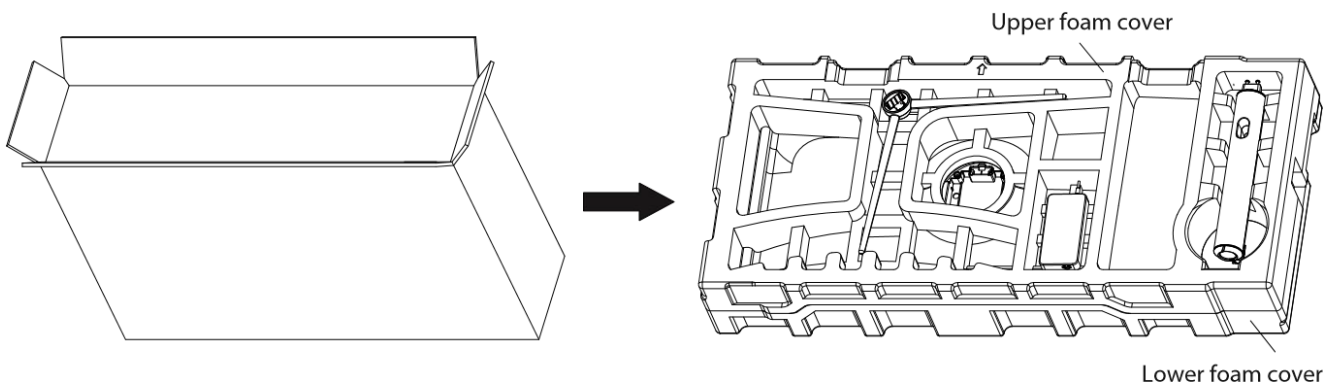
- Simply hold the stand with hand to stand the monitor upright.



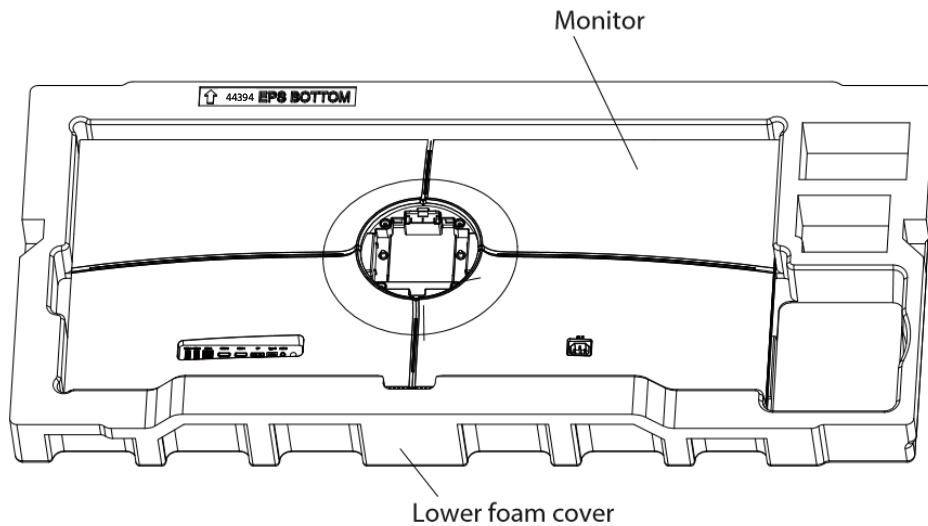
Note: During the standing of the whole monitor, do not press the liquid crystal screen with your hand to avoid screen damage

Installation of the Mount

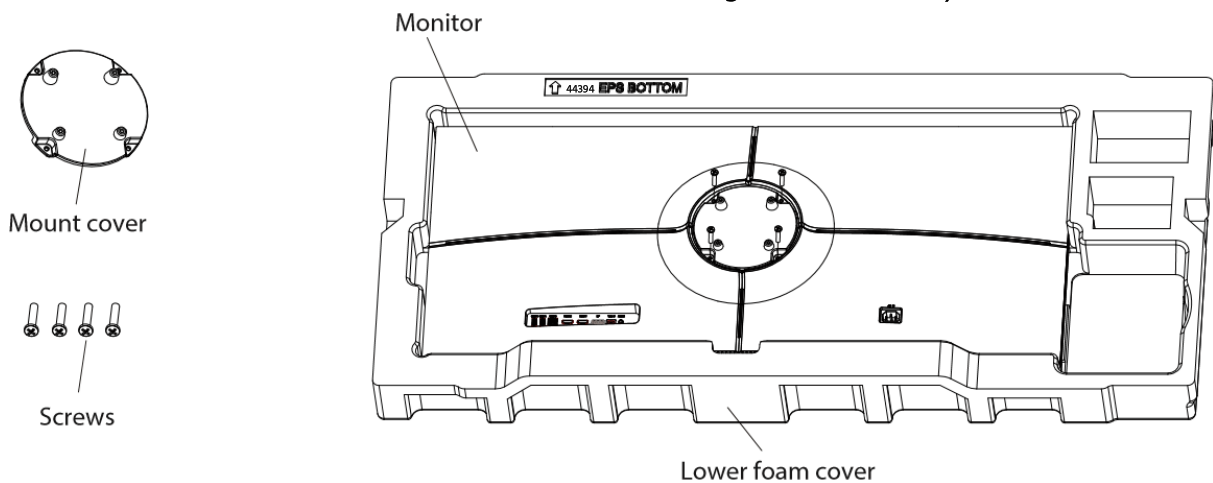
1. Open the package to take out foams and put on a flat surface or tabletop.



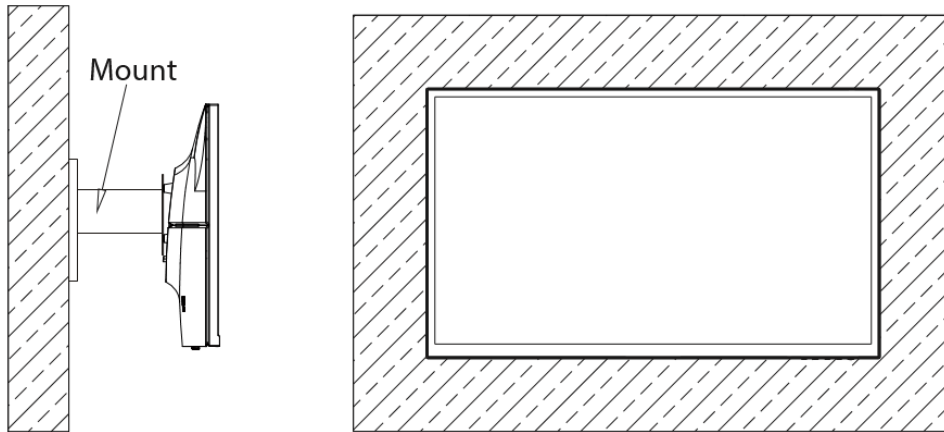
2. Remove the upper foam cover and put it aside, take out the monitor film bag, and put the monitor in the lower foam cover.




3. Take out the mount adapter from the bubble bag, take out four screws from the accessory bag and lock the mount adapter to the rear casing with the screws. (Do not take the screen out from the foam to avoid damage to the screen)

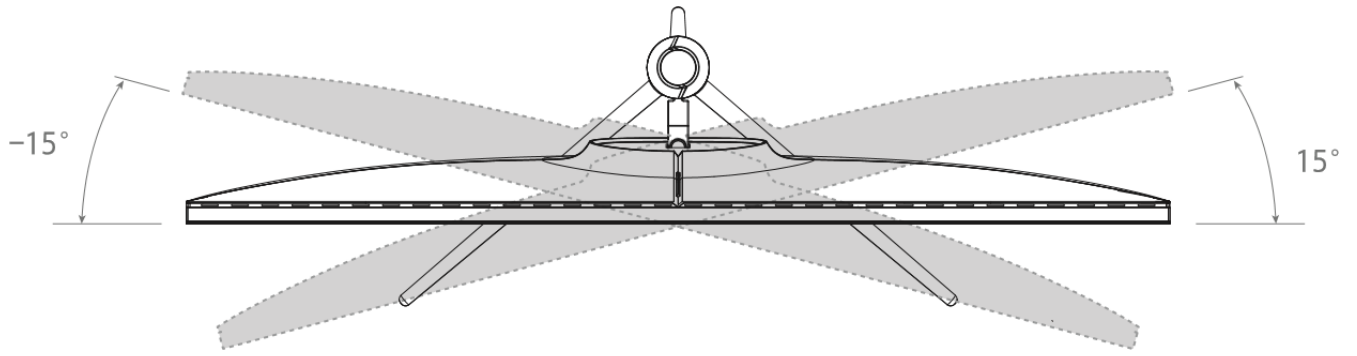


4. During the hanging of the product, do not pinch the screen with your hands to avoid screen damage. Tips: The mounting hole distance of the mount for the product is 75x75mm.

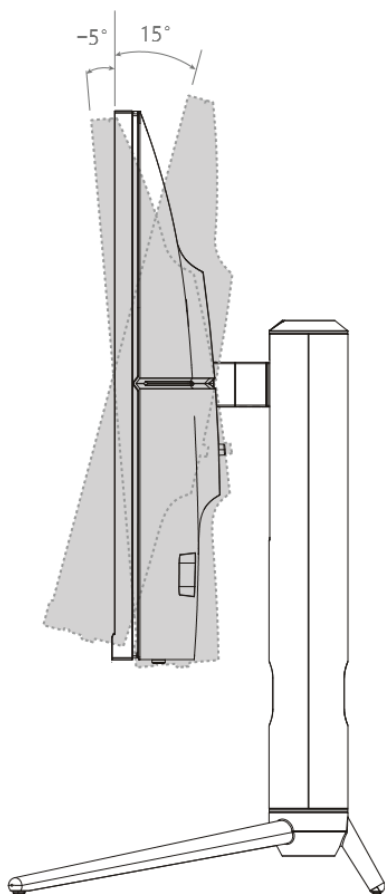


 **Note:** To prevent the monitor from falling from the mount, please install it firmly, and protect it fully. Do not place or hang any object on the mount, and the using height of the mount should be less than 2 meters.

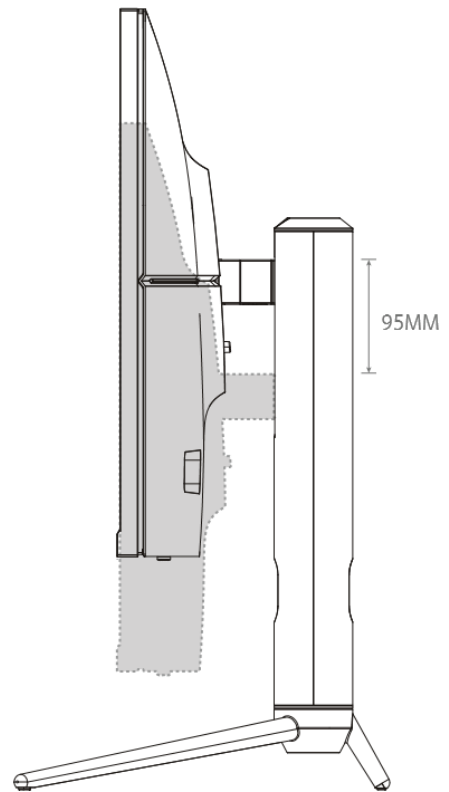
Adjusting the Monitor



Rotation angle
 $-15^\circ(\pm 2.0^\circ) - +15^\circ(\pm 2.0^\circ)$



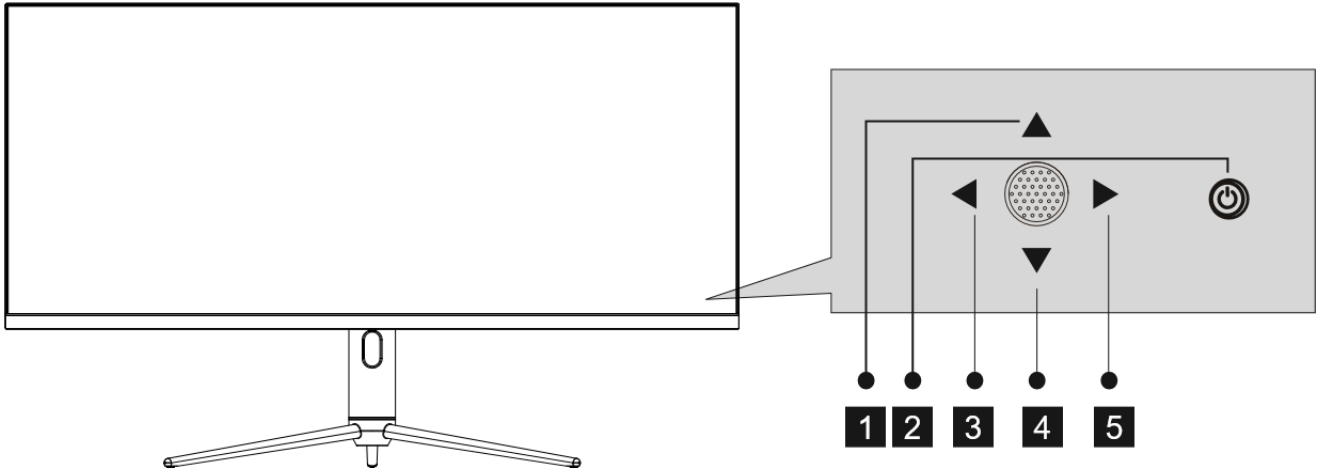
Tilting angle
 $-5.0^\circ(\pm 2.0^\circ) - +15^\circ(\pm 2.0^\circ)$



Height angle
0-95mm(± 5.0 mm)

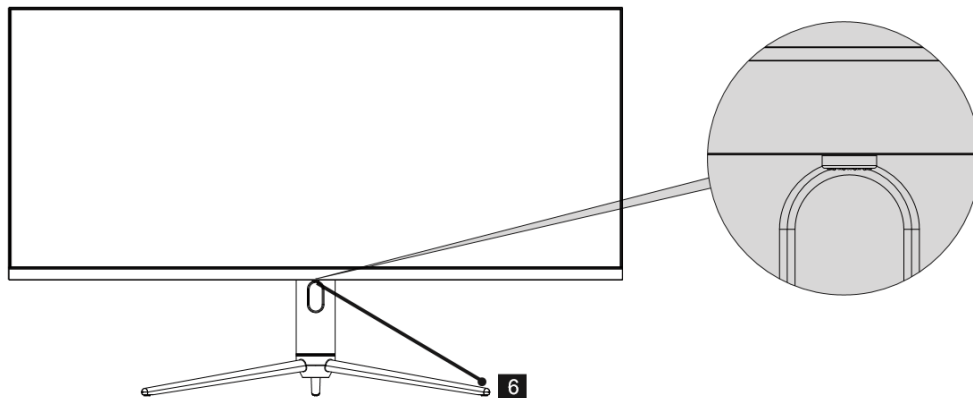
Usage

Description of each button:



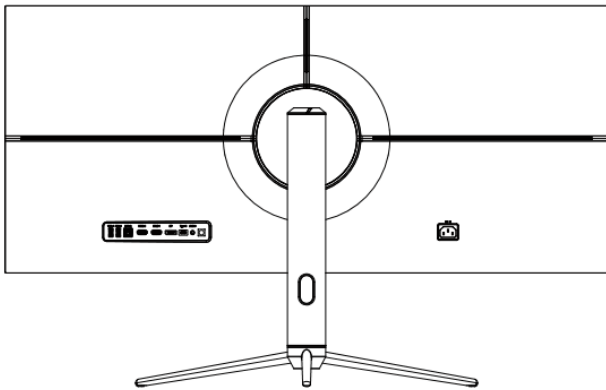
Button	Function
1	Up rocker button: Quickly enter the contextual mode.
2	Rocker switch button: Press to turn on/off the monitor.
3	Left rocker button: Select the input source
4	Down rocker button: The rocker is used to quickly enter the Game Crosshair menu.
5	Right rocker button: Press to enter sub-menus/ quickly enter the main menu.

Explanation of Indicators



6	Steady blue light indicates the power is on and the monitor runs normally. Red light indicates either no video source and no horizontal or vertical signal detected or low voltage. Please make sure that your computer is turned on and that all video cables are fully plugged in and/or connected.
---	---

Cable Connection



The bottom interface configuration at the back of the monitor varies with products.

Note: If the power cable or signal cable is damaged, you must replace it with special soft cables or special components purchased from the manufacturer or maintenance department.

HDMI Interface	
<p>Use the HDMI cable to connect the HDMI IN interface of the product to the HDMI OUT interface of a PC.</p>	<p>Use the HDMI-DVI cable to connect the HDMI IN interface of the product to the DVI OUT interface of a PC. (In general, PCs do not transfer video signals to the monitor through the DVI OUT interface, and it is necessary to connect a loudspeaker box additionally to play the sounds of PCs.)</p>
<p>DP Interface</p> <p>Use the DP cable to connect the DP IN interface of the product to the DP OUT interface of a PC.</p>	<p>AUDIO OUT</p> <p>Connect audio outputting devices such as earphones to the AUDIO OUT interface.</p>
<p>Type-C Interface</p> <p>A Type-C line can be used to connect to data ports of machines and external terminals.</p>	<p>AC Interface</p> <p>Please connect the power cable plug to the corresponding port of the monitor, and connect the other end to a properly grounded power outlet.</p>

OSD Menu

Menu Description

- The color and shape of the OSD menu of the actual computer may slightly differ from the provided figure.
- Specifications of the OSD menu may change with improvements of functions without prior notice.

Press the menu button on the control panel to access the monitor menu. The detailed information on each menu can be found in the following sections.

1. Rocker key (Right) to enter the OSD main menu or enter sub-menus.



2. Rocker key (Up) to enter the Contextual Model or move up in the menu.
3. Rocker key (Down) to enter the GamePlus Switching or move down in the menu.
4. Rocker key (Left) to enter the Input Signal or exit the current screen.

The functions of the monitor may vary with models, and the functions in this manual are for reference only.

Game Settings	Standard Mode	Off/On	
	RTS/RPG Mode	Off/On	
	FPS Arena Mode	Off/On	
	MOBA Arena Mode	Off/On	
	Adaptive-Sync	Off/On	
	Shadow Balance	0-100	
	Response Time	Off/Normal/Fast/Ultrafast	
	Refresh Rate	Off/On/Position: Top Right, Top Left, Bottom Right, Bottom Left	
	Game Crosshair	Off/Crosshair 1/Crosshair 2/Crosshair 3/Crosshair 4/Crosshair 5/Crosshair 6	
	Game Time	Off/15:00/30:00/45:00/60:00/ Position: Top Right, Top Left, Bottom Right, Bottom Left	
	Dynamic Brightness	Off/Normal/Expert/Elaboration	
	HDR	Off/HDR Standard/HDR Movie/HDR RTS/RPG/HDR FPS	
	MPRT	Off/On	
	Ambient Lighting	Led Bar	Color
Strength			Highlight/Standard/Soft
Mode			Normal/Breathe/Flicker/Plain Water/Star/ Colorful Pearls/Colorful Water
Front Color			Red/Green/Blue/Yellow/Purple/Cyan
Rear Color			Red/Green/Blue/Yellow/Purple/Cyan
Physical Super View	Off/On/Position:Top Right, Top Left, Bottom Right, Bottom Left, Center		
Picture Settings	Brightness	0-100	
	Contrast	0-100	

	DCR	Off/On
	Contextual Model	Off/Movie Mode/Reading Mode/Night Mode/Care Eyes Mode
	Low Blue Light	0-100
	Sharpness	0-100
	Gamma	1.8/2.0/2.2/2.4/2.6/S.curve
	Aspect Ratio	Wide Screen/4:3/1:1/Auto
Color Settings	Warm	Off/On
	Cool	Off/On
	User1	Off/On:0-100(R/G/B)
	User2	Off/On:0-100(R/G/B)
	User3	Off/On:0-100(R/G/B)
	Hue	0-100(R/G/B/C/M/Y)
	Saturation	0-100(R/G/B/C/M/Y)
PIP/PBP	PIP/PBP Mode	Off/PIP Mode/PBP 2Win 1:1/PBP 2Win 2:1/PBP 2Win 1:2
	Input Source	TYPE-C/DP/HDMI1/HDMI2
	Audio Source	Auto/TYPE-C/DP/HDMI1/HDMI2
	PIP Position	Top Right/Top Left/Bottom Right/Bottom Left
	PIP Size	Small/Medium/Large
	Window Swap	

Basic Parameters

Product Name		40" CrystalPro UWQHD IPS 144Hz
Part Number		44394
Screen Size		40inches (101.6cm)
		21:9
		≥178°(H) / ≥178°(V)
Pixel pitch		0.08975(H) ×0.26925(V) mm
Contrast ratio		1200:1 (TYP)
Colors		16.7M
Resolution		3440x1440
Maximum refresh rate		144Hz
Power Input		AC 100-240V~ 50/60Hz 3.0A
Product Dimensions	Without base	944.1x418.3x82.4mm approx. 8.78kg
	With base	944.1x596.4x286.8mm approx. 10.98kg
Tilting angle		Forward tilting: 5° ± 2°; Backward tilting: 15° ± 2°
Height range		95±5mm
Rotation angle		15° (±2°)
Vertical angle		N/A
Environmental conditions	Action	Temperature: 0°C~ 40°C (32°F ~ 104°F) Humidity: 10%~90% RH (non-condensing)
	Storage	Temperature: -20°~ 60° (-4°F ~ 140°F) Humidity: 5%~95% RH (non-condensing)



HDMI, HDMI High-Definition Multimedia Interface, and the HDMI logo are registered trademarks of HDMI Licensing Administrator, Inc. in the United States and other countries.

Monoprice™ and all Monoprice logos are trademarks of Monoprice Inc.

CUSTOMER SERVICE

The Monoprice Customer Service department is dedicated to ensuring that your ordering, purchasing, and delivery experience is second to none. If you have any problems with your order, please give us an opportunity to make it right. You can contact a Monoprice Customer Service representative through the Live Chat link on our website www.monoprice.com or via email at support@monoprice.com. Check the website for support times and links.

TECHNICAL SUPPORT

Monoprice™ is pleased to provide free, live, online technical support to assist you with any questions you may have about installation, setup, troubleshooting, or product recommendations. If you ever need assistance with your new product, please come online to talk to one of our friendly and knowledgeable Tech Support Associates. Technical support is available through the online chat button on our website www.monoprice.com or through email by sending a message to tech@monoprice.com. Check the website for support times and links.

To download the latest drivers, firmware, manuals, etc., go to www.monoprice.com and type **44394** into the search bar. If available, support files are linked at the bottom of the product page.

REGULATORY COMPLIANCE

Notice for FCC



This device complies with Part 15 of the FCC rules. Operation is subject to the following two conditions: (1) this device may not cause harmful interference, and (2) this device must accept any interference received, including interference that may cause undesired operation.

Modifying the equipment without Monoprice's authorization may result in the equipment no longer complying with FCC requirements for Class B digital devices. In that event, your right to use the equipment may be limited by FCC regulations, and you may be required to correct any interference to radio or television communications at your own expense.

This equipment has been tested and found to comply with the limits for a Class B digital device, pursuant to Part 15 of the FCC Rules. These limits are designed to provide reasonable protection against harmful interference in a residential installation. This equipment generates, uses and can radiate radio frequency energy and, if not installed and used in accordance with the instructions, may cause harmful interference to radio communications. However, there is no guarantee that interference will not occur in a particular installation. If this equipment does cause harmful interference to radio or television reception, which can be determined by turning the equipment off and on, the user is encouraged to try to correct the interference by one or more of the following measures:

- Reorient or relocate the receiving antenna.
- Increase the separation between the equipment and receiver.
- Connect the equipment into an outlet on a circuit different from that to which the receiver is connected.
- Consult the dealer or an experienced radio/TV technician for help.

Notice for ISED Canada

This Class B digital apparatus complies with Canadian ICES-003.

Cet appareil numérique de la classe B est conforme à la norme NMB-003 du Canada.



TECHNOLOGY AT PRICES THAT MAKE SENSE

www.monoprice.com

Monoprice, Inc.

1 Pointe Drive, Suite 400
Brea, CA 92821 – USA
www.monoprice.com

Need Help? We're here for you!

Contact us: www.monoprice.com/contactus

Product pictures are for reference only.

Specifications described herein are subject to change without prior notification.

Monoprice™ and all Monoprice logos are trademarks of Monoprice Inc.

Copyright © 2023 Monoprice, Inc. All rights reserved.