

Rack PDU G4 Series

Installation and Setup Manual



p/n: P-164001156
Revision 1

Eaton reserves the right to change specifications without prior notice. Eaton is a registered trademark of Eaton. All other trademarks are properties of their respective companies. All other trademarks are property of their respective companies.

©Copyright 2022 Eaton, Raleigh, NC, USA. All rights reserved. No part of this document may be reproduced in any way without the express written approval of Eaton.

Table of Contents

1 Introduction	1
1.1 Description	1
1.2 Product Specifications	2
1.3 Eaton Rack PDU Models	2
1.4 Circuit Protection	3
1.5 Power Outlets	4
1.6 Input Power Cord	5
1.7 Accessories	5
2 Installation	7
2.1 Safety Warnings	7
2.2 Installation	8
2.3 Installation Precautions	8
2.4 Inspecting the Equipment	8
2.5 Package Contents	9
2.6 Optional Environmental Monitoring Probe	10
2.7 Installation Overview	10
2.8 Tools	11
2.9 Configurations	11
2.10 Power Feed Labels	11
2.11 Installation and Mounting Buttons	12
2.11.1 Installing Vertical Rack PDUs in a Rack Cabinet	12
2.11.2 Using Factory-installed Mounting Buttons	13
2.11.3 Using Flush-style Mounting Buttons	13
2.11.4 Grounding the Rack to the Rack PDU	14
2.12 Quick Start for Universal Input Rack PDU	15
2.13 Connecting the Output Devices	20
3 Service	21
3.1 Service and Support	21
3.2 Warranty	21

Table of Contents

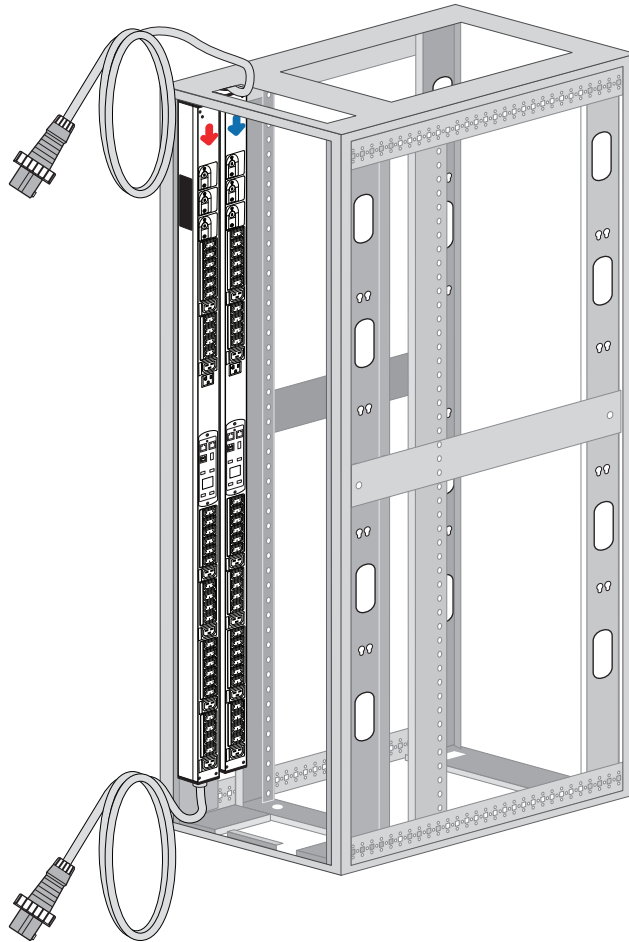
Chapter 1 Introduction

1.1 Description

The Eaton® Enclosure Power Distribution Unit (Rack PDU®) G4 is an intelligent Rack PDU that is designed to distribute power within a standard 19-inch rack. A wide range of models let you connect and manage a variety of outlets from a single power connection. Most models have monitoring or switching capabilities, or both.

[Figure 1](#) and show examples of installed G4 Eaton Rack PDUs.

Figure 1. Example Rack PDU G4 Installations



The Rack PDU G4 family provides six different Rack PDU topologies. The monitoring or switching capabilities are characterized as follows:

- Basic (BA) with no monitoring or intelligent controls
- In-Line Metered (IL) with monitoring at the input
- Metered Input (MI) with monitoring at the input and branch
- Metered Outlet (MO) with monitoring at the input, branch, and individual outlet monitoring, but no outlet control
- Switched (SW) with control of outlets but no individual outlet monitoring
- Managed (MA) with monitoring at the input, branch, and individual outlet control and monitoring



NOTE

These capabilities are expressed in the model numbers of the Rack PDUs.

[Table 1](#) shows which main features are implemented or not implemented, depending on the topology:

Table 1. Monitoring and Management Features Available for Rack PDU Topologies

Models	Input Metering	Branch Metering	Outlet Metering	Outlet Switching	Environmental Sensor Monitoring
Basic (BA)	—	—	—	—	—
In-Line Metered (IL)	•	—	—	—	•
Metered Input (MI)	•	•	—	—	•
Metered Outlet (MO)	•	•	•	—	•
Switched (SW)	•	•	—	•	•
Managed (MA)	•	•	•	•	•

NOTE Environmental sensor monitoring is only available if an Environmental Monitoring Probe (EMP) is attached.

1.2 Product Specifications

Find product specifications, diagrams, part number and ordering matrix documents, and marketing collateral at eaton.com/G4RackPDU.

1.3 Eaton Rack PDU Models

The Rack PDU models support single-phase and three-phase applications and have 8 to 54 outlets. Network-connected models feature an LCD display and LEDs to indicate status on communication connectors. Metered Outlet, Switched, and Managed models contain LEDs to indicate outlet status. Most Rack PDUs have attached power cords and circuit breakers (see [Figure 2](#)).



NOTE

Select models have detachable input power cords.

Figure 2. Example Rack PDU G4 Products



1.4 Circuit Protection

Circuit breakers activate if the load current rating of an outlet section exceeds 16A (Europe) / 20A (US). Power to the outlet turns off automatically. To reset the circuit breaker, turn the breaker from Off to On.

NOTE 1 The On/Off positions are indicated on the circuit breakers.

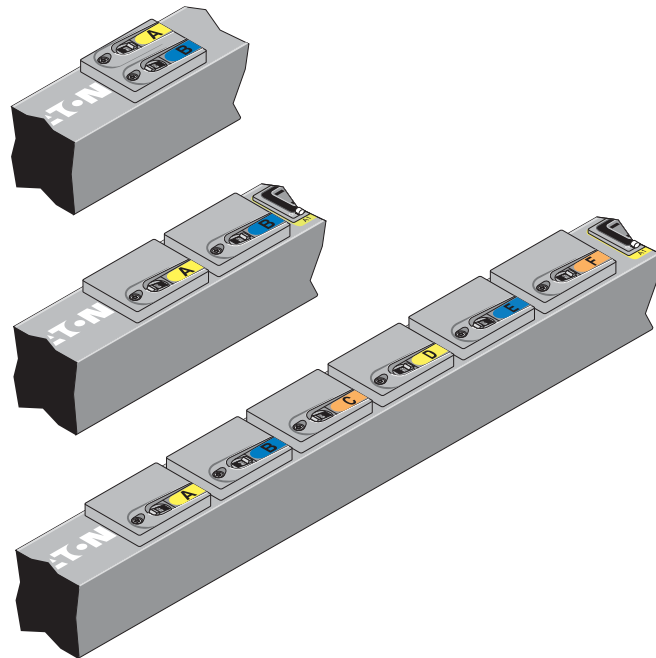


NOTE 2 To manually disconnect power to a device that is connected to the Rack PDU, disconnect the device power cord from the Rack PDU outlet.

NOTE 3 To disconnect power on models without a circuit breaker, disconnect the Rack PDU input power cord.

[Figure 3](#) shows circuit protection device examples.

Figure 3. Circuit Protection Devices



1.5 Power Outlets

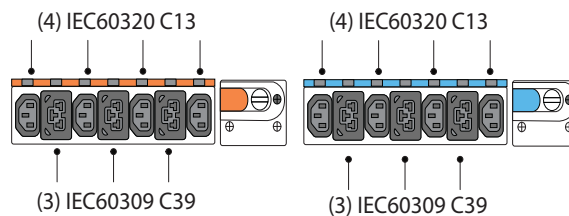
Each model has a specific configuration of standard NEMA outlets, IEC 60320 and IEC 60309 outlets, EMEA national types (French, Schuko, and UK), or other outlet types. Many configurations are available or the configurations can be customized to match your needs.

The outlets are grouped in sets called sections. Outlet sections are preset groups of individual outlets that you can identify and monitor through the different interfaces that are available with the Rack PDU.

The outlets are color-coded and labeled. If the model has circuit breakers, the circuit breakers that are associated with the outlets have corresponding labels (see [Figure 4](#)).

You can connect one device to each outlet.

Figure 4. Example Outlet Types

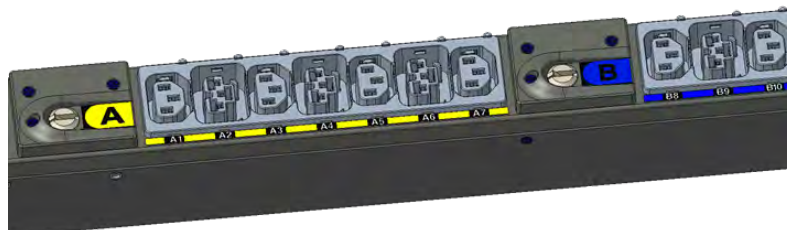


Eaton C39 with High Retention

Many Rack PDU G4 models have both IEC 60320 C13 outlets, as well as a proprietary Eaton C39 combination outlet. This C39 outlet is a combination of C13 and C19 outlet styles, and it is designed to accept both C14 and C20 plugs.

PDUs with these outlets are also designed to have native high-retention, which makes it more difficult for the plug to be removed. When removal of a plug is necessary, wiggle it from side to side while pulling on it.

Figure 5. C39 High Retention Outlet Option



1.6 Input Power Cord

Use the input power cords to connect to the power source. Input power cords are permanent for most models. Select models have detachable input power cords.

1.7 Accessories

Environmental Monitoring Probe

The Environmental Monitoring Probe (EMP) accessory is optional and must be purchased separately. The optional EMP provides monitoring of external temperature, humidity, and the status of two contact devices, providing greater power management control and flexible monitoring. The EMP has the following features:

- Simplified installation lets you install the EMP safely without turning off power to the Rack PDU or to the devices that are connected to it.
- The EMP monitors temperature and humidity information of any environment, protecting your critical equipment. The EMP measures temperatures between 0°C and 70°C (32°F and 158°F) with an accuracy of $\pm 2^\circ\text{C}$. The EMP measures relative humidity between 10% and 90% with an accuracy of $\pm 5\%$.
- The EMP can be located away from the Rack PDU with a Category 5 network cable up to 50m (165 ft) long.
- The EMP monitors the status of two user-supplied contact devices.
- Temperature, humidity, and contact closure status can be displayed through a variety of interfaces.
- User-selectable alarm thresholds let you define acceptable temperature or humidity limits.
- You can use e-mail client software to set up e-mail notification through Simple Network Management Protocol (SNMP) when acceptable alarm limits are exceeded or contact status changes.
- Changes in external contact status are logged in the Rack PDU event history log.
- When temperature and humidity values exceed user-selectable limits, the event is logged in the Rack PDU event history log.



NOTE

For information updates, refer to the Eaton Rack PDU catalog or go to eaton.com/G4RackPDU.

Chapter 2 Installation

2.1 Safety Warnings

Important Safety Instructions — Save These Instructions

This manual contains important instructions that you should follow during installation and operation of the Eaton Rack Power Distribution Unit (PDU) G4 Series. Please read all instructions before operating the equipment and save this manual for future reference. Failure to follow these instructions may result in severe injury or death.

Detailed specifications are available on our Web site at Eaton.com/G4RackPDU.

DANGER — Risk of Electric Shock

This PDU contains hazardous voltages. All repairs and service must be performed by authorized service personnel only. There are no user serviceable parts. Systems should only be installed, tested, and configured by a qualified electrical worker.

This equipment must be connected to an earthed mains socket-outlet, or to an electrical supply that has a protective earthing conductor.

CAUTION — Risk of Fire

- If this PDU has a input power plug:
 - The installation power outlet should be tested for proper polarity and earthing.
 - The installation power outlet used to power this equipment must be installed near the equipment and the plug must be easily accessible.
 - The equipment plug is the disconnect device. Remove the plug from the outlet to isolate the PDU.
 - This product must be protected by a branch circuit protection device with a rating according to the product's plug rating.
- If this PDU is permanently connected:
 - An all-pole disconnect device must be provided in the building installation.
 - To isolate this PDU, turn off the disconnect switch.
 - This product must be protected by a branch circuit protection device with a rating in accordance with the product's input rating.
- This product must be removed from service when there is evidence (e.g., a tripped circuit breaker) that it has been overloaded or that a load electrical fault has occurred. Do not return the product to service until it has been thoroughly evaluated by a qualified electrical worker.

Notice

- To reduce the risk of equipment damage, install this PDU in a temperature and humidity controlled, non-corrosive, indoor environment, that is free of conductive contaminants. Do not operate near water or excessive humidity (95% maximum non-condensing).
- Both the room and rack air temperature must be within the operating range of the selected model.
- Only use supplied PDU mounting hardware and accessories. If necessary, contact your customer service representative for replacement parts.
- This product has been designed to conform to the latest safety requirements. In addition to compliance with standards of general use, it has been factory configured for use in rack mounting environments, aiding the installer in providing system compliance with relevant standards.

2.2 Installation

All 0U Eaton Enclosure Power Distribution Unit (Rack PDU) G4 models are mounted vertically inside rack structures. Use the information in this chapter to prepare, install, and connect the Rack PDU and optional accessories.

2.3 Installation Precautions

Before you install or connect the Rack PDU in a rack cabinet, observe the following precautions:

- Only a competent service person should install, test, or configure the Rack PDU and its optional accessories. It is the installer's responsibility to ensure that the selected product is installed to meet national and local safety regulations.
- Read and understand all warnings and cautions listed in [2.1 Safety Warnings](#).
- Review the documentation that comes with your rack cabinet for safety and cabling information. Follow all installation and operation safety information provided.



NOTE

Removing the rack cabinet doors and side panels might make installation easier. See the rack cabinet documentation for more information.

- Verify that the room and rack air temperature is within the operating range of the selected model.
 - Take all necessary precautions to handle the weight of the devices.
 - Connect all power cords to properly wired and grounded electrical outlets.
-

CAUTION

The installation power outlet used for the power supply to this equipment must be installed near the equipment and must be easily accessible.

- Do not overload the power outlet when you install multiple devices in the rack cabinet.
- To reduce the risk of fire, connect only to a circuit provided with branch circuit overcurrent protection with an A (ampere) rating in accordance with the NEC (National Electrical Code), ANSI/NFPA 70 or your local electrical code.
- Verify that all equipment is unplugged from Rack PDU outlets before performing any testing.
- For units without circuit breakers, the Rack PDU output power cannot be turned on and off with a button or switch. These Rack PDUs are always on when they are plugged in. These Rack PDUs are always off when they are unplugged.
- For units with circuit breakers, the circuit breaker controls whether there is output power:
 - If the circuit breakers are on, there is output power, the LCD display is on, and the network communications module is operational.
 - If the circuit breakers are off, there is no output power, but the LCD display is on, and the network communications module is operational.
 - To turn off the Rack PDU, unplug it.

2.4 Inspecting the Equipment

If any equipment has been damaged during shipment, keep the shipping cartons and packing materials for the carrier or place of purchase, and file a claim for shipping damage. If you discover damage after acceptance, file a claim for concealed damage.

To file a claim for shipping damage or concealed damage: 1) File with the carrier within 15 days of receipt of the equipment; 2) Send a copy of the damage claim within 15 days to your service representative.

Contents vary with each model and region of purchase. To verify contents, refer to the Quick Start Guide supplied with your Rack PDU.

Figure 6. Example Shipping Carton and Contents (as shown on the supplied Quick Start Guide)

2.5 Package Contents

Figure 7. PDU Package Contents



[Table 2](#) lists the accessory parts that are included in the shipping carton with most Rack PDU G4 models. Lists optional parts supplied with certain G4 models that use the G3 communication card.

Table 2. Shipped with the Rack PDU in the Shipping Carton — Replacement SPK045




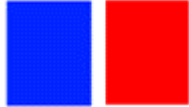



Quantity	Description	
1	<i>Eaton Rack PDU G4 Installation and Connectivity Quick Start</i> Contains details for how to install the Rack PDU	
1	<i>Eaton Rack PDU G4 Safety Guide</i> Contains important safety information	

Table 2. Shipped with the Rack PDU in the Shipping Carton — Replacement SPK045 (Continued)

Quantity	Description	
2	(1) Red and (1) Blue Source Labels These can be applied to the PDU to indicate the power feed	
2	(1) Red and (1) Blue Wrapping Labels These 75x100mm labels can be applied to the PDU powercord to indicate the power feed	
2	Flush Mounting Buttons These double-sided 2mm/3mm buttons allow the PDU to be installed with the least rack interference	
2	M4 x 10mm flathead screws Extra screws for the flush mounting buttons	
1	Ethernet cable, Cat 5e, 150mm length Used either for network cascading between adjacent PDUs or initial PDU configuration	

2.6 Optional Environmental Monitoring Probe

Optional Environmental Monitoring Probe (EMP) equipment with sensors can be connected to the Rack PDU as an accessory. The equipment is customer-supplied and should be installed using the manufacturer’s instruction manual.

 **IMPORTANT**

Follow all installation and operation safety information provided in the manufacturer’s instruction manual for the EMP equipment. Use only supplied accessories.

2.7 Installation Overview

NOTE 1 Power cords for the devices that you connect to the Rack PDU are not included.



NOTE 2 Depending on your choice of installation method, some parts may not be used.

NOTE 3 Use only the supplied screws for installation. Hand tighten the screws. Do not overtighten to avoid stripping the screws.

 **IMPORTANT**

Use great care in handling the Rack PDU during installation. Avoid unnecessary contact between the Rack PDU and the rack.

2.8 Tools

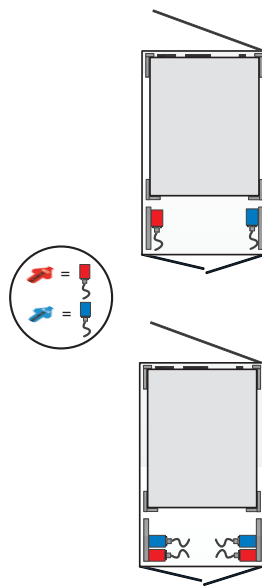
The Rack PDU G4 is designed to be mounted without the use of tools. Mounting buttons are pre-installed on the rear of the PDU at the factory. If you wish to use a different mounting option, such as an adapter bracket or side mounting, tools are not provided, but may be required as follows:

- For vertical installations:
 - Phillips cross-head screwdriver

2.9 Configurations

You can install one or two Rack PDUs vertically on each side of the rack (see [Figure 8](#)).

Figure 8. Vertical Rack PDU Configurations

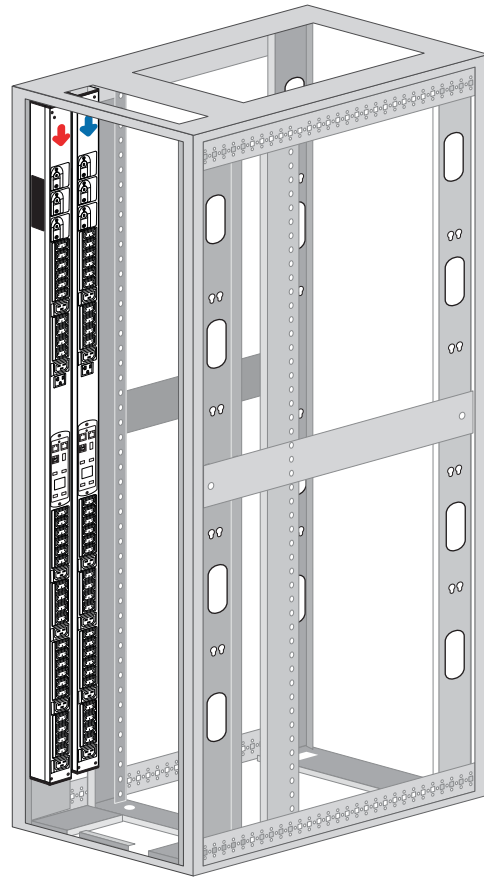


2.10 Power Feed Labels

Adhesive power feed labels (red power feed arrow and blue power feed arrow) are supplied to allow identification of the power flow for up to two individual Rack PDUs. The customer can choose the location of the sticker in an available space on the unit or the rack. Adhere one to the side of a Rack PDU at your discretion to indicate the power feed direction (see [Figure 9](#)).

Colored wrapping labels are also included for use on the Rack PDU's input cord. If two G4 PDUs are in a rack and connected to different feeds, then two red and two blue wrapping labels will be available for each PDU. These wrapping labels could be placed near the plug as well as near the PDU.

Figure 9. Power Feed Labels



2.11 Installation and Mounting Buttons



NOTE

Only use the provided screws to mount the buttons.

The mounting buttons for 0U vertical Rack PDUs are factory installed. These pre-installed buttons are shoulder-style and are well-suited for all standard rack-mount applications. In particular it is designed to work well with Eaton rack enclosures with 11.5-12.5mm diameter slots and 1.5-2mm thick material, as well as TrippLite by Eaton 2-post and 4-post racks with 14mm diameter slots and 3mm thick material.

Additionally, the accessory kit includes two flush-style buttons. These buttons allow a PDU to be mounted so that it touches the mounting surface, thus saving some PDU depth. They are reversible, with one side designed for 1.5-2mm rack material thickness, and the other side designed for 3mm rack material thickness.

The screws for these buttons are flat-head, M4 x 10mm. Only the provided screws should be used to mount the buttons.

2.11.1 Installing Vertical Rack PDUs in a Rack Cabinet

Regardless of the configuration you choose, there are two mounting methods available for installing the Rack PDU vertically in a rack cabinet:

- Using factory-installed shoulder-style buttons on the Rack PDU to mount it in keyhole openings in the rack frame.

- Using flush-style buttons on the Rack PDU to mount it in the keyhole openings in the rack frame.

Review the installation methods described in this section and choose the method appropriate for your environment.

2.11.2 Using Factory-installed Mounting Buttons

To install the Rack PDU with the factory-installed shoulder-style mounting buttons:

1. Carefully move the Rack PDU into position against the rail.
2. Insert the top and bottom mounting buttons into the keyhole slots on the rack post that correspond with the position of the top and bottom mounting buttons.
3. Push down to secure the Rack PDU in position (see).



NOTE

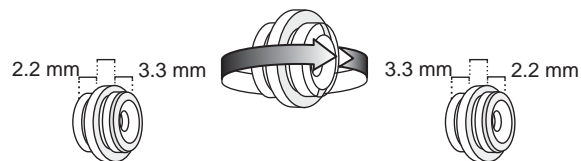
The Rack PDU will fit tight and it may require minor force to engage in the slot. This is a friction fit to hold the Rack PDU in the slot.

2.11.3 Using Flush-style Mounting Buttons

To install the Rack PDU with the flush-style mounting buttons from the accessory kit:

1. Unscrew and remove the factory-installed shoulder-style buttons.
2. Locate the flush buttons from the accessory kit.
3. Orient the flush buttons to either the 2mm or 3mm side depending on the rack material thickness.

Figure 10. Reversing the Mounting Buttons



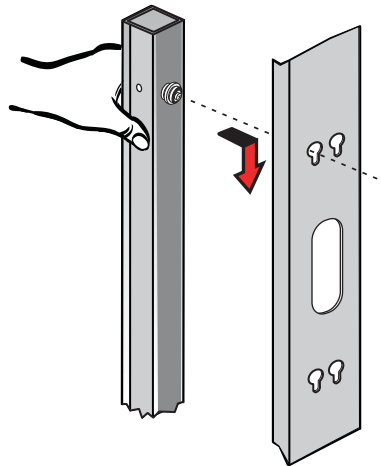
4. Secure the flush-style buttons to the Rack PDU using the provided screws.
5. Carefully move the Rack PDU into position against the rail.
6. Insert the top and bottom mounting buttons into the keyhole slots on the rack post that correspond with the position of the top and bottom mounting buttons.
7. Push down to secure the Rack PDU in position



NOTE

The Rack PDU will fit tight and it may require minor force to engage in the slot. This is a friction fit to hold the Rack PDU in the slot.

Figure 11. Securing the Rack PDU



2.11.4 Grounding the Rack to the Rack PDU

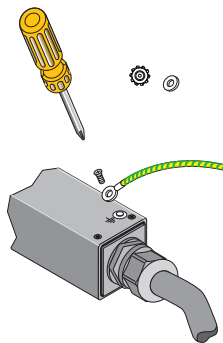


NOTE Grounding the Rack PDU is optional but recommended.

The Rack PDU is grounded through the input plug and an M6 ground screw is provided for auxiliary rack grounding. Conductors can be connected to the ground screw for functional grounding or bonding of ungrounded metal parts within the rack. The grounding screw is sized to safely conduct the fault current of the single largest output breaker. There is no paint on the screw or the chassis surface to ensure contact with bare metal instead of a painted surface. The ground symbol is marked in the chassis adjacent to the earth bonding screw.

To ground the Rack PDU, connect a grounding cable (not supplied) from earth to the grounding screw shown in [Figure 12](#). The internal diameter of the ground strap ring is M6 (6 mm).

Figure 12. Grounding Screw Location for 0U Vertical Models



2.12 Quick Start for Universal Input Rack PDU

Eaton Universal Input Rack PDUs are a highly versatile solution for meeting the challenges of powering today's IT equipment. These Rack PDUs feature a special input connector that can be used with a variety of cordsets, including 1-phase, 3-phase delta 208V, 3-phase wye 120/208V, and 3-phase wye 240/415V. The power rating of the PDU is based on the input cordset used, as detailed in [Table 3](#). These cordsets are sold and shipped separately from the PDU.

Step 1: Choose a CordSet

Cordsets should be selected via [Table 3](#) based on the required power for the rack system, and the available receptacle to plug into.

Only Eaton cordsets having a Regulatory Model beginning with "EZ1" should be used with Eaton's Universal Input Rack PDUs.

Step 2 : Change the PDU Cordset Connector Orientation (Optional)

⚠ CAUTION

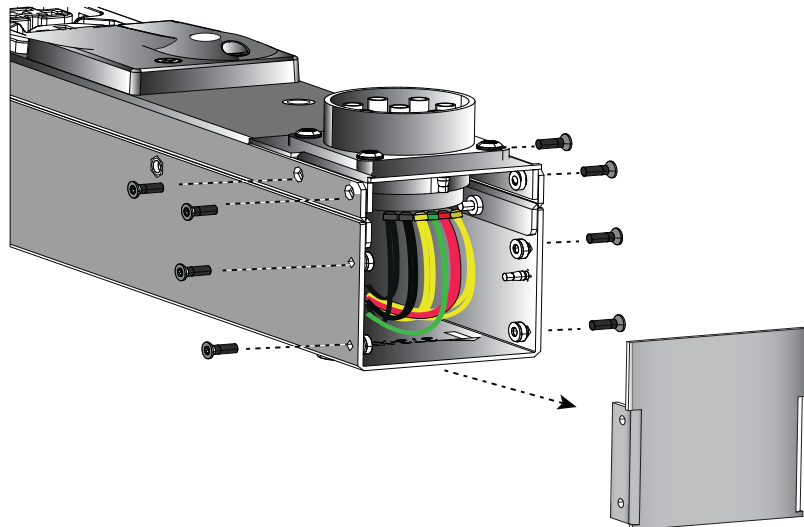
This PDU contains hazardous voltages. Eaton G4 PDU systems should only be installed, tested, and configured by a qualified electrical worker.

Disconnect the PDU input power plug from the installation power outlet to isolate the PDU prior to modifying the cordset connector orientation.

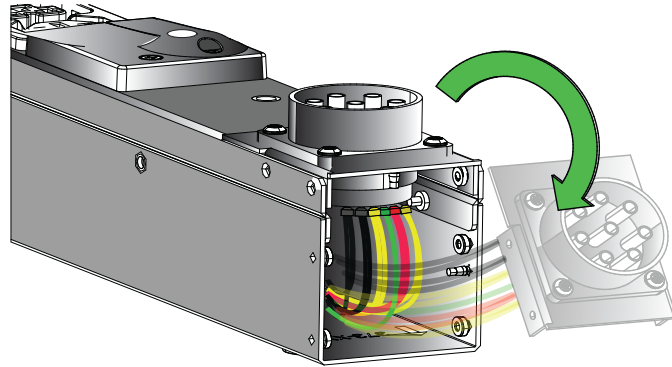
Some Eaton Universal Input Rack PDU models offer front/end access that can be easily modified to provide flexibility and support different PDU line cord installation orientations.

To change the Eaton Universal Input Rack PDU cordset connector orientation:

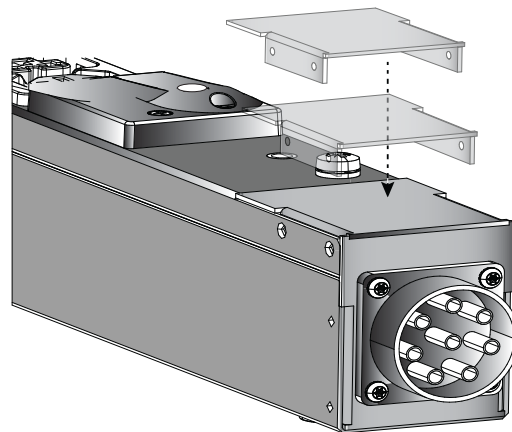
1. Remove the eight screws that hold the cordset connector and bottom assembly panel in place. Set the panel and the screws aside in a safe place.



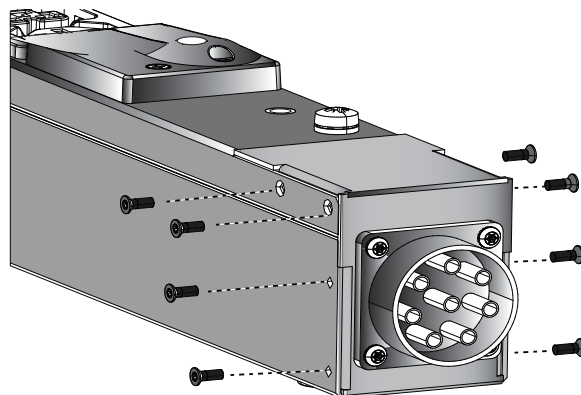
2. Gently pull, then rotate the cordset connector 90° ensuring that the screw holes in the PDU chassis line up with the cordset panel assembly.



3. Install the bottom assembly panel onto the PDU where the cordset assembly was initially located.



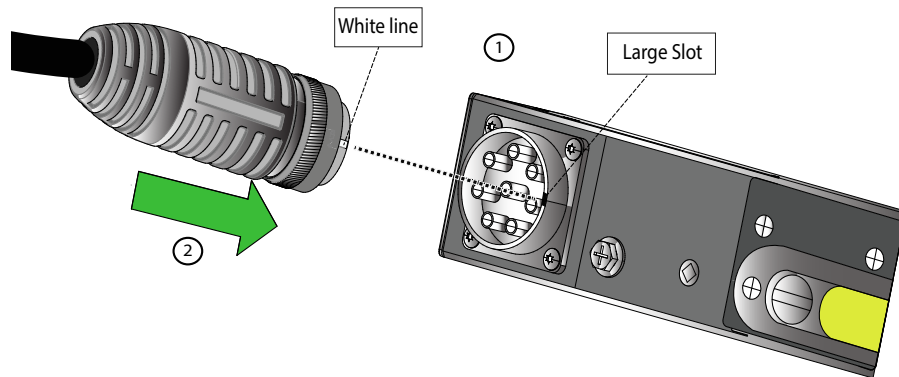
4. Reinstall the screws.



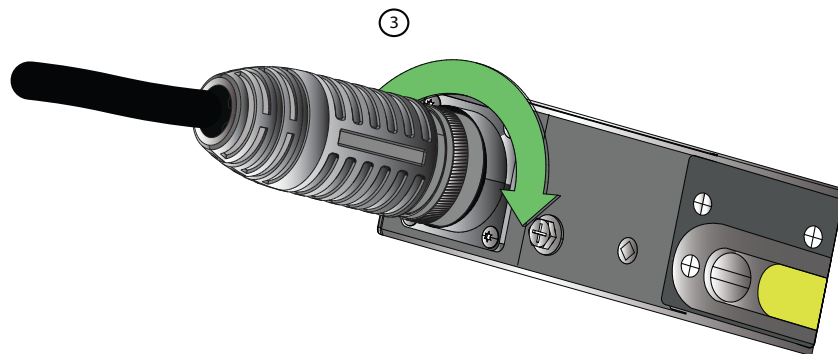
Step 3: Connect the CordSet to the PDU

To connect the cordset to the PDU:

1. Rotate the cordset connector until the white line aligns with the large slot on the PDU connector.
2. While keeping the cordset connector straight, insert the cordset connector as far as it will go into the PDU connector.

Figure 13. Align Cordset

3. Rotate the metal ring on the cordset connector clockwise to secure it to the PDU. Hand-tighten only.

Figure 14. Tighten CordSet**Step 4: Connect the Cordset to a Power Source**

Most cordsets have a plug, and they should be connected to a matching receptacle.

A few cordsets have pigtails. These can be wired directly into an electrical junction box or busway tap-off box. This connection must be performed by a qualified electrical worker in conformance with local electrical codes. Note that the PDU+cordset connector pair is rated by UL and IEC as a disconnect device.

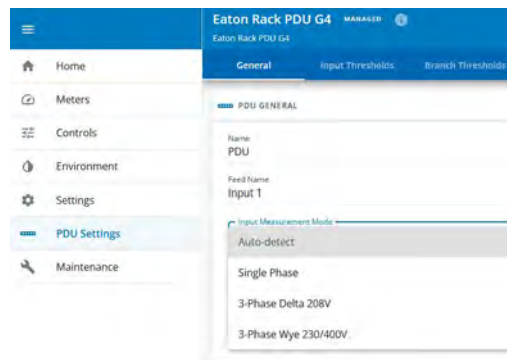
Step 4: Power-On and Configure the PDU

Apply power to the PDU.

For Universal Input PDUs with G4 network card, the PDU input measurement mode defaults to "Auto-detect". In some cases this detection may be incorrect, and the mode may need to be manually configured in order to have proper display of input measurements and alarms. Additionally, input current warning and critical thresholds will always need to be configured to match the rating of the input plug. This configuration is done using the following steps. See the communication quick-start for details on how to make a connection and log in.

To use the web interface:

1. On the PDU Settings webpage, click the General tab.
2. In the Input Measurement Mode box, choose the option based on the table below



3. Set the input current high warning and critical thresholds on the Input Thresholds tab to match the input plug and desired alarm levels.
4. Save the changes and reboot.

To use the SSH or serial interface:

1. Set the Power Input Mode using the following commands:

```
rest set /powerDistributions/1/inputs/1/settings/measurementMode "single phase"
```

```
rest set /powerDistributions/1/inputs/1/settings/measurementMode "three phase delta"
```

```
rest set /powerDistributions/1/inputs/1/settings/measurementMode "three phase wye"
```



NOTE

The Power Input Mode setting should be selected based on the cordset see [Table 3](#).

2. Reboot the PDU using the following command:

```
reboot
```

Table 3. CordSet Options

Part Number	Plug Type	Input Voltage	Power Input Mode	Current	Certifications	Regulatory Model
CBL350-10	NEMA L6-30P	1P, 200-240V	1-Phase	24A	cRUus	EZ1-MT3N
CBL351-10	NEMA L21-30P	3P Wye, 120/208V	3-Phase Delta 208V*	24A	cRUus	EZ1-PD4S
CBL352-10	IEC 60309 332P6, IP44	1P, 230V	1-Phase	32A	CE/IEC	EZ1-CH3B
CBL353-10	IEC 60309 516P6, IP44	3P Wye, 230/400V	3-Phase Wye 230/400V	16A	CE/IEC	EZ1-DA5D
CBL354-10	IEC 60309 332P6W, IP67	3P Wye, 240/415V	1-Phase	24A UL (32A CE)	cRUus, CE/IEC	EZ1-EJ3J
CBL355-10	IEC 60309 516P6W, IP67	3P Wye, 240/415V	3-Phase Wye 230/400V	16A	cRUus, CE/IEC	EZ1-FB5K
CBL356-06 CBL356-10	IEC 60309 460P9W, IP67	3P Delta, 208V	3-Phase Delta 208V	48A	cRUus	EZ1-FL4U
CBL357-10	Pigtails	3P Delta, 208V	3-Phase Delta 208V	55A (70A panel breaker)	cRUus	EZ1-4U
CBL358-10	IEC 60309 532P6W, IP67	3P Wye, 240/415V	3-Phase Wye 230/400V	24A UL (32A CE)	cRUus, CE/IEC	EZ1-FJ5L
CBL359-10	IEC 60309 532P6, IP44	3P Wye, 230/400V	3-Phase Wye 230/400V	32A	CE/IEC	EZ1-DH5E
CBL360-10	IEC 60309 560P6W, IP67	3P Wye, 240/415V	3-Phase Wye 230/400V	32A	cRUus	EZ1-FU5Y
CBL362-10	IEC 60309 360P6W, IP67	1P, 240V	1-Phase	48A	cRUus	EZ1-EL3Q
CBL363-10	IEC 60309 363P6, IP67	1P, 230V	1-Phase	63A	CE/IEC	EZ1-CQ3C
CBL364-06 CBL364-10	CS8365	3P Delta, 208V	3-Phase Delta 208V	40A	cRUus	EZ1-PH4U
CBL365-10	NEMA L15-30P	3P Delta, 208V	3-Phase Delta 208V	24A	cRUus	EZ1-PC4S
CBL366-10	IEC 60309 560P9W, IP67	3P Wye, 120/208V	3-Phase Delta 208V*	48A	cRUus	EZ1-FF4U
CBL367-10	NEMA L21-20P	3P Wye, 120/208V	3-Phase Delta 208V*	16A	cRUus	EZ1-PB4S
CBL368-10	NEMA L22-30P	3P Wye, 240/415V	3-Phase Wye 230/400V	24A	cRUus	EZ1-PK5L
CBL369-10	Pigtails	3P Wye, 240/415V	3-Phase Wye 230/400V	32A	cRUus	EZ1-5Y

* Note: While these plugs are 120/208V 3-Phase Wye, the neutral connection is not used in the cordset or PDU. The Input Power Mode should therefore be selected as 3-Phase Delta 208V.

2.13 Connecting the Output Devices

The Rack PDU outlets are available for connecting and monitoring devices such as workstations, servers, and switches. Connect a device you want to monitor to a power outlet on the Rack PDU with the power cord that comes with the device.

**NOTE**

You may find it useful to document the connections you make.

To connect your devices:

1. Verify that each circuit breaker is in the On position.
2. **For Rack PDUs with detachable power cords.** If the power cord is not connected, connect the power cord to the Rack PDU. Otherwise, go to Step 3.
3. Route the Rack PDU power cord toward a dedicated power source. If desired, use cable ties to secure the power cord as needed. If the power cord must exit the rack cabinet to connect to a power source, use the openings in the rack cabinet.

**NOTE 1**

Plug the Rack PDU into an appropriately rated outlet for its type.

NOTE 2

Do not replace or rewire the power cord.

4. Connect the power cord to a properly wired and grounded dedicated power source. The Rack PDU turns on and displays an Eaton startup screen while starting. After a period of inactivity, the LCD screensaver will begin cycling through different screens.
5. Connect your output devices to the outlets on the Rack PDU. Verify that each device is receiving power before connecting the next device.

**NOTE**

To avoid large surge currents, connect the protected equipment to the outlets individually rather than as a group. You may want to include a delay for Switched and Managed models when setting up groups of outlets to start at the same time to avoid a large in-rush current.

6. Route all power cords neatly. If desired, use cable ties to secure the cords.

Chapter 3 Service

3.1 Service and Support

If you have any questions or problems with the Eaton Enclosure Power Distribution Unit (Rack PDU) G4, call your **Local Distributor** or the **Help Desk** at one of the following telephone numbers and ask for an Rack PDU technical representative:

United States:	1-800-356-5737
Canada:	1-800-461-9166 ext 260
All other countries:	Call your local service representative

Please have the following information ready when you call for service:

- Model number
- Serial number
- Date of failure or problem
- Symptoms of failure or problem
- Customer return address and contact information

provides the Eaton catalog part number for ordering optional and spare parts for the Rack PDU. Contact your local service representative for more information.

Table 4. Optional and Spare Parts

Eaton Catalog Number	Optional or Spare Part	Americas/ APAC Market	EMEA/APAC Market	Description
EMPDT1H1C2	Optional	•	•	Eaton Environmental Monitoring Probe
SPK045	Spare Part	•	—	Rack PDU G4 Installation Spare Pack (Americas)
SPK040	Spare Part	•	—	Rack PDU G4 Replacement Communication Module
SPK049	Spare Part	•	•	Rack PDU G4 Flexible Mounting Brackets

3.2 Warranty

Please visit eaton.com/G4RackPDU to view the limited warranty for rackmount Rack PDUs.



P-164001156 1