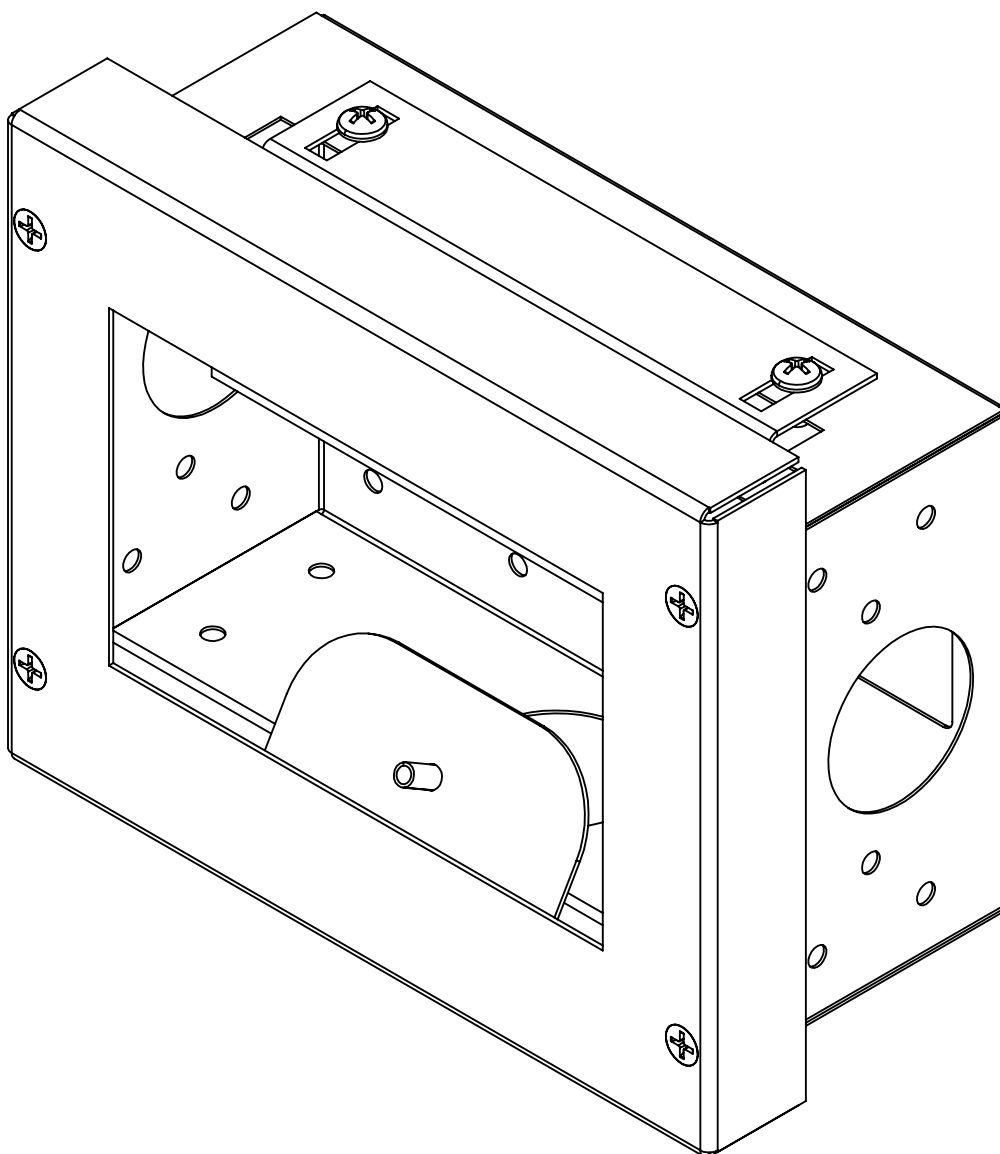




# Install Guide

---

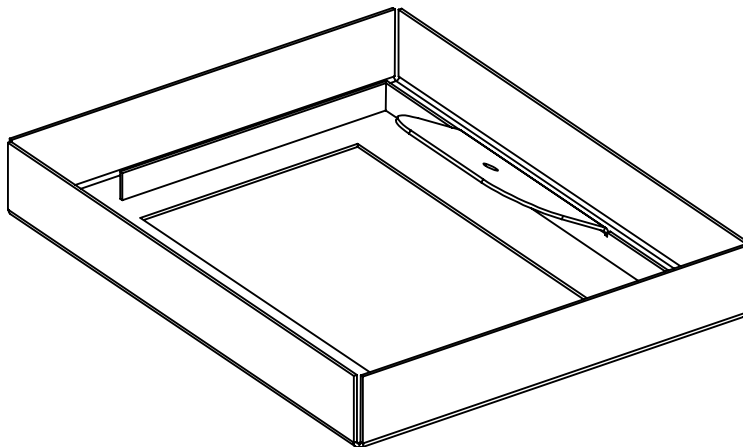
YMTOUCH-WMP



1

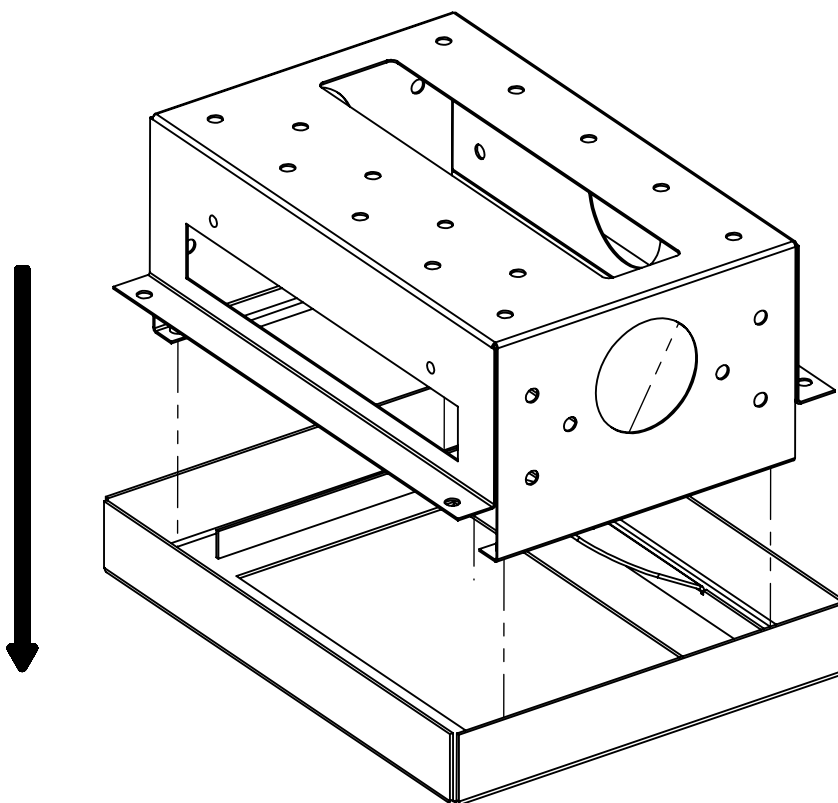
A) Place the face plate face down on a table.

B) Put the touch panel on the face plate with the bottom resting against the metal shelf.



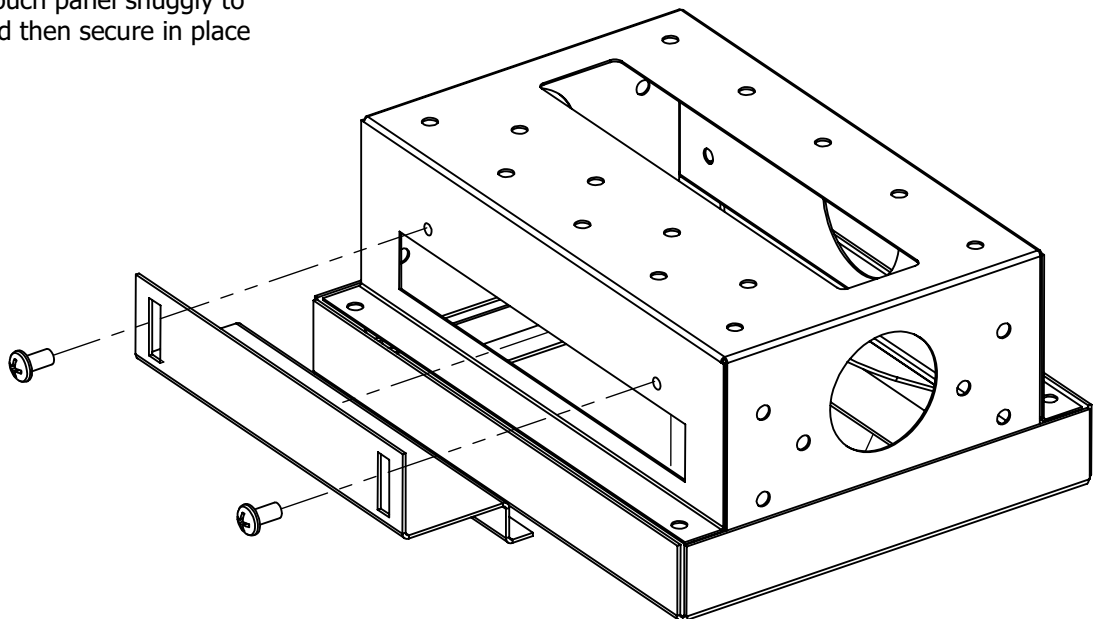
2

Place the wall box over the back of the face plate lining up the four holes on the faceplate.



3

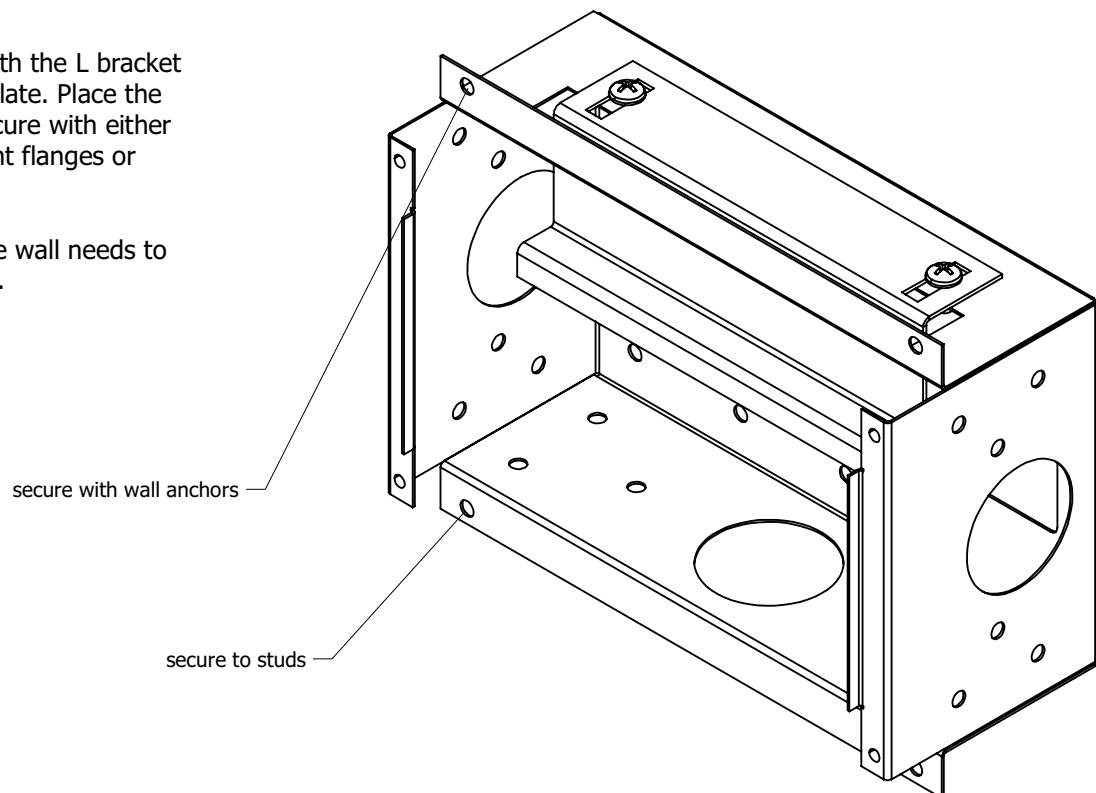
Place L bracket into the top of the wall box. Use the L bracket to secure the touch panel snugly to the front of the face plate and then secure in place with 1/4-20 screws provided.



4

Remove the wall box with the L bracket in place from the face plate. Place the wall box in the wall. Secure with either wall anchors on the front flanges or directly to a stud.

Note: The cutout for the wall needs to be 9.5" wide and 6" tall.



5

Slide the face plate into the wall box and secure with four 1/4-20 screws

