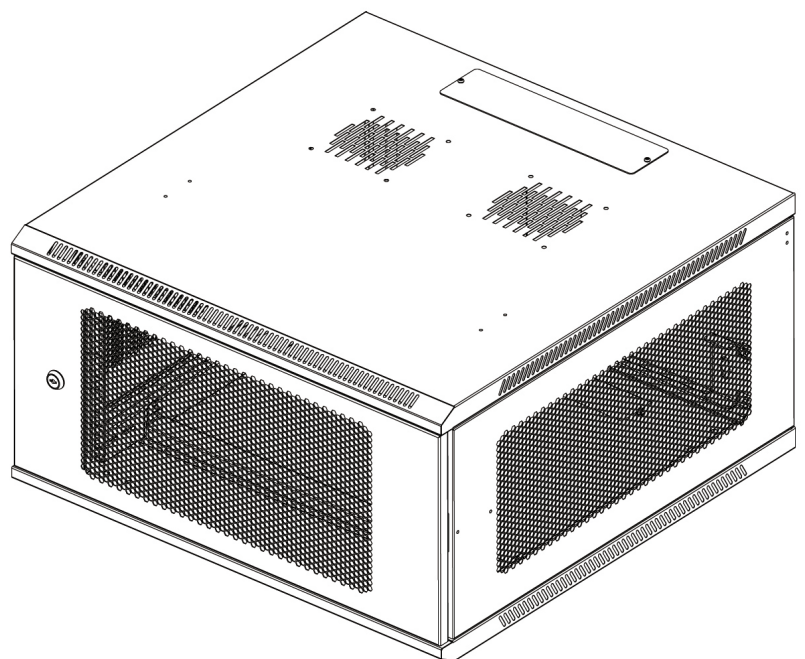


Wall Mount Enclosure



SAVE THESE INSTRUCTIONS

Please read this manual and follow the instructions for installation and use.

Table of Contents

Safety Instructions	1
Part Identification	2
Enclosure Components	2
Hardware and Accessories.....	2
Initial Enclosure Setup	3
Lock Front Door	3
Remove and Reverse Front Door.....	3
Relocate CyberPower Badge	4
Open Side Panels	5
Adjust Vertical Mounting Rails	5
Mounting Depth	5
Mounting Holes	6
Cable Access.....	7
Grounding	7
Enclosure Installation	8
Mounting on Wall	8
Equipment Installation	9
Mounting Using Square Holes	9

Safety Instructions

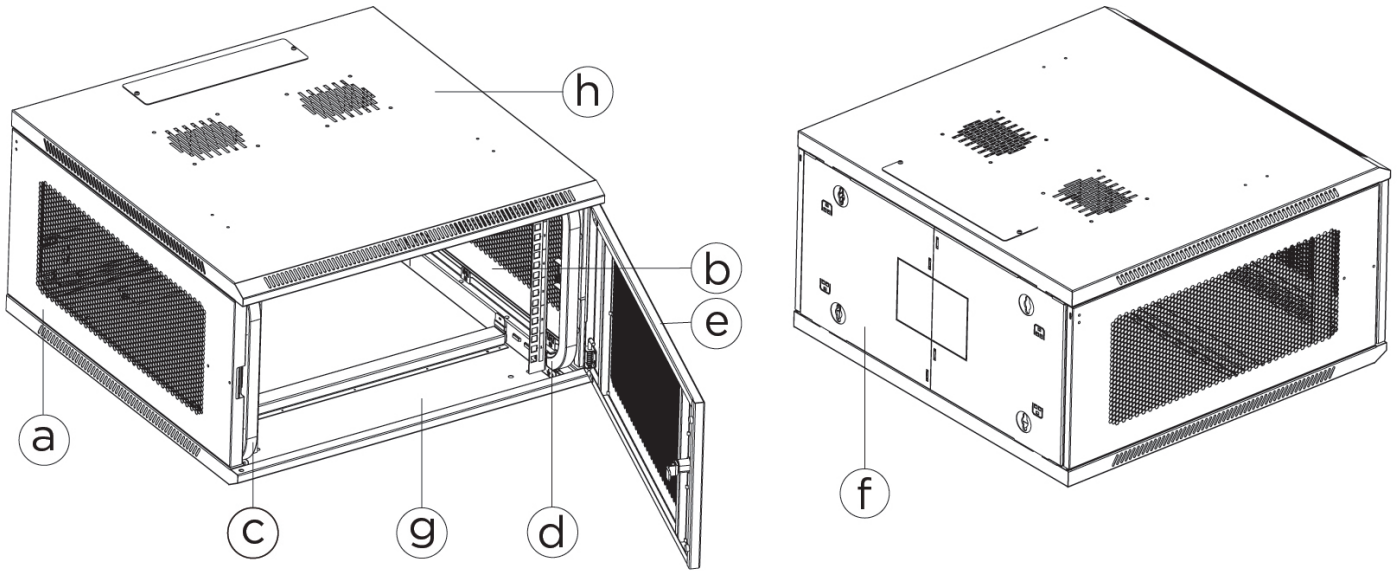


Please read these instructions carefully before use.

- The enclosure is a heavy object. Use of adequate mechanical means to move the enclosure to the desired location is highly recommended to minimize risk of injury or unit damage. For safety reasons, it is highly recommended to handle this unit between two or more people. Use caution when unpacking, moving, and installing the enclosure. Failure to follow may cause serious injury, or unit damage.
- Handle the unit with care. Take precautions to avoid damaging the enclosure when unpacking, moving, repacking, or installing. Damage to the unit as a result of negligence is not covered under warranty.
- Inspect the product and included accessories carefully before use. Do not use an enclosure with visible damage.
- Before installing the enclosure, ensure that the wall or the floor is even and capable of supporting the total load being installed in the enclosure, including the enclosure itself. Do not mount the enclosure to the wall with equipment installed in it.
- Do not stack enclosures and do not put any objects on the top of the enclosure.
- Keep the enclosure in an appropriately ventilated space, and do not block the surrounding of the enclosure to ensure proper ventilation.
- Install the enclosure in an indoor area free of dust, extreme moisture and temperature changes, away from flammable objects, conductive contaminants, and exposure to direct sunlight.
- Keep packaging materials if the enclosure will be reshipped. Do not ship the enclosure with any equipment installed. This can cause damage to the packaging material that can result in unit damage.
- The unique heavy duty steel tube frame supports 60 KG (132 lbs.) We have enhanced security and improved access with swing out side panels which can only be opened from the inside. The high density perforated front door is equipped with a sturdy lock to prevent unauthorized access.

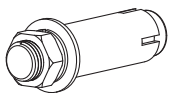
Part Identification

Enclosure Components



- a . Side panel LH
- b . Side panel RH
- c . Frame LH
- d . Frame RH
- e . Removable, Reversible, and Lockable Front Door
- f . Rear cover
- g . Bottom cover
- h . Top cover

Hardware and Accessories



Expansion Bolt (4)



Key (2)



M6 Phillips-Head Screw, Black (30)



M6 Cage Nuts (30)



Cup Washer (30)

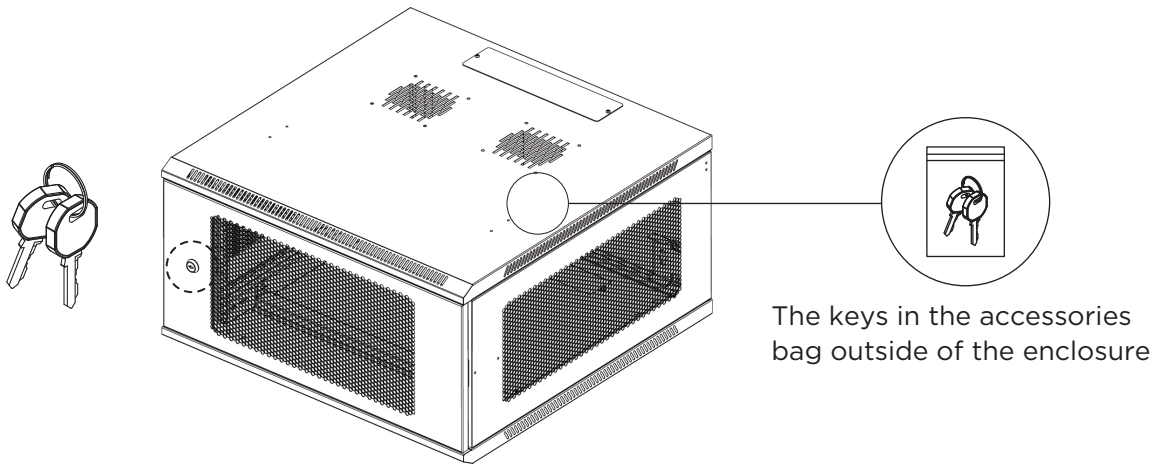
Initial Enclosure Setup

Lock Front Door

The lock location is shown below.

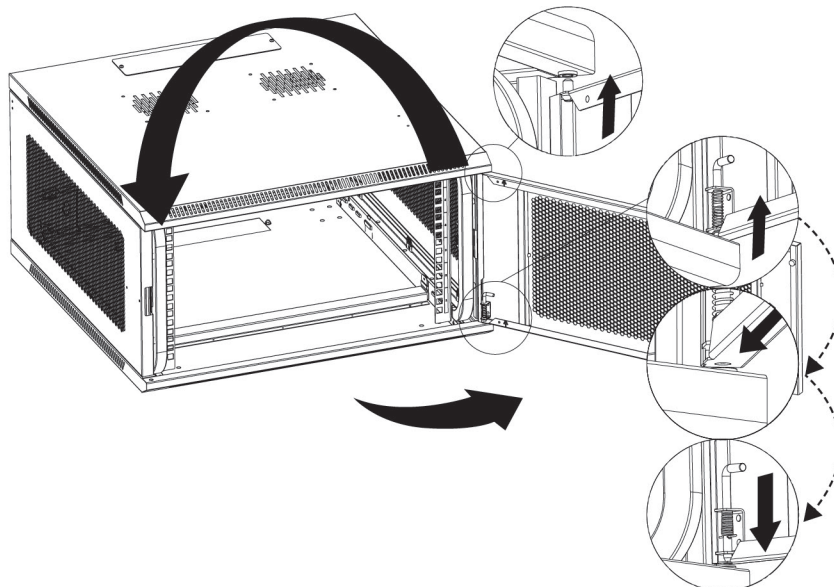
Use the included keys to operate the lock.

NOTE: The enclosure is shipped with the door locked. To access the keys in the accessories bag outside of the enclosure .

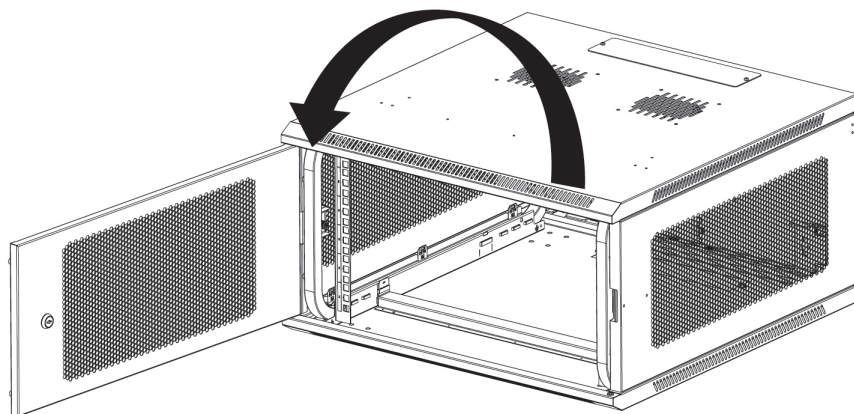


Optional Door Reversal

1. Pull on the spring-loaded door pin hinge as shown below to remove the door from the enclosure. Remove the door pin supporting washer from the bottom hinge and reinstall it on the opposite door pin hinge.

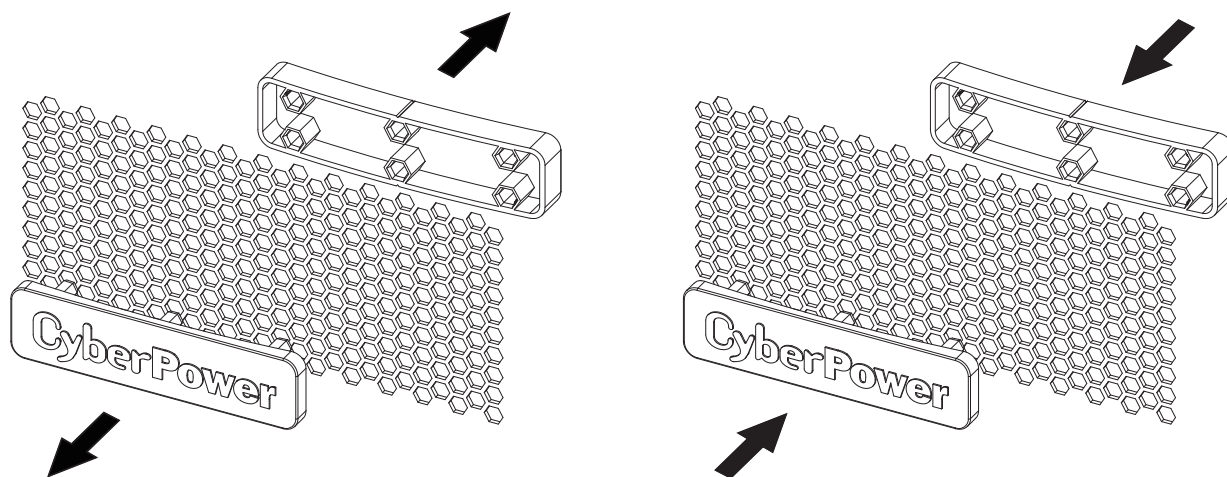


2. Rotate the front door and reinstall it on the opposite side sliding the door pin hinges into the hinge holes on the enclosure as shown below.



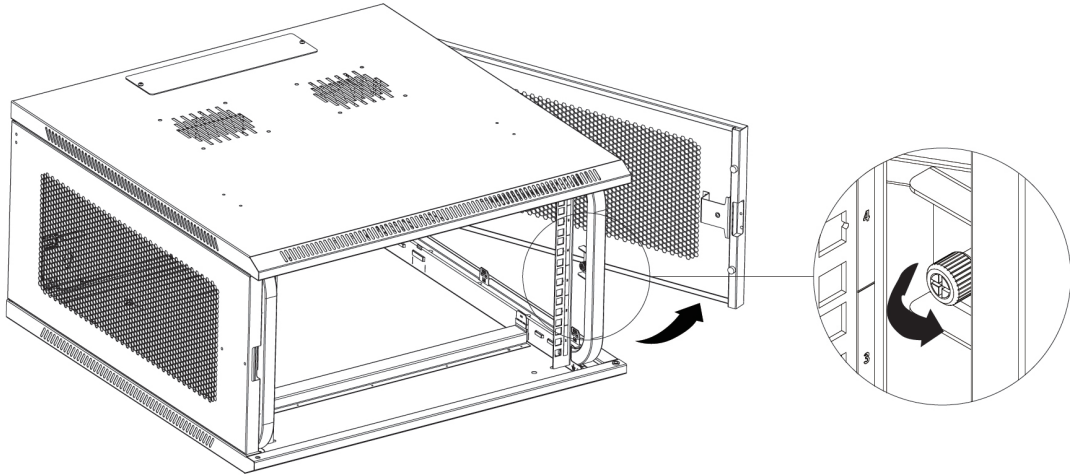
3. To relocate the CyberPower badge, pull the two parts apart as shown below. To re-install the badge measure the vertical and horizontal distance from the edge of the door as shown below and push both parts together.

NOTE: Please press hard to make sure the badge has been firmly installed



Open Side Panels

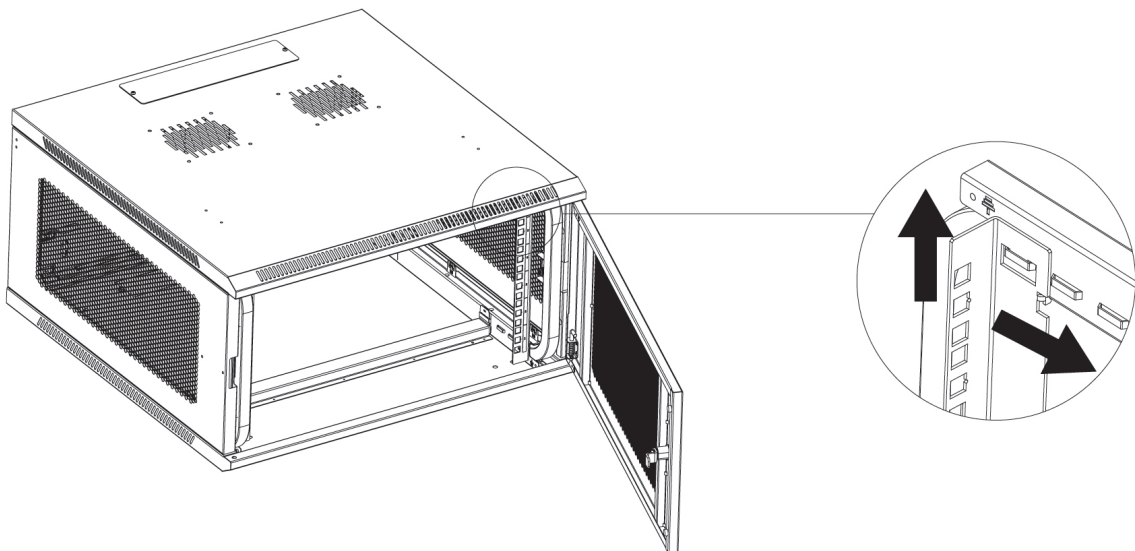
Press and turn left the retention screw simultaneously to release the side panel.



Adjusting Vertical Mounting Rails

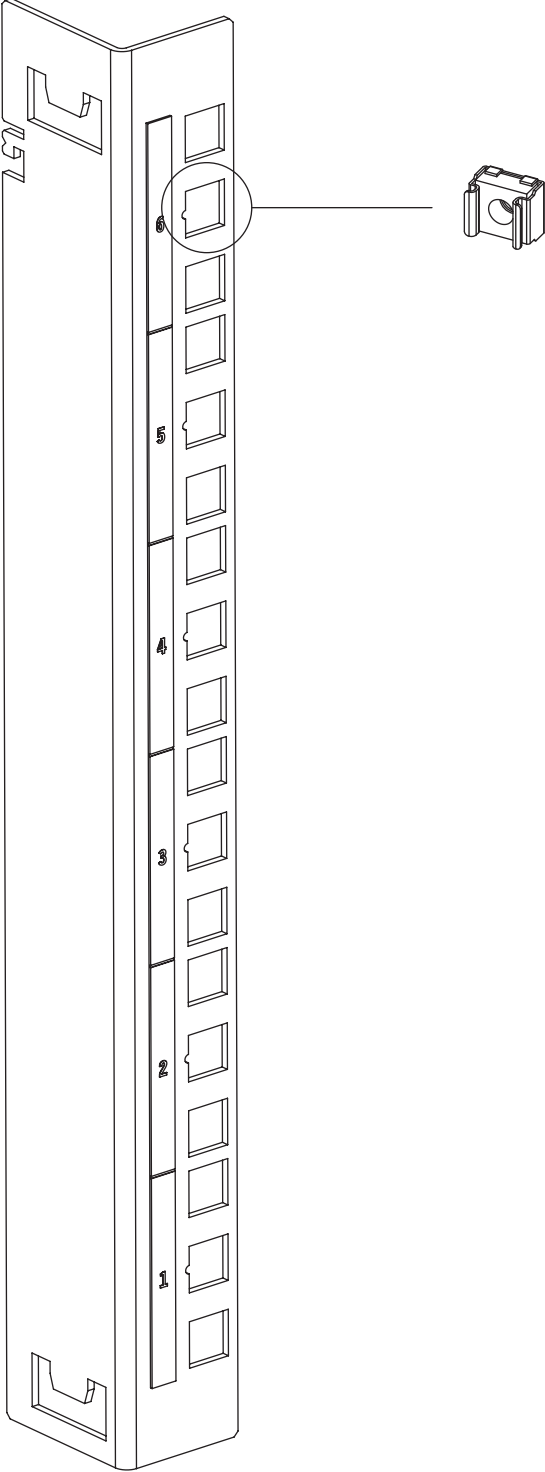
Mounting Depth

The installed depth of the vertical mounting rails can be adjusted by moving them forward or backward on the horizontal mounting rails.



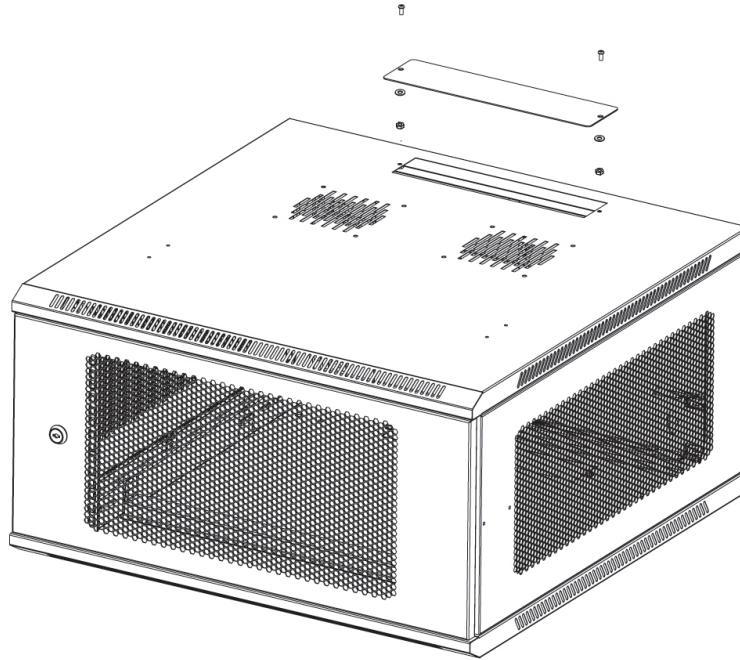
Mounting Holes

The vertical mounting rails have square holes for use with cage nuts as shown below.



Cable Access

Cables can be routed through the top or bottom cable openings of the enclosure. To access the cable opening, remove the two screws securing the cover as shown below.

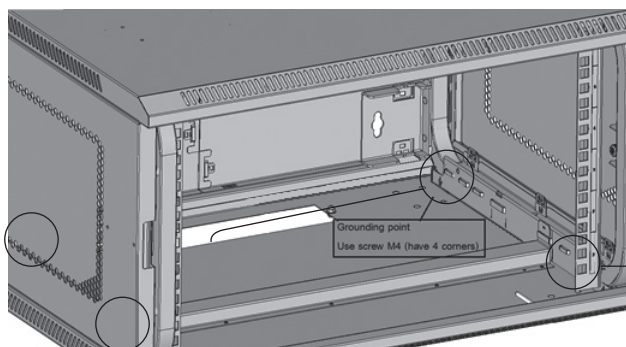


Grounding



An individual grounding connection per enclosure is strongly recommended. Failure to follow may result in serious injury or death.

To connect the enclosure to the facility's ground, use the M4 screw in the enclosure. The grounding point is marked in the enclosure with the ground symbol shown below.



Enclosure Installation



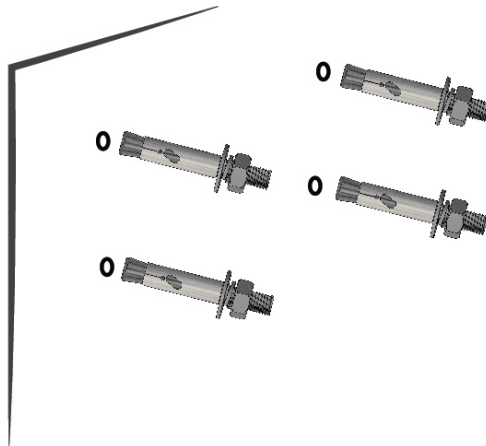
The enclosure is a heavy object. For safety reasons, it is highly recommended to handle this unit with two or more people. Failure to follow these instructions may cause serious injury, or unit damage.

Mounting on Wall

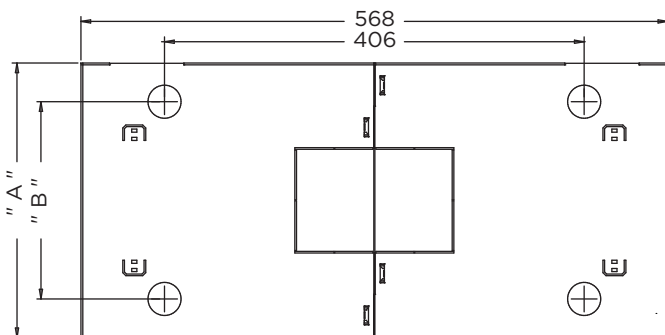


Before installing the enclosure make sure that the wall is capable of supporting the total load being mounted in the enclosure, including the enclosure itself. Make sure the enclosure is properly mounted to the wall before installing equipment in the enclosure. Do not mount the enclosure with equipment installed in it.

Use the included expansion bolts, or other appropriate mounting hardware, to mount the enclosure to the wall as shown below.



The horizontal distance between keyholes, center to center, is 15.9" (406mm). The vertical distance between keyholes varies by model heights. Measure the vertical distance of the unit being installed before mounting the enclosure.



DIMENSIONS		
Model	"A"	"B"
6U	317mm (12.48 inch)	190mm (7.48 inch)
9U	450.35mm (17.73 inch)	323.35mm (12.73 inch)
12U	583.7mm (22.98 inch)	456.7mm (17.98 inch)

Equipment Installation



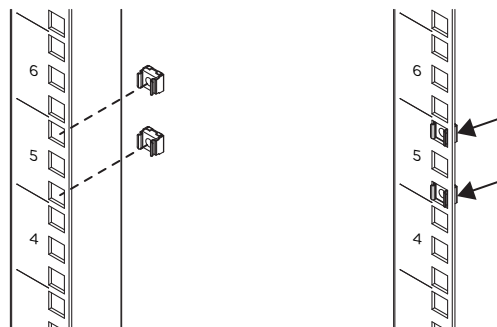
- Verify that the enclosure is securely mounted to the wall prior to installing any equipment.
- It is strongly recommended to first install equipment in the bottom of the enclosure. Heavier equipment should be installed in the bottom of the enclosure.
- If using sliding rails with installed equipment, use caution when pulling the equipment out of the enclosure as it can cause loading to shift and increase the hazard of tipping or failing. If multiple pieces of equipment use sliding rails only slide one piece of equipment out at once.

CyberPower's wall mount enclosures have square hole. Use the black cage nuts and black screws for square holes.

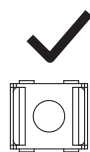
NOTE: Please review your equipment instructions carefully before installing in the enclosure

Mounting Using Square Holes and Cage nuts

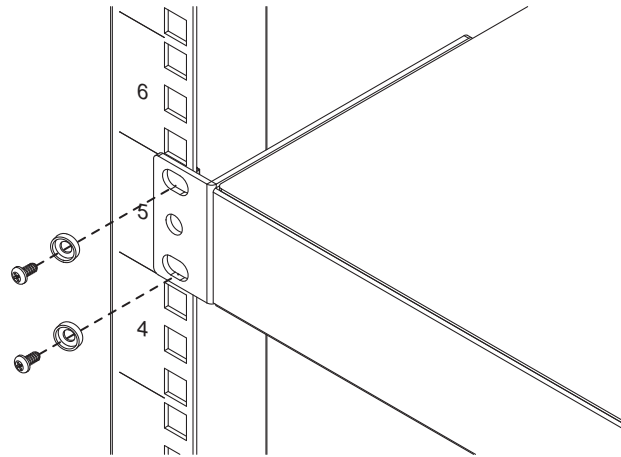
1. Install the included black M6 cage nuts from the back of the vertical mounting rails as shown below, and press the sides of the cage nuts to make sure they have been inserted properly.



To ensure proper and secure installation, cage nuts need to be installed horizontally as shown below. Installing cage nuts in the incorrect orientation can cause injury or equipment damage.



2. Install the equipment by screwing the included black M6 screws and cup washers into the cage nuts as shown below.



For warranty and additional information, please visit: www.CyberPowerSystems.com.

CyberPower[®]

Cyber Power Systems (USA), Inc.

www.cyberpower.com

For USA and Canada:

4241 12th Ave East, Suite 400

Shakopee, MN 55379

Toll-free: 1-877-297-6937

For all other regions:

Please visit our website for local contact information.